

# PARTS CATALOG

## DISK PLOW/MOLDBOARD PLOW/TERRACING PLOW

AAH<sup>2</sup> 4/5

Code: 0501092130



Series: S-0406

Rev.: 00

Date Rev.: FEVEREIRO/2018

ORIGINAL PARTS  
TATU



# PRODUCTS

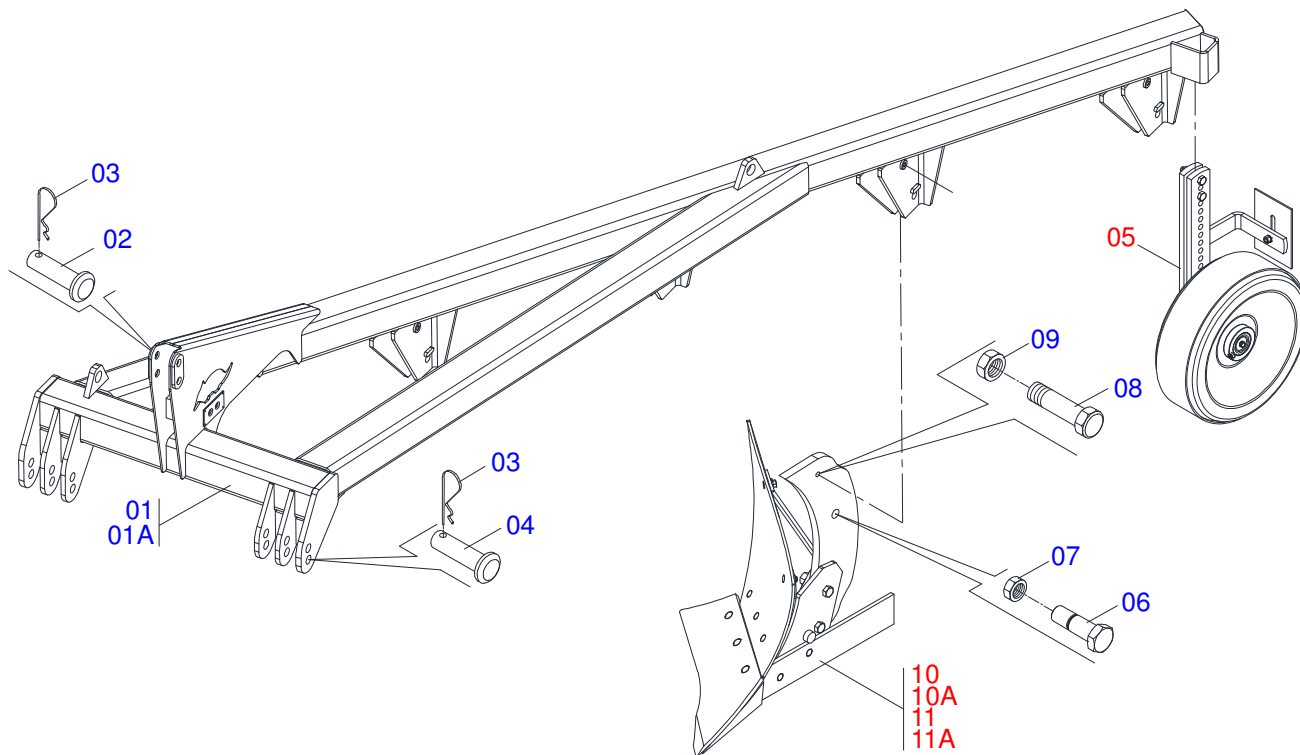
Code	Description
0101100002	AAH2 4 LISA C/R C/REVEST S406
0101100130	AAH2 4 LISA S/R S/REVEST S406
0101100017	AAH2 4 LISA S/R C/REVEST S-0406
0101100132	AAH2 5 LISA C/R C/REVEST S406
0101100131	AAH2 5 LISA C/R S/REVEST S406
0101100128	AAH2 5 LISA S/R S/REVEST S406
0101100021	AAH2 5 LISA S/R C/REVEST S-0406

## ATTENTION: **IMPORTANT**

MARCHESAN S/A RESERVES THE RIGHT AT ANY TIME TO MAKE IMPROVEMENTS IN THE DESIGN, MATERIAL OR SPECIFICATIONS OF MACHINERY, EQUIPMENT OR PARTS WITHOUT THEREBY BECOMING LIABLE TO MAKE SIMILAR CHANGES IN MACHINERY, EQUIPMENT OR PARTS PREVIOUSLY SOLD.

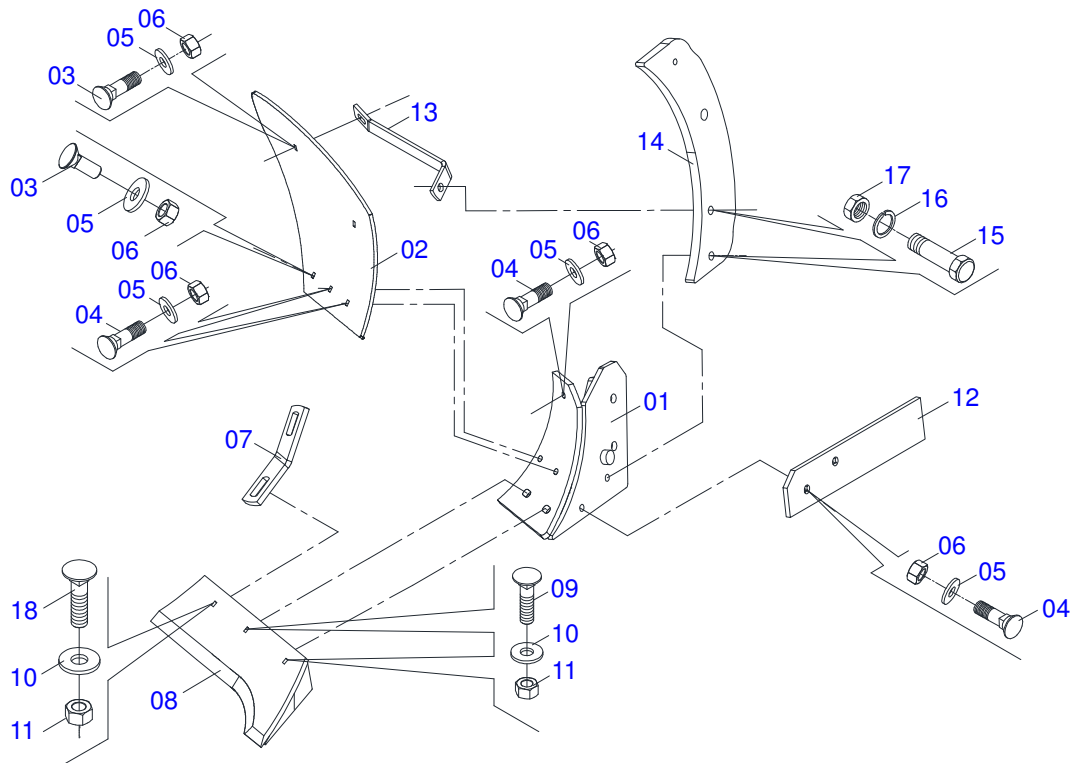
# INDEX

0909093702	AAH2	.....	1
0501044475	REAR FLAT MOLDBOARD ASSY	.....	2
0501044474	FRONT FLAT MOLDBOARD ASSY	.....	3
0501046317	REAR FLAT MOLDBOARD ASSY	.....	4
0501046316	FRONT FLAT MOLDBOARD ASSY	.....	5
0501042396	DEPTH WHEEL ASSY	.....	6



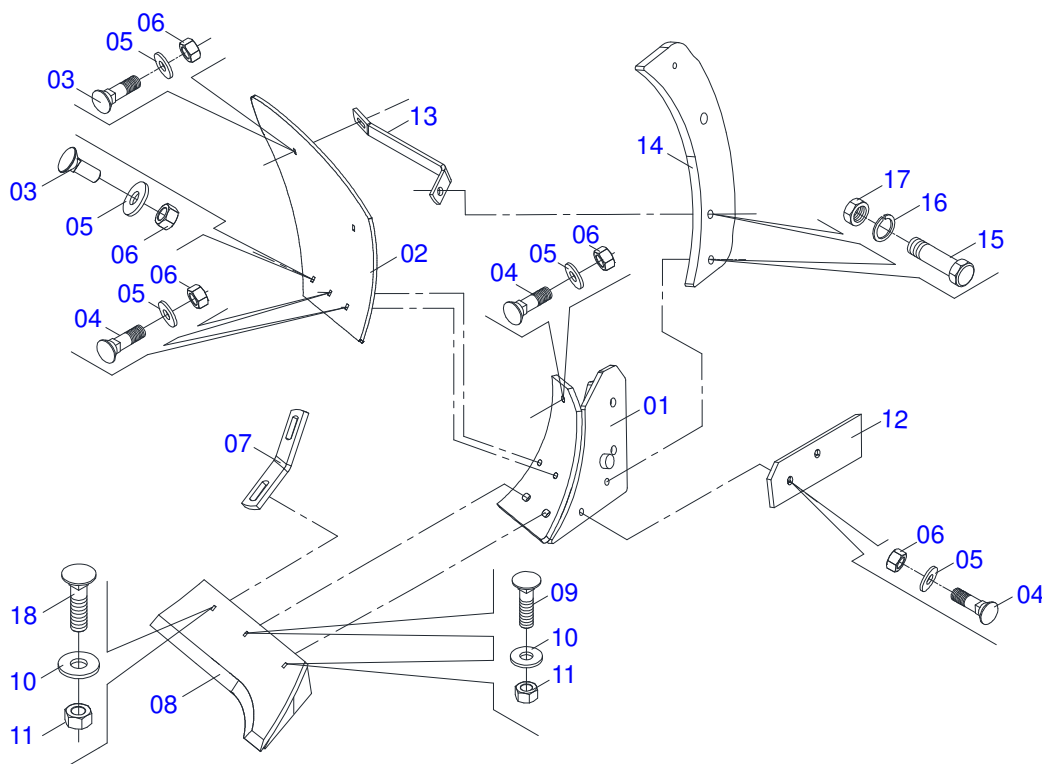
Item	Code	Description	See page	04 05
01	0511067714	FRAME		01 00
01A	0511067665	FRAME		00 01
02	0521010580	COUPLING SHAFT		01 01
03	0503031035	HAIR PIN		03 03
04	0521010596	COUPLING SHAFT		02 02
05	0501042396	DEPTH WHEEL ASSY	6	01 01
06	0551011551	FORK FIXER AAH2		04 05
07	0503014182	SELF-ADJUSTING NUT		04 05
08	0503010752	1/2" X 3.1/2" BOLT		04 05
09	0503010060	1/2" NUT		04 05
10	0501046316	FRONT FLAT MOLDBOARD ASSY	5	04 05
10A	0501046317	REAR FLAT MOLDBOARD ASSY	4	04 05
11	0501044474	FRONT FLAT MOLDBOARD ASSY	3	04 05
11A	0501044475	REAR FLAT MOLDBOARD ASSY	2	04 05

REAR FLAT MOLDBOARD ASSY



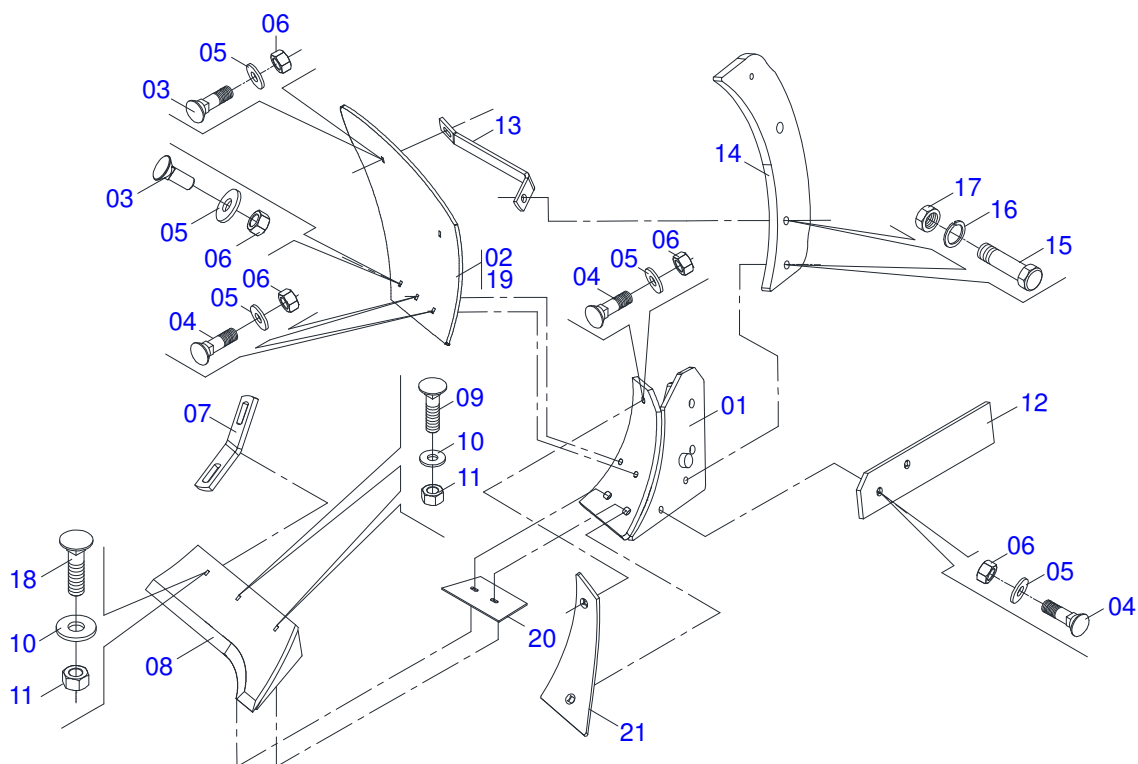
Item	Code	Description	See page	QT
01	0511067684	SUPPORT MOLDBOARD		01
02	0629010006	WING MOLDBOARD		01
03	0503011426	7/16" X 1-1/4" BOLT		02
04	0503011199	7/16" X 1-1/2" BOLT		05
05	0501012803	FLAT WASHER		07
06	0503010244	7/16" NUT		07
07	0511014101	125 X 32 X 6,30 FIXER		01
08	0629013501	SHEAR POINT		01
09	0503014193	1/2" BSW X 2" BOLT		02
10	0511017302	FLAT WASHER		03
11	0503012682	1/2" BSW NUT		03
12	0622380014	POINT		01
13	0511013715	17" ATTACHMENT BAR		01
14	0521010381	ARM AAH		01
15	0503010901	3/4UNC 3.1/2 BOLT		02
16	0503011442	3/4" SPRING WASHER		02
17	0503010014	3/4" NUT		02
18	0503012956	1/2" X 1-1/2" BOLT		01

FRONT FLAT MOLDBOARD ASSY



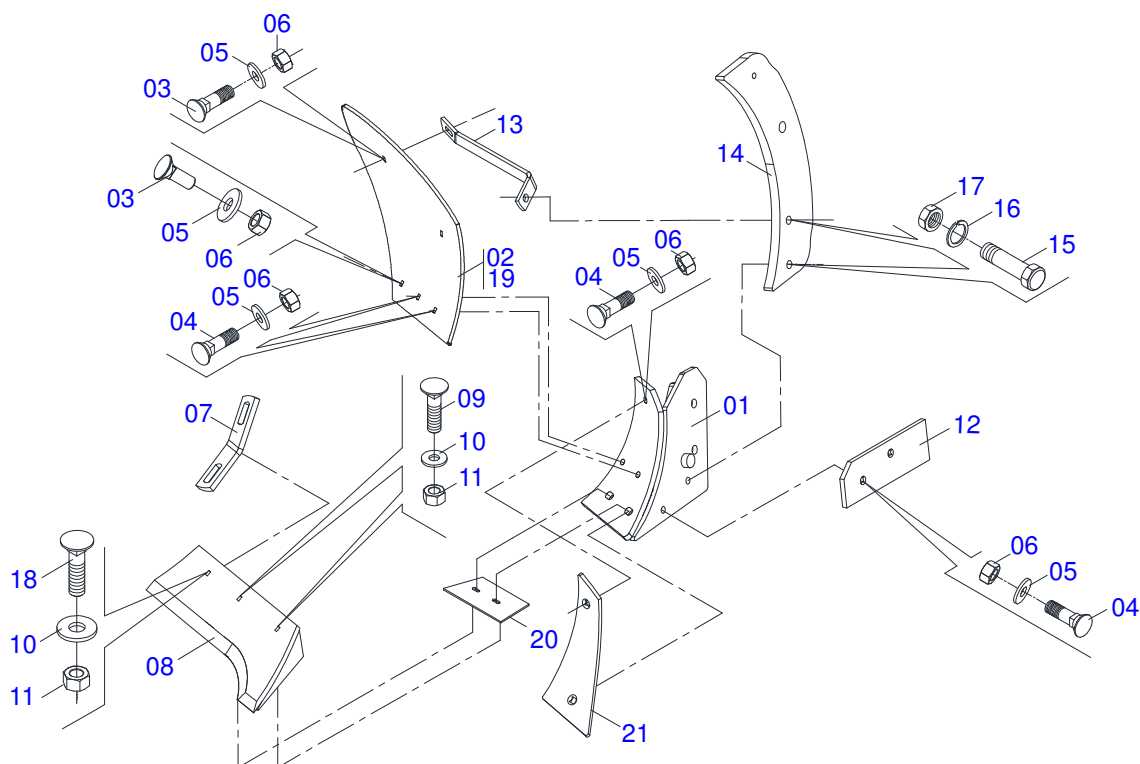
Item	Code	Description	See page	QT
01	0511067684	SUPPORT MOLDBOARD		01
02	0629010006	WING MOLDBOARD		01
03	0503011426	7/16" X 1-1/4" BOLT		02
04	0503011199	7/16" X 1-1/2" BOLT		05
05	0501012803	FLAT WASHER		07
06	0503010244	7/16" NUT		07
07	0511014101	125 X 32 X 6,30 FIXER		01
08	0629013501	SHEAR POINT		01
09	0503014193	1/2" BSW X 2" BOLT		02
10	0511017302	FLAT WASHER		03
11	0503012682	1/2" BSW NUT		03
12	0622380014	POINT		01
13	0511013715	17" ATTACHMENT BAR		01
14	0521010381	ARM AAH		01
15	0503010901	3/4UNC 3.1/2 BOLT		02
16	0503011442	3/4" SPRING WASHER		02
17	0503010014	3/4" NUT		02
18	0503012956	1/2" X 1-1/2" BOLT		01

REAR FLAT MOLDBOARD ASSY



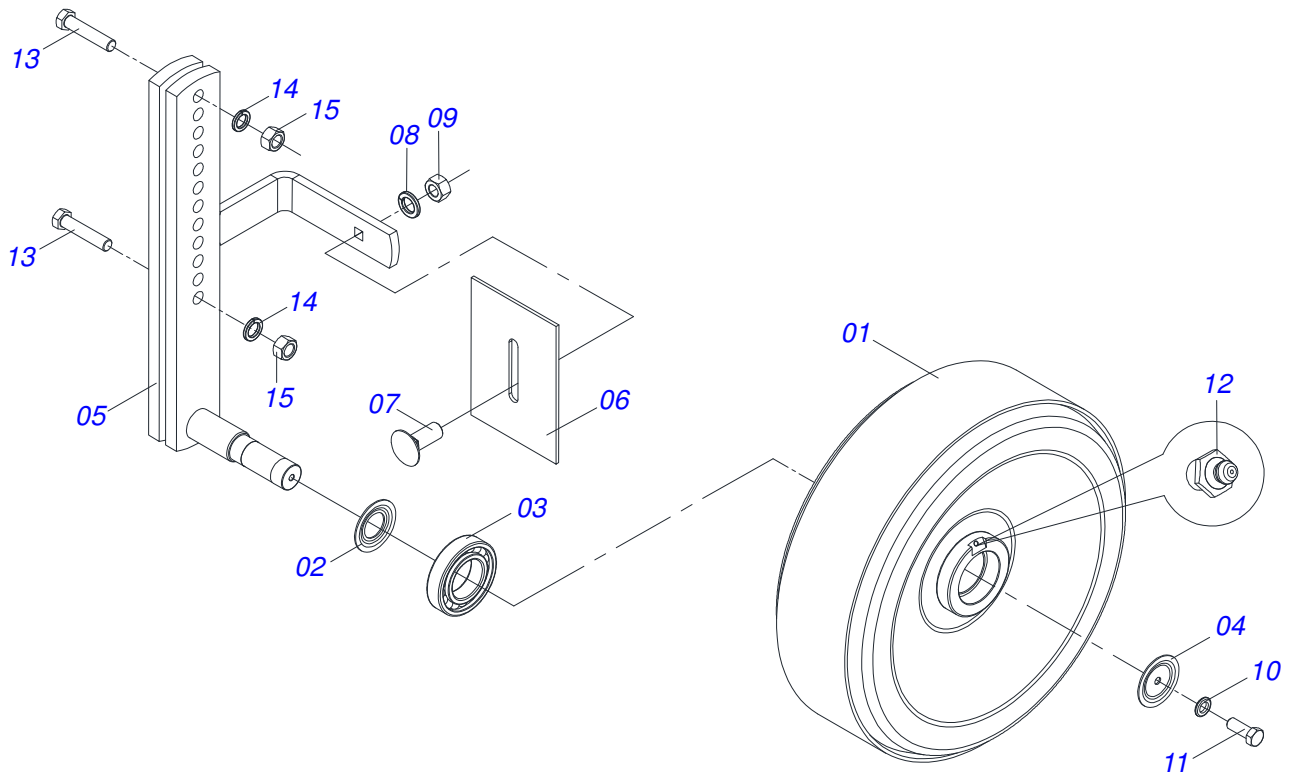
Item	Code	Description	See page	QT
01	0511067684	SUPPORT MOLDBOARD		01
02	0629010008	WING MOLDBOARD		01
03	0503011426	7/16" X 1-1/4" BOLT		02
04	0503011199	7/16" X 1-1/2" BOLT		05
05	0501012803	FLAT WASHER		07
06	0503010244	7/16" NUT		07
07	0511014101	125 X 32 X 6,30 FIXER		01
08	0629013501	SHEAR POINT		01
09	0503014193	1/2" BSW X 2" BOLT		02
10	0511017302	FLAT WASHER		03
11	0503012682	1/2" BSW NUT		03
12	0622380014	POINT		01
13	0511013715	17" ATTACHMENT BAR		01
14	0521010381	ARM AAH		01
15	0503010901	3/4UNC 3.1/2 BOLT		02
16	0503011442	3/4" SPRING WASHER		02
17	0503010014	3/4" NUT		02
18	0503012956	1/2" X 1-1/2" BOLT		01
19	0511015828	PLASTIC LINING		01
20	0511015831	CHOCK SHEAR POINT		01
21	0629012004	WING COMPLEMENT		01

FRONT FLAT MOLDBOARD ASSY



Item	Code	Description	See page	QT
01	0511067684	SUPPORT MOLDBOARD		01
02	0629010008	WING MOLDBOARD		01
03	0503011426	7/16" X 1-1/4" BOLT		02
04	0503011199	7/16" X 1-1/2" BOLT		05
05	0501012803	FLAT WASHER		07
06	0503010244	7/16" NUT		07
07	0511014101	125 X 32 X 6,30 FIXER		01
08	0629013501	SHEAR POINT		01
09	0503014193	1/2" BSW X 2" BOLT		02
10	0511017302	FLAT WASHER		03
11	0503012682	1/2" BSW NUT		03
12	0629011016	POINT		01
13	0511013715	17" ATTACHMENT BAR		01
14	0521010381	ARM AAH		01
15	0503010901	3/4UNC 3.1/2 BOLT		02
16	0503011442	3/4" SPRING WASHER		02
17	0503010014	3/4" NUT		02
18	0503012956	1/2" X 1-1/2" BOLT		01
19	0511015828	PLASTIC LINING		01
20	0511015831	CHOCK SHEAR POINT		01
21	0629012004	WING COMPLEMENT		01





Item	Code	Description	See page	QT
01	0501063799	WHEEL	01	01
02	0501017454	2.8" X 1.4" X 0.75" DUST CLOAK	02	02
03	0503010816	6207 RS ROLLER BEARING	01	01
04	0501017455	2.8" X 0.4" X 0.75" DUST CLOAK	01	01
05	0501066364	DEPTH WHEEL ARM	01	01
06	0501013138	SCRAPER	01	01
07	0501011600	1/2" X 1-1/4" BOLT	01	01
08	0503011440	SPRING WASHER	01	01
09	0503812682	NUT (BSW)	01	01
10	0503011443	SPRING WASHER	01	01
11	0503010237	3/8" X 1" BOLT	01	01
12	0503010002	1800 GREASE FITTING	01	01
13	0501011541	5/8" X 3" BOLT	02	02
14	0503010027	SPRING WASHER	02	02
15	0503010013	5/8" NUT	02	02





**MARCHESAN IMPLEMENTOS E MÁQUINAS AGRÍCOLAS TATU S.A.**

AV. Marchesan, 1979 - Post office box, 131 - CEP 15994-900 - Matão - SP - Brazil

Phone +55 16.3382-8282

(FAX Parts) + 55 16.3382. 8297 - (Export) + 55 16.3382.1003

e.mail: [tatu@marchesan.com.br](mailto:tatu@marchesan.com.br) [www.marchesan.com.br](http://www.marchesan.com.br)

**Technical Publications: Elaboration**

MARINA PEREZ NIZA

**Technical Publications: Revision**

JOSÉ DOMINGOS GASPARI

*Contact Catálogo:*

*E-mail = [jgaspari@marchesan.com.br](mailto:jgaspari@marchesan.com.br)*

**ORIGINAL PARTS  
TATU**

