

OFFSET DISK HARROW

GCRO 2240 (AXLE 1.5/8") ARTICULATED 52-56-60 DISCS

Code: 0501092123
Series: S-0498
Revision: 00
Date Revision: FEVEREIRO/2018

PARTS CATALOGUE



MARCHESAN



PRODUCTS

Code	Description
0102560053	GCRO 2240 52X26X6 DMMT ESPEC S-0498
0102560049	GCRO 2240 52X26X6,00 DM DR S-0498
0102560050	GCRO 2240 52X26X7,50 DM DR S-0498
0102560054	GCRO 2240 52X28X6 DMMT ESPEC S-0498
0102560051	GCRO 2240 52X28X6,00 DM DR S-0498
0102560055	GCRO 2240 52X28X7,5 DM DR ESPEC S498
0102560052	GCRO 2240 52X28X7,50 DM DR S-0498
0102560056	GCRO 2240 52X30X7,5 DM MT ESPEC S498
0102560058	GCRO 2240 56 X 26 X 7,5 DM DR S0498
0102560059	GCRO 2240 56 X 28 X 6,0 DM DR S0498
0102560060	GCRO 2240 56 X 28 X 7,5 DM DR S0498
0102560061	GCRO 2240 56X26X6 DM MT ESPEC S0498
0102560063	GCRO 2240 56X28X6 DM MT ESPEC S0498
0102560062	GCRO 2240 56X28X6 DMDR S/PNC/ETS498
0102560064	GCRO 2240 56X28X7,5 DMMT ESPEC S498
0102560073	GCRO 2240 56X28X7,5DM DR ESPEC S498
0102560065	GCRO 2240 56X30X7,5 DMMT ESPEC S498
0102560082	GCRO 2240 56X30X7,50DM DR FF S0498
0102560081	GCRO 2240 56X30X7,5DMDR ESPEC S0498
0102560066	GCRO 2240 60 X 26 X 6,0 DM DR S0498
0102560067	GCRO 2240 60 X 28 X 6,0 DM DR S0498
0102560068	GCRO 2240 60 X 28 X 7,5 DM DR S0498
0102560069	GCRO 2240 60X26X7,5 DMMT ESPEC S498
0102560071	GCRO 2240 60X28X7,5 DMMT ESPEC S498
0102560070	GCRO 2240 60X28X7,5DM DR ESPEC S498
0102560072	GCRO 2240 60X30X7,5DM DR ESPEC S498
0102560125	GCRO 2240 60X30X7,5DM MT ESPEC S498

ATTENTION: IMPORTANT

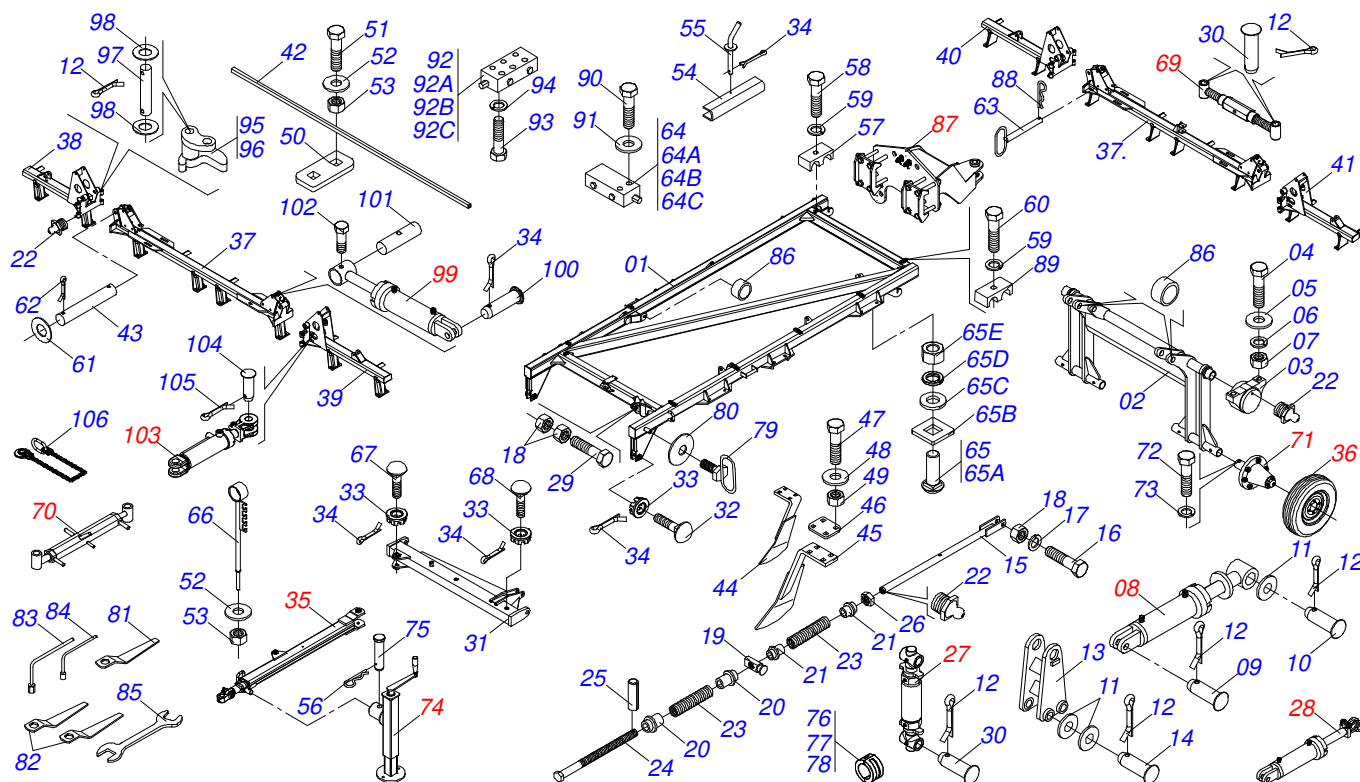
Marchesan S.A. reserves the right to improve and/or modify the technical features of its products, without obligation to do the same with those products already sold and without prior knowledge of the dealer or the customer. The photos are only illustrative.



MARCHESAN

INDEX

0909093716	52/56/60D - FRAME ASSY	1
0511050166	50,80 X 101,60 X 561 X 251 HYDRAULIC CYLINDER	2
0501053304	R.13/4 TURNBUCKLE	3
0501048061	DRAWBAR ASSY	4
0503060414	WHEEL AND TIRE	5
0501052005	STABILIZER FOR GANG	6
0501051880	STABILITY FULL DRAWBAR	7
0501055263	CARRYING-WHEELS	8
0511048088	DRAWBAR JACK	9
0909092741	REAR COUPLING KIT	10
0511050167	50,8 X 101,6 X 800 X 400 HIDRAULIC CYLINDER	11
0511058452	38,10 X 63,50 X 455 X 154 GCRO 2240 52/56 HYDRAULIC CYLINDER	12
0909093718	FRONT / REAR CENTER DISC SECTION	13
0909093719	SECTION BLADES FRONT RIGHT / LEFT SIDE	14
0909093720	LEFT SIDE REAR DISC SECTION	15
0909093721	SECTION DISCS REAR RIGHT SIDE	16
0501048457	262MM X 1.5/8" RD OIL BATH BEARING	17
0511048375	DMO 262 EIX 1.5/8"MM BEARING COVER / SUPPORT	18
0909093722	HYDRAULIC CIRCUIT	19
0511043626	HYDRAULIC CYLINDER 44,45 X 76,20 X 415 X 100	20
0501053834	MALE QUICK COUPLER	21
0501053835	FEMALE QUICK COUPLER	22



Item	Code	Description	See page	052	056	060
001	0501069409	CENTER FRAME GCRO 2240 44 A 56		001	001	001
002	0511067337	CARRYING-WHEEL FIXATION SUPPORT		001	001	001
003	0502010972	ARTICULACION BEARING		002	002	002
004	0503011432	BOLT		004	004	004
005	0501010065	1" SPRING WASHER		004	004	004
006	0503010012	1" SPRING WASHER		004	004	004
007	0501010059	1.5/8 NUT		004	004	004
008	0511050166	50,80 X 101,60 X 561 X 251 HYDRAULIC CYLINDER 2		002	002	002
009	0521012538	1.2" X 3.5" COUPLING SHAFT		002	002	002
010	0521810547	JUNCTION AXIS		002	002	002
011	0501017779	32 X 60 X 4.75 FLAT WASHER		004	004	004
012	0503010523	1/4" X 2" SPLIT PIN		006	006	006
013	0501064760	ROCKER ARM		001	001	001
014	0521010544	1.2" X 4.9" COUPLING SHAFT		001	001	001
015	0501069687	1895 ADJUSTMENT BAR		001	001	001
016	0501011106	1-1/4" X 7" SCREW		001	001	001
017	0503010070	SPRING WASHER		001	001	001
018	0501010087	1.1/4" NUT		003	003	003
019	0551012054	GUIDE		001	001	001
020	0551012050	SLEEVE 39 X 47,20 X 80 X 95		002	002	002
021	0551012051	SLEEVE 39 X 47,20 X 80 X 55		002	002	002
022	0503010002	1800 GREASE FITTING		023	023	023
023	0503030541	3.4" X 8.0" X 0.8" SPRING		002	002	002
024	0501069398	CRANK		001	001	001
025	0503010292	701164 6 X 40 SPRING PIN		001	001	001
026	0521011696	1.1/2" LEFT 38 NUT		002	002	002
027	0501053304	R.13/4 TURNBUCKLE	3	001	001	001
028	0501056236	KIT CONTROL		001	001	001
029	0503012192	1-1/4" X 8 BOLT		001	001	001
030	0521010546	1.2" X 5.7" COUPLING SHAFT		001	001	001
031	0501069411	OFFSET BAR		001	001	001

**GCRO 2240 (AXLE 1.5/8") ARTICULATED 52-56-60 DISCS****52/56/60D - FRAME ASSY**

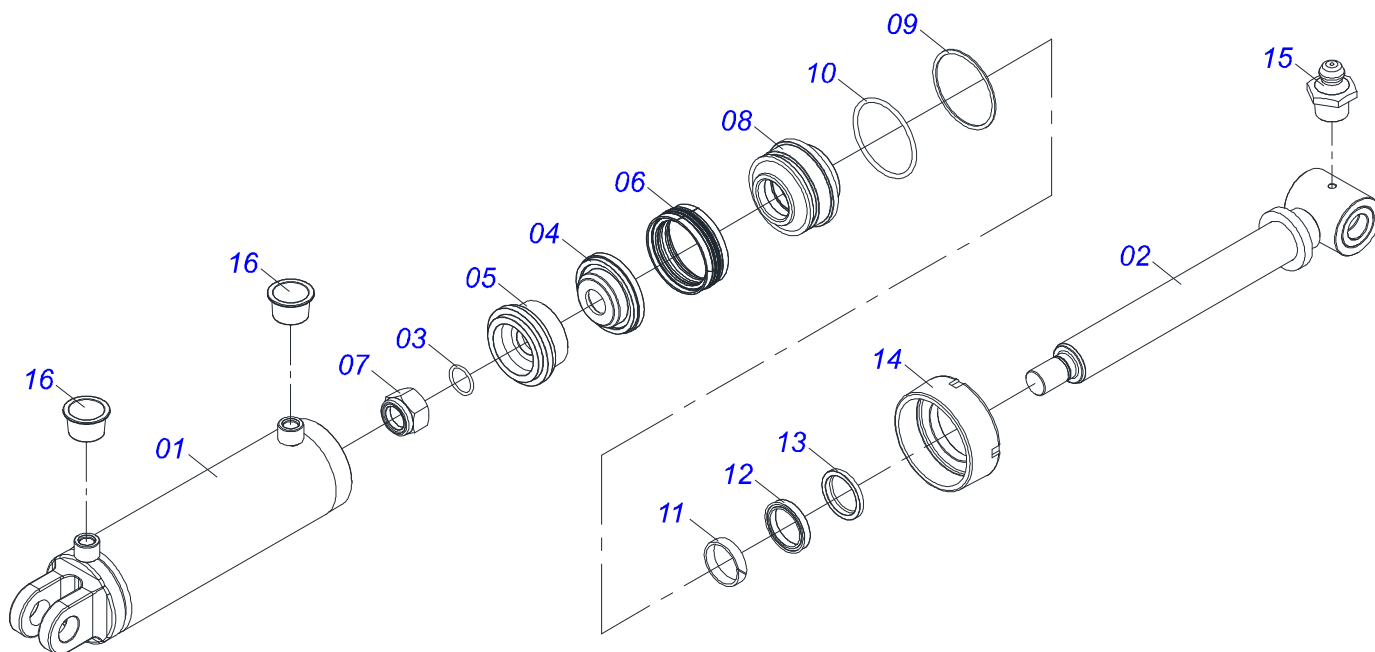
0909093716

Item	Code	Description	See page	052	056	060
032	0521012052	1.5" X 6.7" PIVOT SHAFT		002	002	002
033	0501011301	1.1/2 UNC 6FPP 2.5/16 NUT		006	006	006
034	0503010010	1/4" X 2.1/2" COTTERPIN		005	005	005
035	0501048061	DRAWBAR ASSY	4	001	001	001
036	0503060414	WHEEL AND TIRE	5	004	004	004
037	0501069402	146" CENTRAL FRONT FRAME		001	001	001
037.	0501069403	146" REAR CENTER FRAME		001	001	001
038	0501069520	56" RIGHT FRONT SIDE FRAME		001	000	000
038.	0501069404	67" RIGHT FRONT SIDE FRAME		000	001	000
038..	0511065225	RIGHT FRONT SIDE FRAME		000	000	001
039	0501069521	66" LEFT FRONT SIDE FRAME		001	000	000
039.	0501069405	77" LEFT FRONT SIDE FRAME		000	001	000
039..	0511065226	LEFT FRONT SIDE FRAME		000	000	001
040	0501069522	66" RIGHT SIDE REAR FRAME		001	000	000
040.	0501069406	66" RIGHT SIDE REAR FRAME		000	001	000
040..	0511065227	RIGHT SIDE REAR FRAME		000	000	001
041	0501069523	56" LEFT SIDE REAR FRAME		001	000	000
041.	0501069407	66" LEFT SIDE REAR FRAME		000	001	000
041..	0511065228	LEFT SIDE REAR FRAME		000	000	001
042	0521011922	58.26" SCRAPER TUBE		004	000	000
042.	0521011717	141.7" CENTER SCRAPER TUBE		002	002	002
042..	0521011715	68.9" CENTER SCRAPER TUBE		001	004	000
042...	0521011716	79.5" SCRAPER TUBE		000	001	003
042....	0541016771	SCRAPER TUBE		000	000	001
042.....	0521011922	58.26" SCRAPER TUBE		003	000	000
043	0521011720	2.0" X 15.7" COUPLING SHAFT		004	004	004
044	0501069413	FRONT SCRAPER GCRO		026	028	030
045	0501069414	REAR SCRAPER GCRO		026	029	031
046	0521011774	FIXER PLATE CLEANER		020	057	061
047	0503012110	1/2" X 3-3/4" BOLT		208	228	242
048	0511017302	FLAT WASHER 13,50 X 32,50 X 3,0 ZN		208	228	242
049	0503010060	1/2 UNC G.5 ZN HEX NUT		213	236	246
050	0521011566	FIXER PLATE TUBE CLEANER		020	017	017
051	0501010162	3/4" X 4" BOLT		040	032	034
052	0501010322	FLAT WASHER		040	032	034
053	0503010014	3/4" HEX NUT		041	033	035
054	0551010280	253 TRANSPORT LOCK		002	002	002
055	0501068994	8,30 X 78 LOCK PIN		002	002	002
056	0503030168	HITCH PIN CLIP		003	003	003
057	0502012702	BODY SUPPORT CLAMP		016	010	014
058	0503012555	SCREW 7/16 UNC X 2 CS RT G.7 ZN		014	014	014
059	0503010180	7/16" SPRING WASHER		014	002	014
060	0503011103	7/16" X 2-1/2" BOLT		000	004	000
061	0511019776	FLAT WASHER		008	008	008
062	0503010534	3/8 X 2-1/2 COTTERPIN		008	008	008
063	0501069463	1" X 8" LOCK PIN		004	004	004
064	0501052468	SEQUENCE VALVE C/NIPPLES		004	004	004
064A	0503012124	SEQUENCE VALVE		004	004	004
064B	0503010190	2-114 N 3006-9B O'RING		004	004	004
064C	0501010617	3/4" NIPPLE		004	004	004
065	0501041102	1-1/4" X 3-3/4" ASSY BOLT		008	008	008
065A	0501015348	1-1/4" X 3-3/4" BOLT		008	008	008
065B	0501010953	1-1/4" SQUARE WASHER		008	008	008
065C	0531010713	FLAT WASHER		008	008	008
065D	0503010070	SPRING WASHER		008	008	008
065E	0501010087	1.1/4" NUT		008	008	008
066	0521062849	HOSE HOLDER ASSY		001	001	001
067	0521012053	1.5" X 8.6" AXLE		002	002	002
068	0531018044	1.5" X 11" COUPLING SHAFT		001	001	001

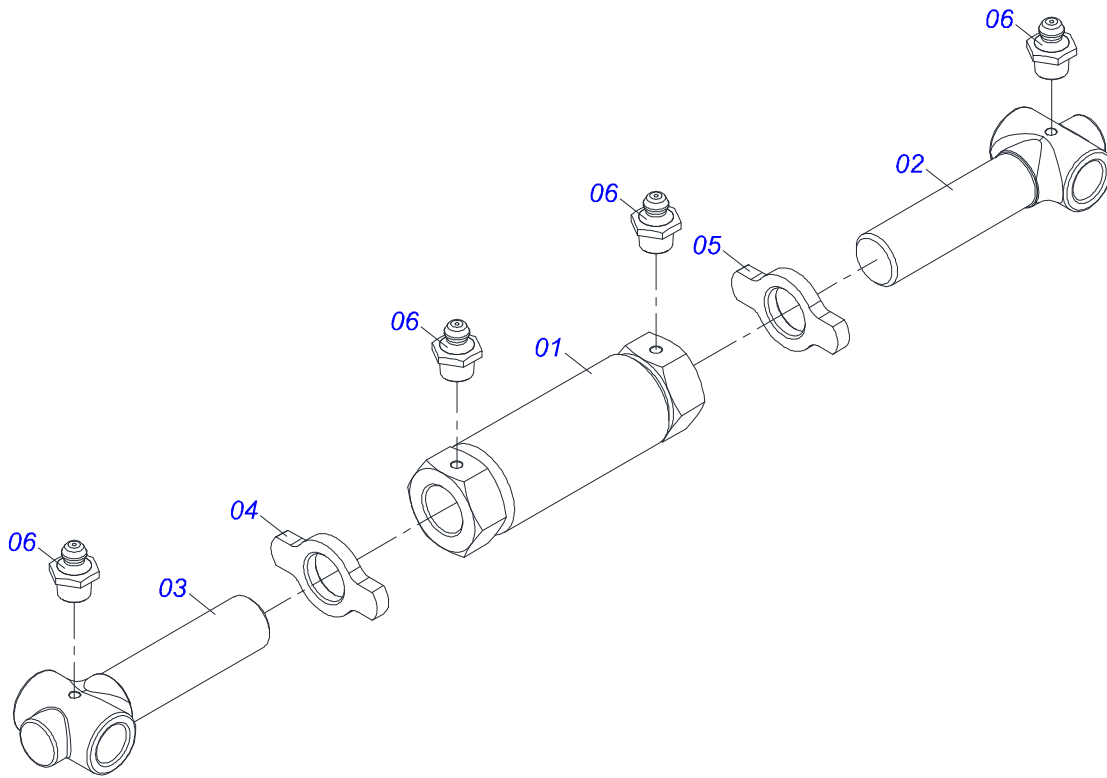
**GCRO 2240 (AXLE 1.5/8") ARTICULATED 52-56-60 DISCS****52/56/60D - FRAME ASSY**

0909093716

Item	Code	Description	See page	052	056	060
069	0501052005	STABILIZER FOR GANG	6	001	001	001
070	0501051880	STABILITY FULL DRAWBAR	7	001	001	001
071	0501055263	CARRYING-WHEELS	8	004	004	004
072	0503010547	1/2" X 4" BOLT		004	004	004
073	0503010019	1/2" SPRING WASHER		004	004	004
074	0511048088	DRAWBAR JACK	9	001	001	001
075	0561014251	COUPLING SHAFT		001	001	001
076	0501047885	30 ROD STOP		002	002	002
077	0501047887	40 ROD STOP		002	002	002
078	0501047895	25 ROD STOP		004	004	004
079	0501069343	WRENCH FIXER		001	001	001
080	0521011722	FLAT WASHER		001	001	001
081	0501011432	1-1/2" AND 1-5/8 GANG BOLT WRENCH		001	001	001
082	0501011431	1-3/4" GANG BOLT WRENCH		002	002	002
083	0503016140	3/4" WRENCH CABLE CYLINDRICAL		001	001	001
084	0503016137	1-1/4" WRENCH CABLE CYLINDER		001	001	001
085	0541015451	FIXED KEY 2.3/8 X 2.3/4		001	001	001
086	0511019920	SLEEVE 32,70 X 38,80 X 25,40		000	006	005
087	0909092741	REAR COUPLING KIT	10	001	001	001
088	0503030012	HITCH PIN CLIP		004	004	004
089	0531011180	UPPER BODY CLIP		000	004	000
090	0503012562	5/16" X 3" BOLT		008	008	008
091	0503010179	LOCK WASHER 5/16 ZN 1K01528		008	008	008
092	0501048090	OIL TUB ASSY		001	001	001
092A	0521011775	OIL TUB		001	001	001
092B	0503010190	2-114 N 3006-9B O'RING		016	016	016
092C	0501010617	3/4" NIPPLE		016	016	016
093	0503010237	3/8" X 1" BOLT		004	004	004
094	0503010025	3/8 SPRING WASHER		004	004	004
095	0511061488	LOCK RIGHT JOINT		004	004	004
096	0501069408	LOCK LEFT JOINT		004	004	004
097	0521011719	1-1/4 X 292 PLUGER		008	008	008
098	0521011714	FLAT WASHER		016	016	016
099	0511050167	50,8 X 101,6 X 800 X 400 HIDRAULIC CYLINDER	11	004	004	004
100	0521010546	1.2" X 5.7" COUPLING SHAFT		006	006	006
101	0521011725	1-1/4" X 6.5" AXLE		004	004	004
102	0503010834	1/2 X 1 BOLT		004	004	004
103	0511058452	38,10 X 63,50 X 455 X 154 GCRO 2240 52/56 12 HYDRAULIC CYLINDER		004	004	004
104	0521012538	1.2" X 3.5" COUPLING SHAFT		008	008	008
105	0503010571	1/4" X 1.1/2 COTTERPIN		008	008	008
106	0503013150	1300 X 3/8 CHAIN		001	001	001

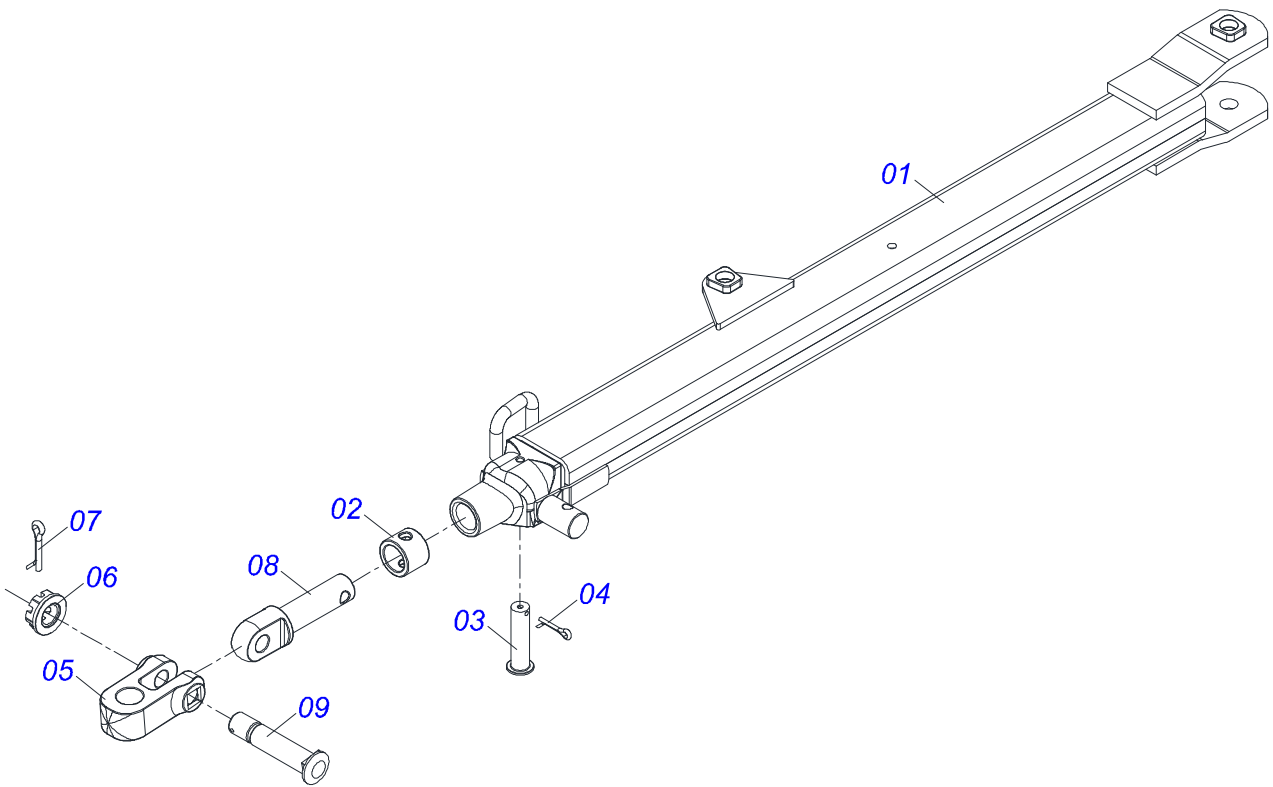


Item	Code	Description	See page	QT
01	0511066220	101,60 X 369 CYLINDER CASE		01
02	0511067445	50,8 X 452,5 TURNBUCLE		01
03	0503010345	2-218 N 3006-9B O'RING		01
04	0561016389	PISTON BODY		01
05	0561016387	PISTON BODY		01
06	0503015633	SELEMASTER SEALING		01
07	0503010817	1.1/4" SELF LOCKING NUT		01
08	0502012642	SUPPORT OF THE RINGS		01
09	0503011061	8-342 BACK-UP RING		01
10	0503010338	2-342 N 3006-9B O'RING		01
11	0503015634	RING SLYDRING		01
12	0503015635	U-CUP SEAL		01
13	0503015636	SCRAPER SEAL		01
14	0502010017	4" LID		01
15	0503010002	1800 GREASE FITTING		01
16	0503030384	CON PLUG N-001		02
17	0501039361R	REPAIR KIT		01

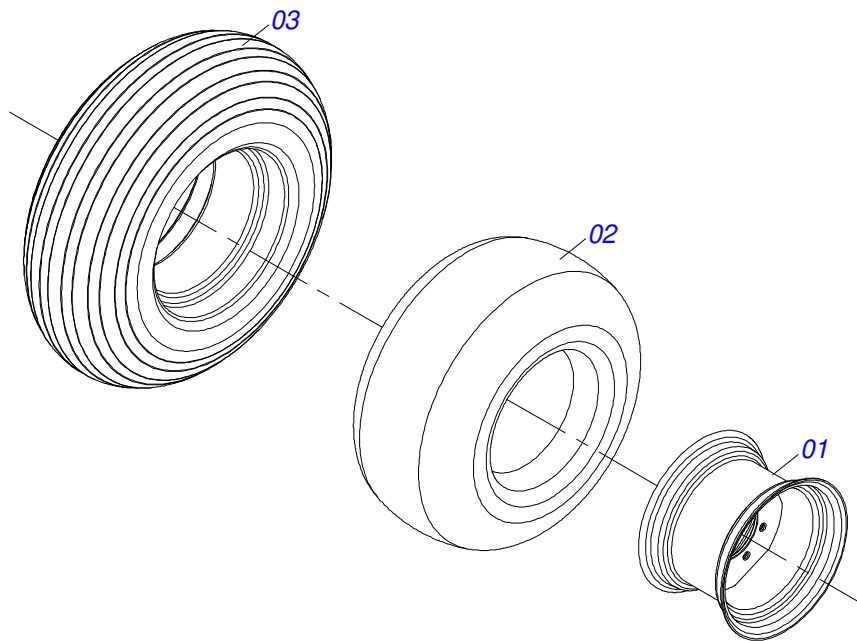


Item	Code	Description	See page	QT
01	0511062188	R1.3/4" UN ADJUSTMENT NUT		01
02	0502040568	R.1-3/4 TURNBUCKLE		01
03	0502040570	REGULATOR SPINDLE		01
04	0551010782	RIGHT LOCKNUT		01
05	0551010993	LEFT LOCKNUT		01
06	0503010002	1800 GREASE FITTING		04

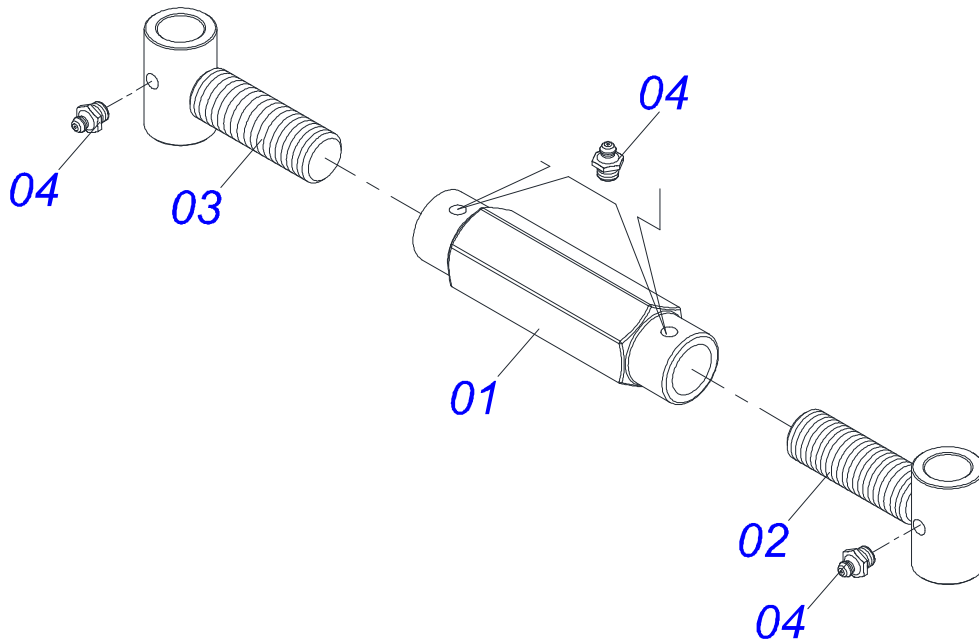
DRAWBAR ASSY



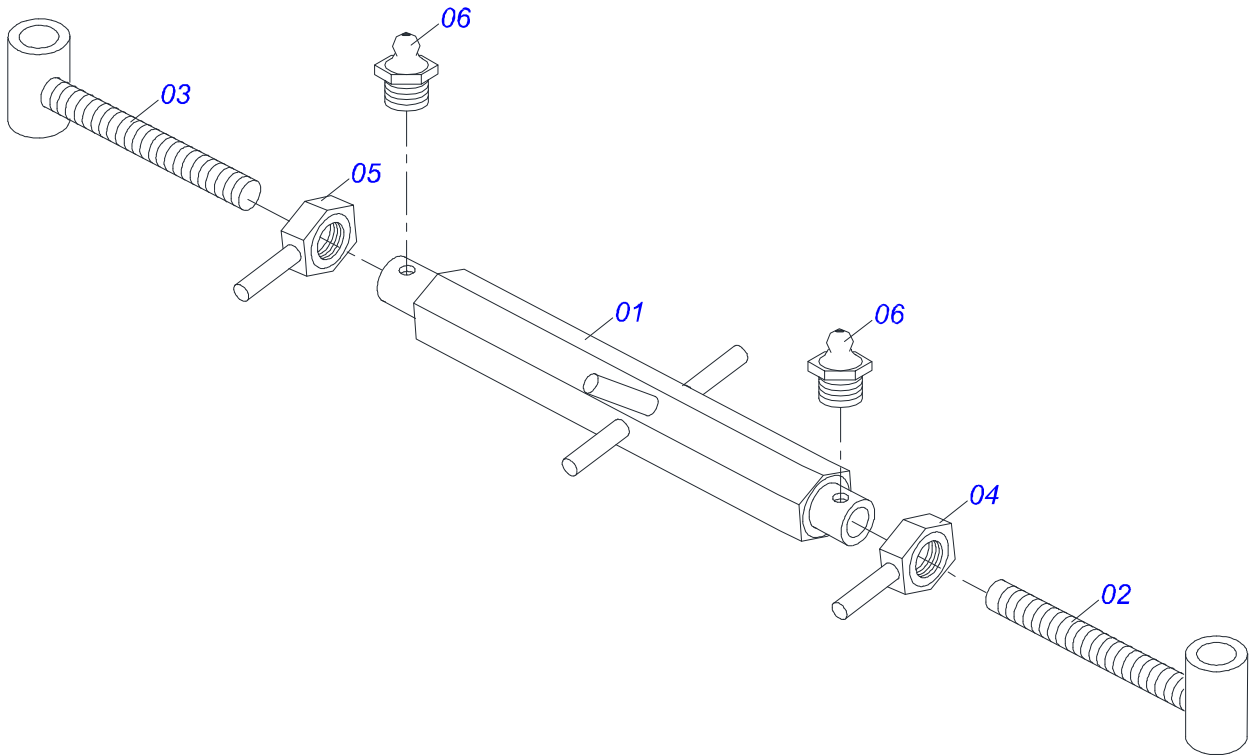
Item	Code	Description	See page	QT
001	0501069412	DRAWBAR ASSY		01
002	0502040327	HITCH LOCK RING		01
003	0511014902	COUPLING SHAFT		01
004	0503010571	1/4" X 1.1/2 COTTERPIN		01
005	1902040733	U COUPLING HOOK		01
006	0501011301	1.1/2 UNC 6FPP 2.5/16 NUT		01
007	0503010010	1/4" X 2.1/2" COTTERPIN		01
008	0502040727	COUPLING SHAFT		01
009	0521012545	COUPLING SHAFT		01



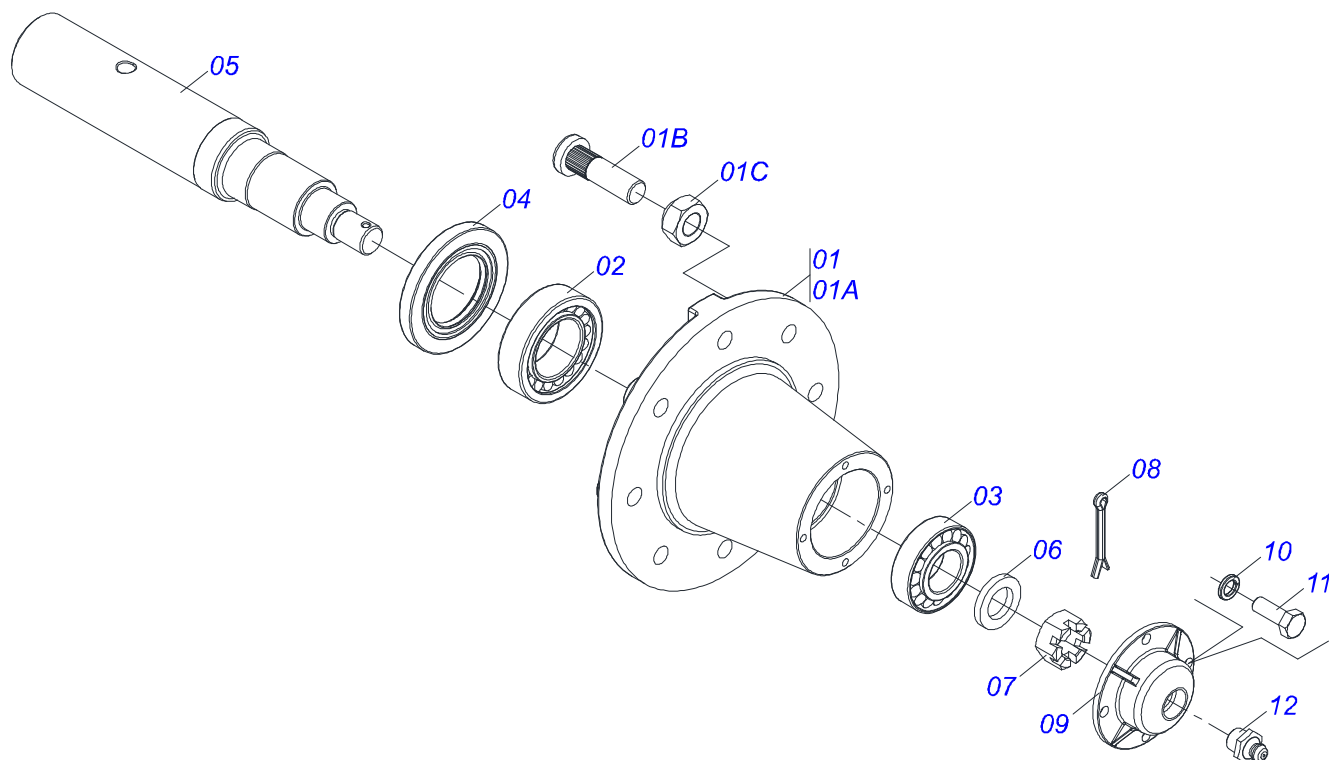
Item	Code	Description	See page	QT
01	0503012108	WHEEL 10 LB X 15 X 8F X 203		01
02	0503010860	AIR CHAMBER 11L 15		01
03	0503011469	RIB TIRE BL - 12L		01



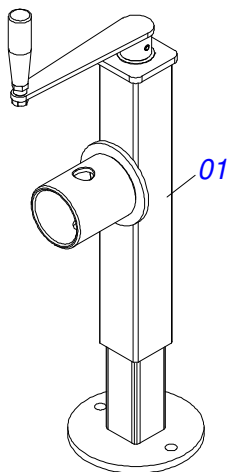
Item	Code	Description	See page	QT
01	0502011469	245 ADJUSTMENT NUT		01
02	0501069416	JACKET		01
03	0501069417	JACK CRANK		01
04	0503010002	1800 GREASE FITTING		04



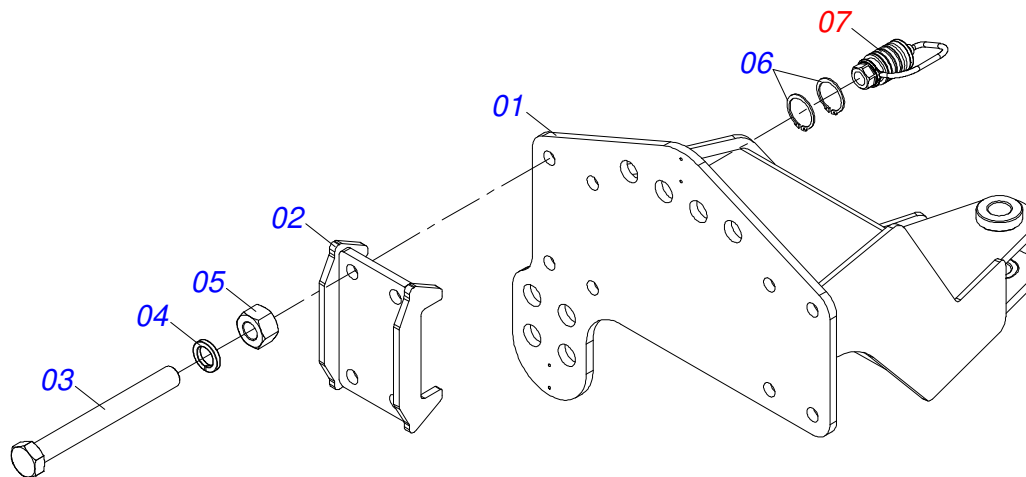
Item	Code	Description	See page	QT
01	0501069443	DRAWBAR TURNBUCKLE		01
02	0501069399	JACKET		01
03	0501069400	JACK CRANK		01
04	0501069330	LOCKNUT WITH RIGHT HANDLER R 2-1/8		01
05	0501069331	LOCKNUT WITH LEFT HANDLER R 2-1/8		01
06	0503010002	1800 GREASE FITTING		02



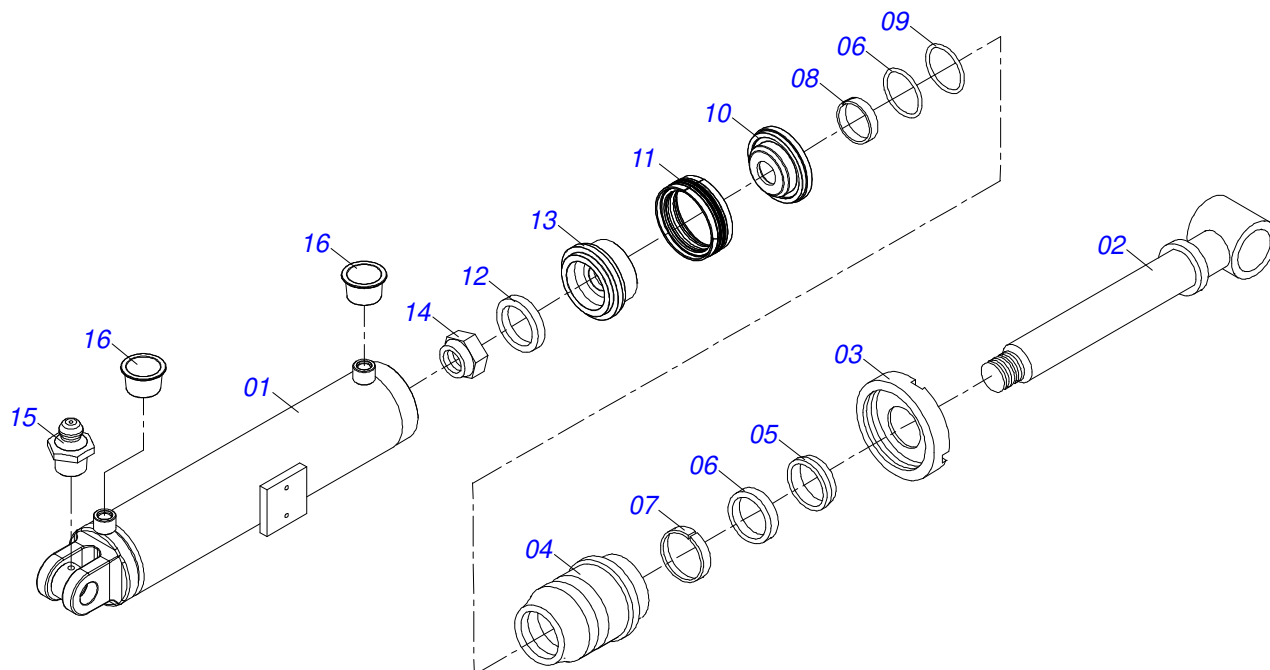
Item	Code	Description	See page	QT
01	0501110738	CARRYING WHEEL HUB	01	01
01A	0502012260	TRANSPORT WHEEL BOX	01	01
01B	0501010186	WHEEL SCREW 5/8UNF X 2.1/8CR	08	08
01C	0503010064	5/8 UNF CONIC NUT	08	08
02	0503010008	3780/3720 ROLLER BEARING	01	01
03	0503014821	ROLLER BEARING	01	01
04	0503013314	RETAINER 5166-GB 63,5 X 110 X 13 ARCA	01	01
05	0511012494	SPINDLE	01	01
06	0511012492	FLAT WASHER	01	01
07	0503030009	1" CASTLE NUT	01	01
08	0503010018	5/32 X 1-1/2 COTTERPIN	01	01
09	0502020591	PROTECCION COVER	01	01
10	0503011444	SPRING WASHER	04	04
11	0503010358	5/16" X 5/8" BOLT	04	04
12	0503010002	1800 GREASE FITTING	01	01



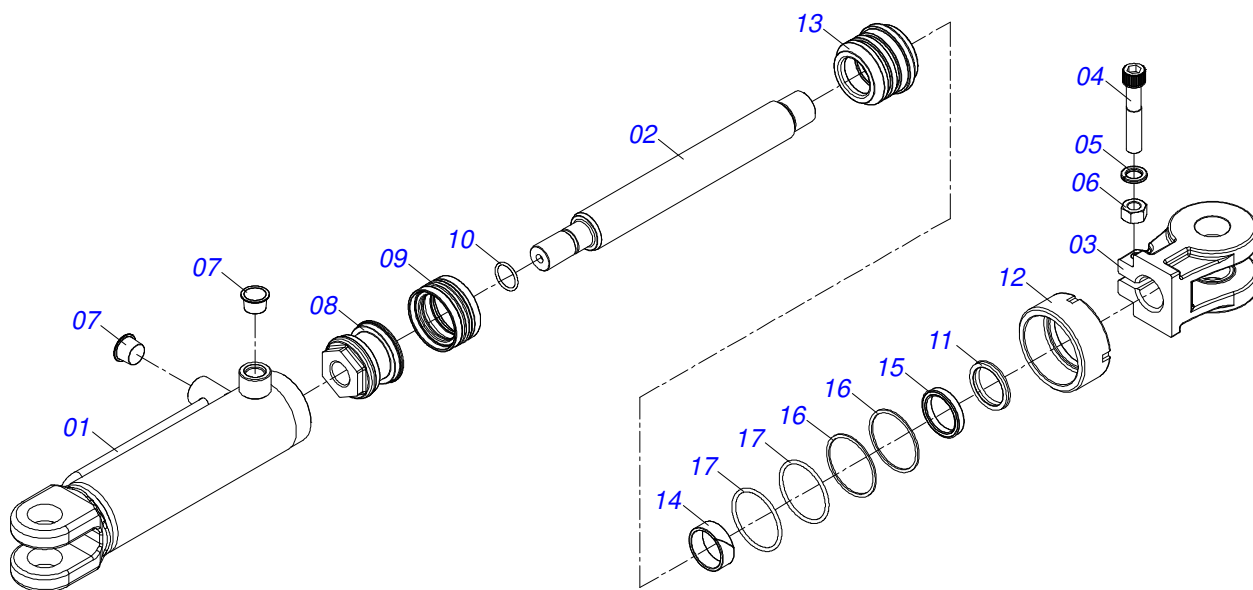
Item	Code	Description	See page	QT
01	0503062227	DRAWBAR JACK		01



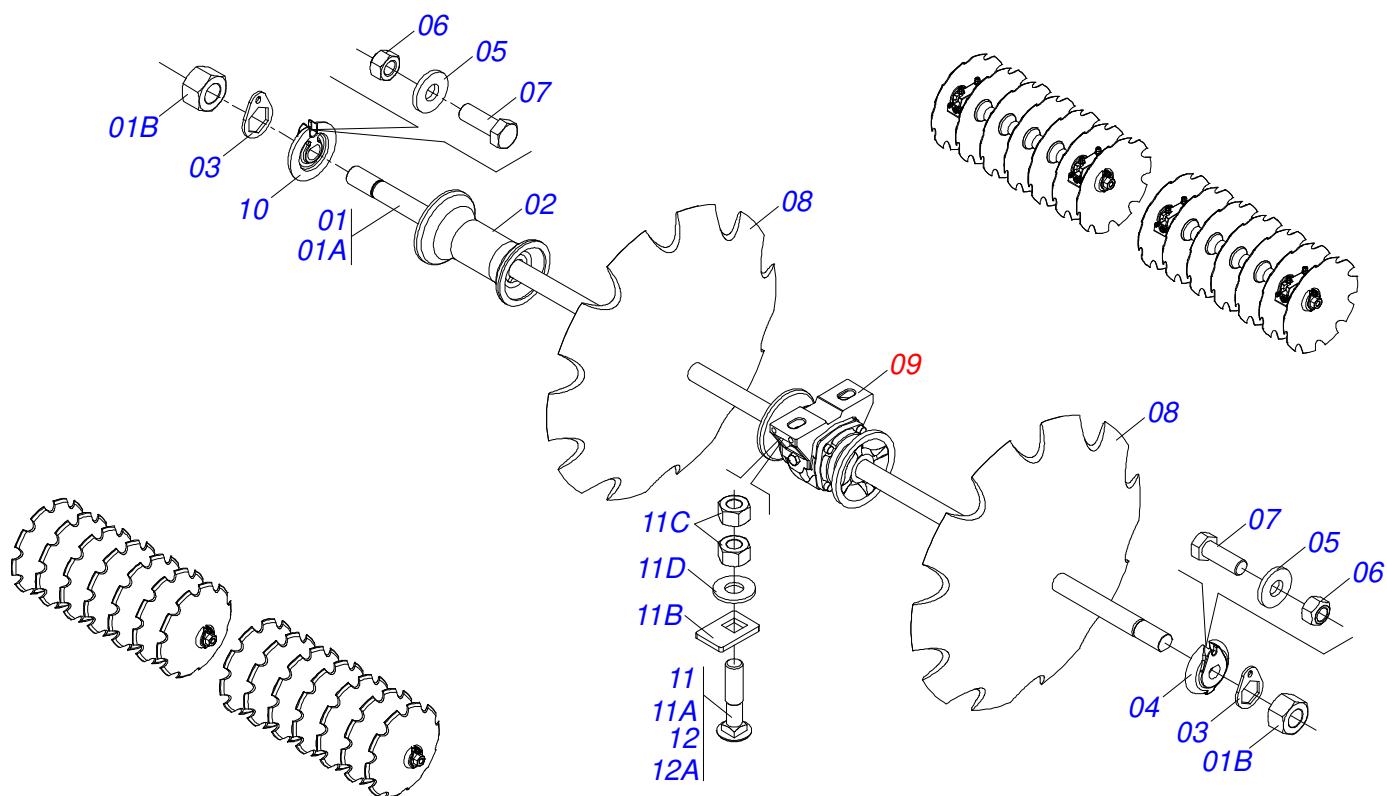
Item	Code	Description	See page	QT
01	0521065966	REAR HITCH		01
02	0521065965	FIXER CLAW		02
03	0501010064	1" X 9" BOLT		08
04	0503010012	1" SPRING WASHER		08
05	0501010059	1.5/8 NUT		08
06	0503010217	501040 CLAMPING RING (FOR AXLE)		04
07	0501053835	FEMALE QUICK COUPLER	22	02



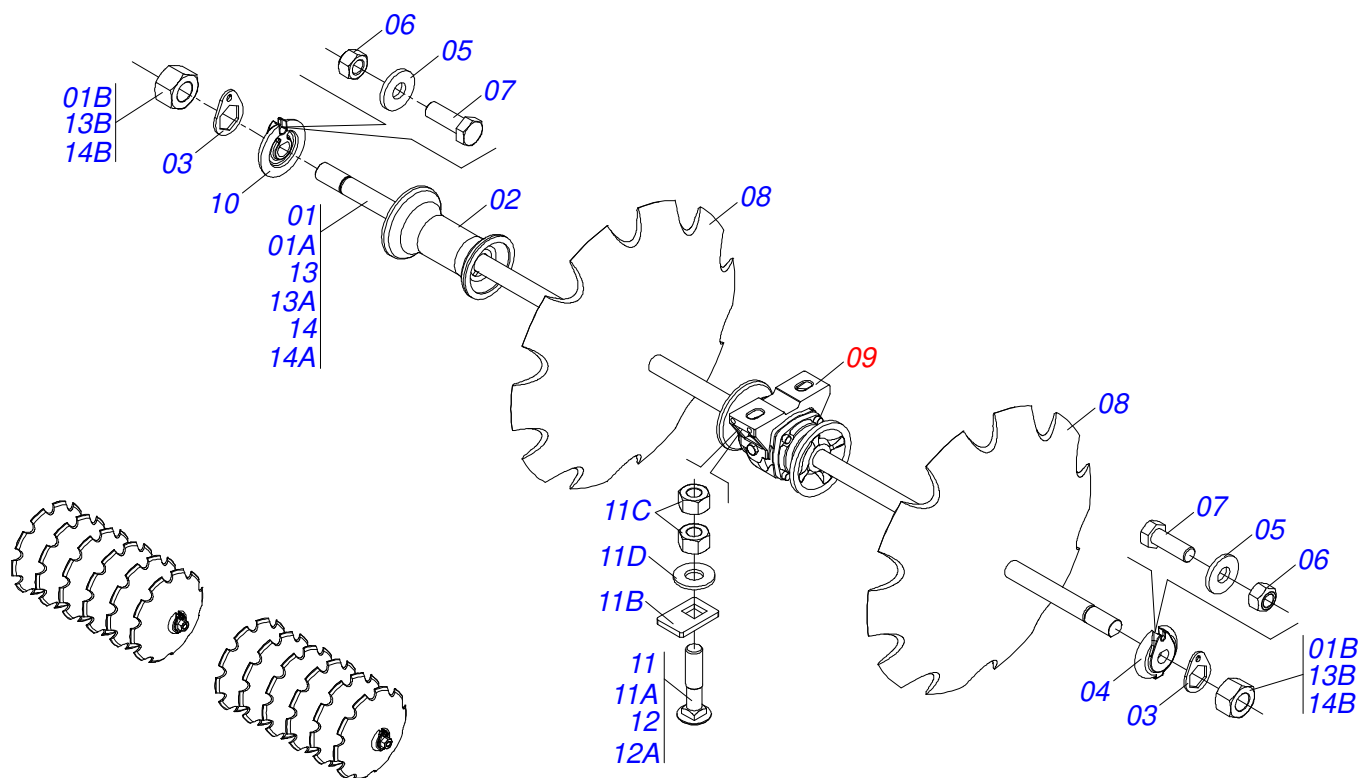
Item	Code	Description	See page	QT
01	0511061509	4" X 20" CYLINDER CASE		01
02	0511060066	2" X 27" TURNBUCLE WITH BUSHING		02
03	0503010345	2-218 N 3006-9B O'RING		01
04	0561016389	PISTON BODY		01
05	0561016387	PISTON BODY		01
06	0503015633	SELEMASTER SEALING		01
07	0503010817	1.1/4" SELF LOCKING NUT		01
08	0502012642	SUPPORT OF THE RINGS		01
09	0503011061	8-342 BACK-UP RING		01
10	0503010338	2-342 N 3006-9B O'RING		01
11	0503015634	RING SLYDRING		01
12	0503015635	U-CUP SEAL		01
13	0503015636	SCRAPER SEAL		01
14	0502010017	4" LID		01
15	0503010002	1800 GREASE FITTING		01
16	0503030384	CON PLUG N-001		02



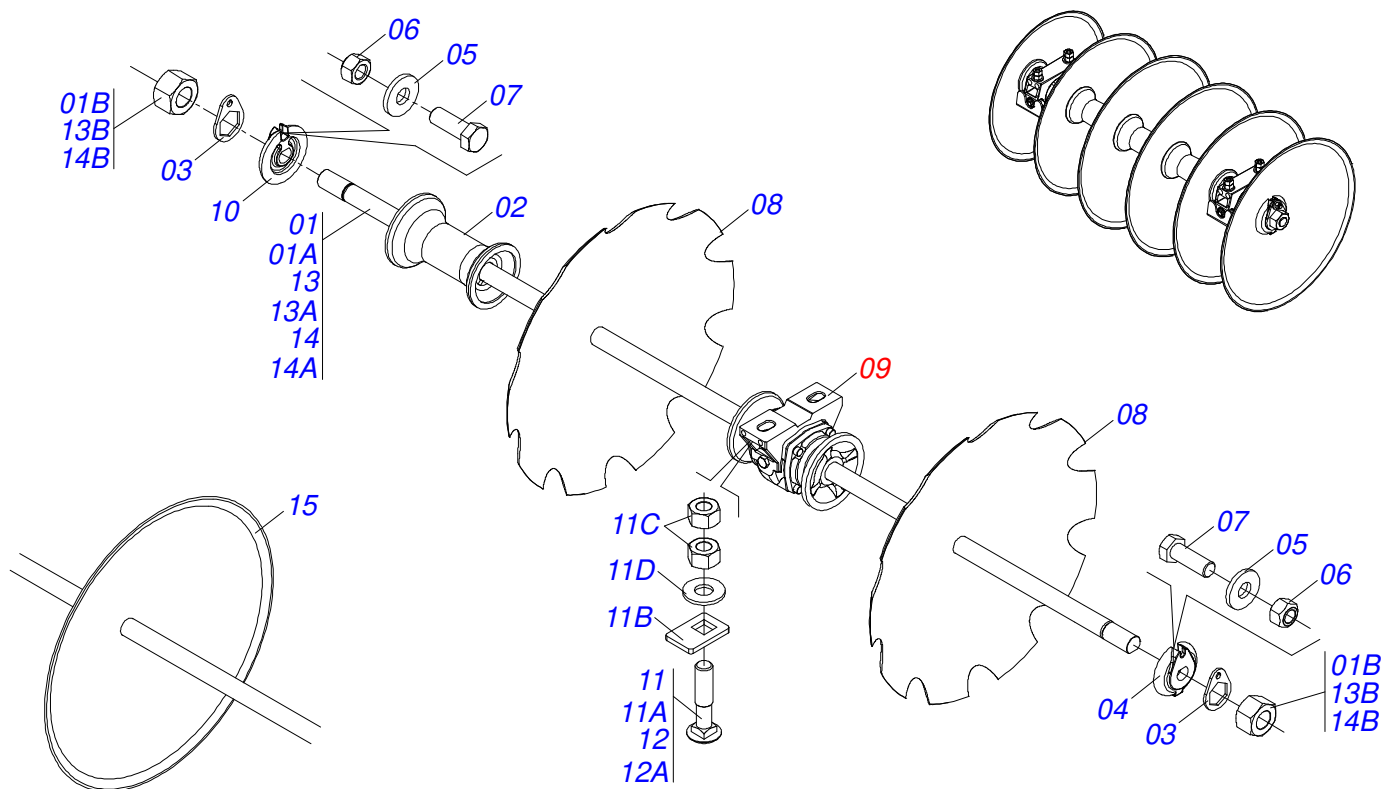
Item	Code	Description	See page	QT
01	0501069475	2.5" X 12" CYLINDER CASE		01
02	0581010853	ROD BODY 38,10 X 345		01
03	0502040747	32.54 CLEVIS CLAMP		01
04	0503011094	3/8" X 2" BOLT		01
05	0503010025	3/8 SPRING WASHER		01
06	0503010026	3/8" NUT		01
07	0503030384	CON PLUG N-001		02
08	0502012837	PISTON		01
09	0503018005	RING		01
10	0503011109	2-119 N 3006-9B O'RING		01
11	0503010163	D-1500 SCRAPER RING		01
12	0502010471	63,50 MOBILE CAP		01
13	0581010668	RING SUPPORT		01
14	0503018004	RING		01
15	0503018003	GASKET		01
16	0503018163	BACK-UP RING		02
17	0503018162	O'RING		02



Item	Code	Description	See page	052	056	060
01	0501046859	1-5/8" X 70" AXLE WITH NUTS 2-3/4"		004	004	004
01A	0501015631	1-5/8" X 70" AXLE		004	004	004
01B	0502840640	1.5/8" 2.3/4" NUT		008	008	008
02	0502010703	10.35" 1-5/8" SPACER		016	016	016
03	0511014339	1-5/8" 2.8" NUT LOCK		008	008	008
04	0502011048	1-5/8" EXTERNAL AXLE WASHER		004	004	004
05	0501012140	FLAT WASHER		008	008	008
06	0503012412	5/8" UNC SELF LOCKING NUT		008	008	008
07	0503010232	5/8" X 1.3/4" BOLT		008	008	008
08	0602040135	DR30X7,5 C84AF02FR1.11/16 10R GONZA		028	028	028
08.	0602037006	DR28X7,5 C102AF04FR1.11/16 10R TATU		028	028	028
08..	0602037004	28" X 0.2" NOTCHED DISC BLADE		028	028	028
08...	0602033067	26" X 7.5 NOTCHED DISC BLADE		028	028	028
08....	0602033005	26" X 0.2" NOTCHED DISC BLADE		028	028	028
09	0501048457	262MM X 1.5/8" RD OIL BATH BEARING	17	008	008	008
10	0502012221	1-1/2" INNER AXLE WASHER		004	004	004
11	0501041925	3/4" X 3-1/2" BOLT ASSY		016	016	016
11A	0501010950	3/4" X 3-1/2" BOLT		016	016	016
11B	0501010949	3/4" SQUARE WASHER		016	016	016
11C	0503010014	3/4" HEX NUT		032	032	032
11D	0501010322	FLAT WASHER		016	016	016
12	0511040468	3/4" X 4" BOLT ASSY		016	016	016
12A	0501010162	3/4" X 4" BOLT		016	016	016



Item	Code	Description	See page	052	056	060
01	0501046856	1-5/8" X 59" AXLE WITH NUTS 2-3/4		002	000	000
01A	0501019012	1-5/8" X 59" AXLE		002	000	000
01B	0502040640	1.5/8" 2.3/4" NUT		004	000	000
02	0502010703	10.35" 1-5/8" SPACER		006	008	010
03	0511014339	1-5/8" 2.8" NUT LOCK		004	004	004
04	0502011048	1-5/8" EXTERNAL AXLE WASHER		002	002	002
05	0501012140	FLAT WASHER		004	004	004
06	0503012412	5/8" UNC SELF LOCKING NUT		004	004	004
07	0503010232	5/8" X 1.3/4" BOLT		004	004	004
08	0602040135	DR30X7,5 C84AF02FR1.11/16 10R GONZA		012	014	016
08.	0602037006	DR28X7,5 C102AF04FR1.11/16 10R TATU		012	014	016
08..	0602037004	28" X 0.2" NOTCHED DISC BLADE		012	014	016
08...	0602033067	26" X 7.5 NOTCHED DISC BLADE		012	014	016
08....	0602033005	26" X 0.2" NOTCHED DISC BLADE		012	014	016
09	0501048457	262MM X 1.5/8" RD OIL BATH BEARING	17	004	004	004
10	0502012221	1-1/2" INNER AXLE WASHER		002	002	002
11	0501041925	3/4" X 3-1/2" BOLT ASSY		008	008	008
11A	0501010949	3/4" SQUARE WASHER		008	008	008
11B	0501010950	3/4" X 3-1/2" BOLT		008	008	008
11C	0503010014	3/4" HEX NUT		016	016	016
11D	0501010322	FLAT WASHER		008	008	008
12	0511040468	3/4" X 4" BOLT ASSY		008	008	008
12A	0501010162	3/4" X 4" BOLT		008	008	008
13	0501046859	1-5/8" X 70" AXLE WITH NUTS 2-3/4"		000	002	000
13A	0501015631	1-5/8" X 70" AXLE		000	002	000
13B	0502040640	1.5/8" 2.3/4" NUT		000	004	000
14	0501046861	1-5/8" X 80" AXLE WITH NUTS 2-3/4"		000	000	002
14A	0501019015	1-5/8 X 80" AXLE		000	000	002
14B	0502040640	1.5/8" 2.3/4" NUT		000	000	004



Item	Code	Description	See page	052	056	060
01	0501046856	1-5/8" X 59" AXLE WITH NUTS 2-3/4		001	000	000
01A	0501019012	1-5/8" X 59" AXLE		001	000	000
01B	0502040640	1.5/8" 2.3/4" NUT		002	000	000
02	0502010703	10.35" 1-5/8" SPACER		003	004	005
03	0511014339	1-5/8" 2.8" NUT LOCK		002	002	002
04	0502012221	1-1/2" INNER AXLE WASHER		001	001	001
05	0501012140	FLAT WASHER		002	002	002
06	0503012412	5/8" UNC SELF LOCKING NUT		002	002	002
07	0503010232	5/8" X 1.3/4" BOLT		002	002	002
08	0602040135	DR30X7,5 C84AF02FR1.11/16 10R GONZA		006	007	008
08.1	0602040135	DR30X7,5 C84AF02FR1.11/16 10R GONZA		006	007	008
08.2	0602040074	30 X 7,5 NOTCHED DISC BLADE		006	007	008
08.3	0602037006	DR28X7,5 C102AF04FR1.11/16 10R TATU		006	007	008
08.4	0602037004	28" X 0.2" NOTCHED DISC BLADE		006	007	008
08.5	0602037186	DR28X7,5 C108AF02FR1.11/16 10R TATU		006	007	008
08.6	0602033067	26" X 7.5 NOTCHED DISC BLADE		006	007	008
08.7	0602033005	26" X 0.2" NOTCHED DISC BLADE		006	007	008
08.8	0602033232	DR26X6 C89AF02FR1.11/16 10REC TATU		006	007	008
09	0501048457	262MM X 1.5/8" RD OIL BATH BEARING	17	002	002	002
10	0502011048	1-5/8" EXTERNAL AXLE WASHER		001	001	001
11	0501041925	3/4" X 3-1/2" BOLT ASSY		004	004	004
11A	0501010950	3/4" X 3-1/2" BOLT		004	004	004
11B	0501010949	3/4" SQUARE WASHER		004	004	004
11C	0503010014	3/4" HEX NUT		008	008	008
11D	0501010322	FLAT WASHER		004	004	004
12	0511040468	3/4" X 4" BOLT ASSY		004	004	004
12A	0501010162	3/4" X 4" BOLT		004	004	004
13	0501046859	1-5/8" X 70" AXLE WITH NUTS 2-3/4"		000	001	000
13A	0501015631	1-5/8" X 70" AXLE		000	001	000
13B	0502040640	1.5/8" 2.3/4" NUT		000	002	000
14	0501046861	1-5/8" X 80" AXLE WITH NUTS 2-3/4"		000	000	001

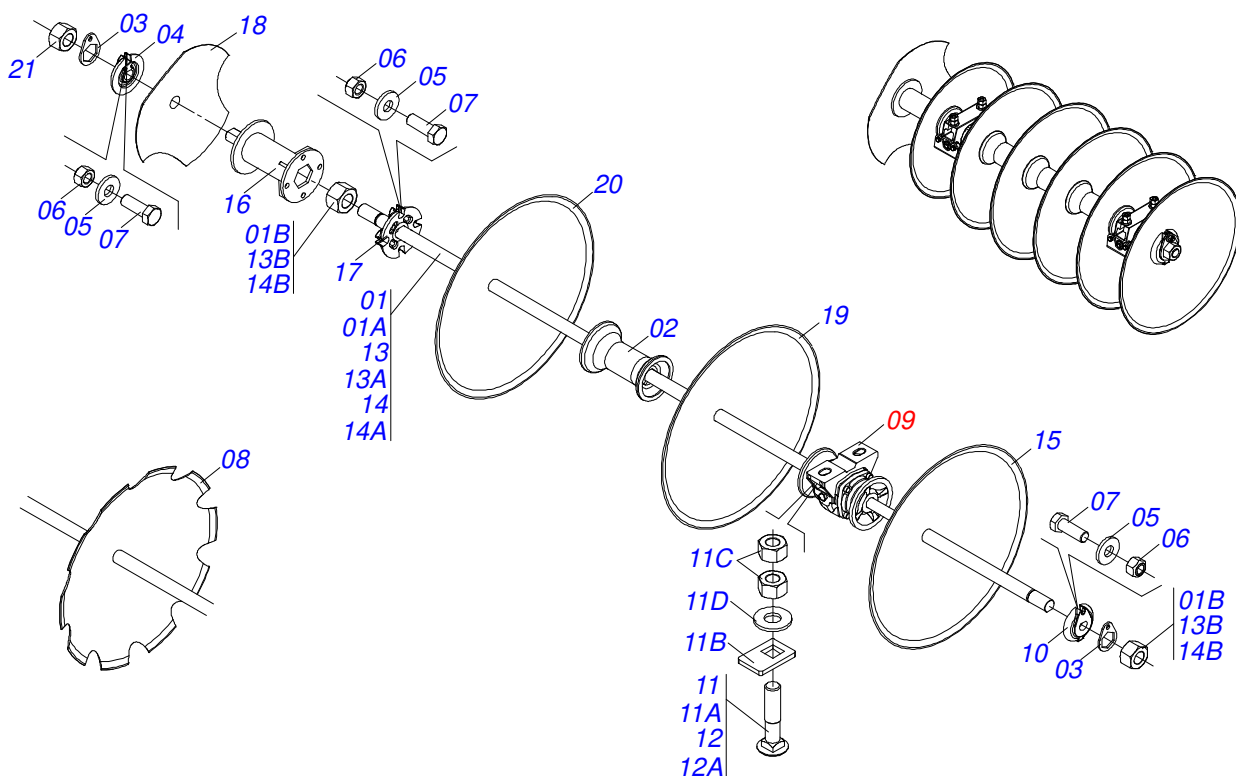


LEFT SIDE REAR DISC SECTION

0909093720

Item	Code	Description	See page	052	056	060
14A	0501019015	1-5/8 X 80" AXLE		000	000	001
14B	0502040640	1.5/8" 2.3/4" NUT		000	000	002
15	0601042069	DL30X7,5 C84AF02FR42,86 D090		006	007	008
15.1	0601042040	30 X 0,3" PLAIN DISC BLADE		006	007	008
15.2	0601039007	28" X 0.2" PLAIN DISC BLADE		006	007	008
15.3	0601039053	28"X 0.3" PLAIN DISC BLADE		006	007	008
15.4	0601033065	DL26X7,5 C90AF04FR1.11/16 TATU		006	007	008
15.5	0601033005	26" X 0.2" PLAIN DISC BLADE		006	007	008

SECTION DISCS REAR RIGHT SIDE



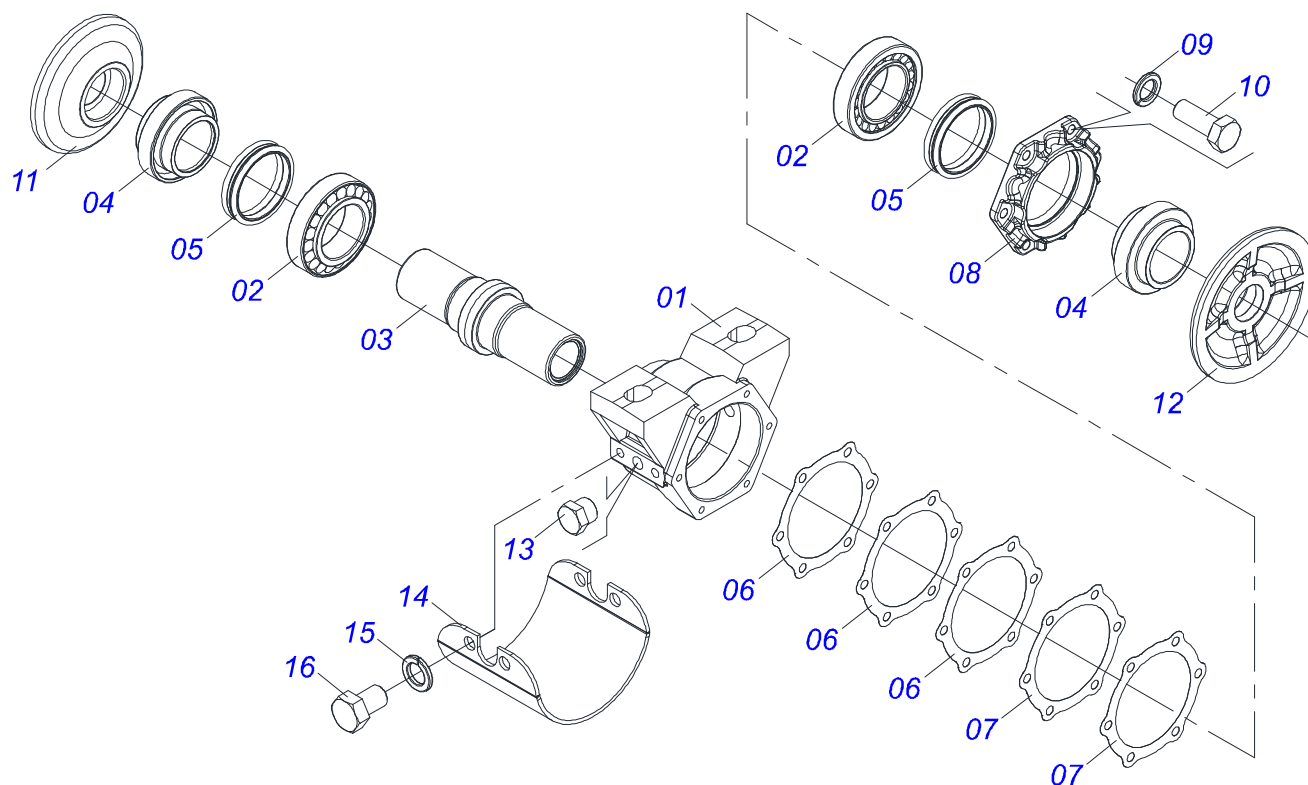
Item	Code	Description	See page	052	056	060
01	0501046856	1-5/8" X 59" AXLE WITH NUTS 2-3/4		001	000	000
01A	0501019012	1-5/8" X 59" AXLE		001	000	000
01B	0502040640	1.5/8" 2.3/4" NUT		002	000	000
02	0502010703	10.35" 1-5/8" SPACER		003	004	005
03	0511014339	1-5/8" 2.8" NUT LOCK		002	002	002
04	0502011048	1-5/8" EXTERNAL AXLE WASHER		001	001	001
05	0501012140	FLAT WASHER		006	006	006
06	0503012412	5/8" UNC SELF LOCKING NUT		006	006	006
07	0503010232	5/8" X 1.3/4" BOLT		006	006	006
08	0602040135	DR30X7,5 C84AF02FR1.11/16 10R GONZA		004	005	006
08.01	0602037154	28" X 0.2" NOTCHED DISC BLADE		004	005	006
08.02	0602037004	28" X 0.2" NOTCHED DISC BLADE		004	005	006
08.03	0602037006	DR28X7,5 C102AF04FR1.11/16 10R TATU		004	005	006
08.04	0602037186	DR28X7,5 C108AF02FR1.11/16 10R TATU		004	005	006
08.05	0602033145	DR26X7,5 C89AF02FR42,86 10REC ROME		001	001	001
08.06	0602033067	26" X 7.5 NOTCHED DISC BLADE		001	001	001
08.07	0602033005	26" X 0.2" NOTCHED DISC BLADE		001	001	001
08.08	0602033232	DR26X6 C89AF02FR1.11/16 10REC TATU		001	001	001
08.09	0602030005	24" X 0.2" NOTCHED DISC BLADE		001	001	001
08.10	0602030236	24" X 7,5 NOTCHED DISC BLADE		001	001	001
08.11	0602030369	24" X 0.2" NOTCHED DISC BLADE		001	001	001
08.12	0602029039	DR22X6 C74AF02FR42,86 10REC ROME		001	001	001
09	0501048457	262MM X 1.5/8" RD OIL BATH BEARING	17	002	002	002
10	0502012221	1-1/2" INNER AXLE WASHER		001	001	001
11	0501041925	3/4" X 3-1/2" BOLT ASSY		004	004	004
11A	0501010950	3/4" X 3-1/2" BOLT		004	004	004
11B	0501010949	3/4" SQUARE WASHER		004	004	004
11C	0503010014	3/4" HEX NUT		008	008	008
11D	0501010322	FLAT WASHER		004	004	004
12	0511040468	3/4" X 4" BOLT ASSY		004	004	004
12A	0501010162	3/4" X 4" BOLT		004	004	004



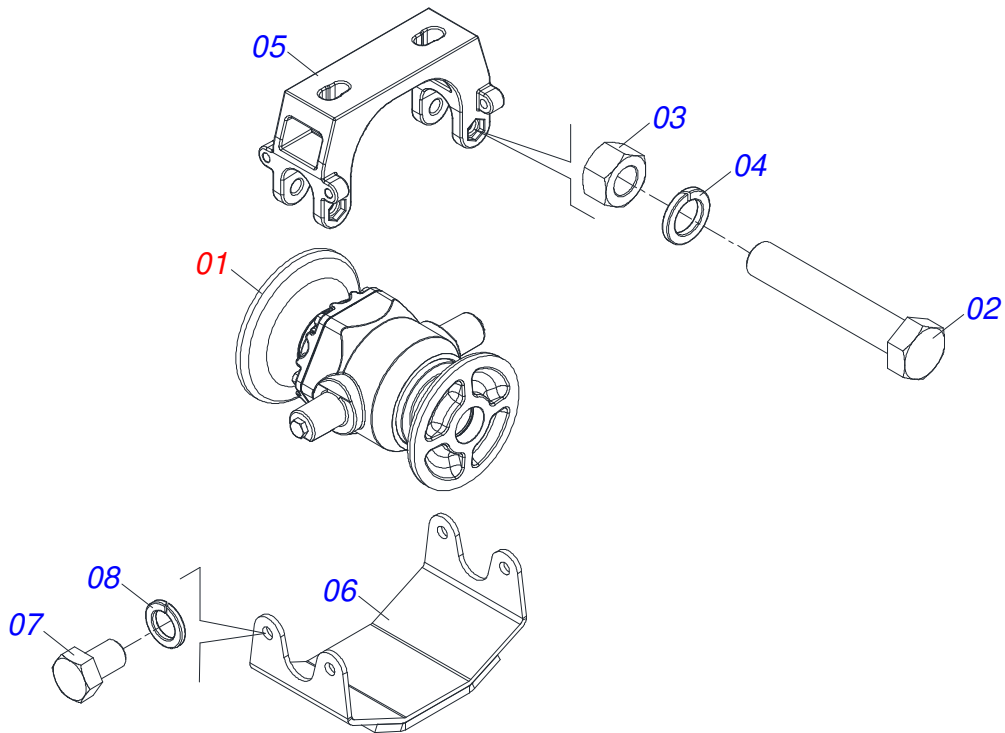
SECTION DISCS REAR RIGHT SIDE

0909093721

Item	Code	Description	See page	052	056	060
13	0501046859	1-5/8" X 70" AXLE WITH NUTS 2-3/4"		000	001	000
13A	0501015631	1-5/8" X 70" AXLE		000	001	000
13B	0502040640	1.5/8" 2.3/4" NUT		000	002	000
14	0501046861	1-5/8" X 80" AXLE WITH NUTS 2-3/4"		000	000	001
14A	0501019015	1-5/8 X 80" AXLE		000	000	001
14B	0502040640	1.5/8" 2.3/4" NUT		000	000	002
15	0601042040	30 X 0,3" PLAIN DISC BLADE		004	005	006
15.	0601042069	DL30X7,5 C84AF02FR42,86 D090		004	005	006
15..	0601039007	28" X 0.2" PLAIN DISC BLADE		004	005	006
15...	0601039053	28"X 0.3" PLAIN DISC BLADE		004	005	006
15....	0601039166	28" X 0,2" PLAIN DISC BLADE		004	005	006
16	0511067146	10.35" AXLE 1-5/8" SPACER		001	001	001
17	0502012377	1-5/8" EXTERNAL AXLE LOK		001	001	001
18	0602027350	DR20X6 C50AF02FR1.11/16 3REC TATU		001	001	001
18.	0602029360	DR22X6 C69AF02FR1.11/16 03REC TATU		001	001	001
18..	0602030445	24 X 6 NOTCHED DISC BLADE		001	001	001
18...	0602030424	DR24X7,5 C85AF02FR1.11/16 10REC		001	001	001
18....	0602027275	DR20X4,5 C50AFPFR1.11/16 3REC TATU		001	001	001
19	0601033005	26" X 0.2" PLAIN DISC BLADE		001	001	001
19.	0601034098	26" X 0,2" PAIN DISC BLADE		001	001	001
20	0601030005	24" X 0.2" PLAIN DISC BLADE		001	001	001
20.	0601031032	24" X 0,2" PLAIN DISC BLADE		001	001	001
20..	0601030096	24 X 0,3" PLAIN DISC BLADE		001	001	001
20...	0601029206	DL22X6 C63AF02FR42,86 ROME		001	001	001
21	0502040640	1.5/8" 2.3/4" NUT		001	001	001

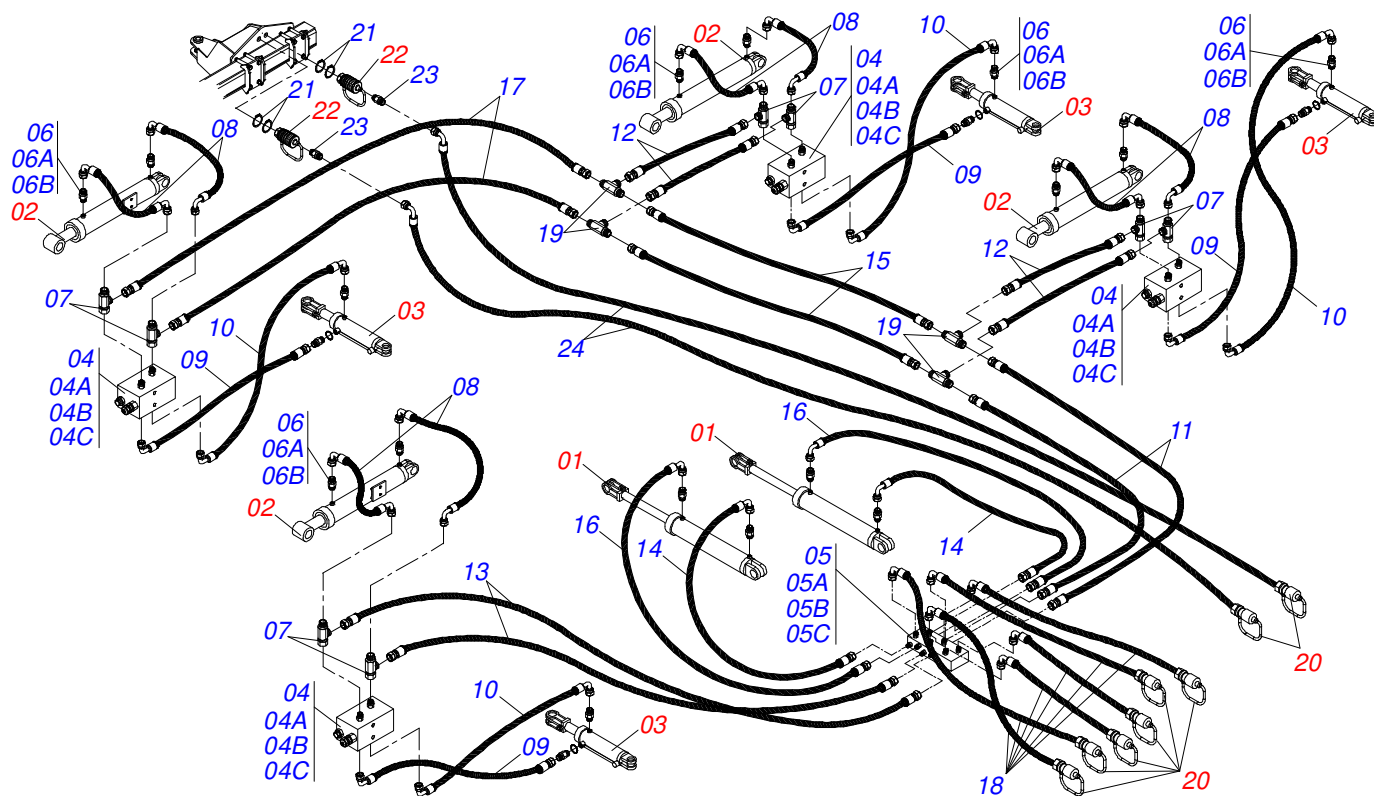


Item	Code	Description	See page	QT
01	0502020636	8.8" X 1-5/8" OIL HOUSING BEARING		01
02	0503013496	3982/3920 ROLLER BEARING		02
03	0502010740	AXLE TK		01
04	0502010736	SEAL RETAINER		02
05	0503030027	DUO-CONE SEAL		02
06	0503030030	5.6" X 4.4" X 0.01" GASKET		03
07	0503030685	5.5" X 4.4" X 0.003" GASKET		02
08	0502020161	WEAR PLATE BEARING		01
09	0503011443	3/8" SPRING WASHER		06
10	0503010237	3/8" X 1" BOLT		06
11	0502040240	INNER FLANGE		01
12	0502040239	OUTER FLANGE		01
13	0503010856	OIL PLUG		02
14	0521012933	BEARING WEAR PLATE		01
15	0503010019	1/2" SPRING WASHER		04
16	0503011401	1/2" X 3/4" BOLT		04



Item	Code	Description	See page	QT
01	0501059733	SWINGING 262 AXIS 1.5/8" MM BEARING		01
02	0503010762	SCREW 5/8 UNC X 3.1/2 CS G.5 ZN		02
03	0503010013	5/8 NUT		02
04	0503010027	5/8 SPRING WASHER		02
05	0502012626	CENTER OSCILLATING BEARING SUPPORT		01
06	0521067341	BEARING SWING COVER WITH ENHANCED		01
07	0503010834	1/2 X 1 BOLT		04
08	0503010019	1/2" SPRING WASHER		04

HYDRAULIC CIRCUIT



Item	Code	Description	See page	QT
01	0511050166	50,80 X 101,60 X 561 X 251 HYDRAULIC CYLINDER	2	02
02	0511058452	38,10 X 63,50 X 455 X 154 GCRO 2240 52/56 12 HYDRAULIC CYLINDER		04
03	0511050167	50,8 X 101,6 X 800 X 400 HIDRAULIC CYLINDER	11	04
04	0501052468	SEQUENCE VALVE C/NIPPLES		04
04A	0503012124	SEQUENCE VALVE		04
04B	0503010190	2-114 N 3006-9B O'RING		04
04C	0501010617	3/4" NIPPLE		04
05	0501048090	OIL TUB ASSY		01
05A	0521011775	OIL TUB		01
05B	0503010190	2-114 N 3006-9B O'RING		16
05C	0501010617	3/4" NIPPLE		16
06	0501043271	3/4" NIPPLE WITH O'RING (5/16)		21
06A	0501010617	3/4" NIPPLE		21
06B	0503010190	2-114 N 3006-9B O'RING		21
07	0503011968	3/4" 8R6X-S T ADAPTER WITH SWIVEL NUT		08
08	0501080199	3/8" X 13.4" TC-TC HOSE ASSY		08
09	0501080507	3/8" X 21.6" TR-TC HOSE ASSY		04
10	0501080900	3/8" X 23.6" TC-TC HOSE ASSY		04
11	0501081567	HOSE 3/8 X 1900 TR-TR 4800PSI		02
12	0501081566	HOSE		04
13	0501081568	HOSE 3/8 X 2700 TR-TR 4800PSI		02
14	0501080401	3/8" X 106" TR-TC HOSE		02
15	0501081569	HOSE 3/8 X 2850 TR-TR 4800PSI		02
16	0501080397	3/8" X 120" TR-TC HOSE		02
17	0501081570	3/8 X 4400 TR-TR 4800PSI HOSE		02
18	0501081551	HOSE		06
19	0503011271	3/4" UNF "T" CONNECTION T 3 SIDES		04
20	0501053834	MALE QUICK COUPLER	21	08
21	0503010217	501040 CLAMPING RING (FOR AXLE)		04
22	0501053835	FEMALE QUICK COUPLER	22	02
23	0571015342	3/4" NIPPLE		02

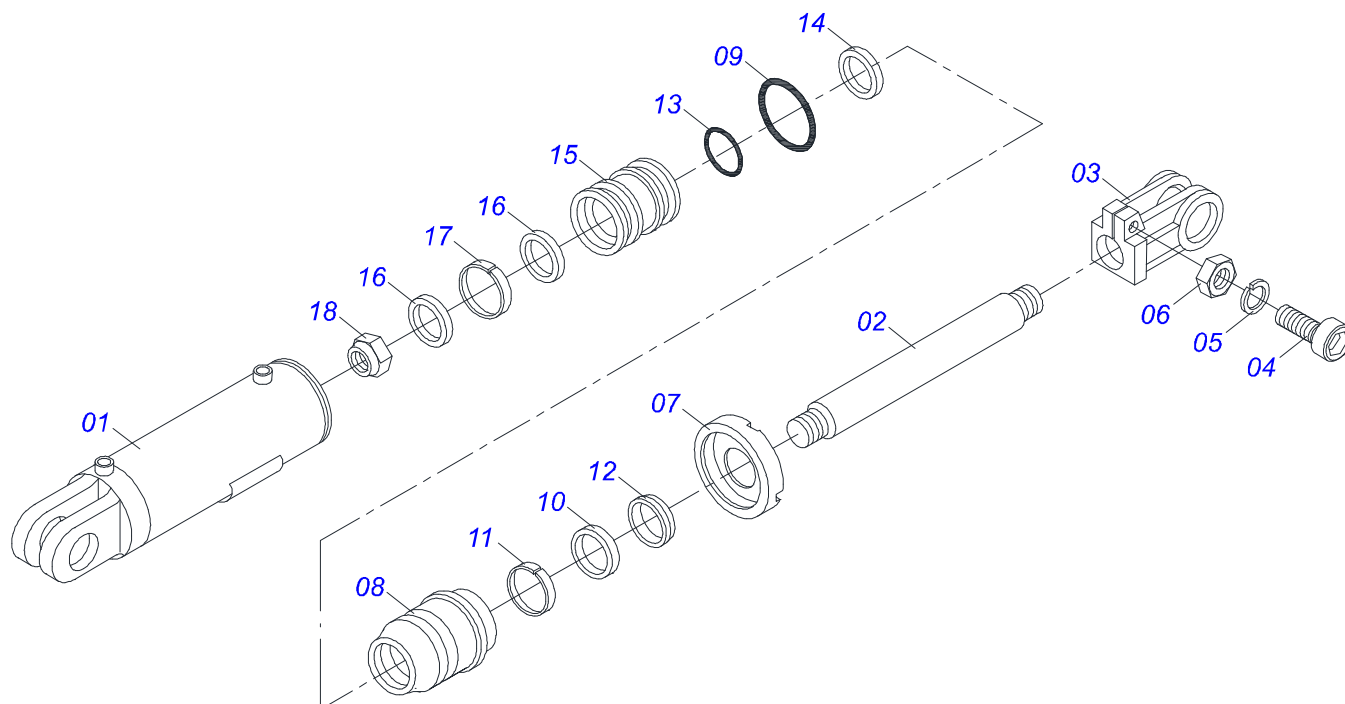


GCRO 2240 (AXLE 1.5/8") ARTICULATED 52-56-60 DISCS
HYDRAULIC CIRCUIT

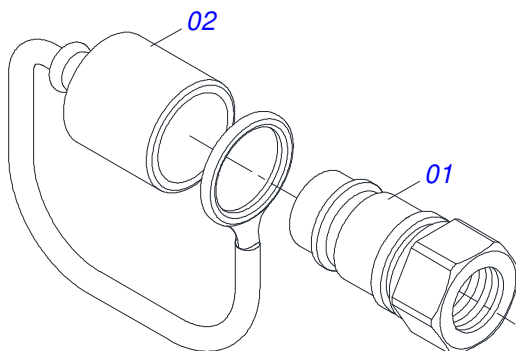
Page 19

0909093722

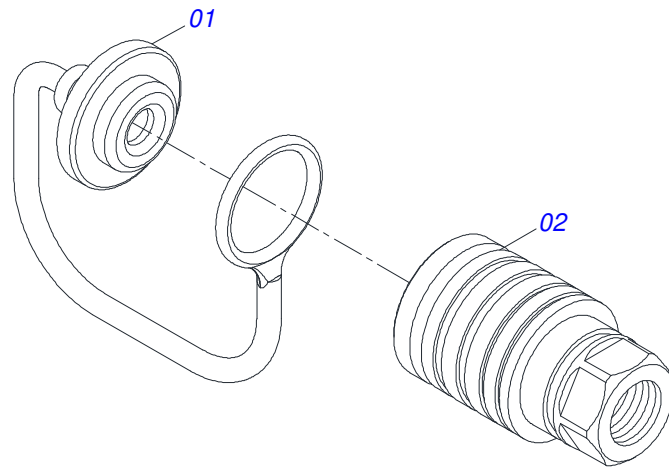
Item	Code	Description	See page	QT
24	0501080613	3/8" X 252" TR-TC HOSE ASSY		02



Item	Code	Description	See page	QT
01	0511066441	3" X 11,02" CYLINDER CASE		01
02	0541016462	1.7" X 11.65" TURNBUCLE		01
03	0502040747	32.54 CLEVIS CLAMP		01
04	0503011094	3/8" X 2" BOLT		01
05	0503010025	3/8 SPRING WASHER		01
06	0503010026	3/8" NUT		01
07	0502011899	MOBILE LID		01
08	0502011897	RING SUPPORT		01
09	0503010343	2-334 N 3006-9B O'RING		01
10	0503010990	GASKET		01
11	0503010949	W2-2000-500 PK RING G.E		01
12	0503010761	D-1750 SCRAPER RING		01
13	0503010042	2-214 N 3006-9B O'RING		01
14	0503011059	8-334 BACK-UP RING		01
15	0502011898	1.8" X 3.0" PISTON		01
16	0503012768	3750-2250 GASKET		02
17	0503010992	3 X 3 X 1/2 W2-3000-500 PK RING		01
18	0503010063	1" SELF-ALIGNING NUT		01
19	0501033655	HYDRAULIC CYLINDER REPAIR KIT		



Item	Code	Description	See page	QT
01	0503011627	MALE QUICK COUPLER AGR 1/2 NPT		01
02	0503011882	MALE QUICK COUPLER CAP		01



Item	Code	Description	See page	QT
01	0503011883	QUICK CONNECTION COVER		01
02	0503011628	FEMALE QUICK COUPLER		01



MARCHESAN

Technical Publications | Elaboration and Revision

ALESSANDRA PATRICIA KAWAHARA CARRILI

www.marchesan.com.br

