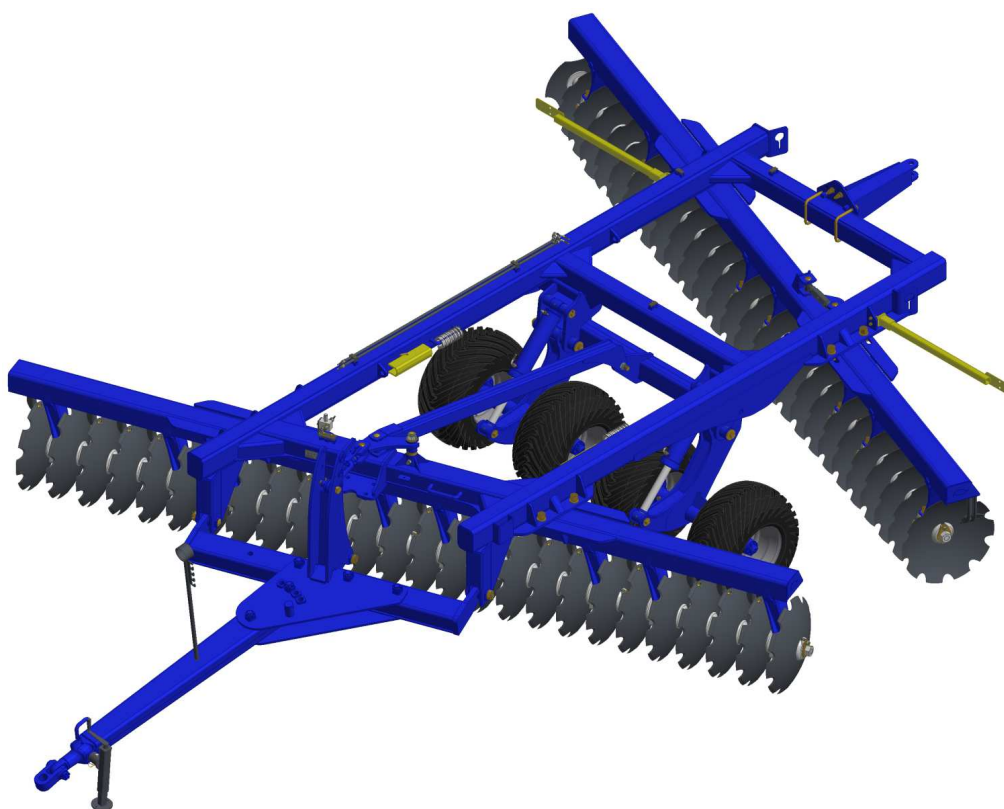


# **PARTS CATALOG**

## **OFFSET DISK HARROW**

**GCRO 7009 (AXLE 1.5/8") RIGID  
MECHANICAL 32 TO 52 DISCS**

**Code: 0501092121**



**Series: S-0916**

**Rev.: 00**

**Date Rev.: JANEIRO/2018**

**ORIGINAL PARTS  
TATU**



# PRODUCTS

Code	Description
0102560268	GCRO 7009 32X28X7,5 DMO MEC ESPECIAL S-0916
0102560269	GCRO 7009 36X28X7,5 DMO MEC ESPECIAL S-0916
0102560270	GCRO 7009 40X28X7,5 DMO MEC ESPECIAL S-0916
0102560271	GCRO 7009 44X28X7,5 DMO MEC ESPECIAL S-0916
0102560272	GCRO 7009 48X28X7,5 DMO MEC ESPECIAL S-0916
0102560273	GCRO 7009 52X28X7,5 DMO MEC ESPECIAL S-0916

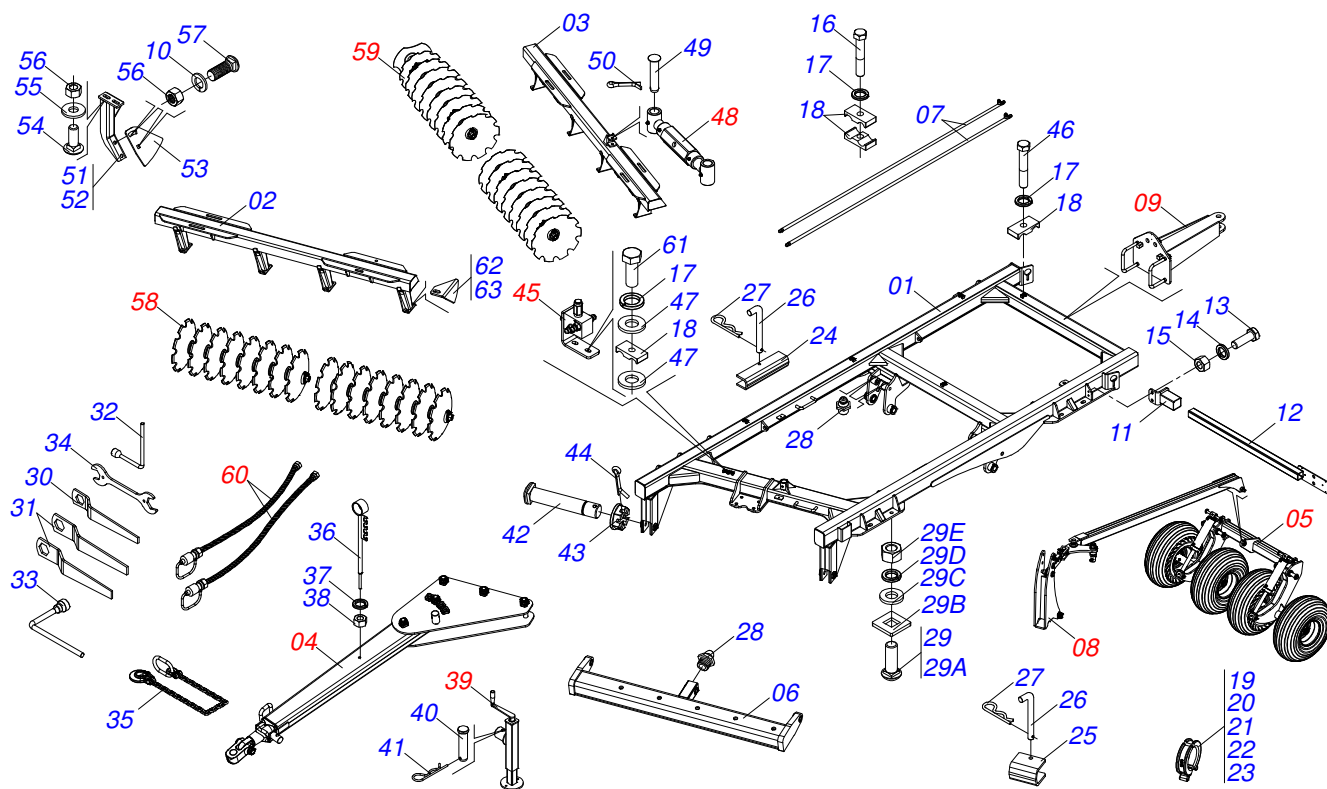
## ATTENTION: **IMPORTANT**

MARCHESAN S/A RESERVES THE RIGHT AT ANY TIME TO MAKE IMPROVEMENTS IN THE DESIGN, MATERIAL OR SPECIFICATIONS OF MACHINERY, EQUIPMENT OR PARTS WITHOUT THEREBY BECOMING LIABLE TO MAKE SIMILAR CHANGES IN MACHINERY, EQUIPMENT OR PARTS PREVIOUSLY SOLD.

# INDEX

0909093694	FRAME ASSY	.....	1
0521047325	FULL TRACTION BAR	.....	2
0909093667	WHEEL ASSY	.....	3
0521051832	HYDRAULIC CYLINDER	.....	4
0503060414	WHEEL AND TIRE	.....	5
0503060102	WHEEL AND TIRE	.....	6
0501056467	STUB SHAFT & HUB ASSY	.....	7
0909093696	HEAD ARTICULATED ASSY	.....	8
0511059199	AIR TURNBUCKLE STABILIZER BAR	.....	9
0909093668	REAR COUPLING KIT	.....	10
0511048088	DRAWBAR JACK	.....	11
0511059196	VALVE FULL	.....	12
0501052005	STABILIZER FOR GANG	.....	13
0909093669	32D - FRONT DISC SECTION	.....	14
0909093670	32D - REAR DISC SECTION	.....	15
0909093671	36/40/44/48D - FRONT DISC SECTION	.....	16
0909093672	36/40/44/48D - REAR DISC SECTION	.....	17
0909093673	52D - FRONT DISC SECTION	.....	18
0909093674	52D - REAR DISC SECTION	.....	19
0511048374	BEARING DM OL 225 X 1.5/8 OSC C/SUPT/PROT IMP	.....	20
0909093697	HYDRAULIC CIRCUIT OF WHEELSETS WITH REAR HITCH	.....	21

FRAME ASSY



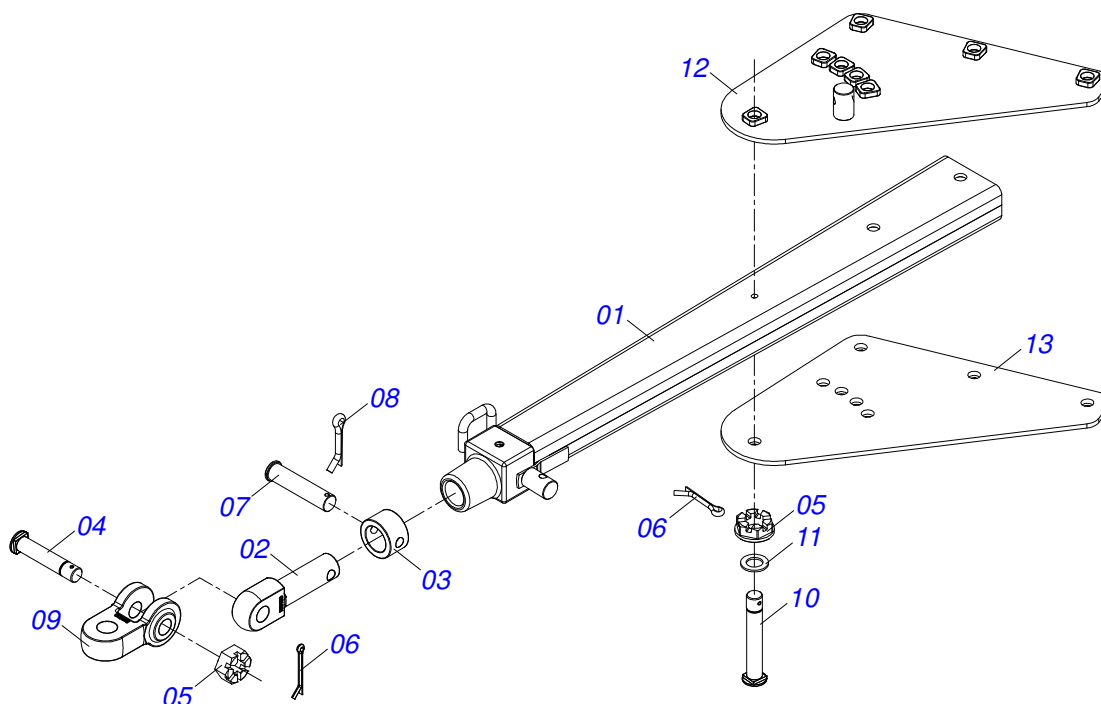
Item	Code	Description	See page	032	036	040	044	048	052
01	0521067801	FRAME		001	001	001	001	001	001
02	0521067905	FRONT FRAME		001	000	000	000	000	000
02.	0521067907	FRONT FRAME		000	001	000	000	000	000
02..	0521067909	FRONT FRAME		000	000	001	000	000	000
02...	0521067911	FRONT FRAME		000	000	000	001	000	000
02....	0521067914	FRONT FRAME		000	000	000	000	001	000
02.....	0521067916	FRONT FRAME		000	000	000	000	000	001
03	0521067906	REAR FRAME		001	000	000	000	000	000
03.	0521067908	REAR FRAME		000	001	000	000	000	000
03..	0521067910	REAR FRAME		000	000	001	000	000	000
03...	0521067912	REAR FRAME		000	000	000	001	000	000
03....	0521067915	REAR FRAME		000	000	000	000	001	000
03.....	0521067917	REAR FRAME		000	000	000	000	000	001
04	0521047325	FULL TRACTION BAR	2	001	001	001	001	001	001
05	0909093667	WHEEL ASSY	3	001	001	001	001	001	001
06	0521067800	BAR HITCH		001	001	001	001	001	001
07	0521067804	OIL DISTRIBUTOR DUCT		002	002	002	002	002	002
08	0909093696	HEAD ARTICULATED ASSY	8	001	001	001	001	001	001
09	0909093668	REAR COUPLING KIT	10	001	001	001	001	001	001
10	0503010027	SPRING WASHER		050	050	058	066	074	074
11	0521066624	FIXER SUPPORT LANTERN		002	002	002	002	002	002
12	0521066443	SUPPORT FIXER LANTERN		002	002	002	002	002	002
13	0503011082	C1/2" X 1.3/4" BOLT		004	004	004	004	004	004
14	0503010019	1/2" SPRING WASHER		004	004	004	004	004	004
15	0503010060	1/2" NUT		004	004	004	004	004	004
16	0503011103	7/16" X 2-1/2" BOLT		002	002	002	002	002	002
17	0503010180	7/16" SPRING WASHER		007	007	007	007	007	007
18	0502010477	UPPER CLIP		009	009	009	009	009	009
19	0501047895	ROD STOP		006	006	006	006	006	006
20	0501047885	ROD STOP		003	003	003	003	003	003
21	0501047886	ROD STOP		003	003	003	003	003	003



FRAME ASSY

0909093694

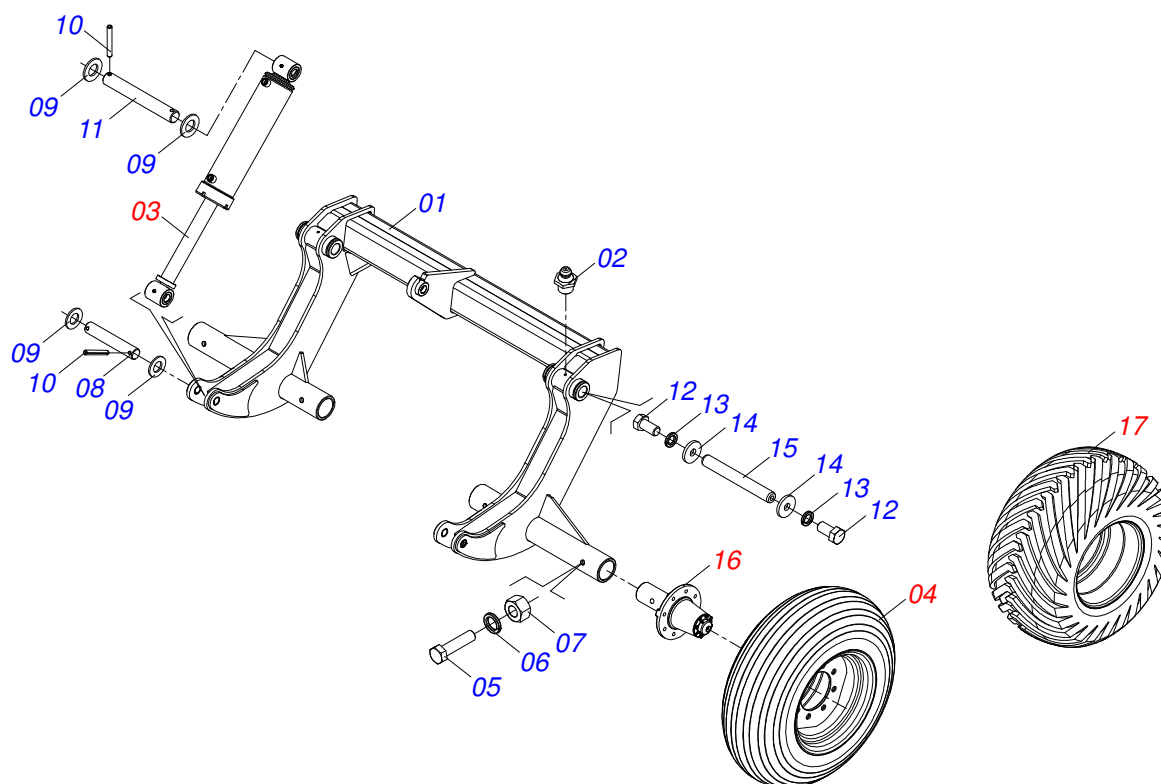
Item	Code	Description	See page	032	036	040	044	048	052
22	0501047887	ROD STOP		003	003	003	003	003	003
23	0501047888	ROD STOP		003	003	003	003	003	003
24	0561016693	TRANSPORT LOCK		002	002	002	002	002	002
25	0581010751	TRANSPORT LOCK		001	001	001	001	001	001
26	0541016844	FIXER LOCK		003	003	003	003	003	003
27	0503030285	HAIR PIN		003	003	003	003	003	003
28	0503010002	1800 GREASE FITTING		009	009	009	009	009	009
29	0501041102	1-1/4" X 3-3/4" ASSY BOLT		008	008	008	008	008	008
29A	0501015348	1-1/4" X 3-3/4" BOLT		008	008	008	008	008	008
29B	0501010953	1-1/4" SQUARE WASHER		008	008	008	008	008	008
29C	0531010713	FLAT WASHER		008	008	008	008	008	008
29D	0503010070	SPRING WASHER		008	008	008	008	008	008
29E	0501010087	1.1/4" NUT		008	008	008	008	008	008
30	0501011432	1-1/2" AND 1-5/8 GANG BOLT WRENCH		001	001	001	001	001	001
31	0501011431	1-3/4" GANG BOLT WRENCH		002	002	002	002	002	002
32	0503018438	1" WRENCH CYLINDRICAL HEX		001	001	001	001	001	001
33	0503016137	1-1/4" WRENCH CABLE CYLINDRICAL		001	001	001	001	001	001
34	0541015451	2.3/8" X 2.3/4" WRENCH		001	001	001	001	001	001
35	0503013150	1300 X 3/8 CHAIN		001	001	001	001	001	001
36	0521062849	HOSE HOLDER ASSY		001	001	001	001	001	001
37	0503010023	SPRING WASHER		007	007	007	007	007	007
38	0503010014	3/4" NUT		005	005	005	005	005	005
39	0511048088	DRAWBAR JACK	11	001	001	001	001	001	001
40	0561014251	COUPLING SHAFT		001	001	001	001	001	001
41	0503030012	HAIR PIN		001	001	001	001	001	001
42	0531018100	37,50 X 200 COUPLING SHAFT		002	002	002	002	002	002
43	0501011301	1.1/2 UNC 6FPP 2.5/16 NUT		002	002	002	002	002	002
44	0503010010	1/4" X 2.1/2" COTTERPIN		002	002	002	002	002	002
45	0511059196	VALVE FULL	12	001	001	001	001	001	001
46	0503011135	7/16" X 1-1/2" BOLT		003	003	003	003	003	003
47	0501012803	FLAT WASHER		004	004	004	004	004	004
48	0501052005	STABILIZER FOR GANG	13	001	001	001	001	001	001
49	0521810546	AXIS		002	002	002	002	002	002
50	0503010523	1/4" X 2" COTTERPIN		004	004	004	004	004	004
51	0511065926	FRONT SCRAPER SUPPORT		012	012	014	016	018	018
52	0511065925	REAR SCRAPER SUPPORT		013	013	015	017	019	019
53	0561014263	CLEANER SHOVEL		025	025	029	033	037	037
54	0503013842	5/8" UNC X 1-3/4" BOLT		050	050	058	033	037	037
55	0501012140	FLAT WASHER		050	050	058	066	074	074
56	0503010013	5/8" NUT		100	100	116	132	148	148
57	0503012195	5/8" NUT		050	050	058	033	037	037
58	0909092742	FRONT DISC SECTION		001	001	001	001	001	001
59	0909092743	REAR DISC SECTION		001	001	001	001	001	001
60	0909093697	HYDRAULIC CIRCUIT OF WHEELSETS WITH REAR HITCH	21	001	001	001	001	001	001
61	0503011173	7/16" X 2" BOLT		002	002	002	002	002	002
62	0571015395	CLEANER BEARING		004	006	006	006	006	008
63	0571015396	CLEANER BEARING		004	006	006	006	006	008



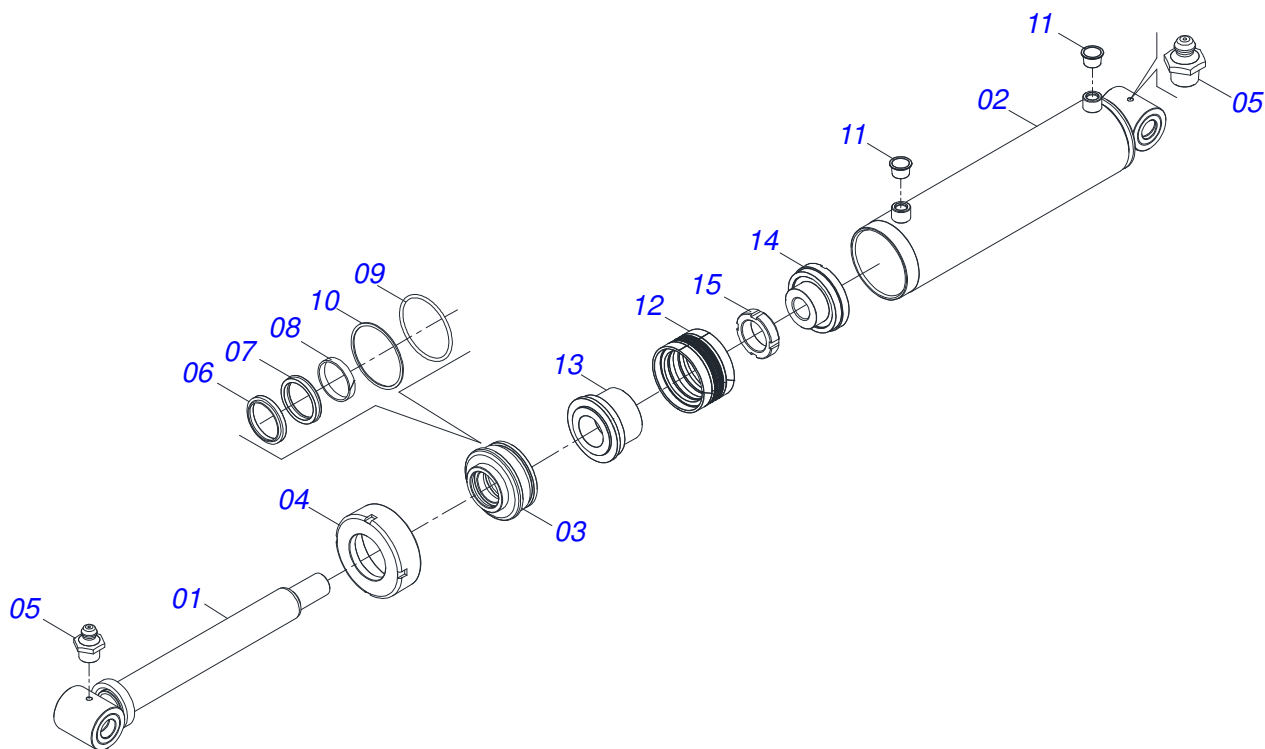
Item	Code	Description	See page	QT
001	0511071192	TRACTION BAR BODY		01
002	1902040223	PIN HITCH		01
003	1902040327	LOCK SLEEVE		01
004	0521012545	COUPLING SHAFT		01
005	0501011301	1.1/2 UNC 6FPP 2.5/16 NUT		06
006	0503010010	1/4" X 2.1/2" COTTERPIN		06
007	0511014902	COUPLING SHAFT		01
008	0503010571	1/4" X 1.1/2 COTTERPIN		01
009	1902040733	U COUPLING HOOK		01
010	0521011880	37,5 X 242 COUPLING SHAFT		05
011	0501012916	FLAT WASHER 38,50 X 66 X 4,75 ZN		05
012	0511067825	UPPER PLATE		01
013	0511067826	LOWER PLATE		01

WHEEL ASSY

0909093667

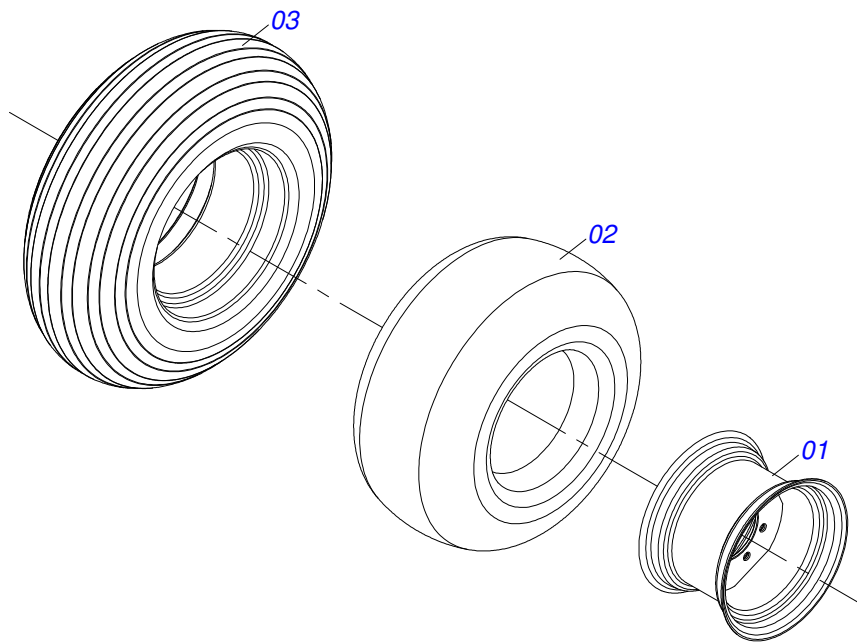


Item	Code	Description	See page	032	036	040	044	048	052
01	0521067803	CARRYNG-WHEELS		001	001	001	001	001	001
02	0503010002	1800 GREASE FITTING		002	002	002	002	002	002
03	0521051832	HYDRAULIC CYLINDER	4	002	002	002	002	002	002
04	0503060414	WHEEL AND TIRE	5	004	004	004	004	000	000
05	0503011198	C3/4" X 6" BOLT		004	004	004	004	004	004
06	0503010023	SPRING WASHER		004	004	004	004	004	004
07	0503010014	3/4" NUT		004	004	004	004	004	004
08	0531018101	1.2" X 6.3" PIVOT SHAFT		002	002	002	002	002	002
09	0501017779	FLAT WASHER		008	008	008	008	008	008
10	0503011877	0.3" X 2.4" SPRING PIN		008	008	008	008	008	008
11	0531018105	1.2" X 11.8" PIVOT SHAFT		002	002	002	002	002	002
12	0503011250	1" X 2" BOLT		004	004	004	004	004	004
13	0503010012	1" SPRING WASHER		004	004	004	004	004	004
14	0521011565	FLAT WASHER		004	004	004	004	004	004
15	0531018062	COUPLING SHAFT		002	002	002	002	002	002
16	0501056467	STUB SHAFT & HUB ASSY	7	004	004	004	004	004	004
17	0503060102	WHEEL AND TIRE	6	000	000	000	000	004	004

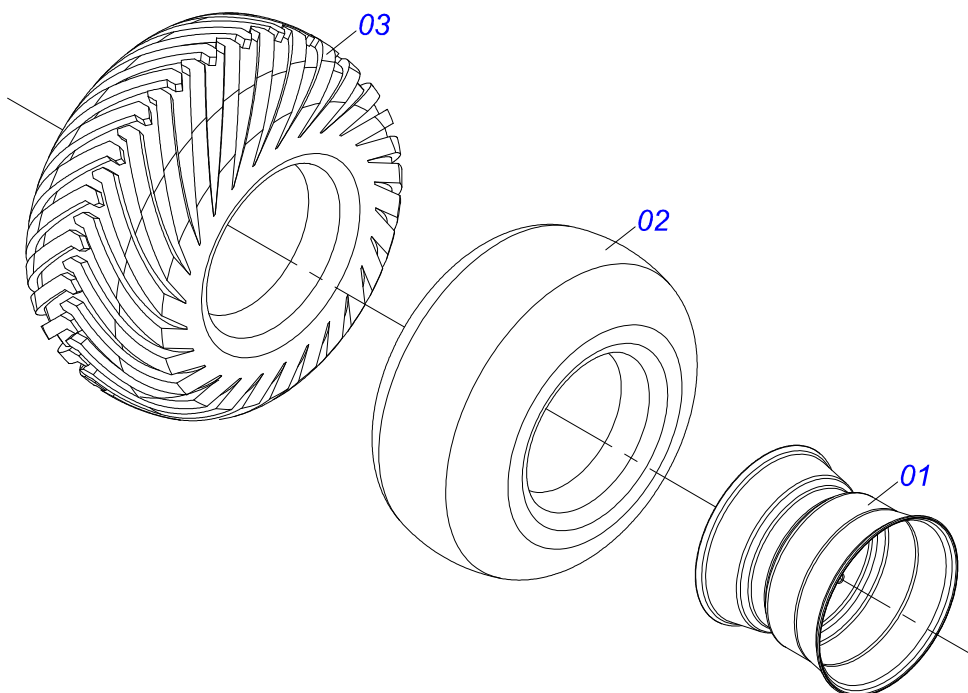


Item	Code	Description	See page	QT
01	0521061684	56,98 X 590,50 TURNBUCKLE		01
02	0521061685	114,30 X 500 CYLINDER CASE		01
03	0502012644	RING SUPPORT		01
04	0502011222	0.56" MOBILE COVER		01
05	0503010002	1800 GREASE FITTING		02
06	0503015715	SCRAPER SEALING		01
07	0503015642	U-CUP SEALING		01
08	0503015641	RING SLYDRING		00
09	0503011892	2-346 N 3006-9B O'RING		01
10	0503011893	8-346 BACK-UP RING		01
11	0503030384	CON N-001 PLUG		02
12	0503015640	SEALING SELEMASTER		01
13	0561016578	PISTON BODY		01
14	0581015283	BODY		01
15	0503819100	SCREW		01

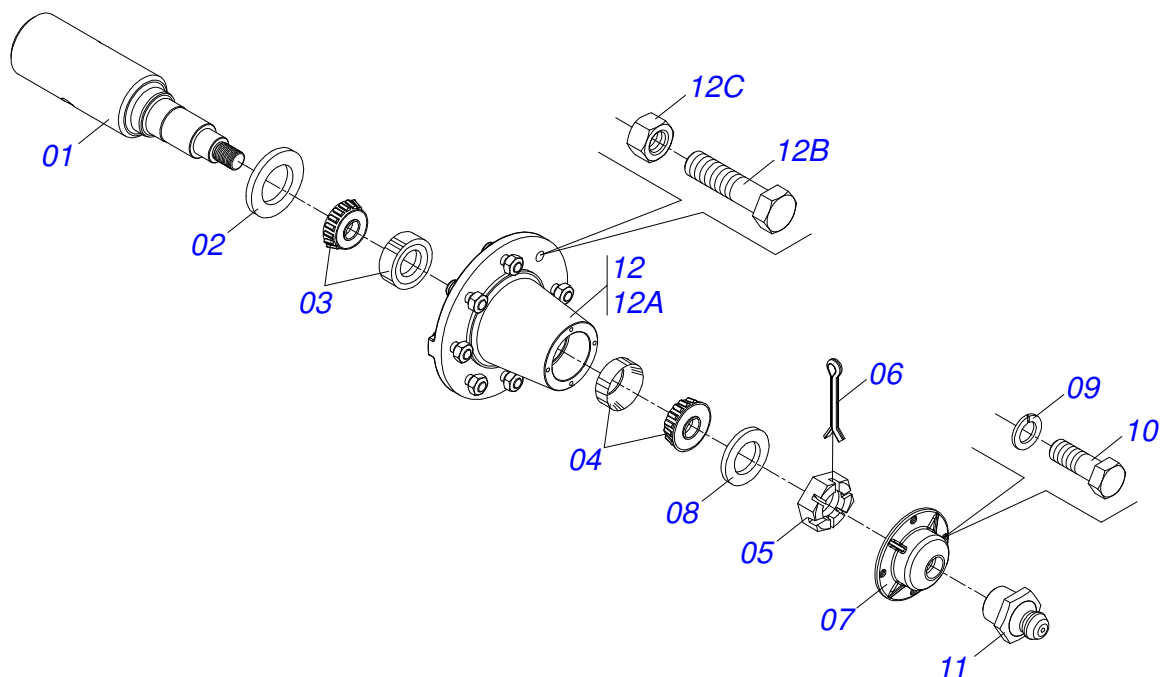




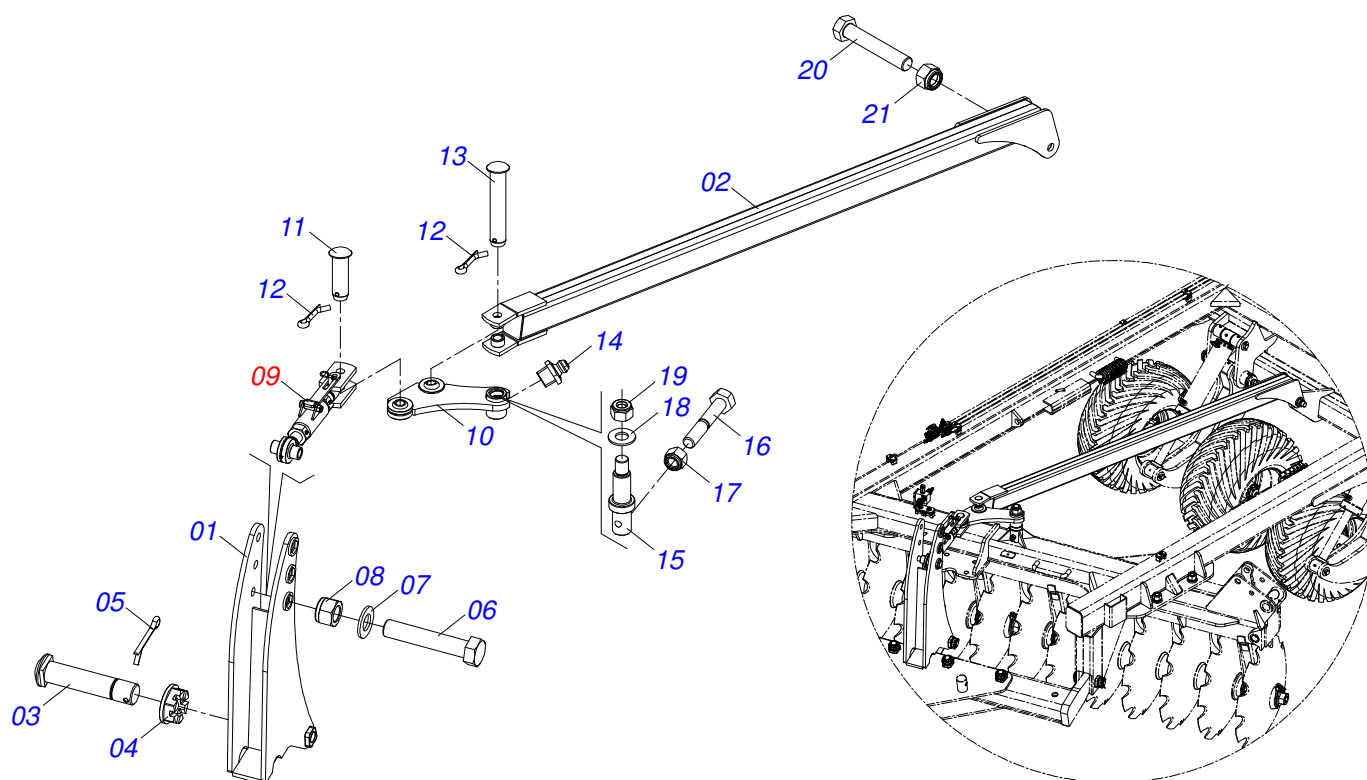
Item	Code	Description	See page	QT
01	0503012108	RODA 10 LB X 15 X 8F X 203 GCRO		01
02	0503010860	CAMARA AR 11L 15		01
03	0503011469	RIB TIRE 12L		01



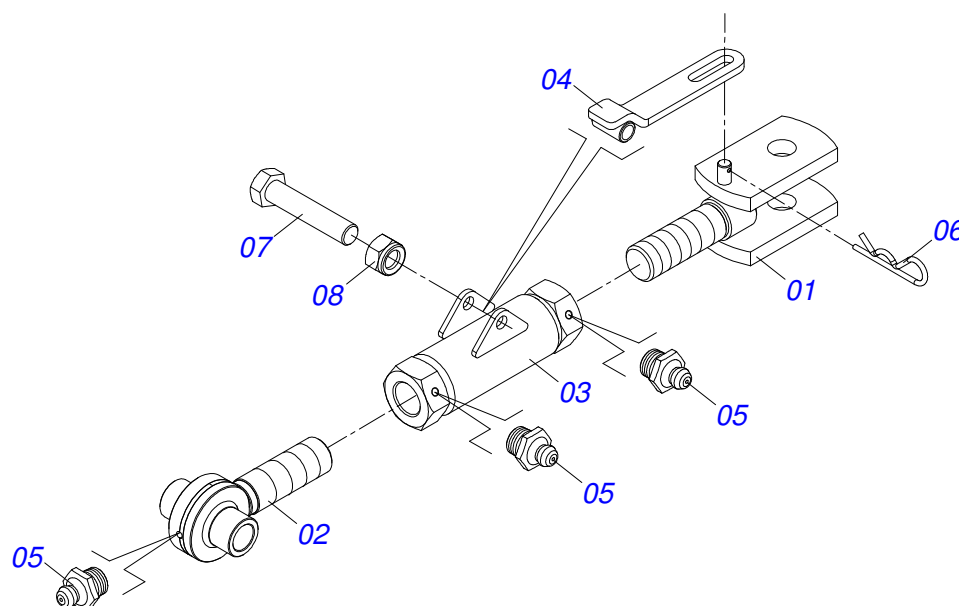
Item	Code	Description	See page	QT
001	0501069483	WHEEL		01
002	0503012112	400/60 - 15.5 TR 15 INNER TIRE		01
003	0503013119	CANVAS TIRE		01



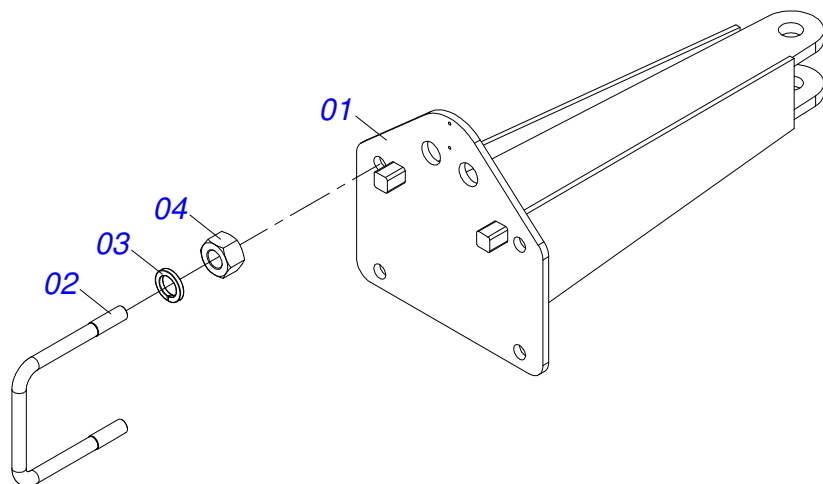
Item	Code	Description	See page	QT
01	0541016566	POINT AXIS 3.1/2 X 375 GCRO 7010		01
02	0503013314	RETENTOR 5166-GB 63,5 X 110 X 13 ARCA		01
03	0503015290	3780/3720 ROLLER BEARING		01
04	0503014821	ROLLER BEARING		01
05	0503830009	1" X 0.9" CASTLE NUT		01
06	0503010018	5/32 X 1-1/2 COTTERPIN		01
07	0502020591	PROTECCION COVER		01
08	0511812492	FLAT WASHER		01
09	0503011444	SPRING WASHER		04
10	0503810358	5/16" X 7/8" UNC BOLT		04
11	0503010002	1800 GREASE FITTING		01
12	0501110738	CARRYING WHEEL HUB		01
12A	0502012260	CAIXA RODADO TRANSPORTE		01
12B	0501010186	PARAFUSO ROD 5/8UNF X 2.1/8CR		08
12C	0503010064	5/8 UNF CONIC NUT		08



Item	Code	Description	See page	QT
01	0521066758	HEADER ARTICULATOR		01
02	0521067799	STABILIZER BAR		01
03	0521012053	1.5" X 8.6" AXLE		01
04	0501011301	1.1/2 UNC 6FPP 2.5/16 NUT		01
05	0503010010	1/4" X 2.1/2" COTTERPIN		01
06	0521017351	1-1/4" X 8" BOLT		01
07	0501017779	FLAT WASHER		01
08	0503010817	1-1/4" SELF-ADJUSTING NUT		01
09	0511059199	AIR TURNBUCKLE STABILIZER BAR	9	01
10	0521066960	ARTICULADOR STABILIZER BAR		01
11	0521010780	1.2" X 4.5" COUPLING SHAFT		01
12	0503010523	1/4" X 2" COTTERPIN		02
13	0581811919	AXIS JUNCTION		01
14	0503010002	1800 GREASE FITTING		01
15	0581011775	EJE PIVOT SHAFT STABILIZER BAR		01
16	0501010216	3/4" X 4-1/2" BOLT		01
17	0503011075	NUT		01
18	0501010287	FLAT WASHER		01
19	0503010290	SELF ADJUSTING 1.1/2" UNF NUT		01
20	0503013321	SCREW 1.1/4 UNF X 7 C S G.8 ZN		01
21	0503010817	1-1/4" SELF-ADJUSTING NUT		01

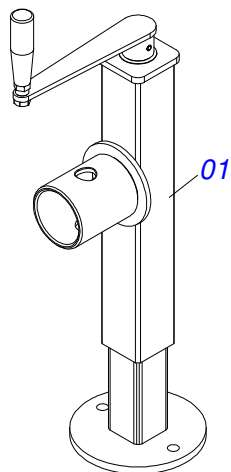


Item	Code	Description	See page	QT
001	0521066962	JACK CRANK C/O. R.1.3/4 ESQ GCRO 7010		01
002	0521066965	JACK CRANK NUT FIXER R.1.3/4 UNC DIR GCRO 7010		01
003	0521066963	ADJUSTMENT NUT R.1.3/4 UNC (245) GCRO 7010/13		01
004	0521066964	LEVER STABILIZER OF TENSOR REGULATOR		01
005	0503010002	1800 GREASE FITTING		03
006	0503030285	HAIR PIN		01
007	0503010806	5/8" X 3" BOLT		01
008	0503010878	5/8" SELF ALIGNING NUT		01

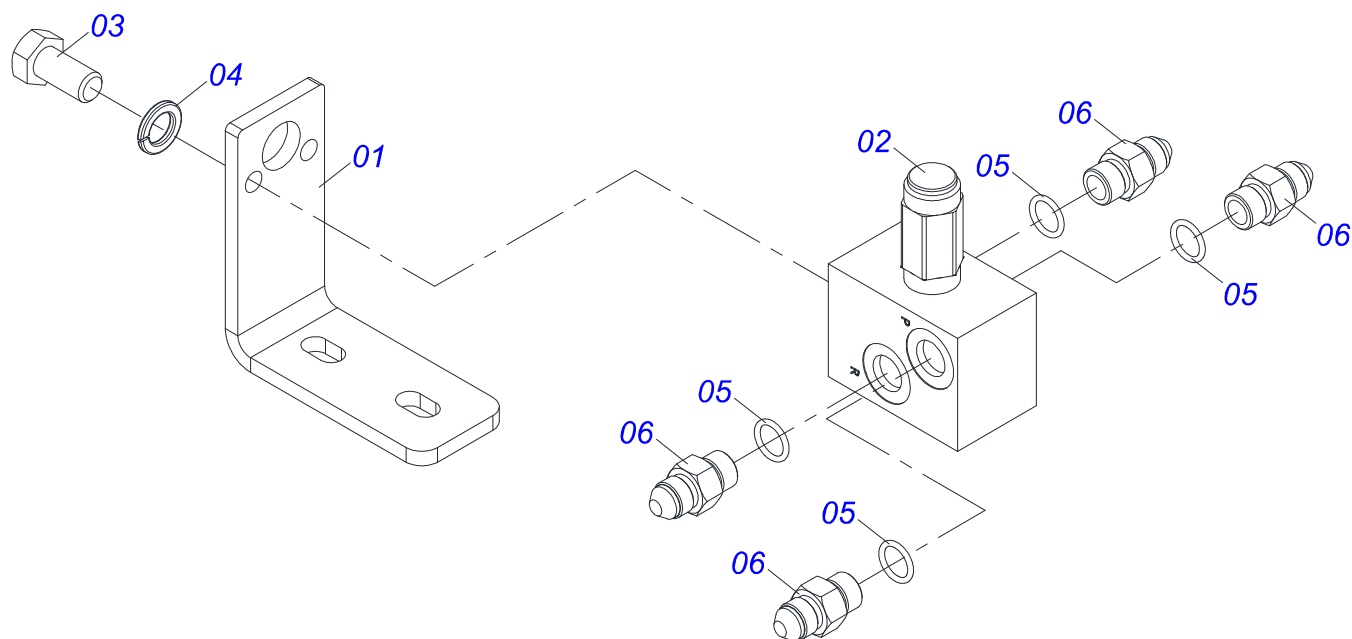


Item	Code	Description	See page	QT
01	0501069421	REAR HITCH GCRO		01
02	0541016679	7/8 UNF X 188,5 FASTENER		02
03	0503010408	7/8" SPRING WASHER		04
04	0503010558	7/8" NUT		04

DRAWBAR JACK

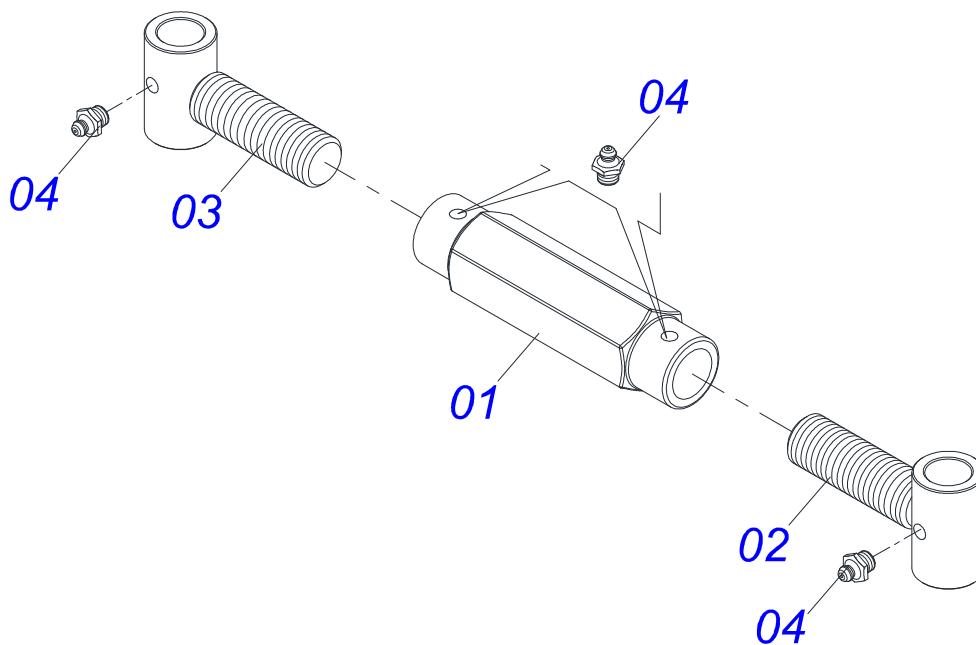


Item	Code	Description	See page	QT
01	0503062227	DRAWBAR JACK		01



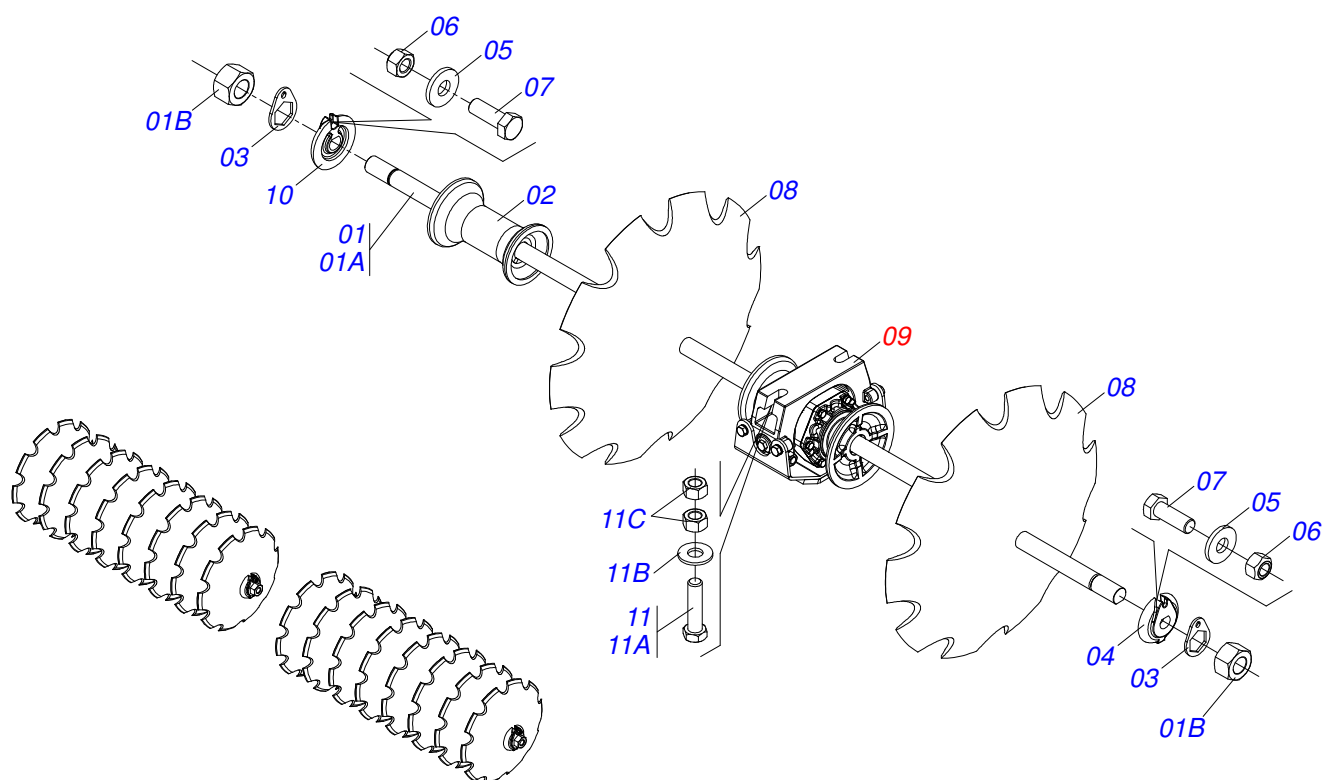
Item	Code	Description	See page	QT
001	0581011745	VALVE SUPPORT		01
002	0503010919	DISCHARGE VALVE		01
003	0503011334	3/8" X 3/4" BOLT		02
004	0503010025	3/8 SPRING WASHER		02
005	0503010190	2-114 N 3006-9B O'RING		04
006	0501010617	3/4" NIPPLE		04





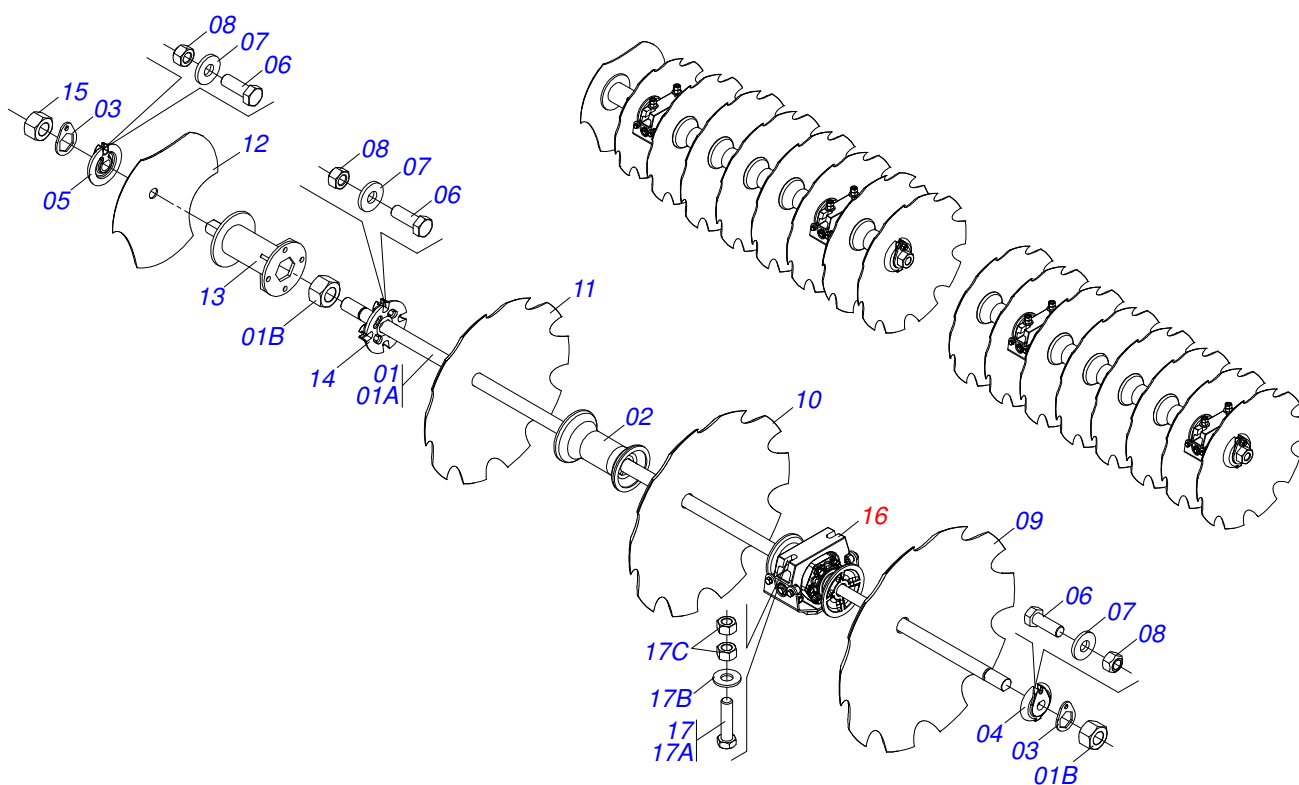
Item	Code	Description	See page	QT
01	0502011469	245 ADJUSTMENT NUT		01
02	0501069416	JACKET		01
03	0501069417	JACK CRANK		01
04	0503010002	1800 GREASE FITTING		04

32D - FRONT DISC SECTION

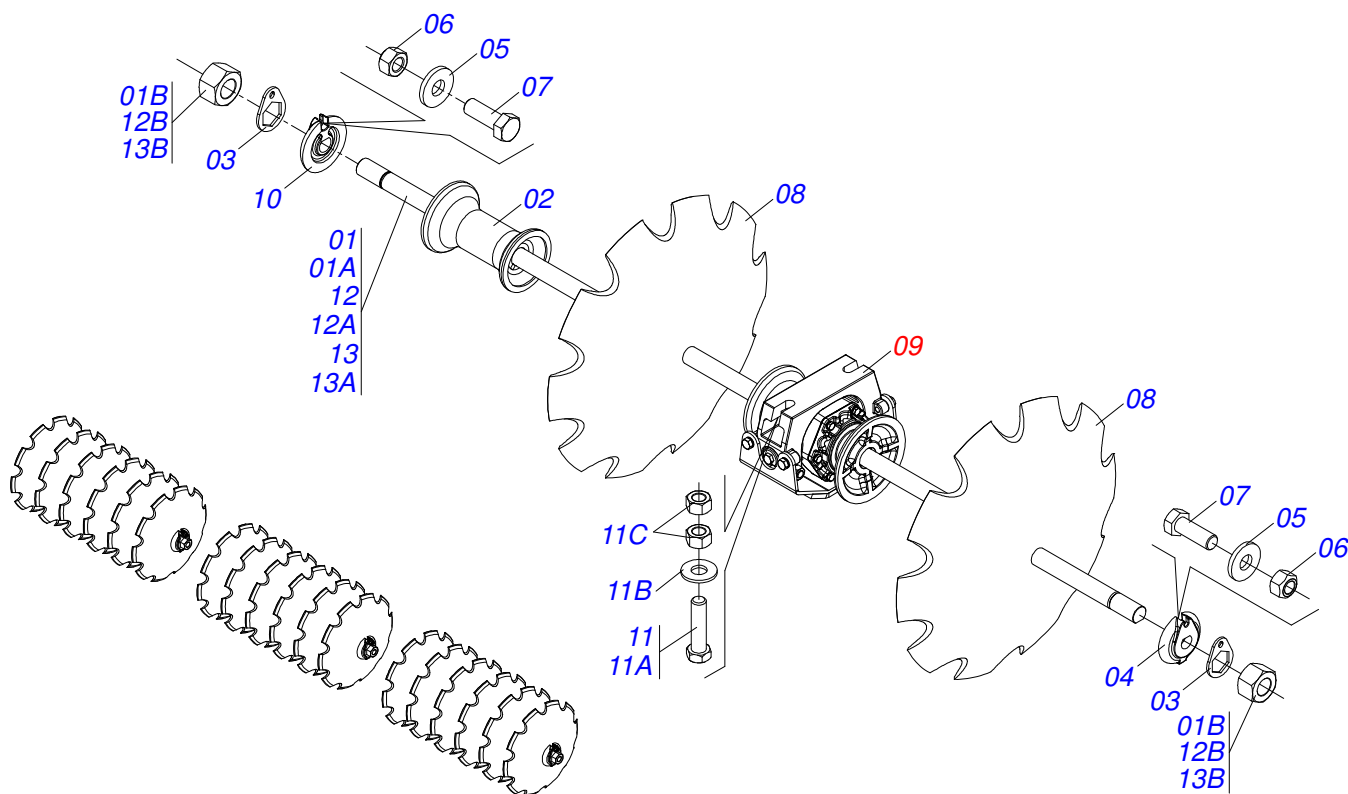


Item	Code	Description	See page	QT
01	0501046859	1-5/8" X 70" AXLE WITH NUTS 2-3/4"		02
01A	0501015631	1-5/8" X 70" AXLE		02
01B	0502840640	1.5/8" 2.3/4" NUT		04
02	0502010626	8.9" 1-5/8" SPACER		10
03	0511014339	1-5/8" 2.8" NUT LOCK		04
04	0502011048	1-5/8" EXTERNAL AXLE WASHER		02
05	0501012140	FLAT WASHER		04
06	0503012412	HEX SELF ADJUSTING NUT 5/8 UNC S		04
07	0503010232	5/8" X 1.3/4" BOLT		04
08	0602037829	DR28X7,5 C102AF02FR1.11/16 10R TATU		10
09	0511048374	BEARING DM OL 225 X 1.5/8 OSC C/SUPT/PROT 20 IMP		04
10	0502011047	1-5/8" INNER AXLE WASHER		04
11	0521047424	SCREW ASSY		08
11A	0501010500	3/4"X3"BOLT		08
11B	0501010322	FLAT WASHER		08
11C	0503012183	SNC 3/4" ZIN 1K03097 NUT		16

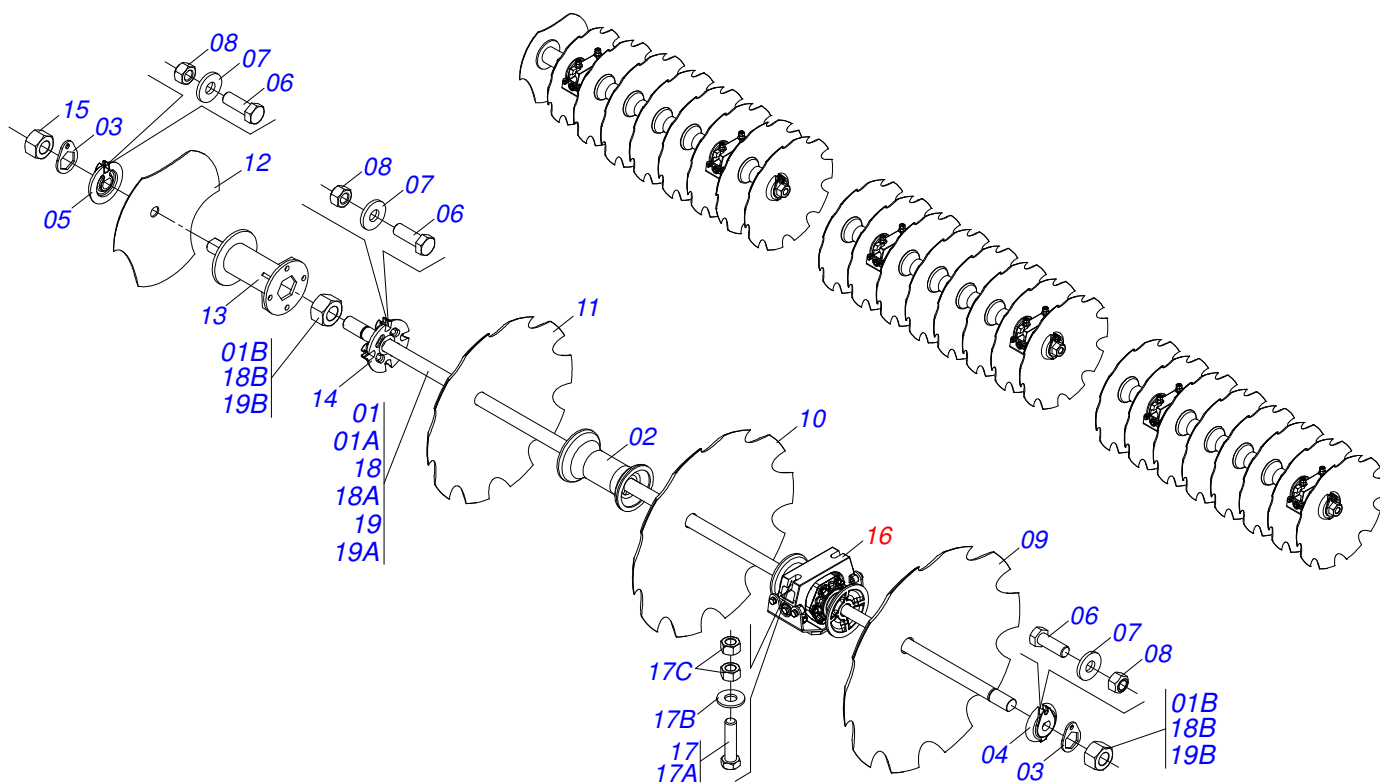
32D - REAR DISC SECTION



Item	Code	Description	See page	QT
01	0501046859	1-5/8" X 70" AXLE WITH NUTS 2-3/4"	02	
01A	0501015631	1-5/8" X 70" AXLE	02	
01B	0502040640	1.5/8" 2.3/4" NUT	04	
02	0502010626	8.9" 1-5/8" SPACER	10	
03	0511014339	1-5/8" 2.8" NUT LOCK	04	
04	0502011047	1-5/8" INNER AXLE WASHER	02	
05	0502011048	1-5/8" EXTERNAL AXLE WASHER	02	
06	0503010232	5/8" X 1.3/4" BOLT	08	
07	0501012140	FLAT WASHER	08	
08	0503012412	HEX SELF ADJUSTING NUT 5/8 UNC S	08	
09	0602037829	DR28X7,5 C102AF02FR1.11/16 10R TATU	14	
10	0602033145	DR26X7,5 C89AF02FR42,86 10REC ROME	01	
11	0602030424	DR24X7,5 C85AF02FR1.11/16 10REC	01	
12	0602029301	22" X 0.2" NOTCHED DISC BLADE	01	
13	0521064277	186 SPACER	01	
14	0502012377	1-5/8" EXTERNAL AXLE LOK	01	
15	0502040640	1.5/8" 2.3/4" NUT	01	
16	0511048374	BEARING DM OL 225 X 1.5/8 OSC C/SUPT/PROT 20 IMP	04	
17	0521047424	SCREW ASSY	08	
17A	0501010500	3/4"X3"BOLT	08	
17B	0501010322	FLAT WASHER	08	
17C	0503012183	SNC 3/4" ZIN 1K03097 NUT	16	

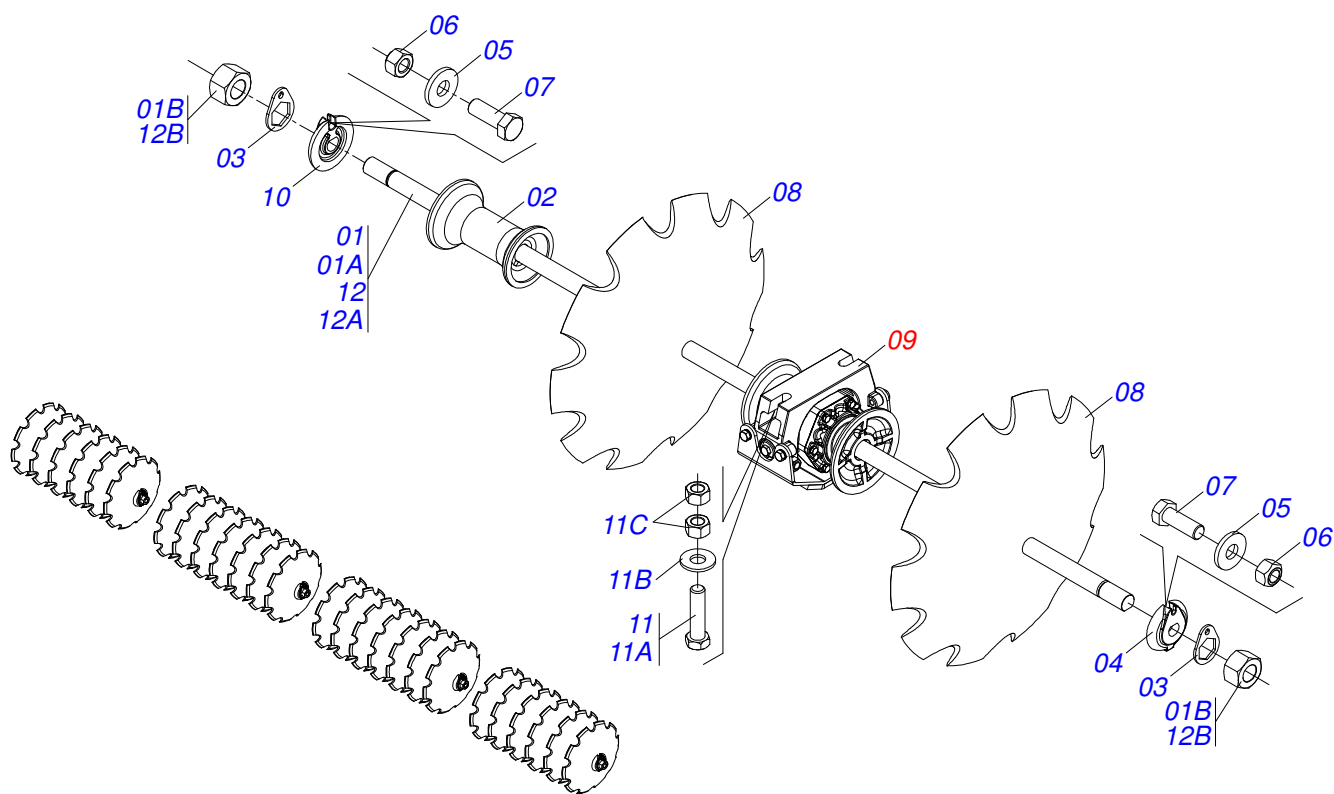


Item	Code	Description	See page	036	040	044	048
01	0501046857	1-5/8" X 61" AXLE WITH NUTS 2-3/4"		000	002	002	000
01A	0501015632	1-5/8" X 61" AXLE		000	002	002	000
01B	0502040640	1.5/8" 2.3/4" NUT		000	004	004	000
02	0502010626	8.9" 1-5/8" SPACER		009	011	013	015
03	0511014339	1-5/8" 2.8" NUT LOCK		006	006	006	006
04	0502011048	1-5/8" EXTERNAL AXLE WASHER		003	003	003	003
05	0501012140	FLAT WASHER		006	006	006	006
06	0503012412	HEX SELF ADJUSTING NUT 5/8 UNC S		006	006	006	006
07	0503010232	5/8" X 1.3/4" BOLT		006	006	006	006
08	0602037829	DR28X7,5 C102AF02FR1.11/16 10R TATU		018	020	022	024
09	0511048374	BEARING DM OL 225 X 1.5/8 OSC C/SUPT/PROT 20 IMP		006	006	006	006
10	0502011047	1-5/8" INNER AXLE WASHER		003	003	003	003
11	0521047424	SCREW ASSY		012	012	012	012
11A	0501010500	3/4"X3"BOLT		012	012	012	012
11B	0501010322	FLAT WASHER		012	012	012	012
11C	0503012183	SNC 3/4" ZIN 1K03097 NUT		024	024	024	024
12	0501046855	1-5/8" X 52" AXLE WITH NUTS 2-3/4"		003	001	000	000
12A	0501015237	1-5/8" X 52" AXLE		003	001	000	000
12B	0502040640	1.5/8" 2.3/4" NUT		006	002	000	000
13	0501046859	1-5/8" X 70" AXLE WITH NUTS 2-3/4"		000	000	001	003
13A	0501015631	1-5/8" X 70" AXLE		000	000	001	003
13B	0502040640	1.5/8" 2.3/4" NUT		000	000	002	006



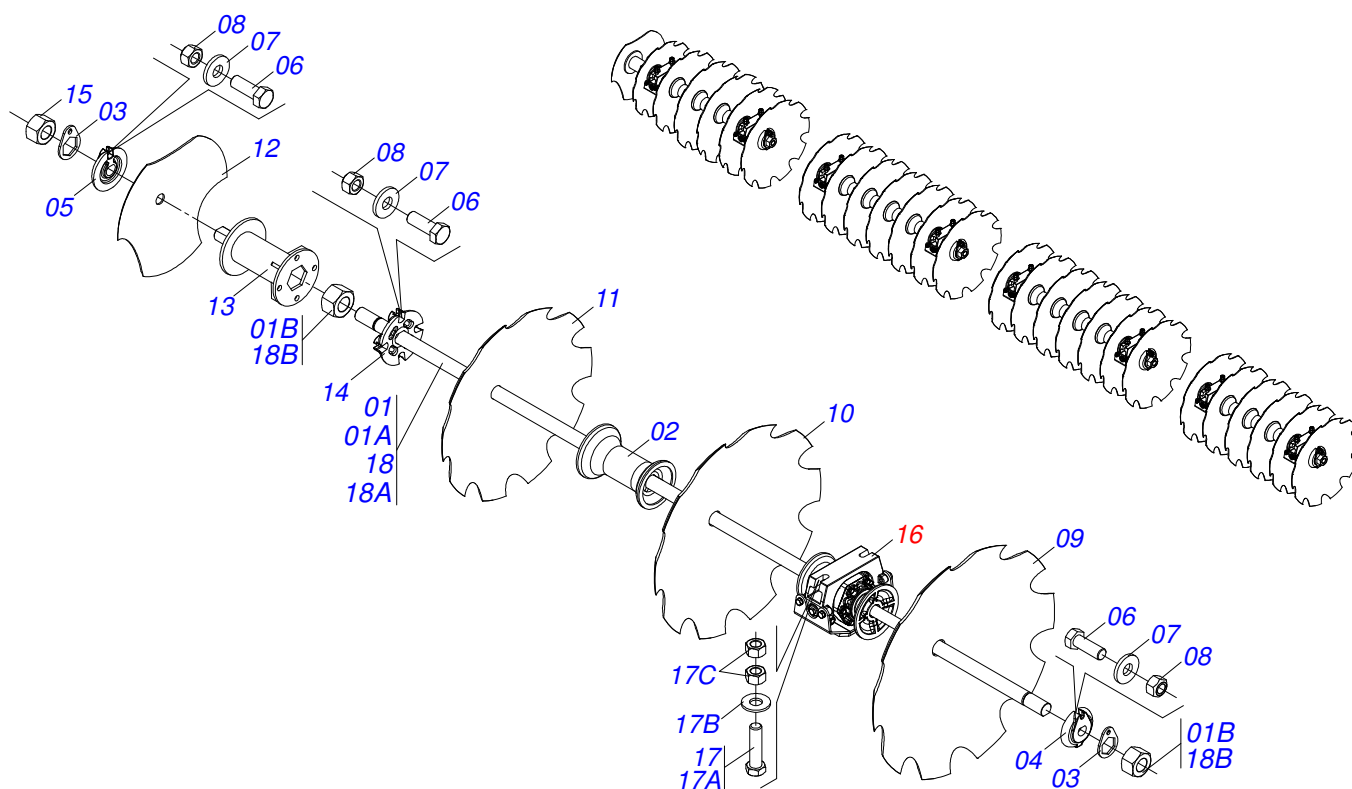
Item	Code	Description	See page	036	040	044	048
01	0501046859	1-5/8" X 70" AXLE WITH NUTS 2-3/4"		000	000	001	003
01A	0501015631	1-5/8" X 70" AXLE		000	000	001	003
01B	0502040640	1.5/8" 2.3/4" NUT		000	000	002	006
02	0502010626	8.9" 1-5/8" SPACER		009	011	012	015
03	0511014339	1-5/8" 2.8" NUT LOCK		006	006	006	006
04	0502011047	1-5/8" INNER AXLE WASHER		003	003	003	003
05	0502011048	1-5/8" EXTERNAL AXLE WASHER		003	003	003	003
06	0503010232	5/8" X 1.3/4" BOLT		010	010	010	010
07	0501012140	FLAT WASHER		010	010	010	010
08	0503012412	HEX SELF ADJUSTING NUT 5/8 UNC S		010	010	010	010
09	0602037829	DR28X7,5 C102AF02FR1.11/16 10R TATU		016	018	020	022
10	0602033145	DR26X7,5 C89AF02FR42,86 10REC ROME		001	001	001	001
11	0602030424	DR24X7,5 C85AF02FR1.11/16 10REC		001	001	001	001
12	0602029301	22" X 0.2" NOTCHED DISC BLADE		001	001	001	001
13	0521064277	186 SPACER		001	001	001	001
14	0502012377	1-5/8" EXTERNAL AXLE LOK		001	001	001	001
15	0502040640	1.5/8" 2.3/4" NUT		001	001	001	001
16	0511048374	BEARING DM OL 225 X 1.5/8 OSC C/SUPT/PROT 20 IMP		006	006	006	006
17	0521047424	SCREW ASSY		012	012	012	012
17A	0501010500	3/4"X3"BOLT		012	012	012	012
17B	0501010322	FLAT WASHER		012	012	012	012
17C	0503012183	SNC 3/4" ZIN 1K03097 NUT		024	024	024	024
18	0501046855	1-5/8" X 52" AXLE WITH NUTS 2-3/4"		003	001	000	000
18A	0501015237	1-5/8" X 52" AXLE		003	001	000	000
18B	0502040640	1.5/8" 2.3/4" NUT		006	002	000	000
19	0501046857	1-5/8" X 61" AXLE WITH NUTS 2-3/4"		000	002	002	000
19A	0501015632	1-5/8" X 61" AXLE		000	002	002	000
19B	0502040640	1.5/8" 2.3/4" NUT		000	004	004	000

52D - FRONT DISC SECTION

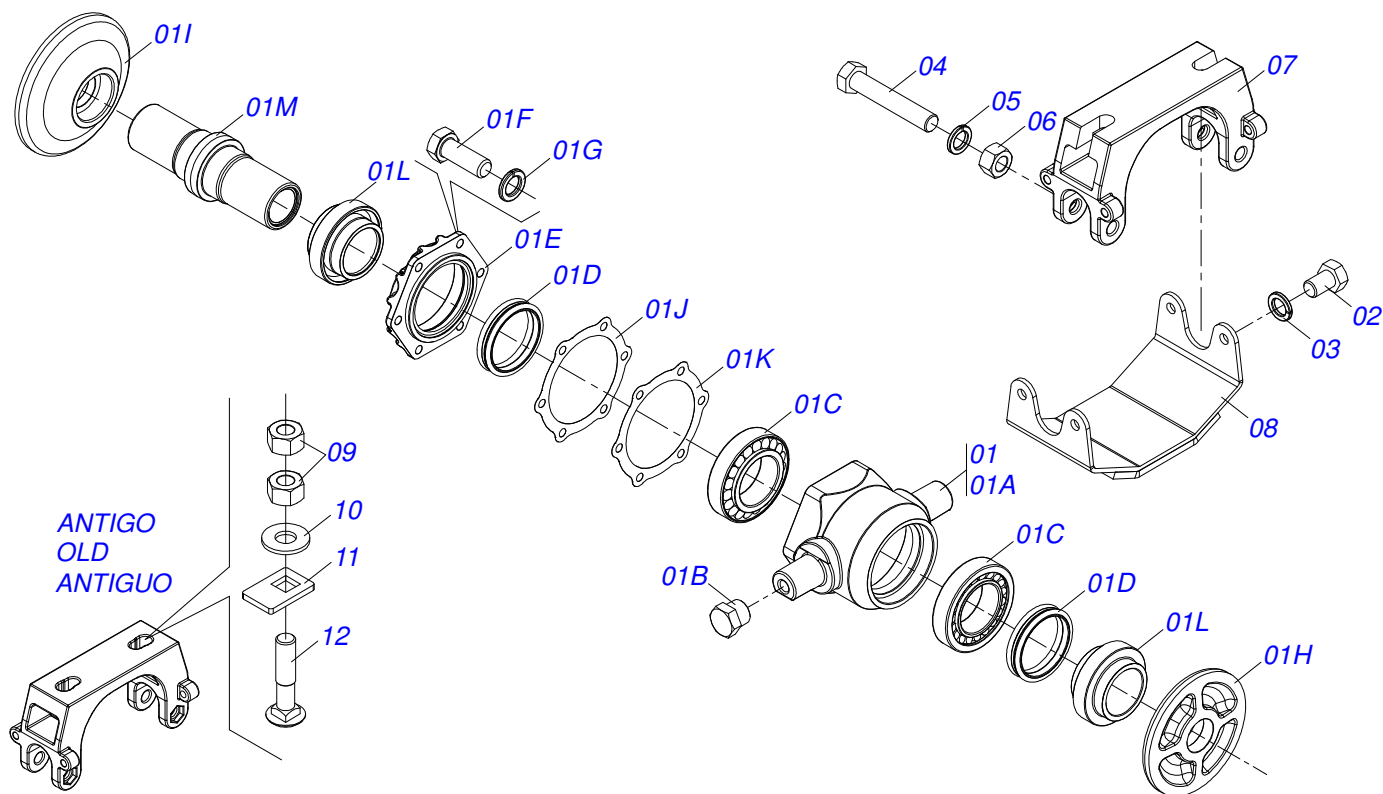


Item	Code	Description	See page	QT
01	0501046855	1-5/8" X 52" AXLE WITH NUTS 2-3/4	02	
01A	0501015237	1-5/8" X 52" AXLE	02	
01B	0502040640	1.5/8" 2.3/4" NUT	04	
02	0502010626	8.9" 1-5/8" SPACER	14	
03	0511014339	1-5/8" 2.8" NUT LOCK	08	
04	0502011048	1-5/8" EXTERNAL AXLE WASHER	04	
05	0501012140	FLAT WASHER	08	
06	0503012412	HEX SELF ADJUSTING NUT 5/8 UNC S	08	
07	0503010232	5/8" X 1.3/4" BOLT	08	
08	0602037829	DR28X7,5 C102AF02FR1.11/16 10R TATU	26	
09	0511048374	BEARING DM OL 225 X 1.5/8 OSC C/SUPT/PROT 20 IMP	08	
10	0502011047	1-5/8" INNER AXLE WASHER	04	
11	0521047424	SCREW ASSY	16	
11A	0501010500	3/4"X3"BOLT	16	
11B	0501010322	FLAT WASHER	16	
11C	0503012183	SNC 3/4" ZIN 1K03097 NUT	32	
12	0501046857	1-5/8" X 61" AXLE WITH NUTS 2-3/4"	02	
12A	0501015632	1-5/8" X 61" AXLE	02	
12B	0502040640	1.5/8" 2.3/4" NUT	04	

52D - REAR DISC SECTION

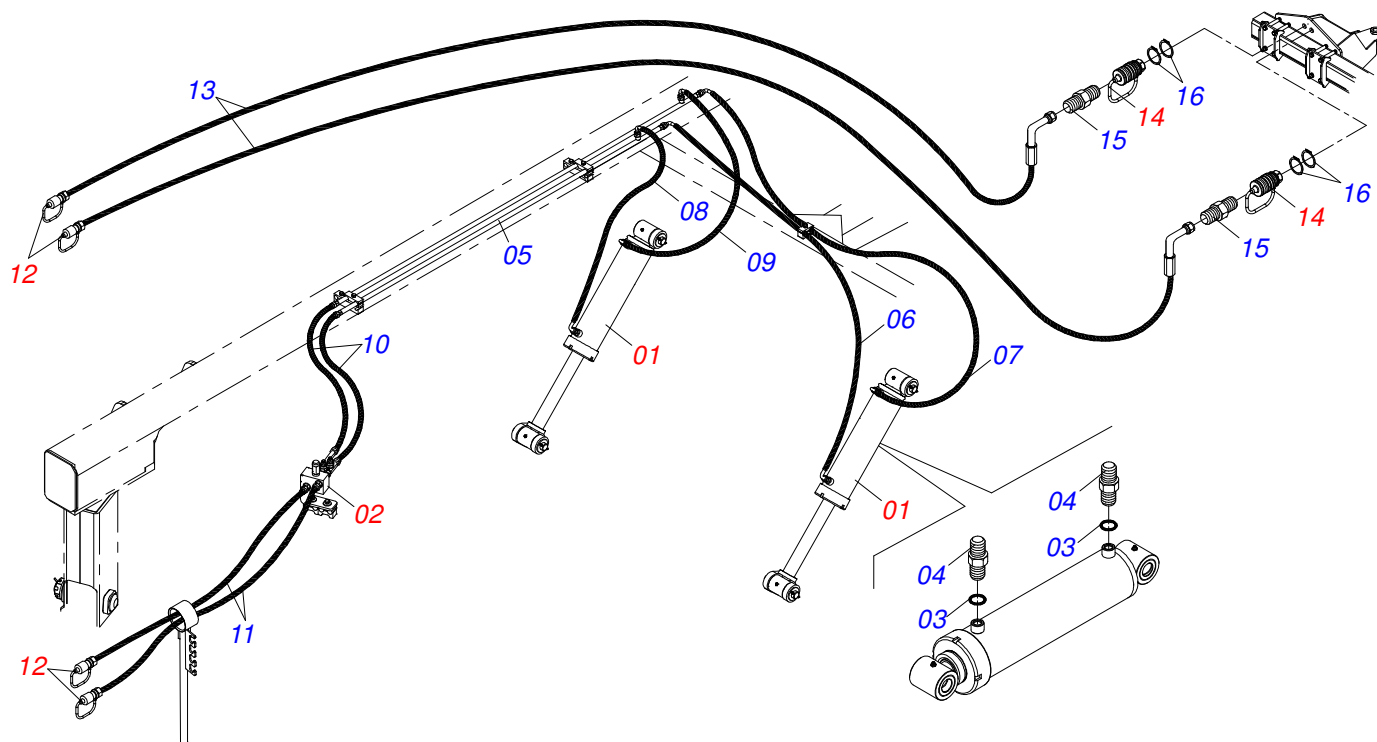


Item	Code	Description	See page	QT
01	0501046857	1-5/8" X 61" AXLE WITH NUTS 2-3/4"	02	
01A	0501015632	1-5/8" X 61" AXLE	02	
01B	0502040640	1.5/8" 2.3/4" NUT	04	
02	0502010626	8.9" 1-5/8" SPACER	14	
03	0511014339	1-5/8" 2.8" NUT LOCK	08	
04	0502011047	1-5/8" INNER AXLE WASHER	04	
05	0502011048	1-5/8" EXTERNAL AXLE WASHER	04	
06	0503010232	5/8" X 1.3/4" BOLT	12	
07	0501012140	FLAT WASHER	12	
08	0503012412	HEX SELF ADJUSTING NUT 5/8 UNC S	12	
09	0602037829	DR28X7,5 C102AF02FR1.11/16 10R TATU	24	
10	0602033145	DR26X7,5 C89AF02FR42,86 10REC ROME	01	
11	0602030424	DR24X7,5 C85AF02FR1.11/16 10REC	01	
12	0602029301	22" X 0.2" NOTCHED DISC BLADE	01	
13	0521064277	186 SPACER	01	
14	0502012377	1-5/8" EXTERNAL AXLE LOK	01	
15	0502040640	1.5/8" 2.3/4" NUT	01	
16	0511048374	BEARING DM OL 225 X 1.5/8 OSC C/SUPT/PROT 20 IMP	08	
17	0521047424	SCREW ASSY	16	
17A	0501010500	3/4"X3"BOLT	16	
17B	0501010322	FLAT WASHER	16	
17C	0503012183	SNC 3/4" ZIN 1K03097 NUT	32	
18	0501046855	1-5/8" X 52" AXLE WITH NUTS 2-3/4"	02	
18A	0501015237	1-5/8" X 52" AXLE	02	
18B	0502040640	1.5/8" 2.3/4" NUT	04	



Item	Code	Description	See page	QT
01	0501059734	225 OSCILLATING BEARING		01
01A	0502020691	AGRICULTURAL BEARING BOX		01
01B	0503010856	OIL PLUG		02
01C	0503010005	32212 ROLLER BEARING		02
01D	0503030027	DUO-CONE SEAL		02
01E	0502020161	WEAR PLATE BEARING		01
01F	0503010237	3/8" X 1" BOLT		06
01G	0503011443	SPRING WASHER		06
01H	0502040240	INNER FLANGE		01
01I	0502040239	OUTER FLANGE		01
01J	0503030030	5.6" X 4.4" X 0.01" GASKET		01
01K	0503030685	5.5" X 4.4" X 0.003" GASKET		01
01L	0502040287	SEAL RETAINER		02
01M	0502010899	AXLE CM/DM		01
02	0503011401	1/2" X 3/4" BOLT		04
03	0503010019	1/2" SPRING WASHER		04
04	0503010762	5/8" X 3-12" BOLT		02
05	0503010027	SPRING WASHER		02
06	0503010013	5/8" NUT		02
07	0502012626	CENTER OSCILLATING BEARING SUPPORT		01
08	0521067341	BEARING SWING COVER WITH ENHANCED		01
09	0503010014	3/4" NUT		04
10	0501010322	FLAT WASHER		02
11	0541014269	3/4 SQUARE WASHER		02
12	0501010950	3/4" X 3-1/2" BOLT		02





Item	Code	Description	See page	QT
01	0521051832	HYDRAULIC CYLINDER	4	02
02	0511059196	VALVE FULL	12	01
03	0503010190	2-114 N 3006-9B O'RING		04
04	0501010617	3/4" NIPPLE		04
05	0521067804	OIL DISTRIBUTOR DUCT		02
06	0501080370	TC-TC HOSE ASSY		01
07	0501080644	3/8" X 78.7" TC-TC HOSE ASSY		01
08	0501080065	3/8 X 1200 TC-TC HOSE ASSY		01
09	0501082058	HOSE 3/8 X 800 TC-TC		01
10	0501080106	TR-TR HOSE ASSY		02
11	0501080205	HOSE 3/8 X 5500 TR-TM		02
12	0501053834	MALE QUICK COUPLING AGRICULTURAL WITH COVER - 1/2 NPT		04
13	0501081322	3/8" X 11500 TC-TM HOSE		02
14	0501053835	FEMALE QUICK COUPLER		02
15	0571015342	3/4" NIPPLE		02
16	0503010217	501040 CLAMPING RING (FOR AXLE)		04





**MARCHESAN IMPLEMENTOS E MÁQUINAS AGRÍCOLAS TATU S.A.**

AV. Marchesan, 1979 - Post office box, 131 - CEP 15994-900 - Matão - SP - Brazil

Phone +55 16.3382-8282

(FAX Parts) + 55 16.3382. 8297 - (Export) + 55 16.3382.1003

e.mail: [tatu@marchesan.com.br](mailto:tatu@marchesan.com.br) [www.marchesan.com.br](http://www.marchesan.com.br)

**Technical Publications: Elaboration**

ALESSANDRA PATRICIA KAWAHARA CARRILI

**Technical Publications: Revision**

JOSÉ DOMINGOS GASPARI

*Contact Catálogo:*

*E-mail = [jgaspari@marchesan.com.br](mailto:jgaspari@marchesan.com.br)*

**ORIGINAL PARTS  
TATU**

