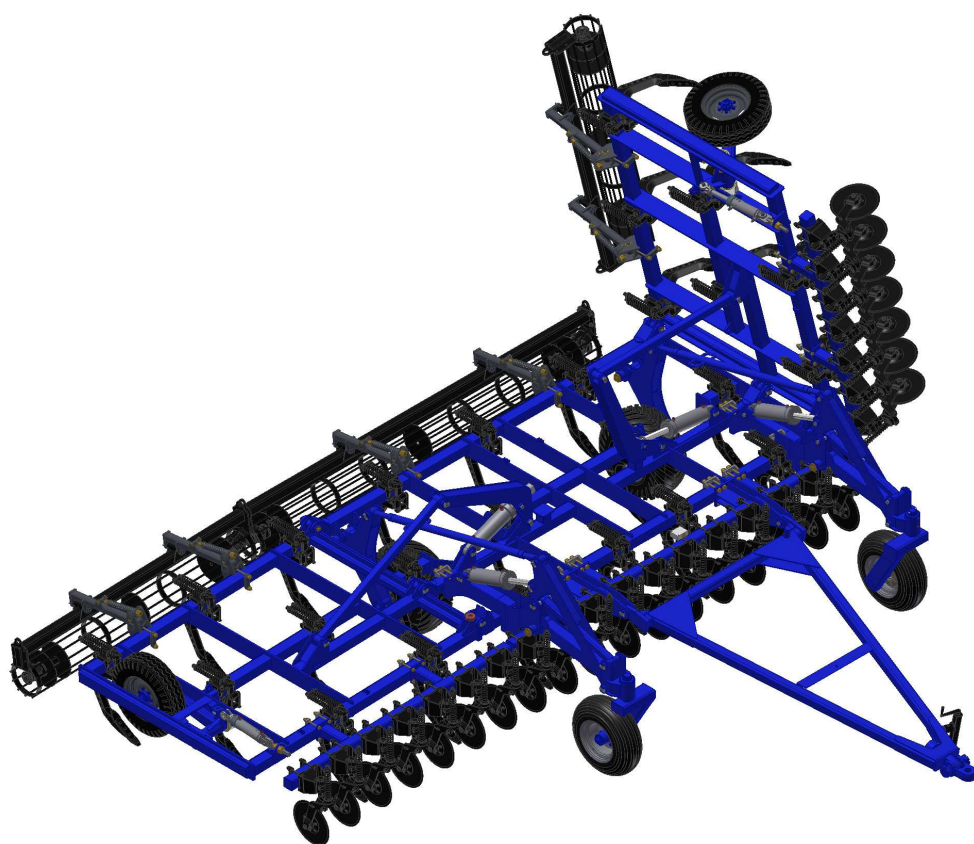


PARTS CATALOG

SUBSOILER PLOW

AST/MATIC 450 21/25H

Code: 0501092111



Series: S-0114

Review: JANEIRO/2018

ORIGINAL PARTS
TATU



PRODUCTS

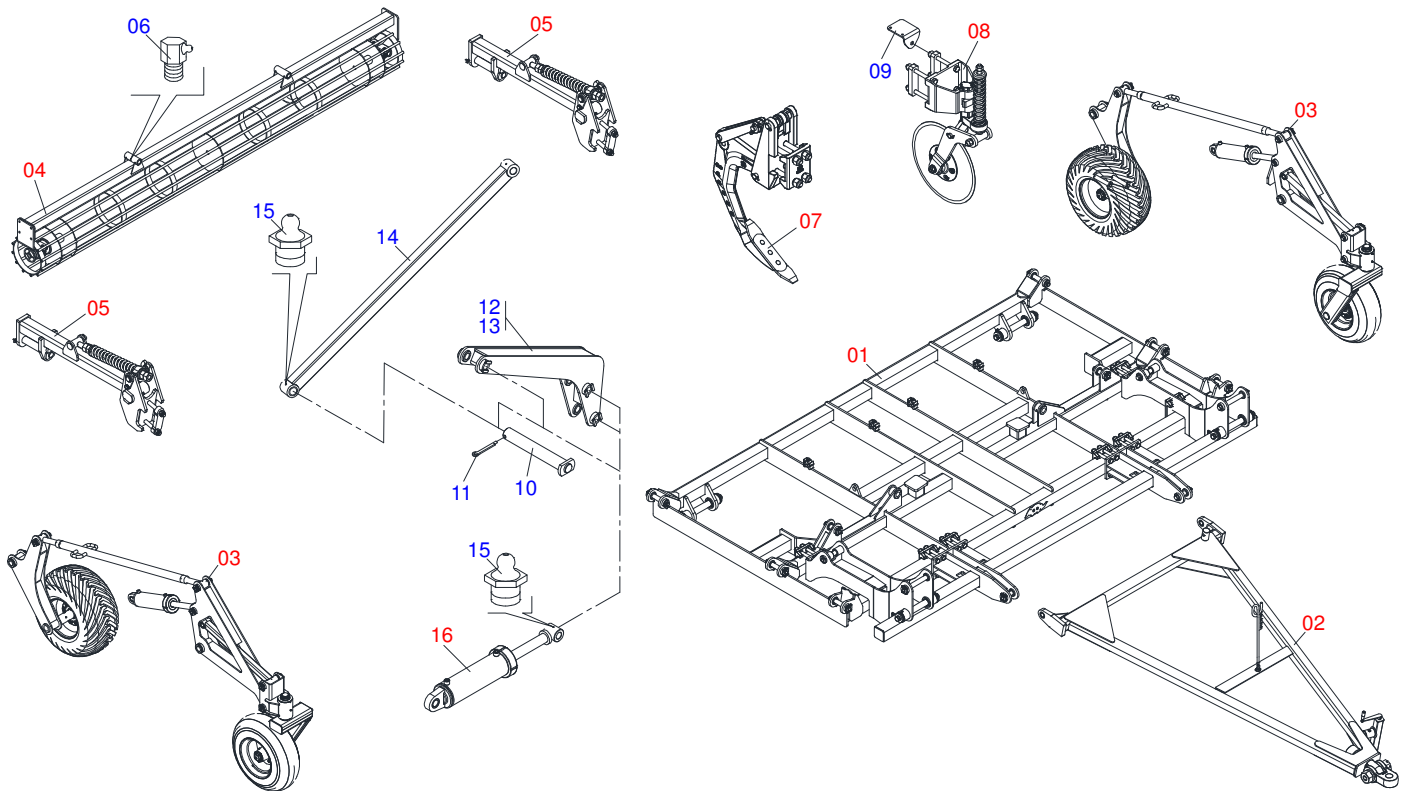
Code	Description
0101170151	AST/MATIC 450 21H DC RD ARTIC S0114
0101170150	AST/MATIC 450 25H DC RD ARTI S0712
0101170152	AST/MATIC 450 25H DC RD C/SEM ARTIC

ATTENTION: **IMPORTANT**

MARCHESAN S/A RESERVES THE RIGHT AT ANY TIME TO MAKE IMPROVEMENTS IN THE DESIGN, MATERIAL OR SPECIFICATIONS OF MACHINERY, EQUIPMENT OR PARTS WITHOUT THEREBY BECOMING LIABLE TO MAKE SIMILAR CHANGES IN MACHINERY, EQUIPMENT OR PARTS PREVIOUSLY SOLD.

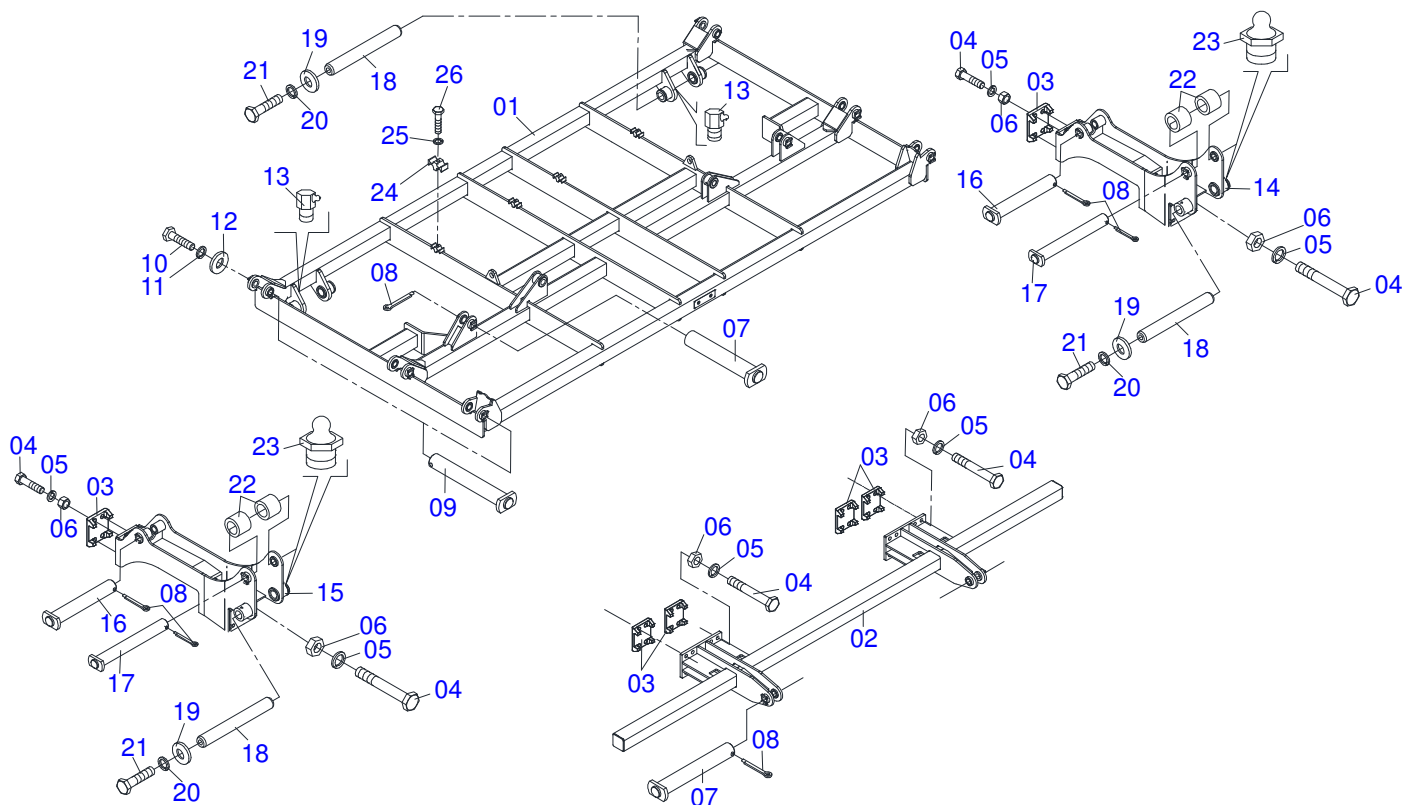
INDEX

0909093646	CENTRAL FRAME	1
0909093661	CENTRAL FRAME	2
0909093662	CABEÇALHO COMPLETO	3
0909093663	WHEEL SISTEM	4
0909093647	RH SIDE FRAME	5
0909093648	RIGHT SIDE FRAME	6
0511047076	SHANKS SYSTEM ASSY	7
0909090906	COULTER BLADES WITH SUPPORT	8
0511048088	DRAWBAR JACK	9
0501051885	CARRYING-WHEELS	10
0511051861	COPYCAT THE COMPLETE WHEELSET	11
0909090914	HYDRAULIC CYLINDER	12
0511049943	HYDRAULIC CYLINDER	13
0909094603	HYDRAULIC CIRCUIT	14
0909094604	WHEELS FULL RIGHT LEFT ASSY	15
0909090915	FRONT CARRYING-WHEELS ARM ASSY	16
0511051871	ARM BREAK ROLLER	17
0909090916	BREAK ROLLER 4352	18
0501046922	7.5" X 1-1/4" OIL BATH BEARING	19
0521043588	CENTRAL FRAME	20
0511052687	LH REAR FINE SEED BOX ASSY	21
0511052688	RIGHT REAR FINE SEED BOX ASSY	22
0511055653	FINE SEED BOX	23

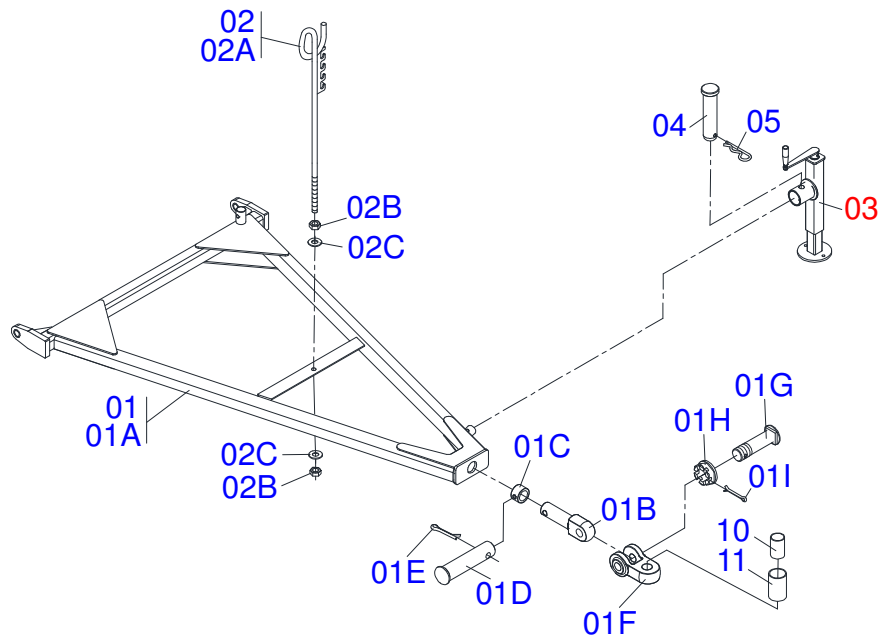


Item	Code	Description	21 25 H
01	0909093661	CENTRAL FRAME	01 01
02	0909093662	CABEÇALHO COMPLETO	01 01
03	0909093663	WHEEL SYSTEM	01 01
04	0521040834	BREAK ROLLER	01 01
05	0511051871	ARM BREAK ROLLER	02 02
06	0503010004	1890 GREASE FITTING	06 06
07	0511047076	SHANKS SYSTEM ASSY	11 11
08	0501056926	SUPPORT WITH BLADE DISC	11 11
09	0571013172	VALVE SUPPORT	01 01
10	0521062684	PIVOT SHAFT	06 06
11	0503010534	3/8 X 2-1/2 COTTERPIN	06 06
12	0521063412	TOWER OF JOINT RIGHT	01 01
13	0521063412	TOWER OF JOINT RIGHT	01 01
14	0521063414	JOINT ARM	02 02
15	0503010002	1800 GREASE FITTING	04 04
16	0511049943	HYDRAULIC CYLINDER	04 04

CENTRAL FRAME

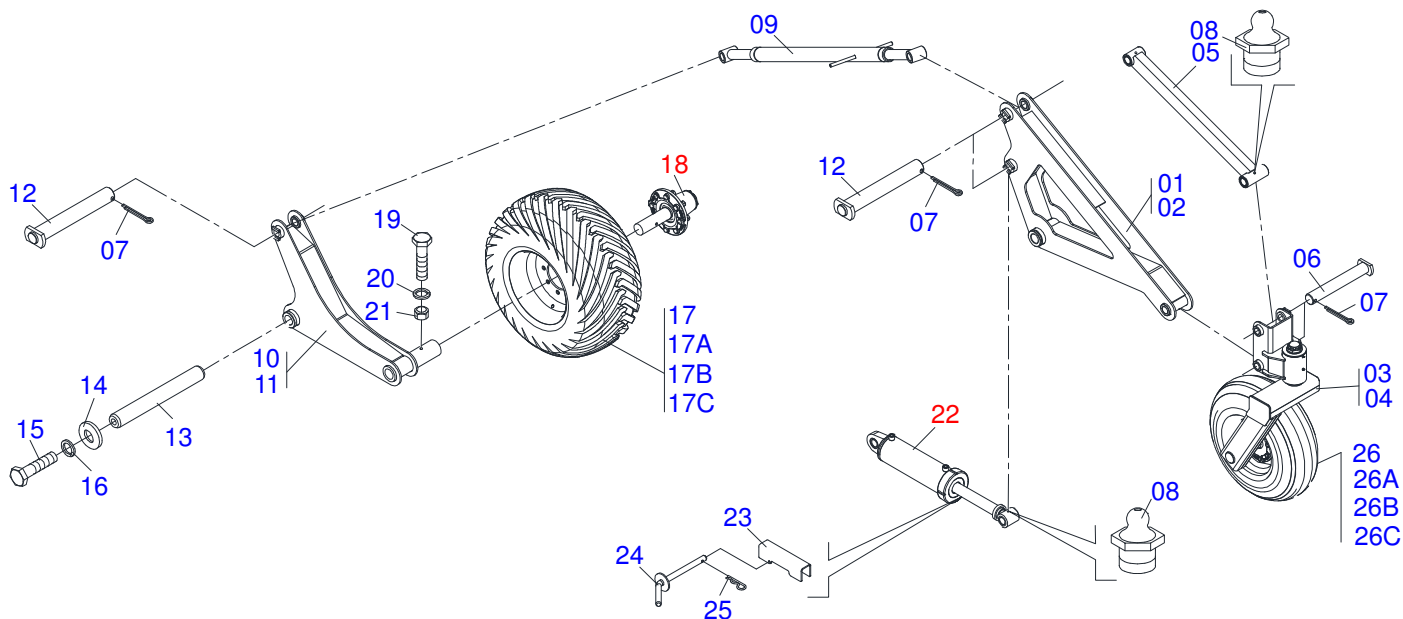


Item	Code	Description	21 25 H
01	0521063801	FRAME	01 01
02	0521063132	SUPPORT CENTER BLADE DISC	01 01
03	0502011552	FRONT FIXER	06 06
04	0511019527	1" X 8" BOLT	24 24
05	0503010012	1" SPRING WASHER	24 24
06	0503010340	1" NUT	24 24
07	0521062813	PIVOT SHAFT	06 06
08	0503010534	3/8 X 2-1/2 COTTERPIN	10 10
09	0521063149	3/4" X 208 AXLE	06 06
10	0501011544	3/4" X 1-1/2" BOLT	06 06
11	0503010023	SPRING WASHER	06 06
12	0511017232	FLAT WASHER	06 06
13	0503010004	1890 GREASE FITTING	08 08
14	0521063120	LEFT CARRYING-WHEEL FIXER SUPPORT	01 01
15	0521063121	RIGH T CARRYING-WHEEL FIXER SUPPORT	01 01
16	0521062158	PIVOT SHAFT	02 02
17	0521063145	PIVOT SHAFT	02 02
18	0531018062	COUPLING SHAFT	04 04
19	0521011565	FLAT WASHER	08 08
20	0503010012	1" SPRING WASHER	08 08
21	0503011250	1" X 2" BOLT	08 08
22	0571011373	SLEEVE	04 04
23	0503010002	1800 GREASE FITTING	16 16
24	0502012702	BODY SUPPORT CLAMP	02 02
25	0503012555	7/16" X 2" BOLT	02 02
26	0503010180	7/16" SPRING WASHER	02 02

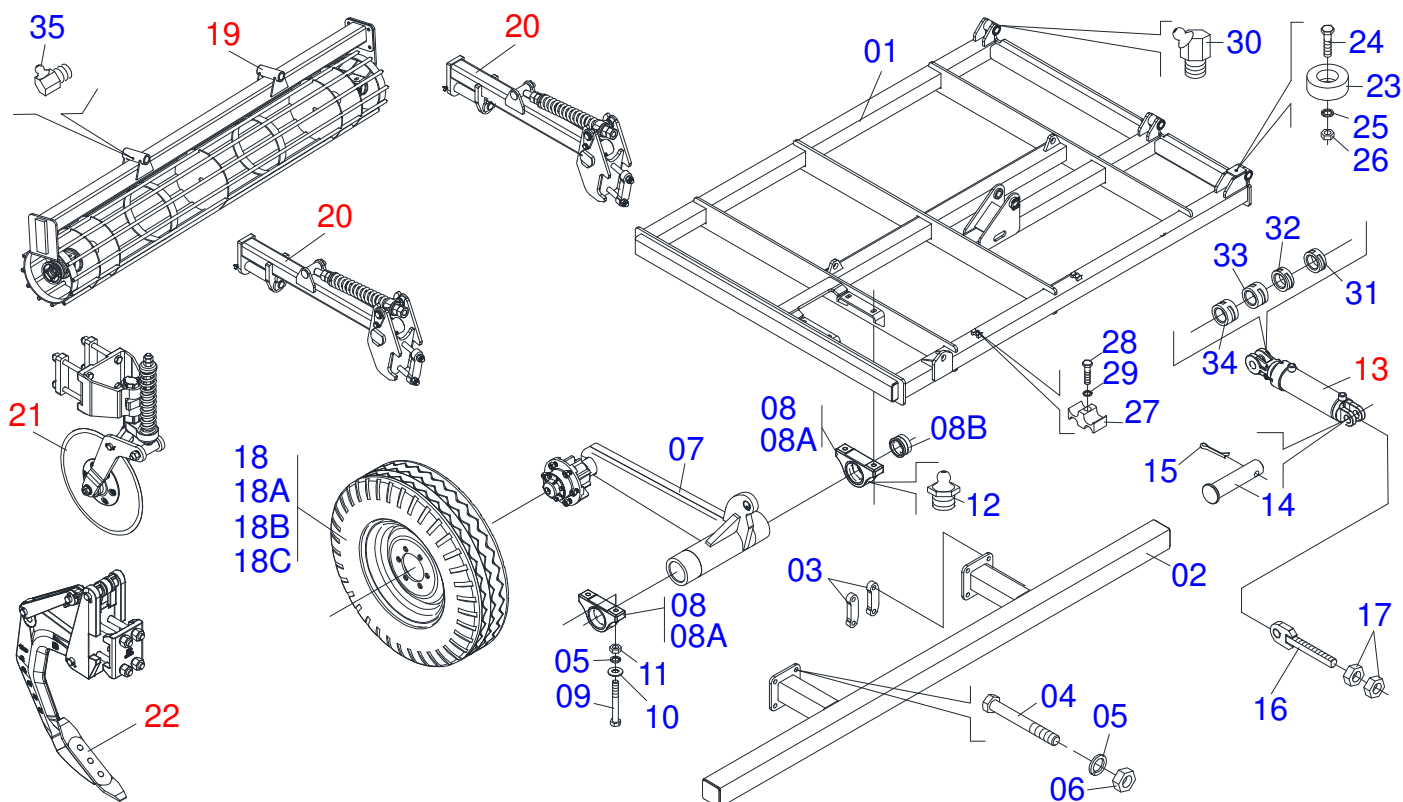


Item	Code	Description	QT
01	0521043484	DRAWBAR ASSY	01
01A	0521063133	DRAWBAR	01
01B	1902040264	HITCH PIN	01
01C	0502040263	ANEL TRAVA ENGATE	01
01D	0561017306	COUPLING SHAFT	01
01E	0503010523	1/4" X 2" COTTERPIN	01
01F	0502040293	YH-90 CLEVIS	01
01G	0511067199	2" BOLT	01
01H	0502040558	2" CASTLE NUT	01
01I	0503010074	3/8 X 0,15" COTTERPIN	01
02	0501040257	3/4 X 1200 HOSE HOLDER A	01
02A	0511067334	HOSE SOPPORT ASSY	01
02B	0503010014	3/4" NUT	02
02C	0501010322	FLAT WASHER	02
03	0511048088	DRAWBAR JACK	01
04	0561014251	COUPLING SHAFT	01
05	0503030012	HAIR PIN	01

WHEEL SISTEM



Item	Code	Description	QT
01	0521063118	COPIER LOWER RIGHT ARM	01
02	0521063119	COPIER LOWER LEFT ARM	01
03	0511051867	ARM RIGHT FRONT WHEELS	01
04	0511051868	ARM LEFT FRONT WHEELS	01
05	0521063122	COPIER UPPER ARM	02
06	0521063144	PIVOT SHAFT	04
07	0503010534	3/8 X 2-1/2 COTTERPIN	04
08	0503010002	1800 GREASE FITTING	04
09	0511051861	COPYCAT THE COMPLETE WHEELSET	02
10	0521063128	RIGHT CARRYING-WHEELS	01
11	0521063125	LEFT CARRYING WHEELS	01
12	0521062813	PIVOT SHAFT	04
13	0531018062	COUPLING SHAFT	04
14	0521011565	FLAT WASHER	08
15	0503011250	1" X 2" BOLT	08
16	0503010012	1" SPRING WASHER	08
17	0503060102	WHEEL AND TIRE	02
17A	0501069483	WHEEL	02
17B	0503012112	400/60 - 15.5 TR 15 INNER TIRE	02
17C	0503013119	CANVAS TIRE	02
18	0501051885	CARRYING-WHEELS	02
19	0503010706	1/2" X 4.1/2" BOLT	02
20	0503010019	1/2" SPRING WASHER	02
21	0503010060	1/2" NUT	02
22	0511049943	HYDRAULIC CYLINDER	02
23	0571012135	TRANSPORT LOCK	02
24	0501068994	0.3" X 3.1" LOCK PIN	04
25	0503030168	HAIR PIN	04
26	0503060244	RODA C/ PNEU11L-15 10L 8F COMP GCRO	02
26A	0503012108	RODA 10 LB X 15 X 8F X 203 GCRO	01
26B	0503010860	CAMARA AR 11L 15	01
26C	0503010858	CANVAS TIRE	01



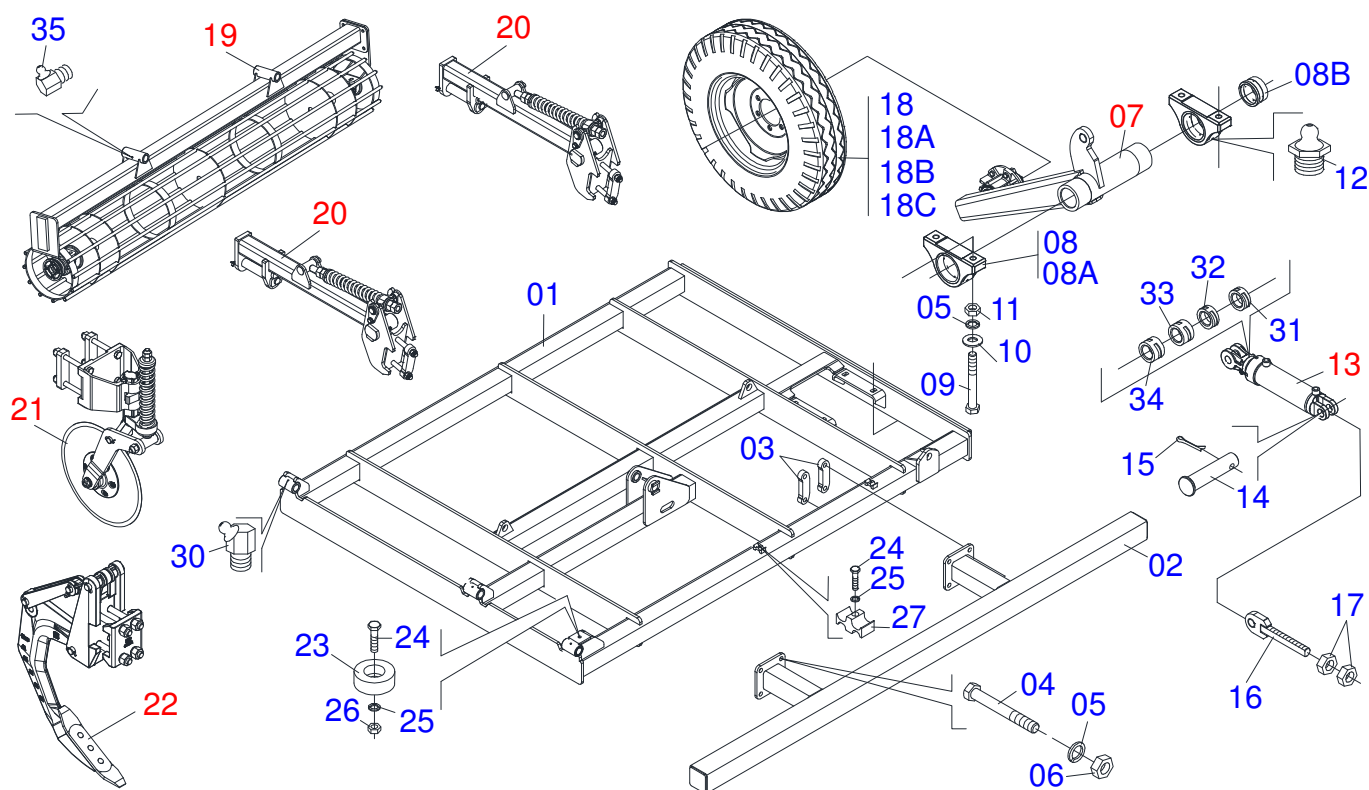
Item	Code	Description	21 25 H
01	0521064580	RIGHT SIDE FRAME	01 00
01.	0521063086	RH SIDE FRAME	00 01
02	0521064578	BLADE DISC SIDE SUPPORT	01 01
03	0571011609	FIXER PLATE CUTTING DISC	04 04
04	0503014744	3/4 UNF X 7.1/2 C S G.7 ZN BOLT	12 12
05	0503010023	SPRING WASHER	16 16
06	0503010335	3/4"NUT	12 12
07	0501051007	RIGHT CARRYING-WHEELS	01 01
08	0501110563	MANCAL ARTICULAÇÃO ESQUERDA C/LUVA	02 02
08A	0502012273	PIVOT BEARING	02 02
08B	0551018339	SLEEVE NYLON 114,40 X 140 X 76	02 02
09	0501010195	3/4" X 3-1/2" BOLT	04 04
10	0501010322	FLAT WASHER	04 04
11	0503010014	3/4" NUT	04 04
12	0503010002	1800 GREASE FITTING	02 02
13	0511058423	HYDRAULIC CYLINDER 44,45 X 85,7 X 514 X 205	01 01
14	0521012538	1.2" X 3.5" COUPLING SHAFT	02 02
15	0503010523	1/4" X 2" COTTERPIN	02 02
16	0501063989	HYDRAULIC CYLINDER REGULATOR	01 01
17	0501010110	1.1/2" NUT	02 02
18	0503062010	750 X 16-12L ASSY WHEEL AND TIRE	01 01
18A	0503012108	RODA 10 LB X 15 X 8F X 203 GCRO	01 01
18B	0503010860	CAMARA AR 11L 15	01 01
18C	0503010858	CANVAS TIRE	01 01
19	0521040835	BREAK ROLLER	01 01
20	0511051871	ARM BREAK ROLLER	02 02
21	0501056926	SUPPORT WITH BLADE DISC	07 07
22	0511047076	SHANKS SYSTEM ASSY	07 07
23	0521011481	BEATER FRAME	01 01
24	0503011267	5/8" X 1.1/2" BOLT	01 01
25	0503010027	SPRING WASHER	01 01
26	0503010013	5/8" NUT	01 01
27	0502012702	BODY SUPPORT CLAMP	02 02



RH SIDE FRAME

0909093647

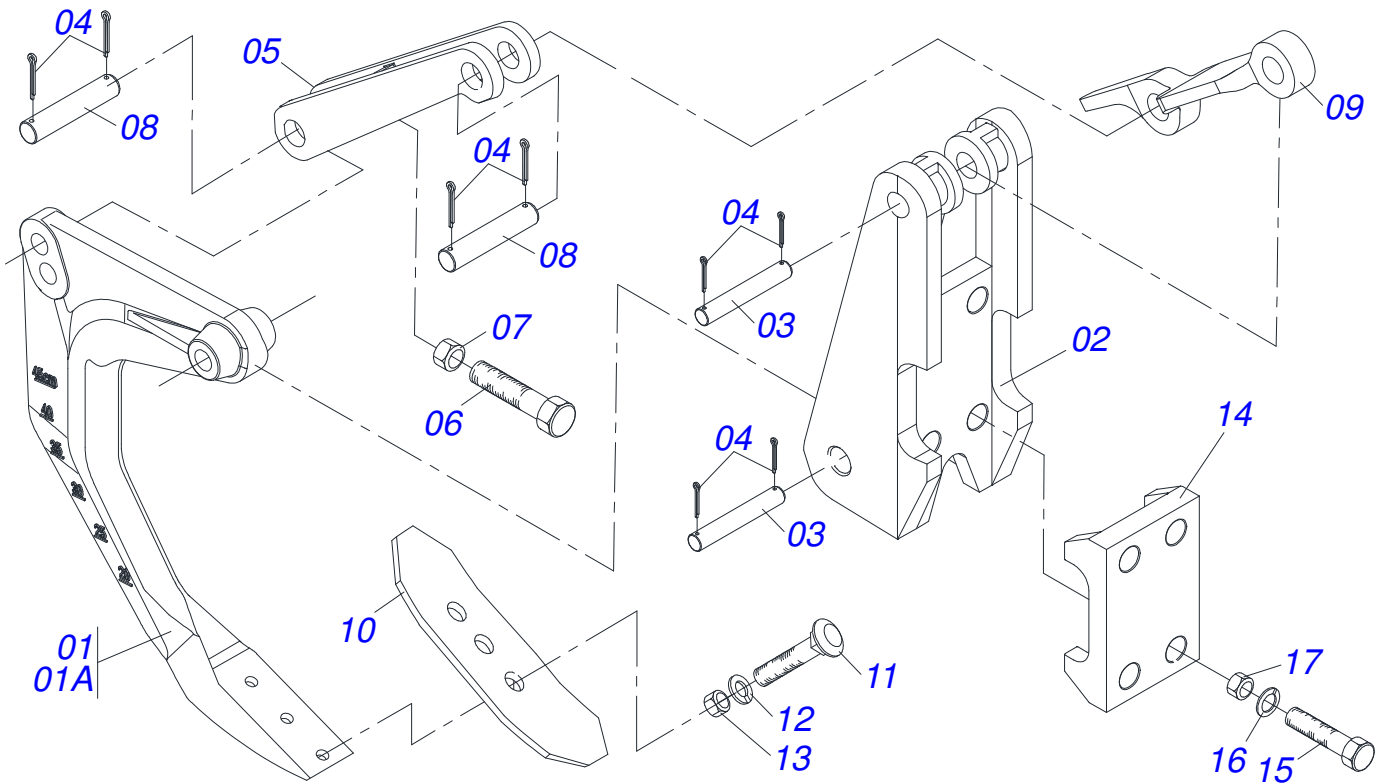
Item	Code	Description	21 25 H
28	0503012555	7/16" X 2" BOLT	02 02
29	0503010180	7/16" SPRING WASHER	02 02
30	0503010003	1845 GREASE FITTING	03 03
31	0501047895	ROD STOP	04 04
32	0501047885	ROD STOP	02 02
33	0501047886	ROD STOP	02 02
34	0501047887	ROD STOP	02 02
35	0503010004	1890 GREASE FITTING	02 02



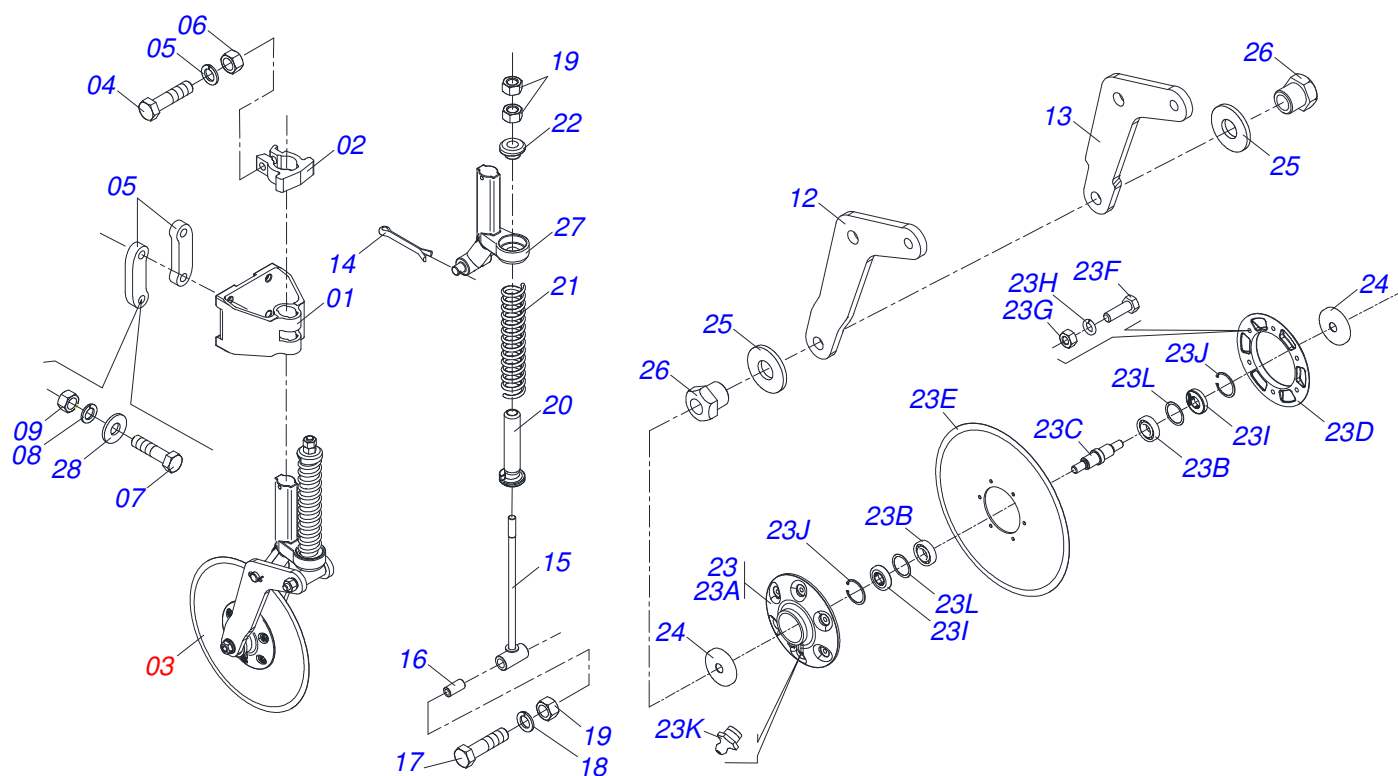
Item	Code	Description	21	25	H
01	0521064581	LEFT SIDE FRAME	01	00	
01.	0521063083	RIGHT SIDE FRAME	00	01	
02	0521064577	BLADE DISC SIDE SUPPORT	01	01	
03	0571011609	FIXER PLATE CUTTING DISC	04	04	
04	0503014744	3/4 UNF X 7.1/2 C S G.7 ZN BOLT	12	12	
05	0503010023	SPRING WASHER	16	16	
06	0503010335	3/4"NUT	12	12	
07	0501051008	LEFT CARRYING-WHEELS	01	01	
08	0501110563	MANCAL ARTICULAÇÃO ESQUERDA C/LUVA	02	02	
08A	0502012273	PIVOT BEARING	02	02	
08B	0551018339	SLEEVE NYLON 114,40 X 140 X 76	02	02	
09	0501010195	3/4" X 3-1/2" BOLT	04	04	
10	0501010322	FLAT WASHER	04	04	
11	0503010014	3/4" NUT	04	04	
12	0503010002	1800 GREASE FITTING	02	02	
13	0511058423	HYDRAULIC CYLINDER 44,45 X 85,7 X 514 X 205	01	01	
14	0521012538	1.2" X 3.5" COUPLING SHAFT	02	02	
15	0503010523	1/4" X 2" COTTERPIN	02	02	
16	0501063989	HYDRAULIC CYLINDER REGULATOR	01	01	
17	0501010110	1.1/2" NUT	02	02	
18	0503062010	750 X 16-12L ASSY WHEEL AND TIRE	01	01	
18A	0503012108	RODA 10 LB X 15 X 8F X 203 GCRO	01	01	
18B	0503010860	CAMARA AR 11L 15	01	01	
18C	0503010858	CANVAS TIRE	01	01	
19	0521040835	BREAK ROLLER	01	01	
20	0511051871	ARM BREAK ROLLER	02	02	
21	0501056926	SUPPORT WITH BLADE DISC	07	07	
22	0511047076	SHANKS SYSTEM ASSY	07	07	
23	0521011481	BEATER FRAME	01	01	
24	0501010263	5/8" X 1-1/2" BOLT	01	01	
25	0503010027	SPRING WASHER	01	01	
26	0503010013	5/8" NUT	01	01	
27	0502012702	BODY SUPPORT CLAMP	02	02	



Item	Code	Description	21 25 H
28	0503012555	7/16" X 2" BOLT	02 02
29	0503010180	7/16" SPRING WASHER	02 02
30	0503010003	1845 GREASE FITTING	03 03
31	0501047895	ROD STOP	04 04
32	0501047885	ROD STOP	02 02
33	0501047886	ROD STOP	02 02
34	0501047887	ROD STOP	02 02
35	0503010004	1890 GREASE FITTING	02 02



Item	Code	Description	QT
01	0511047076	SHANKS SYSTEM ASSY	01
01A	0502011264	ARM AST/MATIC	01
02	0502011551	REAR FIXER	01
03	0521013024	28,50 X 184 AXLE	02
04	0503010571	1/4" X 1.1/2 COTTERPIN	08
05	0502011164	SUPPORT SPRING	01
06	0503011195	7/16" X 1.3/4" BOLT	01
07	0503010244	7/16" NUT	01
08	0511015689	1.1" X 3.5" COUPLING SHAFT	02
09	0521011631	AUTOMATIC RESET	01
10	0624010005	POINT SUBSOILER 16"X3"X1/2" E019	01
11	0503014190	1/2 BSW "1.1/2 BOLT	03
12	0503011440	SPRING WASHER	03
13	0503010020	1/2"NUT	03
14	0502011552	FRONT FIXER	01
15	0511019527	1" X 8" BOLT	04
16	0503011438	SPRING WASHER	04
17	0503010340	1" NUT	04

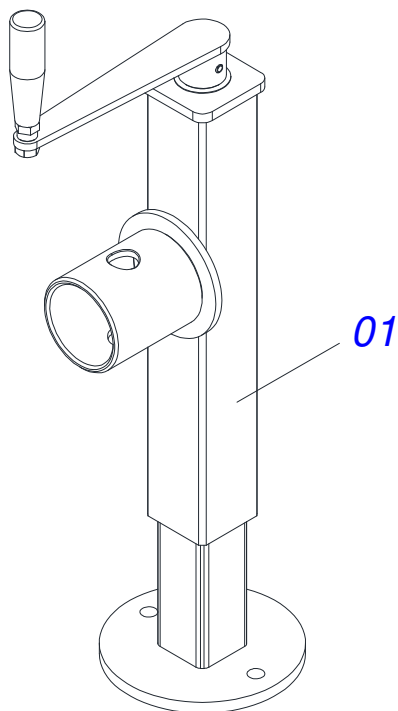


Item	Code	Description	QT
01	0502012026	BLADE DISC FIXER SUPPORT	01
02	0502012024	FIXER SUPPORT BUSHING	01
03	0501056926	SUPPORT WITH BLADE DISC	01
04	0503013184	5/8" X 2-3/4" BOLT G.8	01
05	0501011299	FLAT WASHER	01
06	0503010129	5/8" NUT	01
07	0503014744	3/4 UNF X 7.1/2 C S G.7 ZN BOLT	04
08	0503010023	SPRING WASHER	04
09	0503010335	3/4"NUT	04
10	0503010534	3/8 X 2-1/2 COTTERPIN	01
11	0571011609	FIXER PLATE CUTTING DISC	02
12	0541019877	RIGHT ARM OF THE BLADE DISC	01
13	0541019878	LEFT ARM OF THE BLADE DISC	01
14	0503010571	1/4" X 1.1/2 COTTERPIN	02
15	0511060915	ROD SPRING	01
16	0521010452	SLEEVE	01
17	0503011198	C3/4" X 6" BOLT	01
18	0503011442	3/4" SPRING WASHER	01
19	0503010014	3/4" NUT	03
20	0511061576	SPRING GUIDE	01
21	0503031679	COMPRES SPRING	01
22	0502020393	SPRING UPPER SUPPORT	01
23	0501056436	DISC BLADE HUB ASSY	01
23A	0502012338	DISC BLADE HUB ASSY	01
23B	0503010276	6206 BALL BEARING	04
23C	0541017479	BLADE DISC AXLE HUB	01
23D	0502020641	BLADE DISC FLANGE	01
23E	0603026013	PLAIN COULTER BLADE	01
23F	0503010371	5/16" X 1" BOLT	06
23G	0503010337	5/16" NUT	06
23H	0503011444	SPRING WASHER	06
23I	0503012417	SEAL	02
23J	0503011800	SEAL RING	02

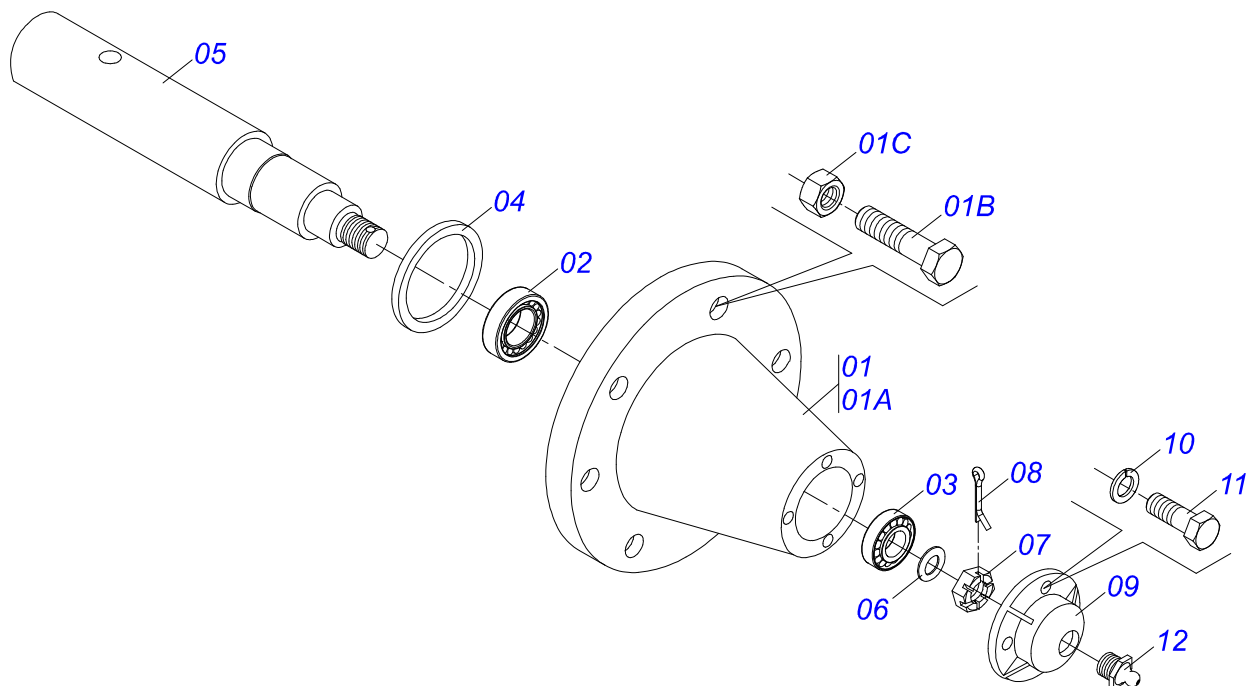


AST/MATIC 450 21/25H
COULTER BLADES WITH SUPPORT

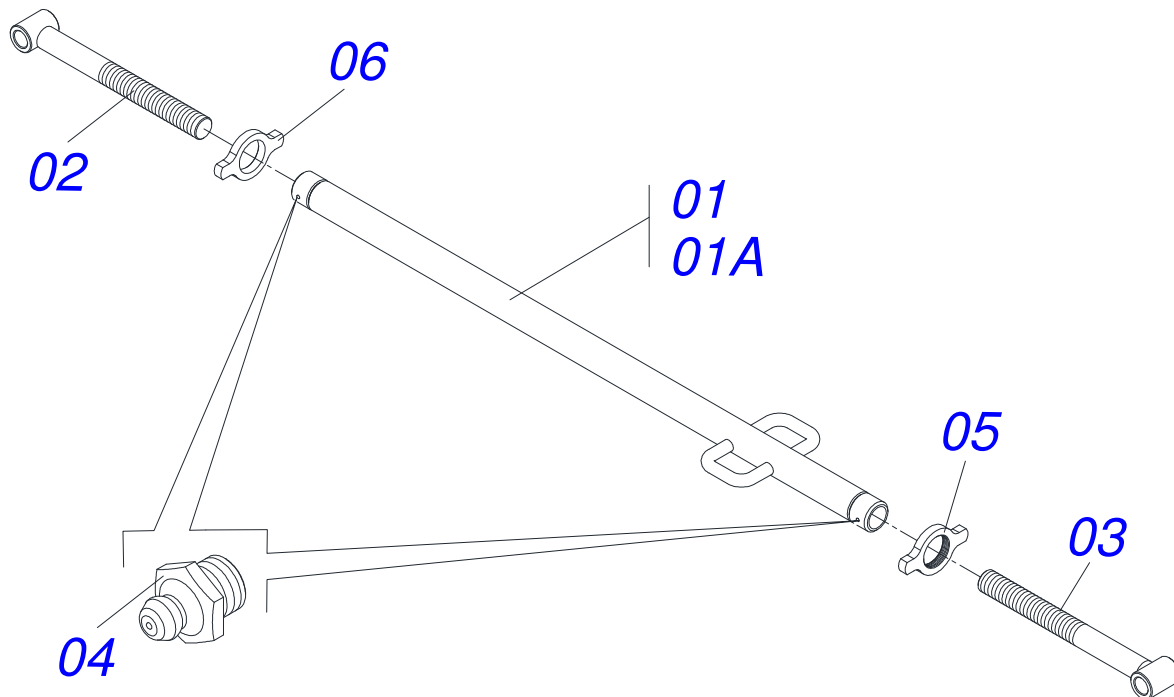
Item	Code	Description	QT
23K	0503010691	1/4" GREASE FITTING	01
23L	0503030832	FLAT WASHER	02
24	0521015376	DUST CLOAK	02
25	0511015346	FLAT WASHER	02
26	0521013510	3/4" NUT	02
27	0502012026	BLADE DISC FIXER SUPPORT	01
28	0511019685	FLAT WASHER	04



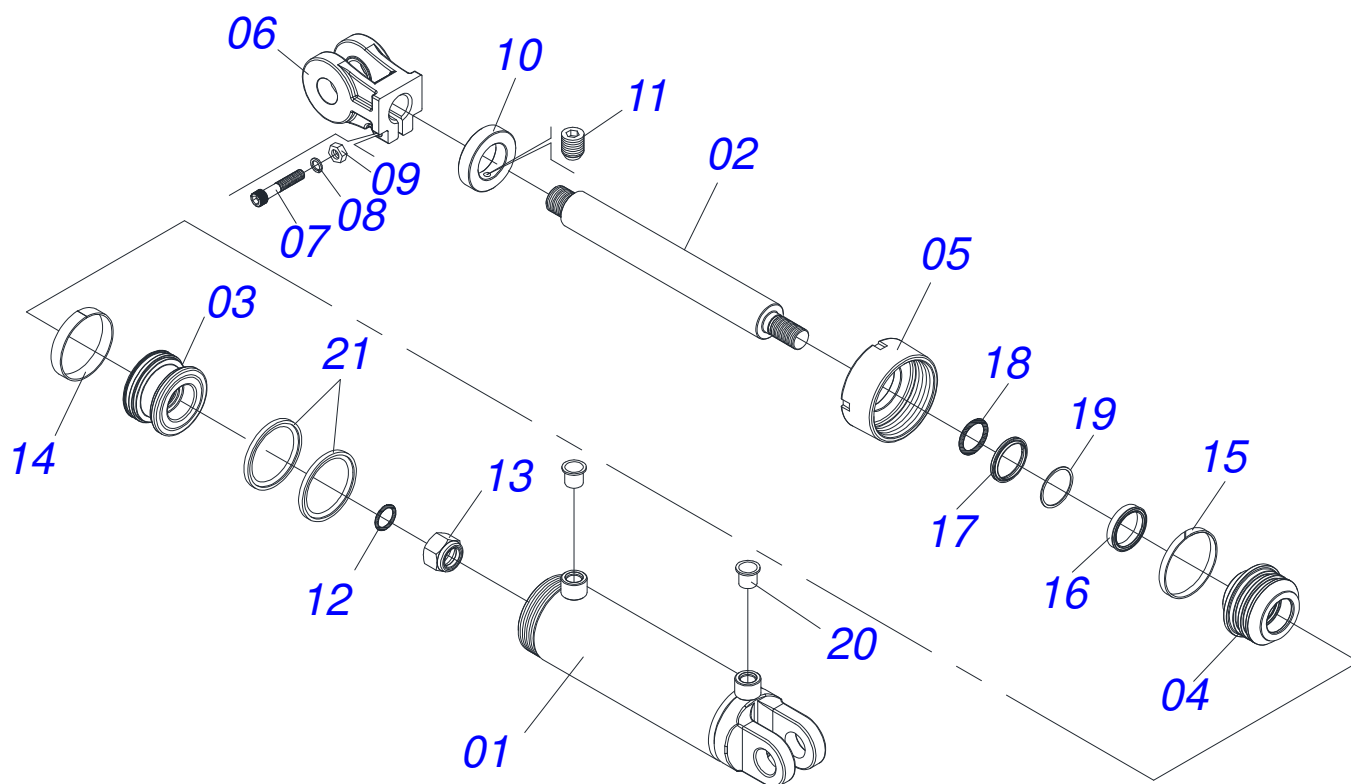
Item	Code	Description	QT
01	0503062227	DRAWBAR JACK	01



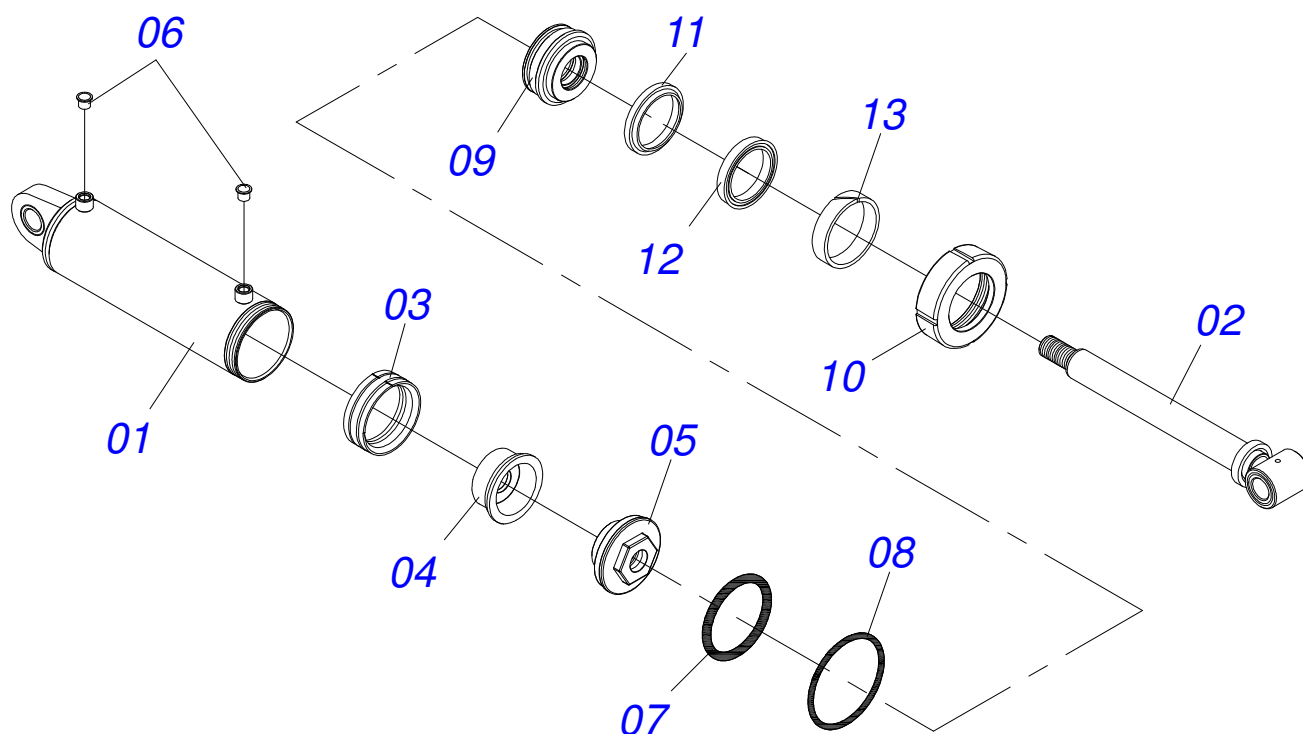
Item	Code	Description	QT
01	0501110738	CARRYING WHEEL HUB	01
01A	0502012260	CAIXA RODADO TRANSPORTE GCRO 2240	01
01B	0501010186	PARAFUSO ROD 5/8UNF X 2.1/8CR	08
01C	0503010064	5/8 UNF CONIC NUT	08
02	0503011156	ROLAMENTO 2780/2720 IMP	01
03	0503010008	ROLAMENTO 3780/37203	01
04	0503013314	RETENTOR 5166-GB 63,5 X 110 X 13 ARCA	01
05	0511012494	SPINDLE	01
06	0511012492	ARRUELA LISA 28 X 46 X 6,30	01
07	0503030009	1" CASTLE NUT	01
08	0503010018	5/32 X 1-1/2 COTTERPIN	01
09	0502020591	PROTECCION COVER	01
10	0503011444	SPRING WASHER	04
11	0503010358	5/16" X 5/8" BOLT	04
12	0503010002	1800 GREASE FITTING	01



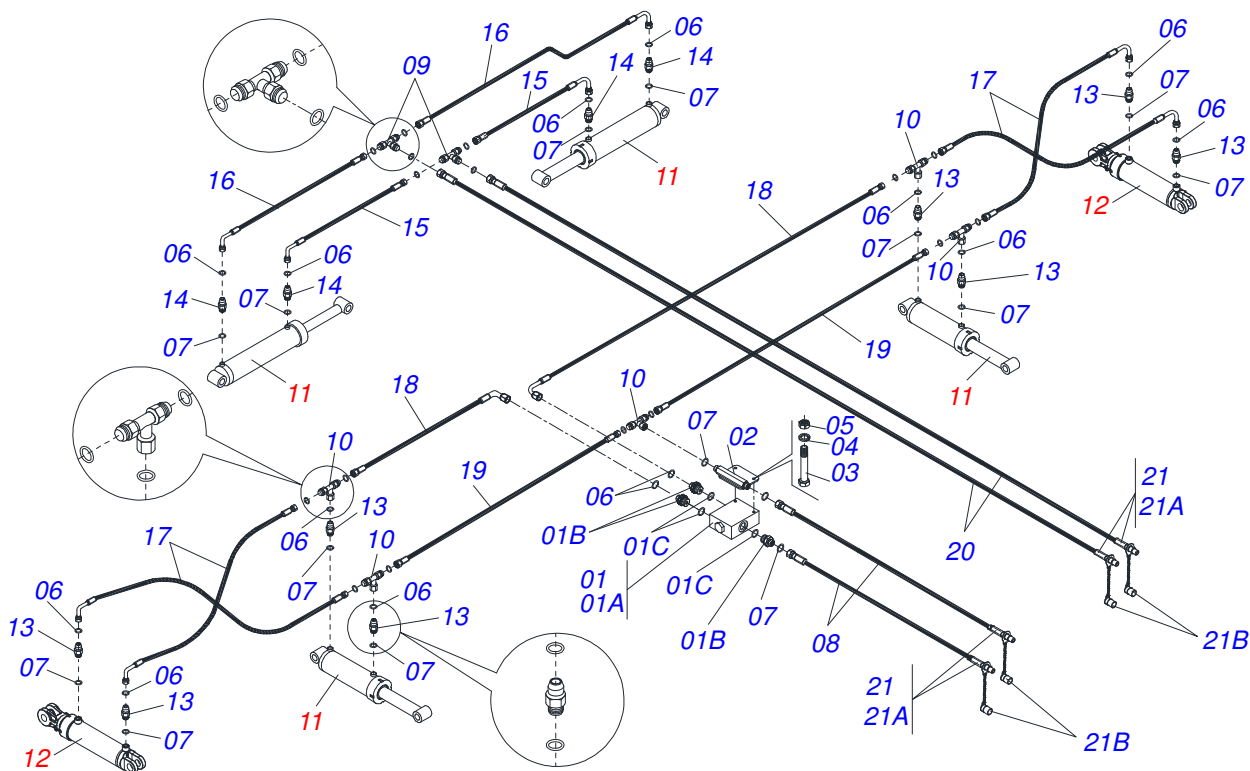
Item	Code	Description	QT
01	0511051861	COPYCAT THE COMPLETE WHEELSET	01
01A	0521063129	TURNBUCLE	01
02	0521062691	2 X 508 RIGHT TURNBUCLELE	01
03	0521062690	2 X 508 RIGHT TURNBUCLELE	01
04	0503010002	1800 GREASE FITTING	02
05	0561019303	RIGHT LOCKNUT	01
06	0561019304	LEFT LOCKNUT	01



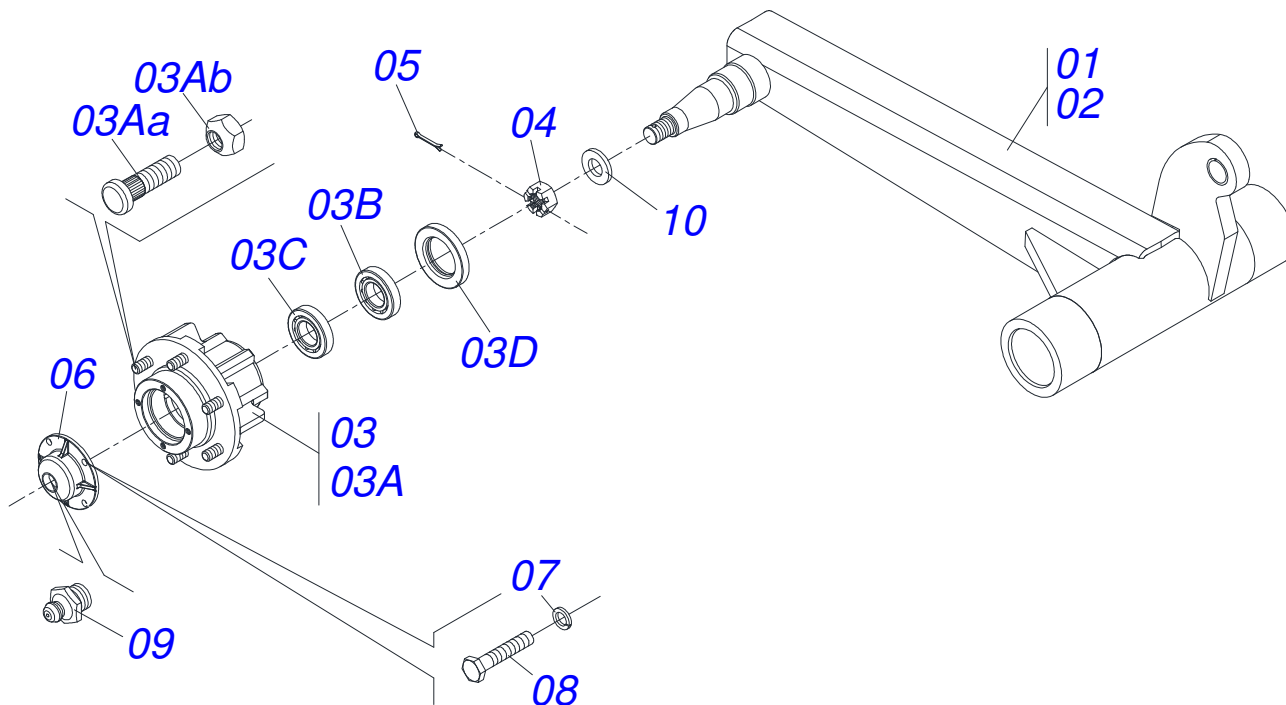
Item	Code	Description	QT
01	0521063411	CYLINDER CASE	01
02	0521010421	HYDRAULIC CYLINDER TURNBUCKLE	01
03	0571019710	1.7" X 3.4" PISTON	01
04	0571019711	RING SUPPORT	01
05	0571019709	DETACHABLE COVER	01
06	0502040747	FORK	01
07	0503011094	3/8" X 2" BOLT C C S I 12.9	01
08	0503011443	SPRING WASHER	01
09	0503010026	3/8" NUT	01
10	0511018115	1.8" X 0.1" 0.7" BUSHING	01
11	0503011148	3/8" X 1/2" BOLT	01
12	0503010042	2-214 N 3006-9B O'RING	01
13	0503010063	1" SELF-ALIGNING NUT	01
14	0503010948	W4-3346-590 PK RING G.E	01
15	0503010949	W2-2000-500 PK RING G.E	01
16	0503017937	GASKET	01
17	0503010761	D-1750 SCRAPER RING	01
18	0503017939	2-337 N 3006-9B O' RING	01
19	0503017940	8-337 BACK-UP RING	01
20	0503030384	CON N-001 PLUG	02
21	0503012509	GASKET	02



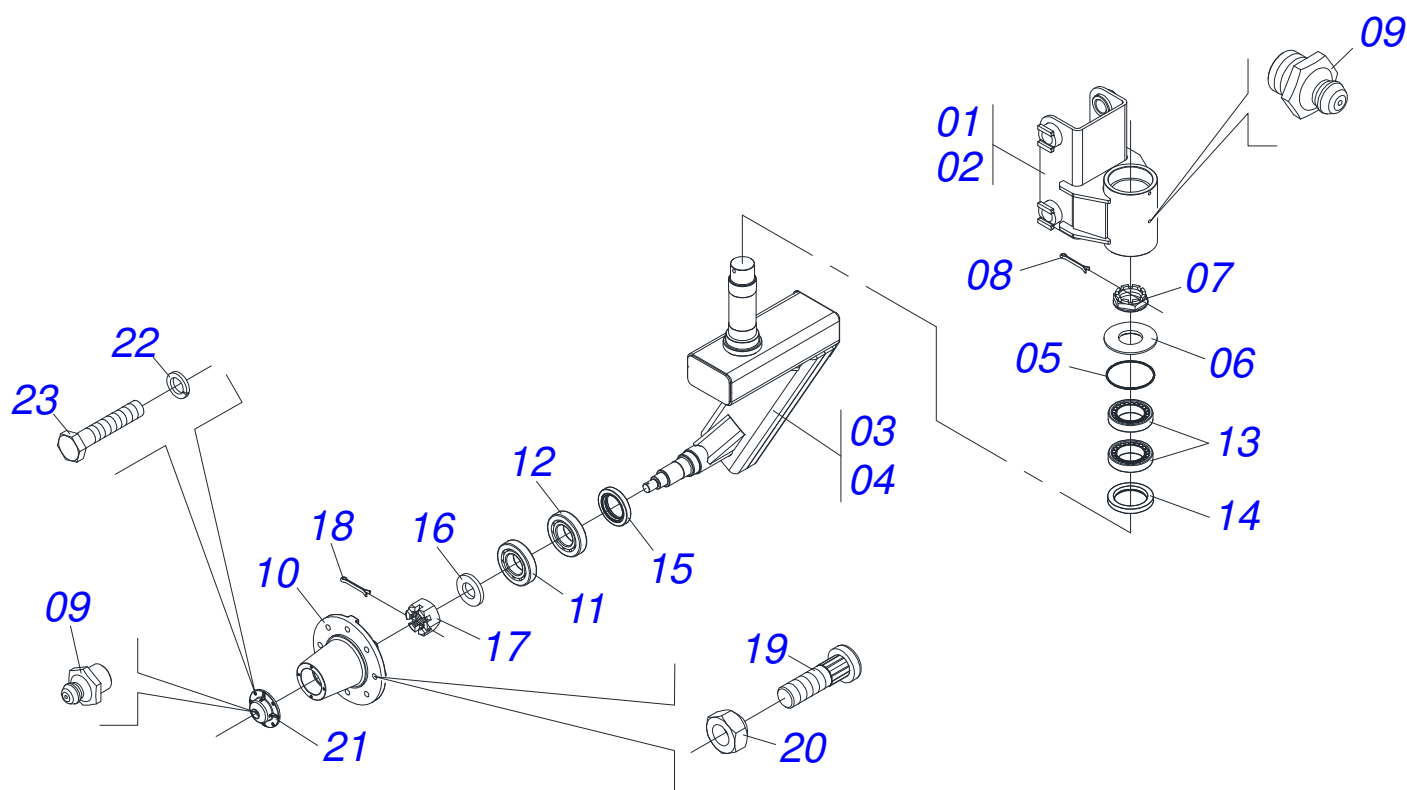
Item	Code	Description	QT
01	0521062687	CYLINDER CASE	01
02	0521062686	53,98 X 555 TURNBUCKLE	01
03	0503015643	SEAL	01
04	0561016583	PISTON BODY	01
05	0502012645	PISTON BODY	01
06	0503030384	CON N-001 PLUG	02
07	0503010351	2-425 N 3006-9B O-RING	01
08	0503011062	8-425 BACK-UP RING	01
09	0502012646	RING SUPPORT	01
10	0502010382	5" HEAD	01
11	0503015642	U-CUP SEALING	01
12	0503015715	SCRAPER SEALING	01
13	0503015641	RING SLYDRING	01



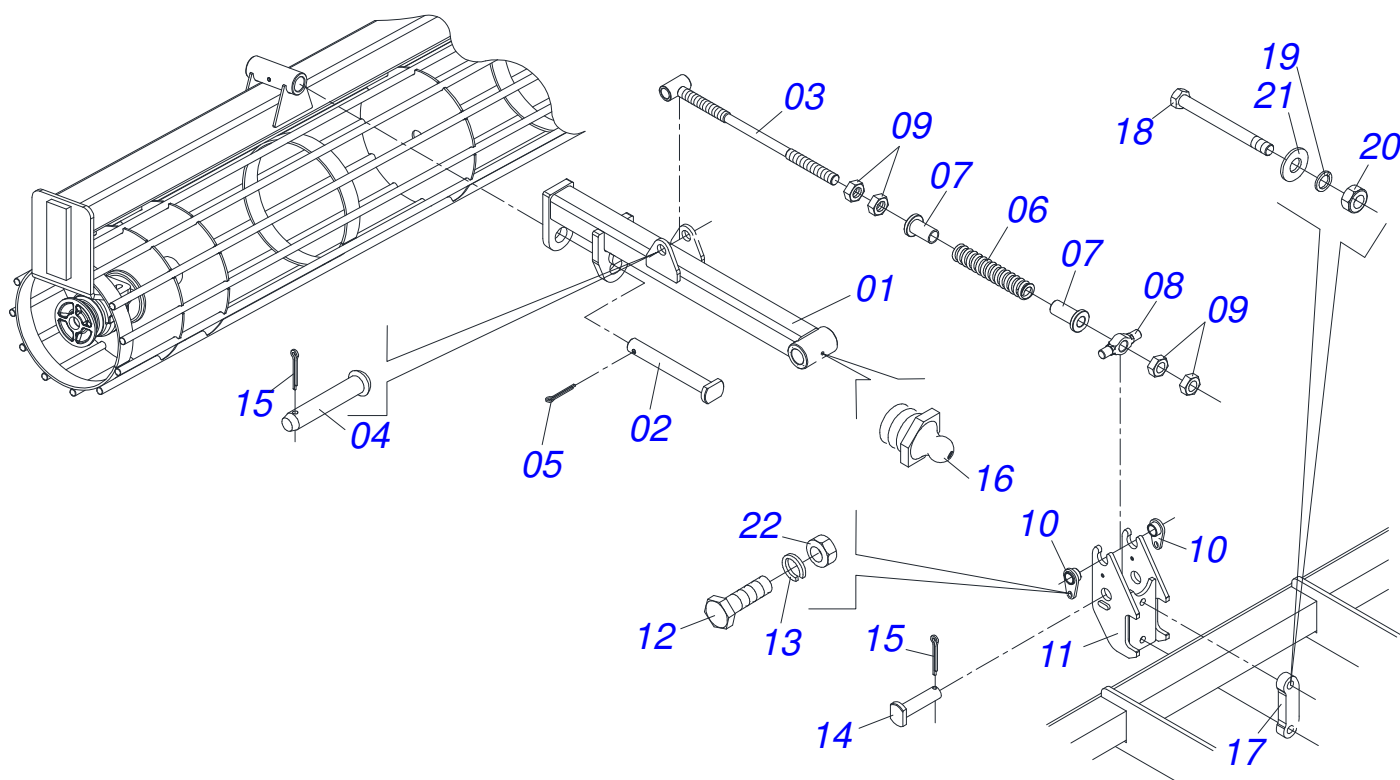
Item	Code	Description	QT
01	0511051627	FLOW DIVIDING VALVE	01
01A	0503016227	FLOW DIVIDING VALVE	01
01B	0571010736	NIPPLE R1.1/16 UN X 13/16UN OFS	03
01C	0503011109	2-119 N 3006-9B O-RING	03
02	0521062967	OIL TUBE DISTRIBUTOR	01
03	0503011053	5/16" X 3" C S 6.5 ZN BOLT	02
04	0503010179	SPRING WASHER	02
05	0503010337	5/16" NUT	02
06	0503010190	2-114 N 3006-9B O-RING	14
07	0503011030	2-014 N 3006-9B O-RING	44
08	0501081757	1/2" X 5200 TR-TM HOSE	02
09	0503013273	T 1/2" MALE ADAPTER	02
10	0503013272	T 1/2" MALE ADAPTER ASSY	05
11	0511049943	HYDRAULIC CYLINDER	04
12	0521041022	HYDRAULIC CYLINDER	02
13	0503030923	3/4" UNF X 13/16UN OFS X 40 NIPPLE	08
14	0503032031	3/4" UNF REDUCTION NIPPLE	04
15	0501081784	1/2" X 2000 TR-TC HOSE	02
16	0501081761	1/2" X 2600 TR-TR HOSE ASSY	02
17	0501081228	1/2" X 3500 TR-TC HOSE	04
18	0501081096	1/2" X 2200 TR-TC HOSE	02
19	0501081760	1/2" X 2200 TR-TR HOSE	02
20	0501082180	1/2" X 7500 TR-TM HOSE	02
21	0501053834	QUICK CONECTION (MALE) 1/2	04
21A	0503011627	QUICK CONNECTION (MALE) AGR 1/2 NPT	04
21B	0503011882	QUICK CONNECTION COVER	04



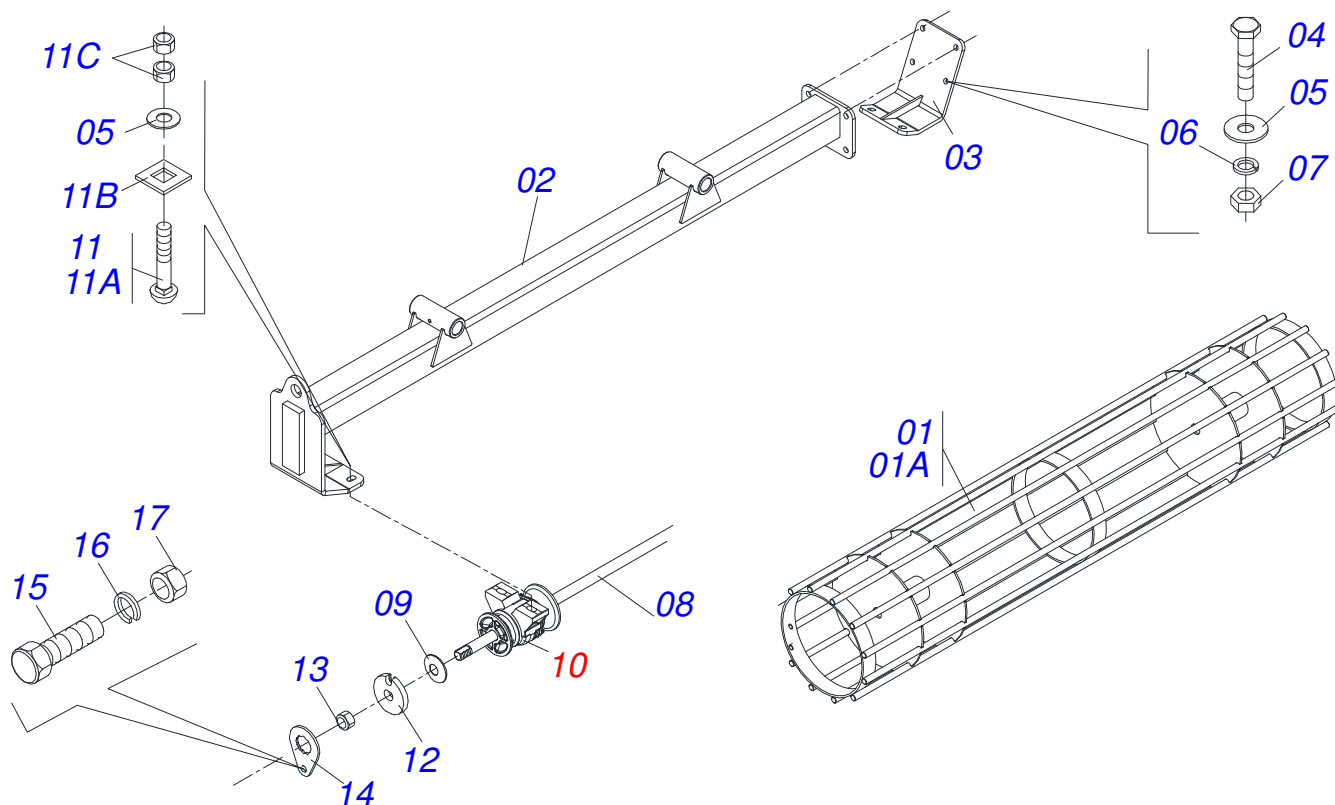
Item	Code	Description	QT
01	0501068416	RIGHT CARRYING-WHEELS	01 00
02	0501068417	LEFT CARRYING-WHEELS	00 01
03	0501051142	CARRYING WHEEL HUB	01 01
03A	0501110728	WHEEL HUB	01 01
03Aa	0501010127	9/16" X 1-7/8" LUG BOLT	01 01
03Ab	0503010035	9/16" CONIC NUT	01 01
03B	0503010006	32210 ROLLER BEARING	01 01
03C	0503010037	30207 ROLLER BEARING	01 01
03D	0503012928	SEAL	01 01
04	0503030009	1" CASTLE NUT	01 01
05	0503010018	5/32 X 1-1/2 COTTERPIN	01 01
06	0502020591	PROTECCION COVER	01 01
07	0503011444	SPRING WASHER	04 04
08	0503010358	5/16" X 5/8" BOLT	04 04
09	0503010002	1800 GREASE FITTING	01 01
10	0501016545	FLAT WASHER	01 01



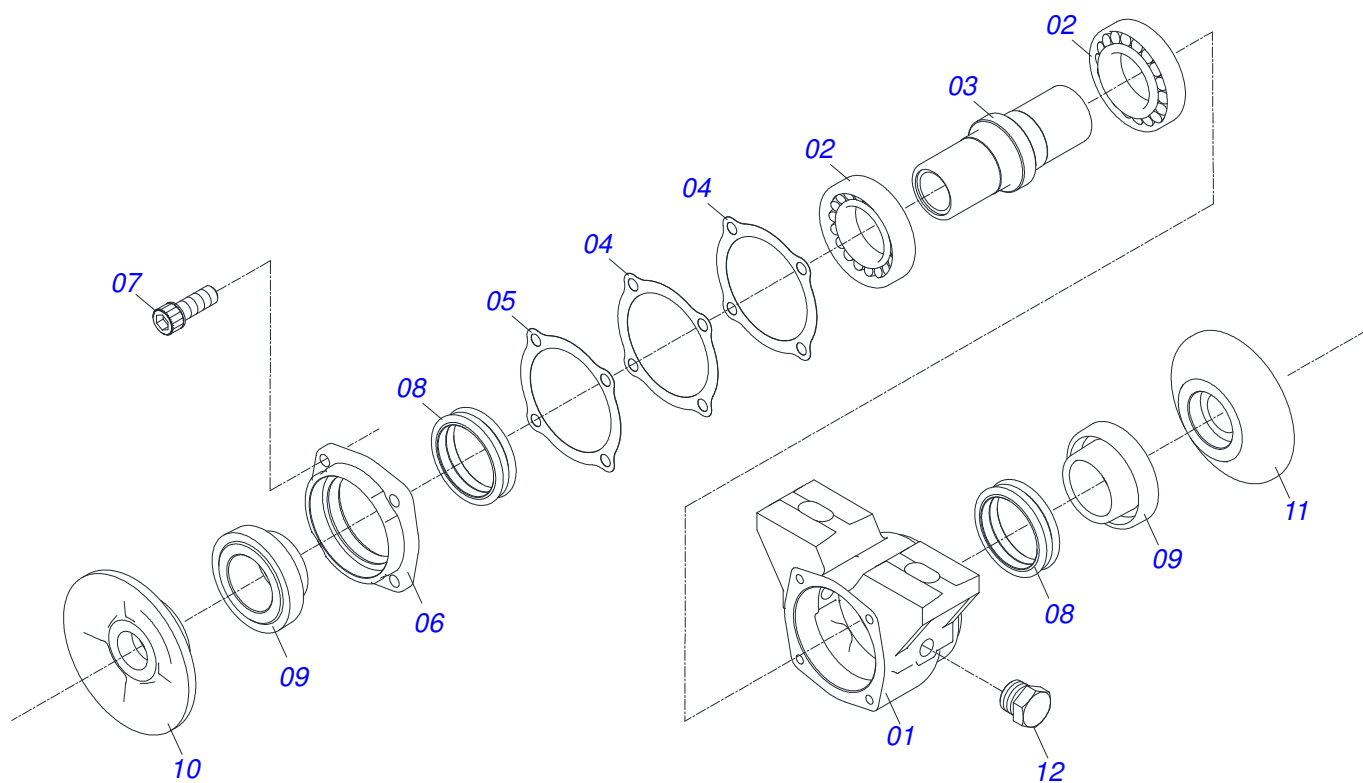
Item	Code	Description	QT
01	0521063116	WHEEL SUPPORT RIGTH	01
02	0521063117	WHEEL SUPPOT LEFT	00
03	0521063147	WHEEL ARM RIGTH	01
04	0521063148	WHEEL ARM LEFT	00
05	0503012314	2-248 1G05195 O'RING	01
06	0541016926	HUB COVER	01
07	0502040080	2.1/2" UM FLANGE NUT	01
08	0503010073	3/8 X 3-1/2 COTTERPIN	01
09	0503010002	1800 GREASE FITTING	03
10	0502012260	CAIXA RODADO TRANSPORTE GCRO 2240	01
11	0503010008	ROLAMENTO 3780/37203	01
12	0503011156	ROLAMENTO 2780/2720 IMP	01
13	0503010059	33287/33462 ROLLER BEARING	02
14	0503010050	SEAL 00085-B	01
15	0503013314	RETENTOR 5166-GB 63,5 X 110 X 13 ARCA	01
16	0511012492	ARRUELA LISA 28 X 46 X 6,30	01
17	0503030009	1" CASTLE NUT	01
18	0503010018	5/32 X 1-1/2 COTTERPIN	01
19	0501010186	PARAFUSO ROD 5/8UNF X 2.1/8CR	08
20	0503010064	5/8 UNF CONIC NUT	08
21	0502020591	PROTECCION COVER	01
22	0503011444	SPRING WASHER	04
23	0503010358	5/16" X 5/8" BOLT	04



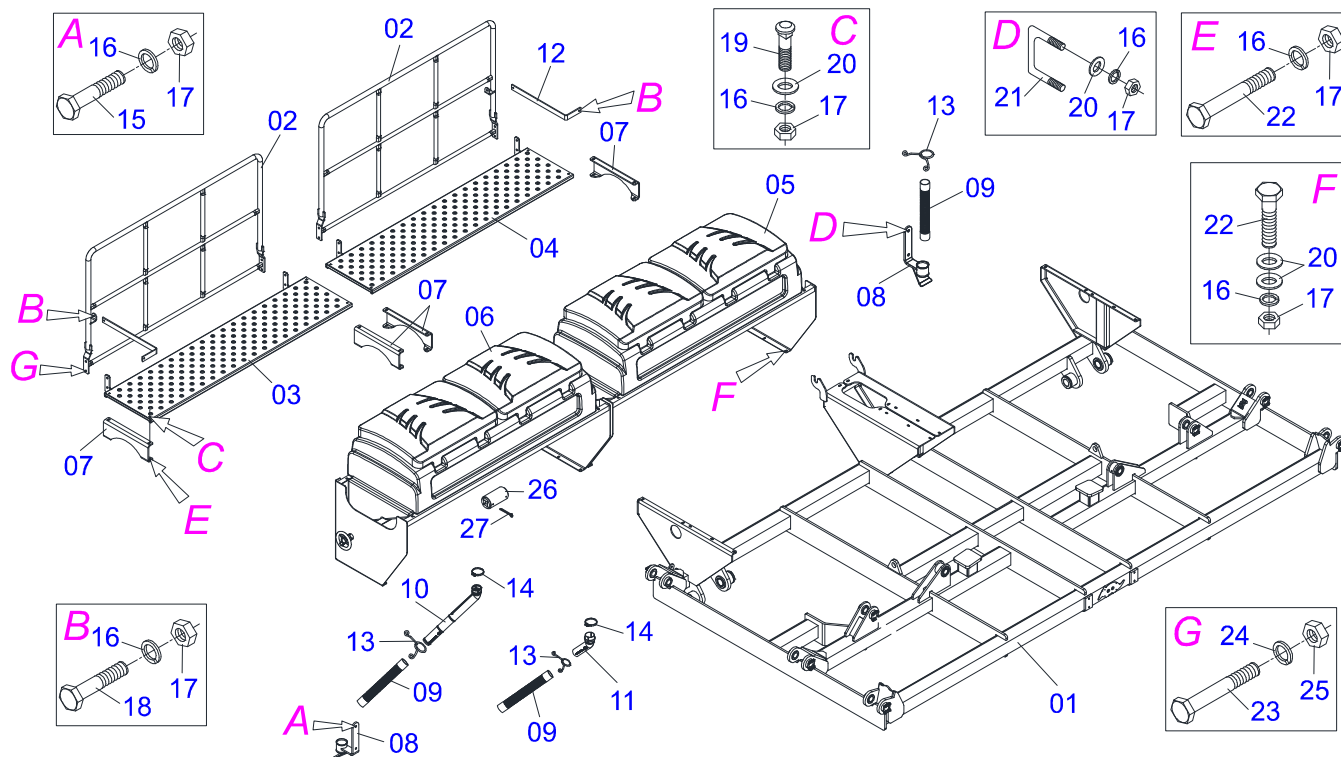
Item	Code	Description	QT
00	0511051871	ARM BREAK ROLLER	01
01	0521063139	ARM ROLLER	01
02	0521010808	1.4" X 5.8" COUPLING SHAFT	01
03	0521063150	ASSY	01
04	0521010578	COUPLING SHAFT	01
05	0503010523	1/4" X 2" COTTERPIN	01
06	0503031575	2.5"X 12" X 0.5" COMPRESSION SPRING	01
07	0571011377	SPRING GUIDES SLEVE	02
08	0571011378	TRUNNION ARTICULATOR SPRING ROD	01
09	0501010059	1.5/8 NUT	04
10	0521063151	TRUNNION LOCK ARTICULATOR SPRING ROD	02
11	0521063134	FIXER ROLL	01
12	0503010920	1/2" X 1.1/2" BOLT	02
13	0503010019	1/2" SPRING WASHER	02
14	0521062685	PIVOT AXLE	01
15	0503012267	5/16" X 3" COTTER PIN	02
16	0503010002	1800 GREASE FITTING	01
17	0571011609	FIXER PLATE CUTTING DISC	01
18	0503014744	3/4 UNF X 7.1/2 C S G.7 ZN BOLT	02
19	0503010023	SPRING WASHER	02
20	0503010335	3/4"NUT	02
21	0511019685	FLAT WASHER	02
22	0503010060	1/2" NUT	02



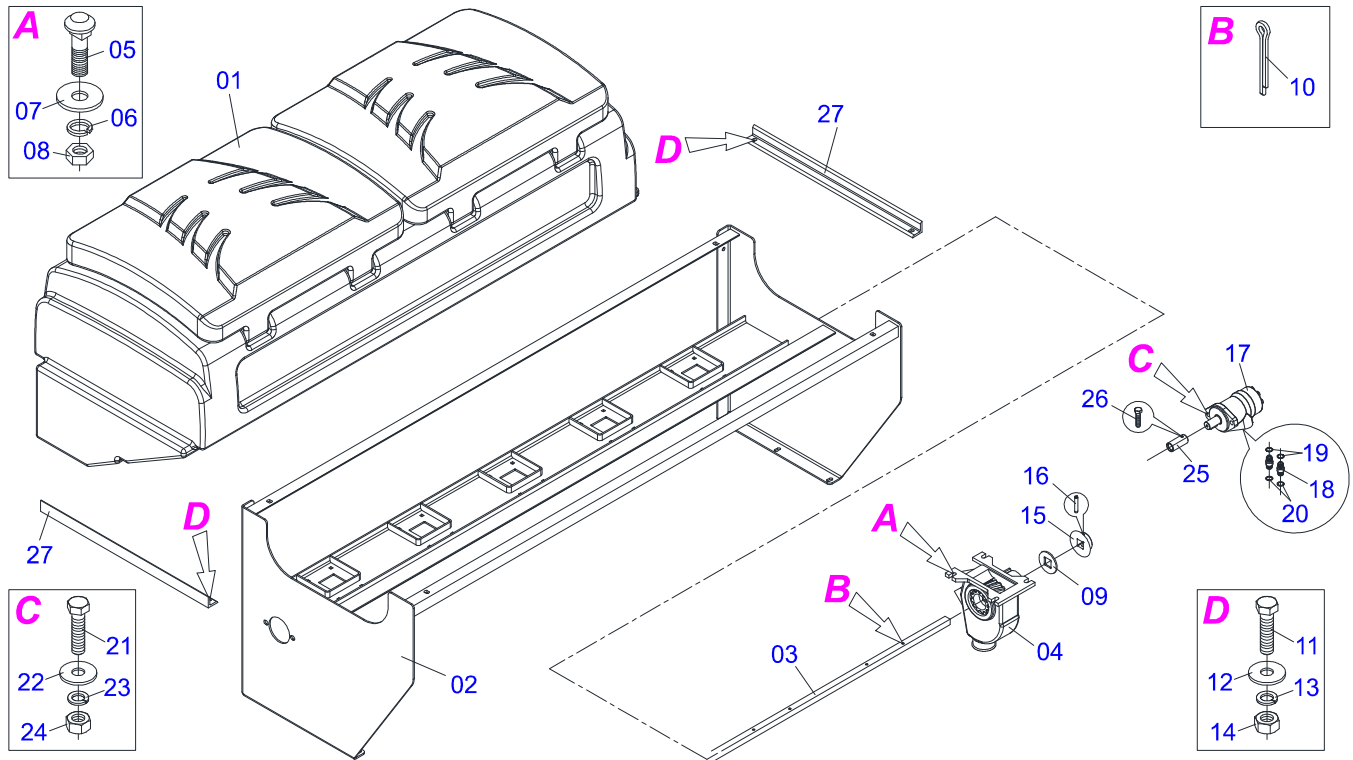
Item	Code	Description	QT
01	0521040834	BREAK ROLLER	01
01A	0521063140	BREAK ROLLER	01
02	0521063141	SUPPORT ARM ROLLER CENTER	01
03	0521062673	BRACKET MOBILE FIXER ROLLER	01
04	0501010100	5/8 UNC X 2 C S G.5 BOLT	04
05	0501012140	FLAT WASHER	08
06	0503011445	SPRING WASHER	04
07	0503010013	5/8" NUT	04
08	0501010752	1.1/4" X 500 AXLE	02
09	0531018575	ARRUELA CONCAVA 33,50X 140X 4,75	02
10	0501046922	7.5" X 1-1/4" OIL BATH BEARING	02
11	0501058802	5/8 UNC X 2.3/4 BOLT ASSY	04
11A	0503015154	5/8" X 2.3/4" BOLT	04
11B	0501010947	5/8 NUT LOCK	04
11C	0503010013	5/8" NUT	08
12	0502010835	1-1/4" EXTERNAL AXLE WASHER	04
13	0501010087	1.1/4" NUT	04
14	0501010455	1.1/4" NUT LOCK	04
15	0501010161	1/2" X 1.1/4" BOLT	04
16	0503011440	SPRING WASHER	04
17	0503010060	1/2" NUT	04



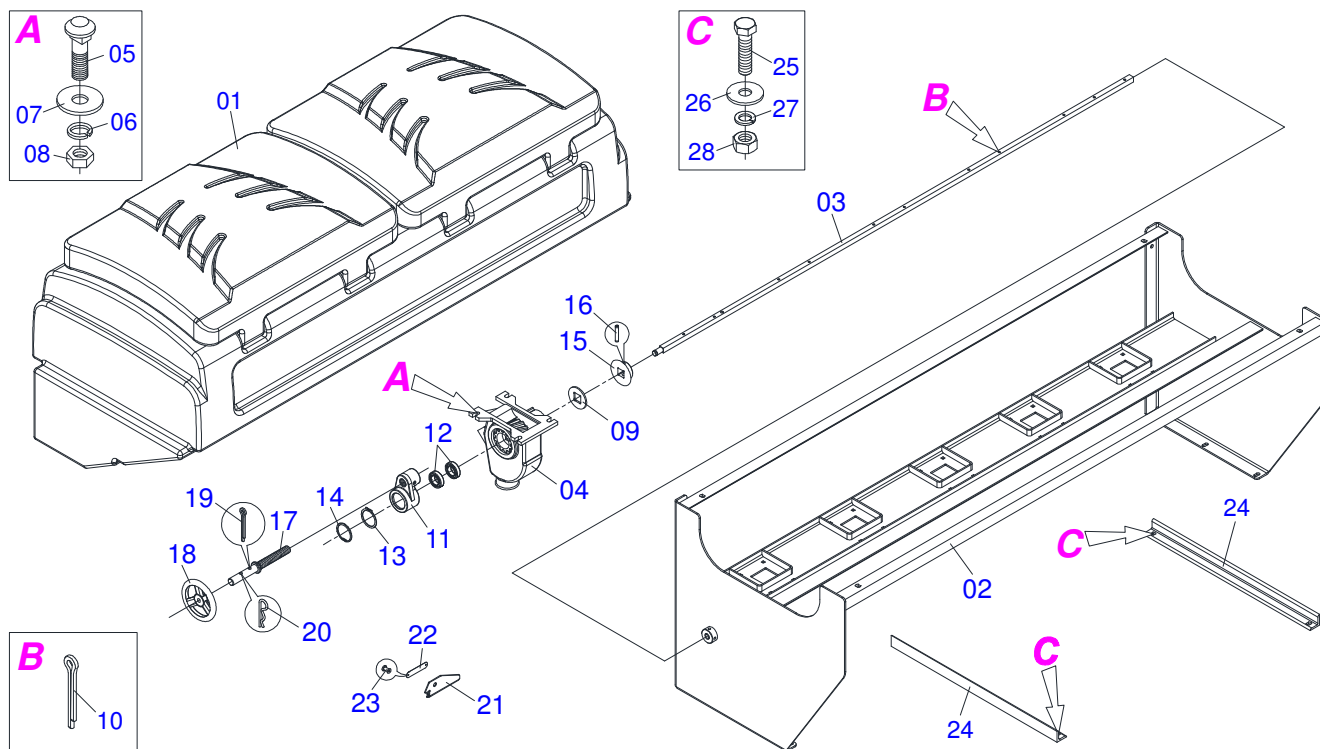
Item	Code	Description	QT
01	0502010540	HOUSING DM	01
02	0503010111	30210 ROLLER BEARING	02
03	0502040218	AXLE	01
04	0503030013	4.4" X 3.5" X 0.004" JOINT	02
05	0503030684	4.4" X 3.5" X 0.004" JOINT	01
06	0502020424	HOUSING CAP DM	01
07	0503010134	3/8" X 1" BOLT	04
08	0503030026	SEAL LP JB-253	02
09	0502010541	SEAL RETAINER	02
10	0502010070	OUTER FLANGE	01
11	0502010071	INNER FLANGE	01
12	0503010856	OIL PLUG	01



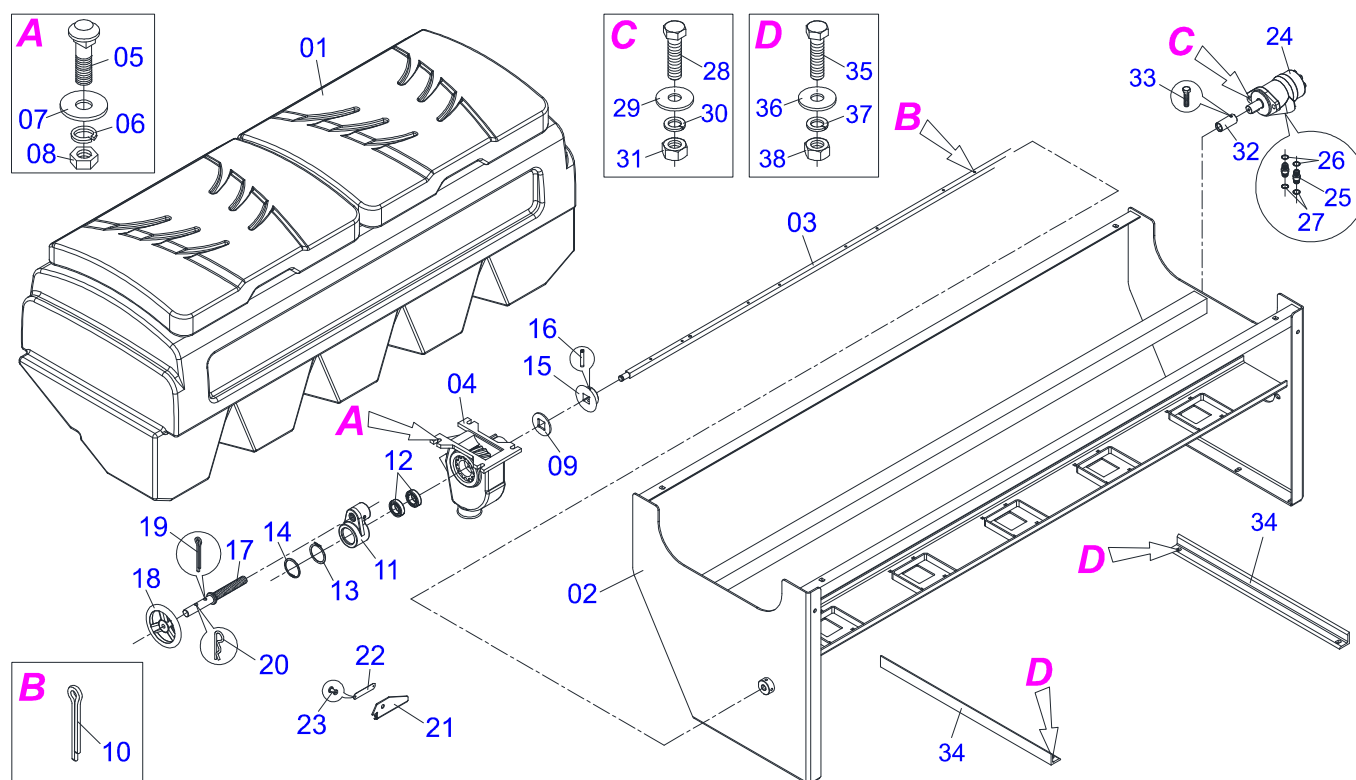
Item	Code	Description	QT
00	0521043588	CENTRAL FRAME	01
01	0521064615	CENTRAL FRAME	01
02	0521063641	HANDRAIL	02
03	0521063652	REAR PLATAFORM	01
04	0521063651	REAR PLATAFORM	01
05	0511052687	LH REAR FINE SEED BOX ASSY	01
06	0511052688	RIGHT REAR FINE SEED BOX ASSY	01
07	0571015439	PLATFORM SUPPORT	04
08	0521063650	HOSE SOPPORT ASSY	10
09	0503030408	10 X 2 X 390 HOSE	10
10	0503031826	CURVED CONDUCTOR	02
11	0503031050	CURVED CONDUCTOR	02
12	0571012761	REAR HANDRAIL LOCK	02
13	0503031076	2" HOSE CLAMP	10
14	0503010246	CLAMP	04
15	0503010751	C3/8" X 1.1/4" HEX BOLT G.5	04
16	0503010025	3/8 SPRING WASHER	52
17	0503010026	3/8" NUT	52
18	0503010237	3/8" X 1" BOLT	04
19	0501018526	3/8" X 2" BOLT	08
20	0501010984	FLAT WASHER	48
21	0521010664	3/8 FASTENER	08
22	0503010849	3/8" X 1-1/2" BOLT	20
23	0503010920	1/2" X 1.1/2" BOLT	08
24	0503010019	1/2" SPRING WASHER	08
25	0503010060	1/2" NUT	08
26	0521062011	PULLER SLEEVE	01
27	0503010274	5/32"X 2" COTTERPIN	02



Item	Code	Description	QT
01	0503060641	COVER BOX LEFT FERTILIZER	01
02	0521063648	SUPPORT	01
03	0571012756	AXLE DITRIBUTOR	01
04	0503032990	SEED DISTRIBUTOR BOX	05
05	0503011953	5/16" X 1" BOLT	20
06	0503010179	SPRING WASHER	20
07	0501010694	FLAT WASHER	20
08	0503010337	5/16" NUT	20
09	0541015361	FLAT WASHER	10
10	0503010257	1/8" X 1" COTTERPIN	10
11	0503010849	3/8" X 1-1/2" BOLT	04
12	0501011517	FLAT WASHER	04
13	0503010025	3/8 SPRING WASHER	04
14	0503010026	3/8" NUT	04
15	0503032423	LARGE DOSER	01
16	0503010561	SPRING PIN	01
17	0503014364	MOTOR W/ AXLE	01
18	0503030925	13/16" NIPPLE	02
19	0503010045	2-116 N 3006-9B O-RING	02
20	0503011030	2-014 N 3006-9B O-RING	02
21	0503010920	1/2" X 1.1/2" BOLT	02
22	0511017302	FLAT WASHER	02
23	0503010019	1/2" SPRING WASHER	02
24	0503010060	1/2" NUT	02
25	0521063649	SLEEVE COUPLING	01
26	0503011136	1/2" X 1/2" CSI BOLT	01
27	0521015267	L 1.1/2" X 1/4" X 26.6" WITH HOLE	02



Item	Code	Description	QT
00	0511052688	RIGHT REAR FINE SEED BOX ASSY	01
01	0503060641	COVER BOX LEFT FERTILIZER	01
02	0521063647	SUPPORT	01
03	0571012755	AXLE DITRIBUTOR	01
04	0503032990	SEED DISTRIBUTOR BOX	05
05	0503011953	5/16" X 1" BOLT	20
06	0503010179	SPRING WASHER	20
07	0501010694	FLAT WASHER	20
08	0503010337	5/16" NUT	20
09	0541015361	FLAT WASHER	10
10	0503010257	1/8" X 1" COTTERPIN	10
11	0502012325	SEED REG BEARING	01
12	0503012882	BALL BEARING	02
13	0503012104	501015 CLAMPING RING (FOR AXLE)	01
14	0503011945	503050 CLAMPING RING (FOR AXLE)	01
15	0503032423	LARGE DOSER	01
16	0503010561	SPRING PIN	01
17	0541015305	HANDLE SPINDLE	01
18	0551019597	SEED REGULACION HANDLE	01
19	0503010523	1/4" X 2" COTTERPIN	01
20	0503031035	HAIR PIN	01
21	0561017360	SEED DOSADOR SCALE SUPPORT	01
22	0503030886	SCALE DOSER	01
23	0503010001	RIVET POP	02
24	0521015267	L 1.1/2" X 1/4" X 26.6" WITH HOLE	02
25	0503010849	3/8" X 1-1/2" BOLT	04
26	0501011517	FLAT WASHER	04
27	0503010025	3/8 SPRING WASHER	04
28	0503010026	3/8" NUT	04



Item	Code	Description	QT
01	0503060640	COVER BOX RIGHT FERTILIZER	01
02	0521063646	SUPPORT	01
03	0571012755	AXLE DITRIBUTOR	01
04	0503032990	SEED DISTRIBUTOR BOX	05
05	0503011953	5/16" X 1" BOLT	20
06	0503010179	SPRING WASHER	20
07	0501010694	FLAT WASHER	20
08	0503010337	5/16" NUT	20
09	0541015361	FLAT WASHER	10
10	0503010257	1/8" X 1" COTTERPIN	10
11	0502012325	SEED REG BEARING	01
12	0503012882	BALL BEARING	02
13	0503012104	501015 CLAMPING RING (FOR AXLE)	01
14	0503011945	503050 CLAMPING RING (FOR AXLE)	01
15	0503032423	LARGE DOSER	01
16	0503010561	SPRING PIN	01
17	0541015305	HANDLE SPINDLE	01
18	0551019597	SEED REGULACION HANDLE	01
19	0503010523	1/4" X 2" COTTERPIN	01
20	0503031035	HAIR PIN	01
21	0561017360	SEED DOSADOR SCALE SUPPORT	01
22	0503030886	SCALE DOSER	01
23	0503010001	RIVET POP	02
24	0503014364	MOTOR W/ AXLE	01
25	0503030925	13/16" NIPPLE	02
26	0503010045	2-116 N 3006-9B O'RING	02
27	0503011030	2-014 N 3006-9B O'RING	02
28	0503010920	1/2" X 1.1/2" BOLT	02
29	0511017302	FLAT WASHER	02
30	0503010019	1/2" SPRING WASHER	02
31	0503010060	1/2" NUT	02
32	0521063649	SLEEVE COUPLING	01
33	0503011136	1/2" X 1/2" CSI BOLT	01
34			



FINE SEED BOX

0511055653

Item	Code	Description	QT
34	0521015267	L 1.1/2" X 1/4" X 26.6" WITH HOLE	02
35	0503010849	3/8" X 1-1/2" BOLT	04
36	0501011517	FLAT WASHER	04
37	0503010025	3/8 SPRING WASHER	04
38	0503010026	3/8" NUT	04



MARCHESAN IMPLEMENTOS E MÁQUINAS AGRÍCOLAS TATU S.A.

AV. Marchesan, 1979 - Post office box, 131 - CEP 15994-900 - Matão - SP - Brazil

Phone +55 16.3382-8282

(FAX Parts) + 55 16.3382. 8297 - (Export) + 55 16.3382.1003

e.mail: tatu@marchesan.com.br www.marchesan.com.br

Technical Publications: Elaboration

LUIZ CANDIDO

Technical Publications: Revision

LUIZ CANDIDO

Contact Catálogo:

E-mail = jgaspari@marchesan.com.br

**ORIGINAL PARTS
TATU**

