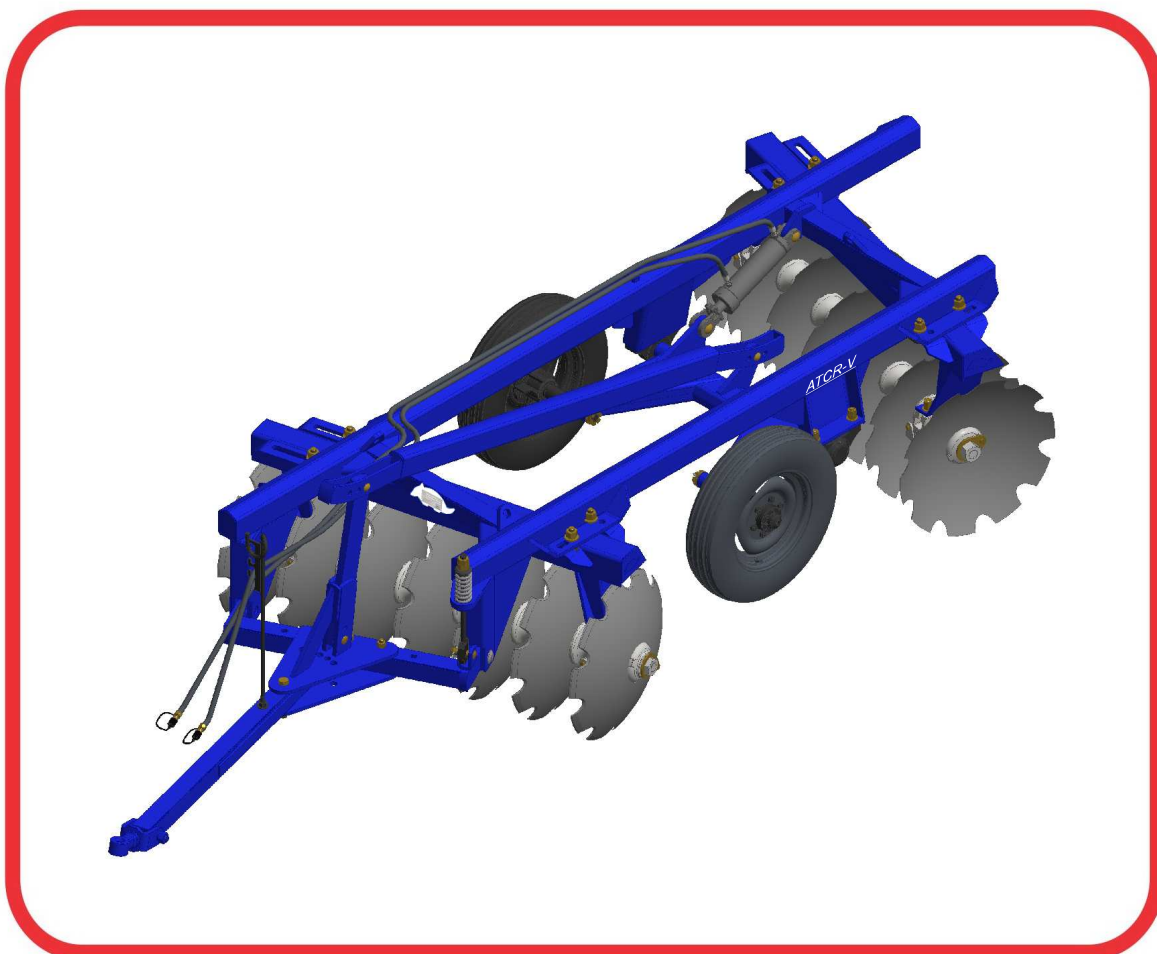


# PARTS CATALOG

## OFFSET DISK HARROW

### ATCR-V 18A32

Code: 0501092109



Series: S-0107

Review: JANEIRO/2018

ORIGINAL PARTS  
TATU



# PRODUCTS

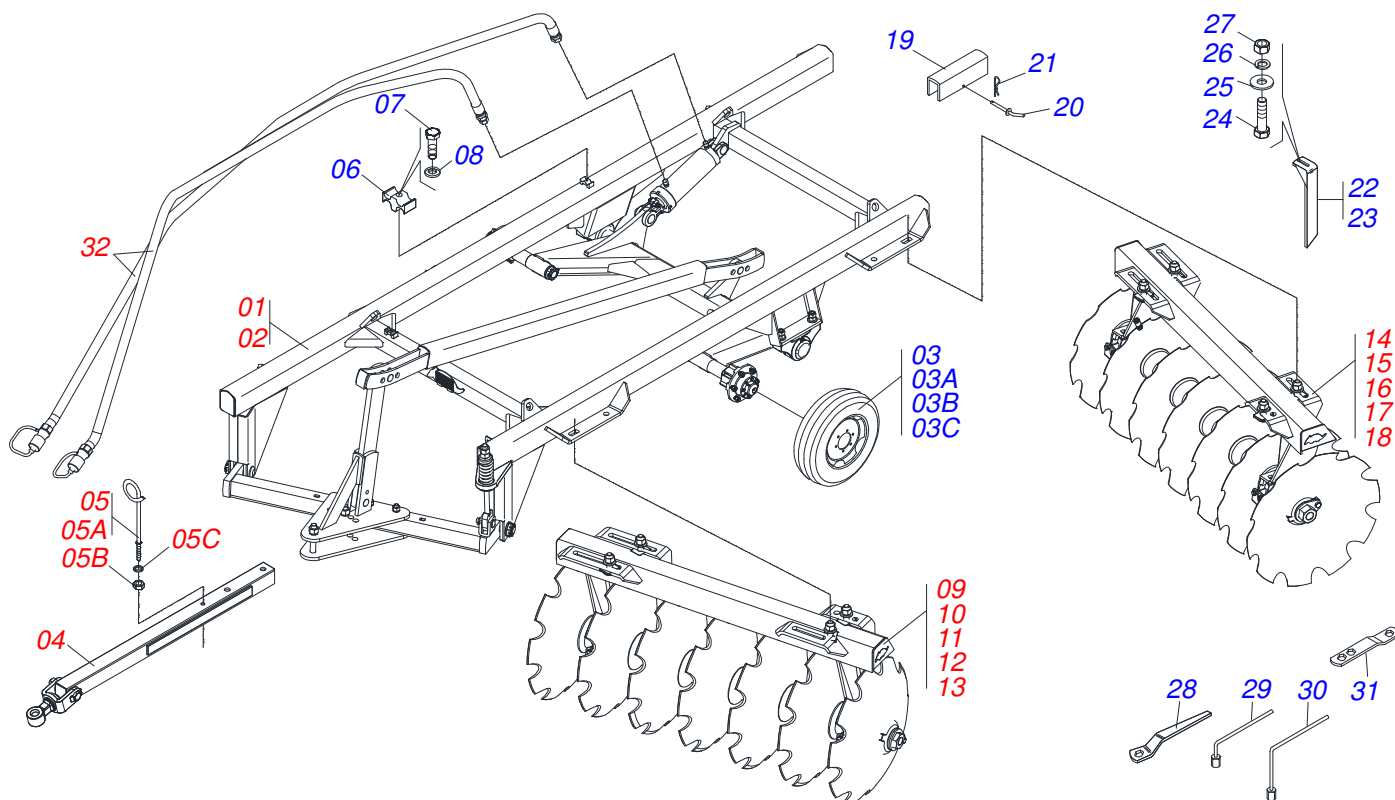
Code	Description
0102440355	ATCR-V 18 X 26 X 6,00 DM S-0107
0102440390	ATCR-V 20 X 24 X 6,00 DM S-0107
0102440356	ATCR-V 20 X 26 X 6,00 DM S-0107
0102440391	ATCR-V 24 X 24 X 6,00 DM S-0107
0102440357	ATCR-V 24 X 26 X 6,00 DM S-0107
0102440358	ATCR-V 28 X 26 X 6,00 DM S-0107
0102440363	ATCR-V 32 X 26 X 6,00 DM S-0107

## ATTENTION: **IMPORTANT**

MARCHESAN S/A RESERVES THE RIGHT AT ANY TIME TO MAKE IMPROVEMENTS IN THE DESIGN, MATERIAL OR SPECIFICATIONS OF MACHINERY, EQUIPMENT OR PARTS WITHOUT THEREBY BECOMING LIABLE TO MAKE SIMILAR CHANGES IN MACHINERY, EQUIPMENT OR PARTS PREVIOUSLY SOLD.

# INDEX

0909093675	ATCR-V 18 A 32	.....	1
0501043654	FRAME ASSY	.....	2
0501044123	FRAME ASSY	.....	3
0501041096	DRAWBAR ASSY	.....	4
0511054467	FRONT FRAME	.....	5
0511054468	FRONT FRAME	.....	6
0511054469	FRONT FRAME	.....	7
0511054470	FRONT FRAME	.....	8
0511053850	FRONT FRAME	.....	9
0909093680	REAR FRAME ASSY	.....	10
0909093681	REAR FRAME ASSY	.....	11
0909093682	REAR FRAME ASSY	.....	12
0909093683	REAR FRAME ASSY	.....	13
0909093684	REAR FRAME ASSY	.....	14
0511040344	BEARING ASSY	.....	15
0511059180	HYDRAULIC CYLINDER	.....	16
0501051634	TSTUB SHAFT & HUB ASSY	.....	17
0503011360	HOSE KIT	.....	18
0501053834	QUICK CONECTION (MALE) 1/2	.....	19

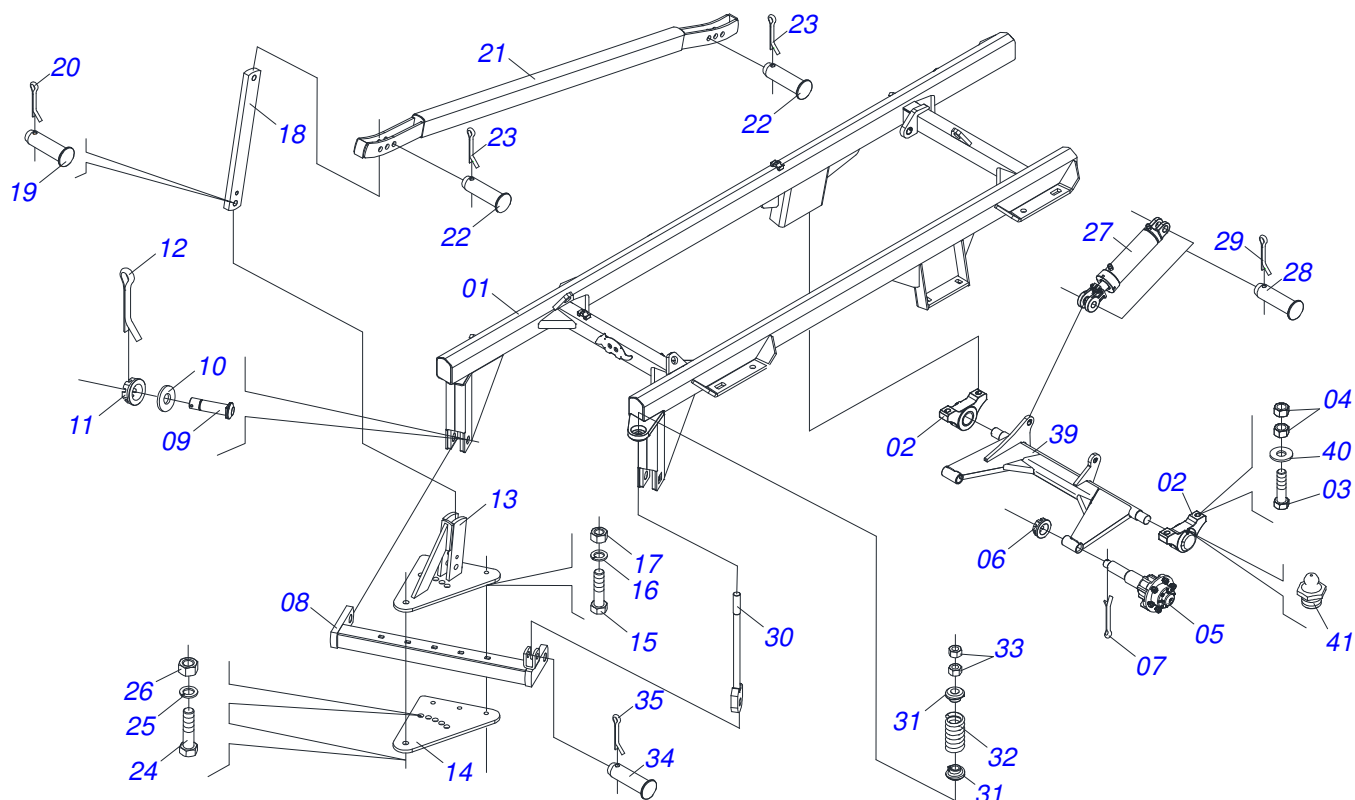


Item	Code	Description	18	20	24	28	32	D
01	0501043654	FRAME ASSY	01	01	01	00	00	
02	0501044123	FRAME ASSY	00	00	00	01	01	
03	0503060091	L29.5"X0.63"-10L WHEEL AND	02	02	02	02	02	
03A	0503010893	WHEEL	02	02	02	02	02	
03B	0503010033	7.50 X 16 INNER TIRE	02	02	02	02	02	
03C	0503010120	CANVAS TIRE	02	02	02	02	02	
04	0501041096	DRAWBAR ASSY	01	01	01	01	01	
05	0501040257	3/4 X 1200 HOSE HOLDER A	01	01	01	01	01	
05A	0511067334	HOSE SOPPORT ASSY	01	01	01	01	01	
05B	0503010014	3/4" NUT	01	01	01	01	01	
05C	0501010322	FLAT WASHER	01	01	01	01	01	
06	0502012702	BODY SUPPORT CLAMP	02	02	02	02	02	
07	0503012555	7/16" X 2" BOLT	02	02	02	02	02	
08	0503010180	7/16" SPRING WASHER	02	02	02	02	02	
09	0511054467	FRONT FRAME	01	00	00	00	00	
10	0511054468	FRONT FRAME	00	01	00	00	00	
11	0511054469	FRONT FRAME	00	00	01	00	00	
12	0511054470	FRONT FRAME	00	00	00	01	00	
13	0511053850	FRONT FRAME	00	00	00	00	01	
14	0909093680	REAR FRAME ASSY	01	00	00	00	00	
15	0909093681	REAR FRAME ASSY	00	01	00	00	00	
16	0909093682	REAR FRAME ASSY	00	00	01	00	00	
17	0909093683	REAR FRAME ASSY	00	00	00	01	00	
18	0909093684	REAR FRAME ASSY	00	00	00	00	01	
19	0511010839	TRANSPORT LOCK 7.9" X 2.1" X 0.4"	01	01	01	01	01	
20	0501068994	0.3" X 3.1" LOCK PIN	01	01	01	01	01	
21	0503030168	HAIR PIN	01	01	01	01	01	
22	0501064168	REAR SCRAPER	05	05	05	06	06	
23	0501064167	REAR SCRAPER	05	05	05	06	06	
24	0503011082	C1/2" X 1.3/4" BOLT	32	36	38	40	42	
25	0511017302	FLAT WASHER	32	36	38	40	42	
26	0503010019	1/2" SPRING WASHER	32	36	38	40	42	
27	0503010060	1/2" NUT	32	36	38	40	42	



**ATCR-V 18A32**  
**ATCR-V 18 A 32**

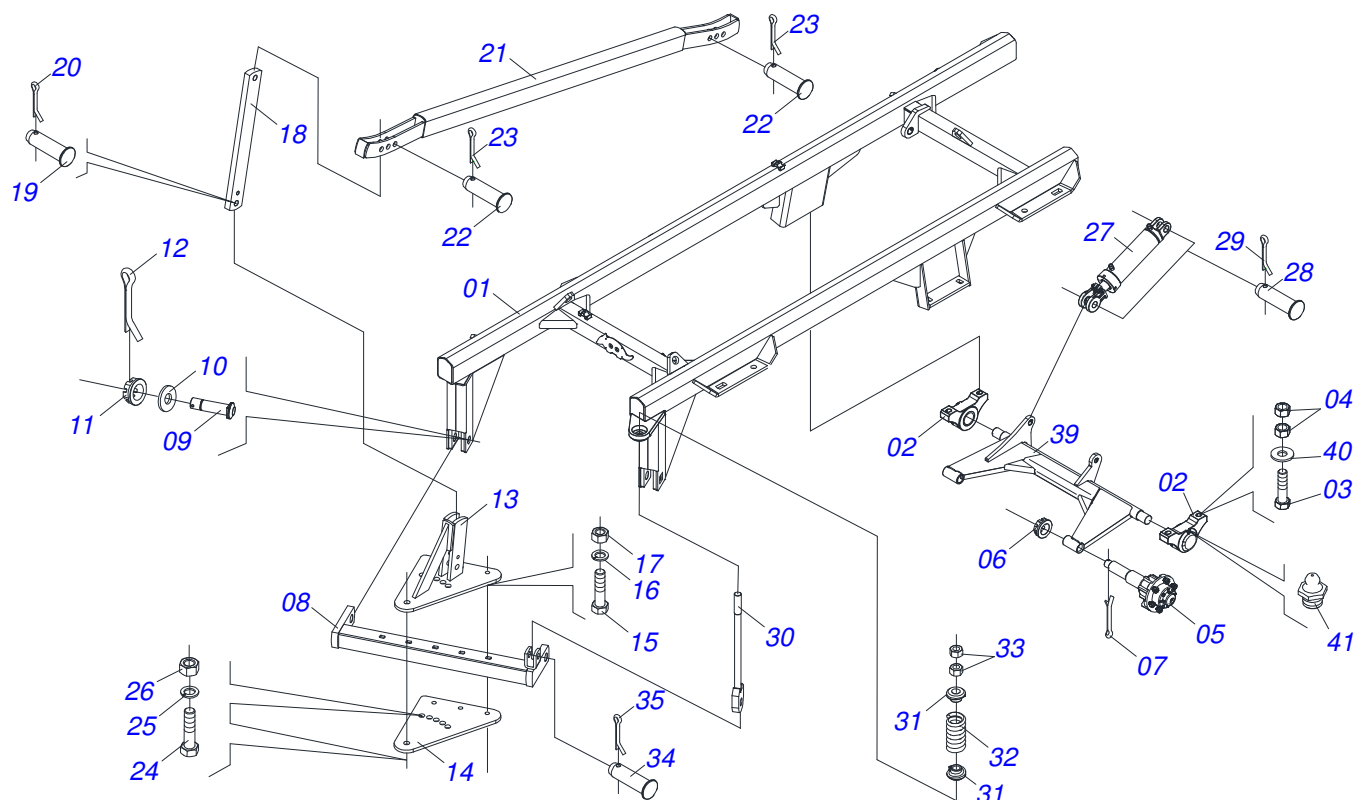
Item	Code	Description	18	20	24	28	32	D
28	0501011432	1-1/2" AND 1-5/8 GANG BOLT WRENCH	02	02	02	02	02	
29	0501061617	1" GANG BOLT WRENCH	01	01	01	01	01	
30	0501068273	5/8" WRENCH	01	01	01	01	01	
31	0511018451	5/8" X 3/4" X 1" UNIVERSAL	01	01	01	01	01	
32	0503011360	HOSE KIT	01	01	01	01	01	



Item	Code	Description	QT
001	0501065311	ATCRL 18A25 CENTER FRAMEAM	01
002	0501110856	ARTICULACION BEARING	02
003	0503010797	3/4" X 4" BOLT	04
004	0503010014	3/4" NUT	08
005	0501051634	TSTUB SHAFT & HUB ASSY	02
006	0501011301	1.1/2 UNC 6FPP 2.5/16 NUT	02
007	0503010010	1/4" X 2.1/2" COTTERPIN	02
008	0501063260	OFFSET BAR	01
009	0521017538	11-1/2" X 5" COUPLING SHAFT	02
010	0511019880	FLAT WASHER	02
011	0501011301	1.1/2 UNC 6FPP 2.5/16 NUT	02
012	0503010010	1/4" X 2.1/2" COTTERPIN	02
013	0501066099	UPPER PLATE WITH SUPPORT	01
014	0501010241	UPPER /LOWER PLATE	01
015	0503011198	C3/4" X 6" BOLT	03
016	0503011442	3/4" SPRING WASHER	03
017	0503010014	3/4" NUT	03
018	0511012972	TSTABILIZER BAR TOWER	01
019	0521010576	0.9" X 3.7" COUPLING SHAFT	01
020	0503010571	1/4" X 1.1/2" COTTERPIN	01
021	0511066932	CSTABILIZER BARCOTTERPIN	01
022	0521010575	C0.9" X 3.3" COUPLING SHAFT	02
023	0503010571	1/4" X 1.1/2" COTTERPIN	02
024	0501010060	1" X 6-1/2" BOLT	02
025	0503011438	SPRING WASHER	02
026	0501010059	1.5/8 NUT	02
027	0511059180	HYDRAULIC CYLINDER	01
028	0521012538	1.2" X 3.5" COUPLING SHAFT	02
029	0503010523	1/4" X 2" COTTERPIN	02
030	0501064698	SPRING ROD	01
031	0502020392	SPRING SUPPORT	02
032	0503030441	12.7" X 5.7" X 0.5" SPRING	01
033	0501010059	1.5/8 NUT	02



Item	Code	Description	QT
034	0521010592	1.1" X 3.1" COUPLING SHAFT	01
035	0503010571	1/4" X 1.1/2 COTTERPIN	01
036	0503031428	ADHESIVE LABEL ATTENTION	01
037	0503031087	ADHESIVE LABEL	01
038	0503061529	SET LABEL ADHESIVE	01
039	0501065518	CARRYING-WHEELS	01
040	0501010322	FLAT WASHER	04
041	0503010002	1800 GREASE FITTING	02

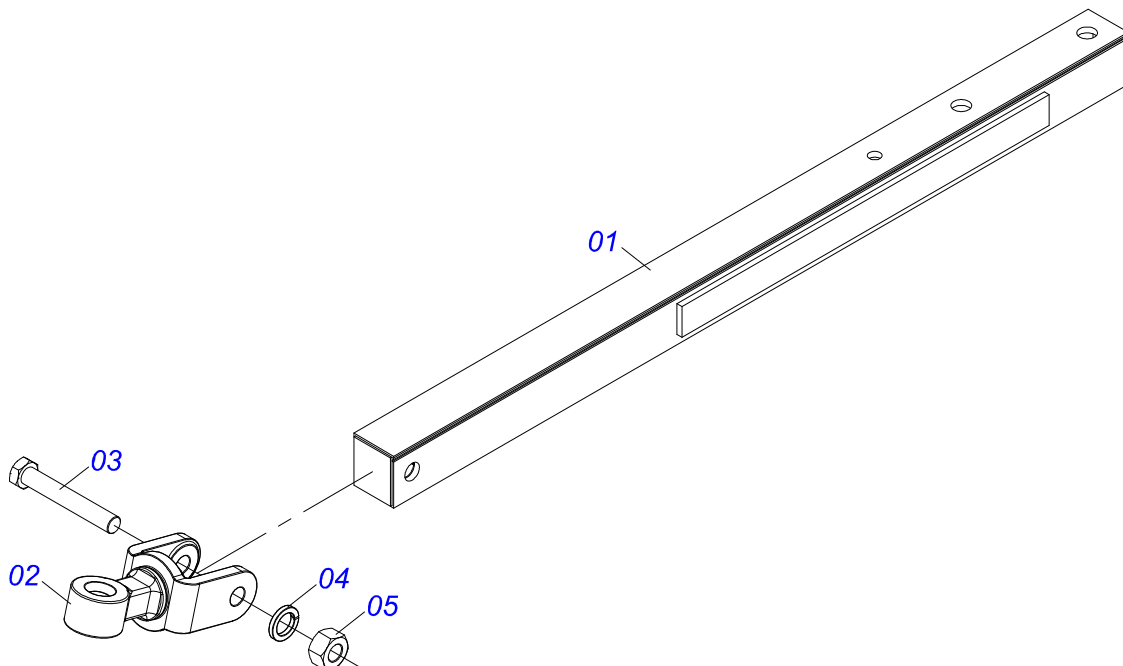


Item	Code	Description	QT
001	0501068765	ATCRL 28 A 36 CENTER FRAME	01
002	0501110856	ARTICULACION BEARING	02
003	0503010797	3/4" X 4" BOLT	04
004	0503010014	3/4" NUT	08
005	0501051634	TSTUB SHAFT & HUB ASSY	02
006	0501011301	1.1/2 UNC 6FPP 2.5/16 NUT	02
007	0503010010	1/4" X 2.1/2" COTTERPIN	02
008	0501063260	OFFSET BAR	01
009	0521017538	11-1/2" X 5" COUPLING SHAFT	02
010	0511019880	FLAT WASHER	02
011	0501011301	1.1/2 UNC 6FPP 2.5/16 NUT	02
012	0503010010	1/4" X 2.1/2" COTTERPIN	02
013	0501066099	UPPER PLATE WITH SUPPORT	01
014	0501010241	UPPER /LOWER PLATE	01
015	0503011198	C3/4" X 6" BOLT	03
016	0503011442	3/4" SPRING WASHER	03
017	0503010014	3/4" NUT	03
018	0511012972	TSTABILIZER BAR TOWER	01
019	0521010576	0.9" X 3.7" COUPLING SHAFT	01
020	0503010571	1/4" X 1.1/2" COTTERPIN	01
021	0511066932	CSTABILIZER BARCOTTERPIN	01
022	0521010575	C0.9" X 3.3" COUPLING SHAFT	02
023	0503010571	1/4" X 1.1/2" COTTERPIN	02
024	0501010060	1" X 6-1/2" BOLT	02
025	0503011438	SPRING WASHER	02
026	0501010059	1.5/8 NUT	02
027	0511059180	HYDRAULIC CYLINDER	01
028	0521012538	1.2" X 3.5" COUPLING SHAFT	02
029	0503010523	1/4" X 2" COTTERPIN	02
030	0501064698	SPRING ROD	01
031	0502020392	SPRING SUPPORT	02
032	0503030441	12.7" X 5.7" X 0.5" SPRING	01
033	0501010059	1.5/8 NUT	02

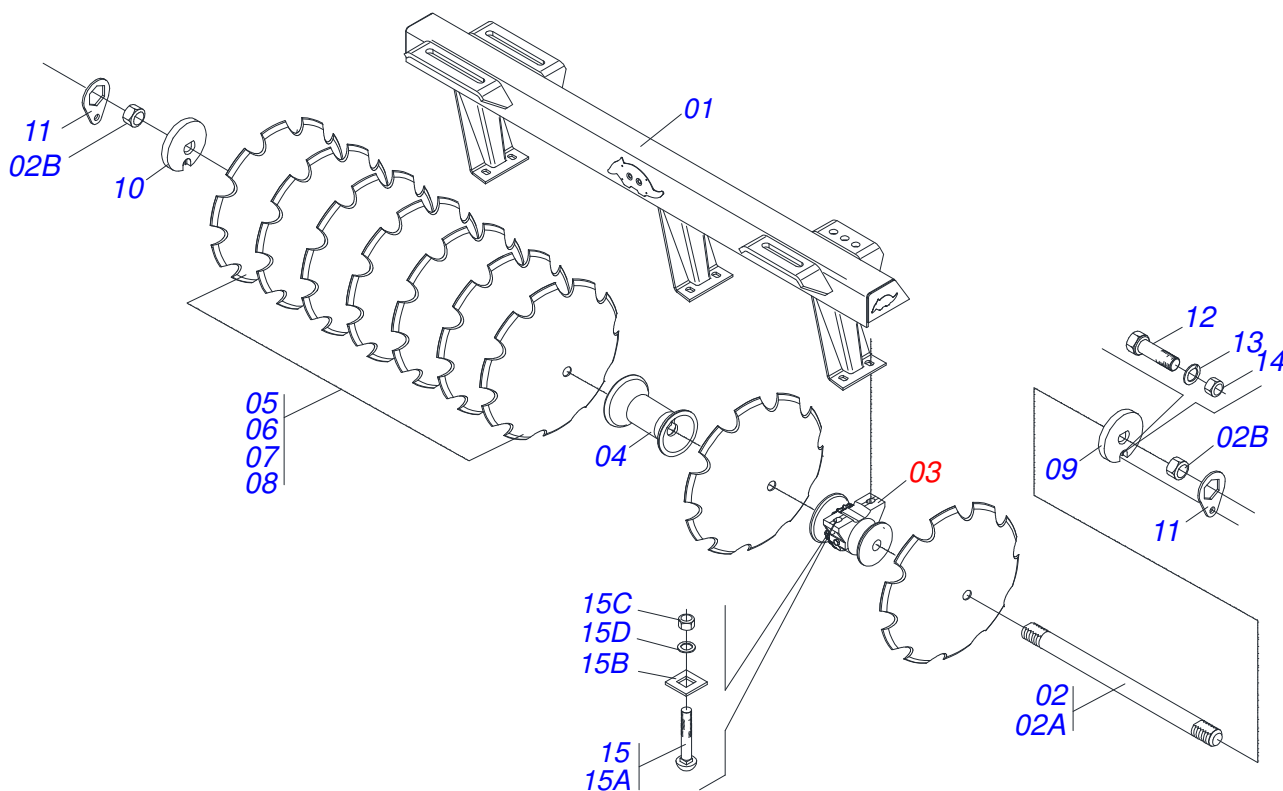




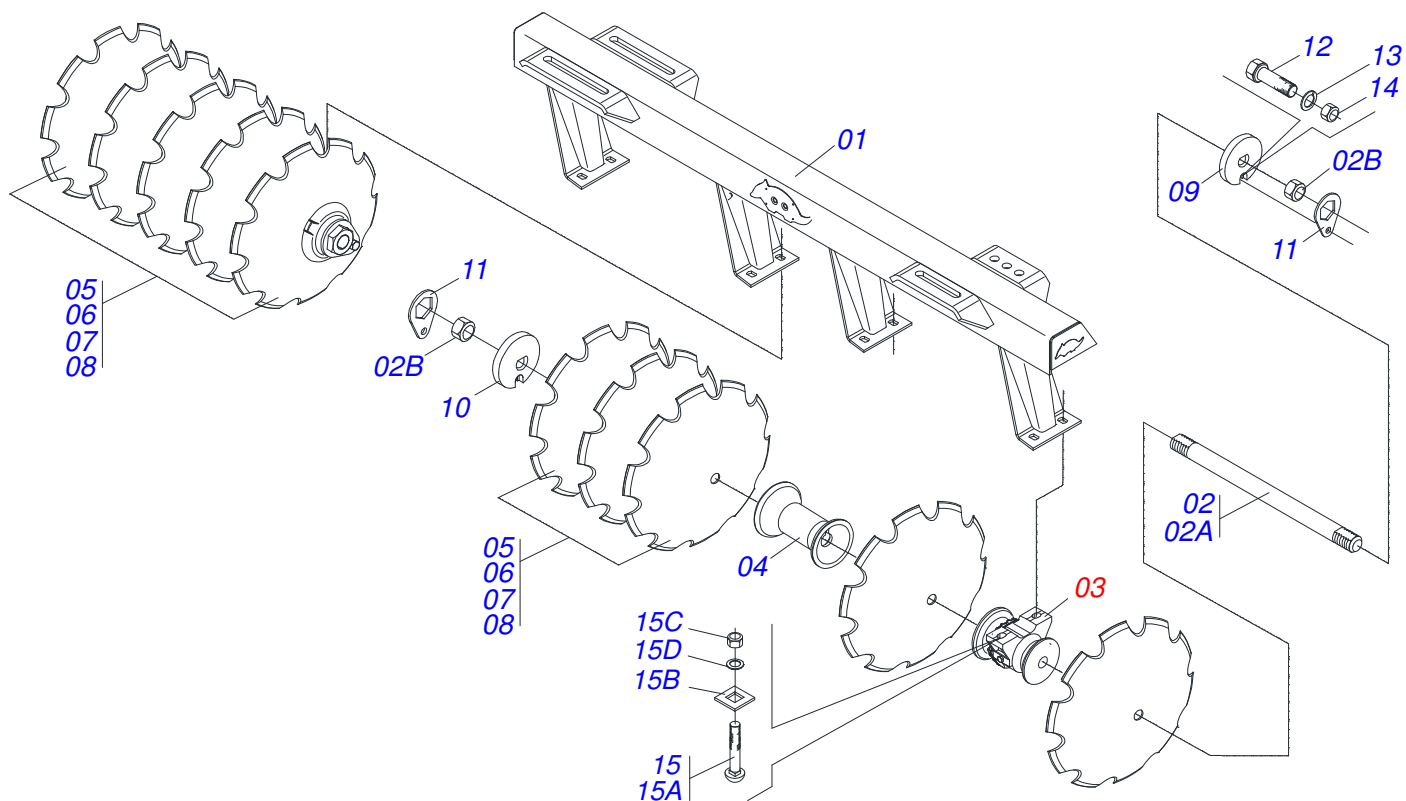
Item	Code	Description	QT
034	0521010592	1.1" X 3.1" COUPLING SHAFT	01
035	0503010571	1/4" X 1.1/2 COTTERPIN	01
036	0503031428	ADHESIVE LABEL ATTENTION	01
037	0503031087	ADHESIVE LABEL	01
038	0503061529	SET LABEL ADHESIVE	01
039	0501065518	CARRYING-WHEELS	01
040	0501010322	FLAT WASHER	04
041	0503010002	1800 GREASE FITTING	02



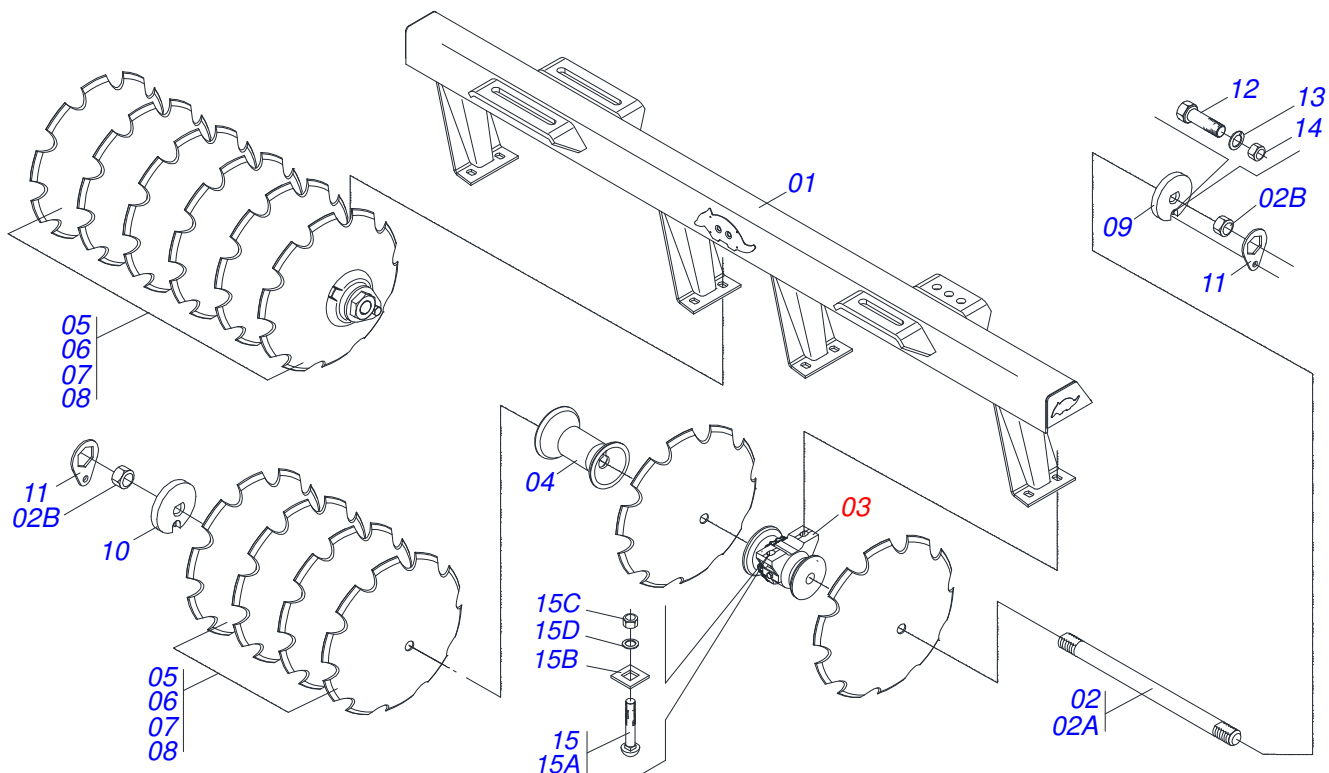
Item	Code	Description	QT
01	0501060188	DRAWBAR ASSY	01
02	0521061775	TRACTOR HITCH	01
03	0501010060	1" X 6-1/2" BOLT	01
04	0503011438	SPRING WASHER	01
05	0501010059	1.5/8 NUT	01



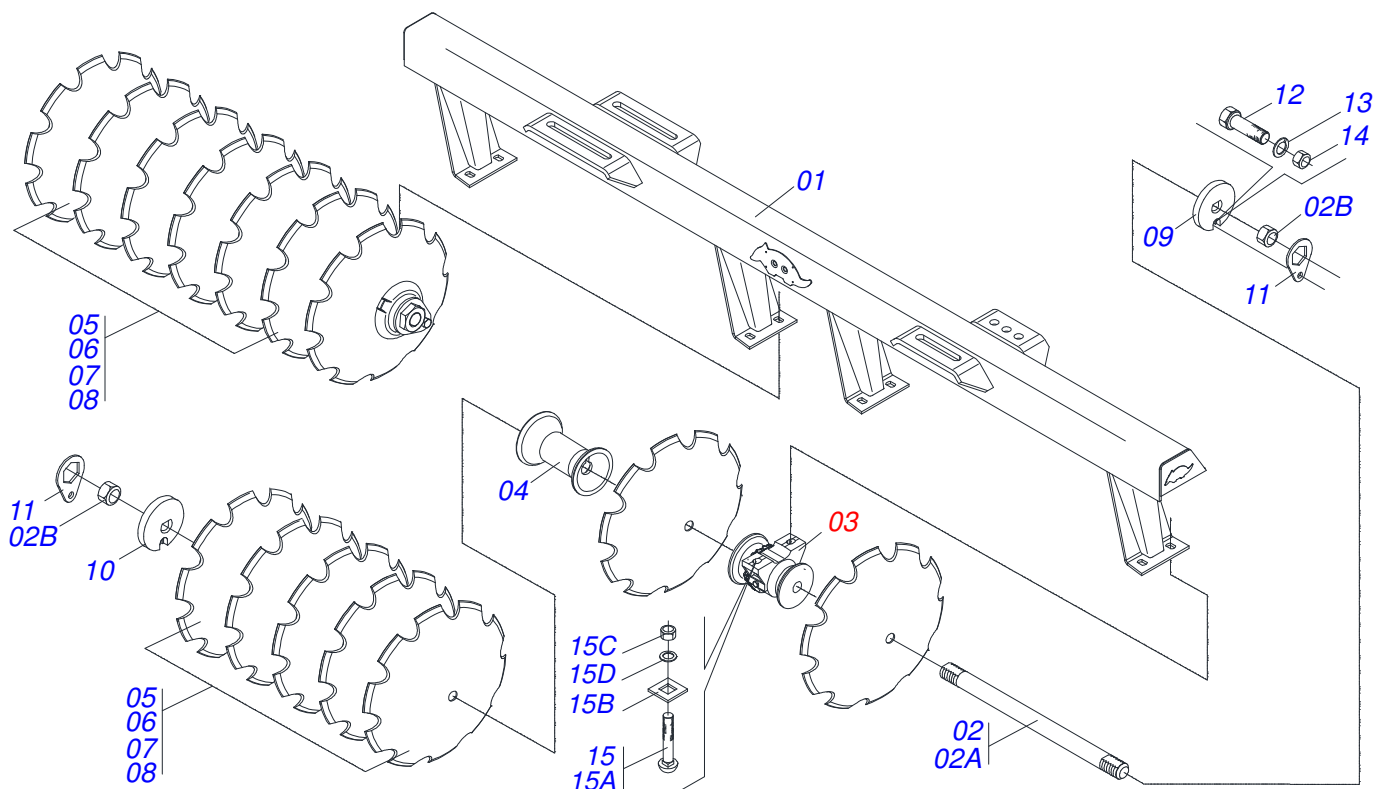
Item	Code	Description	QT
001	0511068557	FRONT FRAME	01
002	0501043756	1-1/2" X 77" AXLE WITH NUTS	02
002A	0511010230	1-1/2" X 77" AXLE	01
002B	0501010110	1.1/2" NUT	02
003	0511040344	BEARING ASSY	06
004	0502010621	8.8" 1-1/2" SPACER	10
005	0602033283	NOTCHED DISC BLADE	18
006	0602030237	24" X 4,75" NOTCHED DISC BLADE	18
007	0602029396	22X4,75 NOTCHED DISC BLADE	18
008	0602027355	20 X 3,5 NOTCHED DISC BLADE	18
009	0502010871	1-1/2" EXTERNAL AXLE WASHER	02
010	0502010872	1-1/2" INNER AXLE WASHER	02
011	0501018592	1.5/8" NUT LOCK	04
012	0503011267	5/8" X 1.1/2" BOLT	04
013	0503010027	SPRING WASHER	04
014	0503010013	5/8" NUT	04
015	0501048788	CONJUNTO PCS IMPL 5/8 UNC X 2.1/2 CA	12
015A	0501014177	5/8" X 2-1/2" BOLT	01
015B	0501010947	5/8 NUT LOCK	01
015C	0503010013	5/8" NUT	02
015D	0501012140	FLAT WASHER	01



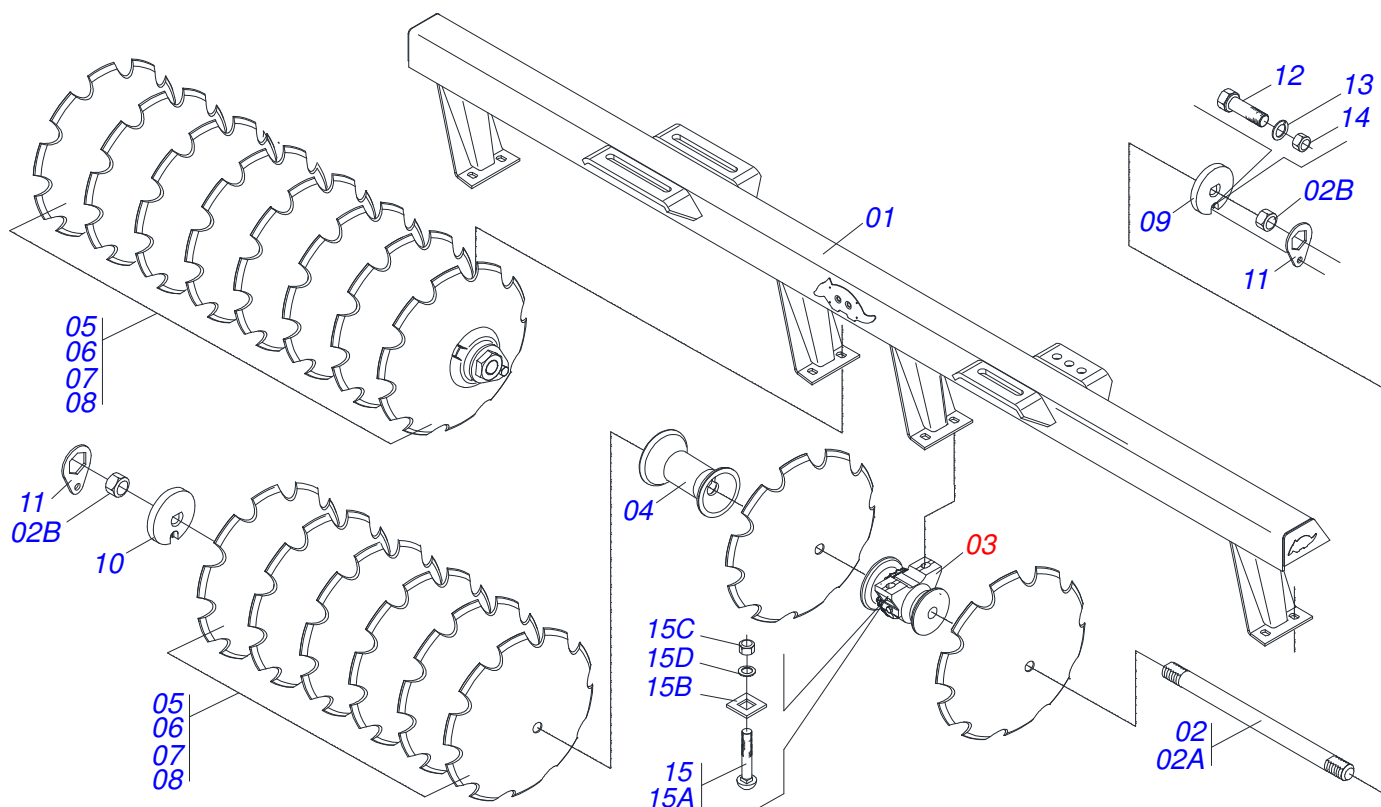
Item	Code	Description	QT
001	0511068558	FRONT FRAME	01
002	0501043835	1.1/2" X 1040 AXLE W/NUT	04
002A	0511010224	1.1/2" X 1040 AXLE	01
002B	0501010110	1.1/2" NUT	02
003	0511040344	BEARING ASSY	08
004	0502010621	8.8" 1-1/2" SPACER	08
005	0602033283	NOTCHED DISC BLADE	20
006	0602030237	24" X 4,75" NOTCHED DISC BLADE	20
007	0602029396	22X4,75 NOTCHED DISC BLADE	20
008	0602027355	20 X 3,5 NOTCHED DISC BLADE	20
009	0502010871	1-1/2" EXTERNAL AXLE WASHER	04
010	0502010872	1-1/2" INNER AXLE WASHER	04
011	0501018592	1.5/8" NUT LOCK	08
012	0503011267	5/8" X 1.1/2" BOLT	08
013	0503010027	SPRING WASHER	08
014	0503010013	5/8" NUT	08
015	0501048788	CONJUNTO PCS IMPL 5/8 UNC X 2.1/2 CA	16
015A	0501014177	5/8" X 2-1/2" BOLT	16
015B	0501010947	5/8 NUT LOCK	16
015C	0503010013	5/8" NUT	16
015D	0501012140	FLAT WASHER	16



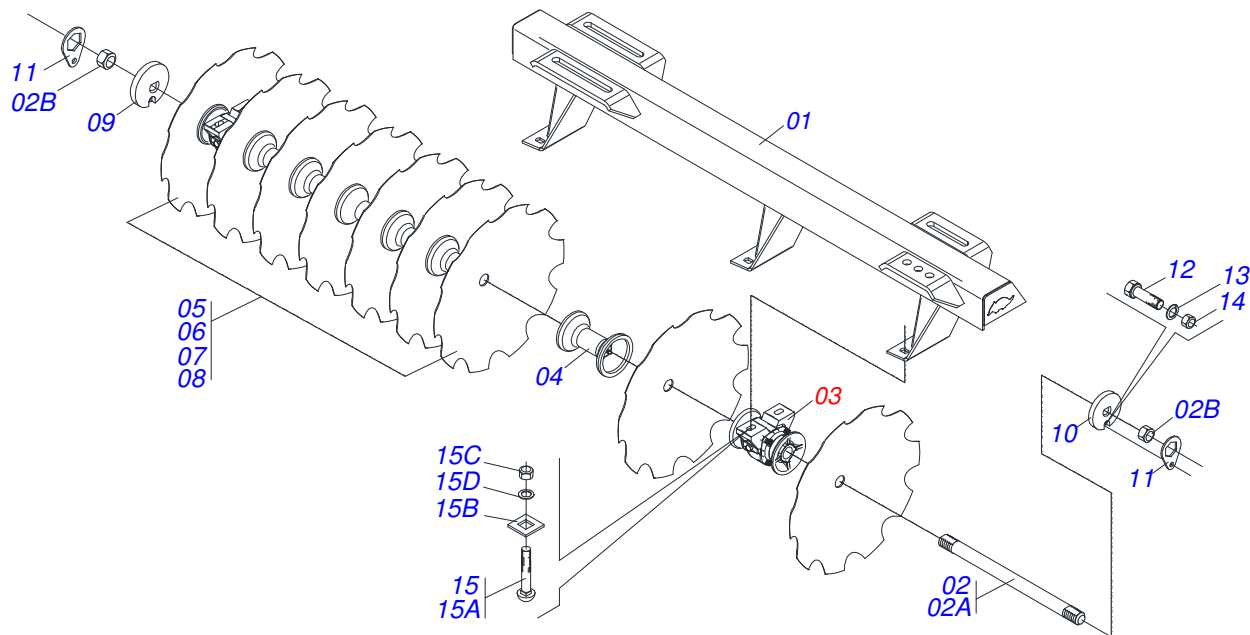
Item	Code	Description	QT
001	0511068560	FRONT FRAME	01
002	0501043689	1-1/2" X 1275 AXLE W/NUT	04
002A	0511012600	1-1/2" X 1275 AXLE	01
002B	0501010110	1.1/2" NUT	02
003	0511040344	BEARING ASSY	08
004	0502010621	8.8" 1-1/2" SPACER	12
005	0602033283	NOTCHED DISC BLADE	24
006	0602030237	24" X 4,75" NOTCHED DISC BLADE	24
007	0602029396	22X4,75 NOTCHED DISC BLADE	24
008	0602027355	20 X 3,5 NOTCHED DISC BLADE	24
009	0502010871	1-1/2" EXTERNAL AXLE WASHER	04
010	0502010872	1-1/2" INNER AXLE WASHER	04
011	0501018592	1.5/8" NUT LOCK	08
012	0503011267	5/8" X 1.1/2" BOLT	08
013	0503010027	SPRING WASHER	08
014	0503010013	5/8" NUT	08
015	0501048788	CONJUNTO PCS IMPL 5/8 UNC X 2.1/2 CA	16
015A	0501014177	5/8" X 2-1/2" BOLT	16
015B	0501010947	5/8 NUT LOCK	16
015C	0503010013	5/8" NUT	16
015D	0501012140	FLAT WASHER	16



Item	Code	Description	QT
001	0511068562	FRONT FRAME	01
002	0501043697	1.1/2" X 1505 AXLE ASSY	04
002A	0511012601	1.1/2" X 1505 AXLE	01
002B	0501010110	1.1/2" NUT	02
003	0511040344	BEARING ASSY	08
004	0502010621	8.8" 1-1/2" SPACER	16
005	0602033283	NOTCHED DISC BLADE	28
006	0602030237	24" X 4,75" NOTCHED DISC BLADE	28
007	0602029396	22X4,75 NOTCHED DISC BLADE	28
008	0602027355	20 X 3,5 NOTCHED DISC BLADE	28
009	0502010871	1-1/2" EXTERNAL AXLE WASHER	04
010	0502010872	1-1/2" INNER AXLE WASHER	04
011	0501018592	1.5/8" NUT LOCK	08
012	0503011267	5/8" X 1.1/2" BOLT	08
013	0503010027	SPRING WASHER	08
014	0503010013	5/8" NUT	08
015	0501048788	CONJUNTO PCS IMPL 5/8 UNC X 2.1/2 CA	16
015A	0501014177	5/8" X 2-1/2" BOLT	16
015B	0501010947	5/8 NUT LOCK	16
015C	0503010013	5/8" NUT	16
015D	0501012140	FLAT WASHER	01

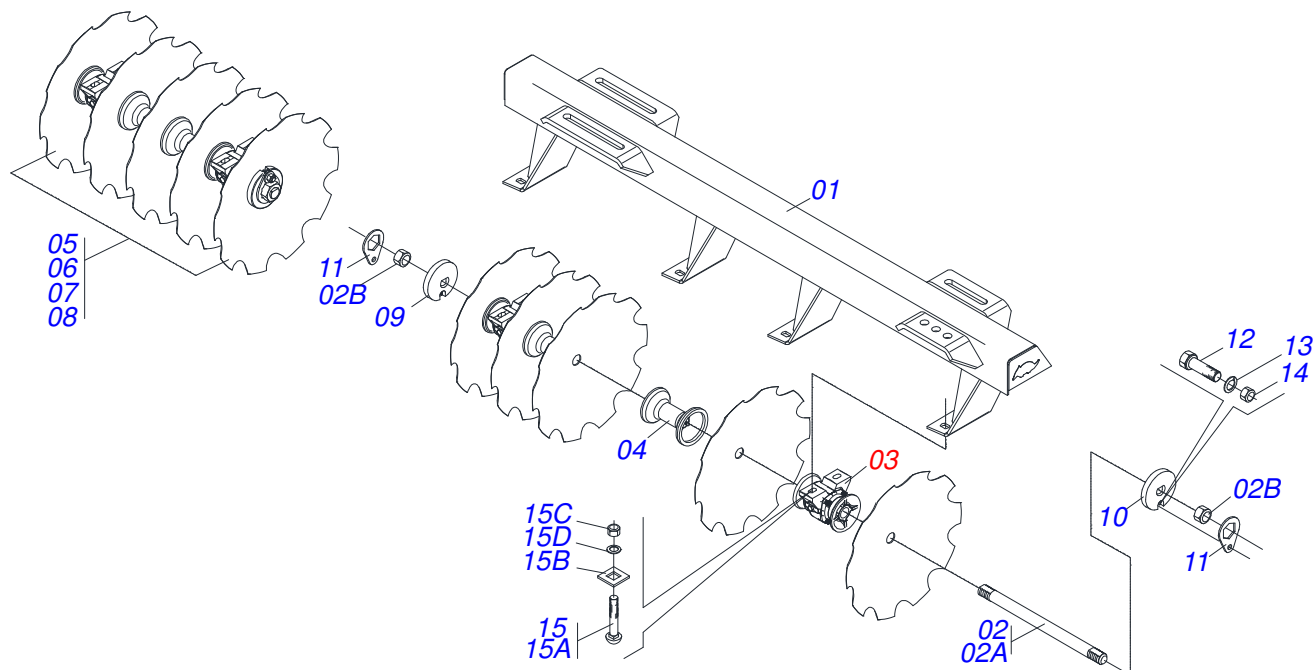


Item	Code	Description	QT
001	0511069066	CHÂSSIS AVANT	01
002	0501043837	1-1/2" X 68" AXLE WITH NUTS	04
002A	0511010225	1-1/2" X 68" AXLE	01
002B	0501010110	1.1/2" NUT	02
003	0511040344	BEARING ASSY	08
004	0502010621	8.8" 1-1/2" SPACER	20
005	0602033283	NOTCHED DISC BLADE	32
006	0602030237	24" X 4,75" NOTCHED DISC BLADE	32
007	0602029396	22X4,75 NOTCHED DISC BLADE	32
008	0602027355	20 X 3,5 NOTCHED DISC BLADE	32
009	0502010871	1-1/2" EXTERNAL AXLE WASHER	04
010	0502010872	1-1/2" INNER AXLE WASHER	04
011	0501018592	1.5/8" NUT LOCK	08
012	0503011267	5/8" X 1.1/2" BOLT	08
013	0503010027	SPRING WASHER	08
014	0503010013	5/8" NUT	08
015	0501048788	CONJUNTO PCS IMPL 5/8 UNC X 2.1/2 CA	16
015A	0501014177	5/8" X 2-1/2" BOLT	16
015B	0501010947	5/8 NUT LOCK	16
015C	0503010013	5/8" NUT	16
015D	0501012140	FLAT WASHER	16

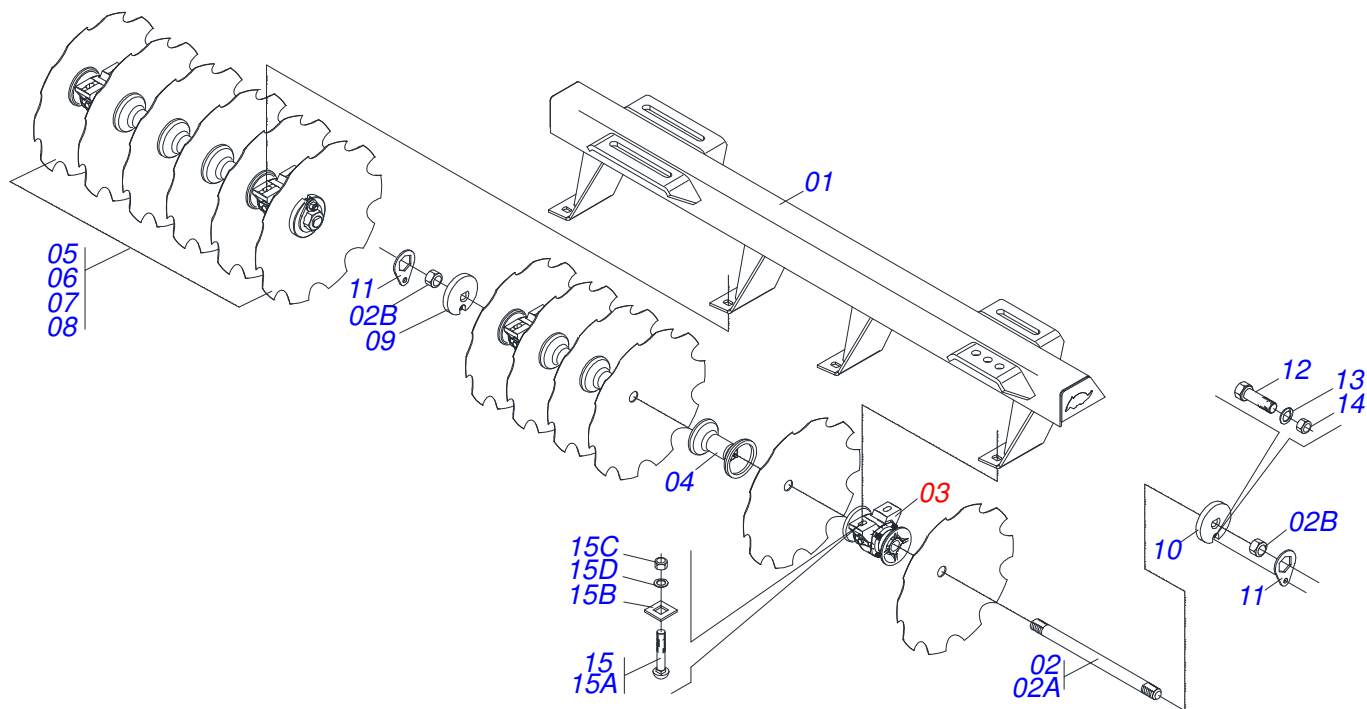


Item	Code	Description	QT
01	0511068556	REAR FRAME	01
02	0501043756	1-1/2" X 77" AXLE WITH NUTS	01
02A	0511010230	1-1/2" X 77" AXLE	01
02B	0501010110	1.1/2" NUT	02
03	0511040344	BEARING ASSY	03
04	0502010621	8.8" 1-1/2" SPACER	05
05	0602033283	NOTCHED DISC BLADE	09
06	0602030237	24" X 4,75" NOTCHED DISC BLADE	09
07	0602029396	22X4,75 NOTCHED DISC BLADE	09
08	0602027355	20 X 3,5 NOTCHED DISC BLADE	09
09	0502010871	1-1/2" EXTERNAL AXLE WASHER	01
10	0502010872	1-1/2" INNER AXLE WASHER	01
11	0501018592	1.5/8" NUT LOCK	02
12	0503011267	5/8" X 1.1/2" BOLT	02
13	0503010027	SPRING WASHER	02
14	0503010013	5/8" NUT	02
15	0501048788	CONJUNTO PCS IMPL 5/8 UNC X 2.1/2 CA	06
15A	0501014177	5/8" X 2-1/2" BOLT	06
15B	0501010947	5/8 NUT LOCK	06
15C	0503010013	5/8" NUT	06
15D	0501012140	FLAT WASHER	06

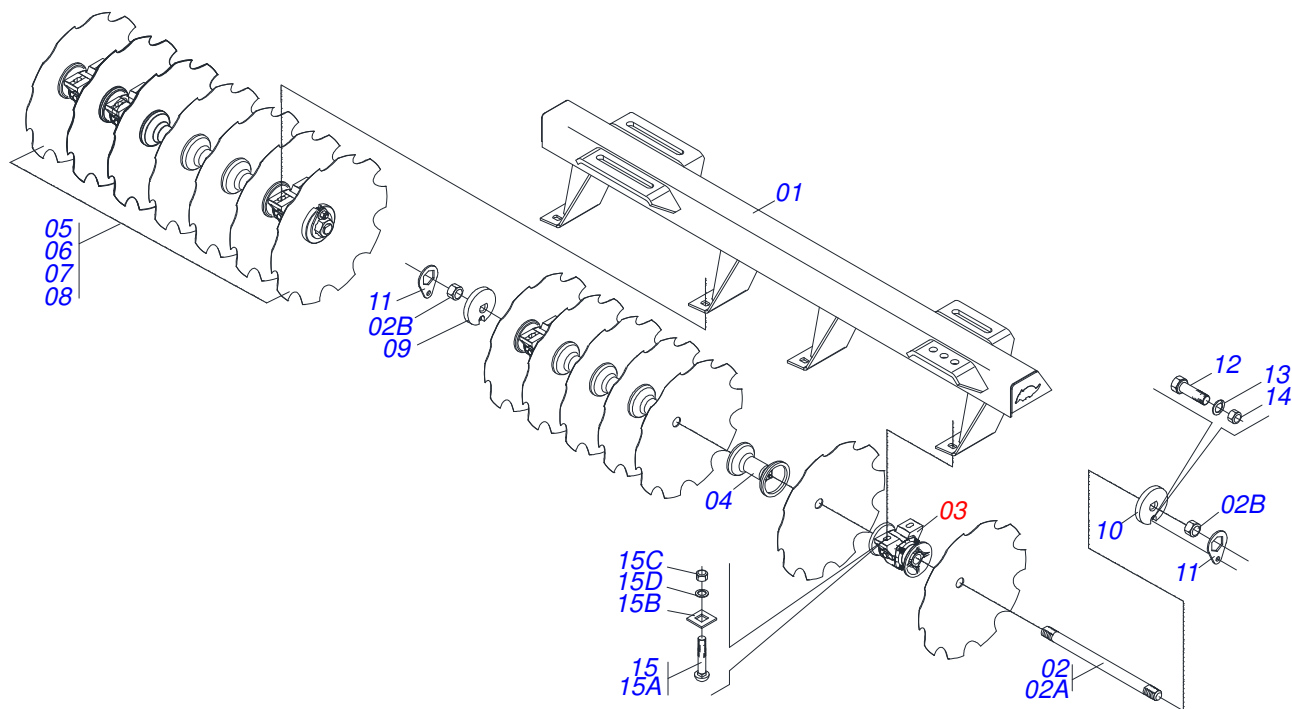




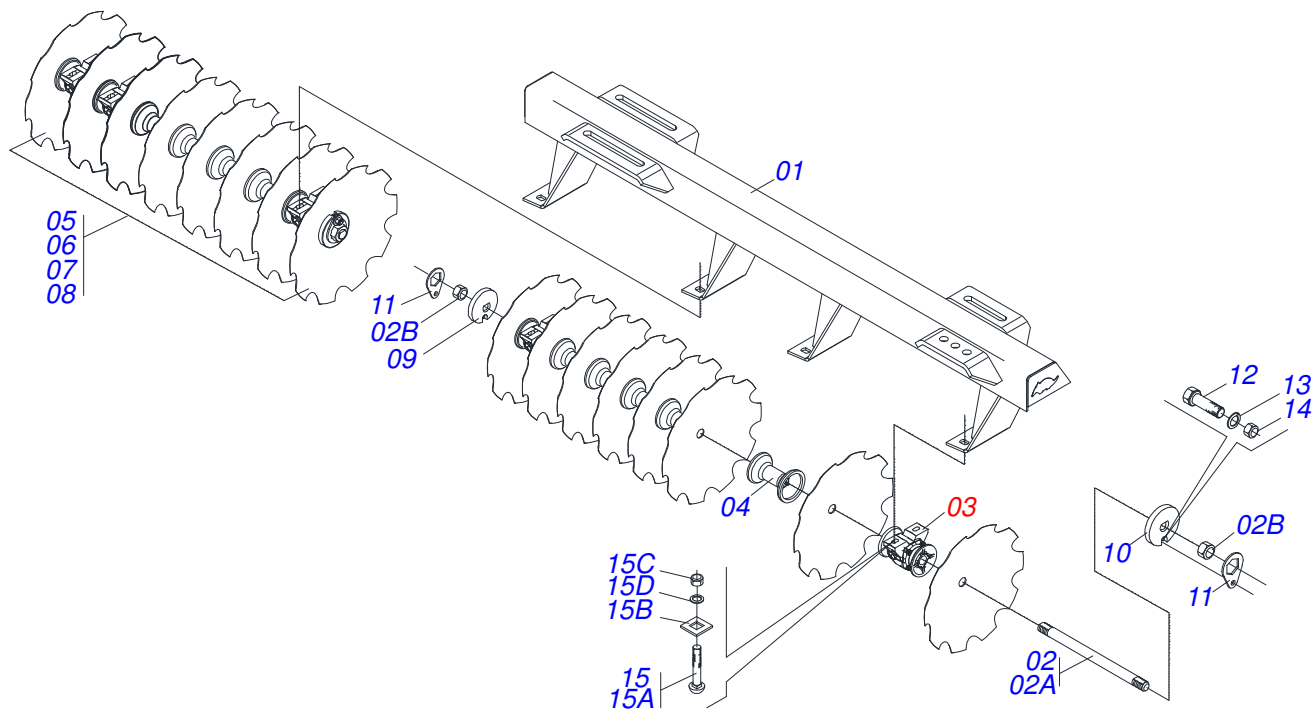
Item	Code	Description	QT
01	0511068559	REAR FRAME	01
02	0501043835	1.1/2" X 1040 AXLE W/NUT	04
02A	0511010224	1.1/2" X 1040 AXLE	01
02B	0501010110	1.1/2" NUT	02
03	0511040344	BEARING ASSY	04
04	0502010621	8.8" 1-1/2" SPACER	04
05	0602033283	NOTCHED DISC BLADE	10
06	0602030237	24" X 4,75" NOTCHED DISC BLADE	10
07	0602029396	22X4,75 NOTCHED DISC BLADE	10
08	0602027355	20 X 3,5 NOTCHED DISC BLADE	10
09	0502010871	1-1/2" EXTERNAL AXLE WASHER	02
10	0502010872	1-1/2" INNER AXLE WASHER	02
11	0501018592	1.5/8" NUT LOCK	04
12	0503011267	5/8" X 1.1/2" BOLT	04
13	0503010027	SPRING WASHER	04
14	0503010013	5/8" NUT	04
15	0501048788	CONJUNTO PCS IMPL 5/8 UNC X 2.1/2 CA	05
15A	0501014177	5/8" X 2-1/2" BOLT	01
15B	0501010947	5/8 NUT LOCK	01
15C	0503010013	5/8" NUT	02
15D	0501012140	FLAT WASHER	01



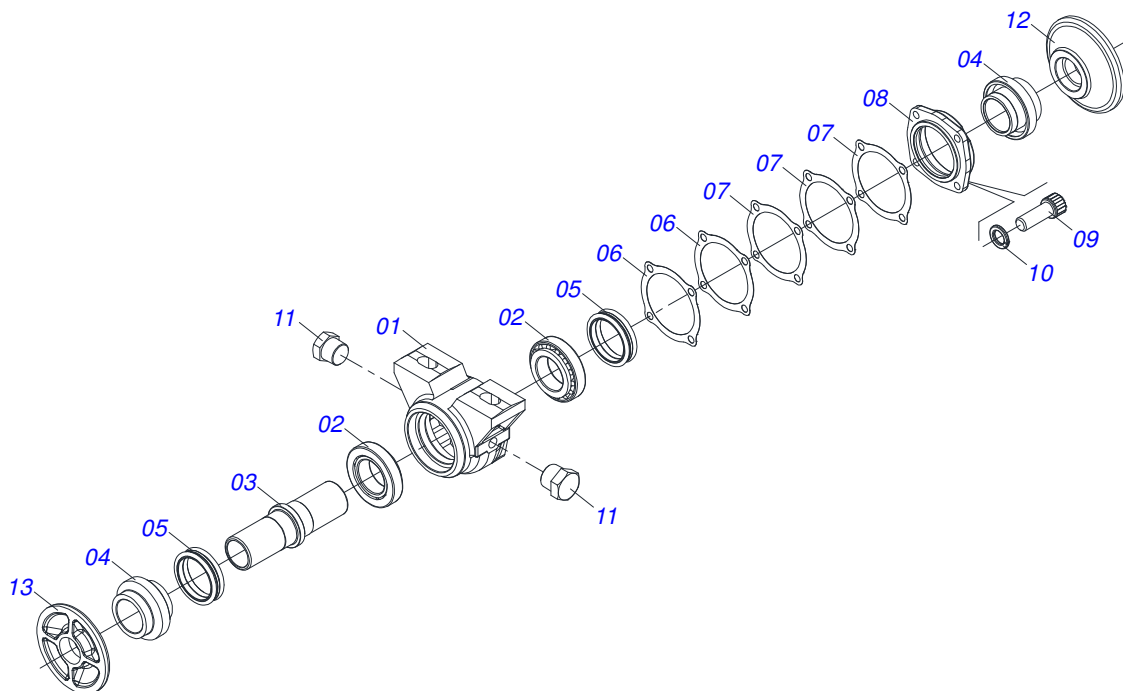
Item	Code	Description	QT
01	0511068561	REAR FRAME	01
02	0501043689	1-1/2" X 1275 AXLE W/NUT	02
02A	0511012600	1-1/2" X 1275 AXLE	01
02B	0501010110	1.1/2" NUT	02
03	0511040344	BEARING ASSY	04
04	0502010621	8.8" 1-1/2" SPACER	04
05	0602033283	NOTCHED DISC BLADE	12
06	0602030237	24" X 4,75" NOTCHED DISC BLADE	12
07	0602029396	22X4,75 NOTCHED DISC BLADE	12
08	0602027355	20 X 3,5 NOTCHED DISC BLADE	12
09	0502010871	1-1/2" EXTERNAL AXLE WASHER	02
10	0502010872	1-1/2" INNER AXLE WASHER	02
11	0501018592	1.5/8" NUT LOCK	04
12	0503011267	5/8" X 1.1/2" BOLT	04
13	0503010027	SPRING WASHER	04
14	0503010013	5/8" NUT	04
15	0501048788	CONJUNTO PCS IMPL 5/8 UNC X 2.1/2 CA	06
15A	0501014177	5/8" X 2-1/2" BOLT	06
15B	0501010947	5/8 NUT LOCK	06
15C	0503010013	5/8" NUT	06
15D	0501012140	FLAT WASHER	06



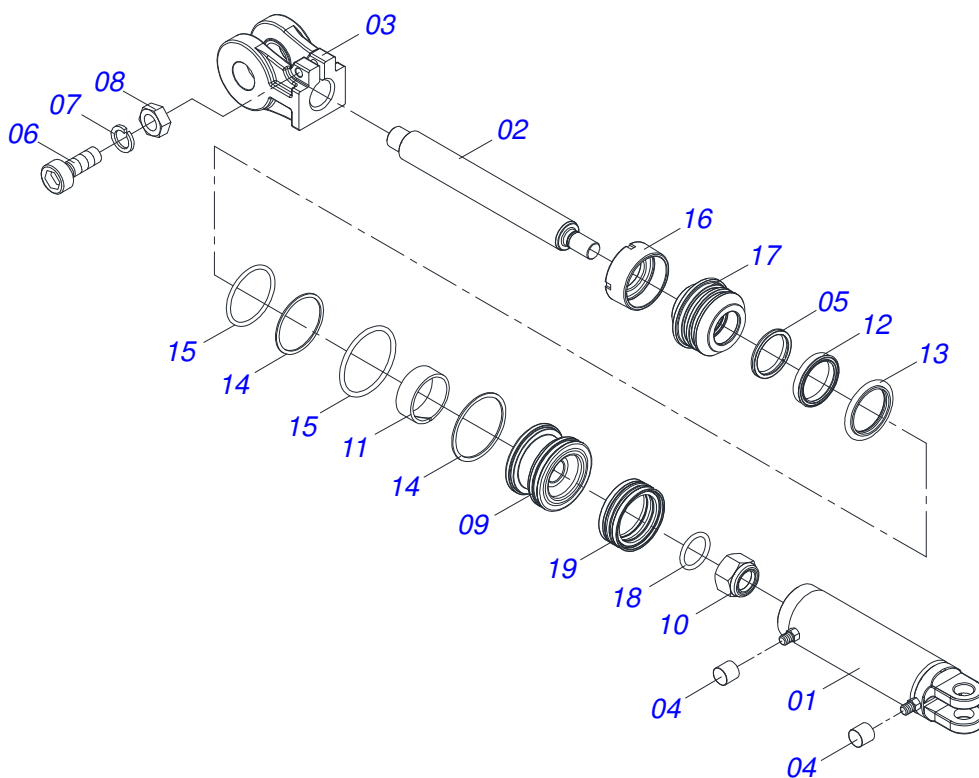
Item	Code	Description	QT
01	0511068563	REAR FRAME	01
02	0501043697	1.1/2" X 1505 AXLE ASSY	02
02A	0511012601	1.1/2" X 1505 AXLE	01
02B	0501010110	1.1/2" NUT	02
03	0511040344	BEARING ASSY	04
04	0502010621	8.8" 1-1/2" SPACER	04
05	0602033283	NOTCHED DISC BLADE	14
06	0602030237	24" X 4,75" NOTCHED DISC BLADE	14
07	0602029396	22X4,75 NOTCHED DISC BLADE	14
08	0602027355	20 X 3,5 NOTCHED DISC BLADE	14
09	0502010871	1-1/2" EXTERNAL AXLE WASHER	02
10	0502010872	1-1/2" INNER AXLE WASHER	02
11	0501018592	1.5/8" NUT LOCK	04
12	0503011267	5/8" X 1.1/2" BOLT	04
13	0503010027	SPRING WASHER	04
14	0503010013	5/8" NUT	04
15	0501048788	CONJUNTO PCS IMPL 5/8 UNC X 2.1/2 CA	06
15A	0501014177	5/8" X 2-1/2" BOLT	06
15B	0501010947	5/8 NUT LOCK	06
15C	0503010013	5/8" NUT	06
15D	0501012140	FLAT WASHER	06



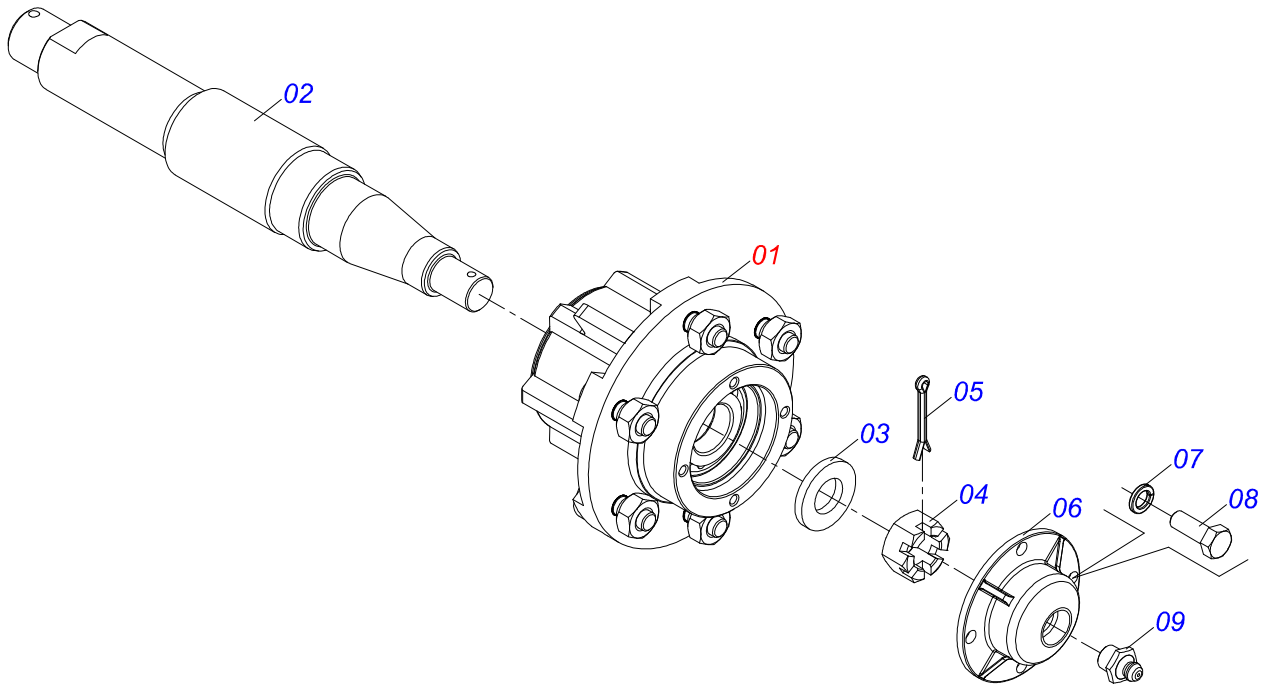
Item	Code	Description	QT
01	0511069067	REAR FRAME	01
02	0501043837	1-1/2" X 68" AXLE WITH NUTS	02
02A	0511010225	1-1/2" X 68" AXLE	02
02B	0501010110	1.1/2" NUT	02
03	0511040344	BEARING ASSY	04
04	0502010621	8.8" 1-1/2" SPACER	04
05	0602033283	NOTCHED DISC BLADE	16
06	0602030237	24" X 4,75" NOTCHED DISC BLADE	16
07	0602029396	22X4,75 NOTCHED DISC BLADE	16
08	0602027355	20 X 3,5 NOTCHED DISC BLADE	16
09	0502010871	1-1/2" EXTERNAL AXLE WASHER	02
10	0502010872	1-1/2" INNER AXLE WASHER	02
11	0501018592	1.5/8" NUT LOCK	04
12	0503011267	5/8" X 1.1/2" BOLT	04
13	0503010027	SPRING WASHER	04
14	0503010013	5/8" NUT	04
15	0501048788	CONJUNTO PCS IMPL 5/8 UNC X 2.1/2 CA	06
15A	0501014177	5/8" X 2-1/2" BOLT	06
15B	0501010947	5/8 NUT LOCK	06
15C	0503010013	5/8" NUT	06
15D	0501012140	FLAT WASHER	06



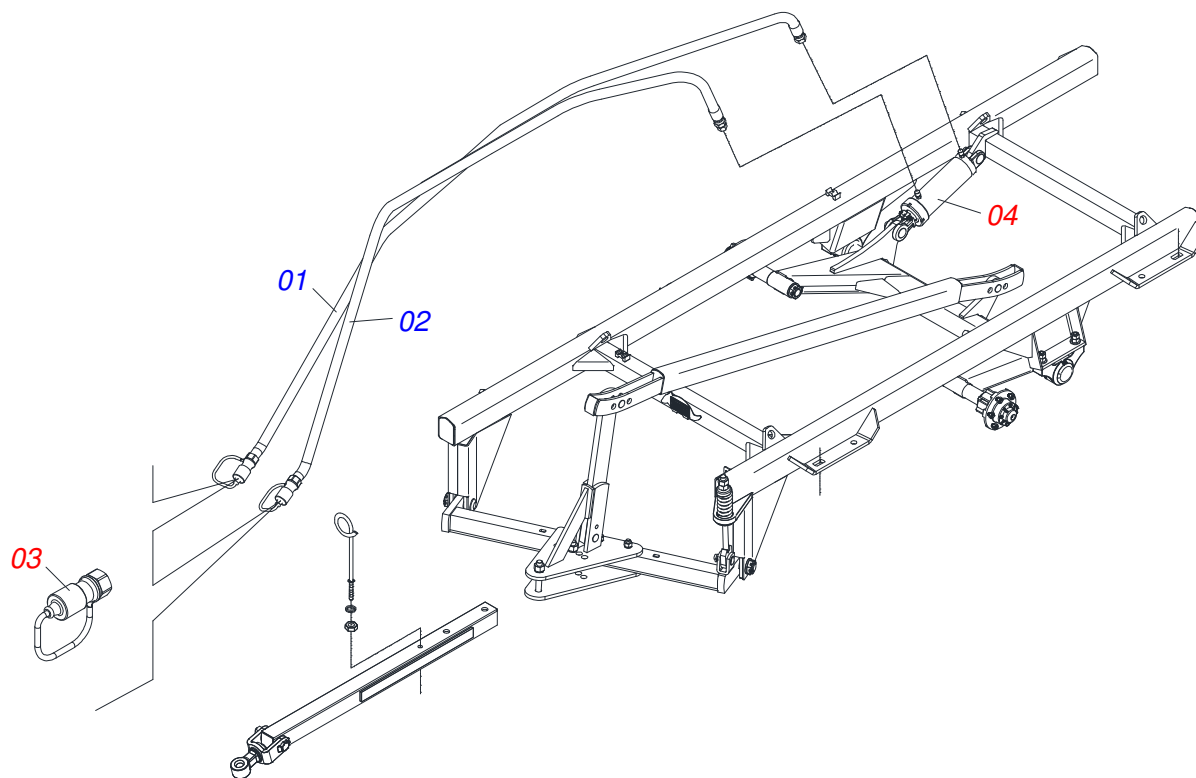
Item	Code	Description	QT
01	0502020683	CX DM	01
02	0503010113	30212 ROLLER BEARING	02
03	0502010639	AXLE FOR CM/DM	01
04	0502010633	SEAL RETAINER	02
05	0503030027	DUO-CONE SEAL	02
06	0503031973	137 X 113,2 X 0,1 JOINT	02
07	0503031972	137 X 113,2 X 0,3 JOINT	03
08	0502012445	BEARING COVER BOX (BOX SLIGHTLY)	01
09	0503810237	3/8 UNC X 1 C S G.5 SA BOLT	06
10	0503011443	SPRING WASHER	06
11	0503010856	OIL PLUG	02
12	0502012017	BEARING OUTER FLANGE	01
13	0502012006	BEARING INNER FLANGE	01



Item	Code	Description	QT
001	0511070658	CYLINDER CASE	01
002	0571019958	HYDRAULIC CYLINDER TURNBUCKLE	01
003	0502040747	FORK	01
004	0503030385	PLUG	02
005	0503010039	D-2000 SCRAPER RING	01
006	0503011094	3/8" X 2" BOLT C C S I 12.9	01
007	0503011443	SPRING WASHER	01
008	0503010026	3/8" NUT	01
009	0502012820	50,80 X 101,60 PISTON	01
010	0503010817	1-1/4" SELF-ADJUSTING NUT	01
011	0503018025	RING GUIDE	01
012	0503018026	1870-2000-375 B GASKET	01
013	0503018024	RING BS	01
014	0503010338	2-342 N 3006-9B O-RING	02
015	0503011061	8-342 BACK-UP RING	02
016	0502012822	101,60 MOBILE COVER	01
017	0502012821	50,80 X 101,60 RING SUPPORT	01
018	0503018029	2-217 O-RING	01
019	0503015633	SELEMASTER SEALING	01

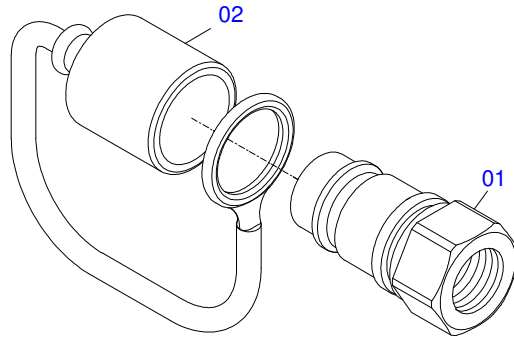


Item	Code	Description	QT
01	0501051142	CARRYING WHEEL HUB	01
02	0521010821	2.5" X 16.5" AXLE	01
03	0501016545	FLAT WASHER	01
04	0503030009	1" CASTLE NUT	01
05	0503010018	5/32 X 1-1/2 COTTERPIN	01
06	0502020591	PROTECCION COVER	01
07	0503011444	SPRING WASHER	04
08	0503010358	5/16" X 5/8" BOLT	04
09	0503010002	1800 GREASE FITTING	01



Item	Code	Description	QT
001	0501080443	3/8" X 236" TR-TM HOSE	01
002	0501080421	3/8" X 230" TR-TM HOSE ASS	01
003	0501053834	QUICK CONECTION (MALE) 1/2	02
004	0511059180	HYDRAULIC CYLINDER	01





Item	Code	Description	QT
01	0503011627	QUICK CONNECTION (MALE) AGR 1/2 NPT	01
02	0503011882	QUICK CONNECTION COVER	01





**MARCHESAN IMPLEMENTOS E MÁQUINAS AGRÍCOLAS TATU S.A.**

AV. Marchesan, 1979 - Post office box, 131 - CEP 15994-900 - Matão - SP - Brazil

Phone +55 16.3382-8282

(FAX Parts) + 55 16.3382. 8297 - (Export) + 55 16.3382.1003

e.mail: [tatu@marchesan.com.br](mailto:tatu@marchesan.com.br) [www.marchesan.com.br](http://www.marchesan.com.br)

**Technical Publications: Elaboration**

LUIZ CANDIDO

**Technical Publications: Revision**

LUIZ CANDIDO

*Contact Catálogo:*

*E-mail = [jgaspari@marchesan.com.br](mailto:jgaspari@marchesan.com.br)*

**ORIGINAL PARTS  
TATU**

