

**HINGE TYPE OFFSET DISK HARROW**

**GNDP 60D**

**Code:** 0501092099  
**Series:** S-0216  
**Revision:** 00  
**Date Revision:** JUNHO/2017

# PARTS CATALOGUE



**MARCHESAN**



# PRODUCTS

Code	Description
0102530011	GNDP 60 X 22 X 4,5 MT PN400/60 S-0216

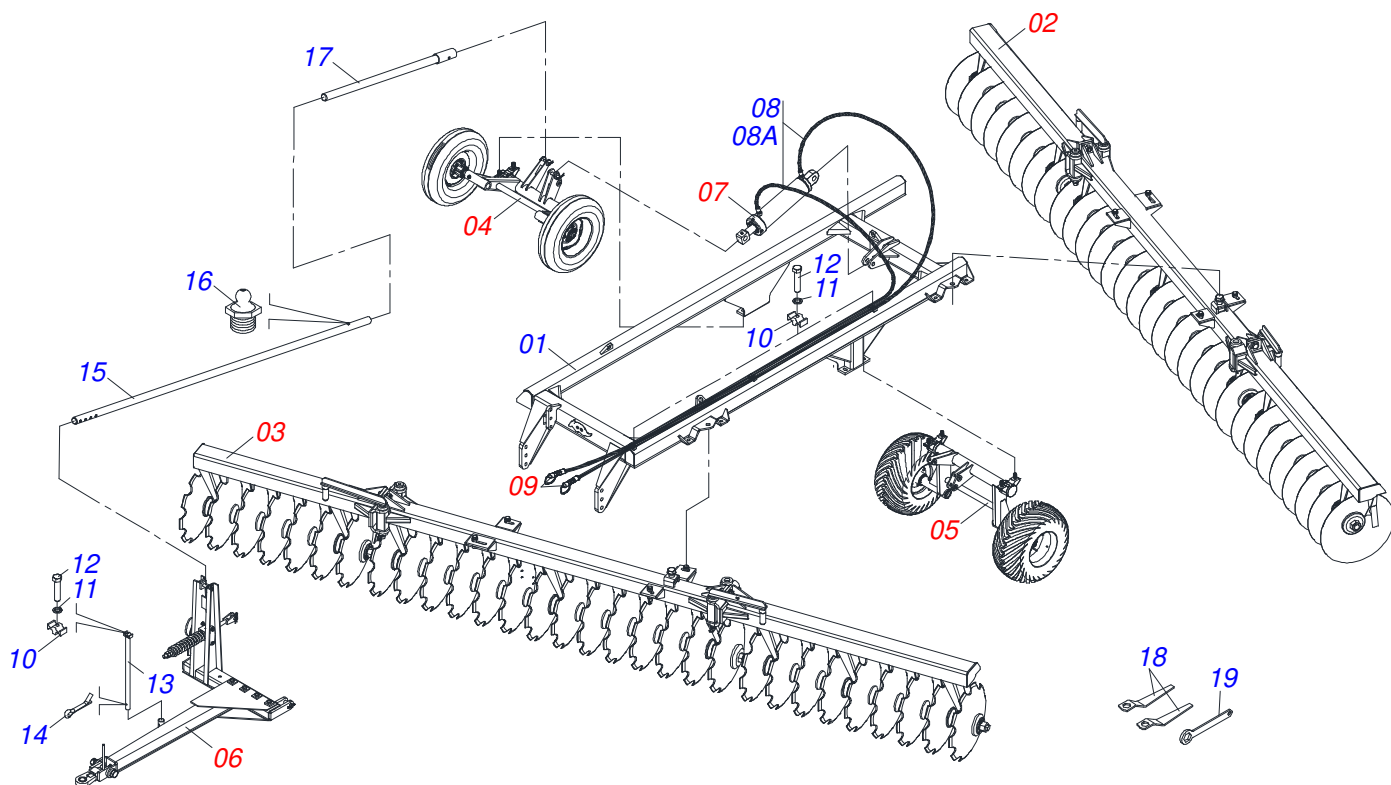
## ATTENTION: IMPORTANT

Marchesan S.A. reserves the right to improve and/or modify the technical features of its products, without obligation to do the same with those products already sold and without prior knowledge of the dealer or the consumer. The photos are only illustrative.

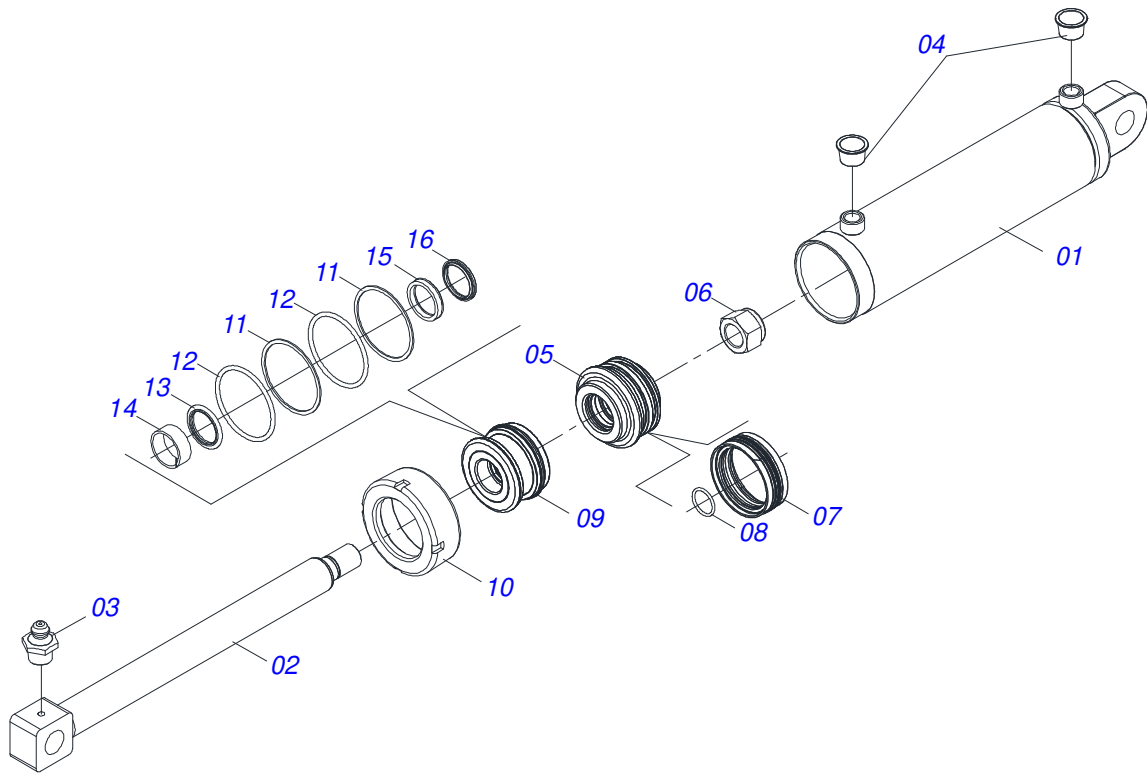


# INDEX

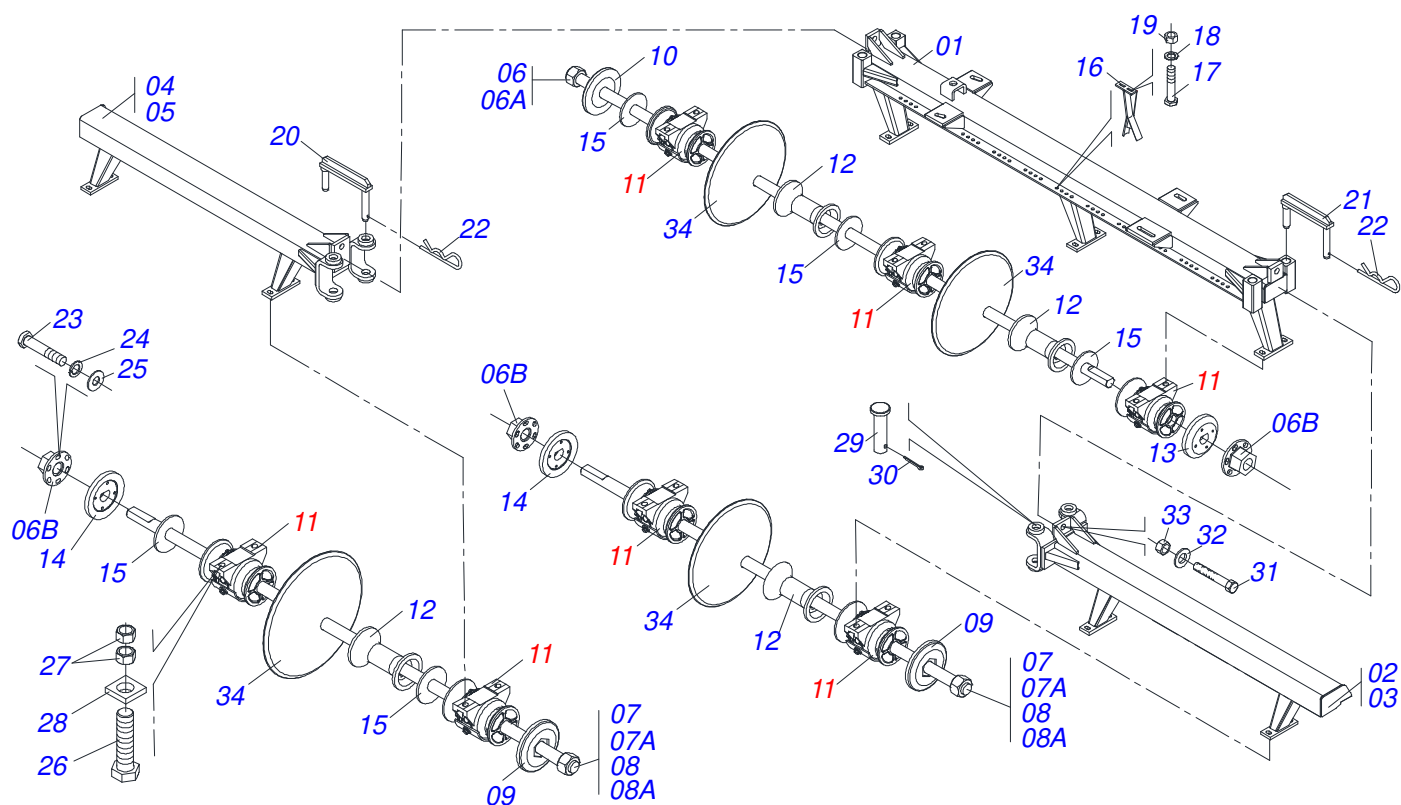
0909092653	FRAME ASSY	.....	1
0511058408	HYDRAULIC CYLINDER	.....	2
0909092655	FRAME REAR COMPLETE	.....	3
0909092656	FRAME COMPLETE FRONT	.....	4
0511040472	AGRICULTURAL BEARING	.....	5
0909092657	CARRYNG-WHEELS ASSY	.....	6
0501054501	WHEEL HUB	.....	7
0909092658	CARRYNG-WHEELS ASSY	.....	8
0501055850	CARRYNG WHEEL HUB ASSEMBLY SET	.....	9
0909092659	AXLE ASSY	.....	10



Item	Code	Description	See page	QT
01	0521064007	FRAME		01
02	0909092655	FRAME REAR COMPLETE	3	01
03	0909092656	FRAME COMPLETE FRONT	4	01
04	0909092657	CARRYNG-WHEELS ASSY	6	01
05	0909092658	CARRYNG-WHEELS ASSY	8	01
06	0909092659	AXLE ASSY	10	01
07	0511058408	HYDRAULIC CYLINDER	2	01
08	0501053218	HOSE ASSY		01
08A	0501080803	TM-TM HOSE ASSY		02
09	0501053834	MALE QUICK COUPLER		02
10	0502012702	BODY SUPPORT CLAMP		04
11	0503010180	7/16" SPRING WASHER		04
12	0503012555	SCREW 7/16 UNC X 2 CS RT G.7 ZN		04
13	0511060205	SUPPORT HOSE CNS 20104N		01
14	0503012215	5/16" X 2-1/2" COTTERPIN		01
15	0511060973	STABILIZER BAR		01
16	0503010002	1800 GREASE FITTING		01
17	0511060257	EXTENSION		01
18	0501011432	1-1/2" AND 1-5/8 GANG BOLT WRENCH		02
19	0521013789	20146 KEY ADJUSTMENT SNC		01



Item	Code	Description	See page	QT
001	0511062246	CYLINDER CASE		01
002	0511062247	TURNBUCKLE		01
003	0503010002	1800 GREASE FITTING		01
004	0503030384	CON PLUG N-001		02
005	0581010837	PISTON		01
006	0503010817	1.1/4" SELF LOCKING NUT		01
007	0503015633	SELEMASTER SEALING		01
008	0503018029	2-217 O'RING		01
009	0581010302	RING OF SUPPORT		01
010	0502012822	101.60 END CAP		01
011	0503011061	8-342 BACK-UP RING		02
012	0503010338	2-342 N 3006-9B O'RING		02
013	0503017936	RING		01
014	0503017938	RING GUIDE		01
015	0503017937	GASKET		01
016	0503010761	D-1750 SCRAPER RING		01



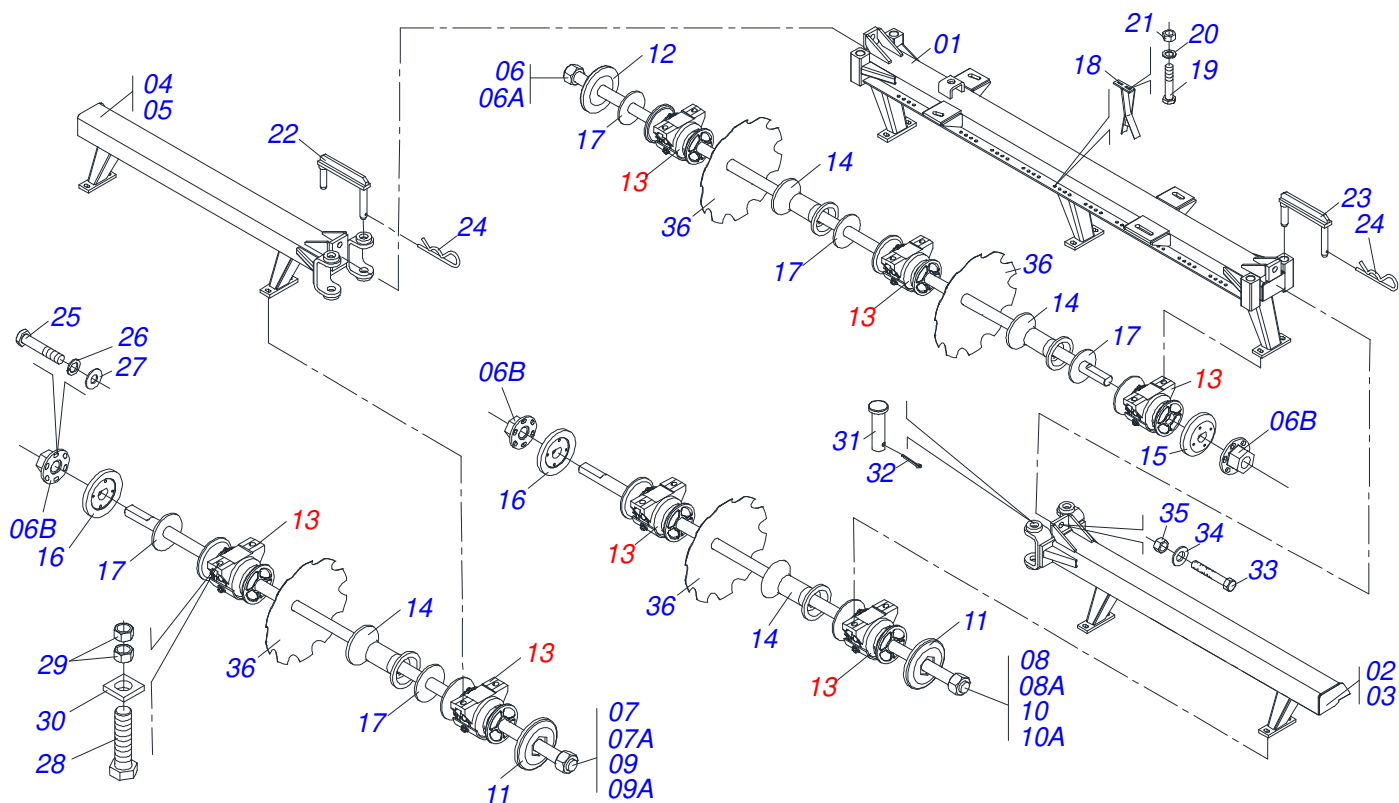
Item	Code	Description	See page	56 60
01	0511060969	CENTRAL FRAME REAR		01 01
02	0511061006	LEFT REAR FRAME		01 00
03	0511060997	LEFT REAR FRAME		00 01
04	0511060996	RIGHT REAR FRAME		01 00
05	0511061016	RIGHT REAR FRAME		00 01
06	0511050305	AXLE DISC WITH NUTS		01 01
06A	0511060807	AXLE DISC		01 01
06B	0502011593	7" AXLE NUT		03 03
07	0511050279	AXLE DISC WITH NUTS		02 00
07A	0511060778	AXLE DISC		02 00
08	0511050278	AXLE DISC WITH NUTS		00 02
08A	0511060796	AXLE DISC		00 02
09	0502011609	OUTER FLANGE		02 02
10	0502011608	INNER FLANGE		01 01
11	0511040472	AGRICULTURAL BEARING	5	07 07
12	0502011594	SPACER		18 20
13	0502011606	INNER FLANGE		01 01
14	0502011607	OUTER FLANGE		02 02
15	0521013879	GNC 57900 CHOCK		10 10
16	0511060204	CLEANER - OPTIONAL		42 44
17	0501010243	1/2" X 1-1/2" BOLT		84 88
18	0503010019	1/2" SPRING WASHER		84 88
19	0503010020	1/2"NUT		84 88
20	0511060975	LOCK PIN RIGHT REAR		01 01
21	0511060976	LOCK PIN LEFT REAR		01 01
22	0503031479	STAPLE		02 02
23	0503010237	3/8" X 1" BOLT		06 06
24	0503010025	3/8" SPRING WASHER		06 06
25	0501013518	FLAT WASHER		06 06
26	0503012246	5/8" X 2-3/4" BOLT		14 15
27	0503010129	5/8" NUT		28 30



**GNDP 60D**  
**FRAME REAR COMPLETE**

Page 3  
0909092655

Item	Code	Description	See page	56 60
28	0521013775	FLAT WASHER		14 15
29	0511060935	PIN WITH HEAD		02 02
30	0503010010	1/4" X 2.1/2" COTTERPIN		02 02
31	0501010276	BOLT		02 02
32	0501010065	1" SPRING WASHER		02 02
33	0503012182	1" NUT		02 02
34	0601029406	22" X 4,5 PLAIN DISC BLADE		28 30



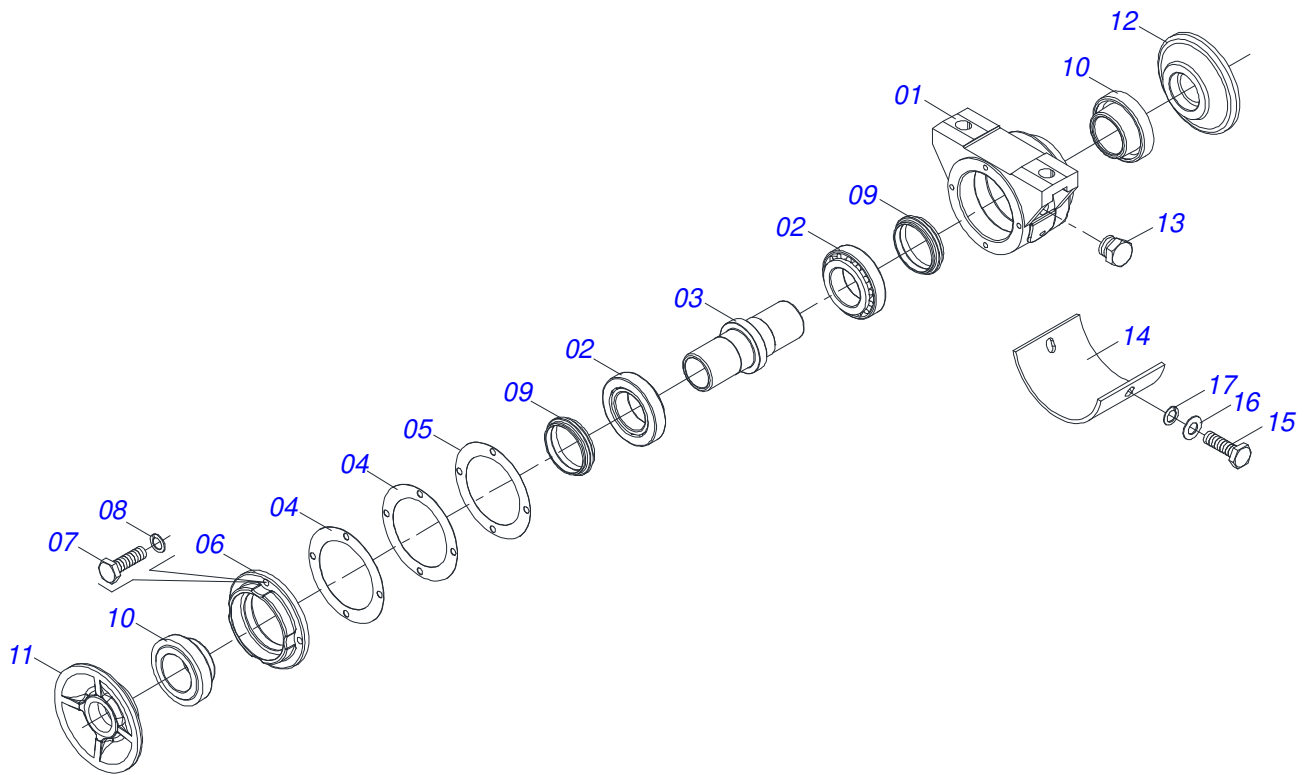
Item	Code	Description	See page	56 60
01	0511060970	CENTRAL FRAME FRONT		01 01
02	0511061008	LEFT FRONT FRAME		01 00
03	0511061017	LEFT FRONT FRAME		00 01
04	0511061007	RH FRONT FRAME		01 00
05	0511061018	RH FRONT FRAME		00 01
06	0511050305	AXLE DISC WITH NUTS		01 01
06A	0511060807	AXLE DISC		01 01
06B	0502011593	7" AXLE NUT		03 03
07	0511050278	AXLE DISC WITH NUTS		01 00
07A	0511060796	AXLE DISC		01 00
08	0511050277	AXLE DISC WITH NUTS		00 01
08A	0511060795	AXLE DISC		00 01
09	0511050919	AXLE DISC WITH NUTS		01 00
09A	0511060794	AXLE DISC		01 00
10	0511050279	AXLE DISC WITH NUTS		00 01
10A	0511060778	AXLE DISC		00 01
11	0502011609	OUTER FLANGE		02 02
12	0502011608	INNER FLANGE		01 01
13	0511040472	AGRICULTURAL BEARING	5	07 07
14	0502011594	SPACER		18 20
15	0502011606	INNER FLANGE		01 01
16	0502011607	OUTER FLANGE		02 02
17	0521013879	GNC 57900 CHOCK		10 10
18	0511060204	CLEANER - OPTIONAL		22 24
19	0501010243	1/2" X 1-1/2" BOLT		44 48
20	0503010019	1/2" SPRING WASHER		44 48
21	0503010020	1/2"NUT		44 48
22	0511060977	LOCK PIN LEFT FRONT		01 01
23	0511060978	LOCK PIN RIGHT FRONT		01 01
24	0503031479	STAPLE		02 02
25	0503010237	3/8" X 1" BOLT		06 06



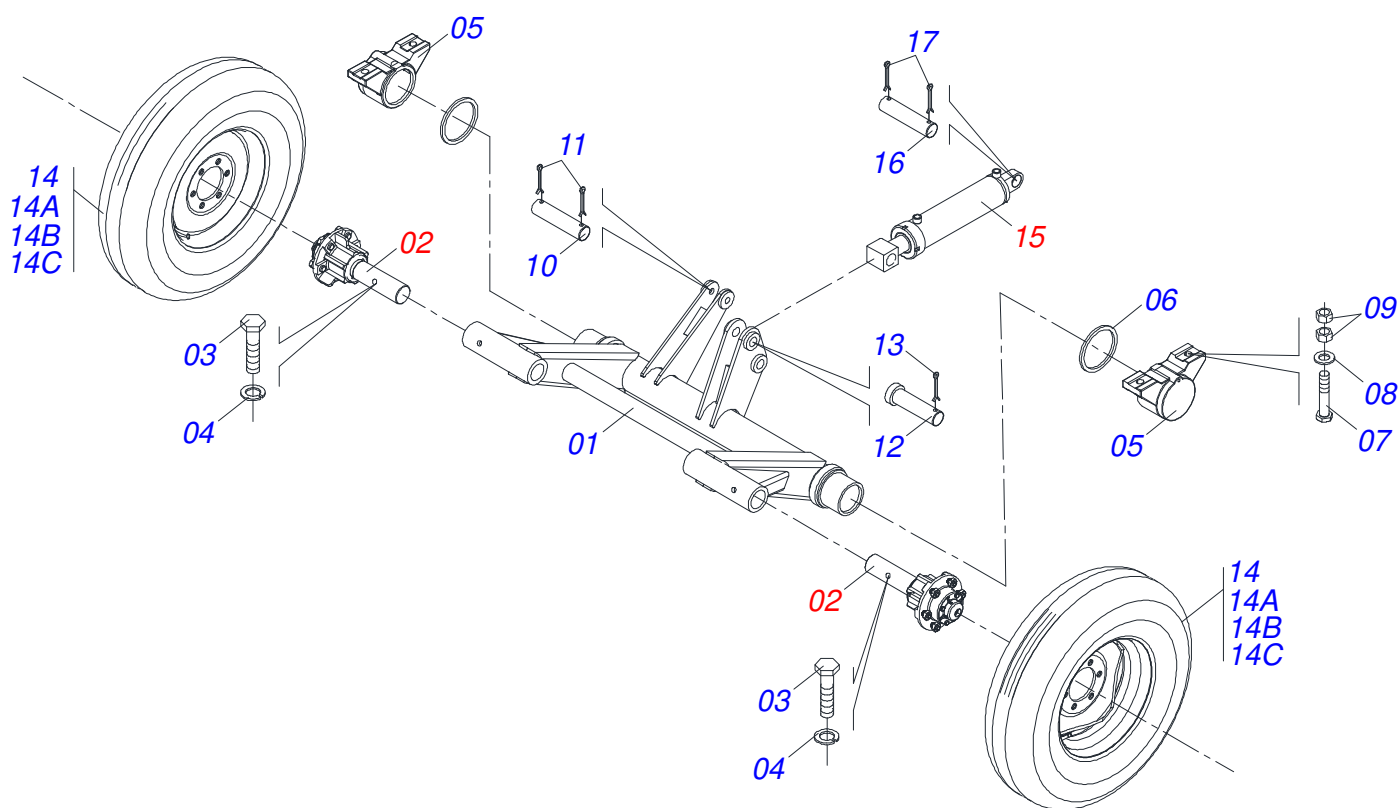


**GNDP 60D**  
**FRAME COMPLETE FRONT**

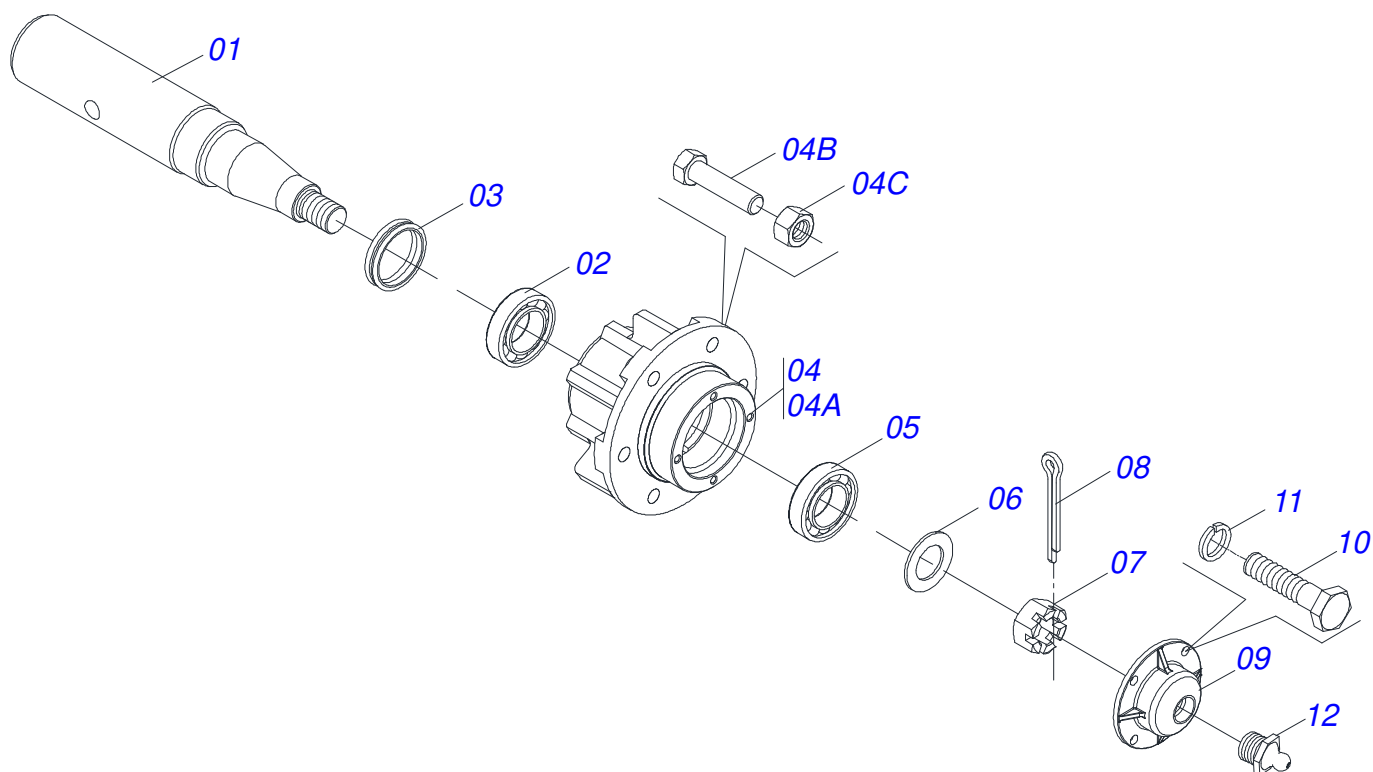
Item	Code	Description	See page	56 60
26	0503010025	3/8" SPRING WASHER		06 06
27	0501013518	FLAT WASHER		06 06
28	0503012246	5/8" X 2-3/4" BOLT		14 15
29	0503010129	5/8" NUT		28 30
30	0521013775	FLAT WASHER		14 15
31	0511060935	PIN WITH HEAD		02 02
32	0503010010	1/4" X 2.1/2" COTTERPIN		02 02
33	0501010276	BOLT		02 02
34	0501010065	1" SPRING WASHER		02 02
35	0503012182	1" NUT		02 02
36	0602029409	22" X 4,5 NOTCHED DISC BLADE		28 30



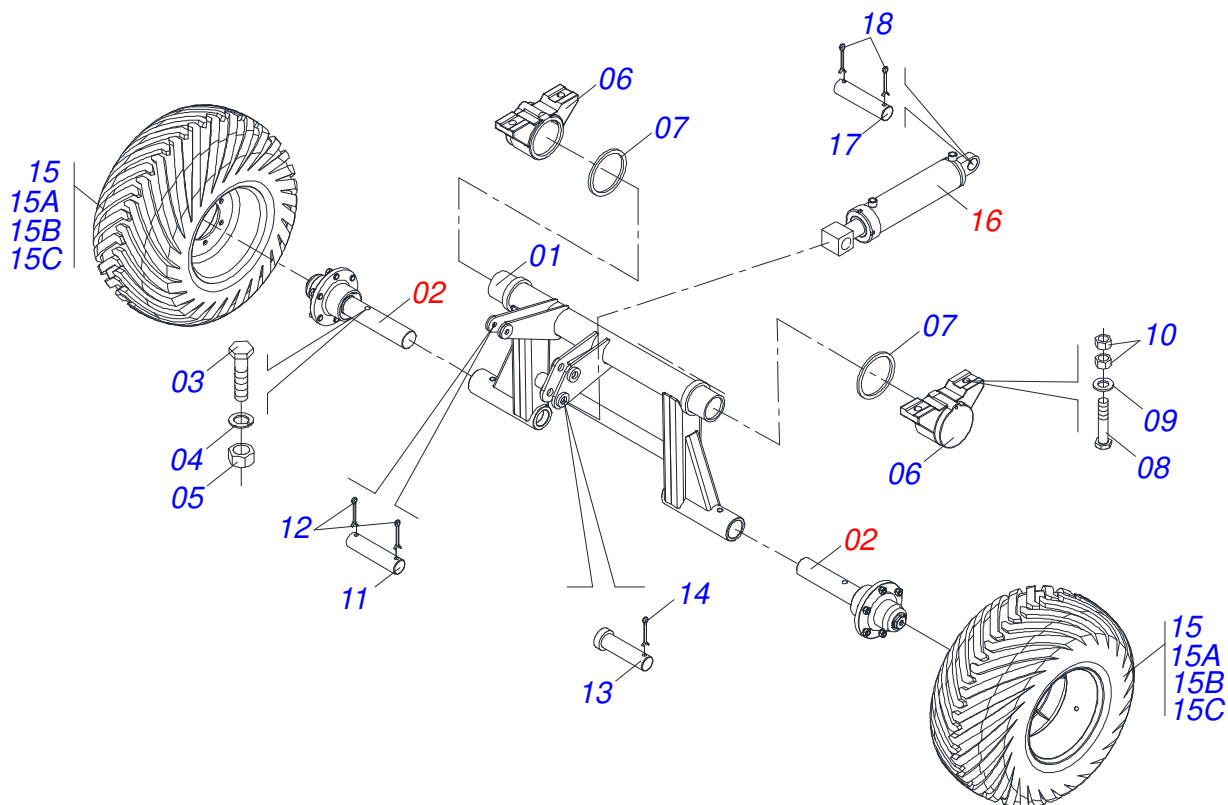
Item	Code	Description	See page	QT
01	0502012014	BODY BEARING		01
02	0503010006	32210 ROLLER BEARING		02
03	0502040514	157,50 / 157,35 AXLE		01
04	0503031730	JOINT SEALING		02
05	0503031729	JOINT SEALING		01
06	0502012015	BEARING COVER		01
07	0503010371	5/16" X 1" BOLT		04
08	0503011444	SPRING WASHER		04
09	0503030026	SEAL LP JB-253		02
10	0502010541	SEAL RETAINER		02
11	0502010604	OUTER FLANGE		01
12	0502010605	INNER FLANGE		01
13	0503010856	OIL PLUG		01
14	0521013857	PLATE PROTECTION		01
15	0503011334	BOLT 3/8 UNC X 3/4 CS G.5 ZN		02
16	0501010984	FLAT WASHER		02
17	0503010025	3/8" SPRING WASHER		02



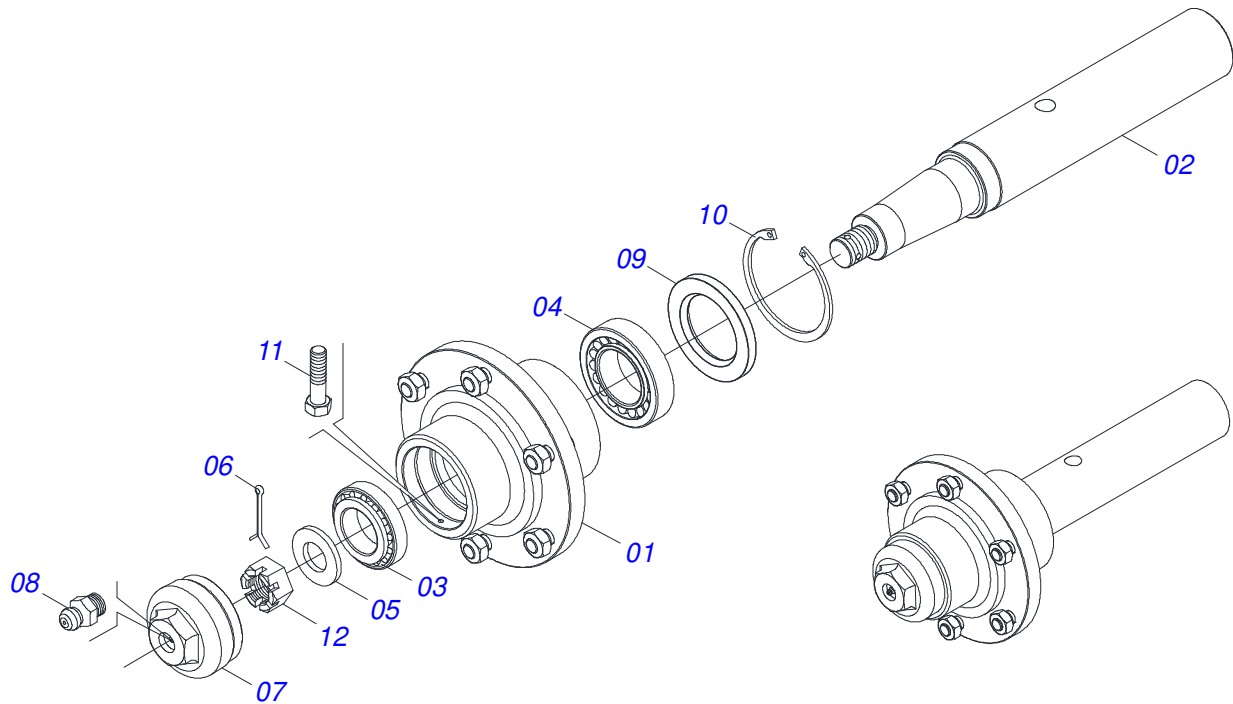
Item	Code	Description	See page	QT
01	0511060971	WHEELS AXLE		01
02	0501054501	WHEEL HUB	7	02
03	0503010762	SCREW 5/8 UNC X 3.1/2 CS G.5 ZN		02
04	0503010027	5/8" SPRING WASHER		02
05	0502011583	BEARING AXLE		02
06	0503012223	FELT RING		02
07	0503010901	3/4UNC 3.1/2 BOLT		04
08	0521013710	WASHER SEMIMAN		04
09	0503012183	SNC 3/4" ZIN 1K03097 NUT		08
10	0521013839	WITHOUT HEADS PIN		01
11	0503010038	3/16 X 2 COTTERPIN		02
12	0521013741	PIN WITH HEAD PN - 030 CIL		01
13	0503010010	1/4" X 2.1/2" COTTERPIN		01
14	0503060264	WHEEL SET		02
14A	0503010033	7.50 X 16 INNER TIRE		01
14B	0503010120	CANVAS TIRE		01
14C	0503010893	WHEEL		01
15	0511058408	HYDRAULIC CYLINDER	2	01
16	0521013842	PIN SEM HEAD PN - 097 CIL		01
17	0503010010	1/4" X 2.1/2" COTTERPIN		01



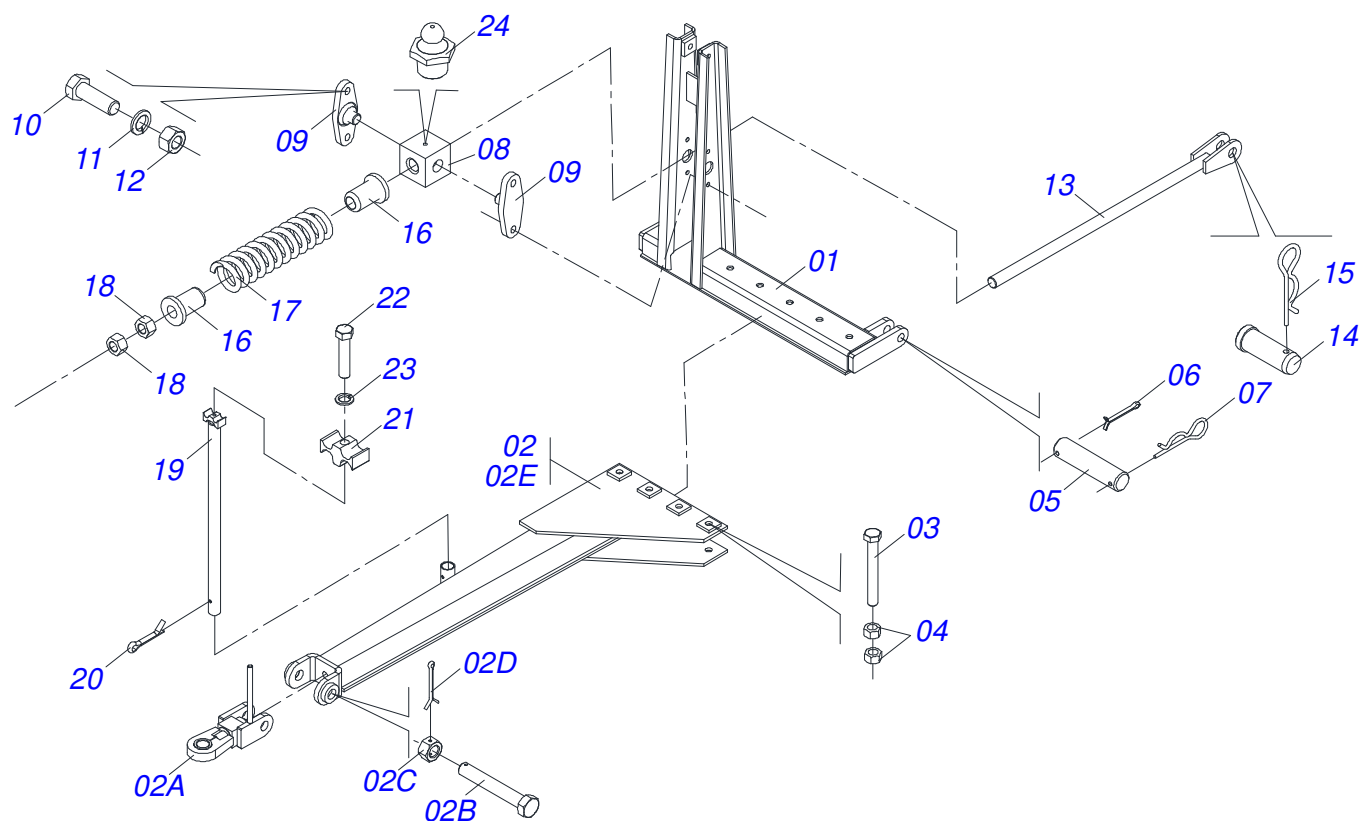
Item	Code	Description	See page	QT
01	0531018161	AXLE		01
02	0503010006	32210 ROLLER BEARING		01
03	0503012928	SEAL		01
04	0501110728	WHEEL HUB		01
04A	0502011121	CARRYING WHEEL HUB		01
04B	0501010127	9/16" X 1-7/8" LUG BOLT		06
04C	0503010035	9/16" CONIC NUT		06
05	0503010037	30207 ROLLER BEARING		01
06	0501016545	FLAT WASHER		01
07	0503030009	1" CASTLE NUT		01
08	0503010018	5/32 X 1-1/2 COTTERPIN		01
09	0502020591	PROTECCION COVER		01
10	0503010358	5/16" X 5/8" BOLT		04
11	0503011444	SPRING WASHER		04
12	0503010002	1800 GREASE FITTING		01



Item	Code	Description	See page	QT
01	0521066882	WHEEL		01
02	0501055850	CARRYNG WHEEL HUB ASSEMBLY SET	9	02
03	0503011084	3/4" X 5" BOLT		02
04	0503010023	3/4" SPRING WASHER		02
05	0503012183	SNC 3/4" ZIN 1K03097 NUT		02
06	0502011583	BEARING AXLE		02
07	0503012223	FELT RING		02
08	0503010901	3/4UNC 3.1/2 BOLT		04
09	0521013710	WASHER SEMIMAN		04
10	0503012183	SNC 3/4" ZIN 1K03097 NUT		08
11	0521013839	WITHOUT HEADS PIN		01
12	0503010038	3/16 X 2 COTTERPIN		02
13	0521013741	PIN WITH HEAD PN - 030 CIL		01
14	0503010010	1/4" X 2.1/2" COTTERPIN		01
15	0503061868	14L WHEEL AND TIRE		02
15A	0503012916	W-13 X 16,5 HOOP WHEEL		01
15B	0503012112	400/60 - 15.5 TR 15 INNER TIRE		01
15C	0503013119	CANVAS TIRE		01
16	0511058408	HYDRAULIC CYLINDER	2	01
17	0521013842	PIN SEM HEAD PN - 097 CIL		01
18	0503010010	1/4" X 2.1/2" COTTERPIN		01



Item	Code	Description	See page	QT
01	0501110766	HUB CARRYING WHEELS WITH BOLT		01
02	0541014720	CR 7076205/1/1 AXLE		01
03	0503010006	32210 ROLLER BEARING		01
04	0503010005	32212 ROLLER BEARING		01
05	0501010086	FLAT WASHER		01
06	0503010067	3/16" X 2.1/2" COTTER PIN		01
07	0502011647	COVER		01
08	0503010691	1/4" GREASE FITTING		01
09	0503010009	RETAINER 00573-B		01
10	0503012723	502115 RENO RING		01
11	0503010298	1/4" X 1/2" BOLT		01
12	0503012457	UNF 1.1/4" CASTLE NUT		01



Item	Code	Description	See page	QT
01	0511060972	DRAWBAR ASSY		01
02	0511050304	DRAWBAR ASSY		01
02A	0511060447	HOOK HITCH		01
02B	0521013837	BOLT		01
02C	0521013817	9005A 3724810 HITCH FIX RNUT		01
02D	0503010067	3/16" X 2.1/2" COTTER PIN		01
02E	0511060256	AXLE ASSY		01
03	0503011198	C3/4" X 6" SCREW		04
04	0503012183	SNC 3/4" ZIN 1K03097 NUT		08
05	0521013841	WITHOUT HEADS PIN PN-078 TRACTION		02
06	0503010038	3/16 X 2 COTTERPIN		02
07	0503031470	TM 251 X 4,0 STAPLE		02
08	0502011616	CROSSPIECE GVMF 60106A		01
09	0502011615	SUPPORT CROSS		02
10	0503010920	1/2" X 1.1/2" BOLT		04
11	0503010019	1/2" SPRING WASHER		04
12	0503010060	1/2" NUT		04
13	0511060258	GVMF 30119N RIGTH JACK		01
14	0521013838	PIN WITH HEAD ROD PN-004		01
15	0503031470	TM 251 X 4,0 STAPLE		01
16	0502011582	SPINDLE GUIDE		02
17	0503031497	SPINDLE SNC		01
18	0503012182	1" NUT		02
19	0511060205	SUPPORT HOSE CNS 20104N		01
20	0503012215	5/16" X 2-1/2" COTTERPIN		01
21	0502012702	BODY SUPPORT CLAMP		01
22	0503012555	SCREW 7/16 UNC X 2 CS RT G.7 ZN		01
23	0503010180	7/16" SPRING WASHER		01
24	0503010002	1800 GREASE FITTING		01







**MARCHESAN**

**Technical Publications | Elaboration and Revision**

LUIZ CANDIDO

[www.marchesan.com.br](http://www.marchesan.com.br)

