

PARTS CATALOGUE



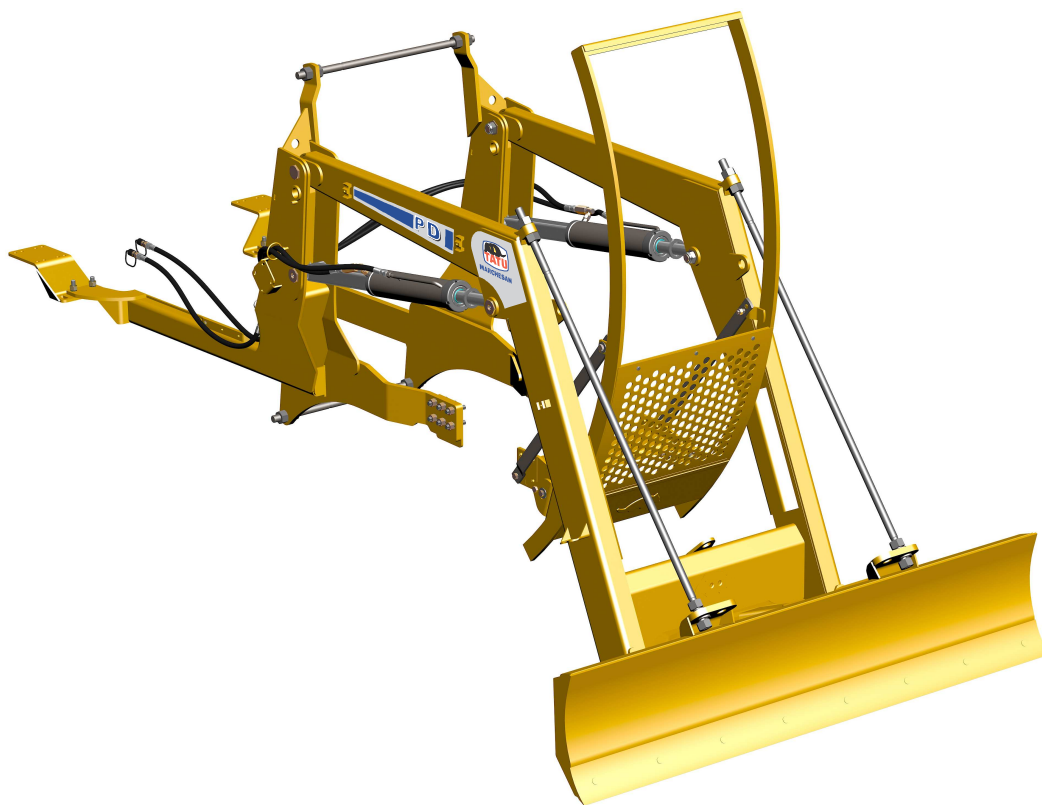
PD - FRONT LOADER

Code:

0501092083

Product:

PD VTR BM 110/125I BT SC GAL G3



Series:

S-0815

Revision:

00

Date Revision:

JANEIRO/2020



PRODUCTS

Code	Description
0106020434	PD VTR BM 110/125I BT SC GAL G3

ATTENTION: IMPORTANT

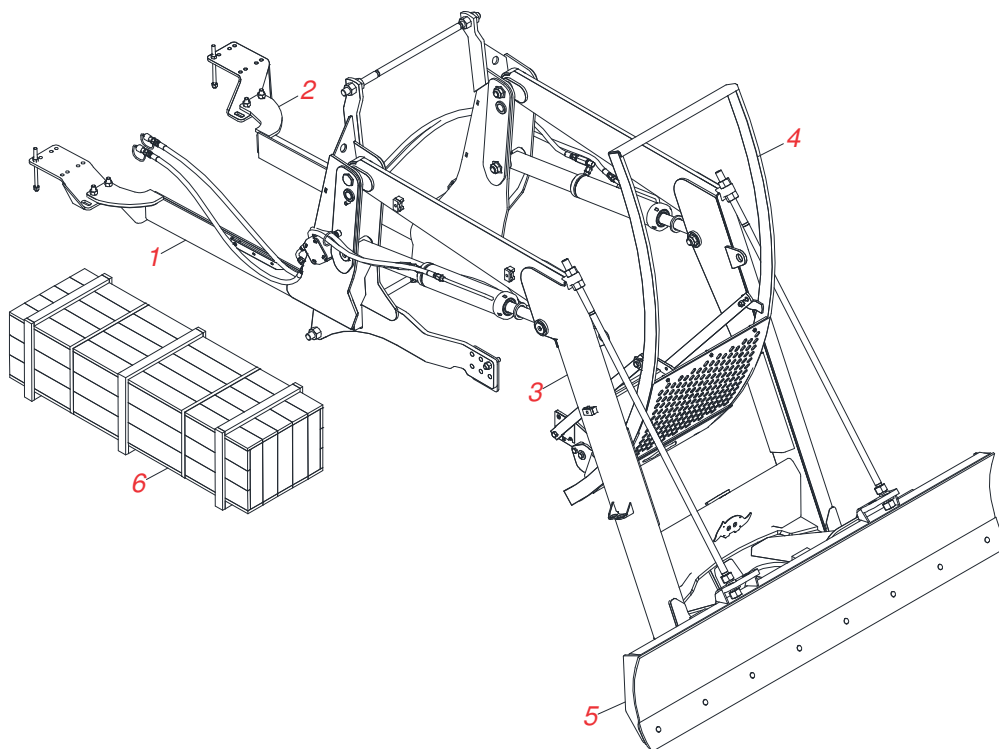
Marchesan S.A. reserves the right to improve and / or modify the technical features of its products, without obligation to do the same with those products already sold and without prior knowledge of the dealer or the consumer.



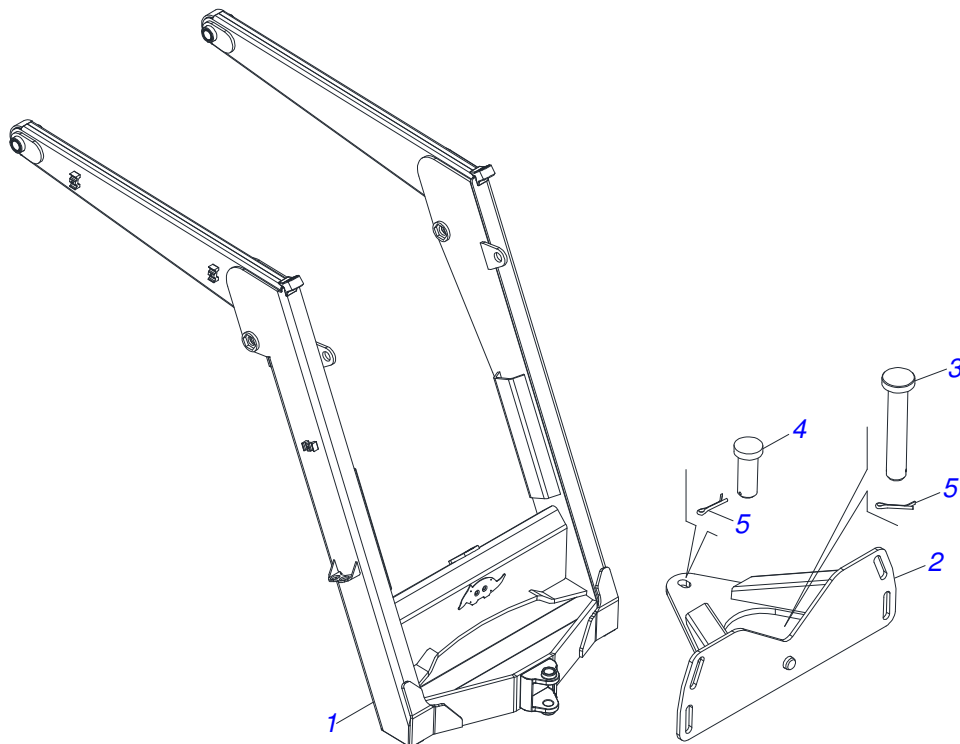
MARCHESAN

INDEX

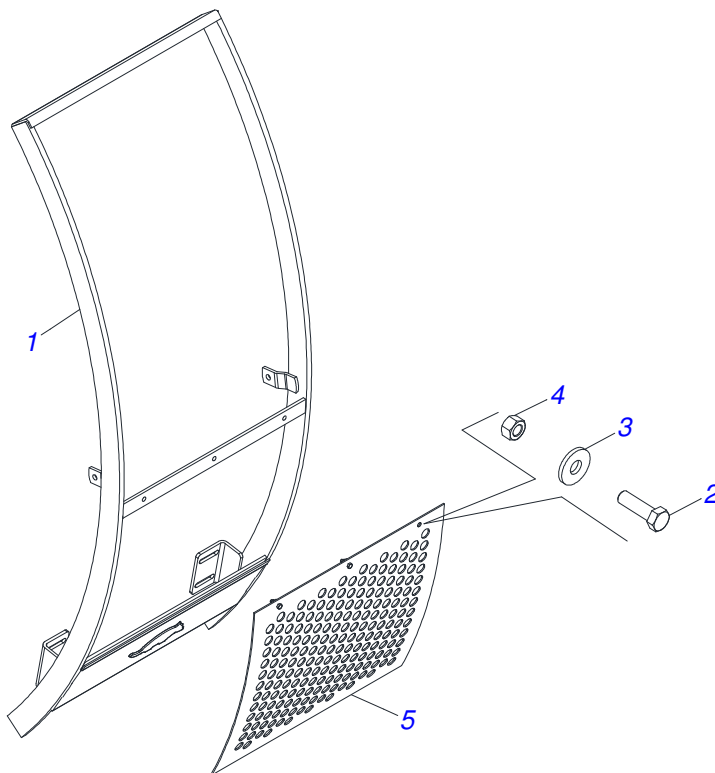
0106020434	PD VTR BM 110/125I BT SC GAL G3	1
0521046011	MOBILE SUPPORT	2
0501049367	FULL HIGH TAB - VTR1380-4S	3
0501047708	2400 BLADE SUPPORT	4
0521022036	BOX WITH COMPONENTS	5
0909098720	HYDRAULIC SYSTEM COMPONENTS	6
0521051368	RH HYDRAULIC CYLINDER	7
0521051369	LH HYDRAULIC CYLINDER	8
0909098722	MOBILE SUPPORT COMPONENTS	9
0521044193	1.1/4 NC X 1810 FULL ROD	10
0511057771	R.7/8UNF - SAFETY VALVE	11
0909098721	FRAME COMPONENTS	12
0501041849	FULL 1.1/4 NC X 910 ROD	13
0501041652	FULL 1.1/4" X 31.88" ROD ASSY	14
0909098727	PACKED PARTS (FRAME)	15
0501053834	MALE QUICK COUPLER WITH CAP - 1/2 NPT	16
0909098733	PACKED PARTS (MOBILE SUPPORT)	17



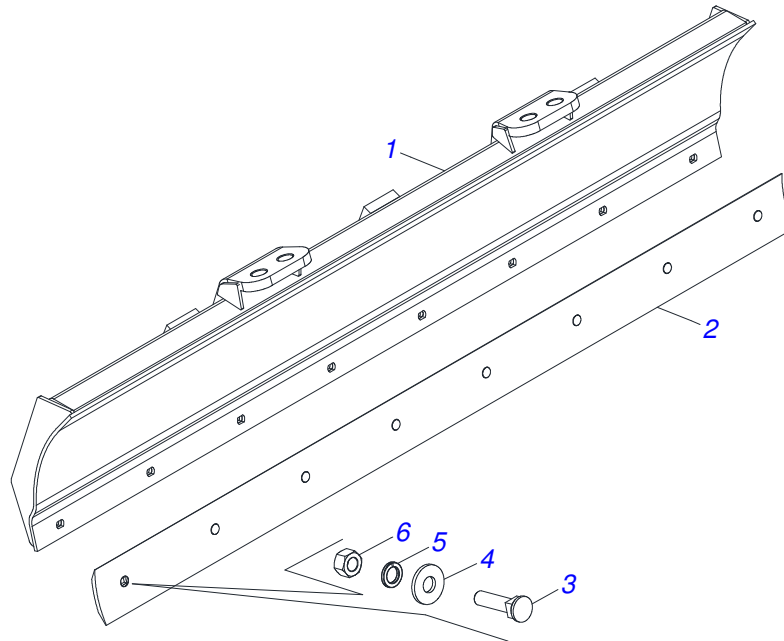
Item	Code	Description	See page	QT
01	0521066563	LEFT FRAME		01
02	0521066563	LEFT FRAME		01
03	0521046011	MOBILE SUPPORT	2	01
04	0501049367	FULL HIGH TAB - VTR1380-4S	3	01
05	0501047708	2400 BLADE SUPPORT	4	01
06	0521022036	BOX WITH COMPONENTS	5	01



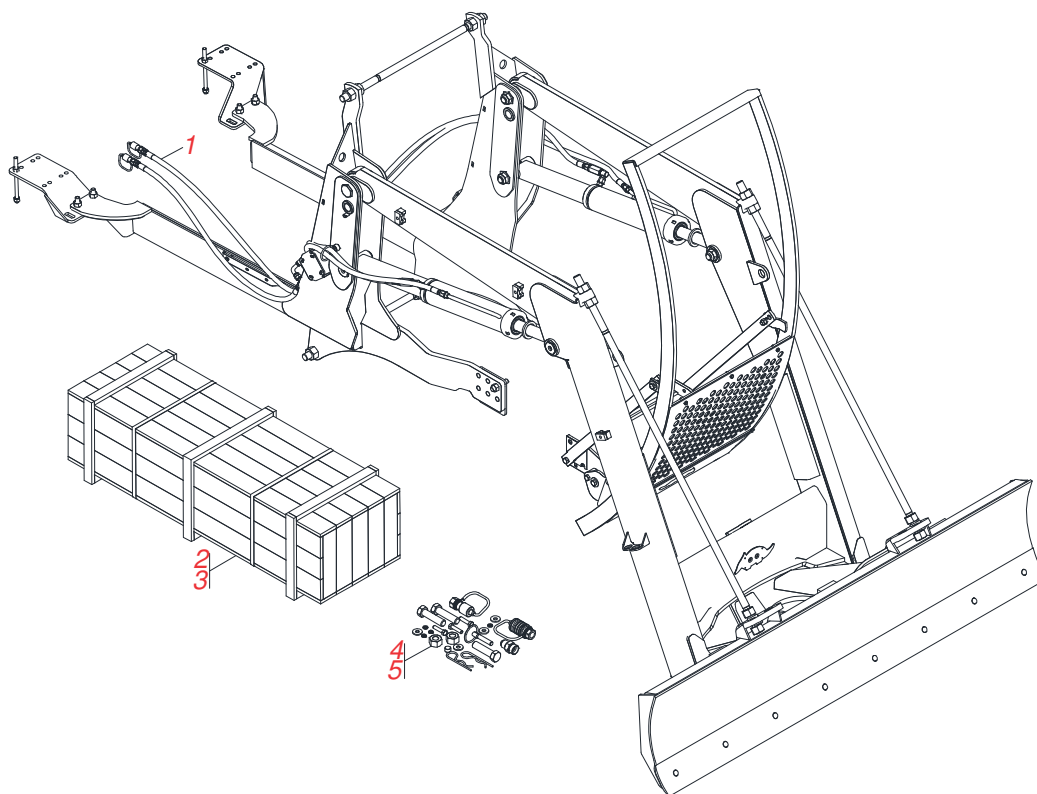
Item	Code	Description	See page	QT
01	0521066582	MOBILE SUPPORT		01
02	0501062637	5/8" REGULATOR SUPPORT		01
03	0521010618	1.4" X 8.6" COUPLING SHAFT		01
04	0521010612	1.4" X 3.5" COUPLING SHAFT		01
05	0503010010	1/4" X 2.1/2" COTTERPIN		02



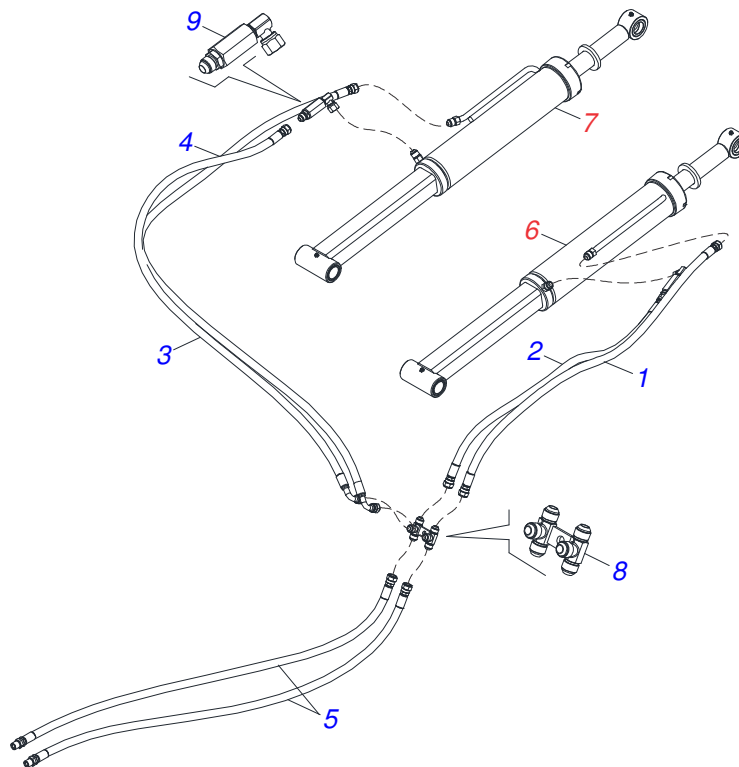
Item	Code	Description	See page	QT
01	0511061956	MOBILE SUPPORT GUIDE ASSY		01
02	0503010751	C3/8" X 1.1/4" HEX BOLT G.5		03
03	0501010984	FLAT WASHER		03
04	0503010026	3/8" NUT		03
05	0501014687	FRONT PROTECTION		01



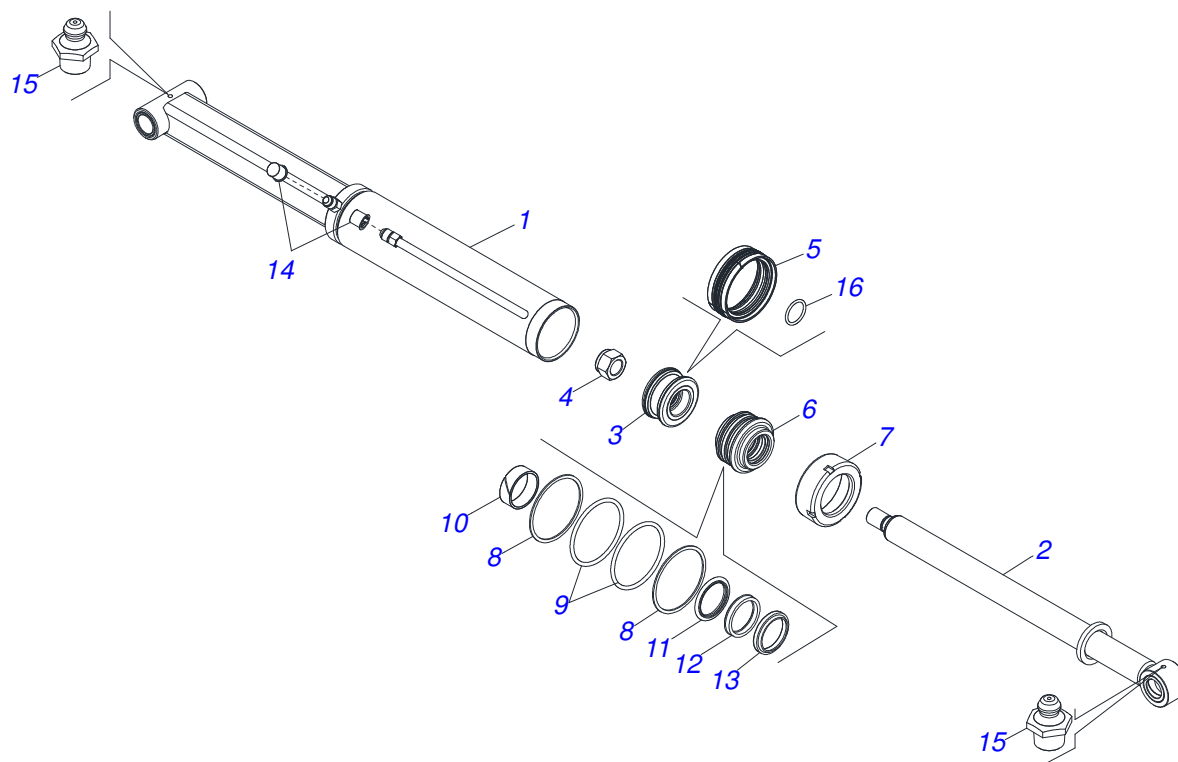
Item	Code	Description	See page	QT
01	0501067999	2390 BLADE SUPPORT		01
02	0622360016	94.5" SCRAPER REVERSIBLE		01
03	0501012240	5/8" X 2-1/2" BOLT		08
04	0501012140	FLAT WASHER		08
05	0503011445	SPRING WASHER		08
06	0503010013	5/8" NUT		08



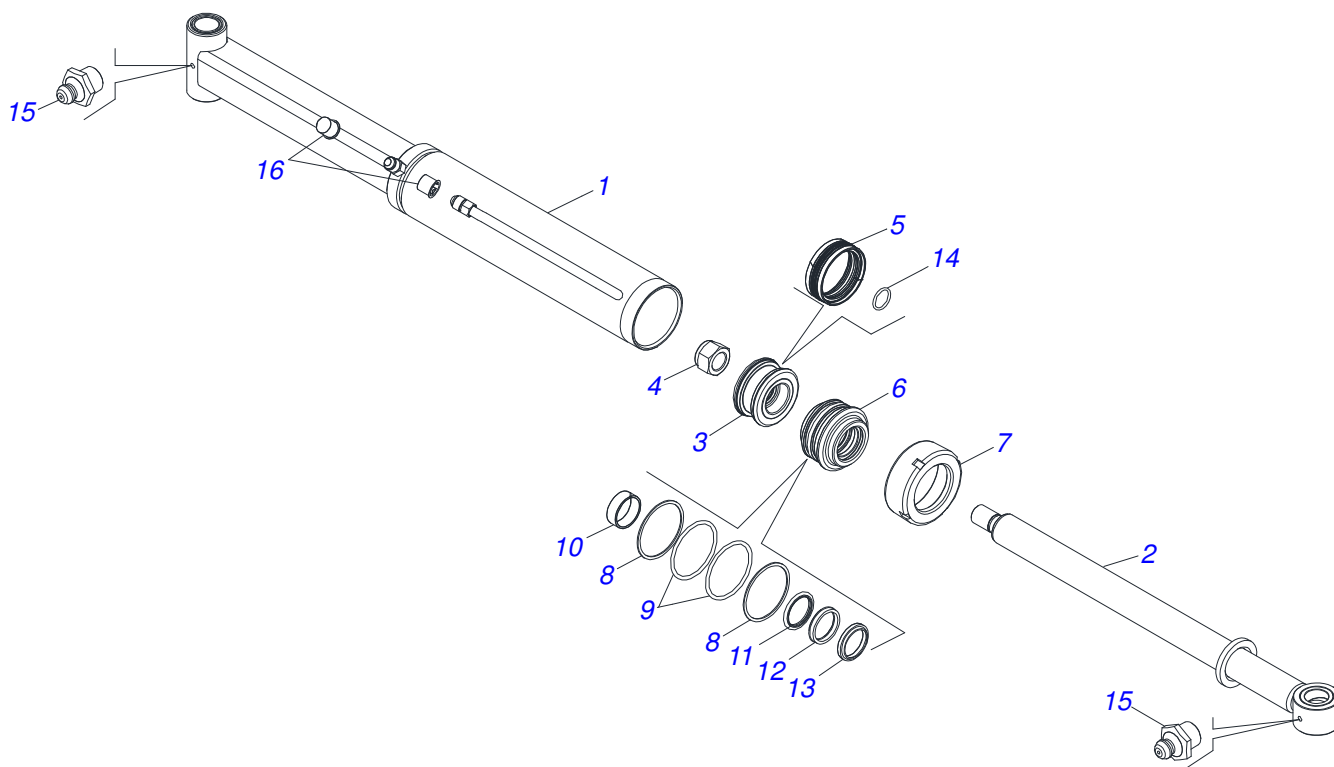
Item	Code	Description	See page	QT
01	0909098720	HYDRAULIC SYSTEM COMPONENTS	6	01
02	0909098722	MOBILE SUPPORT COMPONENTS	9	01
03	0909098721	FRAME COMPONENTS	12	01
04	0909098733	PACKED PARTS (MOBILE SUPPORT)	17	01
05	0909098727	PACKED PARTS (FRAME)	15	01



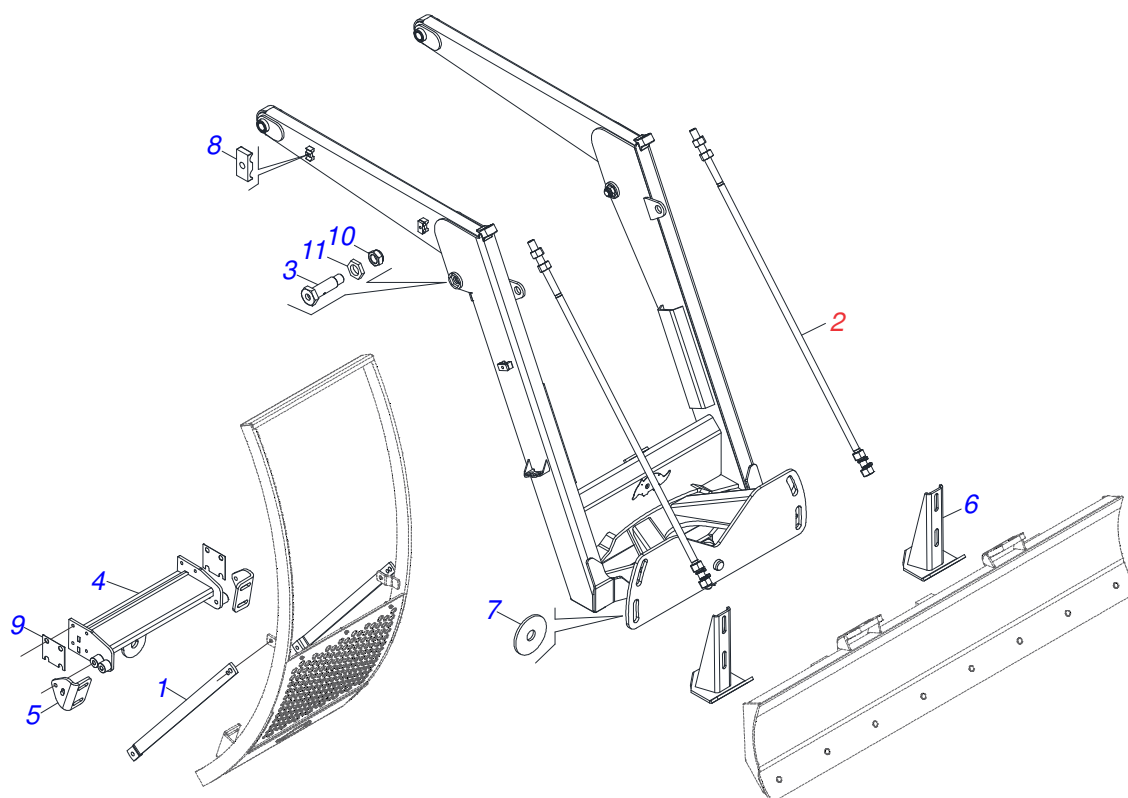
Item	Code	Description	See page	QT
01	0501080021	1/2" X 51" TR-TR HOSE ASSY		01
02	0501080022	1/2" X 43" TR-TR HOSE ASSY		01
03	0501080618	1/2" X 2200 TR-TC HOSE		01
04	0501081041	HOSE 1/2		01
05	0501081746	HOSE 1/2 X 3200 TR-TM		02
06	0521051368	RH HYDRAULIC CYLINDER	7	01
07	0521051369	LH HYDRAULIC CYLINDER	8	01
08	0521064869	7/8UNF JIC OIL DISTRIBUTOR - PD NH T7 175		01
09	0511057771	R.7/8UNF - SAFETY VALVE	11	02



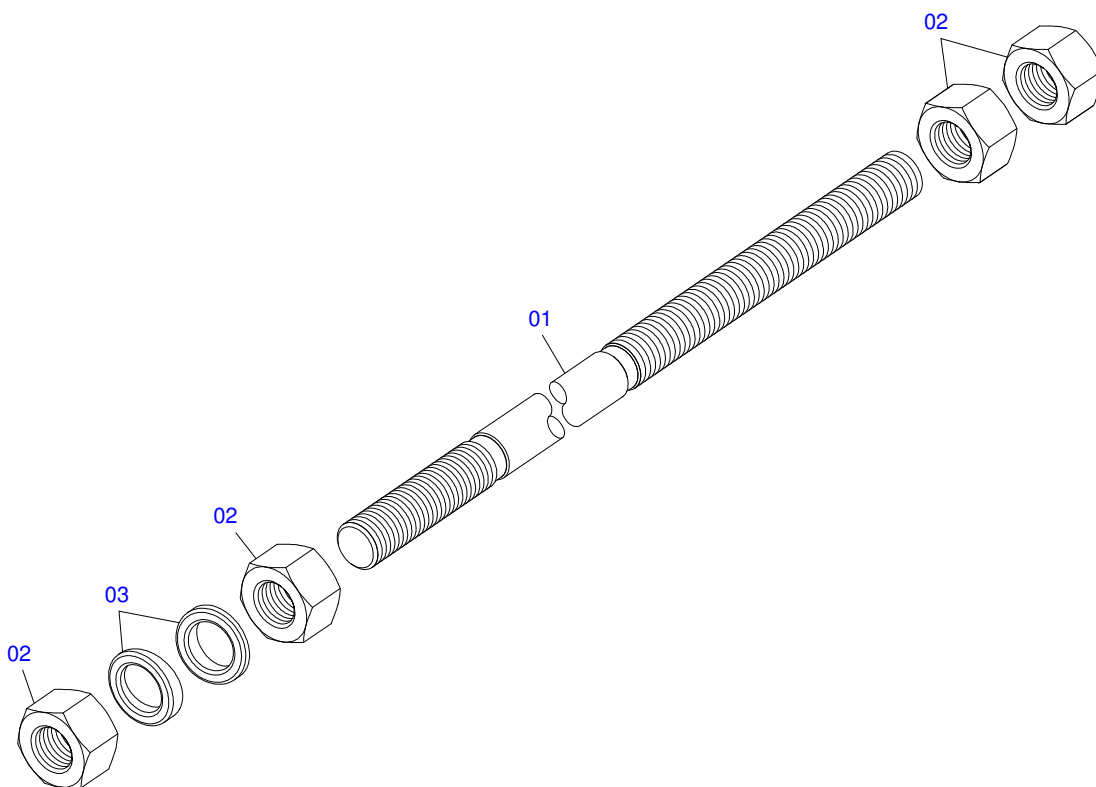
Item	Code	Description	See page	QT
001	0521067964	RH CYLINDER CASE		01
002	0521066570	TURNBUCKLE		01
003	0502012820	50.80 X 101.60 PISTON		01
004	0503010817	1.1/4" SELF LOCKING NUT		01
005	0503015633	SELEMASTER SEALING		01
006	0502012821	50.80 X 101.60 RING SUPPORT		01
007	0502012822	101.60 END CAP		01
008	0503011061	8-342 BACK-UP RING		02
009	0503010338	2-342 N 3006-9B O'RING		02
010	0503018025	RING GUIDE		01
011	0503018024	RING BS		01
012	0503018026	1870-2000-375 B GASKET		01
013	0503010039	D-2000 SCRAPER RING		01
014	0503030387	PLUG		02
015	0503010002	1800 GREASE FITTING		02
016	0503018029	2-217 O'RING		01
017	0511032211	CYLINDER REPAIR KIT 50.80 X 101.60		01



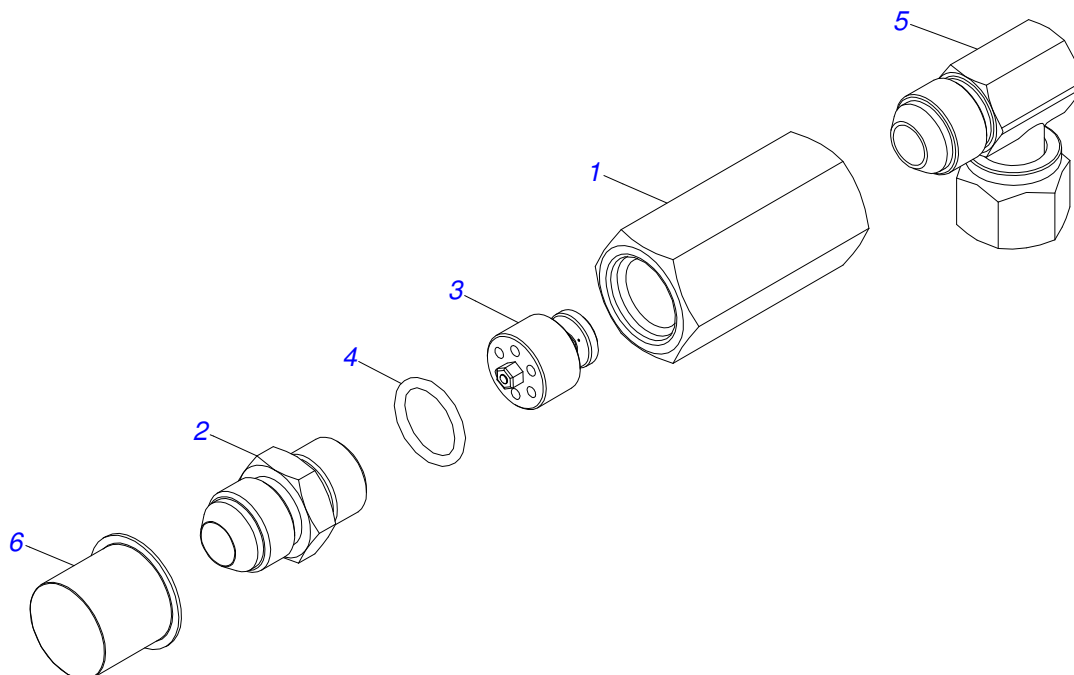
Item	Code	Description	See page	QT
001	0521067965	LH CYLINDER CASE		01
002	0521066570	TURNBUCKLE		01
003	0502012820	50.80 X 101.60 PISTON		01
004	0503010817	1.1/4" SELF LOCKING NUT		01
005	0503015633	SELEMASTER SEALING		01
006	0502012821	50.80 X 101.60 RING SUPPORT		01
007	0502012822	101.60 END CAP		01
008	0503011061	8-342 BACK-UP RING		02
009	0503010338	2-342 N 3006-9B O'RING		02
010	0503018025	RING GUIDE		01
011	0503018024	RING BS		01
012	0503018026	1870-2000-375 B GASKET		01
013	0503010039	D-2000 SCRAPER RING		01
014	0503018029	2-217 O'RING		01
015	0503010002	1800 GREASE FITTING		02
016	0503030387	PLUG		02
017	0511032211	CYLINDER REPAIR KIT 50.80 X 101.60		01



Item	Code	Description	See page	QT
01	0531017722	ATTACHMENT BAR BODY		02
02	0521044193	1.1/4 NC X 1810 FULL ROD	10	02
03	0581010693	BOLT		02
04	0521066583	MOBILE SUPPORT GUIDE FIXER		01
05	0571014003	FASTENING BRACKET OF THE HIGH GUIDE		02
06	0501063411	ESTABILIZER BRACKET		02
07	0501010574	FLAT WASHER		04
08	0502010477	HOSE CLAMP		03
09	0571017466	FIXING CHOCK		02
10	0503010044	1-1/4" SELF LOCKING NUT		02
11	0581010243	WASHER HEX		02

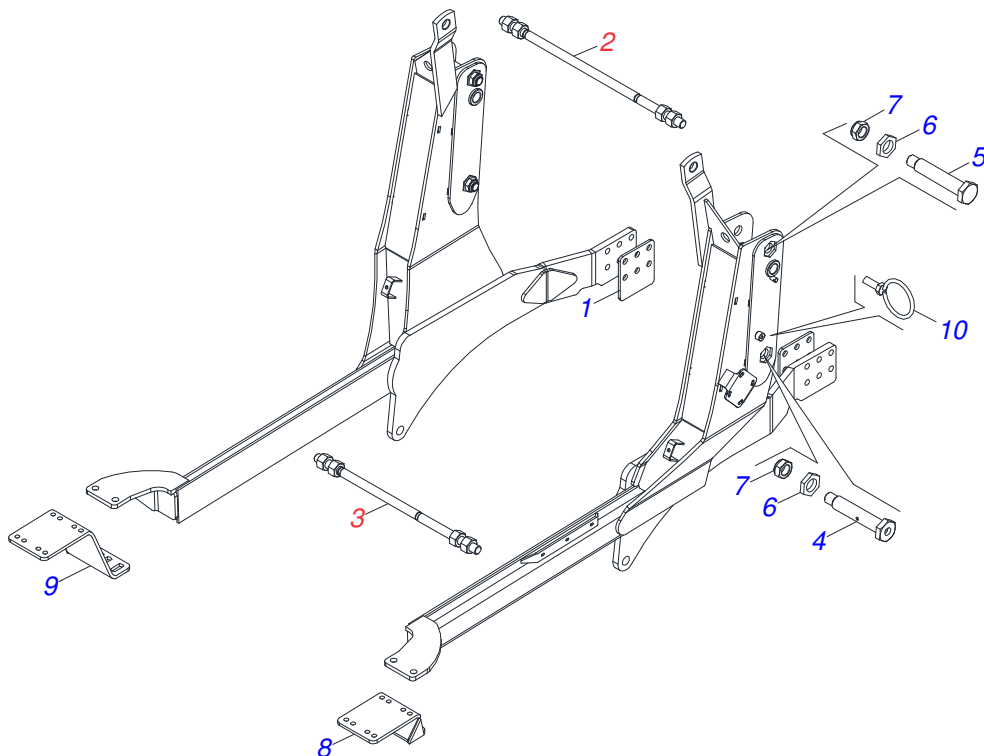


Item	Code	Description	See page	QT
01	0571016063	1.1/4X1810 ROD - PD NH T7.175		01
02	0501010087	1.1/4" NUT		04
03	0502012180	CONICAL SPRING WASHER		02

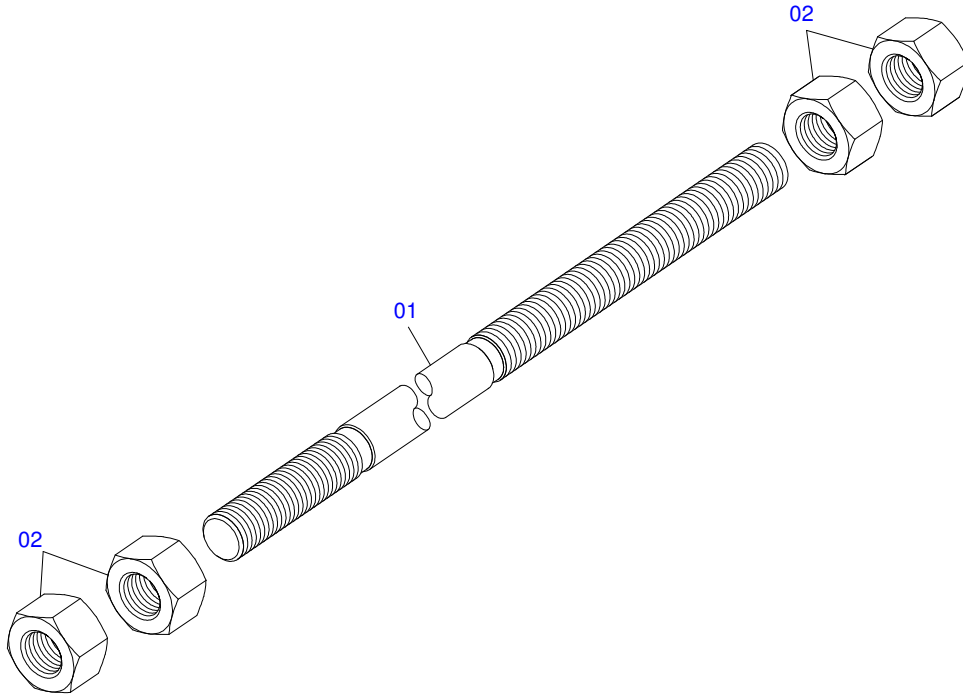


Item	Code	Description	See page	QT
01	0503018033	37 X R.7/8 UNF 90° JIC MALE CONNECTOR WITH ROTATING NUT		01
02	0581014053	1/2 BSP X 7/8 UNF JIC X 64 ADAPTER - GATG		01
03	0503016854	VALVE ASSY		01
04	0503010045	2-116 N 3006-9B O'RING		01
05	0581014052	1/2 BSP X 7/8 UNF JIC X 43 NIPLE - PD/PCA		01
06	0503030387	PLUG		01

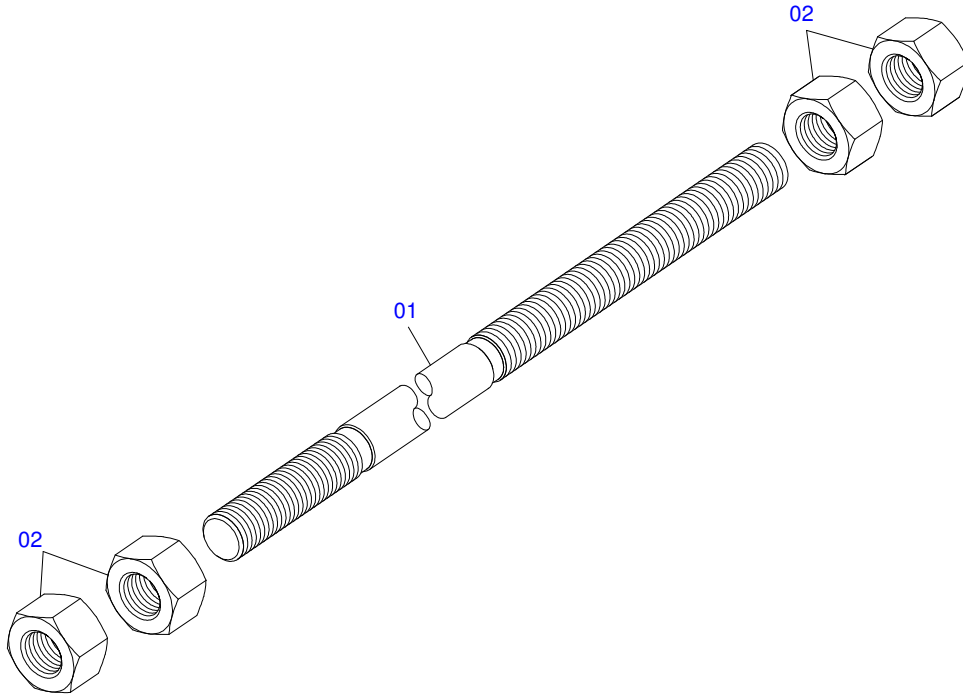
FRAME COMPONENTS



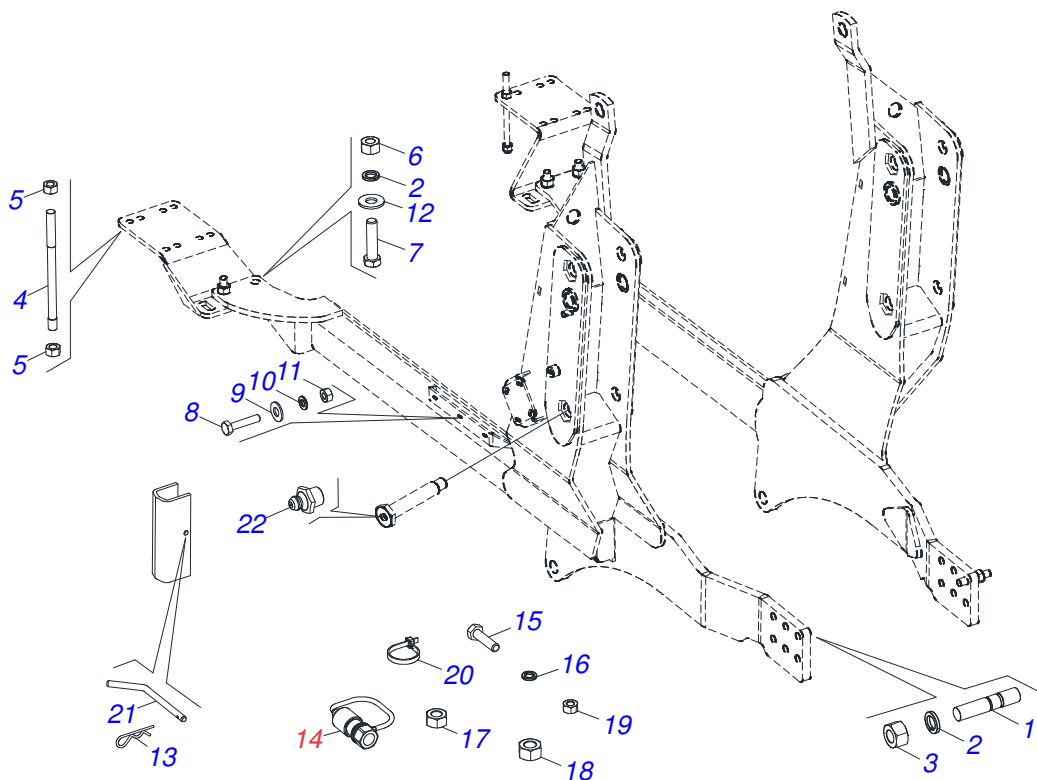
Item	Code	Description	See page	QT
01	0581010766	KNOCKER - PD VTR BM 110 S-0815		02
02	0501041849	FULL 1.1/4 NC X 910 ROD	13	01
03	0501041652	FULL 1.1/4" X 31.88" ROD ASSY	14	01
04	0581010694	BOLT		02
05	0581010706	1.1 / 4 UNF X 207 SCREW		02
06	0581010243	WASHER HEX		04
07	0503010044	1-1/4" SELF LOCKING NUT		04
08	0521066568	LEFT DIFFERENTIAL SUPPORT - VTR BM 110 S0815		01
09	0521066569	DIFFERENTIAL RIGHT SUPPORT - VTR BM 110 S0815		01
10	0521067966	HOSE GUIDE		02



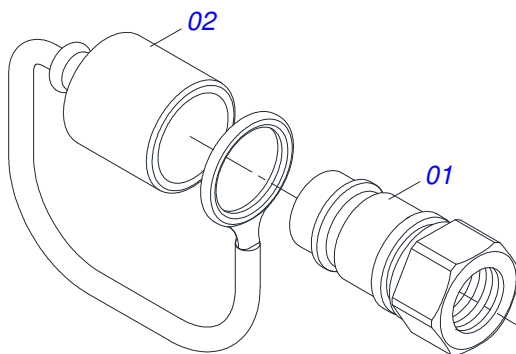
Item	Code	Description	See page	QT
01	0501014914	1.1/4" X 910 ROD		01
02	0501010087	1.1/4" NUT		04



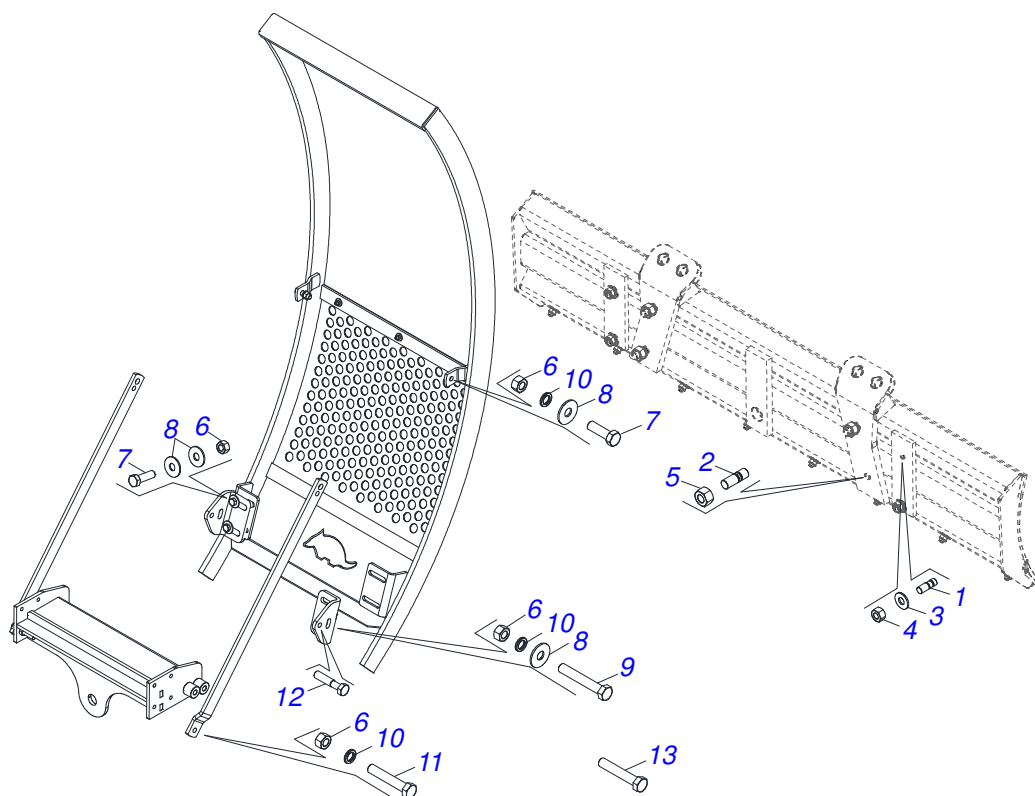
Item	Code	Description	See page	QT
01	0501014916	1.1/4" X 31.88" ROD		01
02	0501010087	1.1/4" NUT		04



Item	Code	Description	See page	QT
01	0501010603	3/4" X 3.74" STUD		12
02	0503010023	3/4" SPRING WASHER		16
03	0503010335	3/4"NUT		12
04	0501011426	5/8" X 5/8" X 9.45" STUD		08
05	0503010013	5/8" NUT		20
06	0503010014	3/4" NUT		08
07	0501010500	3/4"X3"BOLT		04
08	0503010743	1/4" X 1-1/4" BOLT		03
09	0501010694	8.5 X 18 X 1.5 FLAT WASHER		03
10	0503010143	1/4" SPRING WASHER		03
11	0503010144	1/4" NUT		03
12	0501010322	FLAT WASHER		08
13	0503030168	HAIR PIN		02
14	0501053834	MALE QUICK COUPLER WITH CAP - 1/2 NPT	16	02
15	0503010365	NUT		01
16	0503010179	5/16" ZN SPRING WASHER		01
17	0503010244	7/16" NUT		04
18	0503010060	1/2" NUT		02
19	0503010337	5/16" NUT		01
20	0503013100	NYLON CLAMP		04
21	0501068994	0.3" X 3.1"LOCK PIN		02
22	0503010002	1800 GREASE FITTING		02



Item	Code	Description	See page	QT
01	0503011627	MALE QUICK COUPLER AGR 1/2 NPT		01
02	0503011882	MALE QUICK COUPLER CAP		01



Item	Code	Description	See page	QT
01	0561016756	3/4 UNC X 3/4 UNC X 56 PRISONER		04
02	0561016755	PRISONER 1 UNC X 1 UNC X 76 ZN		04
03	0501010322	FLAT WASHER		04
04	0503010014	3/4" NUT		04
05	0501010059	1.5/8 NUT		04
06	0503010013	5/8" NUT		06
07	0501010100	5/8" UNC BOLT		10
08	0501010453	FLAT WASHER		12
09	0503016110	LONG FEERTILIZER ROW SUPPORT		04
10	0503010027	5/8" SPRING WASHER		10
11	0503010762	5/8" X 3-12" BOLT		02
12	0501011541	5/8" X 3" BOLT		02
13	0503010705	7/16" X 3" BOLT		04



www.marchesan.com.br



Technical Publications | Elaboration and Revision
MARINA PEREZ NIZA