

PARTS CATALOG

HINGE TYPE OFFSET DISK HARROW

GHP 16/20/24

Code: 0501092076



Series: S-1092

Review: JANEIRO/2018

ORIGINAL PARTS
TATU



PRODUCTS

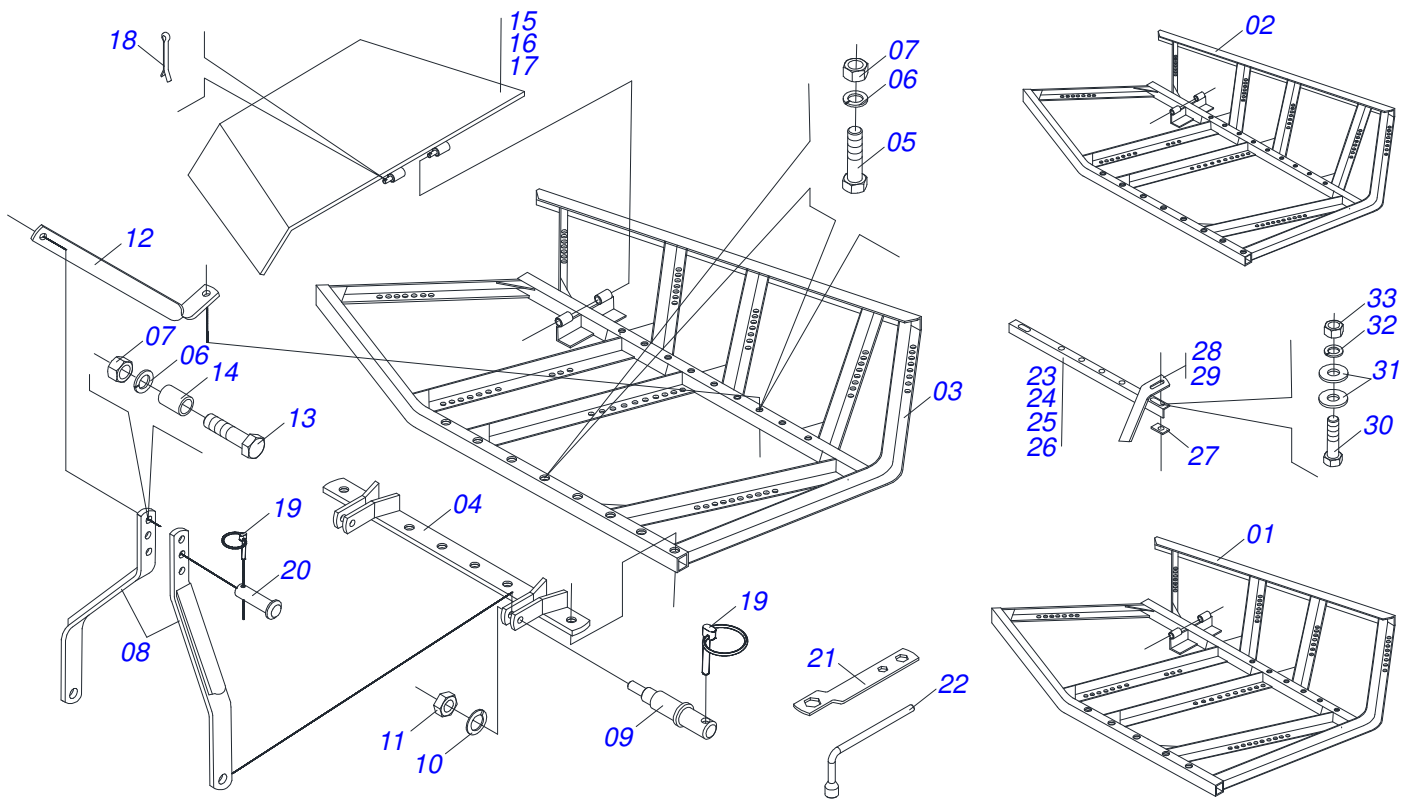
Code	Description
0102200014	GHP 16 X 20" X 3,50 MA MT S-0591
0102200020	GHP 16 X 18" X 3,00 MA DL S-0591
0102200021	GHP 16 X 16" X 3,00 MA MT S-0591
0102200026	GHP 20 X 16" X 3,00 MA MT S-0591
0102200028	GHP 20 X 18" X 3,50 MA MT S-0591
0102200030	GHP 24 X 18" X 3,00 MA DL S-0591
0102200031	GHP 24 X 16" X 3,00 MA MT S-0591
0102200038	GHP 20 X 20" X 4,00 MA DL S-1092
0102200039	GHP 24 X 20" X 4,00 MA DL S-1092

ATTENTION: **IMPORTANT**

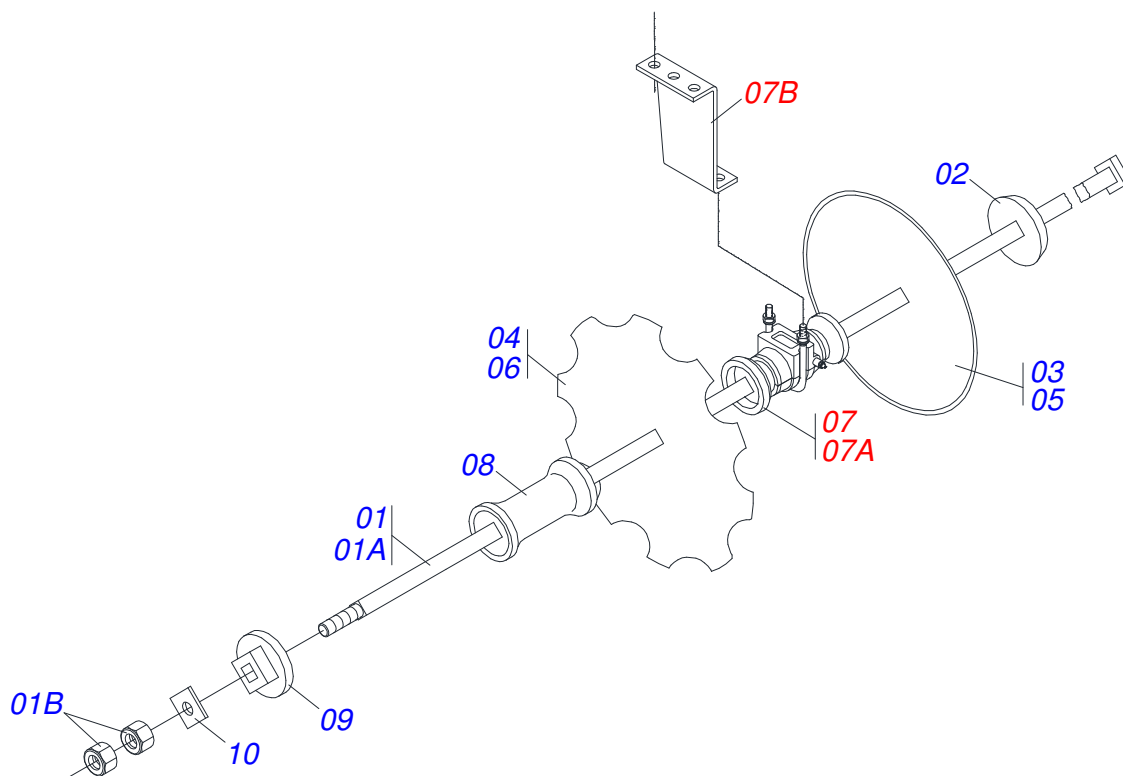
MARCHESAN S/A RESERVES THE RIGHT AT ANY TIME TO MAKE IMPROVEMENTS IN THE DESIGN, MATERIAL OR SPECIFICATIONS OF MACHINERY, EQUIPMENT OR PARTS WITHOUT THEREBY BECOMING LIABLE TO MAKE SIMILAR CHANGES IN MACHINERY, EQUIPMENT OR PARTS PREVIOUSLY SOLD.

INDEX

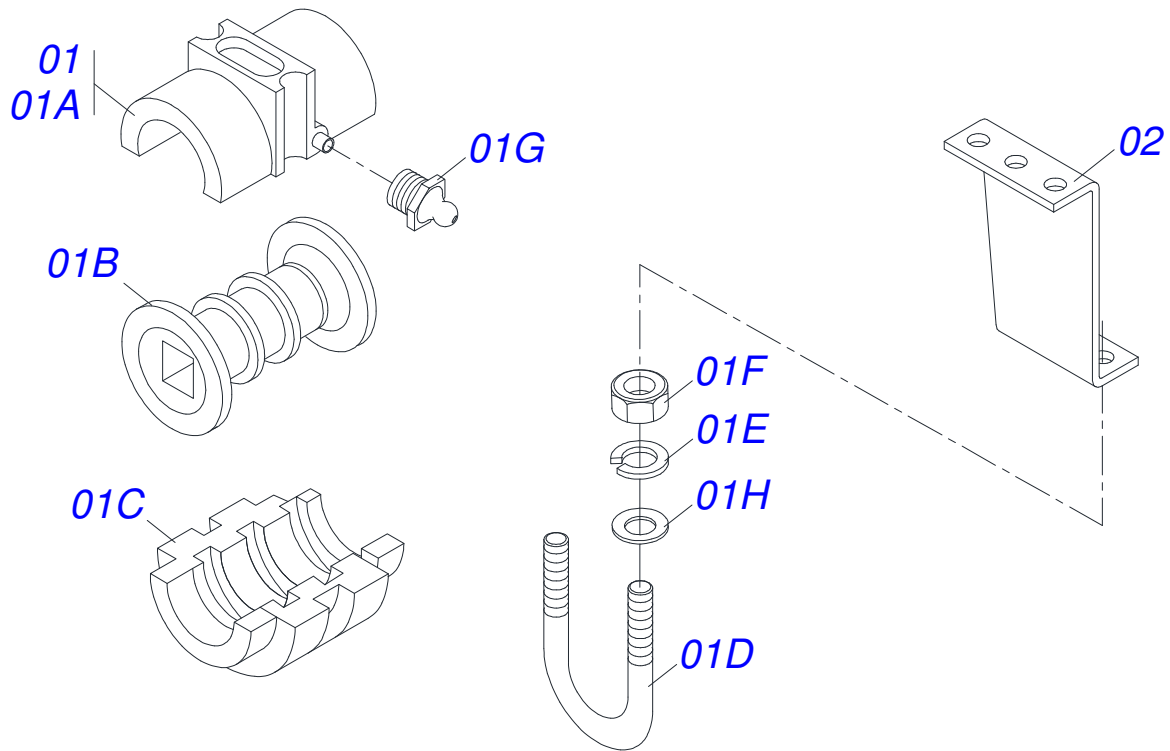
0909093630	ASSY FRAME	1
0909093631	SECTION DISCS	2
0501040708	FRICTION BEARING ASSY	3



Item	Code	Description	16 20 24 D
01	0501065771	FRAME	01 00 00
02	0501065772	FRAME	00 01 00
03	0501065773	FRAME	00 00 01
04	0501065805	OFFSET BAR	01 01 01
05	0501010216	3/4" X 4-1/2" BOLT	06 06 06
06	0503010023	SPRING WASHER	07 07 07
07	0503010014	3/4" NUT	06 06 06
08	0501010410	SEMI CAB	02 02 02
09	0521010632	1" COUPLING SHAFT	02 02 02
10	0503010012	1" SPRING WASHER	02 02 02
11	0503010340	1" NUT	02 02 02
12	0511012007	ATTACHMENT BAR	02 02 02
13	0503013185	3/4" X 5-1/2" BOLT	01 01 01
14	0521010490	SLEEVE SPACER	01 01 01
15	0501065812	PROTECCION COVER	01 00 00
16	0501065813	PROTECCION COVER	00 01 00
17	0501065814	PROTECCION COVER	00 00 01
18	0503010131	3/16" X 1-1/2" COTTERPIN	02 02 02
19	0503030430	7/16 X 2" PIN LOCK	02 02 02
20	0521010579	COUPLING SHAFT	01 01 01
21	0511018451	5/8" X 3/4" X 1" UNIVERSAL	01 01 01
22	0501068289	5/8" WRENCH T	01 01 01
23	0511011999	19.5" BAR OF THE FIX OF THE SCRAPER	03 00 00
24	0511012000	27.2" BAR OF THE FIX OF THE SCRAPER	01 03 00
25	0511012001	35" BAR OF THE FIX OF THE SCRAPER	00 01 03
26	0511012002	42.7" BAR OF THE FIX OF THE SCRAPER	00 00 01
27	0511012006	SUPPORT	08 08 08
28	0501018608	FRONT SCRAPER BODY	02 05 06
29	0501018609	REAR SCRAPER BODY	03 05 07
30	0501011028	1/2" X 2-1/4" BOLT	24 28 32
31	0511017302	FLAT WASHER	48 56 64
32	0503010019	1/2" SPRING WASHER	48 56 64
33	0503010060	1/2" NUT	48 56 64



Item	Code	Description	16 20 24 D
01	0501040681	1" X 27.7" SQUARE AXLE WITH NUTS	04 00 00
01.	0501044108	1" X 35.6" SQUARE AXLE WITH NUTS	00 04 00
01..	0501044110	1" X 43.3" SQUARE AXLE WITH NUTS	00 00 04
01A	0501010441	1" X 27.7" SQUARE SHAFT	04 00 00
01A.	0511011994	1" X 35.6" SQUARE SHAFT	00 04 00
01A..	0511011995	1" X 43.3" SQUARE SHAFT	00 00 04
01B	0501810059	1" NUT	02 02 02
02	0502010075	EXTERNAL AXLE WASHER	04 04 04
03	0601027184	DL20X3,5 C57AF02FC1.1/16 9901022 JU	16 20 24
04	0602027230	DR20X3,5 C57AF02FC1.1/16 10RE JUMIL	16 20 24
05	0601025254	DL18X3,5 C45AF02FC1.1/16 TATU	16 20 24
06	0602025180	DR18X3,5 C44AF02FC1.1/16 9REC JUMIL	16 20 24
07	0501040708	FRICTION BEARING ASSY	08 08 08
07A	0501040132	FRICTION BEARING ASSY	01
07B	0501010451	BRACKET	01
08	0502010933	192,5 SPACER	04 08 12
09	0502010076	INNER AXLE WASHER FQ	04 04 04
10	0501010450	NUT LOCK	04 04 04



Item	Code	Description	QT
001	0501040132	FRICTION BEARING ASSY	01
001A	0502030004	UPPER COVER HOUSING	01
001B	0502030011	REEL	01
001C	0502030006	LOWER COVER HOUSING	01
001D	0521012326	5/8 UNC X 138 X 117 FASTENER	01
001E	0503010027	SPRING WASHER	02
001F	0503010013	5/8" NUT	02
001G	0503010002	1800 GREASE FITTING	01
001H	0501012140	FLAT WASHER	02
002	0501010451	BRACKET	01



MARCHESAN IMPLEMENTOS E MÁQUINAS AGRÍCOLAS TATU S.A.

AV. Marchesan, 1979 - Post office box, 131 - CEP 15994-900 - Matão - SP - Brazil

Phone +55 16.3382-8282

(FAX Parts) + 55 16.3382. 8297 - (Export) + 55 16.3382.1003

e.mail: tatu@marchesan.com.br www.marchesan.com.br

Technical Publications: Elaboration

LUIZ CANDIDO

Technical Publications: Revision

LUIZ CANDIDO

Contact Catálogo:

E-mail = jgaspari@marchesan.com.br

**ORIGINAL PARTS
TATU**

