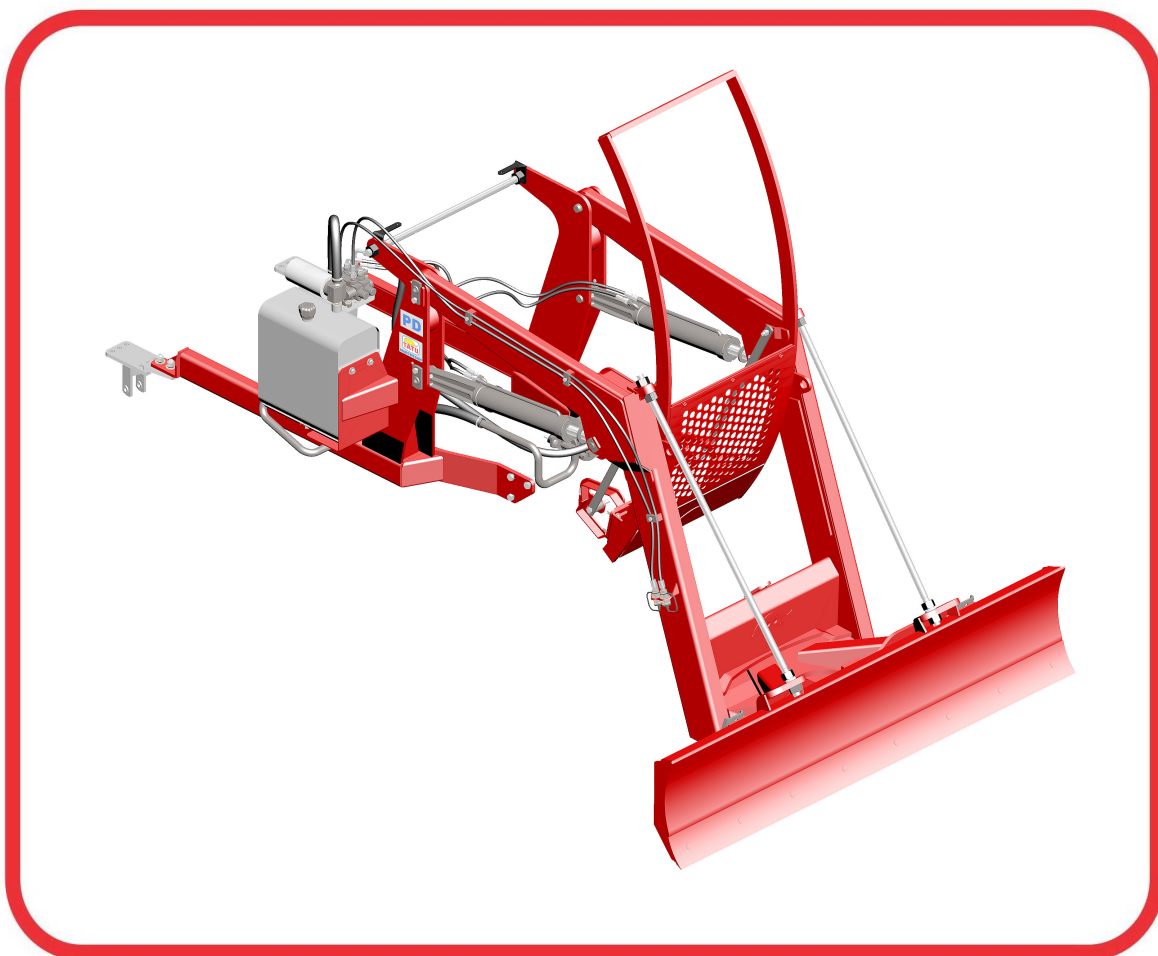


PARTS CATALOG

PD - FRONT LOADER

PD MF 4265/75/83-4 SHT CD PA
MPK GAL

Code: 0501092074



Series: S-0313

Review: DEZEMBRO/2017

ORIGINAL PARTS
TATU



PRODUCTS

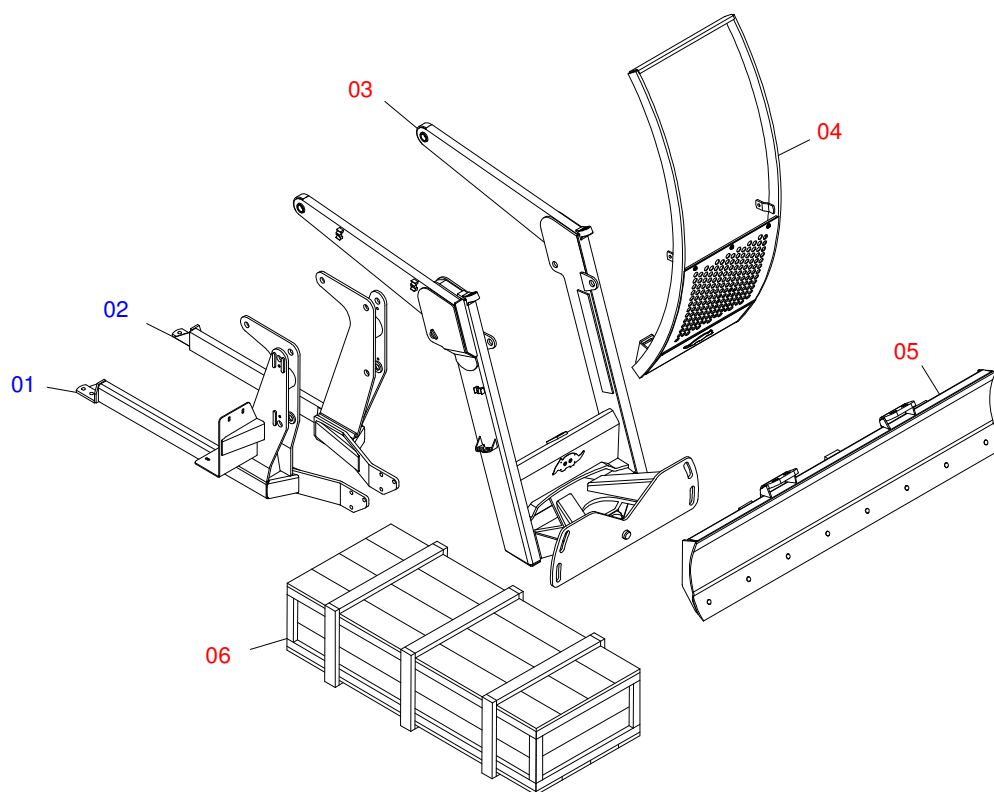
| Code | Description |
|------------|-----------------------------------|
| 0106030425 | PD MF 4265/75/83-4 SHT CD MPK GAL |

ATTENTION: **IMPORTANT**

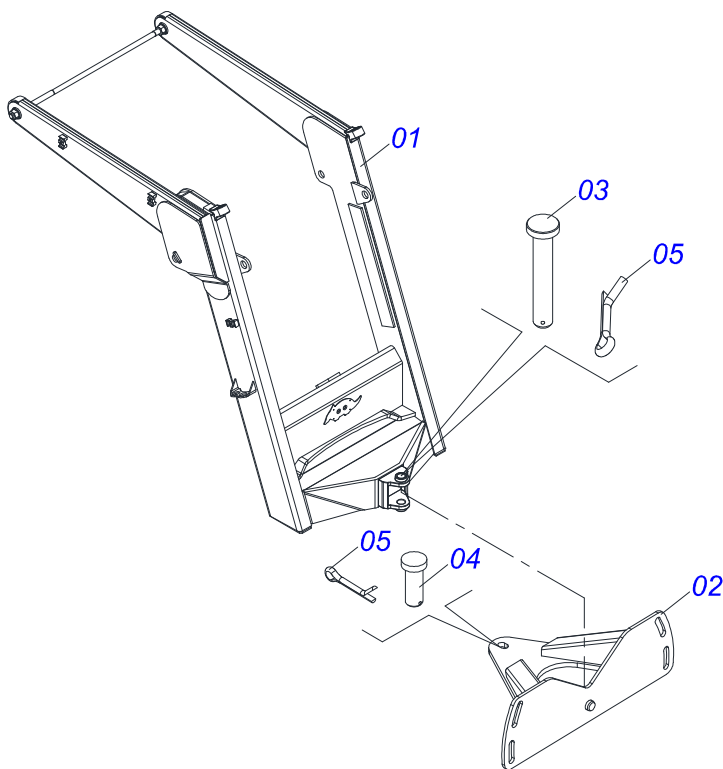
MARCHESAN S/A RESERVES THE RIGHT AT ANY TIME TO MAKE IMPROVEMENTS IN THE DESIGN, MATERIAL OR SPECIFICATIONS OF MACHINERY, EQUIPMENT OR PARTS WITHOUT THEREBY BECOMING LIABLE TO MAKE SIMILAR CHANGES IN MACHINERY, EQUIPMENT OR PARTS PREVIOUSLY SOLD.

INDEX

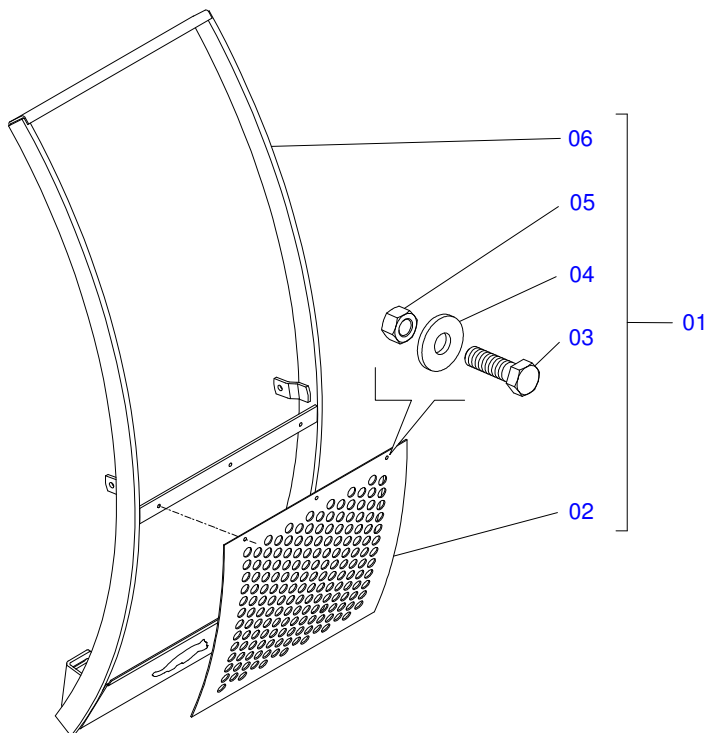
| | | | |
|------------|--|-------|----|
| 0106030425 | PD MF 4265/75/83-4 SHT CD MPK GAL | | 1 |
| 0511049953 | MOBILE FULL SUPPORT PD VTR A950 | | 2 |
| 0511049956 | MOBILE SUPPORT GUIDE ASSY | | 3 |
| 0501047708 | 2400 BLADE SUPPORT | | 4 |
| 0521022462 | BOX WITH COMPONENTS - PD MF 4283-4 SHT CD MPK | | 5 |
| 0501047575 | OIL RESERVOIR ASSY | | 6 |
| 0501059935 | PUMP WITH SUCTION AND PRESSURE DUCTS - MF 4292-4 | | 7 |
| 0501041108 | RETURNING FILTER ASSY | | 8 |
| 0501059952 | DOBLE COMMAND 1/2 HIDROV/DANFOSS ASSY | | 9 |
| 0501059951 | SET OF HOSES - PD MF SHT 4275/4283-4 | | 10 |
| 0501039832 | PACKAGED PARTS IN PLASTIC BAG | | 11 |



| Item | Code | Description | QT |
|------|------------|---|----|
| 01 | 0521061631 | RIGHT FRAME - SHT PD MF 4275-4 S-0510 | 01 |
| 02 | 0521061633 | LEFT FRAME - PD MF 4275/4291-4 S-0510 | 01 |
| 03 | 0511049953 | MOBILE FULL SUPPORT PD VTR A950 | 01 |
| 04 | 0511049956 | MOBILE SUPPORT GUIDE ASSY | 01 |
| 05 | 0501047708 | 2400 BLADE SUPPORT | 01 |
| 06 | 0521022462 | BOX WITH COMPONENTS - PD MF 4283-4 SHT CD | 01 |

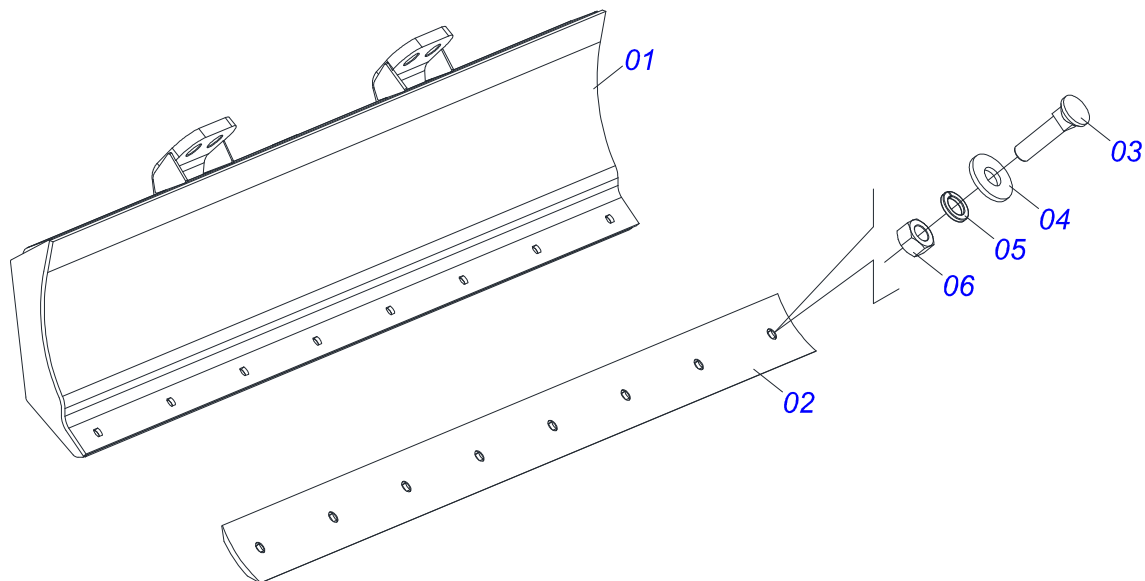


| Item | Code | Description | QT |
|------|------------|------------------------------|----|
| 01 | 0521062701 | MOBILE SUPPORT - PD VTR A950 | 01 |
| 02 | 0501062637 | 5/8" REGULATOR SUPPORT | 01 |
| 03 | 0521010618 | 1.4" X 8.6" COUPLING SHAFT | 01 |
| 04 | 0521010612 | 1.4" X 3.5" COUPLING SHAFT | 01 |
| 05 | 0503010010 | 1/4" X 2.1/2" COTTERPIN | 02 |

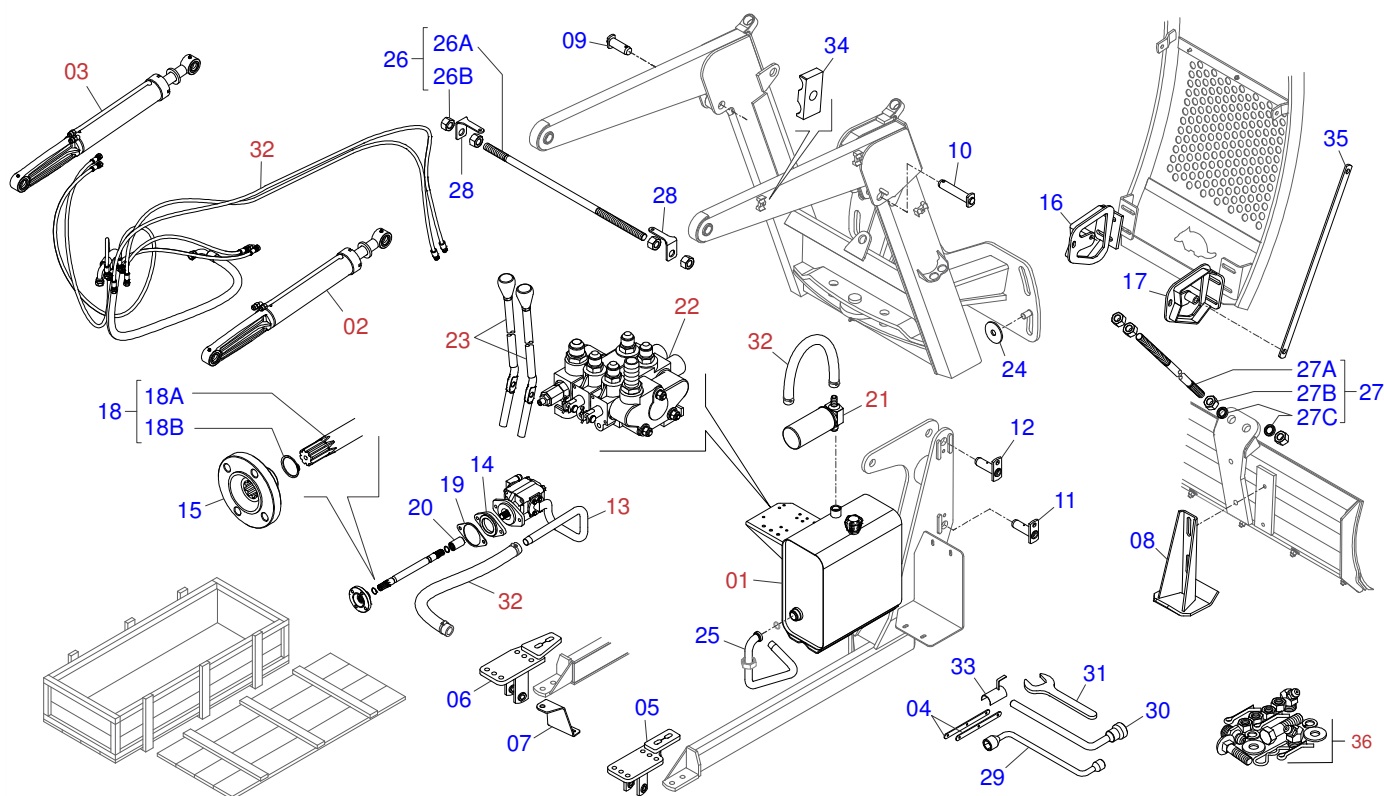


| Item | Code | Description | QT |
|------|------------|-----------------------------|----|
| 01 | 0511049956 | MOBILE SUPPORT GUIDE ASSY | 01 |
| 02 | 0501017431 | FRONT PROTECTION | 01 |
| 03 | 0503010751 | C3/8" X 1.1/4" HEX BOLT G.5 | 03 |
| 04 | 0501010984 | FLAT WASHER | 03 |
| 05 | 0503010026 | 3/8" NUT | 03 |
| 06 | 0521062696 | GUIDE SUPPORT MOBILE | 01 |

2400 BLADE SUPPORT



| Item | Code | Description | QT |
|------|------------|--------------------------|----|
| 01 | 0501067999 | 2390 BLADE SUPPORT | 01 |
| 02 | 0622360016 | 94.5" SCRAPER REVERSIBLE | 01 |
| 03 | 0501012240 | 5/8" X 2-1/2" BOLT | 08 |
| 04 | 0501012140 | FLAT WASHER | 08 |
| 05 | 0503011445 | SPRING WASHER | 08 |
| 06 | 0503010013 | 5/8" NUT | 08 |

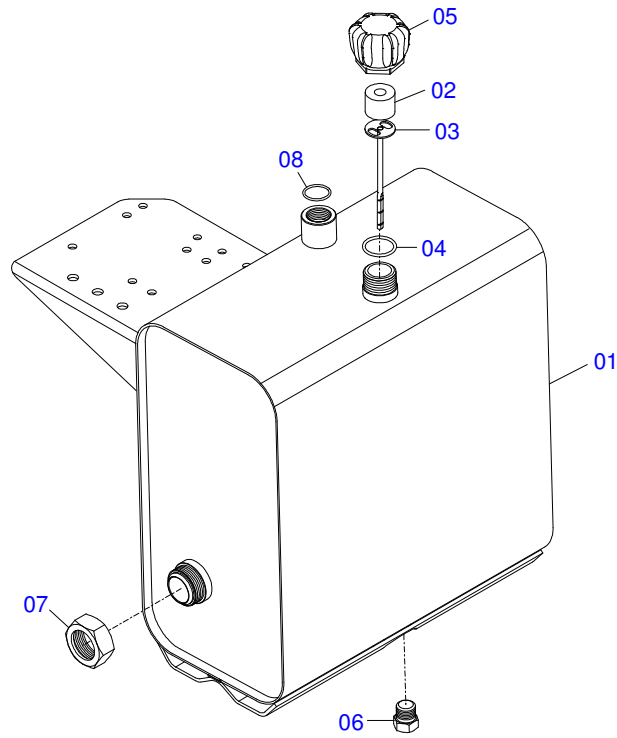


| Item | Code | Description | QT |
|------|------------|---|----|
| 01 | 0501047575 | OIL RESERVOIR ASSY | 01 |
| 02 | 0501046992 | HYDRAULIC CYLINDER | 01 |
| 03 | 0501046993 | HYDRAULIC CYLINDER | 01 |
| 04 | 0561016347 | FASTENING SUPPORT RADIATOR PROTECTION | 02 |
| 05 | 0521061641 | FRAME BRACKET | 01 |
| 06 | 0521063770 | LH BRACKET | 01 |
| 07 | 0561016418 | SUPPORT TANK OIL | 01 |
| 08 | 0501063411 | ESTABILIZER BRACKET | 02 |
| 09 | 0521063354 | COUPLING SHAFT | 01 |
| 10 | 0521063358 | 37,20 X 161 JOINT AXIS - PD VTR A950 | 01 |
| 11 | 0501063960 | 37,2 X 130 PIVOT SHAFT LOCK | 02 |
| 12 | 0501063751 | 1.5" X 5.5" PIVOT SHAFT | 02 |
| 13 | 0501059935 | PUMP WITH SUCTION AND PRESSURE DUCTS - MF | 01 |
| 14 | 0521012242 | SUPPORT ADAPTER | 01 |
| 15 | 0561016816 | 120 X 50 ESTR 1.1/8" - COUPLING FLANGE | 01 |
| 16 | 0521061644 | LEFT GUIDE MOVEL SUPPORT - PD MF 4292-4 | 01 |
| 17 | 0521061643 | MOBILE SUPPORT RIGHT GUIDE - PD MF 4292-4 | 01 |
| 18 | 0501057540 | AXIS 385 X 1.1/8 EST1.1/8-30G WITH RING | 01 |
| 18A | 0501068938 | 15" X 1.1/8 AXLE STRIATED | 01 |
| 18B | 0503010174 | 501028 CLAMPING RING (FOR AXLE) | 02 |
| 19 | 0561016191 | SHIM - PD 4292-4 | 02 |
| 20 | 0503030838 | 1-1/8" X 2.4" SLEEVE | 01 |
| 21 | 0501041108 | RETURNING FILTER ASSY | 01 |
| 22 | 0501059952 | DOBLE COMMAND 1/2 HIDROV/DANFOSS ASSY | 01 |
| 23 | 0501048023 | CONTROL VALVE | 02 |
| 24 | 0501010574 | FLAT WASHER | 04 |
| 25 | 0521061677 | TANK SUCTION DUCT - PCA/PD | 01 |
| 26 | 0511043351 | 1.1/4" X 40" ROD | 01 |
| 26A | 0541015018 | ROD 1.1/4 NC X 1000 PCA-T 1750 | 01 |
| 26B | 0501010087 | 1.1/4" NUT | 04 |
| 27 | 0501041427 | 1.1/4" NC X 1540 ROD | 02 |
| 27A | 0501014250 | 1.1/4" X 1540 ROD | 01 |
| 27B | | | |
| 27C | | | |
| 27B | 0502012180 | CONICAL SPRING WASHER | 02 |

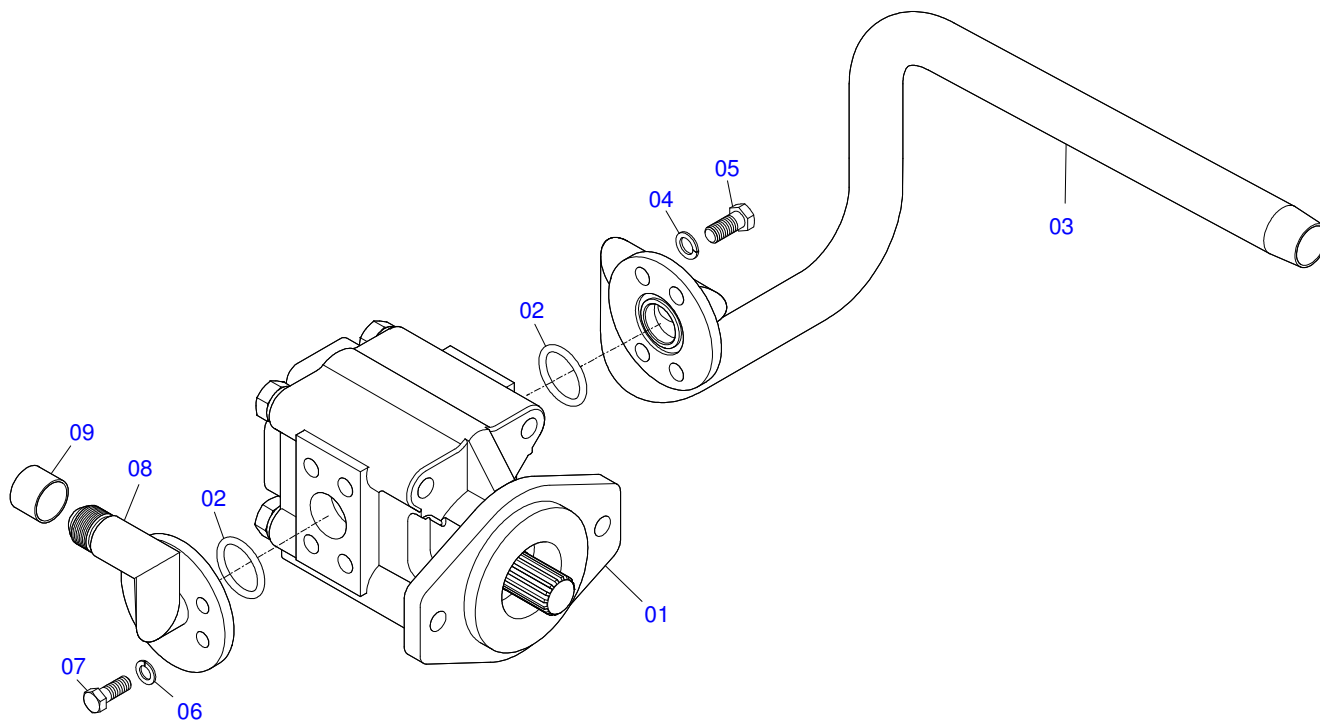


| Item | Code | Description | QT |
|------|------------|---|----|
| 27C | 0501010087 | 1.1/4" NUT | 04 |
| 28 | 0561010051 | HEADLIGHT SUPPORT - PCA MF 291/4 ADV 2008 | 02 |
| 29 | 0501068213 | 5/8" WRENCH DOUBLE | 01 |
| 30 | 0501061617 | 1" GANG BOLT WRENCH | 01 |
| 31 | 0511010153 | 2-5/16" FIXED WRENCH | 01 |
| 32 | 0501059951 | SET OF HOSES - PD MF SHT 4275/4283-4 | 01 |
| 33 | 0511064563 | HOSE PROTECTION | 01 |
| 34 | 0502012702 | BODY SUPPORT CLAMP | 03 |
| 35 | 0521063340 | ANGULAR SUPPORT WITH SLEEVE - PD | 02 |
| 36 | 0501039832 | PACKAGED PARTS IN PLASTIC BAG | 01 |

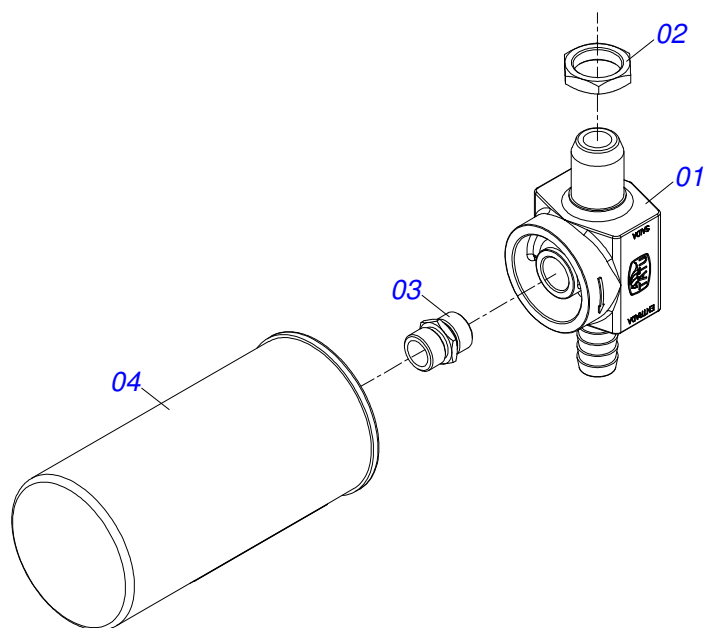
OIL RESERVOIR ASSY



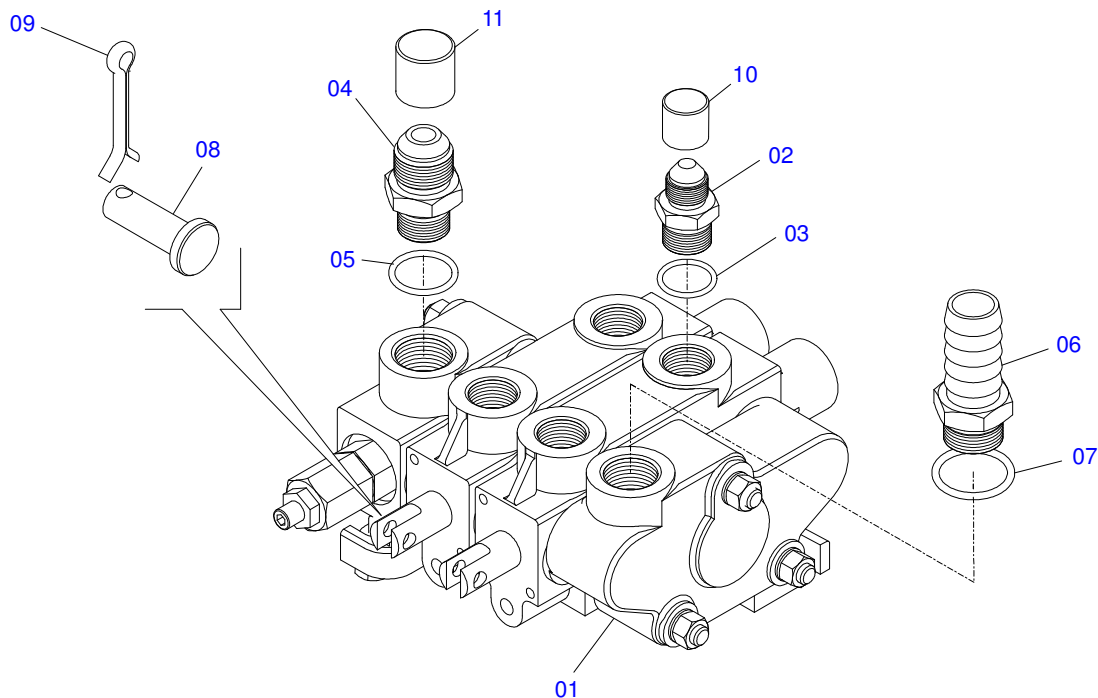
| Item | Code | Description | QT |
|------|------------|------------------------|----|
| 01 | 0501068685 | OIL RESERVOIR | 01 |
| 02 | 0503030044 | FILTERING ELEMENT | 01 |
| 03 | 0501060975 | OIL GAGE | 01 |
| 04 | 0503010185 | 2-221 N 3006-9B O'RING | 01 |
| 05 | 0502020472 | FRONTAL COVER | 01 |
| 06 | 0503031604 | 1/2" BSP PLUG | 01 |
| 07 | 0501016309 | 2" 1X 2.5/16" NUT | 01 |
| 08 | 0503010046 | 2-216 N 3006-9B O'RING | 01 |



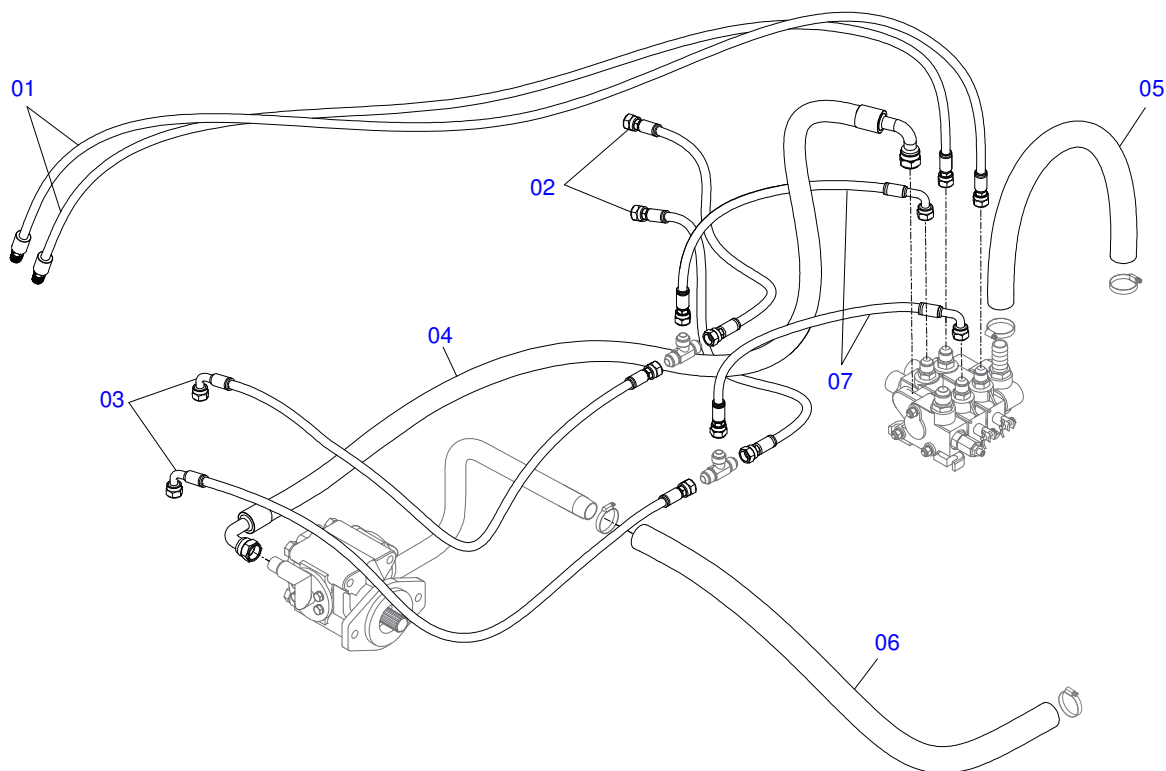
| Item | Code | Description | QT |
|------|------------|------------------------------------|----|
| 01 | 0503061770 | PUMP WITH TUBE | 01 |
| 02 | 0503010173 | 2-220 N 3006-9B O'RING | 02 |
| 03 | 0521061552 | PUMP SUCTION DUCT - MF 4292/4283-4 | 01 |
| 04 | 0503010180 | 7/16" SPRING WASHER | 04 |
| 05 | 0503010355 | 7/16" X 1" BOLT | 04 |
| 06 | 0503010025 | 3/8 SPRING WASHER | 04 |
| 07 | 0503011087 | 3/8" X 1" BOLT | 04 |
| 08 | 0501069661 | PUMP PRESSURE TUBE | 01 |
| 09 | 0503030388 | PLUG N-005 | 01 |



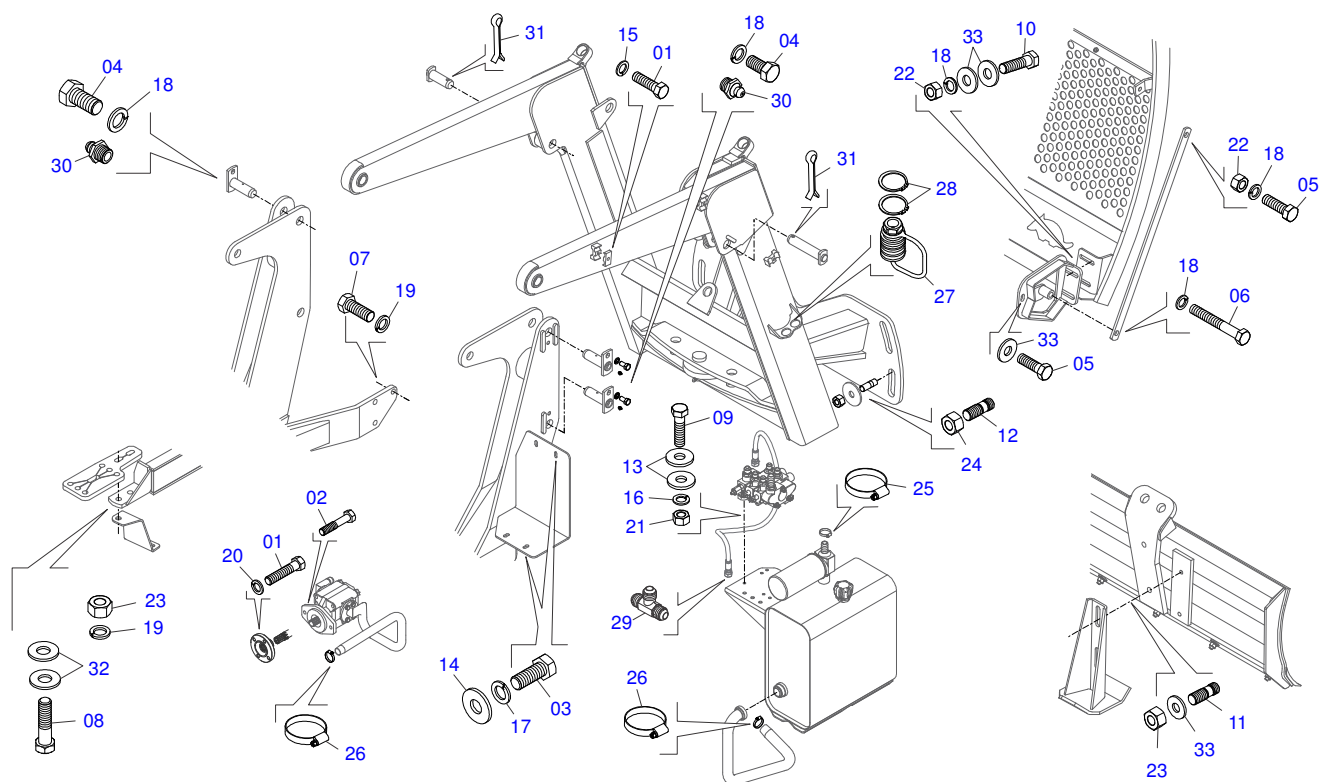
| Item | Code | Description | QT |
|------|------------|-----------------------|----|
| 01 | 0502050002 | RETURNING FILTER HEAD | 01 |
| 02 | 0501010594 | 1" NUT | 01 |
| 03 | 0501010595 | 1" NF NIPPLE | 01 |
| 04 | 0503010183 | RETURNING FILTER | 01 |



| Item | Code | Description | QT |
|------|------------|------------------------------------|----|
| 01 | 0503060016 | 1/2"DOUBLE COMMAND | 01 |
| 02 | 0501010590 | 7/8" REDUCTION NIPPLE | 04 |
| 03 | 0503010045 | 2-116 N 3006-9B O'RING | 04 |
| 04 | 0501010589 | R. 1.1/16UN SEXT 1.1/4 X 52 NIPPLE | 01 |
| 05 | 0503011109 | 2-119 N 3006-9B O'RING | 01 |
| 06 | 0501010591 | HOSE NIPPLE | 01 |
| 07 | 0503011109 | 2-119 N 3006-9B O'RING | 01 |
| 08 | 0521010533 | 0.3" X 1" COUPLING SHAFT | 02 |
| 09 | 0503010140 | 1/8" X 3/4" COTTERPIN | 02 |
| 10 | 0503030387 | PLUG | 04 |
| 11 | 0503030388 | PLUG N-005 | 01 |



| Item | Code | Description | QT |
|------|------------|-------------------------|----|
| 01 | 0501080245 | 1/2 X 2800 HOSE TR-TM | 02 |
| 02 | 0501080195 | HOSE 1/2 X 950 | 02 |
| 03 | 0501080062 | 1/2 X 2000 TR-TC HOSE | 02 |
| 04 | 0501080626 | 3/4 X 2900 TR-TC HOSE | 01 |
| 05 | 0501013378 | 1' X 25.59" HOSE CLAMP | 01 |
| 06 | 0501081710 | 1.1/4 X 1370 AB-AB HOSE | 01 |
| 07 | 0501080010 | 1/2 X 1000 TR-TC HOSE | 02 |



| Item | Code | Description | QT |
|------|------------|---------------------------------|----|
| 01 | 0503012555 | 7/16" X 2" BOLT | 07 |
| 02 | 0503011172 | 1/2" X 2-1/2" BOLT | 02 |
| 03 | 0501010161 | 1/2" X 1.1/4" BOLT | 04 |
| 04 | 0503010962 | 5/8" X 1-1/4" BOLT | 04 |
| 05 | 0501010100 | 5/8 UNC X 2 C S G.5 BOLT | 02 |
| 06 | 0501010163 | 5/8" X 4-1/2" BOLT | 02 |
| 07 | 0501010098 | HEX BOLT 3/4 UNC X 2 C S G.5 ZN | 06 |
| 08 | 0501010500 | 3/4"X3"BOLT | 04 |
| 09 | 0503010849 | 3/8" X 1-1/2" BOLT | 03 |
| 10 | 0503010233 | 5/8" X 2-1/2" BOLT | 04 |
| 11 | 0561016756 | 3/4 UNC X 3/4 UNC X 56 PRISONER | 04 |
| 12 | 0561016755 | PRISONER 1 UNC X 1 UNC X 76 ZN | 04 |
| 13 | 0501010984 | FLAT WASHER | 05 |
| 14 | 0511017302 | FLAT WASHER | 04 |
| 15 | 0503010180 | 7/16" SPRING WASHER | 03 |
| 16 | 0503010025 | 3/8 SPRING WASHER | 05 |
| 17 | 0503010019 | 1/2" SPRING WASHER | 06 |
| 18 | 0503010027 | SPRING WASHER | 16 |
| 19 | 0503010023 | SPRING WASHER | 12 |
| 20 | 0503010180 | 7/16" SPRING WASHER | 04 |
| 21 | 0503010026 | 3/8" NUT | 05 |
| 22 | 0503010013 | 5/8" NUT | 08 |
| 23 | 0503010014 | 3/4" NUT | 08 |
| 24 | 0501010059 | 1.5/8 NUT | 04 |
| 25 | 0503010184 | CLAMP | 02 |
| 26 | 0503010243 | CLAMP | 02 |
| 27 | 0501053835 | FEMALE QUICK COUPLER | 02 |
| 28 | 0503010217 | 501040 CLAMPING RING (FOR AXLE) | 04 |
| 29 | 0503013493 | T CONNECTION MALE | 02 |
| 30 | 0503010002 | 1800 GREASE FITTING | 08 |
| 31 | 0503010534 | 3/8 X 2-1/2 COTTERPIN | 02 |
| 32 | 0501010322 | FLAT WASHER | 12 |
| 33 | 0501012140 | FLAT WASHER | 14 |



MARCHESAN IMPLEMENTOS E MÁQUINAS AGRÍCOLAS TATU S.A.

AV. Marchesan, 1979 - Post office box, 131 - CEP 15994-900 - Matão - SP - Brazil

Phone +55 16.3382-8282

(FAX Parts) + 55 16.3382. 8297 - (Export) + 55 16.3382.1003

e.mail: tatu@marchesan.com.br www.marchesan.com.br

Technical Publications: Elaboration

JOÃO VIRGINIO ROCHA

Technical Publications: Revision

JOSÉ DOMINGOS GASPARI

Contact Catálogo:

E-mail = jgaspari@marchesan.com.br

**ORIGINAL PARTS
TATU**

