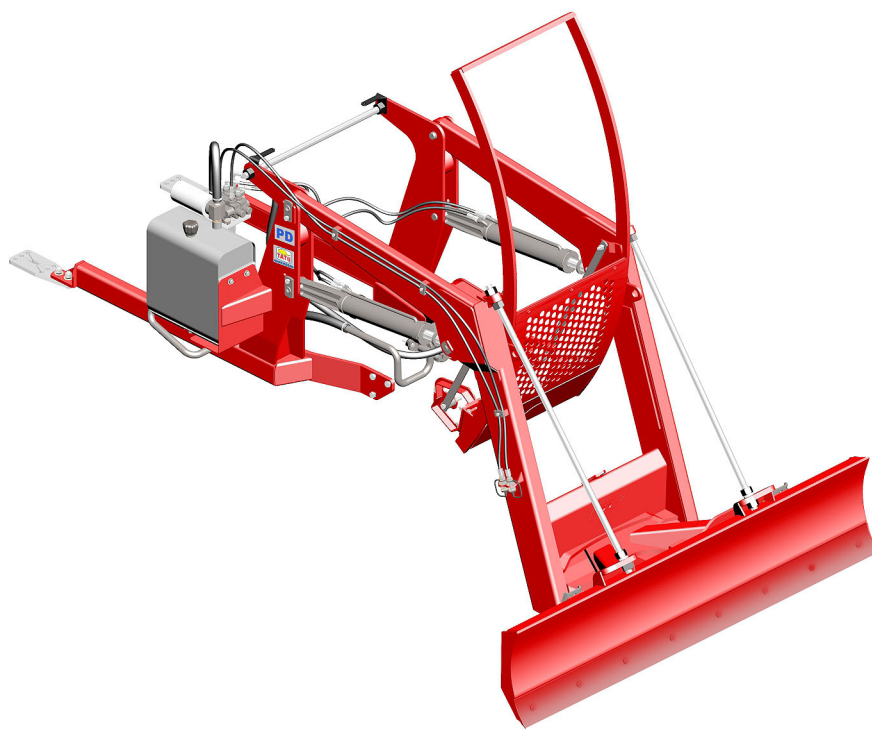


PARTS CATALOG

PD - FRONT LOADER

**PD MF 4265/4275/4283-4 SHT CD
PA MPK GAL**

Code: 0501092073



Series: S-0313

Review: NOVEMBRO/2017

**ORIGINAL PARTS
TATU**



PRODUCTS

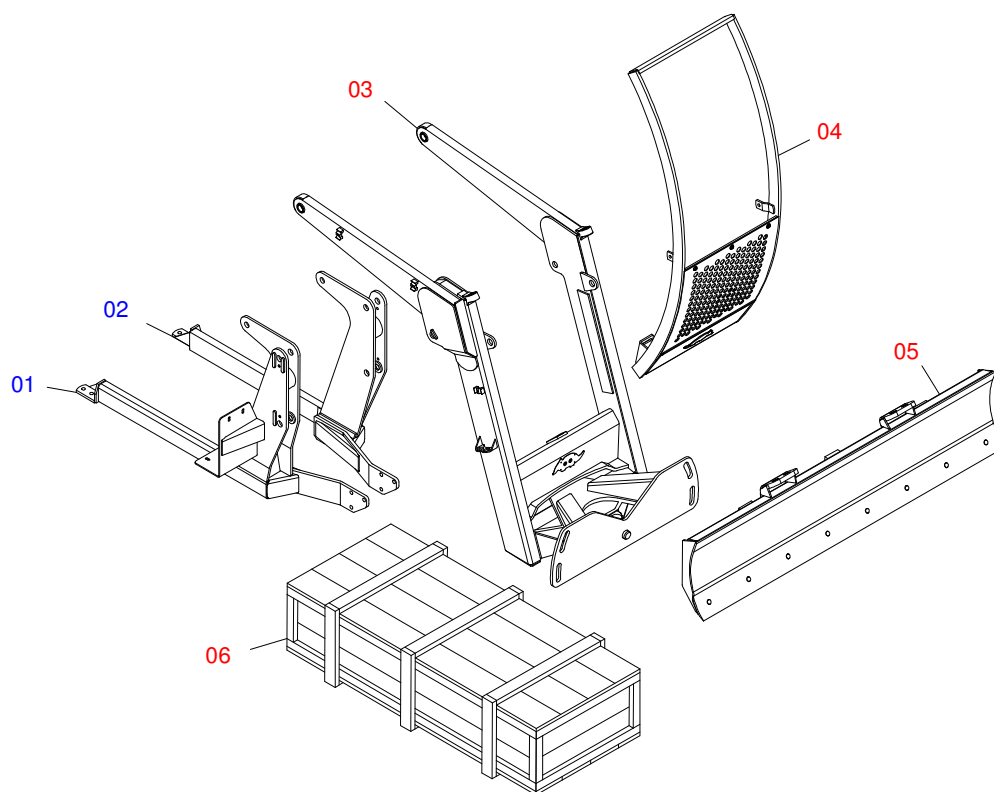
Code	Description
0106030421	PD MF 4265/4275/4283 - 4 SHT CD PA MPK GAL

ATTENTION: **IMPORTANT**

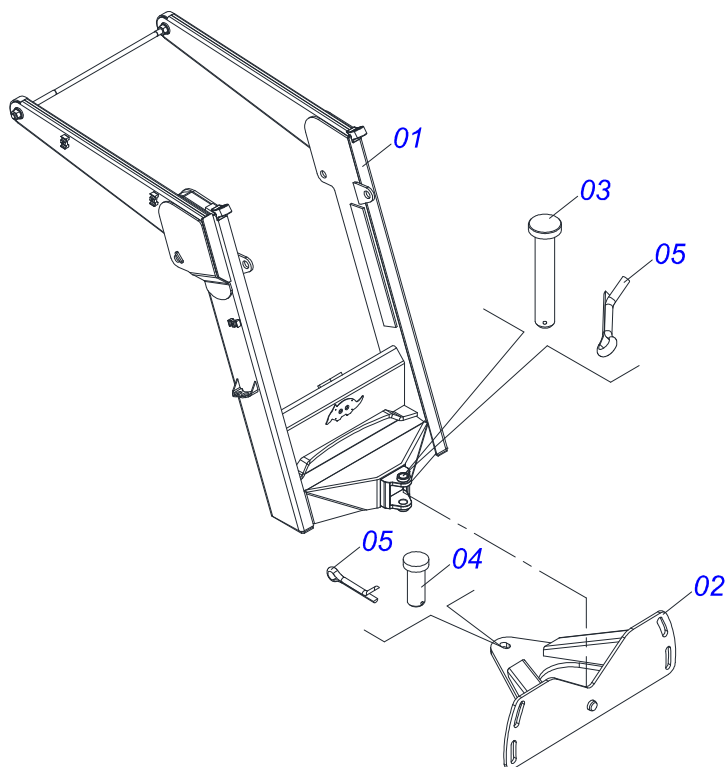
MARCHESAN S/A RESERVES THE RIGHT AT ANY TIME TO MAKE IMPROVEMENTS IN THE DESIGN, MATERIAL OR SPECIFICATIONS OF MACHINERY, EQUIPMENT OR PARTS WITHOUT THEREBY BECOMING LIABLE TO MAKE SIMILAR CHANGES IN MACHINERY, EQUIPMENT OR PARTS PREVIOUSLY SOLD.

INDEX

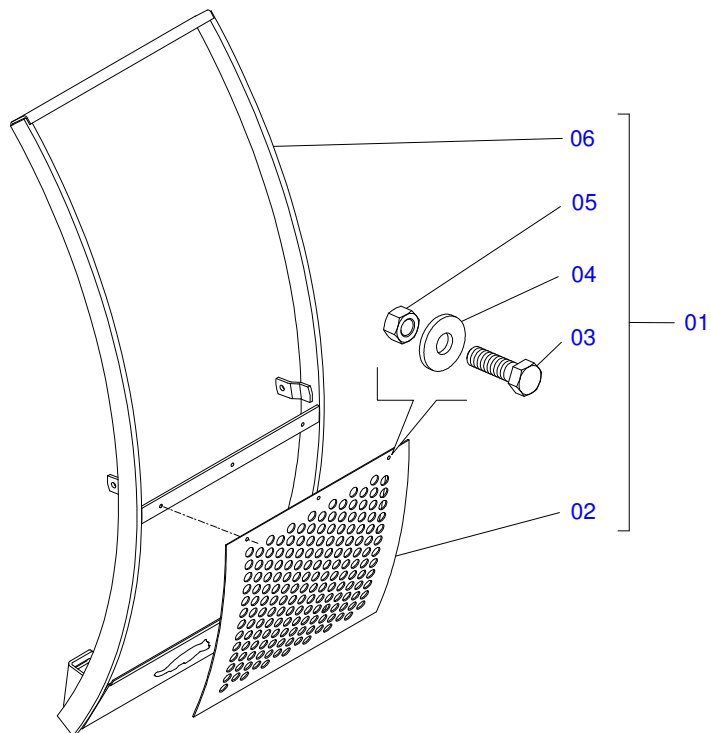
0106030421	PD MF 4265/4275/4283 - 4 SHT CD PA MPK GAL	1
0511049953	MOBILE FULL SUPPORT PD VTR A950	2
0511049956	MOBILE SUPPORT GUIDE ASSY	3
0501047708	2400 BLADE SUPPORT	4
0511028072	BOX WITH COMPONENTS - PD MF4283-4 SHTCD PA MPK	5
0501047575	OIL RESERVOIR ASSY	6
0501059935	PUMP WITH SUCTION AND PRESSURE DUCTS - MF 4292-4	7
0501041108	RETURNING FILTER ASSY	8
0501059952	DOBLE COMMAND 1/2 HIDROV/DANFOSS ASSY	9
0501059951	SET OF HOSES - PD MF SHT 4275/4283-4	10
0501039832	PACKAGED PARTS IN PLASTIC BAG	11



Item	Code	Description	QT
01	0521061631	RIGHT FRAME - SHT PD MF 4275-4 S-0510	01
02	0521061633	LEFT FRAME - PD MF 4275/4291-4 S-0510	01
03	0511049953	MOBILE FULL SUPPORT PD VTR A950	01
04	0511049956	MOBILE SUPPORT GUIDE ASSY	01
05	0501047708	2400 BLADE SUPPORT	01
06	0511028072	BOX WITH COMPONENTS - PD MF4283-4 SHTCD	01

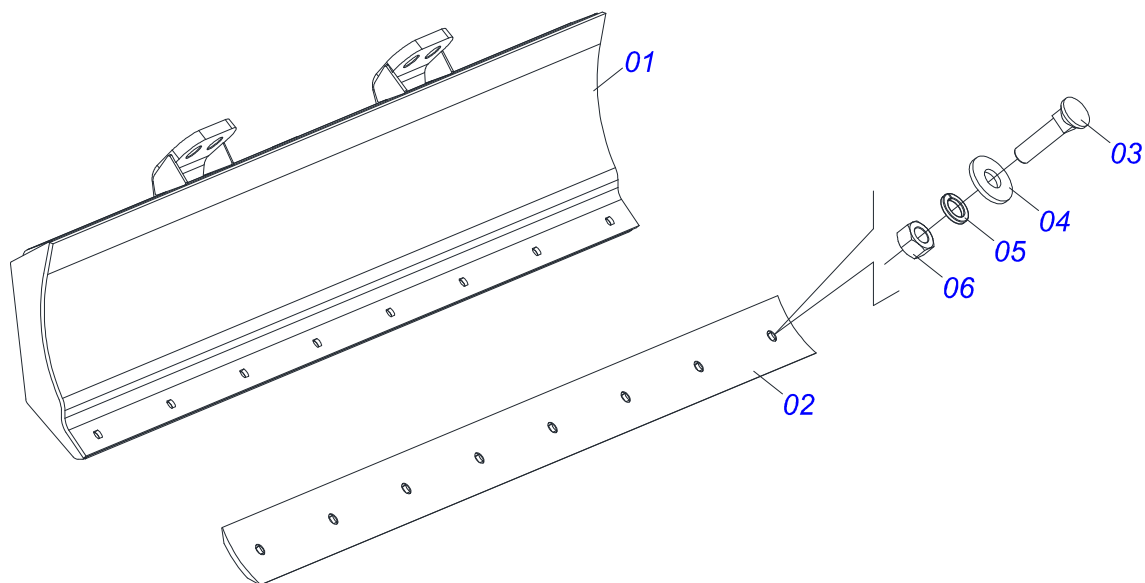


Item	Code	Description	QT
01	0521062701	MOBILE SUPPORT - PD VTR A950	01
02	0501062637	5/8" REGULATOR SUPPORT	01
03	0521010618	1.4" X 8.6" COUPLING SHAFT	01
04	0521010612	1.4" X 3.5" COUPLING SHAFT	01
05	0503010010	1/4" X 2.1/2" COTTERPIN	02

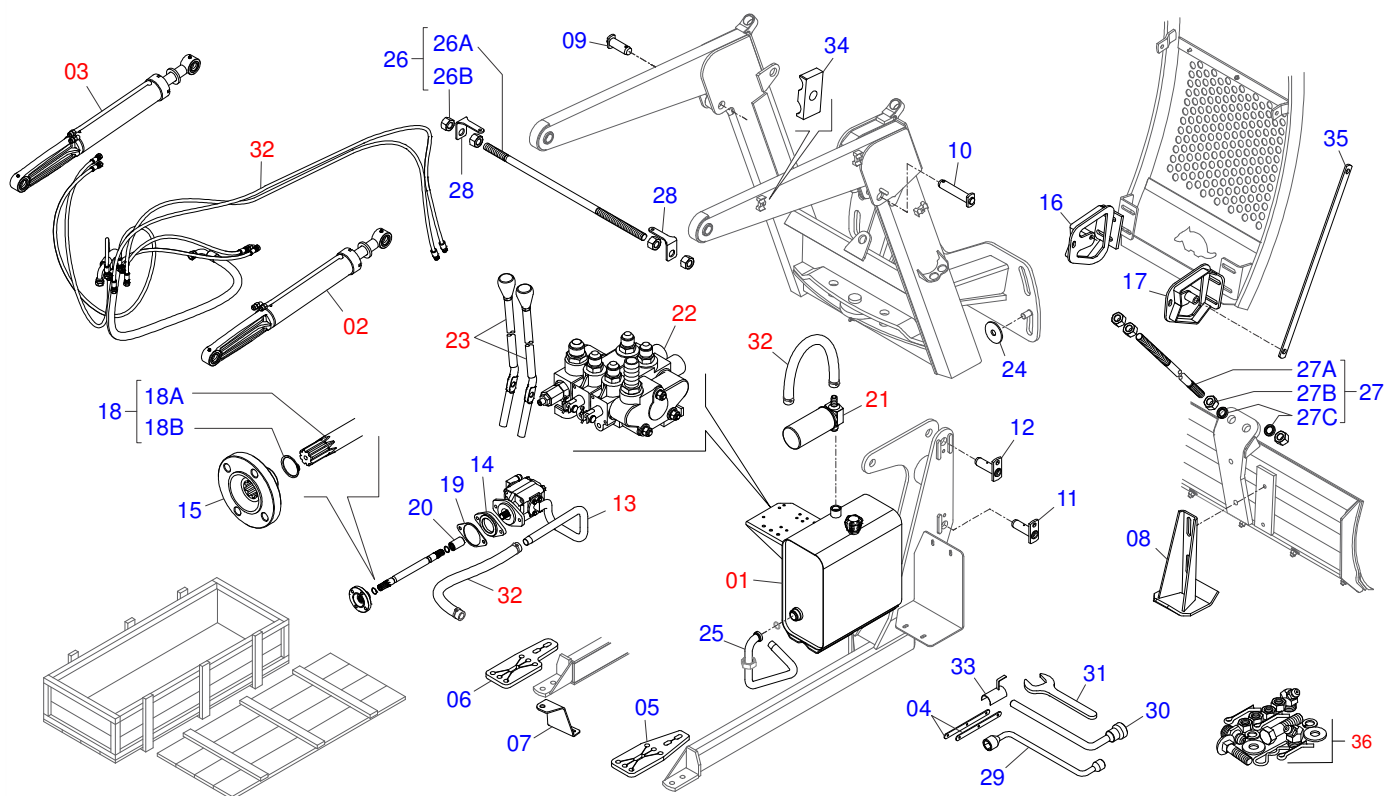


Item	Code	Description	QT
01	0511049956	MOBILE SUPPORT GUIDE ASSY	01
02	0501017431	FRONT PROTECTION	01
03	0503010751	C3/8" X 1.1/4" HEX BOLT G.5	03
04	0501010984	FLAT WASHER	03
05	0503010026	3/8" NUT	03
06	0521062696	GUIDE SUPPORT MOBILE	01

2400 BLADE SUPPORT



Item	Code	Description	QT
01	0501067999	2390 BLADE SUPPORT	01
02	0622360016	94.5" SCRAPER REVERSIBLE	01
03	0501012240	5/8" X 2-1/2" BOLT	08
04	0501012140	FLAT WASHER	08
05	0503011445	SPRING WASHER	08
06	0503010013	5/8" NUT	08



Item	Code	Description	QT
01	0501047575	OIL RESERVOIR ASSY	01
02	0501046992	HYDRAULIC CYLINDER	01
03	0501046993	HYDRAULIC CYLINDER	01
04	0561016347	FASTENING SUPPORT RADIATOR PROTECTION	02
05	0561016408	FRAME BRACKET	01
06	0571013046	BRACKET	01
07	0561016418	SUPPORT TANK OIL	01
08	0501063411	ESTABILIZER BRACKET	02
09	0521063354	COUPLING SHAFT	01
10	0521063358	37,20 X 161 JOINT AXIS - PD VTR A950	01
11	0501063960	37,2 X 130 PIVOT SHAFT LOCK	02
12	0501063751	1.5" X 5.5" PIVOT SHAFT	02
13	0501059935	PUMP WITH SUCTION AND PRESSURE DUCTS - MF	01
14	0521012242	SUPPORT ADAPTER	01
15	0561016816	120 X 50 ESTR 1.1/8" - COUPLING FLANGE	01
16	0521061644	LEFT GUIDE MOVEL SUPPORT - PD MF 4292-4	01
17	0521061643	MOBILE SUPPORT RIGHT GUIDE - PD MF 4292-4	01
18	0501057540	AXIS 385 X 1.1/8 EST1.1/8-30G WITH RING	01
18A	0501068938	15" X 1.1/8 AXLE STRIATED	01
18B	0503010174	501028 CLAMPING RING (FOR AXLE)	02
19	0561016191	SHIM - PD 4292-4	02
20	0503030838	1-1/8" X 2.4" SLEEVE	01
21	0501041108	RETURNING FILTER ASSY	01
22	0501059952	DOBLE COMMAND 1/2 HIDROV/DANFOSS ASSY	01
23	0501048023	CONTROL VALVE	02
24	0501010574	FLAT WASHER	04
25	0521061677	TANK SUCTION DUCT - PCA/PD	01
26	0511043351	1.1/4" X 40" ROD	01
26A	0541015018	ROD 1.1/4 NC X 1000 PCA-T 1750	01
26B	0501010087	1.1/4" NUT	04
27	0501041427	1.1/4" NC X 1540 ROD	02
27A	0501014250	1.1/4" X 1540 ROD	01
27B	0502012180	CONICAL SPRING WASHER	02

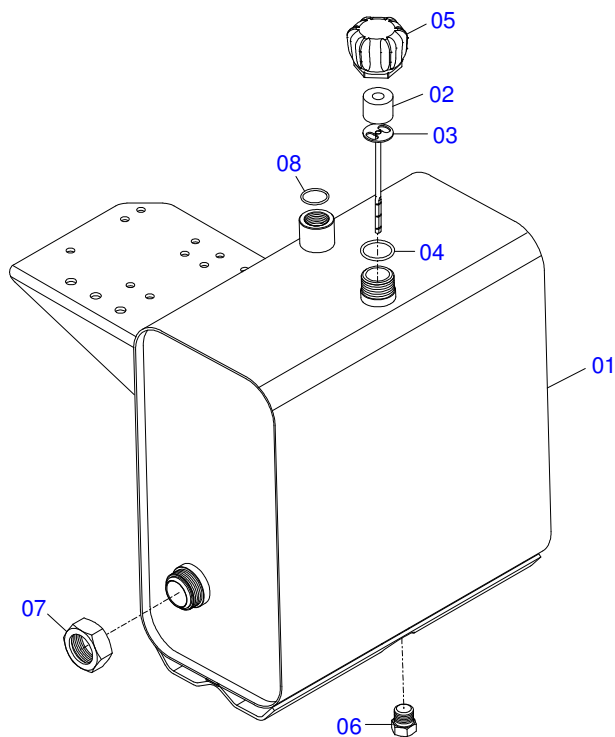


PD MF 4265/4275/4283-4 SH TCD PA MPK GAL
BOX WITH COMPONENTS - PD MF4283-4 SHTCD PA MPK

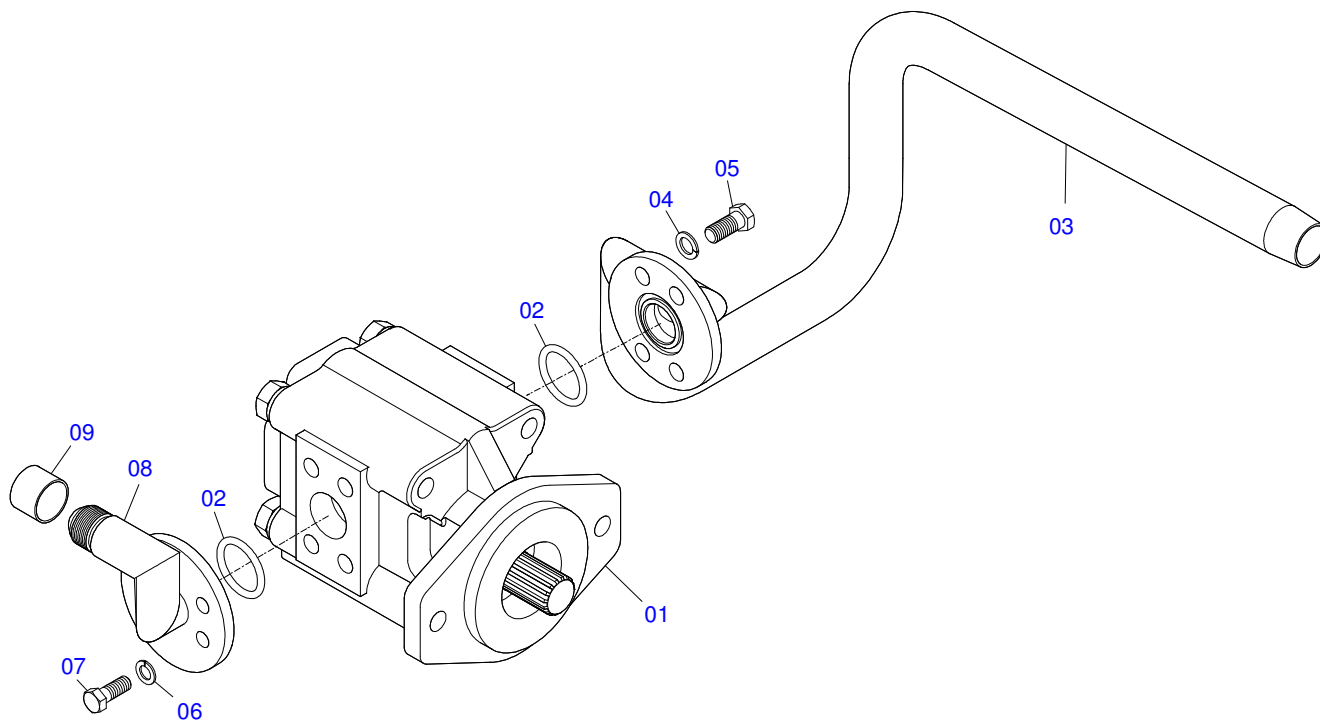
Page 5
0511028072

Item	Code	Description	QT
27C	0501010087	1.1/4" NUT	04
28	0561010051	HEADLIGHT SUPPORT - PCA MF 291/4 ADV 2008	02
29	0501068213	5/8" WRENCH DOUBLE	01
30	0501061617	1" GANG BOLT WRENCH	01
31	0511010153	2-5/16" FIXED WRENCH	01
32	0501059951	SET OF HOSES - PD MF SHT 4275/4283-4	01
33	0511064563	HOSE PROTECTION	01
34	0502012702	BODY SUPPORT CLAMP	03
35	0521063340	ANGULAR SUPPORT WITH SLEEVE - PD	02
36	0501039832	PACKAGED PARTS IN PLASTIC BAG	01

OIL RESERVOIR ASSY

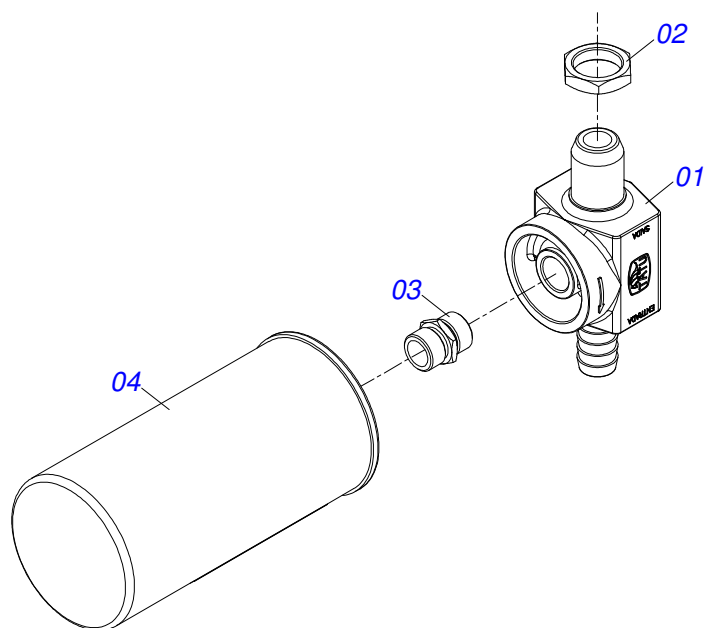


Item	Code	Description	QT
01	0501068685	OIL RESERVOIR	01
02	0503030044	FILTERING ELEMENT	01
03	0501060975	OIL GAGE	01
04	0503010185	2-221 N 3006-9B O'RING	01
05	0502020472	FRONTAL COVER	01
06	0503031604	1/2" BSP PLUG	01
07	0501016309	2" 1X 2.5/16" NUT	01
08	0503010046	2-216 N 3006-9B O'RING	01

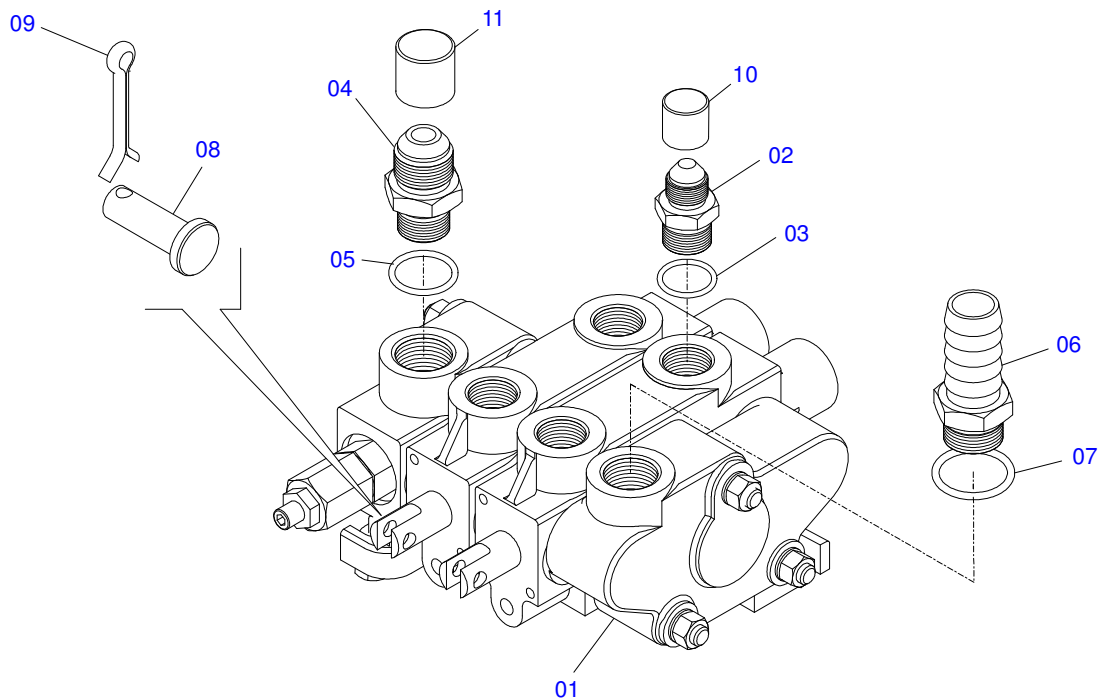


Item	Code	Description	QT
01	0503061770	PUMP WITH TUBE	01
02	0503010173	2-220 N 3006-9B O'RING	02
03	0521061552	PUMP SUCTION DUCT - MF 4292/4283-4	01
04	0503010180	7/16" SPRING WASHER	04
05	0503010355	7/16" X 1" BOLT	04
06	0503010025	3/8 SPRING WASHER	04
07	0503011087	3/8" X 1" BOLT	04
08	0501069661	PUMP PRESSURE TUBE	01
09	0503030388	PLUG N-005	01

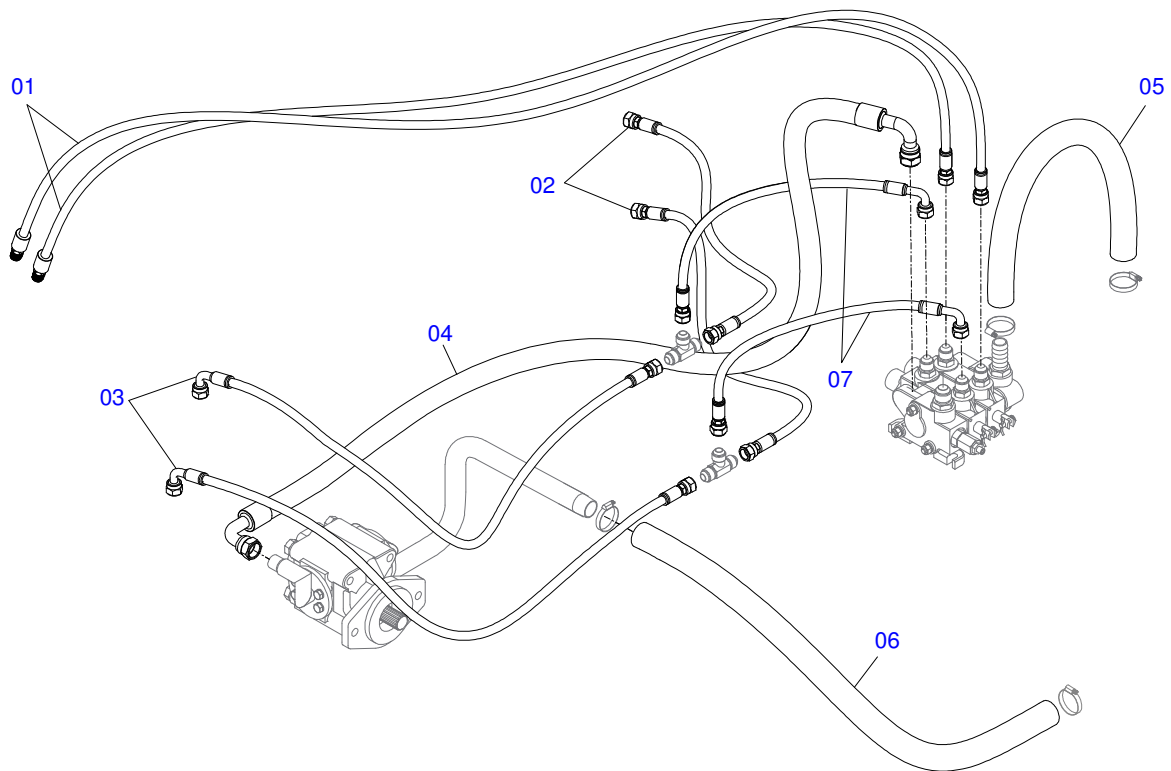
RETURNING FILTER ASSY



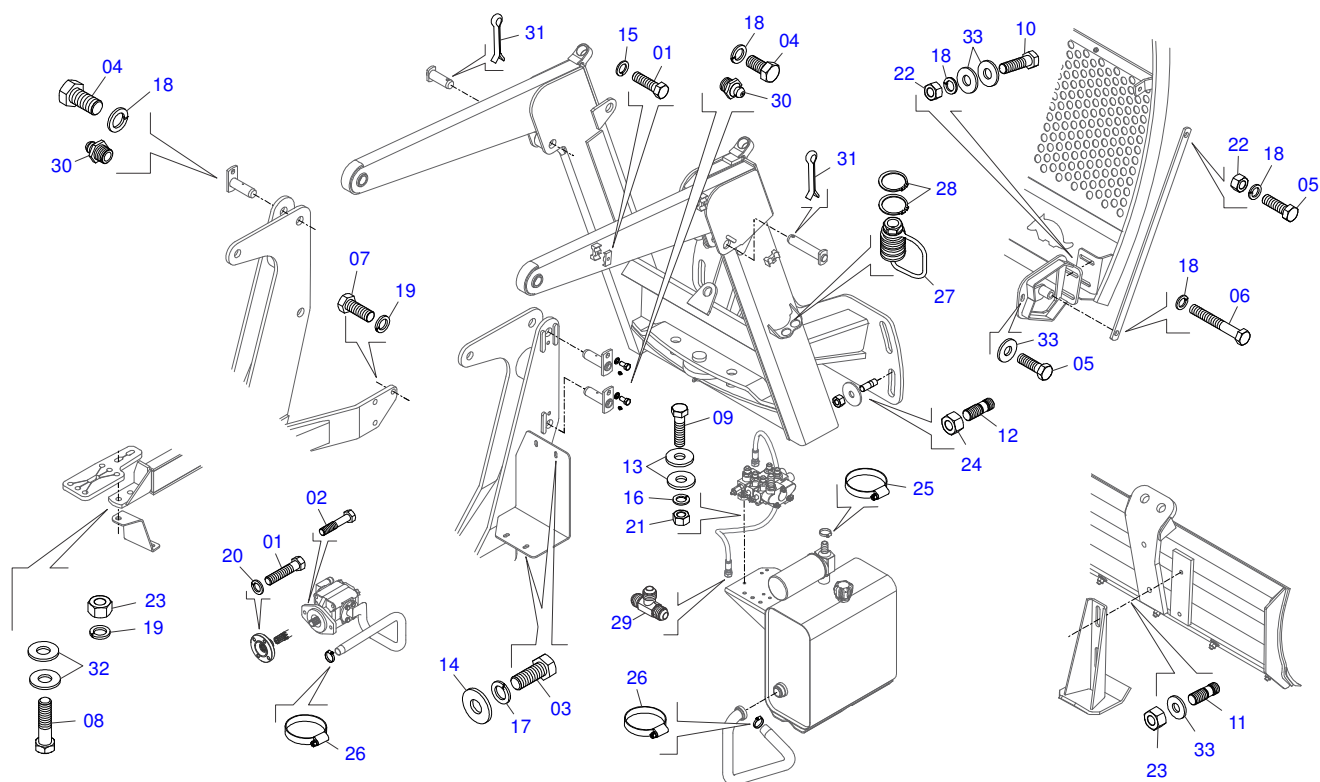
Item	Code	Description	QT
01	0502050002	RETURNING FILTER HEAD	01
02	0501010594	1" NUT	01
03	0501010595	1" NF NIPPLE	01
04	0503010183	RETURNING FILTER	01



Item	Code	Description	QT
01	0503060016	1/2"DOUBLE COMMAND	01
02	0501010590	7/8" REDUCTION NIPPLE	04
03	0503010045	2-116 N 3006-9B O'RING	04
04	0501010589	R. 1.1/16UN SEXT 1.1/4 X 52 NIPPLE	01
05	0503011109	2-119 N 3006-9B O'RING	01
06	0501010591	HOSE NIPPLE	01
07	0503011109	2-119 N 3006-9B O'RING	01
08	0521010533	0.3" X 1" COUPLING SHAFT	02
09	0503010140	1/8" X 3/4" COTTERPIN	02
10	0503030387	PLUG	04
11	0503030388	PLUG N-005	01



Item	Code	Description	QT
01	0501080245	1/2 X 2800 HOSE TR-TM	02
02	0501080195	HOSE 1/2 X 950	02
03	0501080062	1/2 X 2000 TR-TC HOSE	02
04	0501080626	3/4 X 2900 TR-TC HOSE	01
05	0501013378	1' X 25.59" HOSE CLAMP	01
06	0501081710	1.1/4 X 1370 AB-AB HOSE	01
07	0501080010	1/2 X 1000 TR-TC HOSE	02



Item	Code	Description	QT
01	0503012555	7/16" X 2" BOLT	07
02	0503011172	1/2" X 2-1/2" BOLT	02
03	0501010161	1/2" X 1.1/4" BOLT	04
04	0503010962	5/8" X 1-1/4" BOLT	04
05	0501010100	5/8 UNC X 2 C S G.5 BOLT	02
06	0501010163	5/8" X 4-1/2" BOLT	02
07	0501010098	HEX BOLT 3/4 UNC X 2 C S G.5 ZN	06
08	0501010500	3/4"X3"BOLT	04
09	0503010849	3/8" X 1-1/2" BOLT	03
10	0503010233	5/8" X 2-1/2" BOLT	04
11	0561016756	3/4 UNC X 3/4 UNC X 56 PRISONER	04
12	0561016755	PRISONER 1 UNC X 1 UNC X 76 ZN	04
13	0501010984	FLAT WASHER	05
14	0511017302	FLAT WASHER	04
15	0503010180	7/16" SPRING WASHER	03
16	0503010025	3/8 SPRING WASHER	05
17	0503010019	1/2" SPRING WASHER	06
18	0503010027	SPRING WASHER	16
19	0503010023	SPRING WASHER	12
20	0503010180	7/16" SPRING WASHER	04
21	0503010026	3/8" NUT	05
22	0503010013	5/8" NUT	08
23	0503010014	3/4" NUT	08
24	0501010059	1.5/8 NUT	04
25	0503010184	CLAMP	02
26	0503010243	CLAMP	02
27	0501053835	FEMALE QUICK COUPLER	02
28	0503010217	501040 CLAMPING RING (FOR AXLE)	04
29	0503013493	T CONNECTION MALE	02
30	0503010002	1800 GREASE FITTING	08
31	0503010534	3/8 X 2-1/2 COTTERPIN	02
32	0501010322	FLAT WASHER	12
33	0501012140	FLAT WASHER	14



MARCHESAN IMPLEMENTOS E MÁQUINAS AGRÍCOLAS TATU S.A.

AV. Marchesan, 1979 - Post office box, 131 - CEP 15994-900 - Matão - SP - Brazil

Phone +55 16.3382-8282

(FAX Parts) + 55 16.3382. 8297 - (Export) + 55 16.3382.1003

e.mail: tatu@marchesan.com.br www.marchesan.com.br

Technical Publications: Elaboration

JOÃO VIRGINIO ROCHA

Technical Publications: Revision

JOSÉ DOMINGOS GASPARI

Contact Catálogo:

E-mail = jgaspari@marchesan.com.br

**ORIGINAL PARTS
TATU**

