

# PARTS CATALOGUE



## CHASER BIN

**Code:**

0501092064

**Product:**

DCA2 5500 MC CP



**Series:**

S-0405

**Revision:**

00

**Date Revision:**

FEVEREIRO/2021



# PRODUCTS

Code	Description
0109090085	DCA2 5500 MC CP S-0405
0109090094	DCA2 5500 MC CP C/DIRE/EI/TRAS INOX
0109090333	DCA2 5500 MC CP C/DIRE/EI/TRAS INOX PN11L15 S-0405
0109090137	DCA2 5500 MC CP C/PNEUS 11L15 S0405
0109090147	DCA2 5500 MC CP DIR/TRAS/INOX E/CHAP
0109090334	DCA2 5500 MC CP DIR/TRAS/INOX E/CHAP PN11L15 S-405

## ATTENTION: IMPORTANT

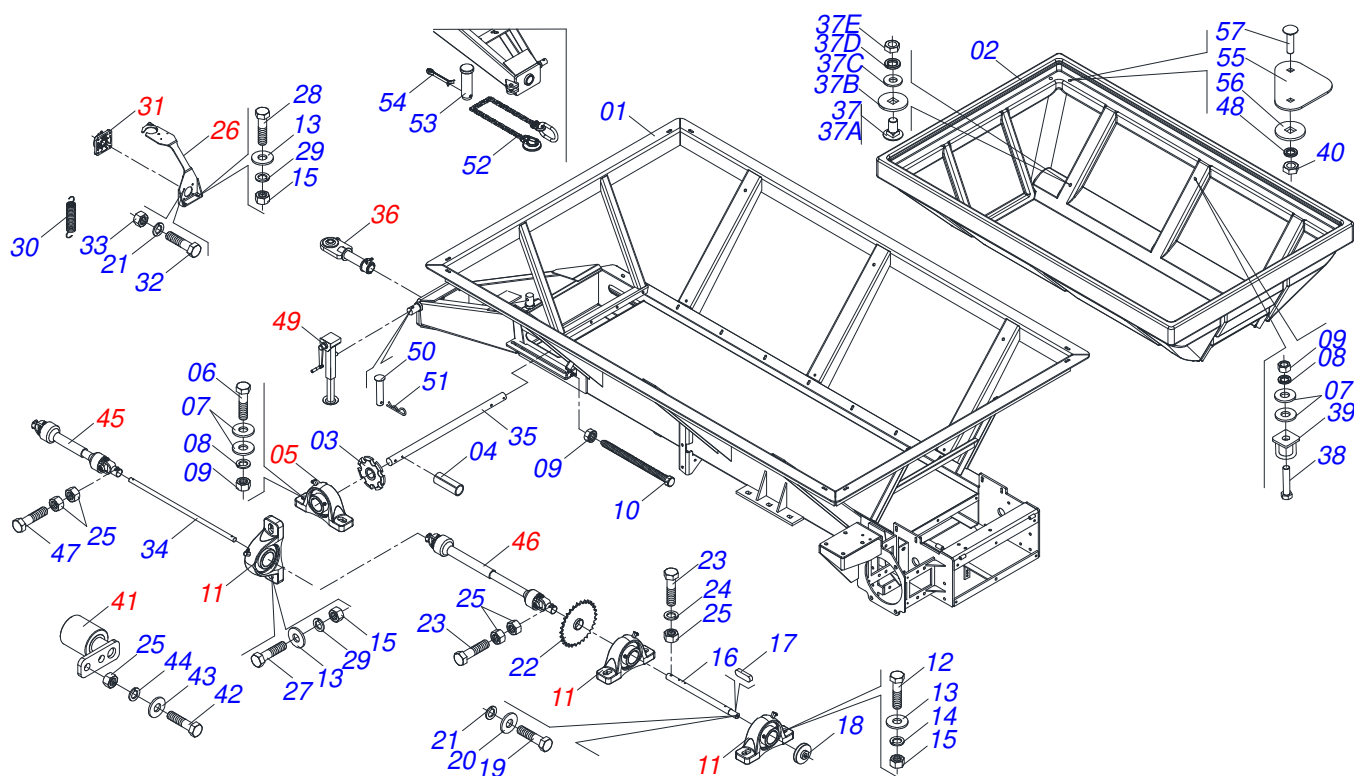
Marchesan S.A. reserves the right to improve and / or modify the technical features of its products, without obligation to do the same with those products already sold and without prior knowledge of the dealer or the consumer.



**MARCHESAN**

# INDEX

0909093614	FRONT - DCA2 5500 MC CP	.....	1
0909093613	REAR - DCA2 5500 MC CP	.....	2
0501044308	AGRICULTURAL BEARING ASSY	.....	3
0511041213	AGRICULTURAL BEARING	.....	4
0521053161	CARDAN SUPPORT WITHOUT SPRING	.....	5
0501044306	BATH BEARING	.....	6
0501050829	CHAIN TENSIONER	.....	7
0501047998	BELL CRANK FIXATION SUPPORT ASSY	.....	8
0501054846	SLUICE VALVE SUPPORT	.....	9
0501048241	DRIVE SHAFT	.....	10
0501048783	DRIVE SHAFT	.....	11
0501047881	AXIS JOINT ASSY	.....	12
0503062157	HEADER JACK	.....	13
0501051782	RIGHT BEARING SUPPORT DISC	.....	14
0501051783	LEFT BEARING SUPPORT DISC	.....	15
0501051972	DISTRIBUTOR RIGHT DISC ASSY	.....	16
0501051973	DISTRIBUTOR LEFT DISC ASSY	.....	17
0501047985	REDUCER	.....	18
0501051142	CARRYING WHEEL HUB	.....	19
0503060206	29.5"X0.6"- 10L WHEEL AND TIRE ASSY	.....	20
0503060181	WHEEL AND TIRE	<b>(OPTIONAL)</b> .....	21
0909094172	REAR INOX	.....	22
0511045071	ASSY GUIDE STEINLESS STEEL	.....	23
0511048904	DRIVE THE TRANSPORT	.....	24
0501057105	DISTRIBUTOR LEFT DISC ASSY	.....	25
0501057104	DISTRIBUTOR RIGHT DISC ASSY	.....	26

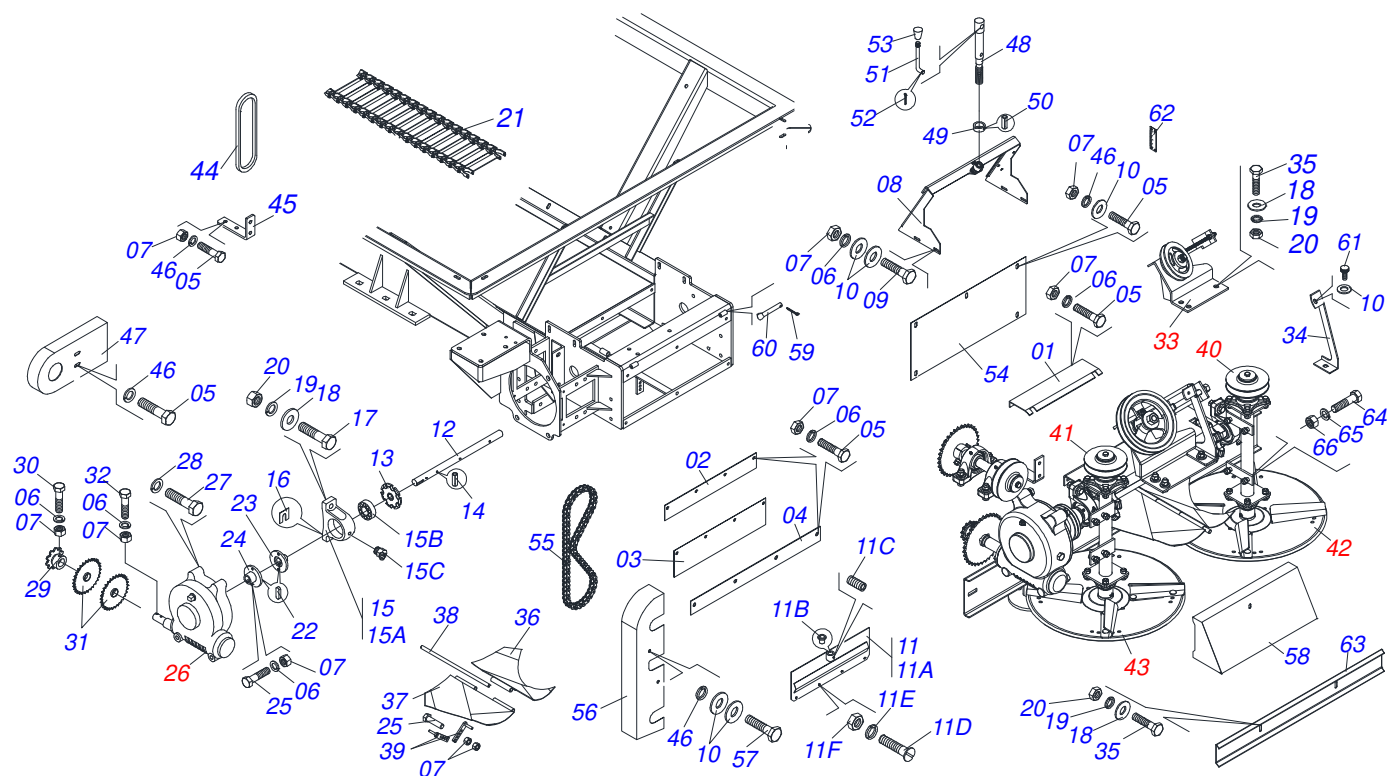


Item	Code	Description	See page	QT
01	0511067200	FRAME		01
02	0503032119	FERTILIZER HOUSING		01
03	0502040728	7Z GEAR		02
04	0503010361	SPRING PIN		02
05	0501044308	AGRICULTURAL BEARING ASSY	3	02
06	0503010899	5/8" X 2-1/4" BOLT		04
07	0501012140	FLAT WASHER		14
08	0503010027	5/8" SPRING WASHER		10
09	0503010013	5/8" NUT		12
10	0501067853	ROD STABILIZER		02
11	0511041213	AGRICULTURAL BEARING	4	03
12	0503010740	BOLT 1/2 UNC X 2 CS G.5 ZN		06
13	0511017302	FLAT WASHER		11
14	0503011440	SPRING WASHER		06
15	0503010060	1/2" NUT		10
16	0521011063	TRANSMISSION AXLE		01
17	0501010536	KEYWAY SQUARE		01
18	0502011361	REEL 1C 5.5" X 1.1" PULLEY		01
19	0503010355	7/16" X 1" BOLT		01
20	0511014052	FLAT WASHER		01
21	0503011446	SPRING WASHER		09
22	0501069020	35Z GEAR		01
23	0503011268	3/8" X 2-1/2" BOLT		03
24	0503011443	3/8" SPRING WASHER		01
25	0503010026	3/8" NUT		09
26	0501056885	CARDAN LEVER SUPPORT		01
27	0503010920	1/2" X 1.1/2" BOLT		04
28	0503011082	C1/2" X 1.3/4" SCREW		02
29	0503010019	1/2" SPRING WASHER		04
30	0503030198	0.6" X 2.4" X 0.1" EXTENSION SPRING		01
31	0501044306	BATH BEARING	6	01



DCA2 5500 MC CP  
FRONT - DCA2 5500 MC CP

Item	Code	Description	See page	QT
32	0503011102	BOLT 7/16 UNC X 1.1/4 C S G.5 ZN		04
33	0503010244	7/16" NUT		04
34	0521011192	1800 FRONT DRIVE AXLE		01
35	0511016482	DRIVEN AXLE		01
36	0521057116	FULL HITCH		01
37	0511049955	SET BOX PLASTIC		14
37A	0503013755	3/8" UNC X 3/4" CS BOLT		01
37B	0571010026	FLAT WASHER		01
37C	0503012546	FLAT WASHER		01
37D	0503012535	3/8" SPRING WASHER		01
37E	0503012531	3/8" INOX NUT		01
38	0503010899	5/8" X 2-1/4" BOLT		06
39	0511066716	TRANSPORT SUPPORT		06
40	0503012531	3/8" INOX NUT		14
41	0501050829	CHAIN TENSIONER	7	01
42	0503010237	3/8" X 1" BOLT		22
43	0501010984	FLAT WASHER		20
44	0503010025	3/8" SPRING WASHER		49
45	0501048241	DRIVE SHAFT	10	01
46	0501048783	DRIVE SHAFT	11	01
47	0503010765	3/8" X 3" BOLT		01
48	0503012535	3/8" SPRING WASHER		14
49	0511041259	DRAWBAR JACK ASSY		01
50	0521010549	COUPLING SHAFT		01
51	0503030168	HAIR PIN		01
52	0503013150	1300 X 3/8 CHAIN		01
53	0581011220	COUPLING SHAFT		01
54	0503010131	3/16" X 1-1/2" COTTERPIN		01
55	0541017364	SIDE BOX PLASTIC FIXER		04
56	0541015706	SQUARE FLAT WASHER		06
57	0503012541	3/8" X 1-1/2" BOLT		14

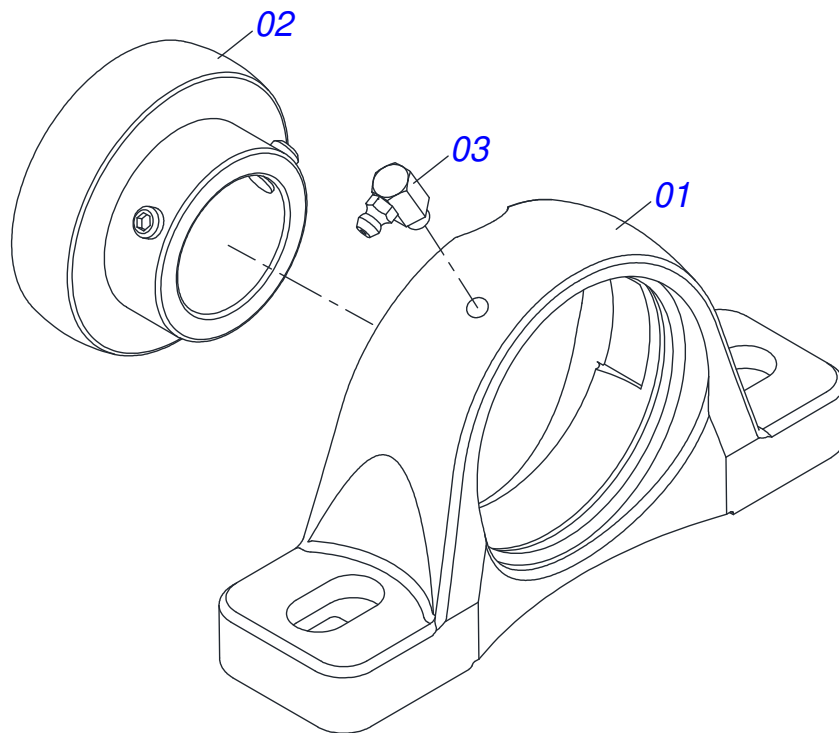


Item	Code	Description	See page	QT
01	0501067379	MAT REAR PROTECTION		01
02	0511014562	PROTECTION SMALLER		02
03	0511011866	PROTECTION LARGER		01
04	0511016575	RUBBER COVER FIXER		03
05	0503010237	3/8" X 1" BOLT		20
06	0503011443	3/8" SPRING WASHER		35
07	0503010026	3/8" NUT		58
08	0501054846	SLUICE VALVE SUPPORT	9	01
09	0503010751	C3/8" X 1.1/4" HEX BOLT G.5		04
10	0501010984	FLAT WASHER		15
11	0501054847	SLUICE VALVE COVER ASSY		01
11A	0501069181	SLUICE VALVE COVER		01
11B	0501019831	ADJUSTING NUT		01
11C	0503011148	3/8" X 1/2" BOLT		01
11D	0503010546	5/16" X 7/8" BOLT		04
11E	0503011444	SPRING WASHER		06
11F	0503010337	5/16" NUT		06
12	0511016481	MOTOR SHAFT		01
12.	0511018406	MOTOR AXLE		01
13	0502040728	7Z GEAR		04
13..	0502011191	GEAR		09
13...	0502011564	GEAR		02
13...	0502011193	GEAR		01
14	0503010361	SPRING PIN		06
15	0501044308	AGRICULTURAL BEARING ASSY	3	02
15A	0502011050	AGRICULTURAL HOUSING BEARING		01
15B	0503011163	1108/UCR BEARING ASSY		01
15C	0503011098	1/4" GREASE FITTING		01
16	0501010794	HIDR CHOCK REGULATOR		04
17	0503010740	BOLT 1/2 UNC X 2 CS G.5 ZN		04
18	0511017302	FLAT WASHER		11



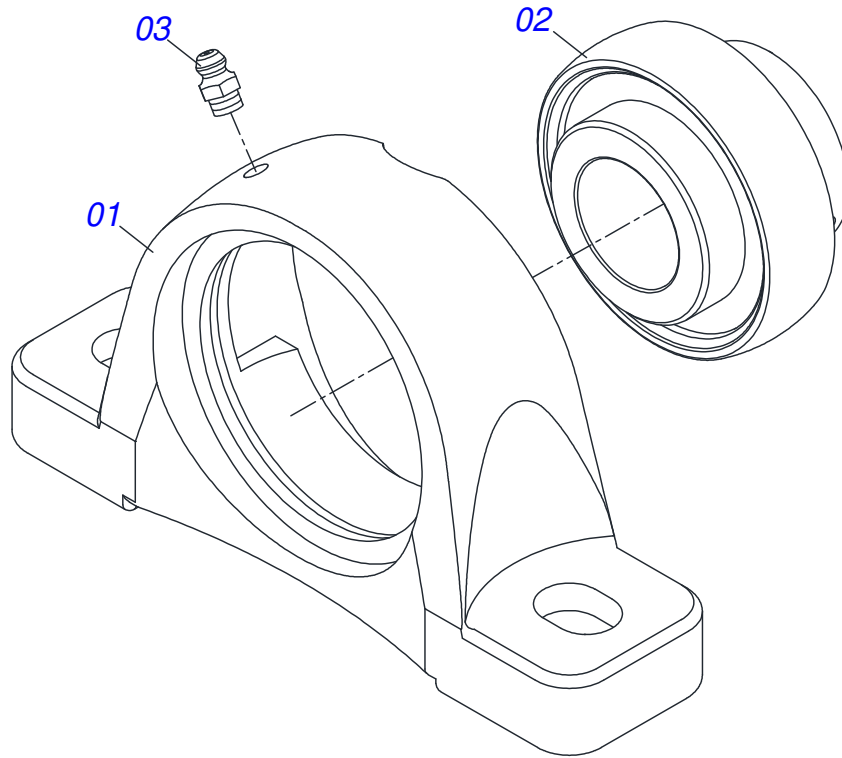
DCA2 5500 MC CP  
REAR - DCA2 5500 MC CP

Item	Code	Description	See page	QT
19	0503011440	SPRING WASHER		11
20	0503010060	1/2" NUT		11
21	0501067591	DRIVE THE FERTILIZER TRANSPORT		01
22	0501010540	KEYWAY SQUARE		02
23	0511016540	MAT COUPLING FLANGE		01
24	0511016541	REDUCTION COUPLING FLANGE		01
25	0503010849	3/8" X 1-1/2" BOLT		03
26	0501047985	REDUCER	18	01
27	0503011167	M16 X 2 X 30 BOLT		04
28	0503011445	SPRING WASHER		04
29	0501069017	12Z GEAR		01
30	0503011268	3/8" X 2-1/2" BOLT		06
31	0501069020	35Z GEAR		02
32	0503011141	3/8" X 2-3/4" BOLT		01
33	0501046802	BELT TENSIONER ASSY		01
34	0511060909	PROTECTION REAR SUPPORT FIXER		01
35	0503010920	1/2" X 1.1/2" BOLT		03
36	0501067203	RIGHT FLOW DIVIDING		01
37	0501067361	LEFT FLOW DIVIDING		01
38	0511016530	TENSIONER OPEN		01
39	0501067368	DIVISOR REGULATOR OPEN		01
40	0501051782	RIGHT BEARING SUPPORT DISC	14	01
41	0501051783	LEFT BEARING SUPPORT DISC	15	01
42	0501051972	DISTRIBUTOR RIGHT DISC ASSY	16	01
43	0501051973	DISTRIBUTOR LEFT DISC ASSY	17	01
44	0503010154	C-128 BELT		01
45	0511066013	FIXER OF PROTECTION		01
46	0503010025	3/8" SPRING WASHER		14
47	0521018640	PROTECTION SIDE BELT		01
48	0501069214	REGULATOR		01
49	0511013015	SLEEVE		01
50	0503010561	SPRING PIN		01
51	0521011107	CRANK BODY		01
52	0503010257	1/8" X 1" COTTERPIN		01
53	0503030878	LEVER CRANK		01
54	0501019460	REAR PROTECTION		01
55	0503013003	50-1 CHAIN X 79 LINK + REDUCTION + MENDING		01
56	0501069179	CARRY-WHEEL CHAIN PROTECTION CAP		01
57	0503010256	3/8" X 3/4" BOLT		02
58	0501069840	REAR COVER PROTECTION		01
59	0501017574	0.3" X 2.7" AXLE		02
60	0503010140	1/8" X 3/4" COTTERPIN		02
61	0503010386	CABLE		02
62	0503030751	REGULATOR PLATE		01
63	0501019838	BAMPER		01
64	0503010920	1/2" X 1.1/2" BOLT		04
65	0503010019	1/2" SPRING WASHER		04
66	0503010060	1/2" NUT		04

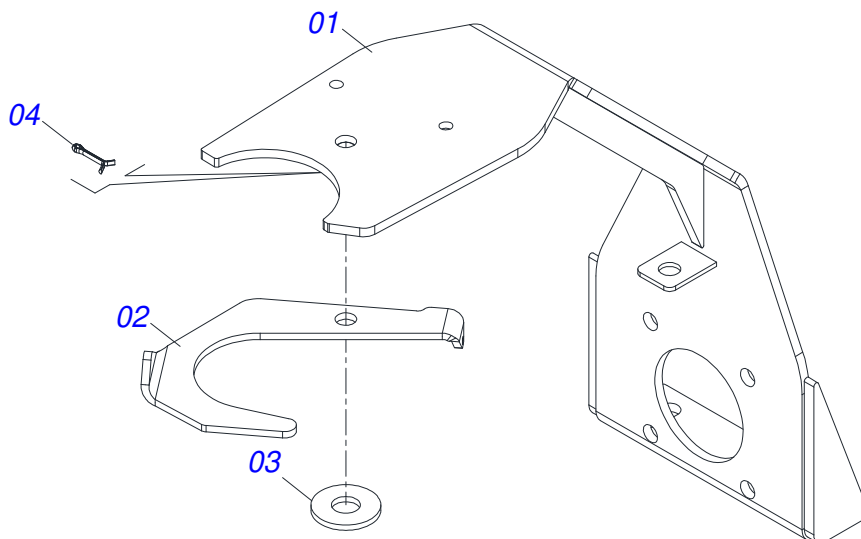


Item	Code	Description	See page	QT
01	0502011050	AGRICULTURAL HOUSING BEARING		01
02	0503011163	1108/UCR BEARING ASSY		01
03	0503010004	1890 GREASE FITTING		01

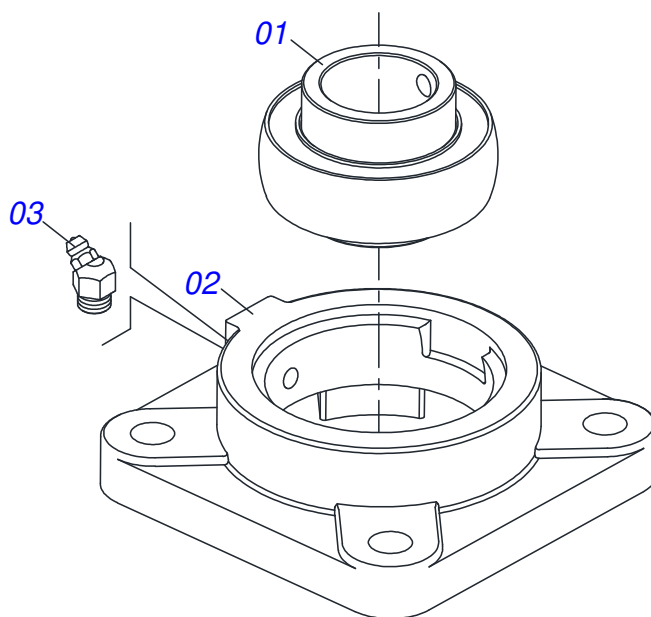




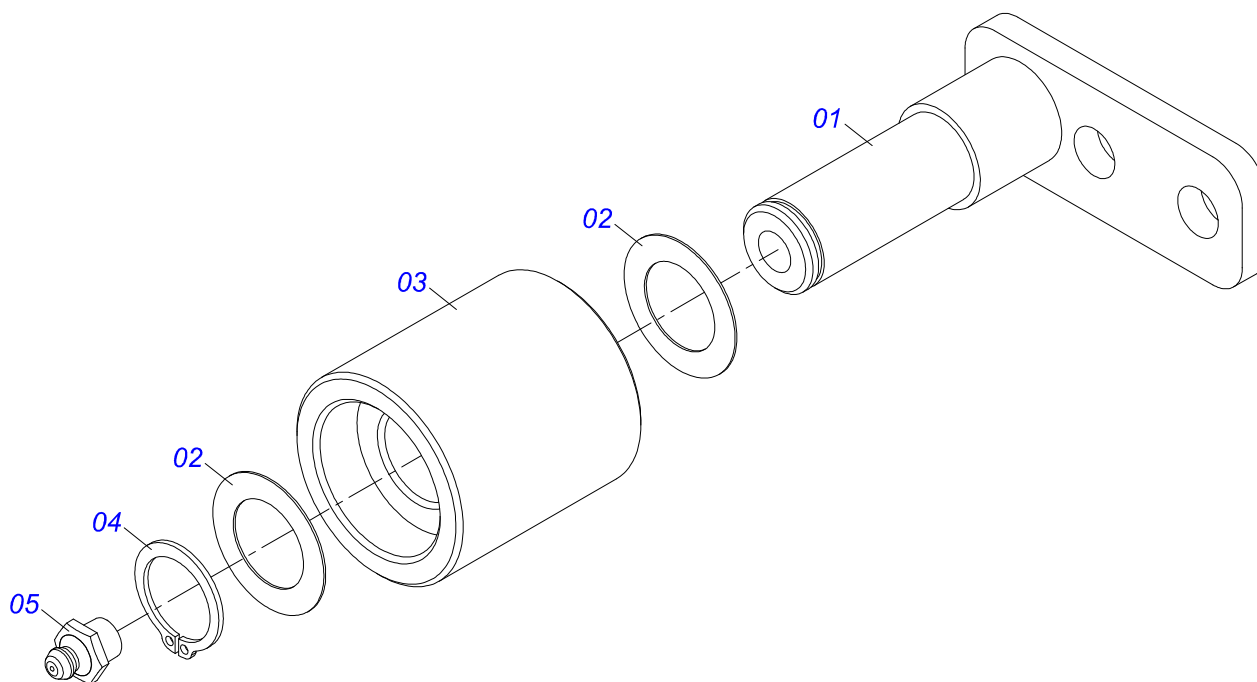
Item	Code	Description	See page	QT
01	0502011954	AGRICULTURAL HOUSING BEARING		01
02	0503011884	BALL BEARING		01
03	0503010691	1/4" GREASE FITTING		01



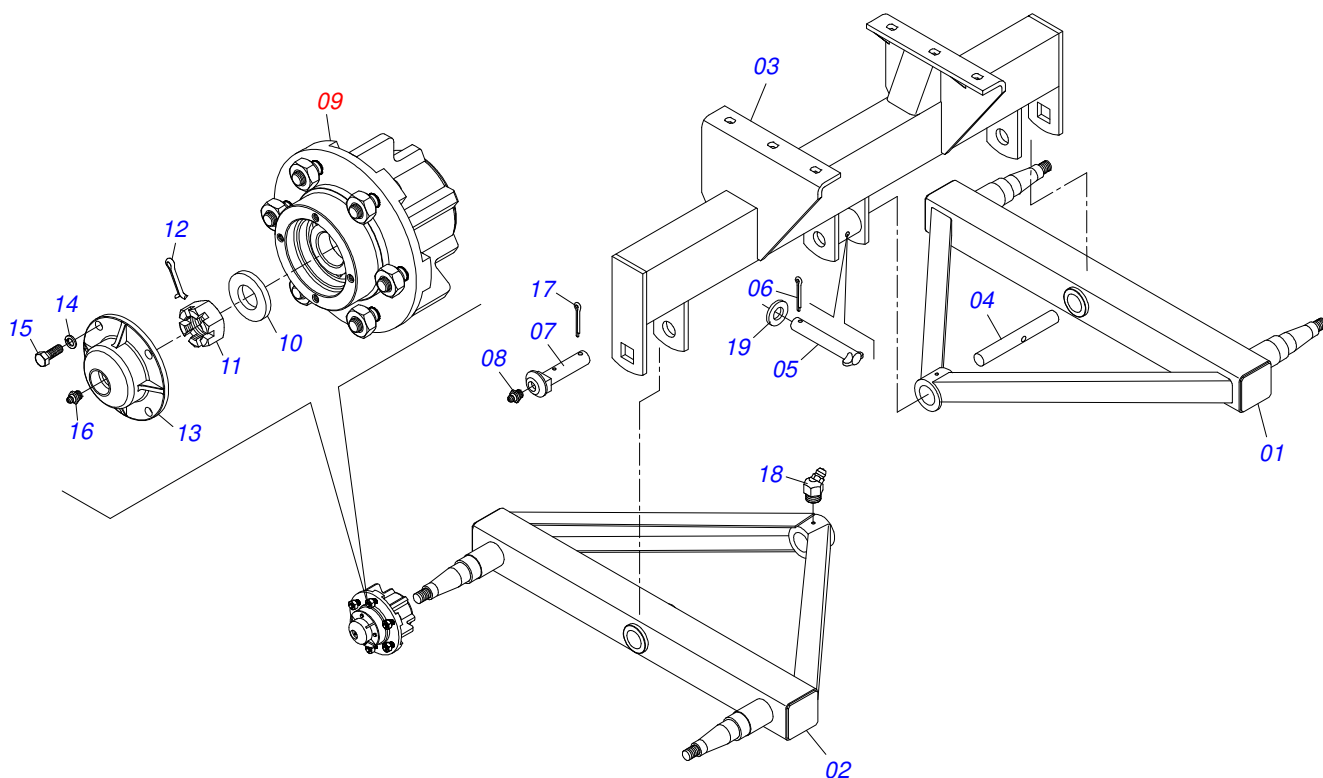
Item	Code	Description	See page	QT
01	0521068817	SUPPORT SUSTENANCE CARDAN		01
02	0511014066	CARDAN SMALLE SUPPORT		01
03	0511017302	FLAT WASHER		01
04	0503010257	1/8" X 1" COTTERPIN		01



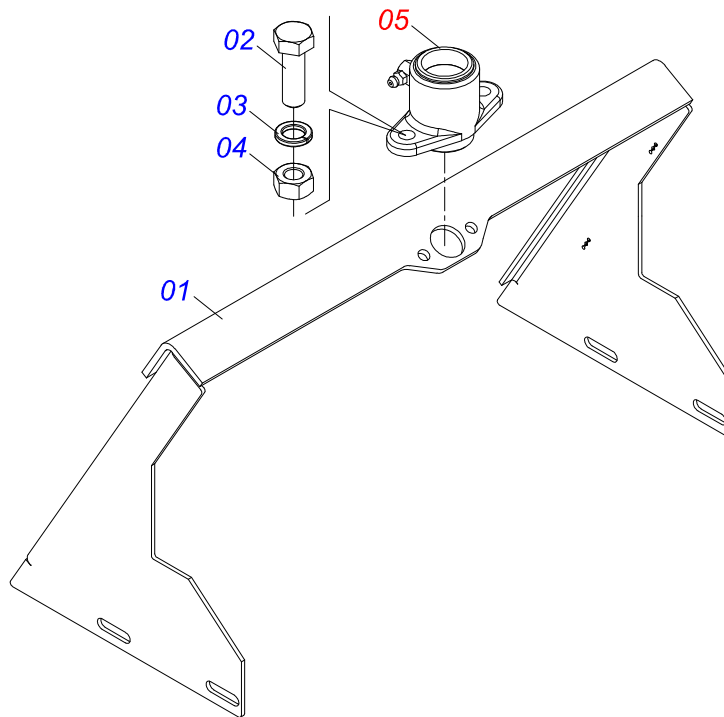
Item	Code	Description	See page	QT
01	0503011162	BALL BEARING		01
02	0503011146	HOUSING BEARING		01
03	0503011099	GREASE FITTING		01



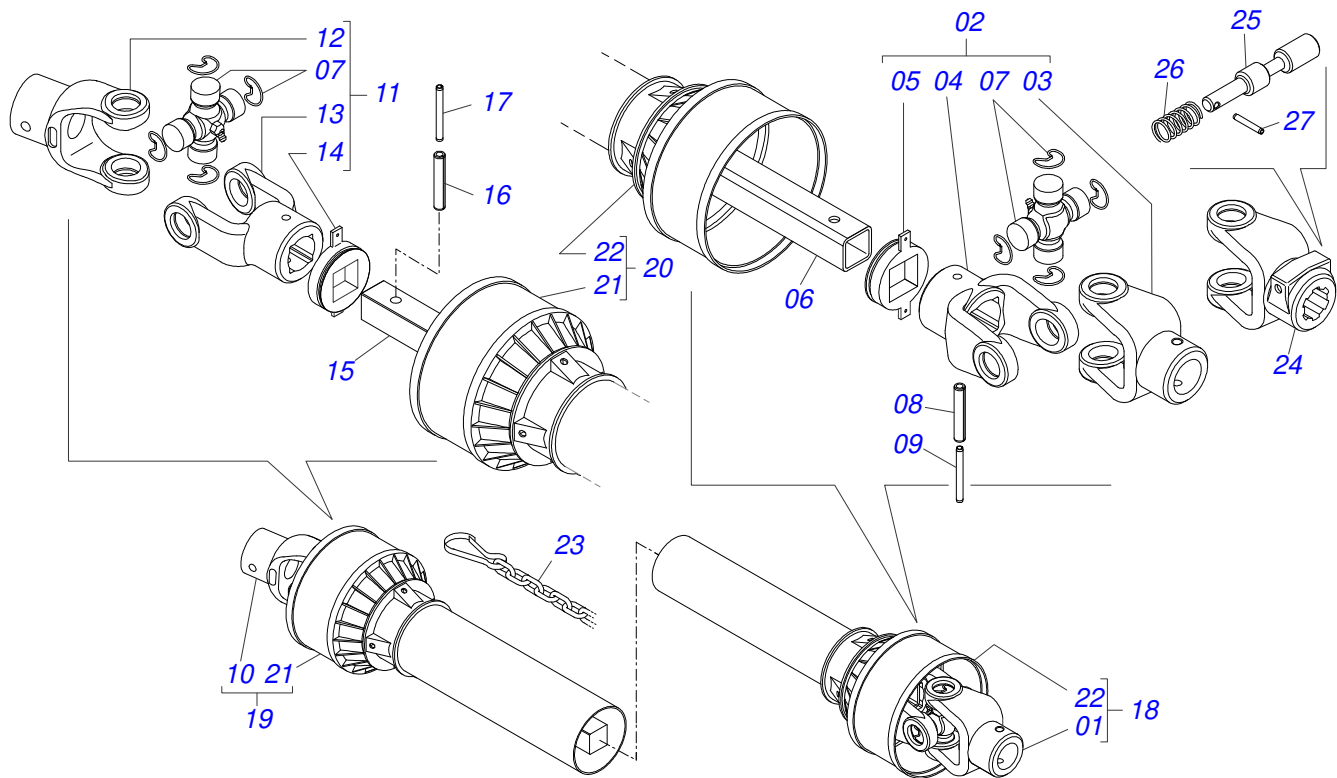
Item	Code	Description	See page	QT
01	0501067692	BELT TENSIONER BODY		01
02	0511015098	FLAT WASHER		02
03	0511017041	TENSIONER ROLD		01
04	0503010302	501019 SEAL RING		01
05	0503010002	1800 GREASE FITTING		01



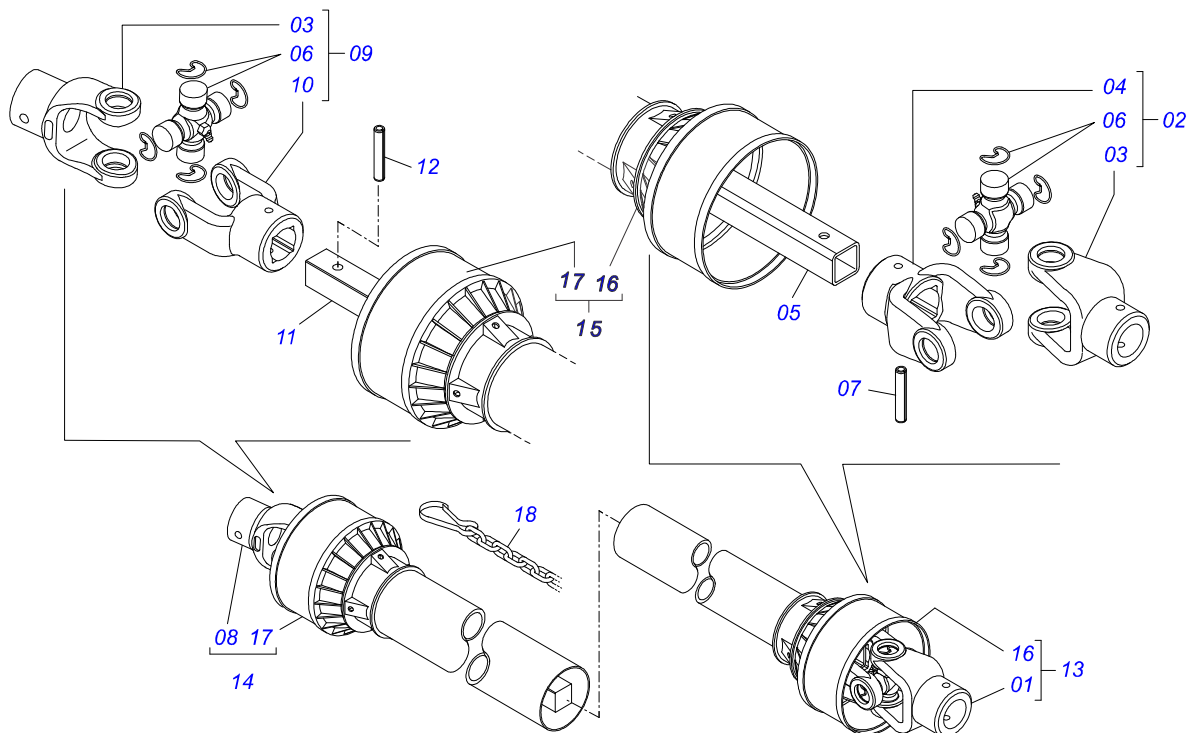
Item	Code	Description	See page	QT
01	0501069182	RIGHT ROCKER ARM		01
02	0501069183	LEFT ROCKER ARM		01
03	0521062814	BELL CRANK SUPPORT FIXATION		01
04	0521011118	COUPLING SHAFT		01
05	0521010553	0.5" X 3" COUPLING SHAFT		01
06	0503010297	5/32" X 1.1/4" COTTER PIN		01
07	0521010956	PIVOT SHAFT		02
08	0503010002	1800 GREASE FITTING		02
09	0501051142	CARRYING WHEEL HUB	19	04
10	0501016545	FLAT WASHER		04
11	0503030009	1" CASTLE NUT		04
12	0503010131	3/16" X 1-1/2" COTTERPIN		04
13	0502020591	PROTECCION COVER		04
14	0503011444	SPRING WASHER		16
15	0503010358	5/16" X 5/8" BOLT		16
16	0503010002	1800 GREASE FITTING		04
17	0503010534	3/8 X 2-1/2 COTTERPIN		02
18	0503010003	1845 GREASE FITTING		02
19	0511017302	FLAT WASHER		02



Item	Code	Description	See page	QT
01	0501069841	SLUICE VALVE SUPPORT		01
02	0503010371	5/16" X 1" BOLT		02
03	0503011444	SPRING WASHER		02
04	0503010337	5/16" NUT		02
05	0511059094	SHAFT BEARING THREADED		01

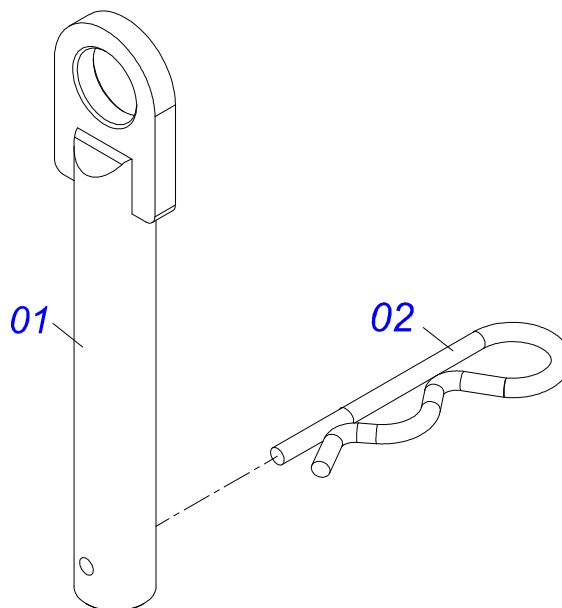


Item	Code	Description	See page	QT
01	0501052176	SLEEVE UNIVERSAL JOINT	01	01
02	0501050265	UNIVERSAL JOINT	01	01
03	0501050333	1-40 TERMINAL WITH HITCH	01	01
04	0502010565	2-40 TERMINAL W/ SH 1.5"/1.5"	01	01
05	0503012069	ADAPTER FOR BUSHING PROTECT	01	01
06	0521013800	16" X 1.4" SQUARE SLEEVE	01	01
07	0503010836	CARDAN CROSSPIECE	02	01
08	0503011069	0.4" X 2.8" SPRING PIN	01	01
09	0503010510	0.2" X 2.6" SPRING PIN	01	01
10	0501052177	AXLE UNIVERSAL JOINT	01	01
11	0501052178	UNIVERSAL JOINT	01	01
12	0502011611	9-40 TERMINAL	01	01
13	0502010566	3-40 TERMINAL WITH SH 1.2"/1.2"	01	01
14	0503012070	ADAPTER FOR AXLE PROTECTION	01	01
15	0521013801	1.2" X 15.7" SQUARE SHAFT	01	01
16	0503010361	SPRING PIN	01	01
17	0503010756	0.2" X 2.4" SPRING PIN	01	01
18	0501052179	PROT/SLEEVE UNIVERSAL JOINT	01	01
19	0501052180	PROT/AXLE UNIVERSAL JOINT	01	01
20	0503012277	PROTECTION ASSY	01	01
21	0503012279	PROTECTION FOR UNIV JOINT AND AXLE	01	01
22	0503012278	PROTECTION FOR UNIV JOINT SLEEVE	01	01
23	0503012023	CHAIN FOR PROTECTION	02	01
24	0502010563	1-40 STRIATED 1.3/8" TERMINAL	01	01
25	0521010638	0.5" X 3.3" QUIC HITCH COUPL SHAFT	01	01
26	0503030518	0.5"X1.0"X 0.1" COMPRESSION SPRING	01	01
27	0503010838	0.1" X 0.8" SPRING PIN	01	01

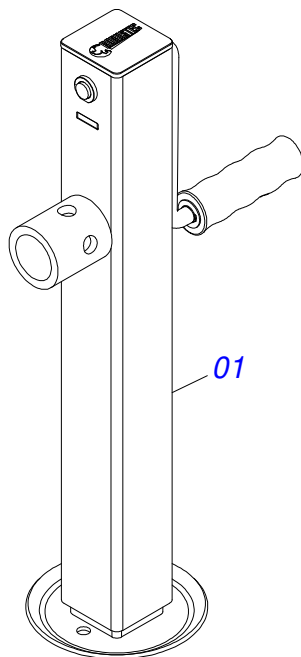


Item	Code	Description	See page	QT
01	0501052166	SLEEVE UNIVERSAL JOINT		01
02	0501051718	UNIVERSAL JOINT		01
03	0502010558	4-20 TERMINAL WITH ROLES		02
04	0502011426	2-20 TERMINAL		01
05	0521013798	0.9" X 35" SQUARE SLEEVE		01
06	0503010835	CARDAN CROSSPIECE		02
07	0503010839	03"X 0.6" SPRING PIN		01
08	0501052167	AXLE UNIVERSAL JOINT		01
09	0501051720	UNIVERSAL JOINT		01
10	0502011427	3-20 TERMINAL		01
11	0521013795	0.9" X 35" SQUARE SHAFT		01
12	0503010301	0.3" X 1.8" SPRING PIN		01
13	0501052168	PROT/SLEEVE UNIVERSAL JOINT		01
14	0501052169	PROT/AXLE UNIVERSAL JOINT		01
15	0503012271	PROTECTION ASSY		01
16	0503012272	PROTECTION FOR UNIV JOINT SLEEVE		01
17	0503012273	PROTECTION FOR UNIV JOINT AND AXLE		01
18	0503012023	CHAIN FOR PROTECTION		02

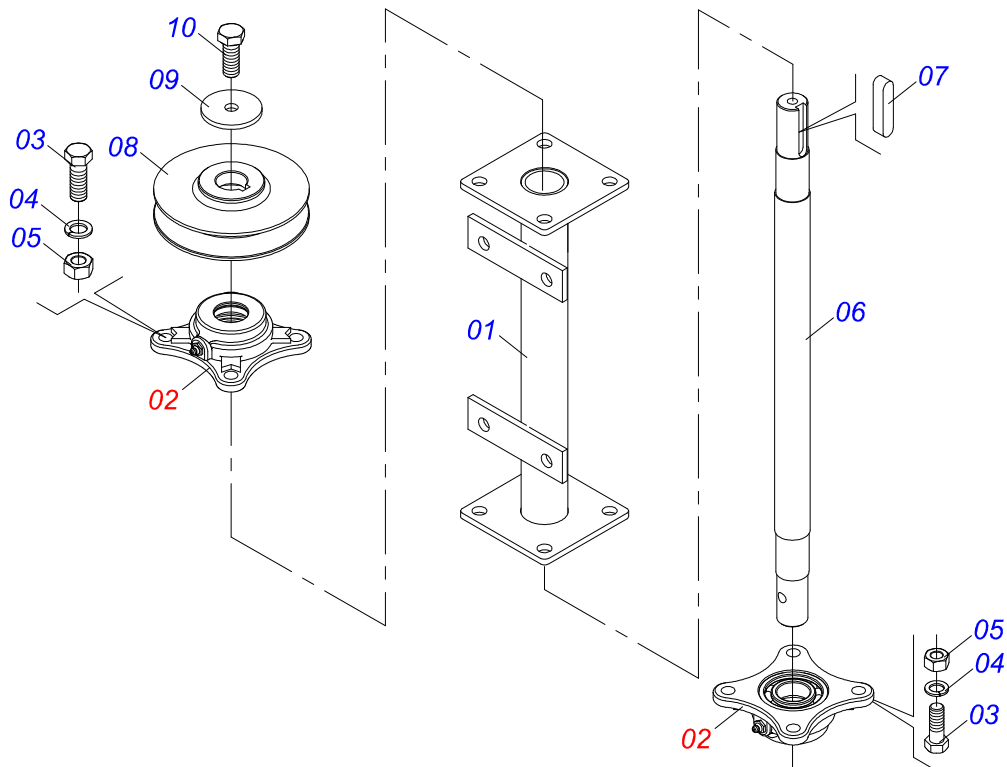




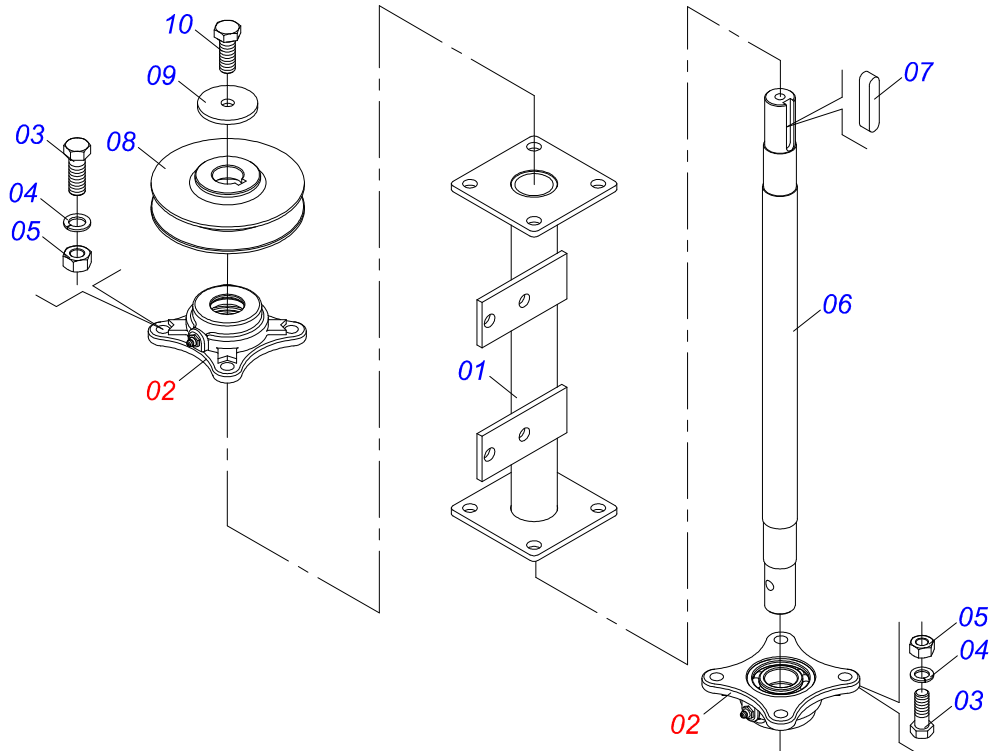
Item	Code	Description	See page	QT
01	0501068989	COUPLING SHAFT		01
03	0503031035	HAIR PIN		01



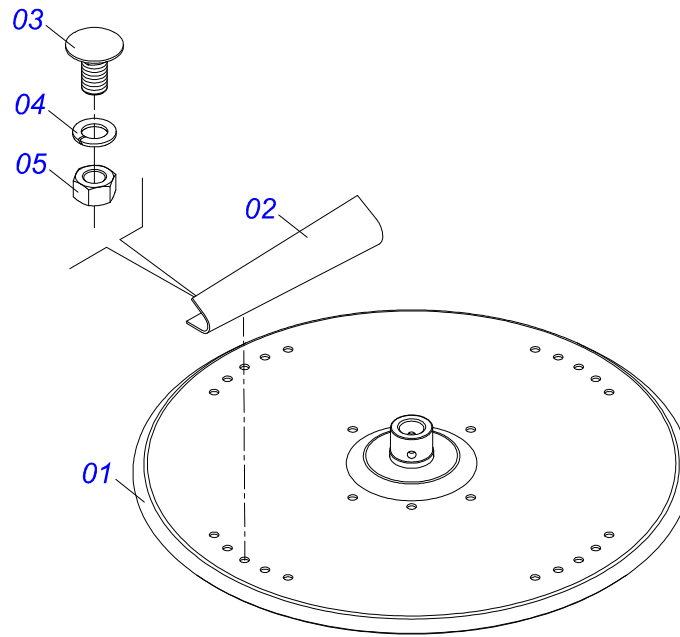
Item	Code	Description	See page	QT
01	0503062157	HEADER JACK	13	01



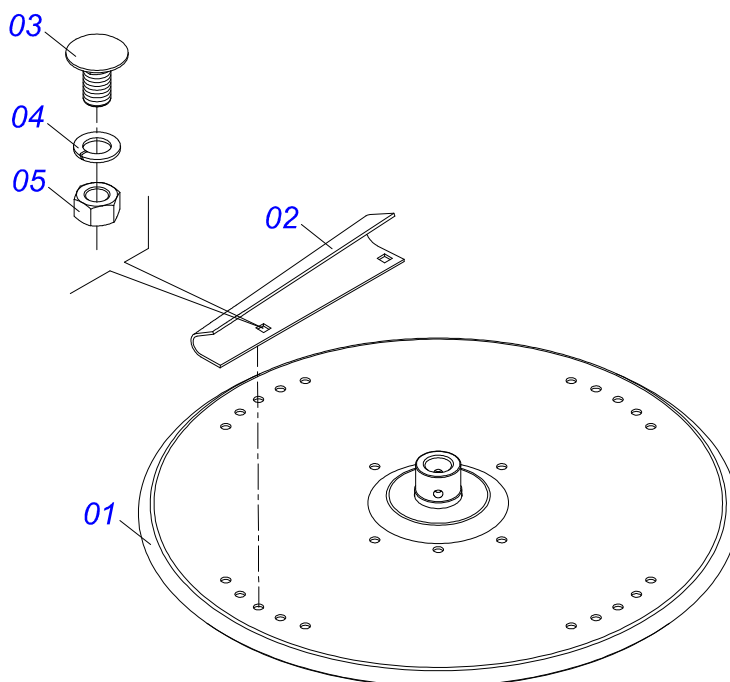
Item	Code	Description	See page	QT
01	0501067387	DISTRIBUTOR RIGHT SUPPORT DISC		01
02	0501048000	AGRICULTURAL BEARING		02
03	0503011102	BOLT 7/16 UNC X 1.1/4 C S G.5 ZN		08
04	0503011446	SPRING WASHER		08
05	0503010244	7/16" NUT		08
06	0511016489	DISTRIBUTOR AXLE CONDUCTOR DISC		01
07	0501010536	KEYWAY SQUARE		01
08	0502011361	REEL 1C 5.5" X 1.1" PULLEY		01
09	0511014052	FLAT WASHER		01
10	0503010355	7/16" X 1" BOLT		01



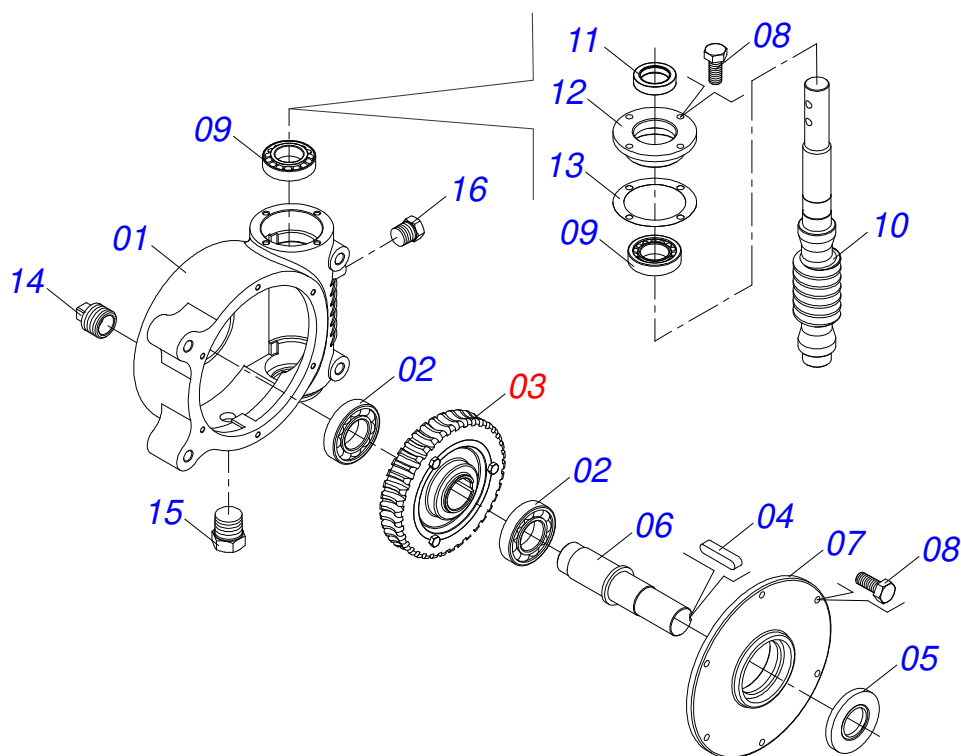
Item	Code	Description	See page	QT
01	0501067388	DISTRIBUTOR LEFT SUPPORT DISC		01
02	0501048000	AGRICULTURAL BEARING		02
03	0503011102	BOLT 7/16 UNC X 1.1/4 C S G.5 ZN		08
04	0503011446	SPRING WASHER		08
05	0503010244	7/16" NUT		08
06	0511016489	DISTRIBUTOR AXLE CONDUCTOR DISC		01
07	0501010536	KEYWAY SQUARE		01
08	0502011361	REEL 1C 5.5" X 1.1" PULLEY		01
09	0511014052	FLAT WASHER		01
10	0503010355	7/16" X 1" BOLT		01



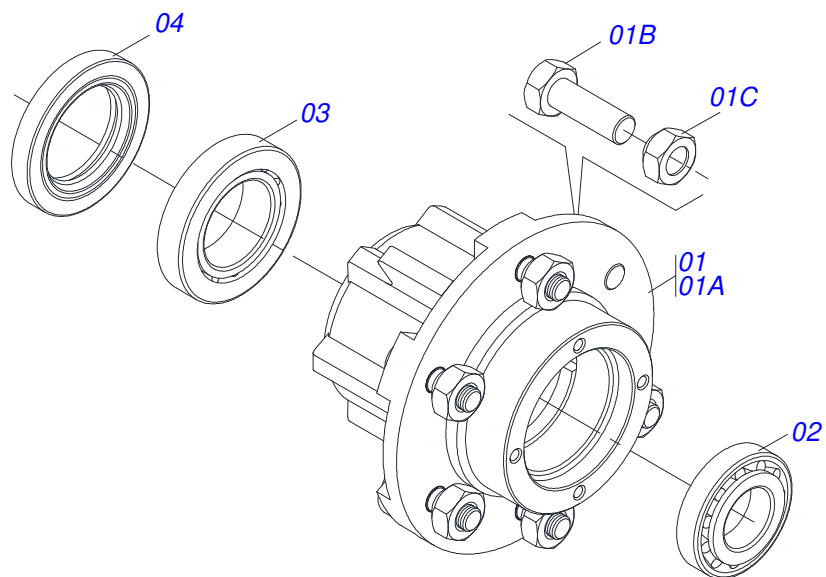
Item	Code	Description	See page	QT
01	0501069605	DISTRIBUTOR DISC		01
02	0521018637	RH FLIP		04
03	0503013029	3/8" X 3/4" BOLT		08
04	0503011443	3/8" SPRING WASHER		08
05	0503010026	3/8" NUT		08



Item	Code	Description	See page	QT
01	0501069605	DISTRIBUTOR DISC		01
02	0521018638	LH FLIP		04
03	0503013029	3/8" X 3/4" BOLT		08
04	0503011443	3/8" SPRING WASHER		08
05	0503010026	3/8" NUT		08

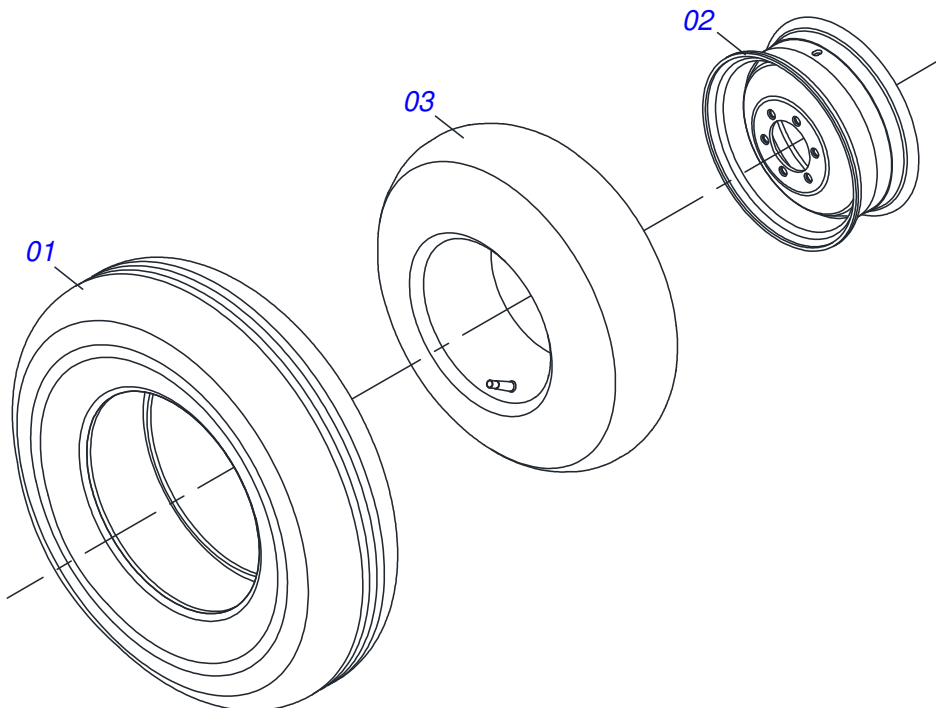


Item	Code	Description	See page	QT
01	0502011456	REDUCTION BOX		01
02	0503011095	6208 BALL BEARING		02
03	0501051774	38Z CROWN		01
04	0503011304	1/2" X 2.4" KEYWAY SQUARE		01
05	0503010818	02675-BRG SEAL		01
06	0521010996	AXLE		01
07	0502020556	LARGER COVER		01
08	0503010240	5/16" X 3/4" BOLT		10
09	0503010016	BEARING LM		02
10	0521010997	SCREW THEAD		01
11	0503011171	00912-BRG SEAL		01
12	0502011457	SMALLER COVER		01
13	0503030981	102 X 75,5 X 0,10 JOINT		01
14	0521011023	PLUG		01
15	0503031604	1/2" BSP PLUG		01
16	0503010856	OIL PLUG		01

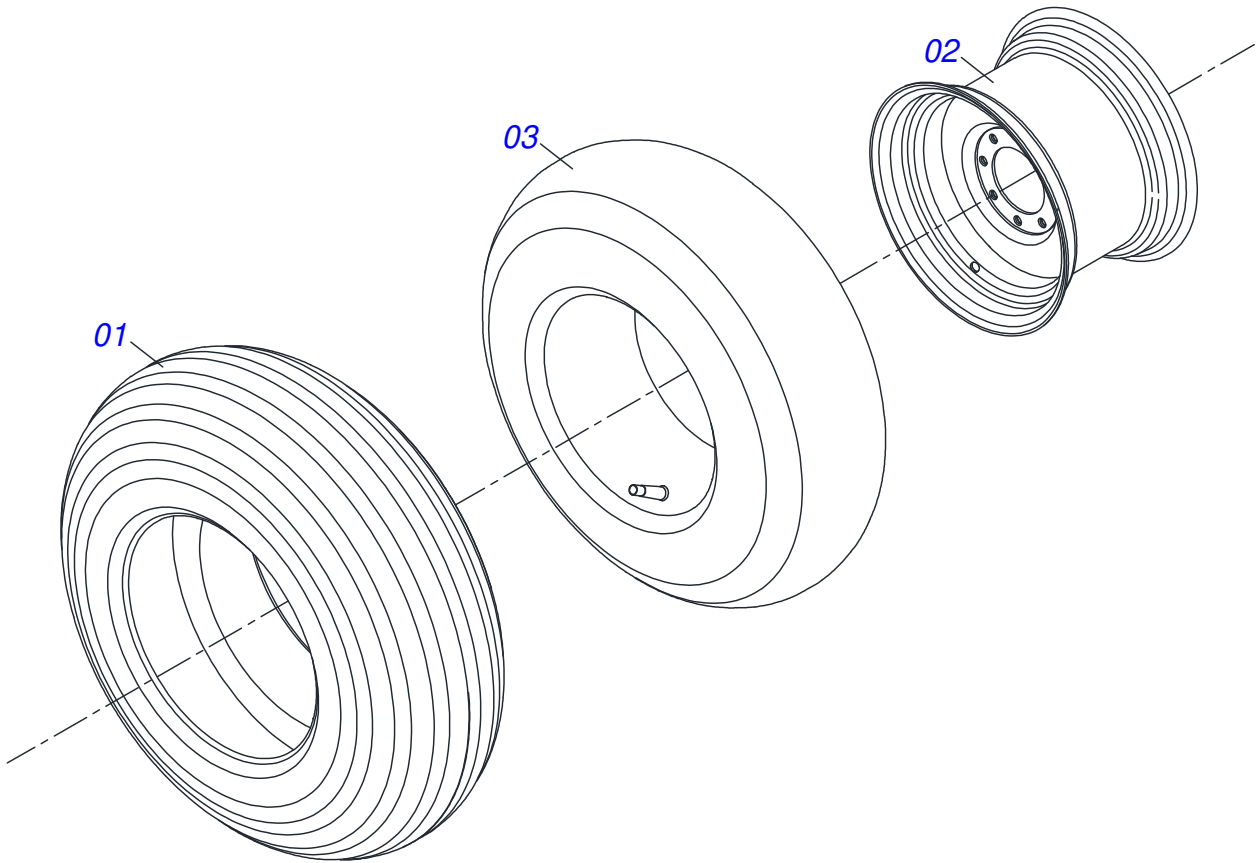


Item	Code	Description	See page	QT
01	0501110728	WHEEL HUB		01
01A	0502011121	CARRYING WHEEL HUB		01
01B	0501010127	9/16" X 1-7/8" LUG BOLT		06
01C	0503010035	9/16" CONIC NUT		06
02	0503010037	30207 ROLLER BEARING		01
03	0503010006	32210 ROLLER BEARING		01
04	0503012928	SEAL		01

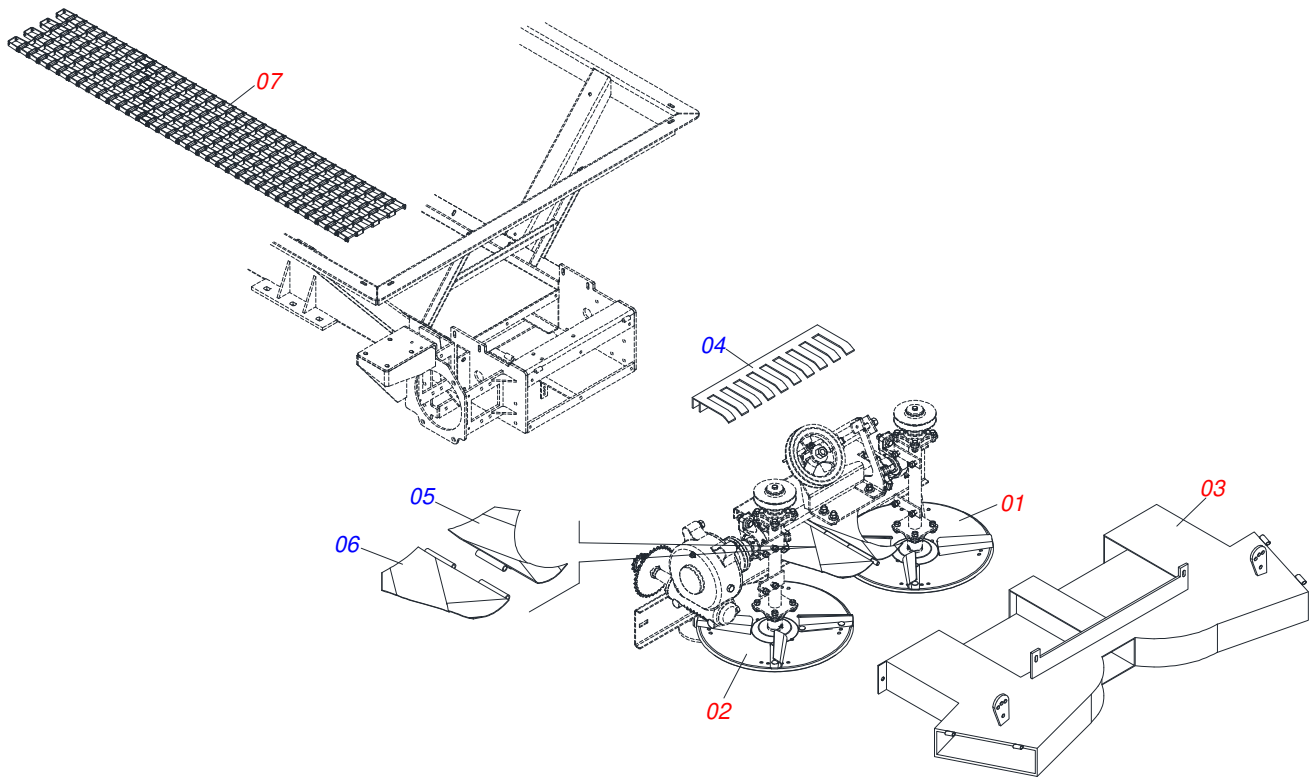




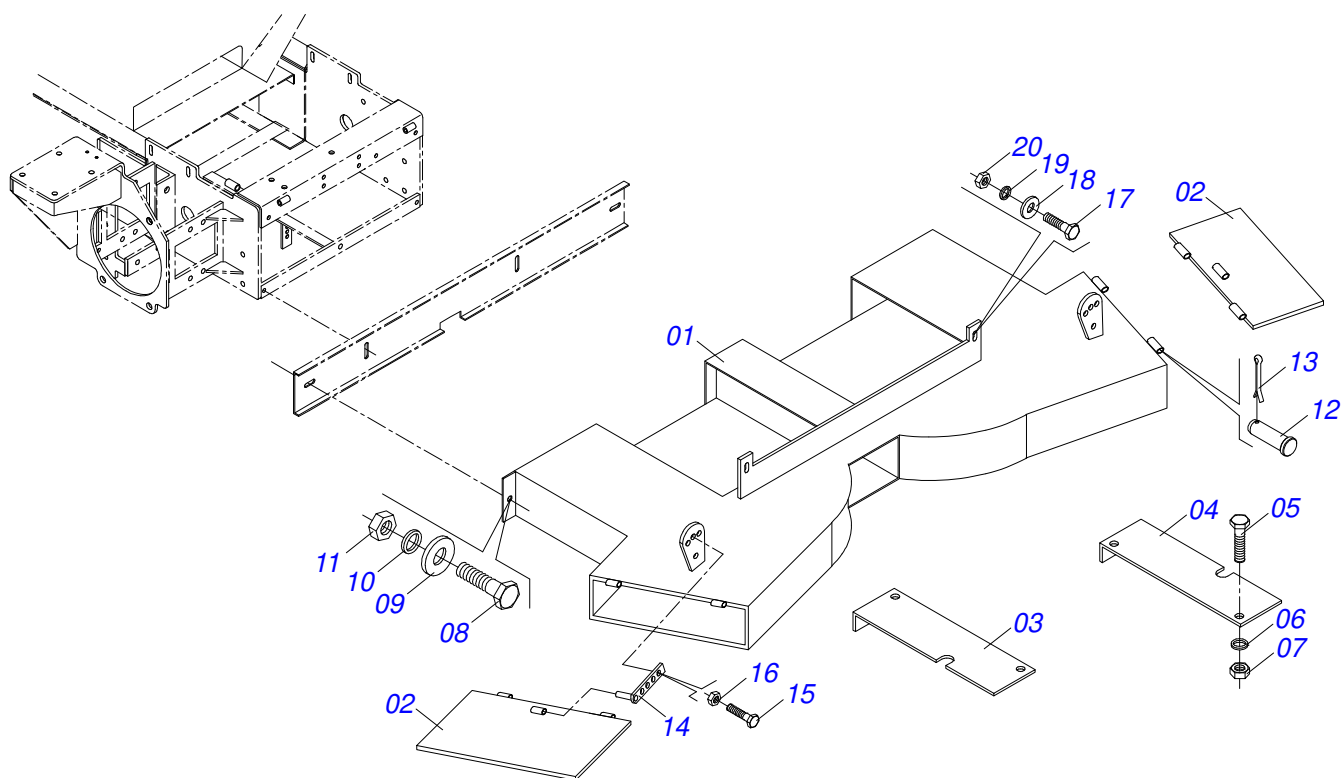
Item	Code	Description	See page	QT
01	0503010120	CANVAS TIRE		01
02	0521062708	WHEEL 5,50 X 16 X 118 X 6F 16,50 X 152,40		01
03	0503010033	7.50 X 16 INNER TIRE		01



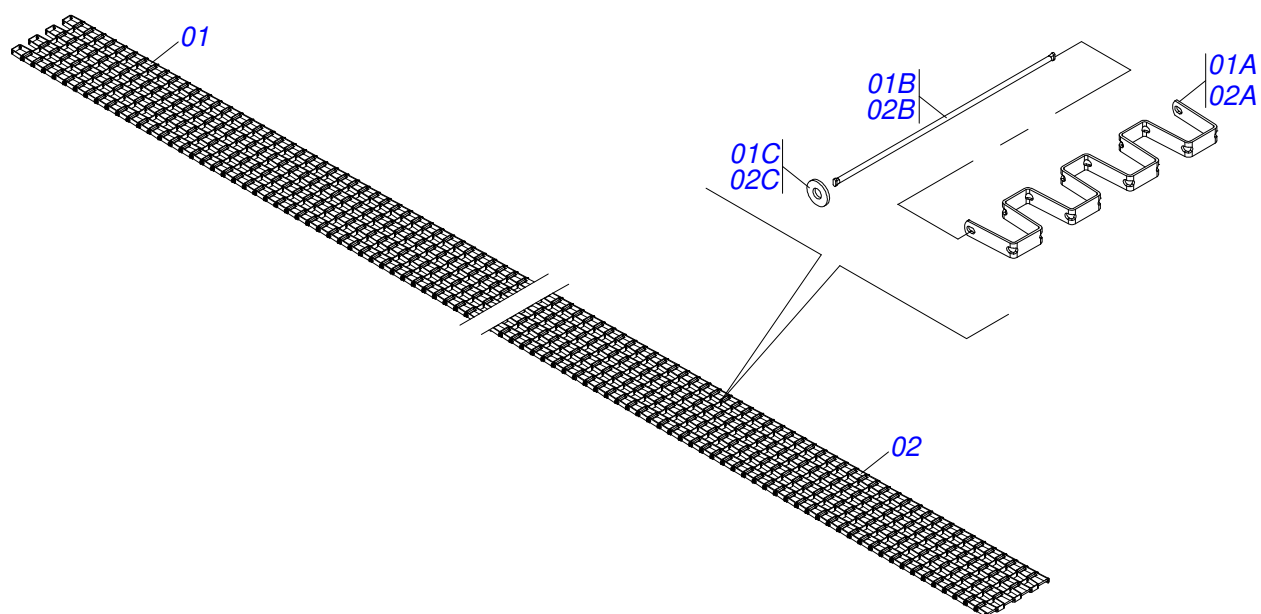
Item	Code	Description	See page	QT
01	0503010858	CANVAS TIRE		01
02	0503011468	WEEL		01
03	0503010860	CAMARA AR 11L 15		01



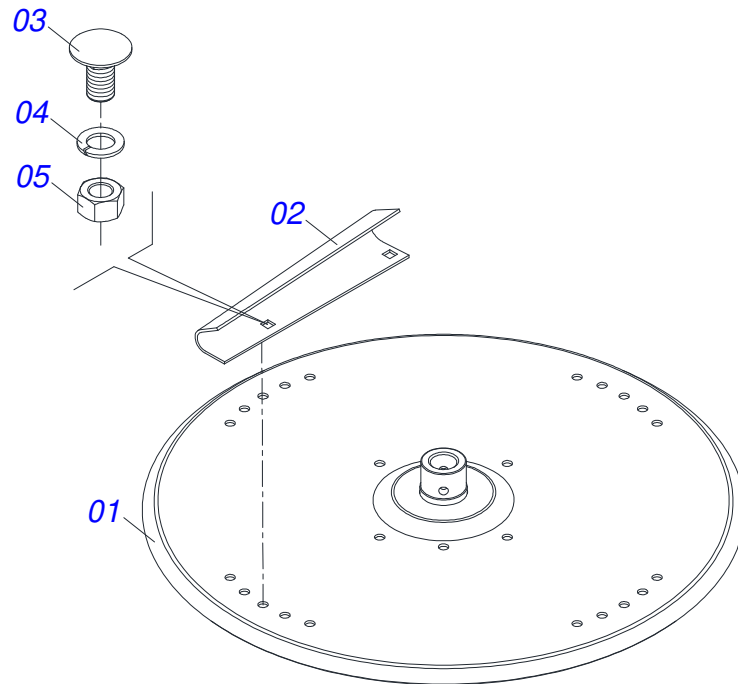
Item	Code	Description	See page	QT
01	0501057104	DISTRIBUTOR RIGHT DISC ASSY	26	
02	0501057105	DISTRIBUTOR LEFT DISC ASSY	25	
03	0511045071	ASSY GUIDE STEINLESS STEEL	23	
04	0501068211	MAT INOX REAR PROTECTION		
05	0521061759	RIGHT FLOW DIVIDING		
06	0521061758	LEFT FLOW DIVIDING		
07	0511048904	DRIVE THE TRANSPORT	24	



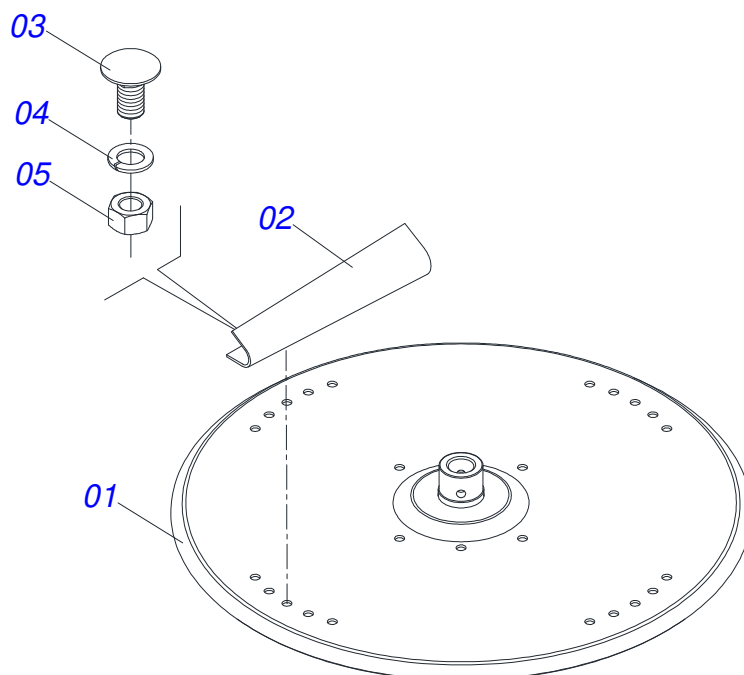
Item	Code	Description	See page	QT
01	0511067664	CONTROLLER		01
02	0511067663	DEFLECTOR		02
03	0551011334	RIGHT COVER SIDE		01
04	0551011335	LEFT COVER SIDE		01
05	0503013686	3/8" UNC X 3/4" CS BOLT		04
06	0503012535	3/8" SPRING WASHER		04
07	0503012531	3/8" INOX NUT		04
08	0503014174	SCREW		02
09	0503014114	FLAT WASHER		02
10	0503012536	1/2" SPRING WASHER		02
11	0503012532	1/2" INOX NUT		02
12	0501017574	0.3" X 2.7" AXLE		04
13	0503010257	1/8" X 1" COTTERPIN		04
14	0501067368	DIVISOR REGULATOR OPEN		02
15	0503013751	3/8 UNC X 1.1/4 BOLT		02
16	0503012531	3/8" INOX NUT		04
17	0503014175	3/8" X 1.1/2" BOLT		02
18	0503012546	FLAT WASHER		02
19	0503012535	3/8" SPRING WASHER		02
20	0503012531	3/8" INOX NUT		02



Item	Code	Description	See page	QT
01	0511050054	MAT SEGMENT		01
01A	0561016633	TRANSPORT MAT BODY		09
01B	0561016632	AXIS UNION MAT		09
01C	0503015148	WASHER		18
02	0511050052	MAT SEGMENT		05
02A	0561016633	TRANSPORT MAT BODY		35
02B	0561016632	AXIS UNION MAT		35
02C	0503015148	WASHER		70



Item	Code	Description	See page	QT
001	0511067662	DISTRIBUTOR DISC INOX		01
002	0551011327	LH FLIP		04
003	0503013755	3/8" UNC X 3/4" CS BOLT		08
004	0503012535	3/8" SPRING WASHER		08
005	0503012531	3/8" INOX NUT		08



Item	Code	Description	See page	QT
001	0511067662	DISTRIBUTOR DISC INOX		01
002	0551011326	RH FLIP		04
003	0503013755	3/8" UNC X 3/4" CS BOLT		08
004	0503012535	3/8" SPRING WASHER		08
005	0503012531	3/8" INOX NUT		08







[www.marchesan.com.br](http://www.marchesan.com.br)



**Technical Publications | Elaboration and Revision**  
ALESSANDRA PATRICIA KAWAHARA CARRILI