

**CHASER BIN**

## **DCA DC 5500 WITH HYDRAULIC OPERATION**

**Code:** 0501092063  
**Series:** S-0114  
**Revision:** 00  
**Date Revision:** SETEMBRO/2023

# **PARTS CATALOGUE**



**MARCHESAN**



# PRODUCTS

Code	Description
0109090243	DCA DC 5500 COMPLETO C/ACIONAM HIDR PN11L15 S-0114
0109090216	DCA DC 5500 S/OPCIONAIS C/ACIONAM HIDR S-0114

## ATTENTION: IMPORTANT

Marchesan S.A. reserves the right to improve and/or modify the technical features of its products, without obligation to do the same with those products already sold and without prior knowledge of the dealer or the customer. The photos are only illustrative.

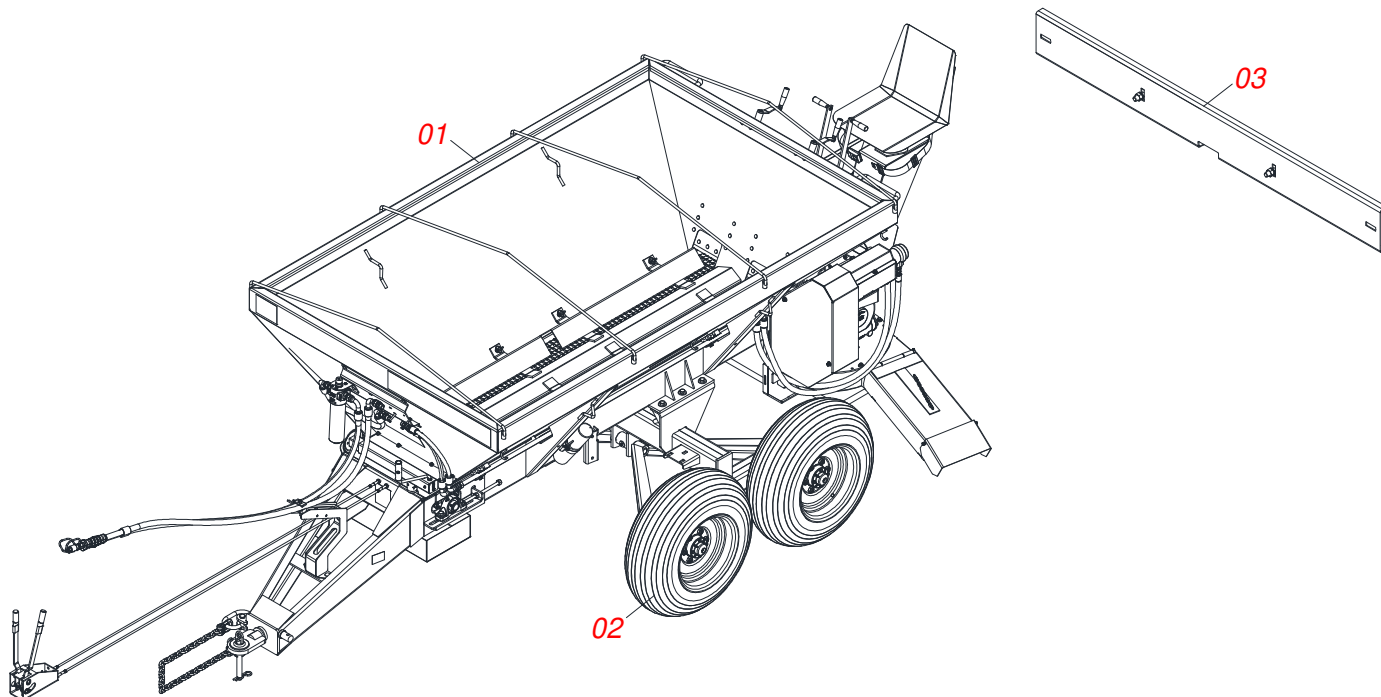


**MARCHESAN**

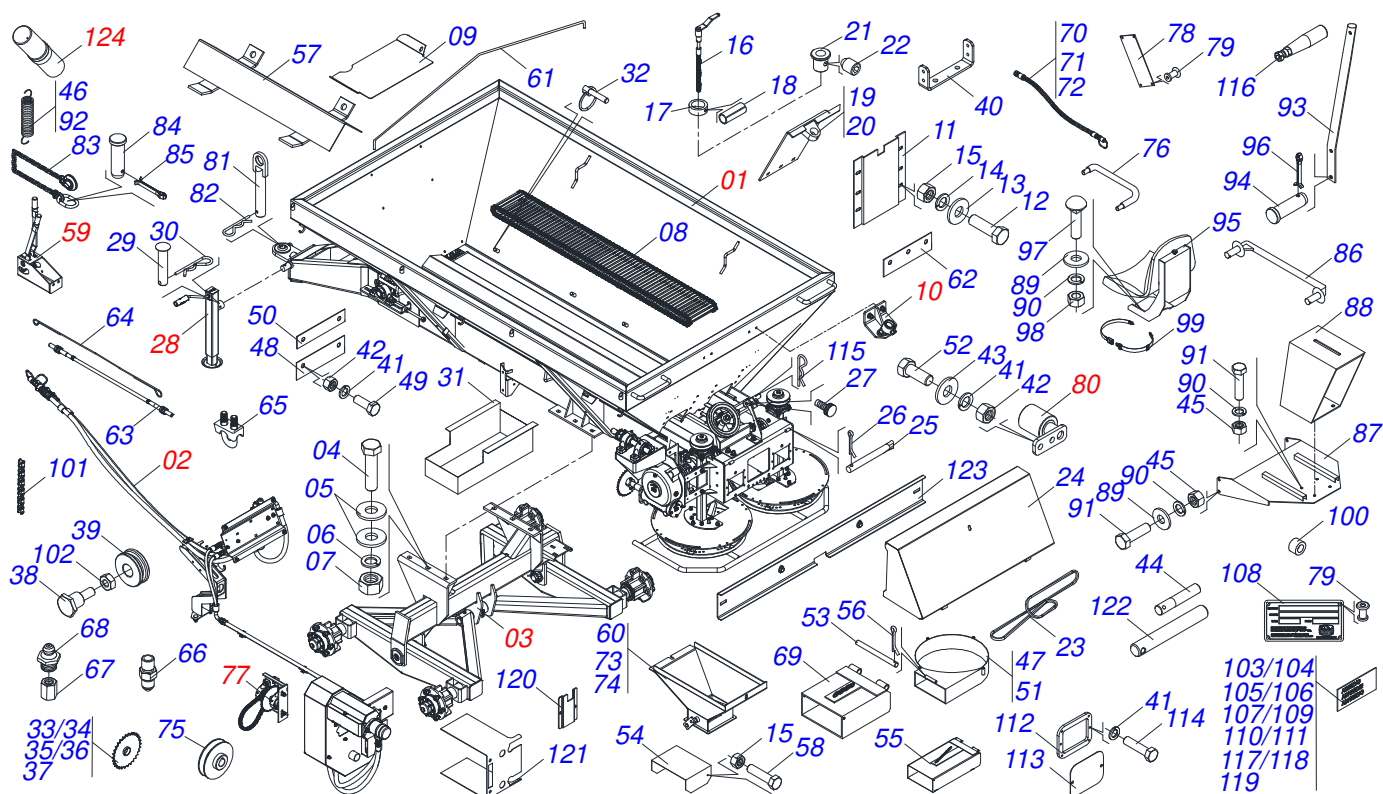
# INDEX

0909093605	ASSY FRAME	.....	1
0521048105	COMPLETE FRAME WITH HYDRAULIC DRIVE	.....	2
0521050895	SEMI MOUNTED HUNTING	.....	3
0501044308	AGRICULTURAL BEARING ASSY	.....	4
0501053163	MAT VALVE RIGHT ASSY	.....	5
0501053164	MAT VALVE LEFT ASSY	.....	6
0501047985	REDUCER	.....	7
0501051774	38Z CROWN	.....	8
0511041213	AGRICULTURAL BEARING	.....	9
0501046802	BELT TENSIONER ASSY	.....	10
0501056183	RIGHT BEARING SUPPORT DISC	.....	11
0501048000	AGRICULTURAL BEARING	.....	12
0501056184	LEFT BEARING SUPPORT DISC	.....	13
0501053159	DISTRIBUTOR RIGHT DISC ASSY	.....	14
0501053160	DISTRIBUTOR LEFT DISC ASSY	.....	15
0531050026	COMPLETE DISC PROTECTOR	.....	16
0521057116	FULL HITCH	.....	17
0521058125	HYDRAULIC DRIVE ASSEMBLY	.....	18
0511053588	MOTOR HYDRAULIC OMP 80 WITH NIPPLE 7/8 NIPPE 7/8	.....	19
0501053834	MALE QUICK COUPLER	.....	20
0521057951	SUPPORT SIMPLE HYDRAULIC DRIVE	.....	21
0521057953	BLOCK HYDAC	.....	22
0521057952	FILTER PRES PARKER HDA FP20 10FV 06B LV6	.....	23
0521057599	FILTER PRESS PARKER HDA FP20 10FV 06B LV6 WITH NIPPLE	.....	24
0521058094	SUPPORT HOSE	.....	25
0521058096	COUPLING ASSEMBLY	.....	26
0521058097	REEL	.....	27
0521056365	P15,88 18Z GEAR SHAFT 25.40 KEYWAY 1/4 FULL	.....	28
0521058119	SIMPLE HYDRAULIC ACTUATION HOSE SET	.....	29
0521053728	FIXER BEARING	.....	30
0511059094	SHAFT BEARING THREADED	.....	31
0501053157	LEVER BOX CABLE STEEL	.....	32
0501056429	SET SUPER REDUCTION	.....	33
0501050829	CHAIN TENSIONER	.....	34
0531050025	ASSY MANUAL DOOR	.....	35
0521047230	ASSY FRAME	.....	36
0521046045	FIXING STAND ASSY	.....	37
0501051142	CARRYING WHEEL HUB	.....	38
0503060181	WHEEL AND TIRE	.....	39
0503060206	29.5"X0.6"- 10L WHEEL AND TIRE ASSY	.....	40
0531050027	BAMPER	.....	41

ASSY FRAME



Item	Code	Description	See page	QT
01	0521048105	COMPLETE FRAME WITH HYDRAULIC DRIVE	2	01
01.	0521047230	ASSY FRAME	36	01
02	0503060181	WHEEL AND TIRE	39	04
02.	0503060206	29.5"X0.6"- 10L WHEEL AND TIRE ASSY	40	04
03	0531050027	BAMPER	41	01



Item	Code	Description	See page	QT
001	0521050895	SEMI MOUNTED HUNTING	3	01
002	0521058125	HYDRAULIC DRIVE ASSEMBLY	18	01
003	0521046045	FIXING STAND ASSY	37	01
004	0503010899	5/8 UNC X 2.1/4 BOLT		06
005	0501012140	FLAT WASHER		12
006	0503010027	5/8 SPRING WASHER		06
007	0503010013	5/8 NUT		06
008	0511048562	DRIVE ESTABILIZER DCA		02
009	0541018667	FRONT COVER		01
010	0521053728	FIXER BEARING	30	02
011	0531017187	SLUICE VALVE GUIDE		02
012	0503011953	5/16" X 1" BOLT		22
013	0501010694	FLAT WASHER		22
014	0503010179	LOCK WASHER 5/16 ZN 1K01528		22
015	0503010337	5/16" NUT		30
016	0511066463	SLUICE VALVE JACK REGULATOR		02
017	0511013015	SLEEVE		02
018	0503010561	SPRING PIN		02
019	0511066457	RH SLUICE VALVE COVER		01
020	0511066458	LH SLUICE VALVE COVER		01
021	0541016204	ADJUSTMENT NUT DCA-DC		02
022	0503011148	3/8" X 1/2" BOLT		02
023	0503010154	C-128 BELT		01
024	0501069840	REAR COVER PROTECTION		01
025	0501017574	0.3" X 2.7" AXLE		02
026	0503010140	1/8" X 3/4" SPLIT PIN		04
027	0503010386	CABLE		01
028	0503062157	DRAWBAR JACK		01
029	0521010549	COUPLING SHAFT		01
030	0503030168	HITCH PIN CLIP		01
031	0511062421	COLLECCION BOX		01



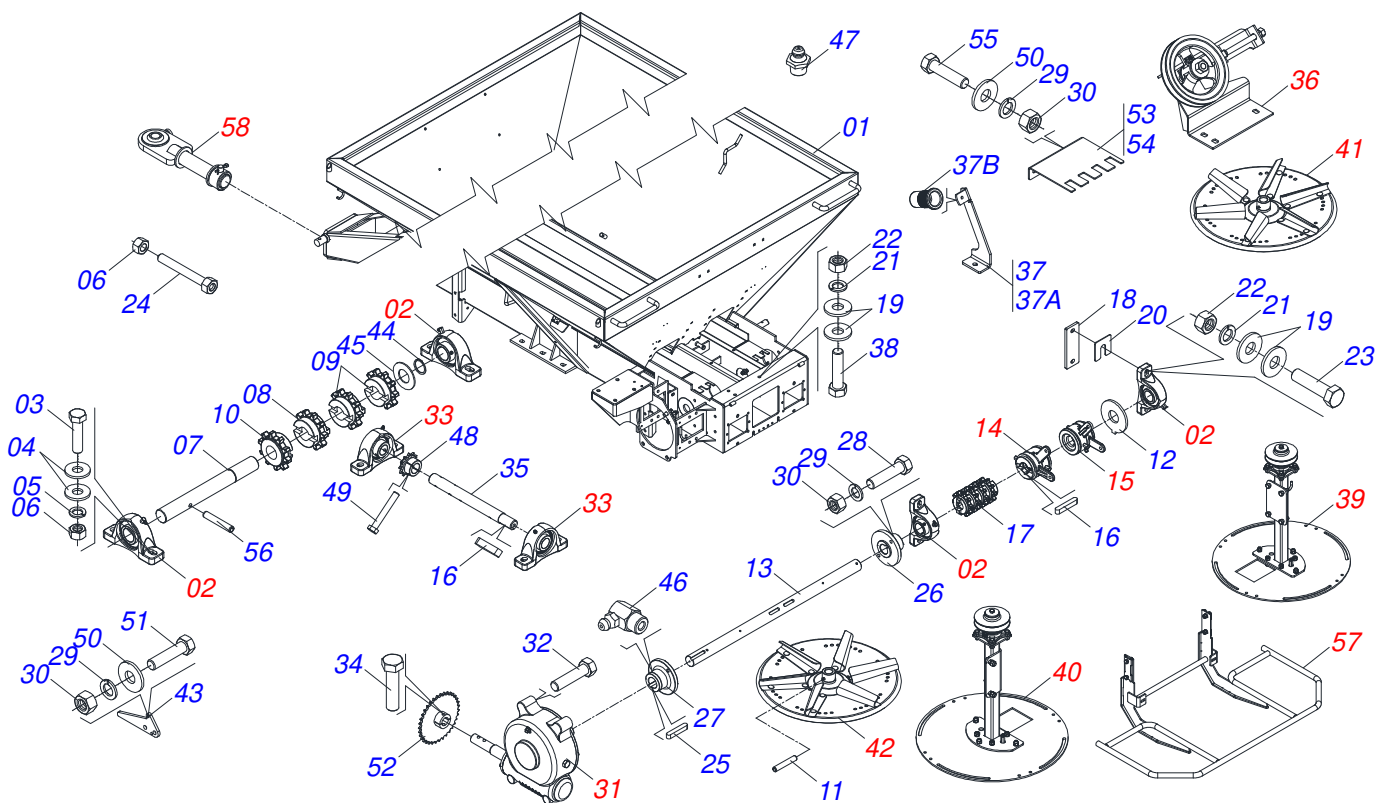
**DCA DC 5500 WITH HYDRAULIC OPERATION**  
**COMPLETE FRAME WITH HYDRAULIC DRIVE**

Item	Code	Description	See page	QT
032	0503030085	LOCK PIN		10
033	0511062447	17Z P0.6" GEAR		01
034	0511062448	26Z P0.6" GEAR		02
035	0501069020	35Z GEAR		01
036	0511062449	40Z P0.7" GEAR		01
037	0511062450	47Z P0.6" GEAR		01
038	0581018035	AXLE PULLEY		02
039	0581018034	REEL		02
040	0581018047	STRETCHER SPINDLE FIXER		01
041	0503010025	3/8 SPRING WASHER		42
042	0503010026	3/8" NUT		20
043	0501010984	10,50 X 27 X 3,00 FLAT WASHER		35
044	0581016925	PRISONER		02
045	0503010060	1/2 UNC G.5 ZN HEX NUT		14
046	0503030093	TRACTION SPRING		02
047	0511066449	RIGHT CONTROLLER		01
048	0531010059	7.1" X 3.3" X 0.1" PROTECTION		02
049	0503010237	3/8" X 1" BOLT		12
050	0531010273	RUBBER SUPPORT FIXER COVER		02
051	0511066450	LEFT CONTROLLER		01
052	0503010751	C3/8" X 1.1/4" HEX BOLT G.5		12
053	0531010081	0.6" X 10.8" AXLE		02
054	0541016214	BODY ADJUSTMENT HEIGHT		02
055	0511066448	BICA DRIVERS		02
056	0503010257	1/8" X 1" SPLIT PIN		08
057	0511066459	DEFLECTOR		04
058	0503010178	5/16" X 7/8" BOLT		04
059	0501053157	LEVER BOX CABLE STEEL	32	01
060	0511066615	DIRECT SOCKET		02
061	0531010057	GUARD BRACKET		04
062	0503034731	SCRAPER		02
063	0503012779	STEEL CONDUCTOR CABLO 1/8"		02
064	0531010467	1/8" X 255" STEEL CABLE		02
065	0503010431	1/8" CABLO STEEL STAPLE		08
066	0503012776	1/8" NF NIPPLE		04
067	0531013919	GREASE FITTING FIXER		04
068	0503010002	1800 GREASE FITTING		04
069	0511067201	BICA LONG DRIVERS		02
070	0501081198	1/4 X 390 HOSE		02
071	0501081198	1/4 X 390 HOSE		01
072	0501081198	1/4 X 390 HOSE		01
073	0511066456	LEFT SOCKET		01
074	0511066455	RIGHT SOCKET		01
075	0502011953	3.7 X 1.1 REEL		01
076	0541016206	ASSEMBLE AND DISASSEMBLE RATCHET		02
077	0501056429	SET SUPER REDUCTION	33	01
078	0503030751	REGULATOR PLATE		02
079	0503010001	3.2 X 5.5 RIVET		12
080	0501050829	CHAIN TENSIONER	34	01
081	0501068989	COUPLING SHAFT		01
082	0503031035	HITCH PIN CLIP		01
083	0503013150	1300 X 3/8 CHAIN		01
084	0581011220	COUPLING SHAFT		01
085	0503010131	3/16" X 1.1/2" SPLIT PIN		01
086	0511062436	INTER ARM/DISARMENT		02
087	0511066451	SEAT BASE		01
088	0511062438	SEAT SUPPORT		01
089	0501010937	13,50 X 28 X 3,00 FLAT WASHER		10
090	0503010019	1/2" SPRING WASHER		12



**DCA DC 5500 WITH HYDRAULIC OPERATION**  
**COMPLETE FRAME WITH HYDRAULIC DRIVE**

Item	Code	Description	See page	QT
091	0503010920	1/2 UNC X 1.1/2 C S G.5 ZN BOLT		10
092	0503030198	0.6" X 2.4" X 0.1" EXTENSION SPRING		02
093	0541016207	LEVER BODY		02
094	0531010630	0.5" X 1.4" COUPLING SHAFT		02
095	0503031651	AMORT SEAT ASSY		01
096	0503010300	5/32" X 1" SPLIT PIN		02
097	0501011600	1/2" X 1-1/4" BOLT		02
098	0503012682	1/2" BSW NUT		02
099	0503032137	SAFETY BELT		01
100	0541015142	SLEVE GUIDE		02
101	0503011351	50-1 CHAIN X 79 LINK + MENDING		01
102	0503013814	1/4" NC LOCKNUT		02
103	0503031859	ADHESIVE LABEL DANGER		01
104	0503031428	READ MANUAL DECAL		01
105	0503031827	LUBRICATE AND RETIGHTEN DAILY DECAL		01
106	0503031087	AUTO CONTROL APPROVED DECAL		01
107	0503031818	ADHESIVE LABEL		01
108	0503034003	61 X 118 SERIAL NUMBER TAG		01
109	0503032949	ADHESIVE LABEL		01
110	0503031652	ADHESIVE LABEL		01
111	0503031688	ADHESIVE LABEL		01
112	0581018033	REAR PROTECTION FIXER SUPPORT		02
113	0581018031	REAR PROTECTION		02
114	0503010256	3/8" X 3/4" BOLT		12
115	0503030012	HITCH PIN CLIP		01
116	0503011312	ROTATIVE CABLE		04
117	0503034727	ADHESIVE LABEL		02
118	0503034728	ADHESIVE LABEL		04
119	0503034729	ADHESIVE LABEL		02
120	0531017384	RATCHET PROTECTION		01
121	0581018458	COUPLING PROTECTION		01
122	0581018030	DISASSEMBRE AXLE		02
123	0531050027	BAMPER	41	01
124	0531050025	ASSY MANUAL DOOR	35	01



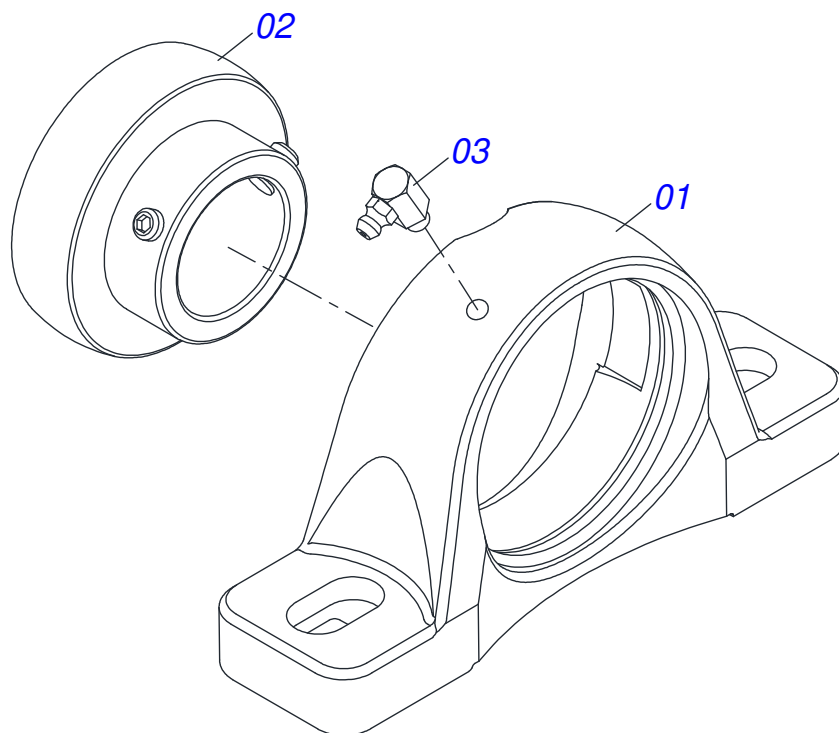
Item	Code	Description	See page	QT
01	0511066454	BUCKET		01
02	0501044308	AGRICULTURAL BEARING ASSY	4	06
03	0503010899	5/8 UNC X 2.1/4 BOLT		08
04	0501012140	FLAT WASHER		16
05	0503011445	SPRING WASHER		12
06	0503010013	5/8 NUT		12
07	0541016205	DCA-DC AXLE		02
08	0502012327	10Z GEAR		02
09	0502012340	10Z GEAR		02
10	0502011959	10Z P 1.50" GEAR		04
11	0503010361	SPRING PIN		02
12	0541018271	FLANGE AXLE TRANSMISSION		02
13	0531010168	MOTOR SHAFT		01
14	0501053163	MAT VALVE RIGHT ASSY	5	01
15	0501053164	MAT VALVE LEFT ASSY	6	01
16	0501010536	KEYWAY SQUARE		03
17	0501110334	GEAR 10Z ASSY		02
18	0541016213	BEARING CHUCK REAR SIDE		02
19	0511017302	FLAT WASHER 13,50 X 32,50 X 3,0 ZN		11
20	0501010794	HIDR CHOCK REGULATOR		04
21	0503011440	SPRING WASHER		07
22	0503010060	1/2 UNC G.5 ZN HEX NUT		07
23	0503011172	BOLT 1/2 UNC X 2.1/2 C S G.5 ZN		04
24	0501067853	ROD STABILIZER		04
25	0501010540	KEYWAY SQUARE		02
26	0511016540	MAT COUPLING FLANGE		01
27	0511016541	REDUCTION COUPLING FLANGE		01
28	0503010849	3/8" X 1-1/2" BOLT		02
29	0503011443	3/8" SPRING WASHER		08
30	0503010026	3/8" NUT		12
31	0501047985	REDUCER	7	01



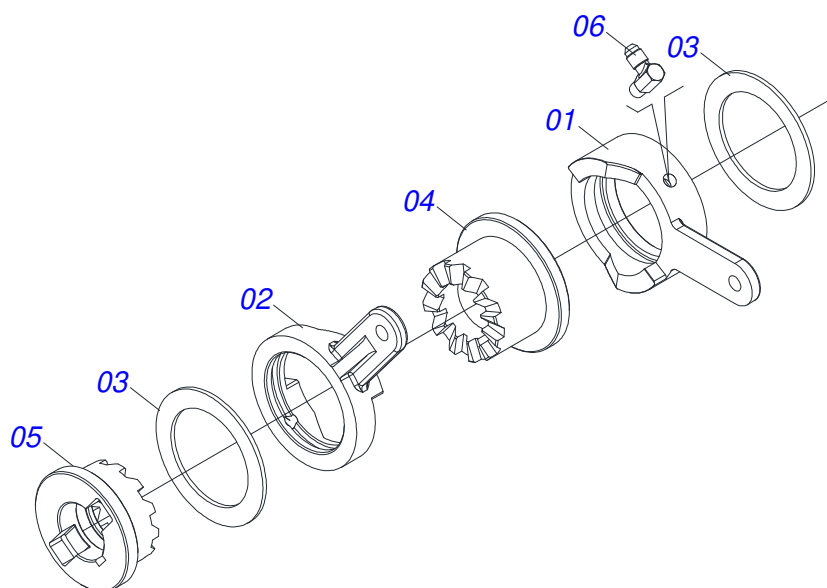


**DCA DC 5500 WITH HYDRAULIC OPERATION**  
**SEMI MOUNTED HUNTING**

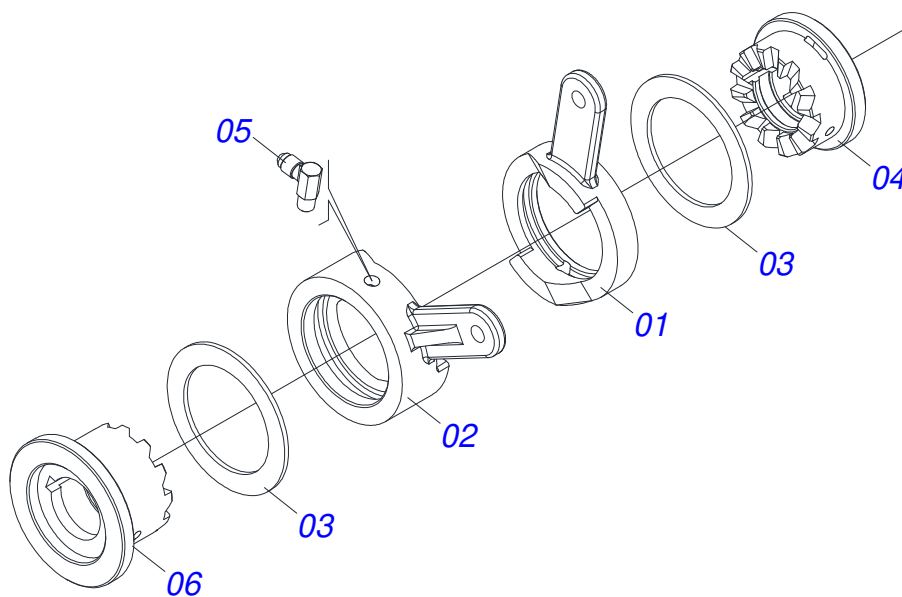
Item	Code	Description	See page	QT
32	0503011167	M16 X 2 X 30 BOLT		04
33	0511041213	AGRICULTURAL BEARING	9	02
34	0503011141	3/8" X 2-3/4" BOLT		01
35	0521011063	TRANSMISSION AXLE		01
36	0501046802	BELT TENSIONER ASSY	10	01
37	0531057225	FIXING SUPPORT REAR PROTECTION		01
37A	0521013032	FIXING SUPPORT BACK PROTECTION COVER		01
37B	0503019414	THREAD RIVET		01
38	0503010920	1/2 UNC X 1.1/2 C S G.5 ZN BOLT		03
39	0501056183	RIGHT BEARING SUPPORT DISC	11	01
40	0501056184	LEFT BEARING SUPPORT DISC	13	01
41	0501053159	DISTRIBUTOR RIGHT DISC ASSY	14	01
42	0501053160	DISTRIBUTOR LEFT DISC ASSY	15	01
43	0541016212	HITCH STEEL CABLE		02
44	0503010391	501038 CLAMPING RING (FOR AXLE)		02
45	0531010253	FLAT WASHER		02
46	0503012102	GREASE FITTING		01
47	0503010002	1800 GREASE FITTING		01
48	0501069017	12Z GEAR		01
49	0503011268	3/8" X 2-1/2" BOLT		01
50	0501010984	10,50 X 27 X 3,00 FLAT WASHER		06
51	0503012444	3/8" X 1-1/4" BOLT		02
52	0501069020	35Z GEAR		01
53	0541016209	RH TOOTH COVER		01
54	0541016210	LH TOOTH COVER		01
55	0503011087	3/8" X 1" BOLT		04
56	0503012553	10MM X 80MM SPRING PIN		02
57	0531050026	COMPLETE DISC PROTECTOR	16	01
58	0521057116	FULL HITCH	17	01



Item	Code	Description	See page	QT
01	0502011050	AGRICULTURAL HOUSING BEARING		01
02	0503011163	1108/UCR BEARING ASSY		01
03	0503010004	1890 GREASE FITTING		01

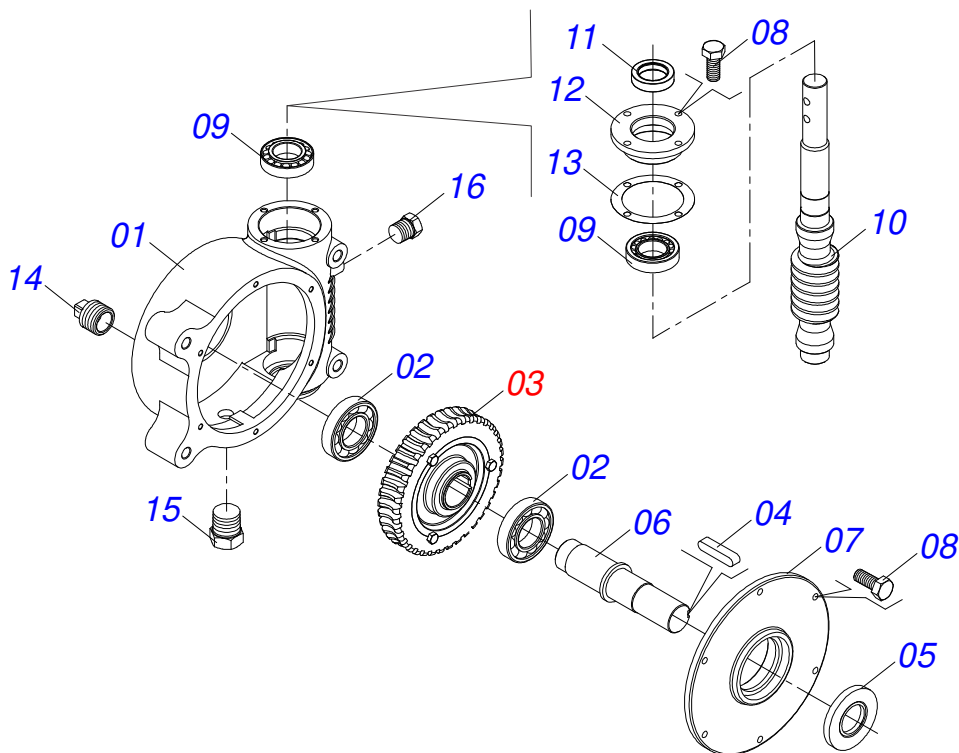


Item	Code	Description	See page	QT
01	0502011962	LEFT CAM,LARGER		01
02	0502011964	LEFT CAM, SMALLER		01
03	0501019734	FLAT WASHER		02
04	0502011917	RIGHT RATCHET LARGER		01
05	0502011916	SMALLE RIGHT RATCHET		01
06	0503012777	90G ELBOW		02

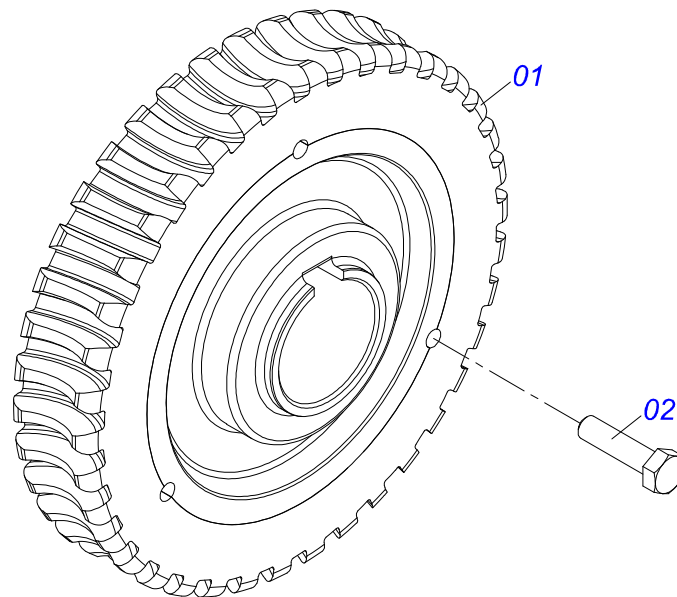


Item	Code	Description	See page	QT
01	0502011963	RIGHT CAM, SMALLER		01
02	0502011961	RIGHT CAM, LARGER		01
03	0501019734	FLAT WASHER		02
04	0502011955	SMALLE LEFT RATCHET		01
05	0503012777	90G ELBOW		02
06	0502011956	LARGER LEFT RATCHET		01

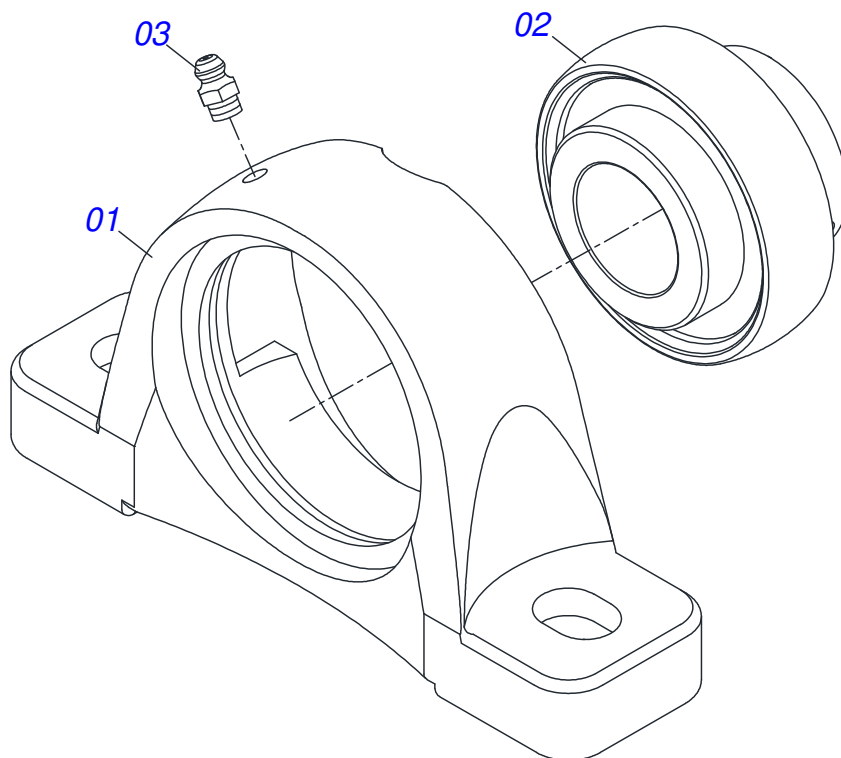
REDUCER



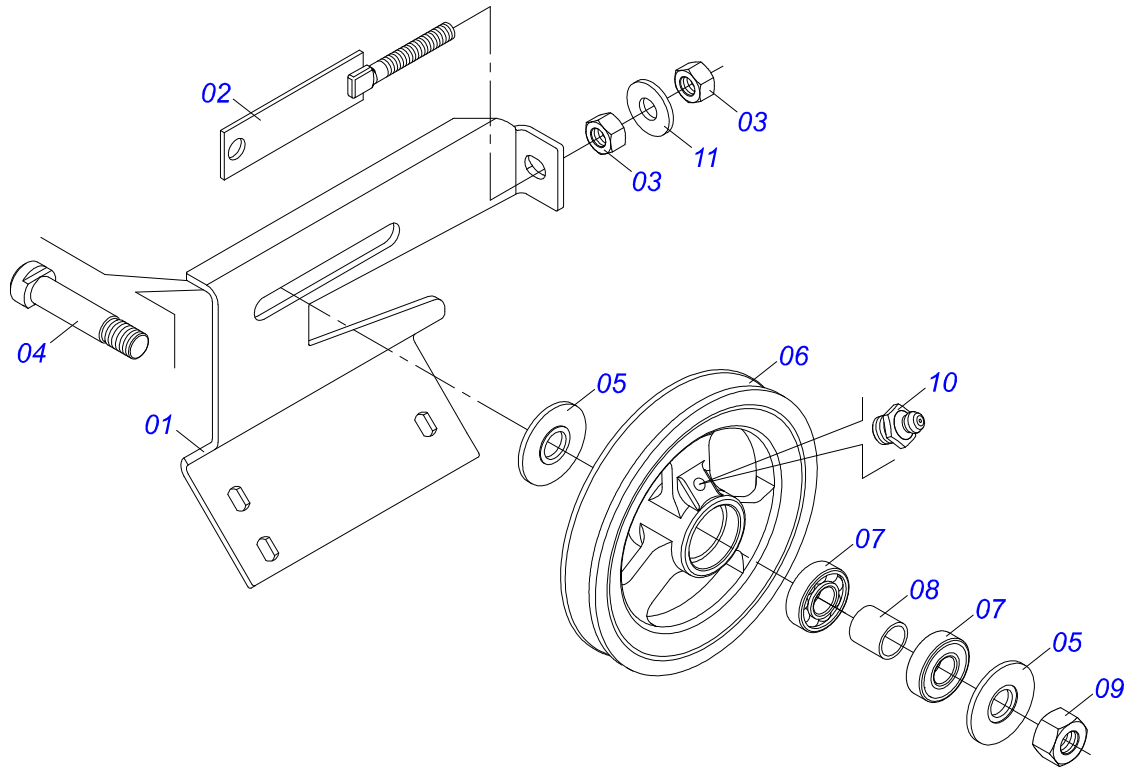
Item	Code	Description	See page	QT
01	0502011456	REDUCTION BOX		01
02	0503011095	6208 BALL BEARING		02
03	0501051774	38Z CROWN	8	01
04	0503011304	1/2" X 2.4" KEYWAY SQUARE		01
05	0503010818	02675-BRG SEAL		01
06	0521010996	AXLE		01
07	0502020556	LARGER COVER		01
08	0503010240	BOLT		10
09	0503010016	BEARING LM		02
10	0521010997	SCREW THEAD		01
11	0503011171	00912-BRG SEAL		01
12	0502011457	SMALLER COVER		01
13	0503030981	102 X 75,5 X 0,10 JOINT		01
14	0521011023	PLUG		01
15	0513010009	LEVEL DISPLAY		01
16	0503010856	OIL PLUG		01



Item	Code	Description	See page	QT
01	0501110280	38Z CONICAL		01
02	0503010365	BOLT 5/16 UNC X 1.1/4 C S G.5 ZN		03

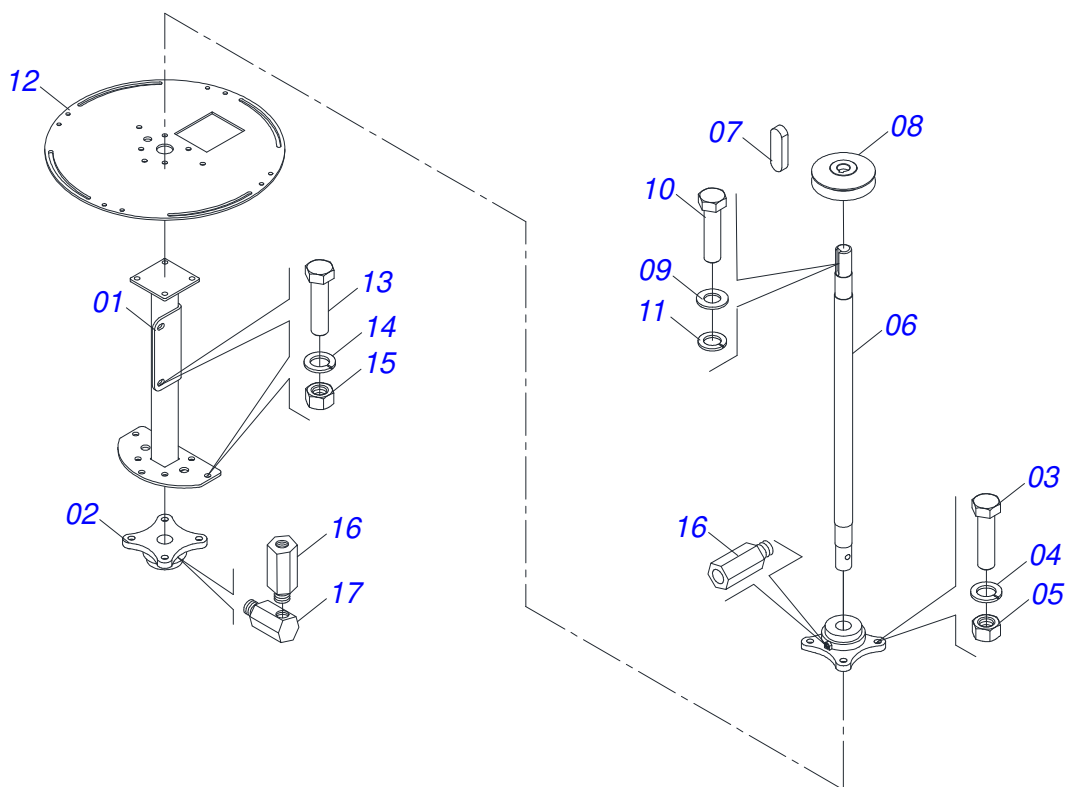


Item	Code	Description	See page	QT
01	0502011954	AGRICULTURAL HOUSING BEARING		01
02	0503011884	BALL BEARING		01
03	0503010691	1/4" GREASE FITTING		01

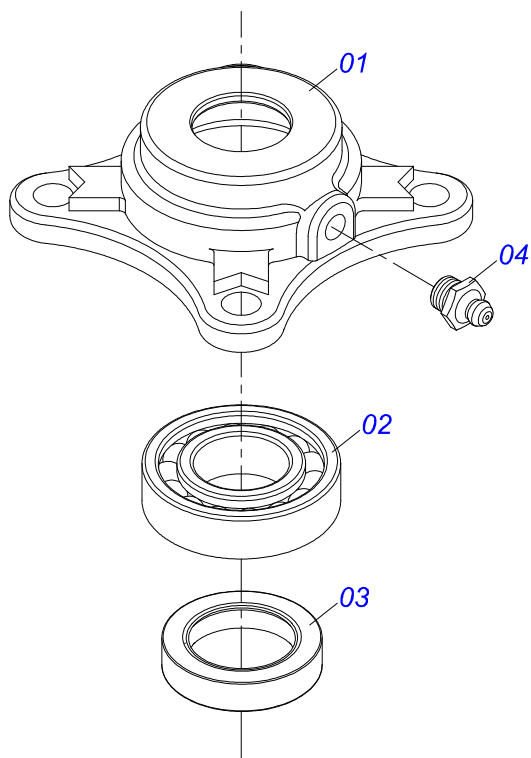


Item	Code	Description	See page	QT
01	0501066100	SUPPORT		01
02	0501065968	1C X 8.3 PULLEY TENSIONER		01
03	0503010013	5/8 NUT		02
04	0511012362	TIGHTENER AXLE PULLEY		01
05	0501019288	WASHER SPACER		02
06	0502011366	REEL 1C 8.3" X 1.6" PULLEY		01
07	0503010690	6204 BALL BEARING		02
08	0521010497	0.8" X 1.1" X 1.1" SPACER		01
09	0503010014	3/4" HEX NUT		01
10	0503010002	1800 GREASE FITTING		01
11	0501012140	FLAT WASHER		01

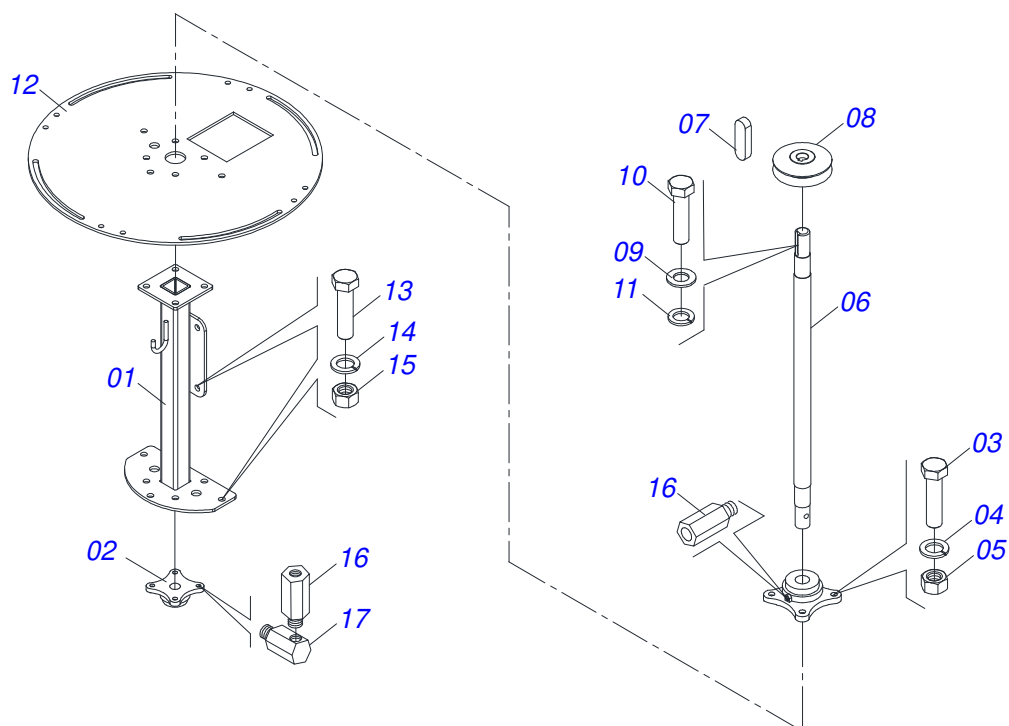




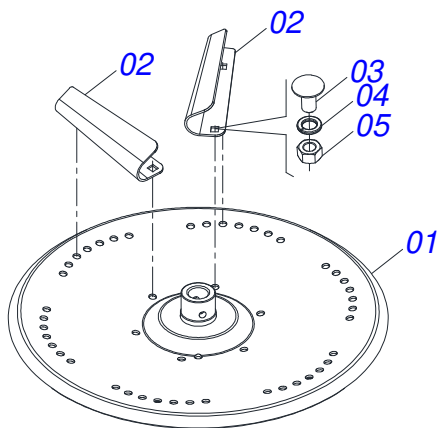
Item	Code	Description	See page	QT
01	0511066462	SUPPORT DISC DISTRIBUTOR RIGHT		01
02	0501048000	AGRICULTURAL BEARING	12	02
03	0503011102	BOLT 7/16 UNC X 1.1/4 C S G.5 ZN		08
04	0503011446	SPRING WASHER		08
05	0503010244	7/16" NUT		08
06	0531010187	DISTRIBUTOR AXLE CONDUCTOR DISC		01
07	0501010536	KEYWAY SQUARE		01
08	0502011361	REEL 1C 5.5" X 1.1" PULLEY		01
09	0511014052	FLAT WASHER		01
10	0503010355	7/16" X 1" BOLT		01
11	0503011446	SPRING WASHER		01
12	0541016208	SUPPORT BODY		01
13	0503010920	1/2 UNC X 1.1/2 C S G.5 ZN BOLT		02
14	0503010019	1/2" SPRING WASHER		03
15	0503010060	1/2 UNC G.5 ZN HEX NUT		03
16	0501019757	EXTENSION GREASE FITTING		01
17	0541016211	EXTENSION GREASE FITTING 1/8 BSP X 34		01



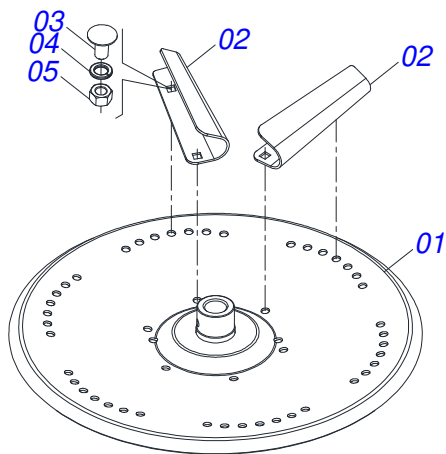
Item	Code	Description	See page	QT
01	0502011442	AGRICULTURAL HOUSING BEARING		01
02	0503010276	6206 BALL BEARING		01
03	0503011865	SEAL		01
04	0503010002	1800 GREASE FITTING		01



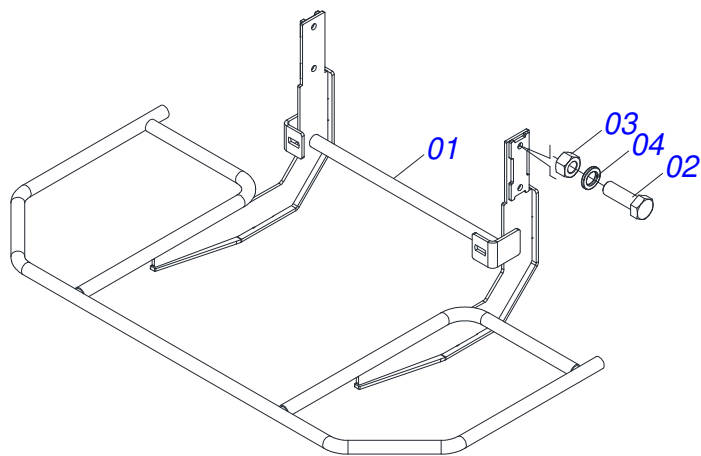
Item	Code	Description	See page	QT
01	0511066461	SUPPORT DISC DISTRIBUTOR LEFT		01
02	0501048000	AGRICULTURAL BEARING	12	02
03	0503011102	BOLT 7/16 UNC X 1.1/4 C S G.5 ZN		08
04	0503011446	SPRING WASHER		08
05	0503010244	7/16" NUT		08
06	0531010187	DISTRIBUTOR AXLE CONDUCTOR DISC		01
07	0501010536	KEYWAY SQUARE		01
08	0502011361	REEL 1C 5.5" X 1.1" PULLEY		01
09	0511014052	FLAT WASHER		01
10	0503010355	7/16" X 1" BOLT		01
11	0503011446	SPRING WASHER		01
12	0541016208	SUPPORT BODY		01
13	0503011102	BOLT 7/16 UNC X 1.1/4 C S G.5 ZN		02
14	0503011446	SPRING WASHER		03
15	0503010244	7/16" NUT		03
16	0501019757	EXTENSION GREASE FITTING		01
17	0541016211	EXTENSION GREASE FITTING 1/8 BSP X 34		01



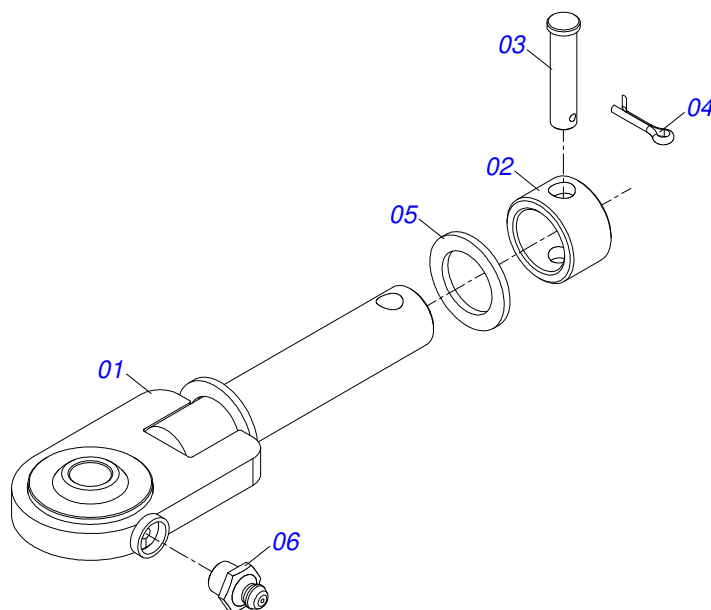
Item	Code	Description	See page	QT
01	0511062433	DISTRIBUTOR DISC		01
02	0521018637	LEFT FLIP		06
03	0503013029	3/8" X 3/4" BOLT		12
04	0503011443	3/8" SPRING WASHER		12
05	0503010026	3/8" NUT		12



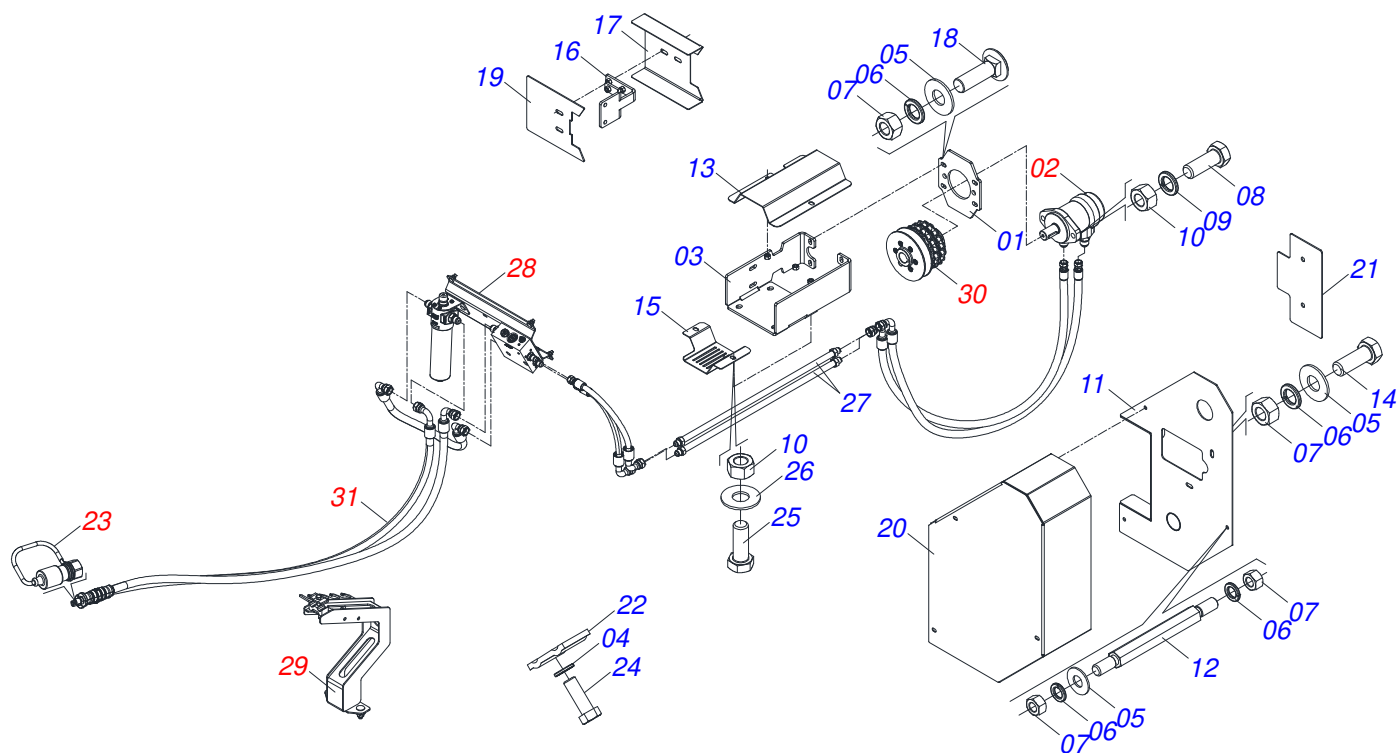
Item	Code	Description	See page	QT
01	0511062433	DISTRIBUTOR DISC		01
02	0521018638	LH FLIP		06
03	0503013029	3/8" X 3/4" BOLT		12
04	0503011443	3/8" SPRING WASHER		12
05	0503010026	3/8" NUT		12



Item	Code	Description	See page	QT
01	0531061416	COMPLETE DISC PROTECTOR		01
02	0503010920	1/2 UNC X 1.1/2 C S G.5 ZN BOLT		04
03	0503010060	1/2 UNC G.5 ZN HEX NUT		04
04	0503011440	SPRING WASHER		04

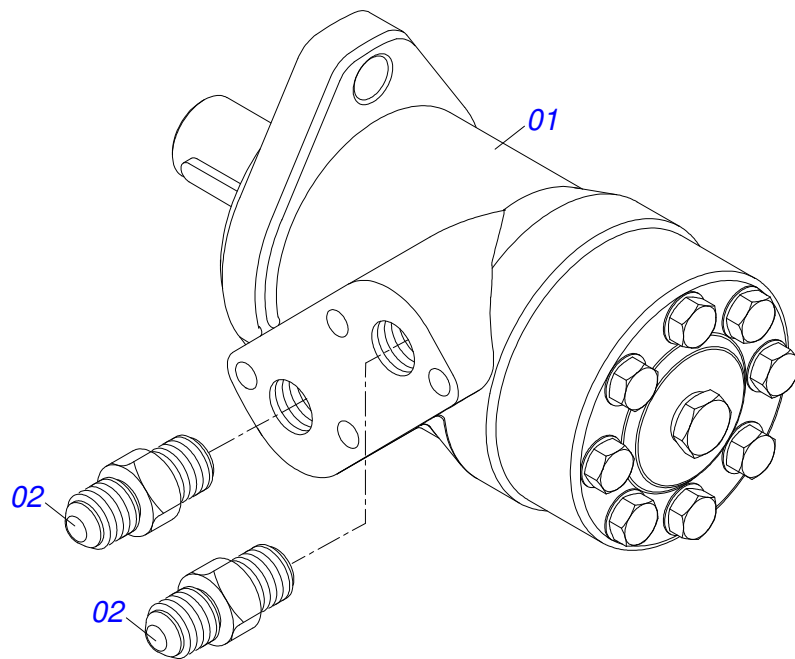


Item	Code	Description	See page	QT
01	0521068793	TRACTOR TRACTOR		01
02	0521010681	BUSHING COUPLING BODY		01
03	0521010639	COUPLING SHAFT		01
04	0503010571	1/4" X 1.1/2" SPLIT PIN		01
05	0501015875	FLAT WASHER		01
06	0503010002	1800 GREASE FITTING		01

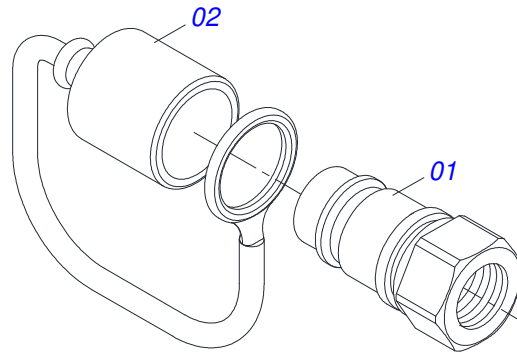


Item	Code	Description	See page	QT
01	0581014213	SUPPORT HYDRAULIC MOTOR		01
02	0511053588	MOTOR HYDRAULIC OMP 80 WITH NIPPLE 7/8 19 NIPPE 7/8		01
03	0521067759	SUPPORT FIXING BASE		01
04	0503010180	7/16" SPRING WASHER		02
05	0501013518	FLAT WASHER		19
06	0503010025	3/8 SPRING WASHER		24
07	0503010026	3/8" NUT		14
08	0503010920	1/2 UNC X 1.1/2 C S G.5 ZN BOLT		02
09	0503010019	1/2" SPRING WASHER		02
10	0503010060	1/2 UNC G.5 ZN HEX NUT		06
11	0521067758	PROTETION REAR		01
12	0521012365	HEX PRISONER		03
13	0581014208	SUPERIOR PROTECTION COVER		01
14	0503010237	3/8" X 1" BOLT		14
15	0581014207	LOWER PROTECTION		01
16	0521067760	SUPPORT		01
17	0581014205	PROTECTION COVER BELT		01
18	0501010942	3/8" X 1-1/4" BOLT		04
19	0581014206	PROTETION REAR		01
20	0581014211	CHAIN CAP		01
21	0581014210	COVER		01
22	0531011180	UPPER BODY CLIP		02
23	0501053834	MALE QUICK COUPLER	20	02
24	0503011102	BOLT 7/16 UNC X 1.1/4 C S G.5 ZN		02
25	0503010905	1/2" X 2-1/4" BOLT		04
26	0511017302	FLAT WASHER 13,50 X 32,50 X 3,0 ZN		04
27	0521069289	OIL DUCT R.7/8 X 2100		02
28	0521057951	SUPPORT SIMPLE HYDRAULIC DRIVE	21	01
29	0521058094	SUPPORT HOSE	25	01
30	0521058096	COUPLING ASSEMBLY	26	01
31	0521058119	SIMPLE HYDRAULIC ACTUATION HOSE SET	29	01

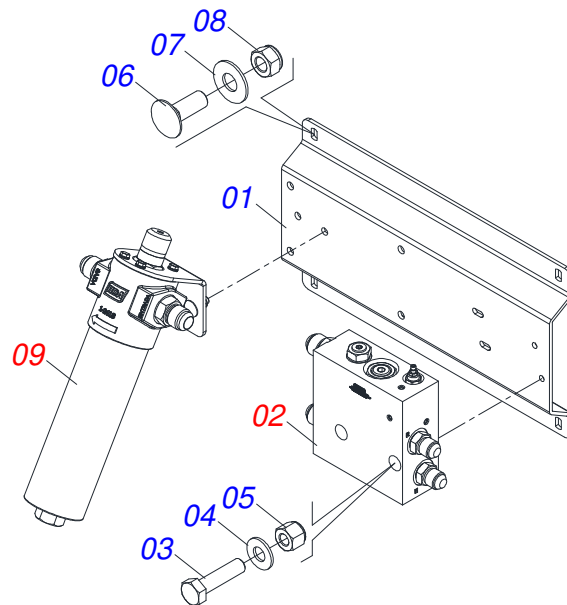




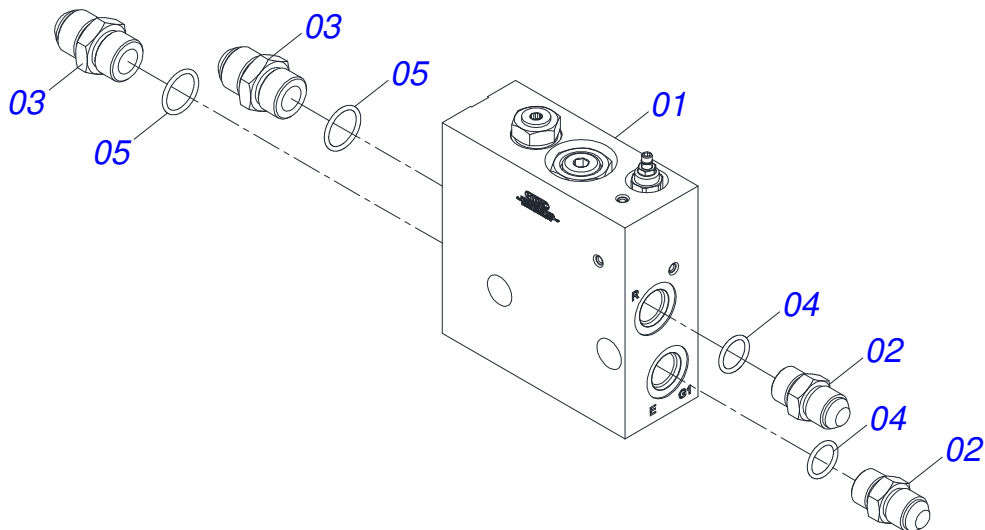
Item	Code	Description	See page	QT
01	0503016055	PARKER OMP 80 ISOBUS HYDRAULIC MOTOR		01
02	0511014065	7/8" NF X R1/2NPT X 52 NIPPLE		02



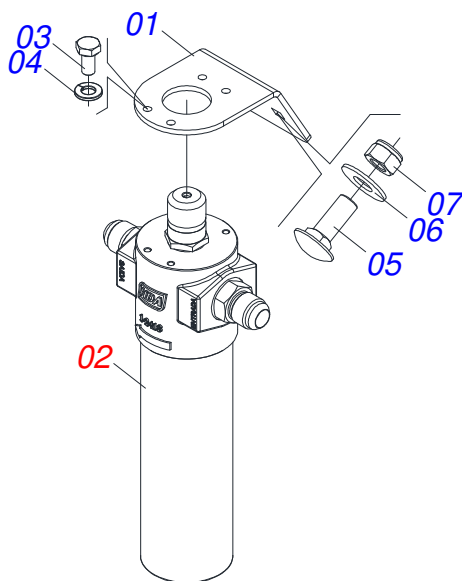
Item	Code	Description	See page	QT
01	0503011627	MALE QUICK COUPLER AGR 1/2 NPT		01
02	0503011882	MALE QUICK COUPLER CAP		01



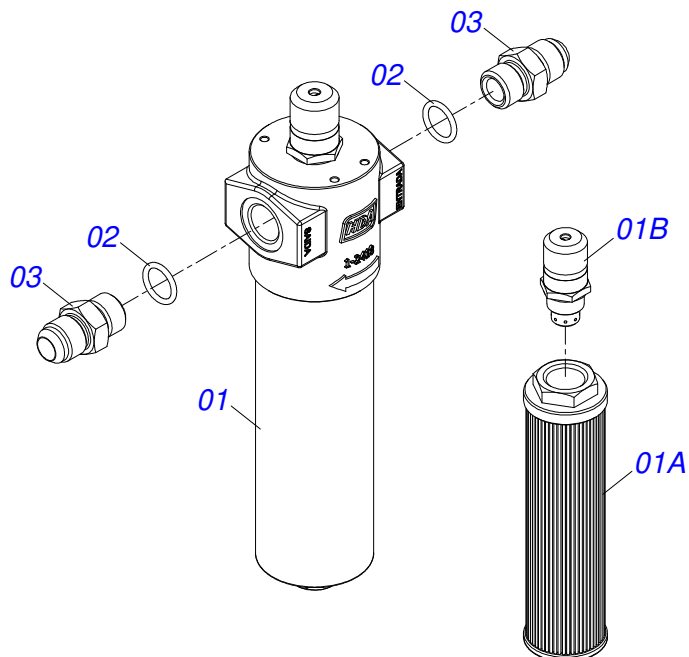
Item	Code	Description	See page	QT
01	0591013644	SUPPORT SET HIDRAULICO		01
02	0521057953	BLOCK HYDAC	22	01
03	0503011766	5/16" X 2-1/2" BOLT		02
04	0501010694	FLAT WASHER		02
05	0503013759	NUT		02
06	0501011643	3/8 X 1" BOLT		04
07	0501013518	FLAT WASHER		04
08	0503013357	3/8 SELF-ADJUSTING NUT		04
09	0521057952	FILTER PRES PARKER HDA FP20 10FV 06B LV6	23	01



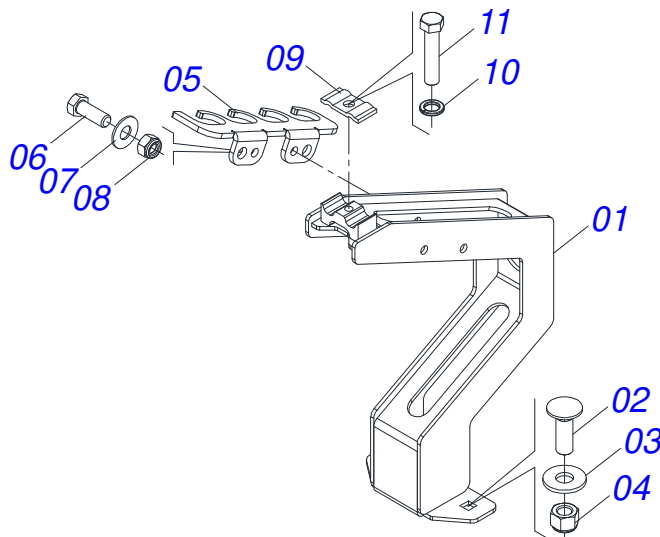
Item	Code	Description	See page	QT
01	0503063271	BLOCK		01
02	0501010590	NIPPLE		02
03	0501010589	R. 1.1/16UN SEXT 1.1/4 X 52 NIPPLE		02
04	0503010045	O'RING		02
05	0503011109	2-119 N 3006-9B O'RING		02



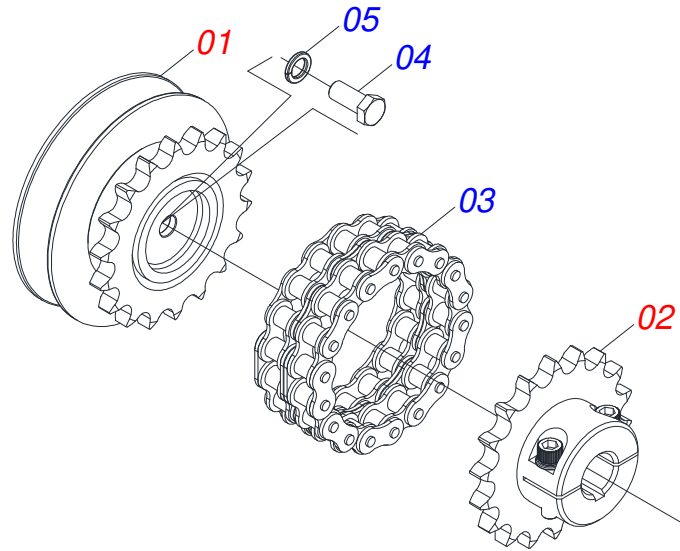
Item	Code	Description	See page	QT
01	0591013645	PRESSURE FILTER SUPPORT		01
02	0521057599	FILTER PRESS PARKER HDA FP20 10FV 06B LV6 24 WITH NIPPLE		01
03	0503011812	BOLT M6 X 1 X 12 CS 8.8 ZN		04
04	0503010143	1/4" SPRING WASHER		04
05	0501011643	3/8 X 1" BOLT		02
06	0501013518	FLAT WASHER		02
07	0503013357	3/8 SELF-ADJUSTING NUT		02



Item	Code	Description	See page	QT
01	0503063077	PRESSURE FILTER PARKER HDA FP20 10FV 06B LV6		01
01A	0503035357	FILTERING ELEMENT FOR PRESSURE FILTER		01
01B	0503019963	DIRT PRESSURE LINE INDICATOR		01
02	0503010605	O'RING		02
03	0591012696	NIPPLE 3/4 BSP X 1.1/16 UNF		02

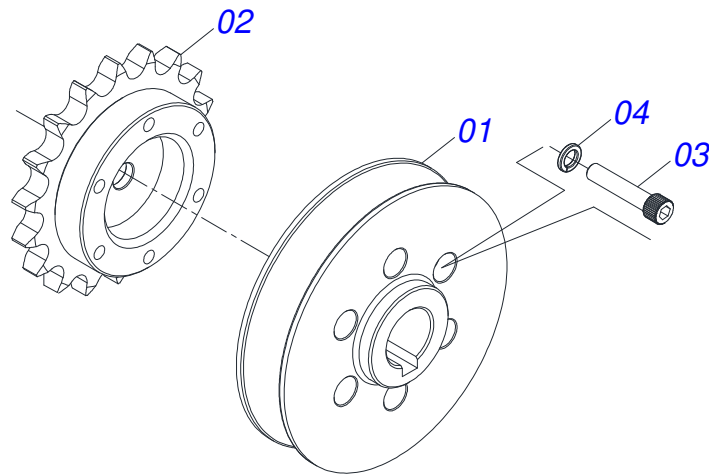


Item	Code	Description	See page	QT
01	0531060944	HOSE HOLDER ASSY		01
02	0503014378	1/2" X 1-1/2" BOLT		02
03	0511017302	FLAT WASHER 13,50 X 32,50 X 3,0 ZN		02
04	0503010589	1/2" UNC SELF ADJUSTING NUT		02
05	0591018556	HOSE FIXER ASSY		01
06	0503011087	3/8" X 1" BOLT		02
07	0501013518	FLAT WASHER		02
08	0503013357	3/8 SELF-ADJUSTING NUT		02
09	0531011180	UPPER BODY CLIP		01
10	0503010180	7/16" SPRING WASHER		01
11	0503011173	7/16" X 2" BOLT		01

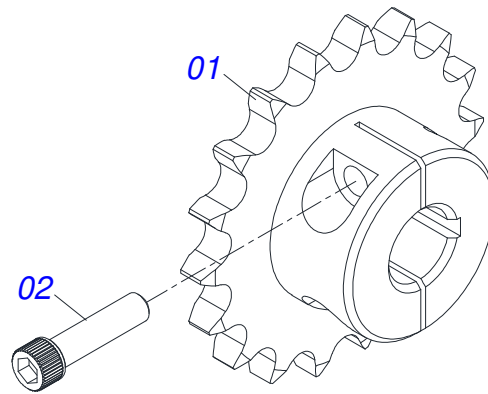


Item	Code	Description	See page	QT
01	0521058097	REEL	27	01
02	0521056365	P15,88 18Z GEAR SHAFT 25.40 KEYWAY 1/4 FULL	28	01
03	0503019469	CURRENT		01
04	0503010355	7/16" X 1" BOLT		01
05	0503011446	SPRING WASHER		01

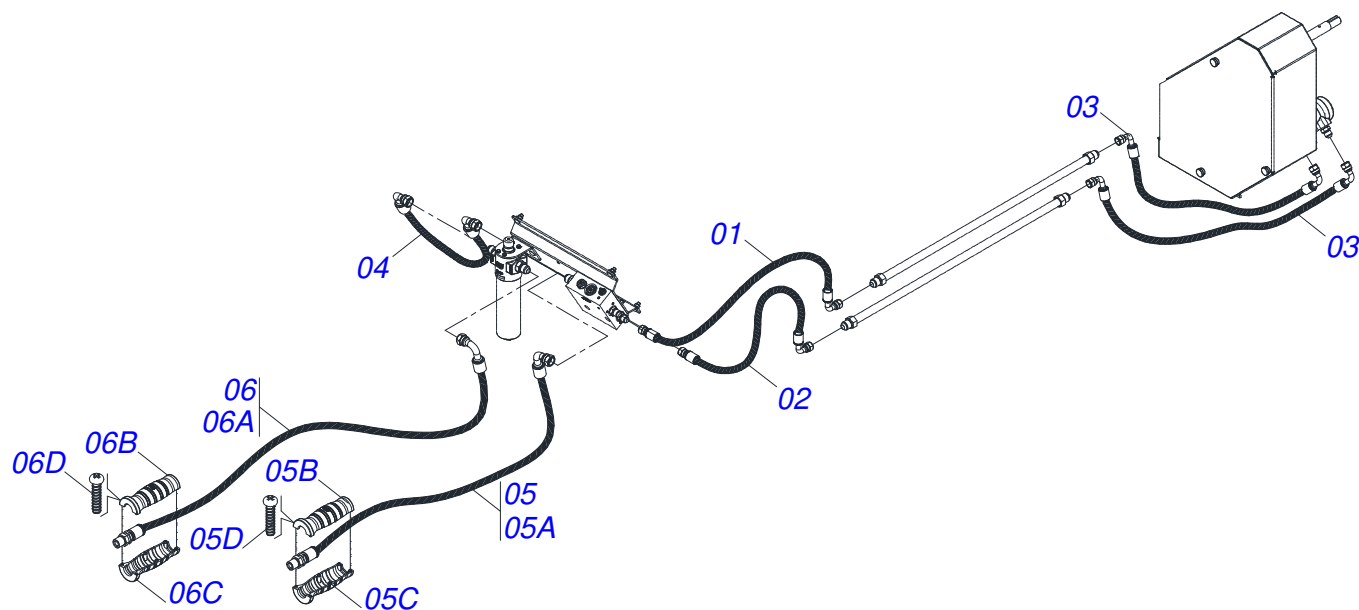




Item	Code	Description	See page	QT
01	0591013842	REEL		01
02	0531060945	GEAR		01
03	0503014521	5/16 UNC X 1.1/2 CCSI 12.9 BOLT		06
04	0503011444	SPRING WASHER		06

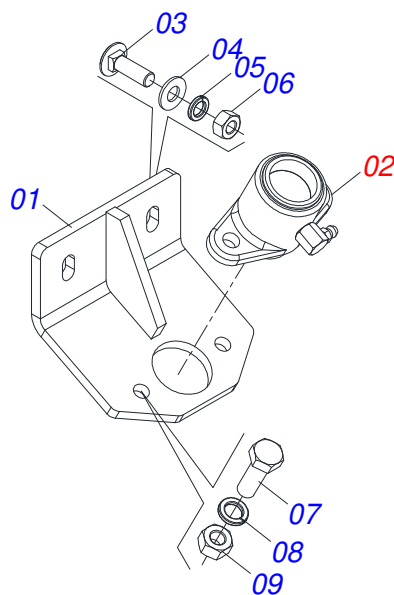


Item	Code	Description	See page	QT
01	0531060145	18Z GEAR P15.88 SHAFT 25.40 KEY 1/4		01
02	0503015348	3/8" BOLT		02

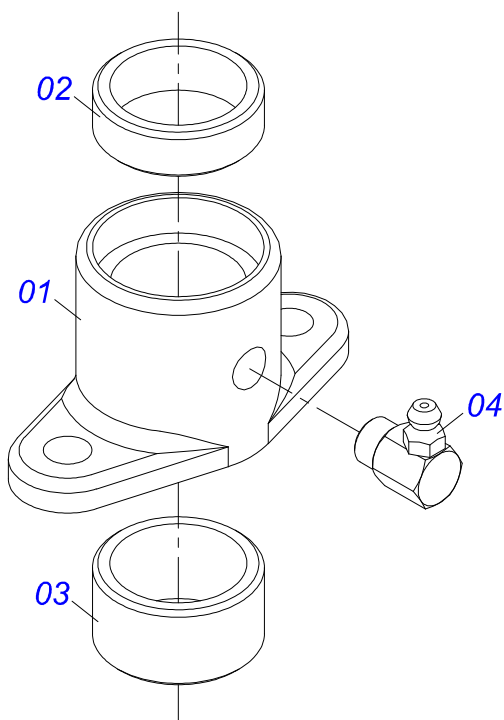


Item	Code	Description	See page	QT
01	0501080040	HOSE 1/2 X 500 TR-TC		01
02	0501080113	1/2 X600 HOSE TR-TC		01
03	0501080093	1/2 X 1300 HOSE TR-TC		02
04	0501081365	HOSE 3/4 X 680 TC-TC 180G		01
05	0521057977	HOSE 3/4 X 2100 TC-TM AMARILLO/AZUL		01
05A	0501082295	HOSE 3/4 X 2100 TC - TM R.1/2NPT		01
05B	0503034493	HYDRAULIC HOSE DEPTH (YELLOW)		01
05C	0503034494	HYDRAULIC HOSE GRIP (BLUE)		01
05D	0503018952	PH 2,5 X 10 ZB PLASTIC BOLT		06
06	0521057976	HOSE 3/4 X 2100 TC-TM YELLOW/RED		01
06A	0501082295	HOSE 3/4 X 2100 TC - TM R.1/2NPT		01
06B	0503034493	HYDRAULIC HOSE DEPTH (YELLOW)		01
06C	0503034495	HYDRAULIC HOSE GRIP (RED)		01
06D	0503018952	PH 2,5 X 10 ZB PLASTIC BOLT		06

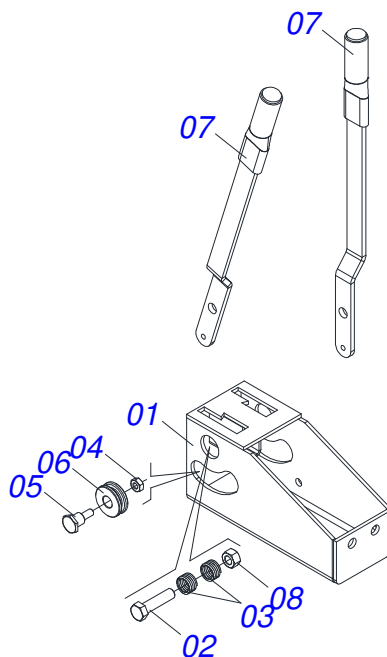
FIXER BEARING



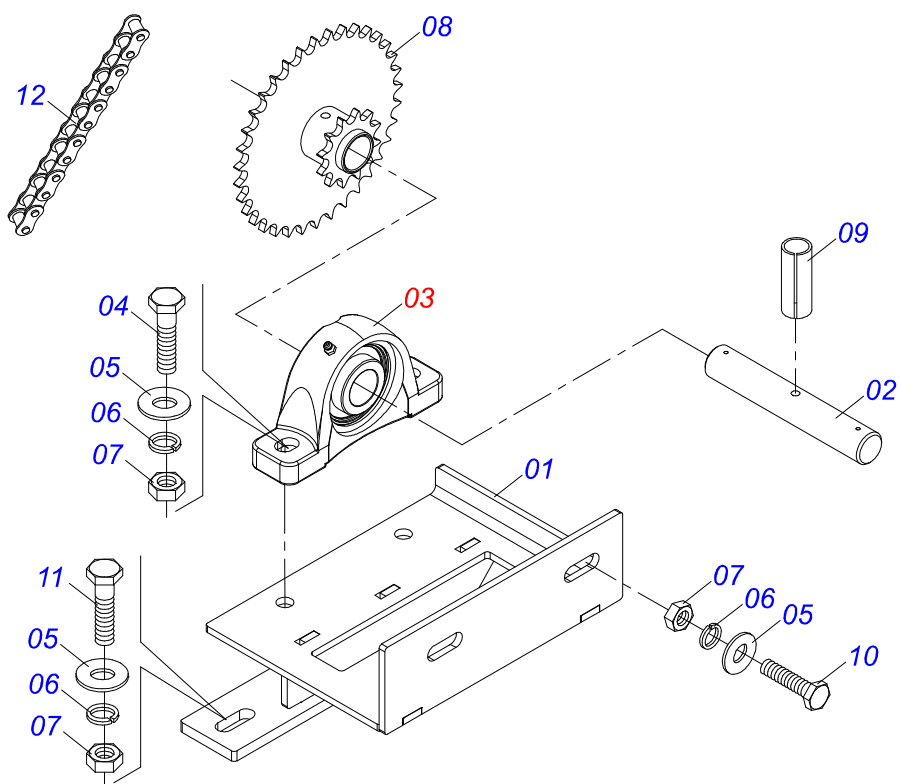
Item	Code	Description	See page	QT
01	0511066452	SLUICE VALVE FIXER BEARING		01
02	0511059094	SHAFT BEARING THREADED	31	01
03	0503030796	5/16" X 1" BOLT		02
04	0501010694	FLAT WASHER		02
05	0503010179	LOCK WASHER 5/16 ZN 1K01528		02
06	0503010337	5/16" NUT		02
07	0503010371	5/16" X 1" BOLT		02
08	0503011444	SPRING WASHER		02
09	0503010337	5/16" NUT		02



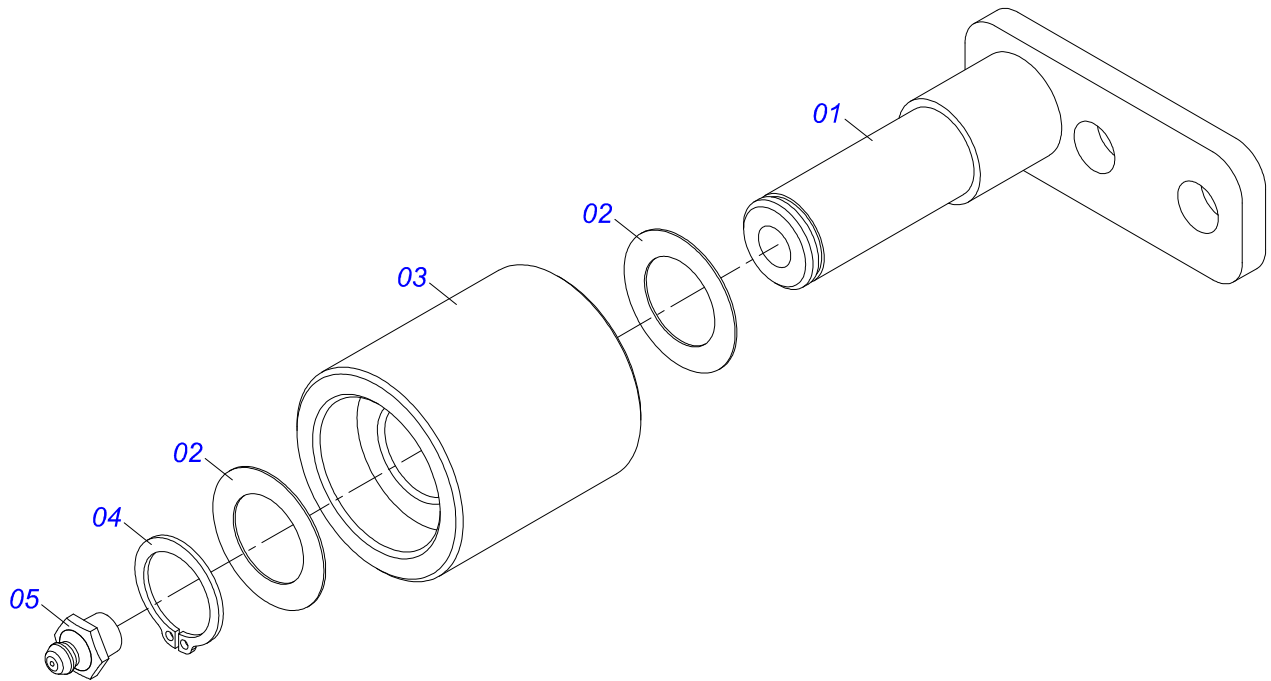
Item	Code	Description	See page	QT
01	0502010581	ROD BEARING		01
02	0521010458	SLEEVE		01
03	0521010457	SLEEVE		01
04	0503010004	1890 GREASE FITTING		01



Item	Code	Description	See page	QT
01	0511062435	STEEL BOX LEVER CABLE		01
02	0503010547	1/2" X 4" BOLT		01
03	0503031719	0.7" X 1" X 1,1" COMPRESSION SPRING		02
04	0503013814	1/4" NC LOCKNUT		02
05	0581018035	AXLE PULLEY		02
06	0581018034	REEL		02
07	0531061430	LEVER		02
08	0503011336	1/2" HEX SELF ADJUSTING NUT		01

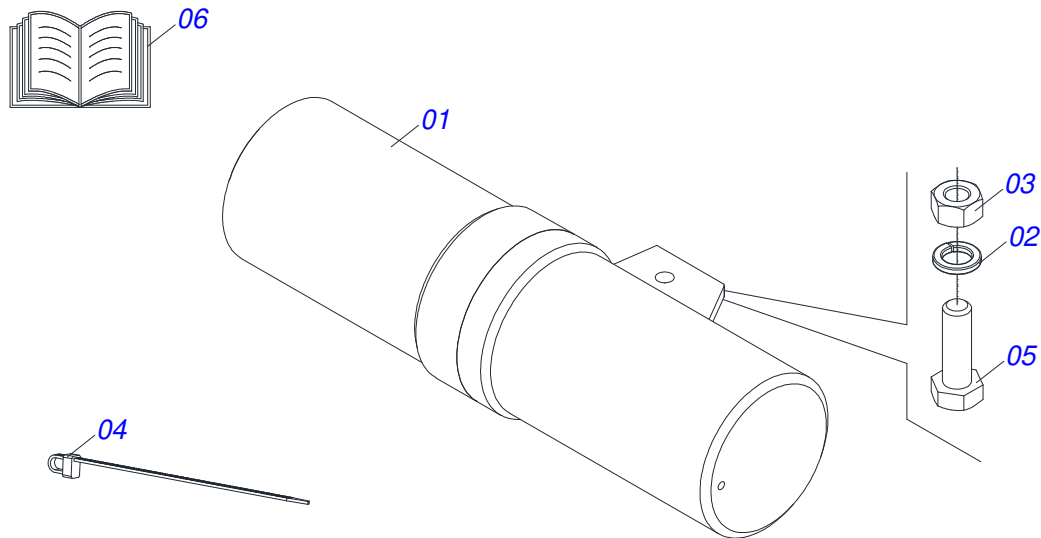


Item	Code	Description	See page	QT
01	0511066460	SUPER REDUCTION		01
02	0531010272	REDUCTION AXLE SUPER		01
03	0511041213	AGRICULTURAL BEARING	9	02
04	0503011082	C1/2" X 1.3/4" SCREW		04
05	0511017302	FLAT WASHER 13,50 X 32,50 X 3,0 ZN		08
06	0503010019	1/2" SPRING WASHER		08
07	0503010060	1/2 UNC G.5 ZN HEX NUT		08
08	0511062364	REDUCTION GEAR SUPER		01
09	0503011855	0.2" X 1.8" SPRING PIN		01
10	0503010395	1/2" X 1-1/4" BOLT		02
11	0503010920	1/2 UNC X 1.1/2 C S G.5 ZN BOLT		02
12	0503012942	50-1 CHAIN X 46 LINK + REDUCTION		01



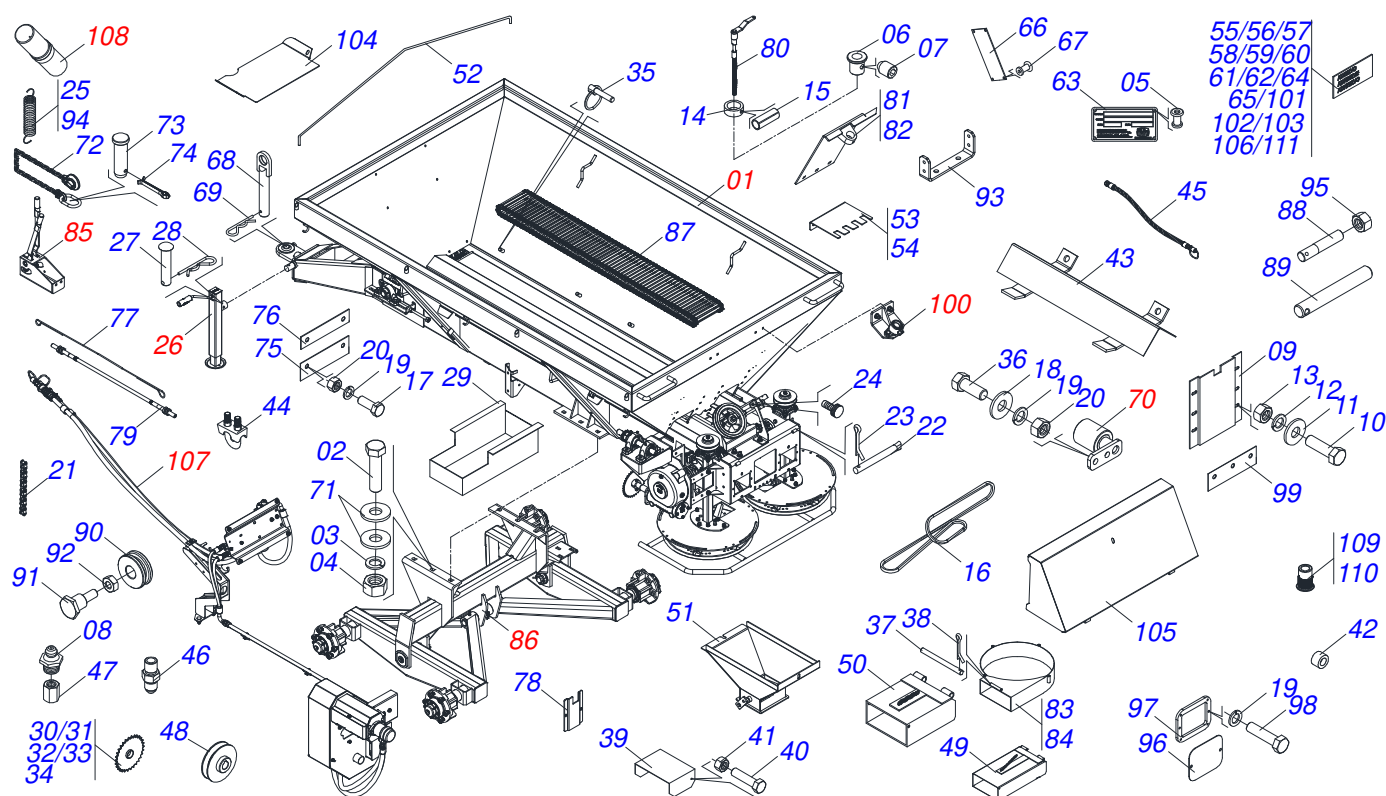
Item	Code	Description	See page	QT
01	0501067692	BELT TENSIONER BODY		01
02	0511015098	FLAT WASHER		02
03	0511017041	TENSIONER ROLD		01
04	0503010302	501019 SEAL RING		01
05	0503010002	1800 GREASE FITTING		01





Item	Code	Description	See page	QT
01	0503060100	INSTRUCTIONS MANUAL CANISTER		01
02	0503010179	LOCK WASHER 5/16 ZN 1K01528		01
03	0503010337	5/16" NUT		01
04	0503010267	NYLON CLAMP		01
05	0503010363	BOLT 5/16 UNC X 1 C S G.2 ZN		01
06	0501090640	INSTRUCTION MANUAL		01

ASSY FRAME



Item	Code	Description	See page	QT
001	0521050895	SEMI MOUNTED HUNTING	3	01
002	0503010899	5/8 UNC X 2.1/4 BOLT		06
003	0503010027	5/8 SPRING WASHER		06
004	0503010013	5/8 NUT		06
005	0503010001	3.2 X 5.5 RIVET		08
006	0541016204	ADJUSTMENT NUT DCA-DC		02
007	0503011148	3/8" X 1/2" BOLT		02
008	0503010002	1800 GREASE FITTING		08
009	0531017187	SLUICE VALVE GUIDE		02
010	0503011953	5/16" X 1" BOLT		22
011	0501010694	FLAT WASHER		22
012	0503010179	LOCK WASHER 5/16 ZN 1K01528		22
013	0503010337	5/16" NUT		22
014	0511013015	SLEEVE		02
015	0503010561	SPRING PIN		02
016	0503010154	C-128 BELT		01
017	0503010237	3/8" X 1" BOLT		12
018	0501010984	10,50 X 27 X 3,00 FLAT WASHER		21
019	0503010025	3/8 SPRING WASHER		20
020	0503010026	3/8" NUT		20
021	0503013002	50-1 CHAIN X 81 LINK + MENDING + REDUCTION		01
022	0501017574	0.3" X 2.7" AXLE		02
023	0503010140	1/8" X 3/4" SPLIT PIN		04
024	0503010386	CABLE		01
025	0503030198	0.6" X 2.4" X 0.1" EXTENSION SPRING		01
026	0503062157	DRAWBAR JACK		01
027	0521010549	COUPLING SHAFT		01
028	0503030168	HITCH PIN CLIP		01
029	0511062421	COLLECION BOX		01
030	0511062447	17Z P0.6" GEAR		01
031	0511062448	26Z P0.6" GEAR		02



## ASSY FRAME

0521047230

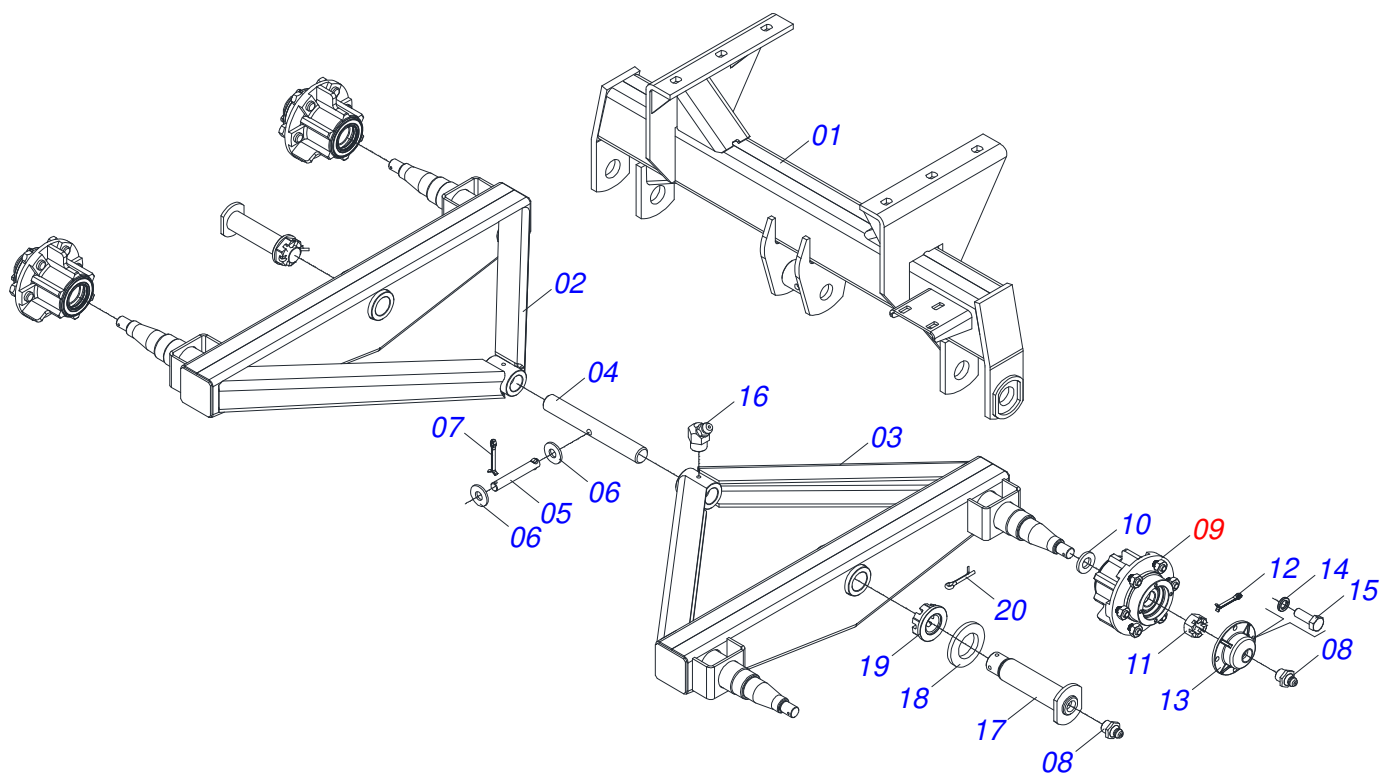
Item	Code	Description	See page	QT
032	0501069020	35Z GEAR		02
033	0511062449	40Z P0.7" GEAR		01
034	0511062450	47Z P0.6" GEAR		01
035	0503030085	LOCK PIN		12
036	0503010751	C3/8" X 1.1/4" HEX BOLT G.5		04
037	0531010081	0.6" X 10.8" AXLE		02
038	0503010257	1/8" X 1" SPLIT PIN		04
039	0541016214	BODY ADJUSTMENT HEIGHT		02
040	0503013813	1/4" UNC X 7/8" BOLT		04
041	0503010144	1/4" NUT		08
042	0541015142	SLEVE GUIDE		02
043	0511066459	DEFLECTOR		04
044	0503010431	1/8" CABLO STEEL STAPLE		08
045	0501081198	1/4 X 390 HOSE		04
046	0503012776	1/8" NF NIPPLE		04
047	0531013919	GREASE FITTING FIXER		04
048	0502011953	3.7 X 1.1 REEL		01
049	0511066448	BICA DRIVERS		02
050	0511067201	BICA LONG DRIVERS		02
051	0511066615	DIRECT SOCKET		02
052	0531010057	GUARD BRACKET		04
053	0541016209	RH TOOTH COVER		01
054	0541016210	LH TOOTH COVER		01
055	0503031652	ADHESIVE LABEL		01
056	0503031859	ADHESIVE LABEL DANGER		02
057	0503031428	READ MANUAL DECAL		01
058	0503031827	LUBRICATE AND RETIGHTEN DAILY DECAL		01
059	0503031087	AUTO CONTROL APPROVED DECAL		01
060	0503031688	ADHESIVE LABEL		01
061	0503031818	ADHESIVE LABEL		01
062	0503031809	ADHESIVE LABEL		01
063	0503034003	61 X 118 SERIAL NUMBER TAG		01
064	0503032949	ADHESIVE LABEL		01
065	0503036144	MAXIMUM SPEED ADHESIVE LABEL		01
066	0503030751	REGULATOR PLATE		01
067	0503012209	RIVET POP		08
068	0501068989	COUPLING SHAFT		01
069	0503031035	HITCH PIN CLIP		01
070	0501050829	CHAIN TENSIONER	34	01
071	0501012140	FLAT WASHER		12
072	0503013150	1300 X 3/8 CHAIN		01
073	0581011220	COUPLING SHAFT		01
074	0503010131	3/16" X 1.1/2" SPLIT PIN		01
075	0531010059	7.1" X 3.3" X 0.1" PROTECTION		02
076	0531010273	RUBBER SUPPORT FIXER COVER		02
077	0531010467	1/8" X 255" STEEL CABLE		02
078	0531017384	RATCHET PROTECTION		01
079	0503012779	STEEL CONDUCTOR CABLO 1/8"		02
080	0511066463	SLUICE VALVE JACK REGULATOR		02
081	0511066458	LH SLUICE VALVE COVER		01
082	0511066457	RH SLUICE VALVE COVER		01
083	0511066450	LEFT CONTROLLER		01
084	0511066449	RIGHT CONTROLLER		01
085	0501053157	LEVER BOX CABLE STEEL	32	01
086	0521046045	FIXING STAND ASSY	37	01
087	0511048562	DRIVE ESTABILIZER DCA		02
088	0581016925	PRISONER		02
089	0581018030	DISASSEMBRE AXLE		02
090	0581018034	REEL		02



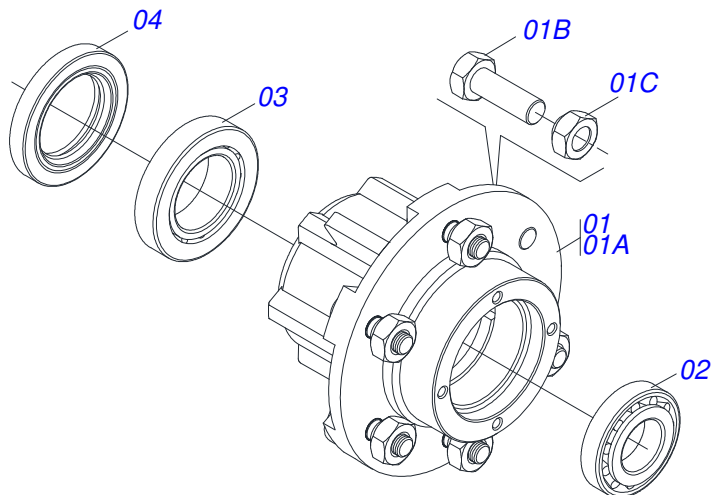
ASSY FRAME

0521047230

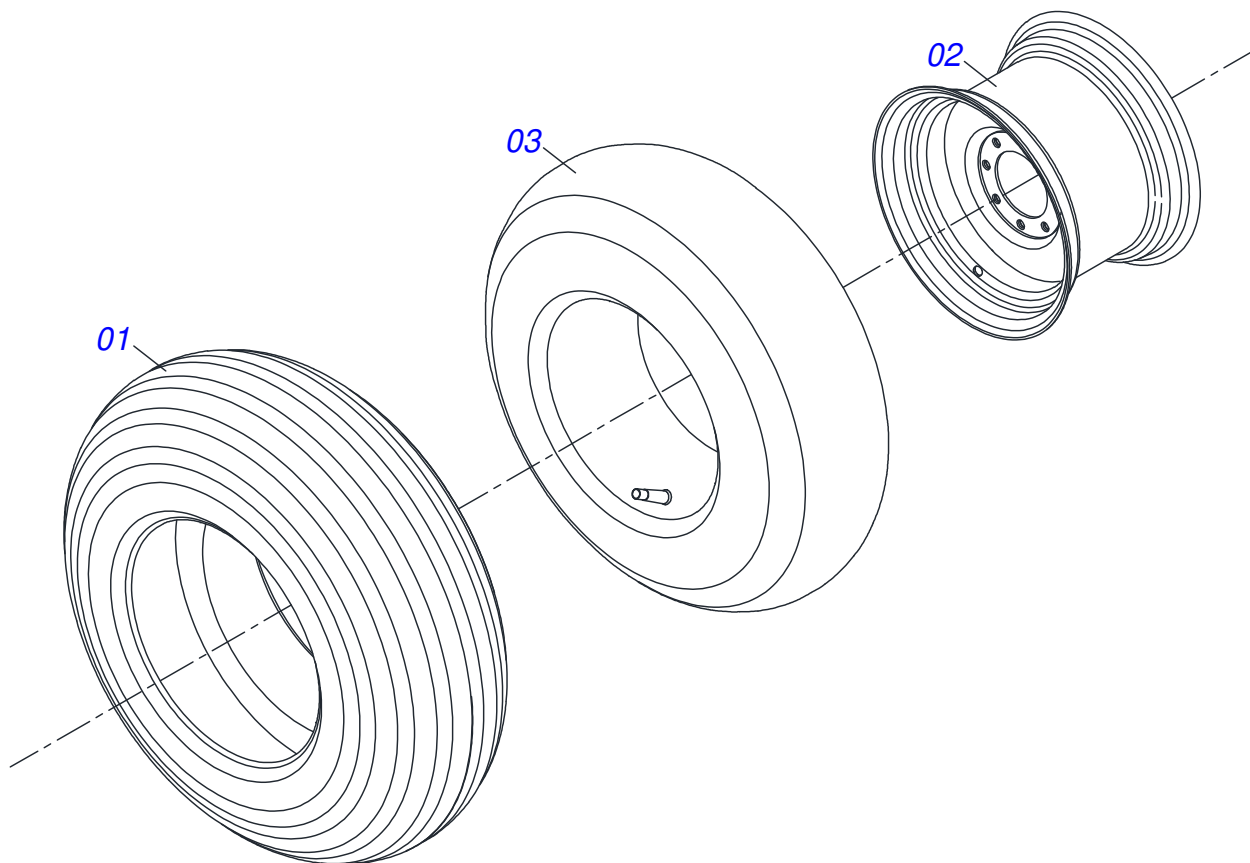
Item	Code	Description	See page	QT
091	0581018035	AXLE PULLEY		02
092	0503013814	1/4" NC LOCKNUT		02
093	0581018047	STRETCHER SPINDLE FIXER		01
094	0503030093	TRACTION SPRING		02
095	0503010060	1/2 UNC G.5 ZN HEX NUT		04
096	0581018031	REAR PROTECTION		02
097	0581018033	REAR PROTECTION FIXER SUPPORT		02
098	0503010256	3/8" X 3/4" BOLT		06
099	0503034731	SCRAPER		02
100	0521053728	FIXER BEARING	30	02
101	0503034729	ADHESIVE LABEL		02
102	0503034727	ADHESIVE LABEL		02
103	0503034728	ADHESIVE LABEL		04
104	0541018667	FRONT COVER		01
105	0501069840	REAR COVER PROTECTION		01
106	0503034648	ADHESIVE LABEL		01
107	0521058125	HYDRAULIC DRIVE ASSEMBLY	18	01
108	0531050025	ASSY MANUAL DOOR	35	01
109	0503019416	RIVET SCREW THREAD INTERNAL		02
110	0503019413	THREAD SCREW INTERNAL		04
111	0503031427	ADHESIVE LABEL		01



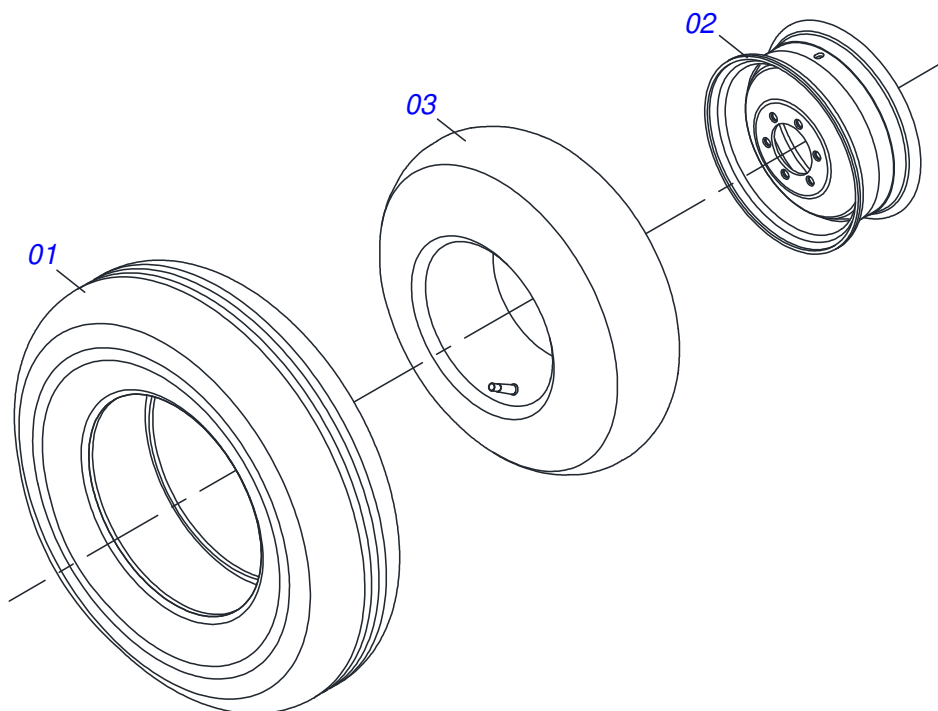
Item	Code	Description	See page	QT
01	0521062814	BELL CRANK SUPPORT FIXATION		01
02	0501069182	RIGHT ROCKER ARM		01
03	0501069183	LEFT ROCKER ARM		01
04	0521011118	COUPLING SHAFT		01
05	0521010553	0.5" X 3" COUPLING SHAFT		01
06	0511017302	FLAT WASHER 13,50 X 32,50 X 3,0 ZN		02
07	0503010577	3/16" X 1.1/4" SPLIT PIN		01
08	0503010002	1800 GREASE FITTING		06
09	0501051142	CARRYING WHEEL HUB	38	04
10	0501016545	FLAT WASHER		04
11	0503030009	1" CASTLE NUT		04
12	0503010131	3/16" X 1.1/2" SPLIT PIN		04
13	0502020591	PROTECCION COVER		04
14	0503011444	SPRING WASHER		16
15	0503010358	5/16" X 5/8" BOLT		16
16	0503010003	1845 GREASE FITTING		02
17	0521069952	COUPLING SHAFT		02
18	0501010086	FLAT WASHER		02
19	0503011052	1.1/4" X 0.77" CASTLE NUT		02
20	0503010010	1/4" X 2.1/2" SPLIT PIN		02



Item	Code	Description	See page	QT
01	0501110728	WHEEL HUB		01
01A	0502011121	CARRYING WHEEL HUB		01
01B	0501010127	9/16" X 1-7/8" LUG BOLT		06
01C	0503010035	9/16" CONIC NUT		06
02	0503010037	30207 ROLLER BEARING		01
03	0503010006	32210 ROLLER BEARING		01
04	0503012928	SEAL		01



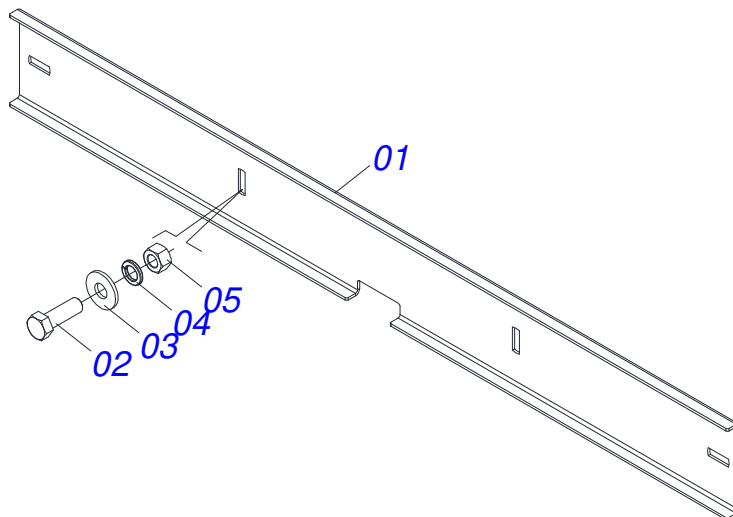
Item	Code	Description	See page	QT
01	0503010858	CANVAS TIRE		01
02	0503011468	WEEL		01
03	0503010860	AIR CHAMBER 11L 15		01



Item	Code	Description	See page	QT
01	0503010120	CANVAS TIRE		01
02	0521062708	WHEEL 5,50 X 16 X 118 X 6F 16,50 X 152,40		01
03	0503010033	7.50 X 16 INNER TIRE		01



BAMPER



Item	Code	Description	See page	QT
01	0501019838	BAMPER		01
02	0503010920	1/2 UNC X 1.1/2 C S G.5 ZN BOLT		02
03	0511017302	FLAT WASHER 13,50 X 32,50 X 3,0 ZN		02
04	0503010019	1/2" SPRING WASHER		02
05	0503010060	1/2 UNC G.5 ZN HEX NUT		02





**MARCHESAN**

**Technical Publications | Elaboration and Revision**

ALESSANDRA PATRICIA KAWAHARA CARRILI

[www.marchesan.com.br](http://www.marchesan.com.br)

