

**PCA T / PCA PLUS - AGRICULTURAL FRONT LOADER**

# **PCA PLUS 1500 VALTRA A750/850/950 BT CD JS AR S/AC**

**Code:** 0501092050

**Series:** S-1015

**Revision:** 00

**Date Revision:** ABRIL/2021

# **PARTS CATALOGUE**



**MARCHESAN**



# PRODUCTS

Code	Description
0106111704	PCA PLUS 1500 VTR A750/85/950 BTCD JS AR S/AC S716

## ATTENTION: IMPORTANT

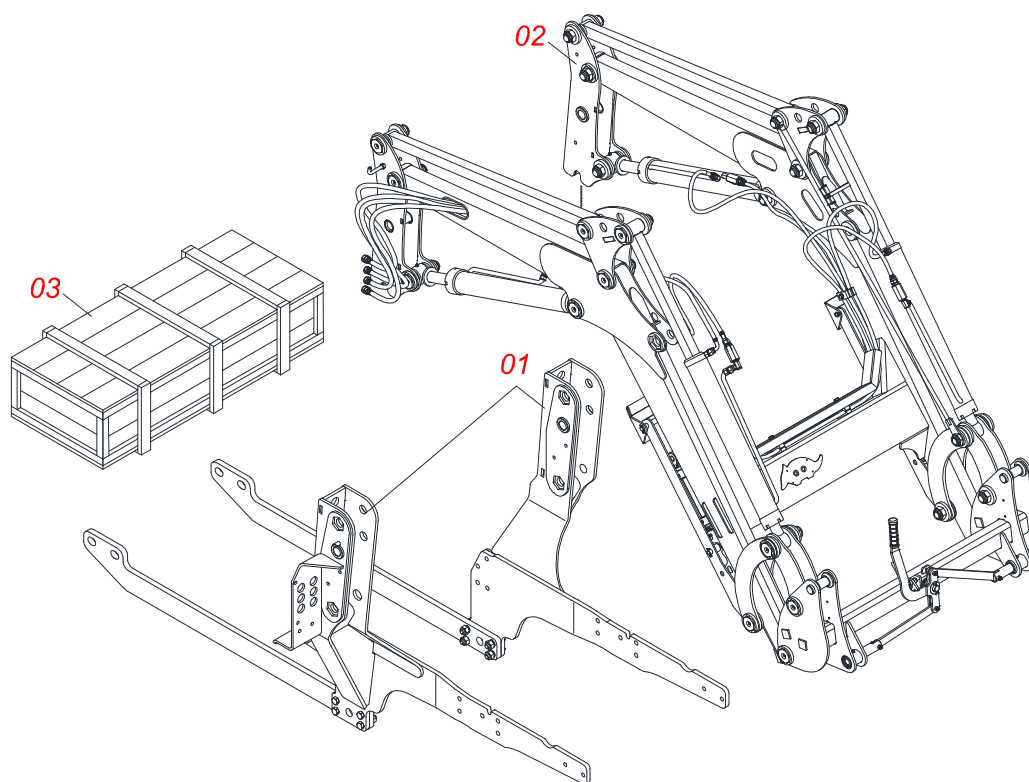
Marchesan S.A. reserves the right to improve and / or modify the technical features of its products, without obligation to do the same with those products already sold and without prior knowledge of the dealer or the consumer.



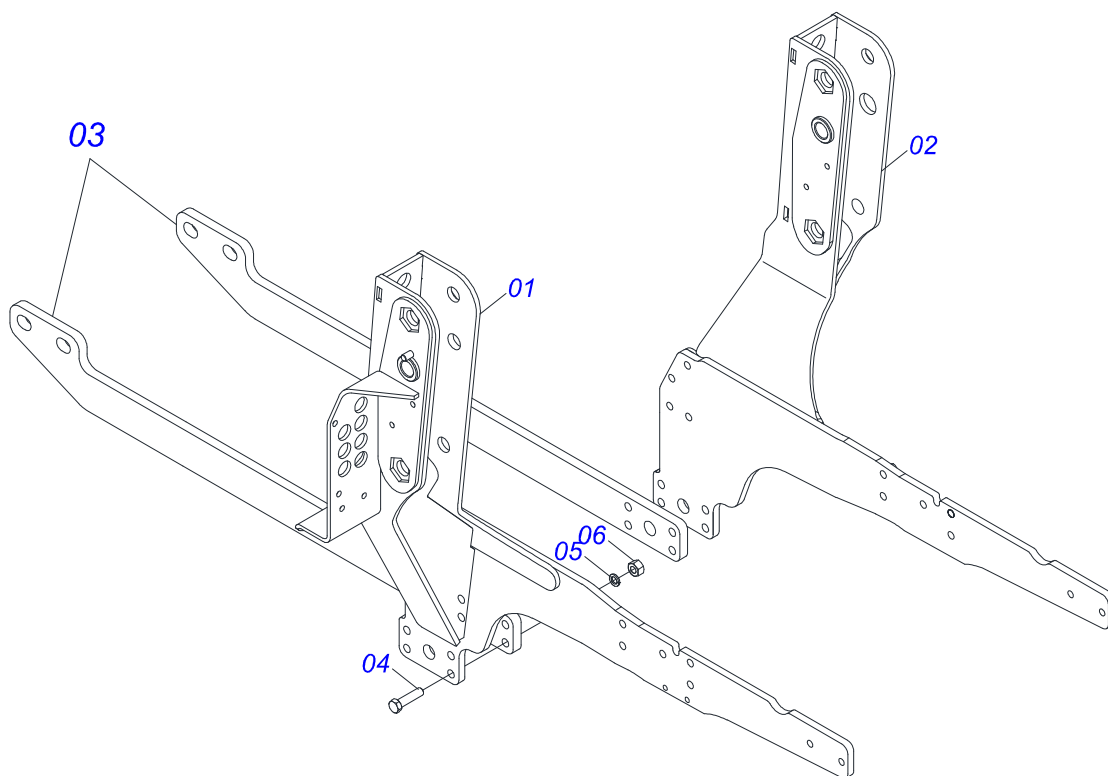
**MARCHESAN**

# INDEX

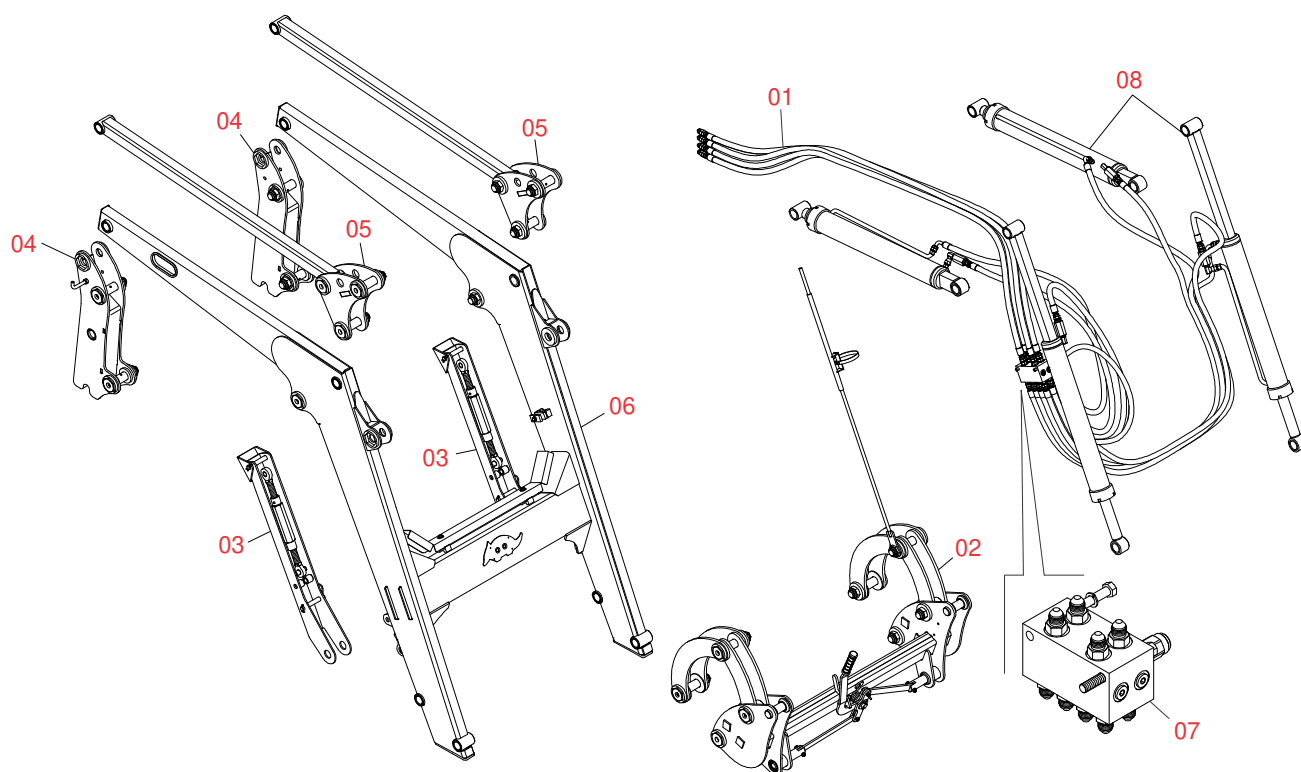
0106111704	PCA PLUS 1500 VTR A750/85/950 BT CD JS AR S/AC	1
0521046962	CHASSIS SET WITH REAR BAR - VTR A750/850/950	2
0521046979	MOBILE SUPPORT	3
0511056982	HOSE SET MOBILE SUPPORT	4
0909092474	ARTICULATOR ASSEMBLY	5
0909092475	RESTING WITH NUT MOUNT HOLDER	6
0909092733	TOWER SET - PCA PLUS 1500 VTR BT	7
0909092674	ARTICULATING BRACKET ASSEMBLY	8
0909093600	MOBILE SUPPORT PCA-T 1500 VTR COMPLETE	9
0909093601	BLOCK COMMAND HFB0150331	10
0909093602	HYDRAULIC CYLINDER ASSEMBLY - PCA PLUS 1500 VTR	11
0521050255	LEFT HYDRAULIC CYLINDER 44,45 X 76,20 X 845 X 555	12
0521050256	RIGHT HYDRAULIC CYLINDER 44,45 X 76,20 X 845 X 555	13
0511058221	HYDRAULIC CYLINDER LEFT	14
0511058222	HYDRAULIC CYLINDER RIGHT	15
0511057772	SECURITY VALVE ASSY	16
0521022970	COMPONENT BOX - PCA 600 VTR A750/85/950 BTCD JS AR SL	17
0521045393	SET SUPPORT JOY STICK	18
0521046974	CONTROL 3/8" MONOBLOC WITH JOYSTICK - VTR	19
0521046975	MANIFOLD 2PS06-4-2	20
0521050418	HOSE GAME - PCA 600 VTR A750/85/950 BTCD JS AR S1015	21
0511032508	PACKED PARTS - PCA 600 VTR A750/85/950 BT CD AR SL	22



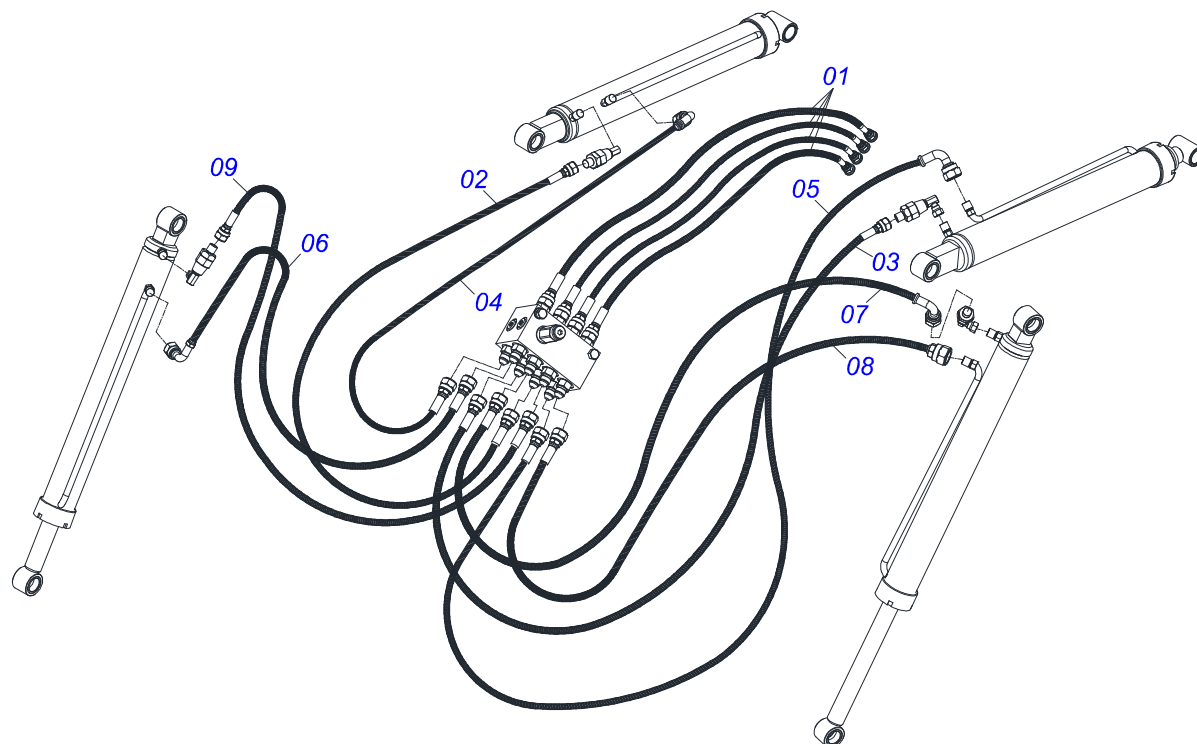
Item	Code	Description	See page	QT
01	0521046962	CHASSIS SET WITH REAR BAR - VTR A750/850/950	2	01
02	0521046979	MOBILE SUPPORT	3	01
03	0521022970	COMPONENT BOX - PCA 600 VTR A750/85/950 BTCD JS AR SL	17	01



Item	Code	Description	See page	QT
01	0521067466	RIGHT FRAME		01
02	0521067465	LEFT FRAME		01
03	0571019093	REAR COUPLING BAR		02
04	0501010500	3/4"X3"BOLT		08
05	0503010023	3/4" SPRING WASHER		08
06	0503010014	3/4" NUT		08

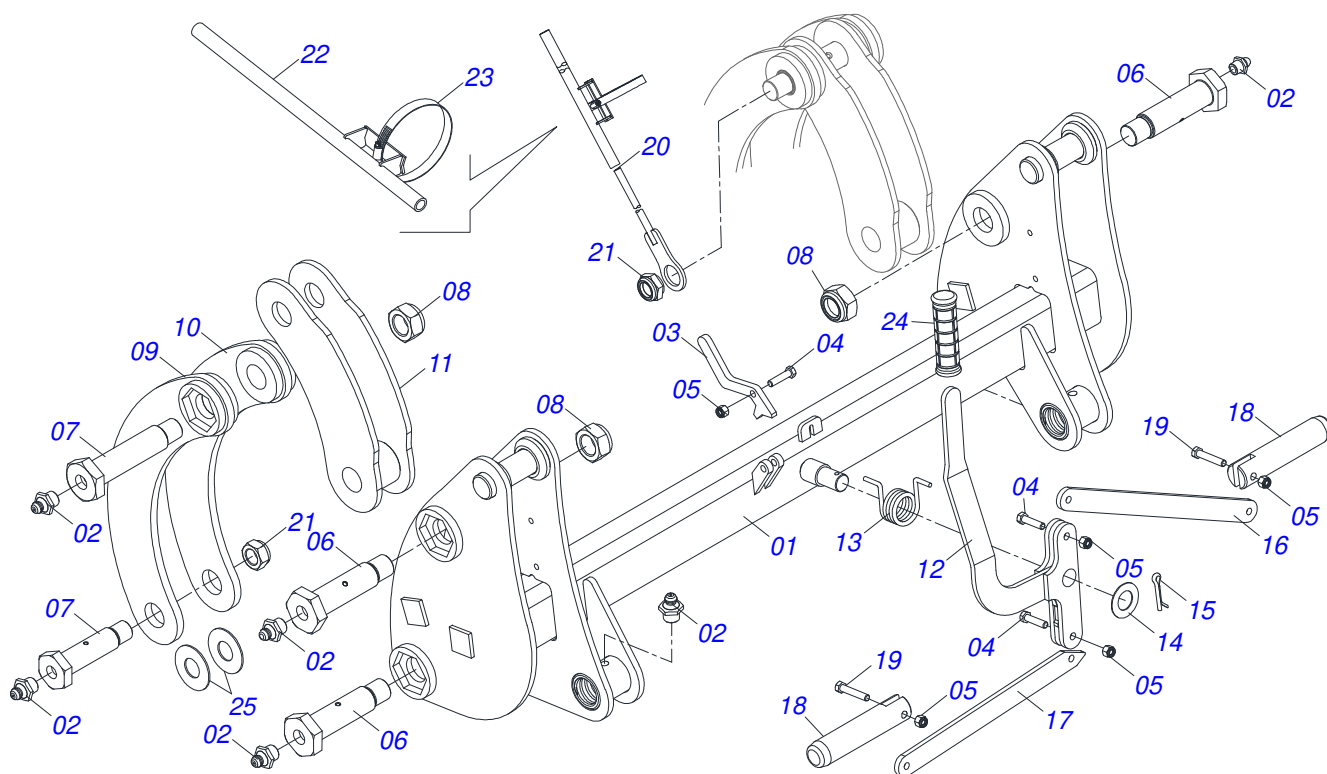


Item	Code	Description	See page	QT
01	0511056982	HOSE SET MOBILE SUPPORT	4	01
02	0909092474	ARTICULATOR ASSEMBLY	5	01
03	0909092475	RESTING WITH NUT MOUNT HOLDER	6	02
04	0909092733	TOWER SET - PCA PLUS 1500 VTR BT	7	02
05	0909092674	ARTICULATING BRACKET ASSEMBLY	8	02
06	0909093600	MOBILE SUPPORT PCA-T 1500 VTR COMPLETE	9	01
07	0909093601	BLOCK COMMAND HFB0150331	10	01
08	0909093602	HYDRAULIC CYLINDER ASSEMBLY - PCA PLUS 1500 VTR	11	01



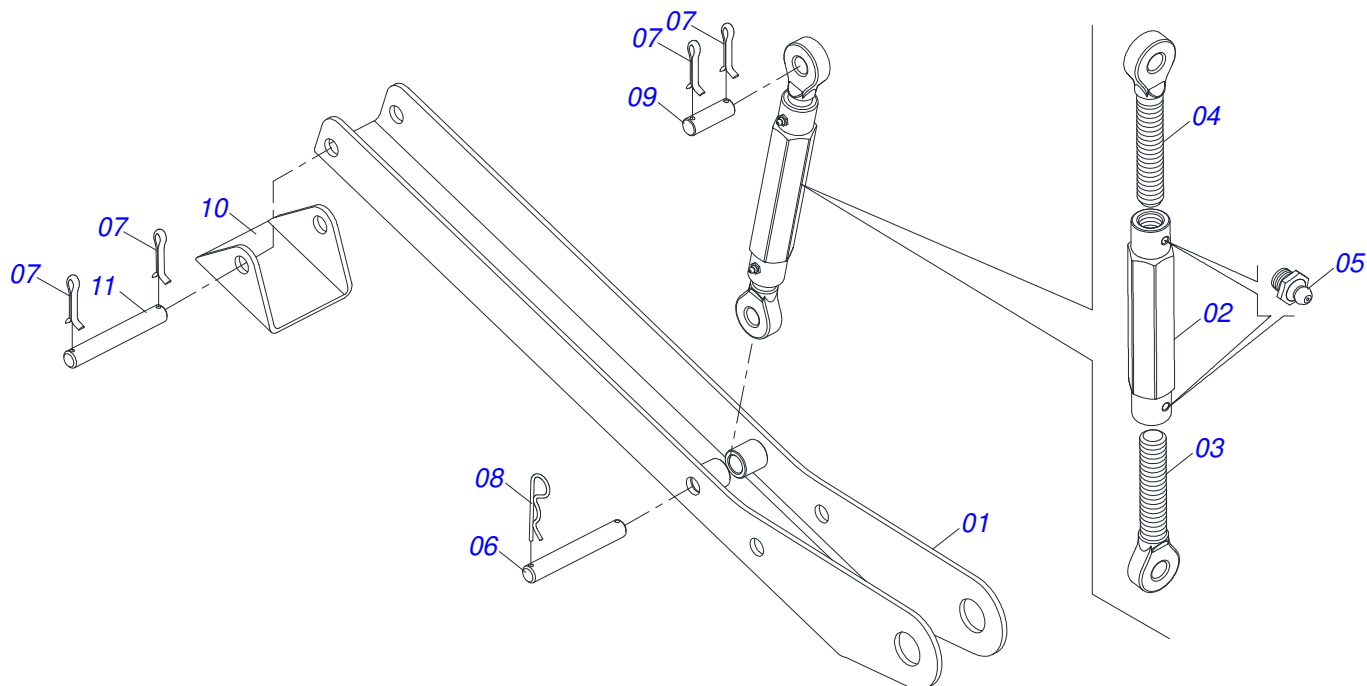
Item	Code	Description	See page	QT
01	0501080452	3/8" X 98" TR-TR HOSE		04
02	0501080439	3/8" X 43" TR-TR HOSE ASSY		01
03	0501080483	3/8" X 86,6" TR-TR HOSE		01
04	0501080348	TR-TC HOSE ASSY		01
05	0501080412	3/8" X 90.55" TR-TC HOSE		01
06	0501080375	3/8 X 23.6" TR-TC HOSE ASSY		01
07	0501080419	3/8 X 82.6" TR-TC HOSE ASSY		01
08	0501080320	3/8" X 82,6" TR-TR HOSE		01
09	0501080027	3/8" X 39,3" TR-TR HOSE ASSY		01

ARTICULATOR ASSEMBLY

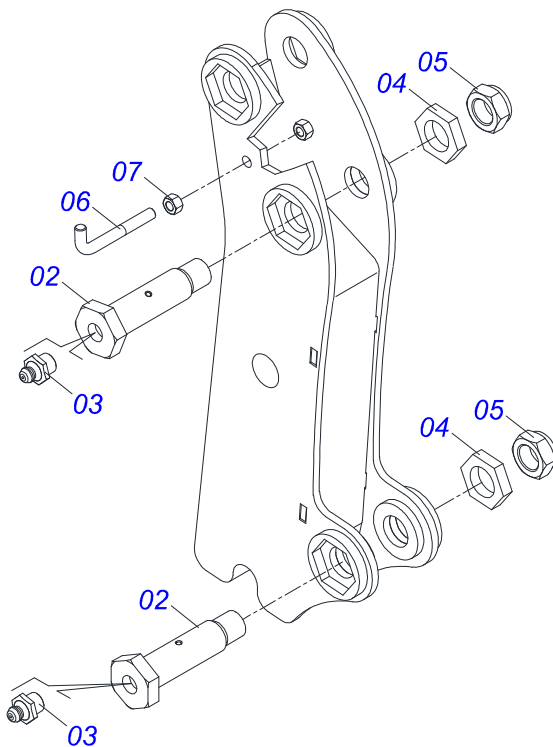


Item	Code	Description	See page	QT
01	0521065697	ARTICULATOR	01	01
02	0503010002	1800 GREASE FITTING	10	10
03	0571018934	PENDULUM LOCKS	01	01
04	0503010849	3/8" X 1-1/2" BOLT	03	03
05	0503013357	3/8" SELF-ADJUSTING NUT	05	05
06	0571018264	1.1/4" UNF X 149 ZN BOLT	04	04
07	0571018245	1.1/4" UNF X 139 BOLT	04	04
08	0503010044	1-1/4" SELF LOCKING NUT	07	07
09	0521067473	EXTERNAL ARM OF THE ARTICULATOR	02	02
10	0521067474	INTERNAL ARM OF THE ARTICULATOR	02	02
11	0521067478	LOWER ARTICULATOR	02	02
12	0521065888	LEVER	01	01
13	0503034192	TORSION SPRING	01	01
14	0561811883	28,5 X 51,5 X 1,50 SA FLAT WASHER	01	01
15	0503010523	1/4" X 2" COTTERPIN	01	01
16	0571018935	SPRING SUPPORT ARM	01	01
17	0571018125	RIGHT ARM OF THE UNLOCK	01	01
18	0571018129	PIN LOCK ACCESSORY	02	02
19	0503011236	3/8" X 2" BOLT	02	02
20	0521068692	LEVEL ROD	01	01
21	0571018205	1.1/4"XUNF NUT WITH RECESS	01	01
22	0521067968	ROD GUIDE	01	01
23	0503011372	102 TO 121 CLAMP	01	01
24	0503037382	Ø25 X 120 PVC HANDLE	01	01
25	0551014871	FLAT WASHER	04	04



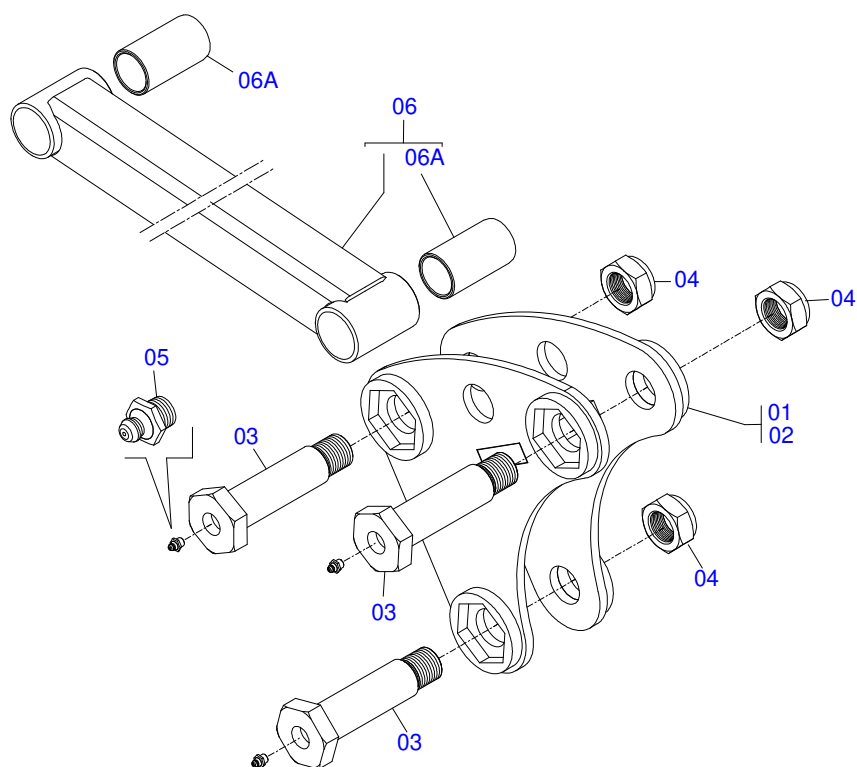


Item	Code	Description	See page	QT
01	0521065756	PLOUGH SUPPORT BODY		02
02	0502012530	REGULATOR NUT BODY R1		02
03	0502012562	LEFT SPINDLE R1 X 160		02
04	0502012529	RIGHT SPINDLE R1 X 160		02
05	0503010002	1800 GREASE FITTING		04
06	0511013598	3/4" X 4.7" COUPLING SHAFT		02
07	0503010071	3/16" X 1" COTTERPIN		06
08	0503030012	HAIR PIN		02
09	0561015578	3/4 X 56 PCA VTR A750 COUPLING SHAFT		02
10	0571018252	REST BASE		02
11	0521012777	COUPLING SHAFT		02

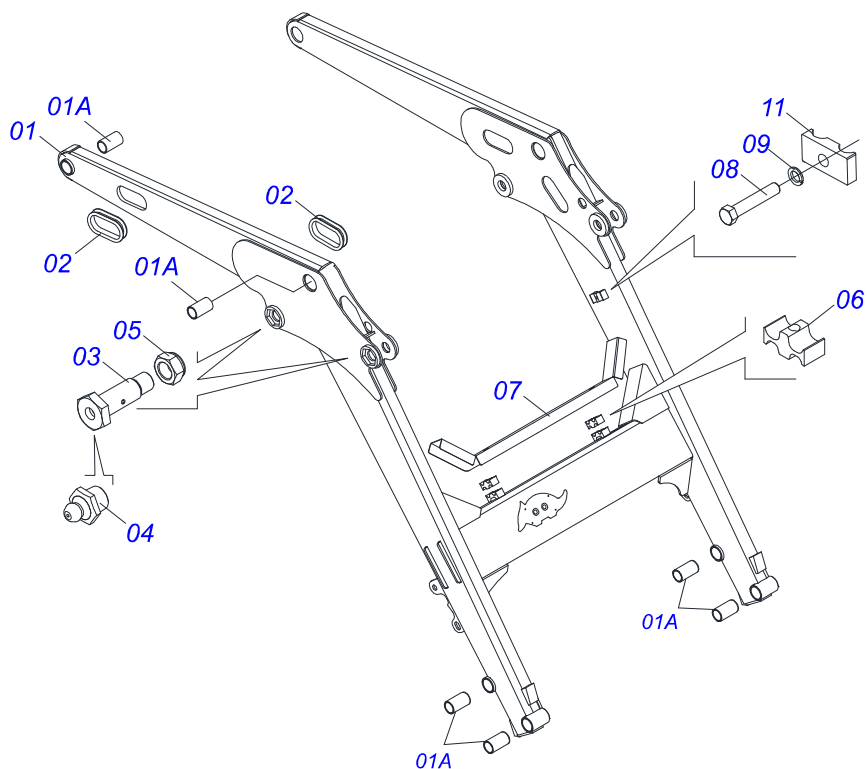


Item	Code	Description	See page	QT
01	0521067487	MOBILE TOWER		02
02	0571018264	1.1/4" UNF X 149 ZN BOLT		04
03	0503010002	1800 GREASE FITTING		04
04	0581010243	WASHER HEX		04
05	0503010044	1-1/4" SELF LOCKING NUT		04
06	0581010285	CONTROL LOCKING HOOK		01
07	0503810060	NUT 1/2 NC S SA		02

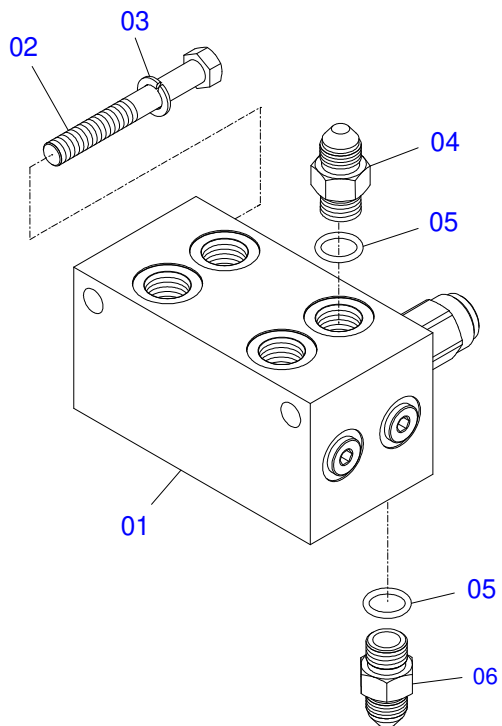
ARTICULATING BRACKET ASSEMBLY



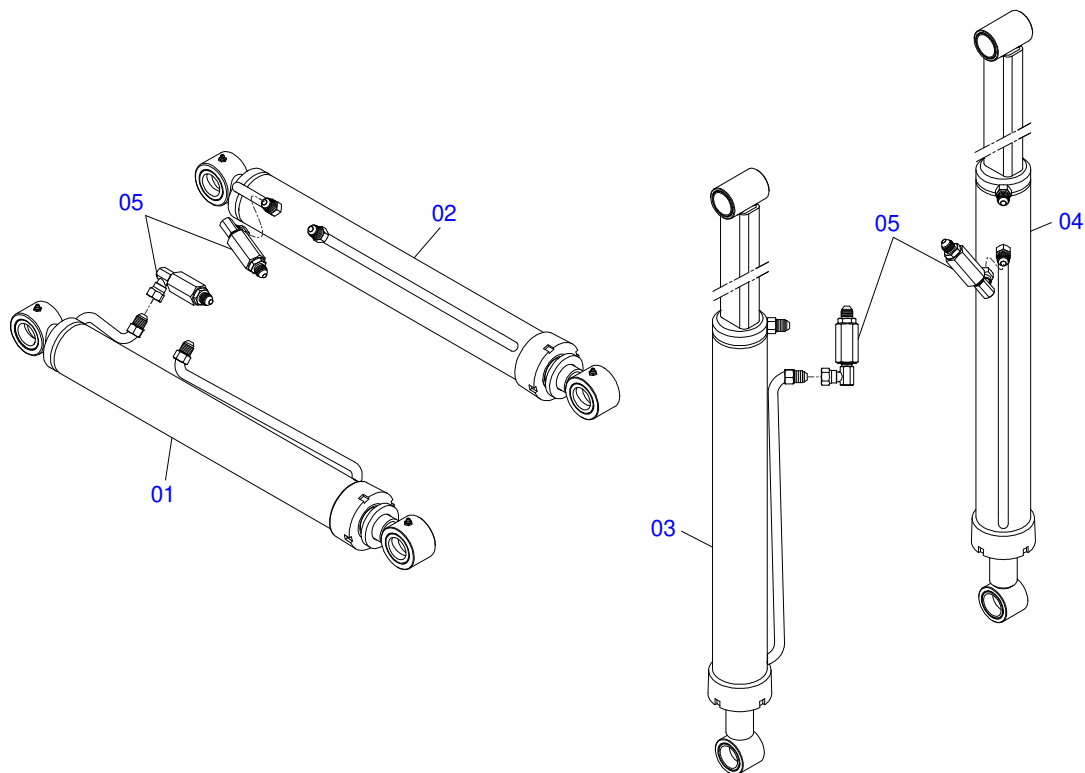
Item	Code	Description	See page	QT
01	0521065745	RIGHT JOINT		01
02	0521065751	LEFT JOINT		01
03	0571018264	1.1/4" UNF X 149 ZN BOLT		06
04	0503010044	1-1/4" SELF LOCKING NUT		06
05	0503010002	1800 GREASE FITTING		06
06	0521067538	COPIER ARM		02
06A	0571018080	BUSHING Ø37,70 X Ø45,15 X 80 PCA-T 1500		04



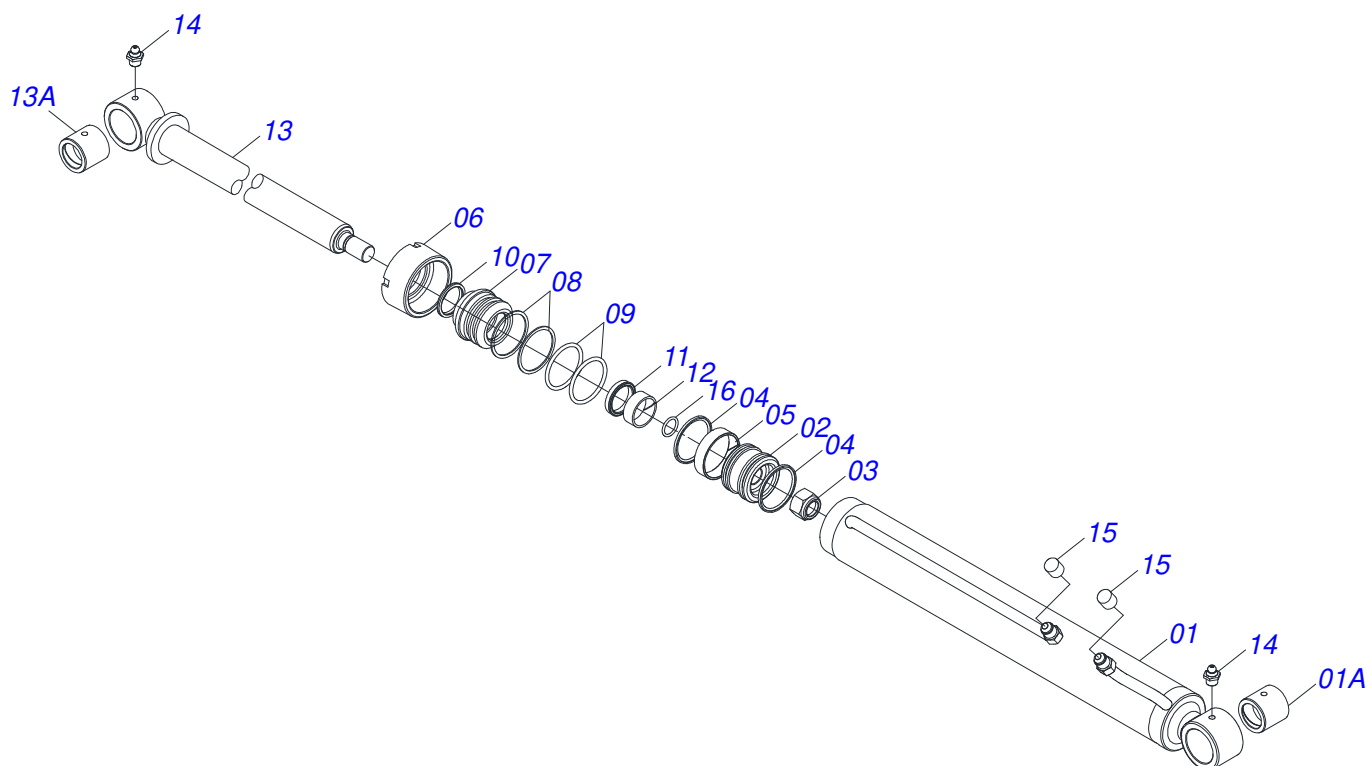
Item	Code	Description	See page	QT
01	0521065742	MOBILE SUPPORT		01
01A	0571018080	BUSHING Ø37,70 X Ø45,15 X 80 PCA-T 1500		08
02	0503034364	HOSE PROTECTOR		02
03	0581013575	1.1/4 UNF X 85 BOLT		04
04	0503010002	1800 GREASE FITTING		04
05	0503010044	1-1/4" SELF LOCKING NUT		04
06	1902012702	UPPER CLAMP BODY		02
07	0521065758	PIPELINE PROTECTION		01
08	0503012555	SCREW 7/16 UNC X 2 CS RT G.7 ZN		02
09	0503010180	7/16" SPRING WASHER		02
10	1902010477	UPPER CLAMP BODY		03



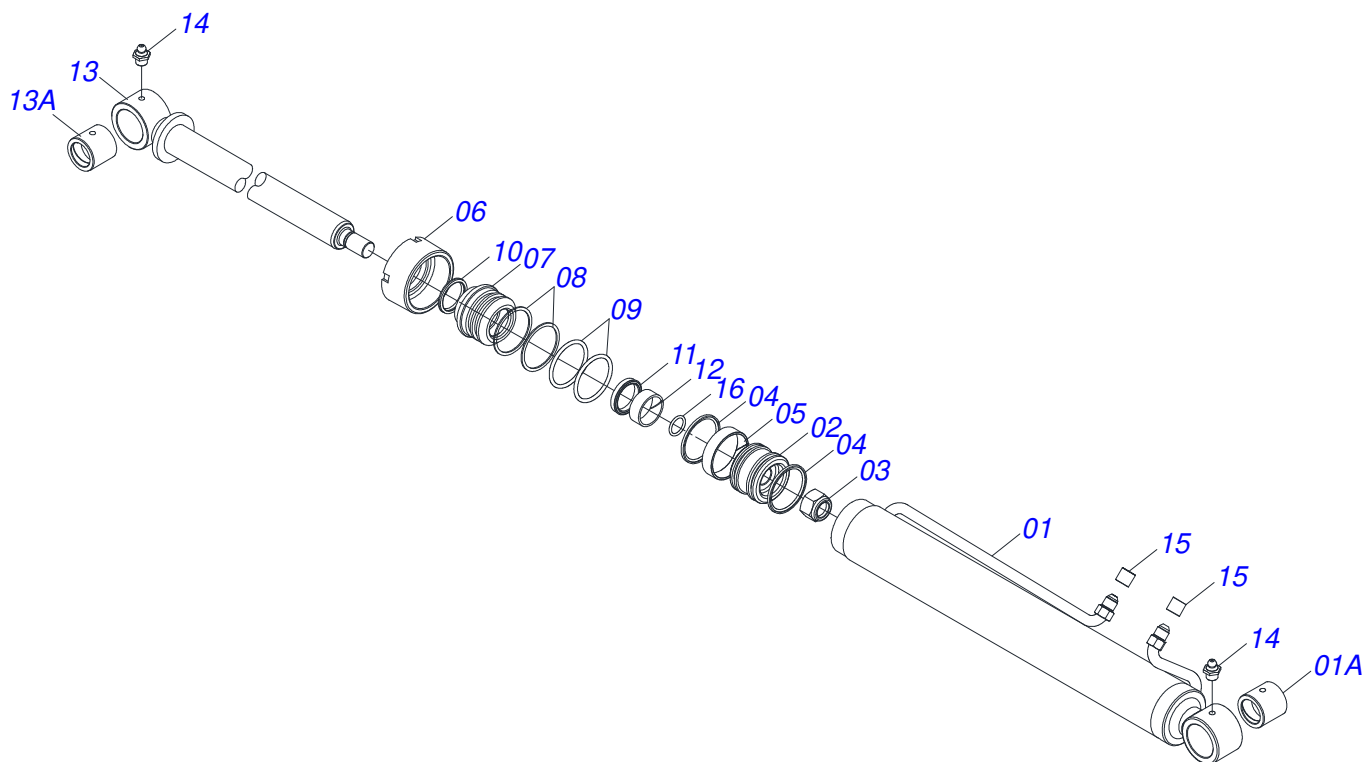
Item	Code	Description	See page	QT
01	0503062416	BLOCK COMMAND		01
02	0503010851	7/16" X 3.1/2" BOLT		02
03	0503010180	7/16" SPRING WASHER		02
04	0501010617	3/4" NIPPLE		04
05	0503010190	2-114 N 3006-9B O'RING		12
06	0501010617	3/4" NIPPLE		08



Item	Code	Description	See page	QT
01	0521045321	HYDRAULIC CYLINDER LEFT		01
02	0521045322	HYDRAULIC CYLINDER RIGHT		01
03	0511058221	HYDRAULIC CYLINDER LEFT	14	01
04	0511058222	HYDRAULIC CYLINDER RIGHT	15	01
05	0511057772	SECURITY VALVE ASSY	16	04

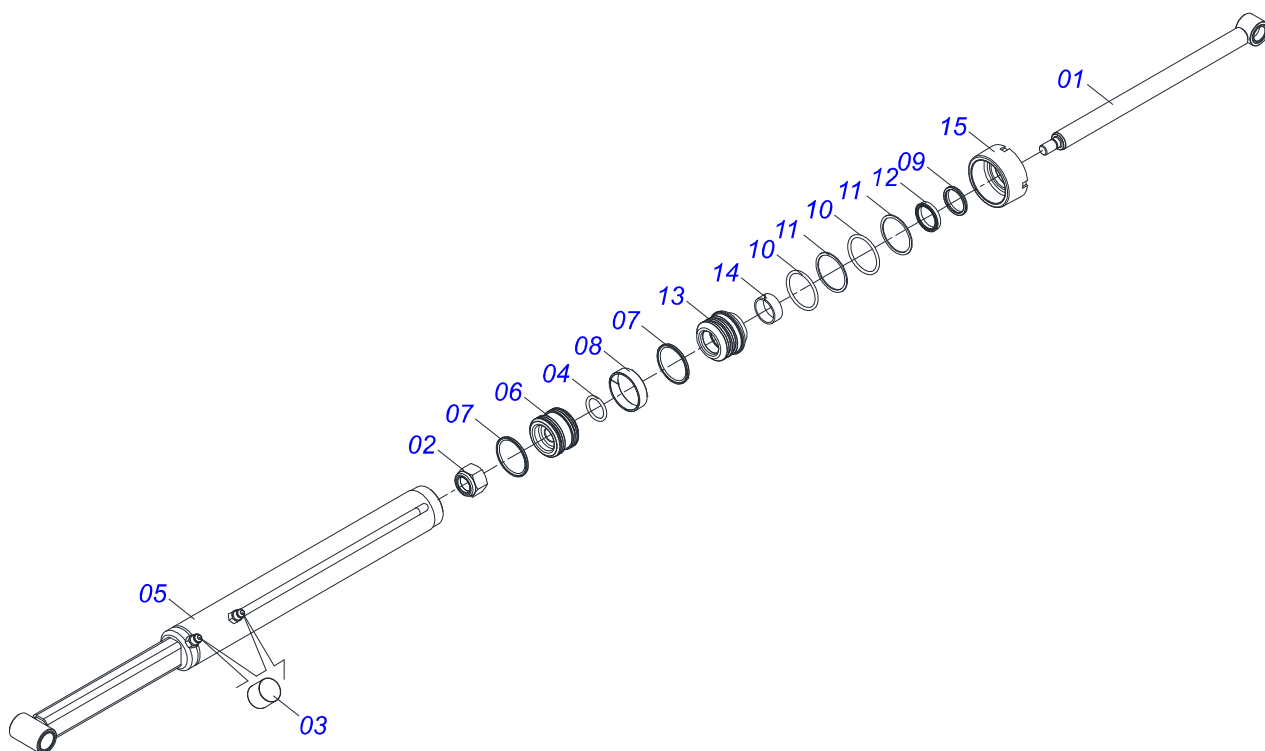


Item	Code	Description	See page	QT
01	0521067486	76,20 X 740,50 LEFT CYLINDER CASE		01
01A	0521010514	38,1 X 52,9 X 50 SLEEVE INTER		01
02	0581010304	PISTON		01
03	0503010063	1" SELF-ALIGNING NUT		01
04	0503018138	RING BS		02
05	0503018140	RING GUIDE		01
06	0502011899	MOBILE COVER		01
07	0581010301	RING SUPPORT		01
08	0503011059	8-334 BACK-UP RING		02
09	0503010343	2-334 N 3006-9B O'RING		02
10	0503010761	D-1750 SCRAPER RING		01
11	0503017937	GASKET		01
12	0503017938	RING GUIDE		01
13	0521067543	44,45 X 774 AIR TURNBUCKLE		01
13A	0521010514	38,1 X 52,9 X 50 SLEEVE INTER		01
14	0503010002	1800 GREASE FITTING		02
15	0503030385	CYLINDER PLUG N-002		02
16	0503010042	2-214 N 3006-9B O'RING		01

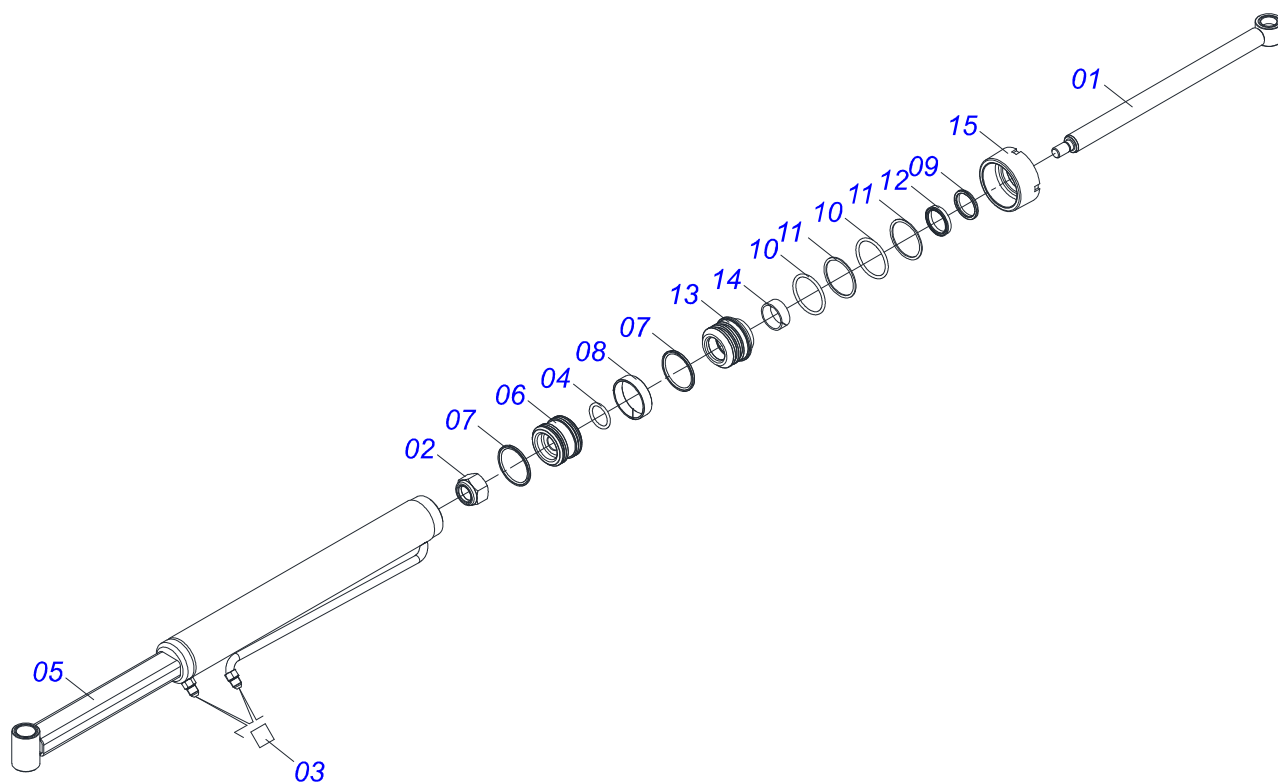


Item	Code	Description	See page	QT
01	0521067485	76,20 X 740,50 RIGHT CYLINDER CASE		01
01A	0521010514	38,1 X 52,9 X 50 SLEEVE INTER		01
02	0581010304	PISTON		01
03	0503010063	1" SELF-ALIGNING NUT		01
04	0503018138	RING BS		02
05	0503018140	RING GUIDE		01
06	0502011899	MOBILE COVER		01
07	0581010301	RING SUPPORT		01
08	0503011059	8-334 BACK-UP RING		02
09	0503010343	2-334 N 3006-9B O'RING		02
10	0503010761	D-1750 SCRAPER RING		01
11	0503017937	GASKET		01
12	0503017938	RING GUIDE		01
13	0521067543	44,45 X 774 AIR TURNBUCKLE		01
13A	0521010514	38,1 X 52,9 X 50 SLEEVE INTER		01
14	0503010002	1800 GREASE FITTING		02
15	0503030385	CYLINDER PLUG N-002		02
16	0503010042	2-214 N 3006-9B O'RING		01

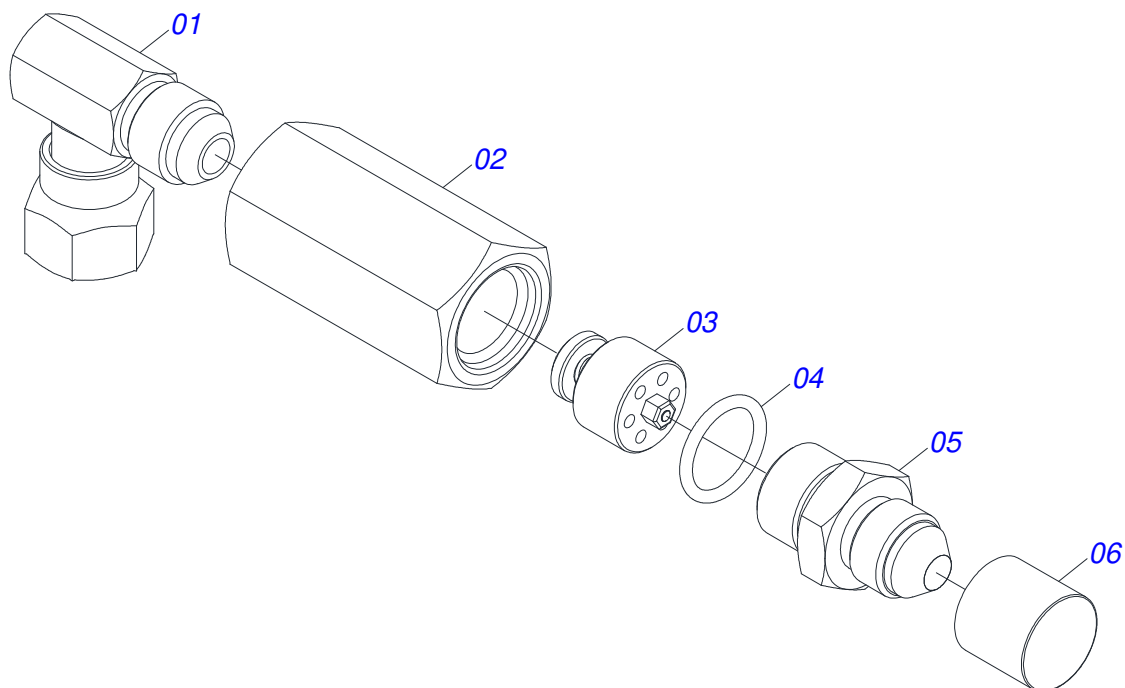




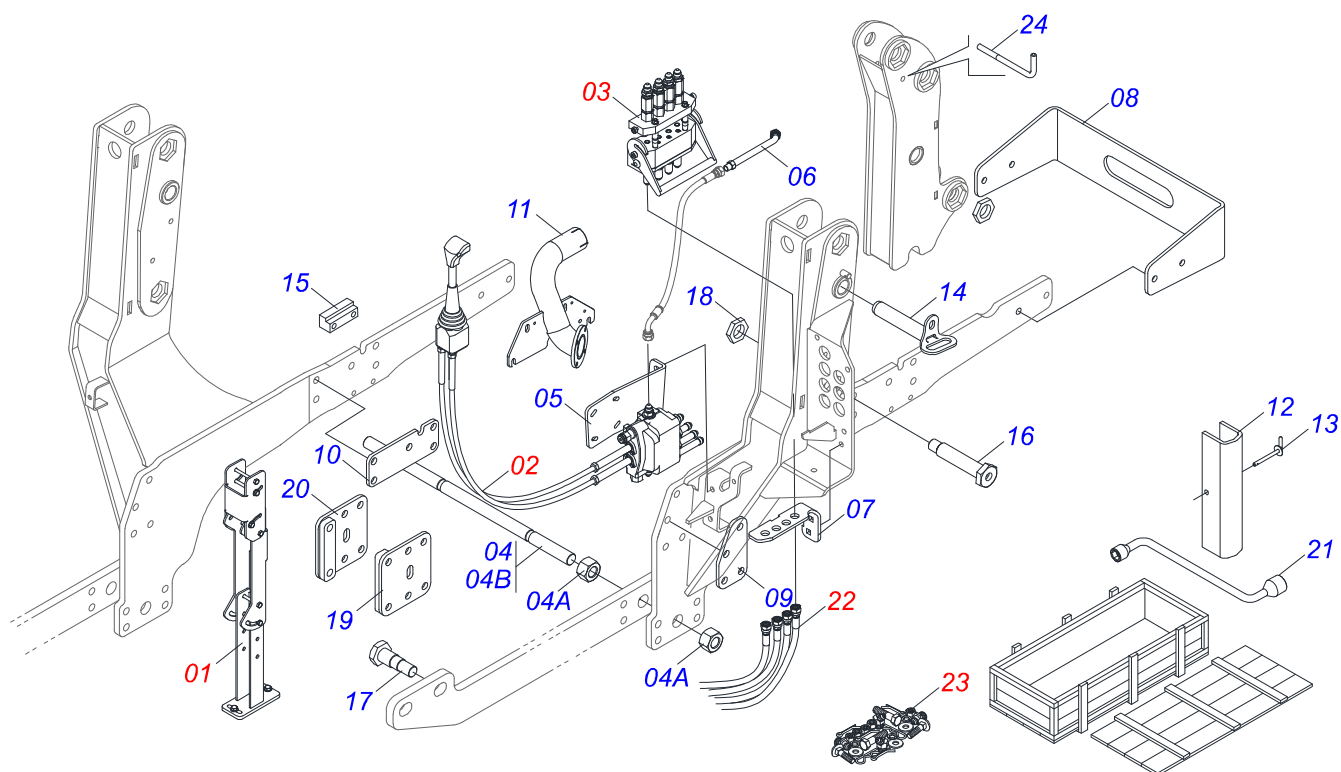
Item	Code	Description	See page	QT
01	0521065738	44,45 X 836 WELDED ROD PCA-T 1500 PLUS		01
02	0503010063	1" SELF-ALIGNING NUT		01
03	0503030385	CYLINDER PLUG N-002		02
04	0503010042	2-214 N 3006-9B O'RING		01
05	0521065737	LEFT CYLINDER CASE WITH EXTENDER		01
06	0581010304	PISTON		01
07	0503018138	RING BS		02
08	0503018140	RING GUIDE		01
09	0503010761	D-1750 SCRAPER RING		01
10	0503010343	2-334 N 3006-9B O'RING		02
11	0503011059	8-334 BACK-UP RING		02
12	0503017937	GASKET		01
13	0581010301	RING SUPPORT		01
14	0503017938	RING GUIDE		01
15	0502011899	MOBILE COVER		01



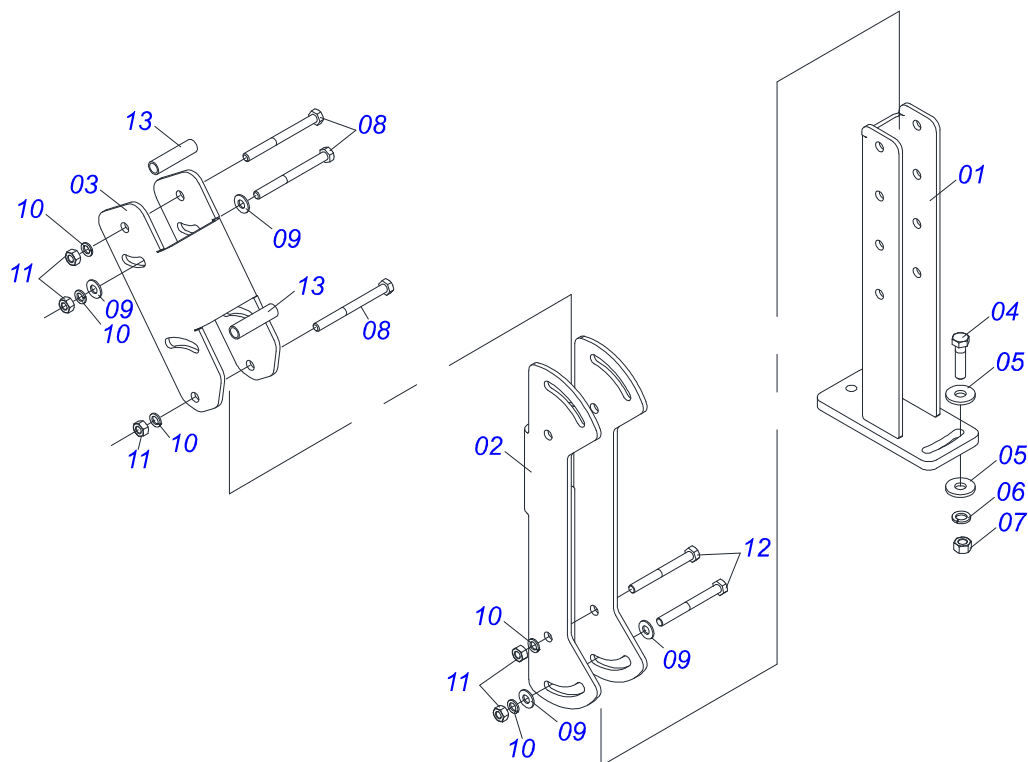
Item	Code	Description	See page	QT
01	0521065738	44,45 X 836 WELDED ROD PCA-T 1500 PLUS		01
02	0503010063	1" SELF-ALIGNING NUT		01
03	0503030385	CYLINDER PLUG N-002		02
04	0503010042	2-214 N 3006-9B O'RING		01
05	0521065704	RIGHT CYLINDER CASE WITH EXTENDER		01
06	0581010304	PISTON		01
07	0503018138	RING BS		02
08	0503018140	RING GUIDE		01
09	0503010761	D-1750 SCRAPER RING		01
10	0503010343	2-334 N 3006-9B O'RING		02
11	0503011059	8-334 BACK-UP RING		02
12	0503017937	GASKET		01
13	0581010301	RING SUPPORT		01
14	0503017938	RING GUIDE		01
15	0502011899	MOBILE COVER		01



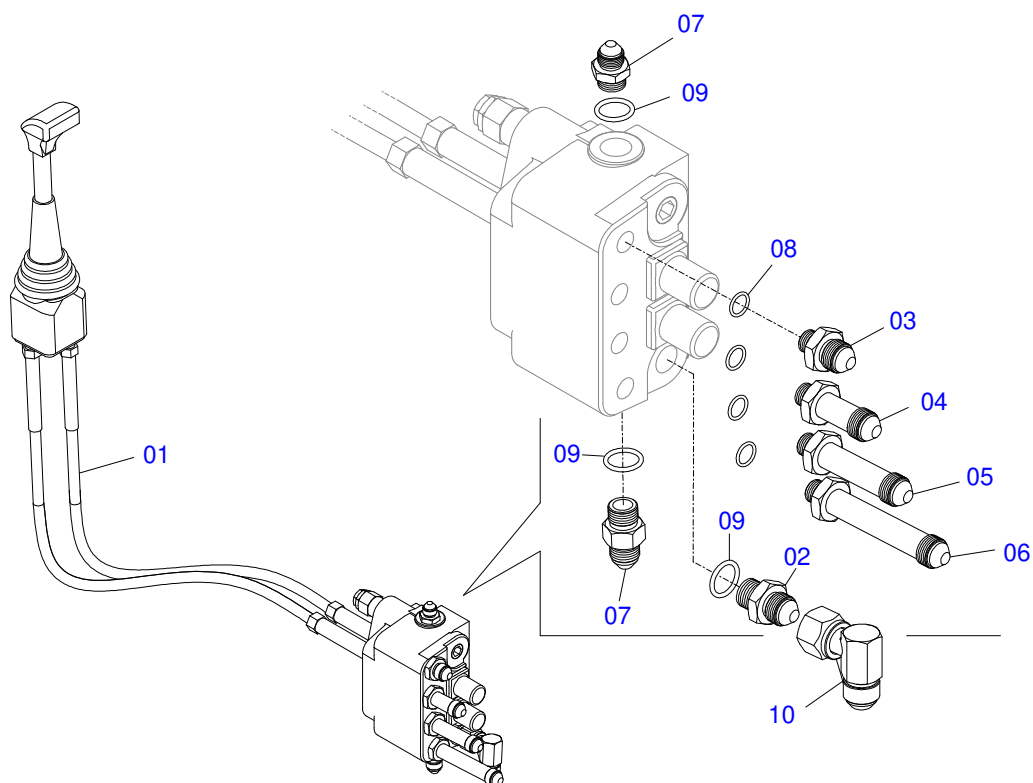
Item	Code	Description	See page	QT
01	0503018034	MALE KNEE JIC		01
02	0581014055	ADAPTER		01
03	0503016854	VALVE ASSY		01
04	0503010045	O'RING		01
05	0581014054	BSP 1/2" NIPPLE		01
06	0503030385	CYLINDER PLUG N-002		01



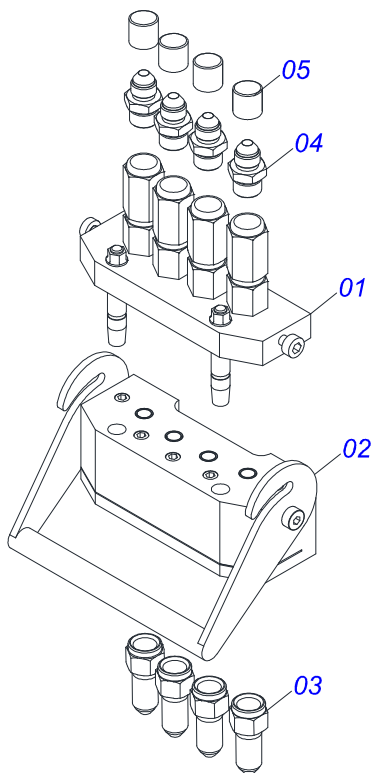
Item	Code	Description	See page	QT
01	0521045393	SET SUPPORT JOY STICK	18	01
02	0521046974	CONTROL 3/8" MONOBLOC WITH JOYSTICK - VTR	19	01
03	0521046975	MANIFOLD 2PS06-4-2	20	01
04	0501044434	1" NC X 700 ROD W/NUTS		01
04A	0501010087	1.1/4" NUT		04
04B	0501014753	1" NC X 700 ROD		01
05	0521067467	COMMAND SUPPORT		01
06	0521067471	PRESSURE ADAPTER		01
07	0521067472	MULTI CONNECTOR COUPLING BRACKET		01
08	0571017231	FRONT PROTECTOR		01
09	0581013406	CENTRAL OUTER SHIM		02
10	0571017227	CHASSIS SHIM - PCA VTR A750/850/950		02
11	0521067469	EXHAUST ADAPTER		01
12	0531017238	LOCK TRANSPORT		02
13	0501068994	0.3" X 3.1" LOCK PIN		02
14	0521067468	MOBILE HOLDER COUPLING HUB		02
15	0581013402	BEATER VTR A750/850/950		01
16	0581013410	1.1/4" UNF X 155 BOLT		02
17	0571019101	1.1/4 UNF X 110 BOLT		02
18	0581010243	WASHER HEX		02
19	0521067351	RIGHT FRAME LOCK		01
20	0521067359	LEFT FRAME LOCK		01
21	0501068213	5/8" WRENCH DOUBLE		01
22	0521050418	HOSE GAME - PCA 600 VTR A750/85/950 BTCD JS AR S1015	21	01
23	0511032508	PACKED PARTS - PCA 600 VTR A750/85/950 BT CD AR SL	22	01
24	0581010285	CONTROL LOCKING HOOK		01



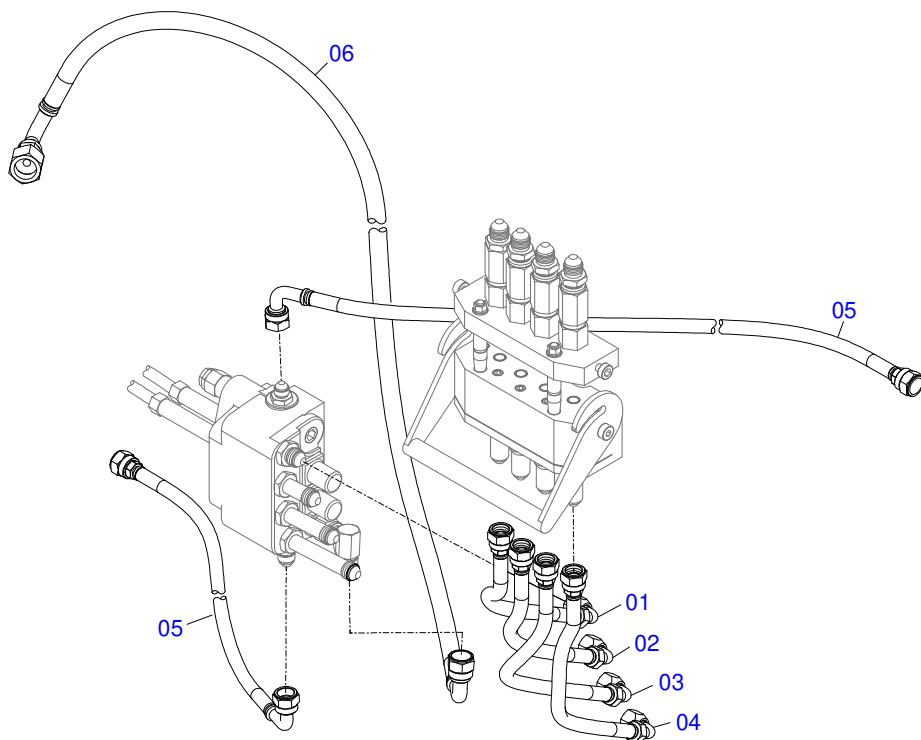
Item	Code	Description	See page	QT
01	0521065789	LOWER JOYSTICK SUPPORT		01
02	0571018376	CENTRAL BODY SUPPLEMENT OF JOYSTICK		01
03	0571018375	SUPERIOR BODY SUPPLEMENT OF JOYSTICK		01
04	0503010849	3/8" X 1-1/2" BOLT		02
05	0501010984	FLAT WASHER		02
06	0503010025	3/8" SPRING WASHER		02
07	0503010026	3/8" NUT		02
08	0503010848	5/16" X 3.1/2" BOLT		04
09	0501010694	8.5 X 18 X 1.5 FLAT WASHER		06
10	0503010179	5/16" ZN SPRING WASHER		06
11	0503010337	5/16" NUT		06
12	0503011053	5/16" X 3" C S 6.5 ZN BOLT		02
13	0541015551	0.39" X 0.512" X 1.9" SLEEVE		02



Item	Code	Description	See page	QT
01	0503062376	SDM102/2 MONOBLOC COMMAND WITH CABLE (WALVOIL 405910)		01
02	0501011460	7/8 NF REDUCTION NIPPLE		01
03	0501012109	3/4" X 9/16" NIPPLE		01
04	0581013581	NIPLE 3/4UNF X 9/16UNF - 63MM (SEXT 1) VTR A750		01
05	0581013580	3/4UNF X 9/16UNF - 88MM (SEXT 1) NIPLE VTR A750		01
06	0581013578	3/4 UNF X 9/16 UNF NIPLE 113MM (SEXT 1) VTR A750		01
07	0501010617	3/4" NIPPLE		02
08	0503011030	2-014 N 3006-9B O'RING		04
09	0503010045	O'RING		03
10	0503018033	37 X R.7/8 UNF 90° JIC MALE CONNECTOR WITH ROTATING NUT		01

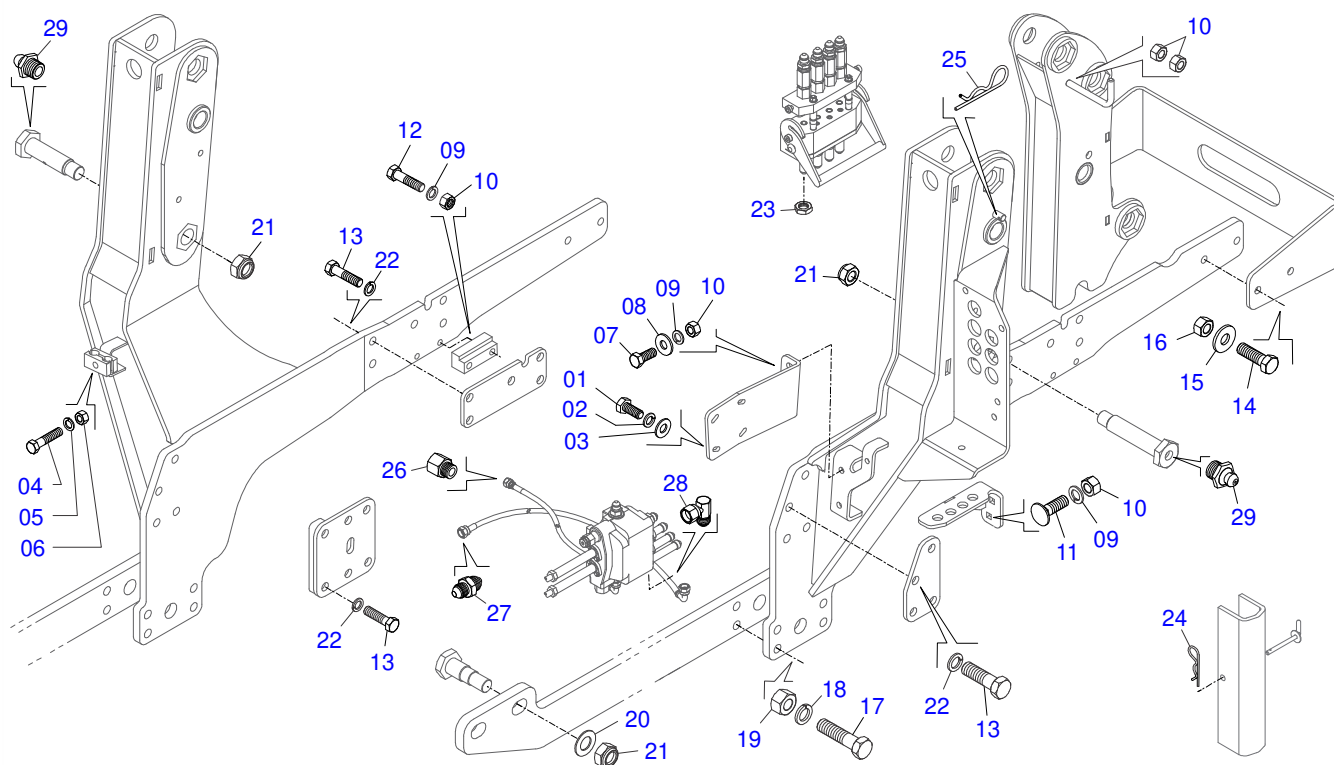


Item	Code	Description	See page	QT
01	0503062408	QUICK COUPLING STEEL CARBON MULTIFASTER 3PW06-4-12G M C		01
02	0503062409	QUICK COUPLING STEEL CARBON MULTIFASTER 2PW06-4-1/12SFC		01
03	0581013446	3/4UNF X 3/4UNF X 68 ADAPTER		04
04	0571012012	1/2" NIPPLE		04
05	0503030385	CYLINDER PLUG N-002		04



Item	Code	Description	See page	QT
01	0501080375	3/8 X 23.6" TR-TC HOSE ASSY		01
02	0501080599	3/8 X 650 TC-TR HOSE		01
03	0501080413	3/8" X 27" TR-TC HOSE		01
04	0501080328	3/8" X 29" TR-TC HOSE		01
05	0501080302	TR-TC HOSE ASSY		02
06	0501080283	HOSE 1/2 X 2600 TC-TC		01





Item	Code	Description	See page	QT
01	0503016506	5/16 UNC X 3/4 C S G.5 ZN BOLT		04
02	0503010179	5/16" ZN SPRING WASHER		04
03	0501010694	8.5 X 18 X 1.5 FLAT WASHER		04
04	0503011173	7/16" X 2" BOLT		01
05	0503010180	7/16" SPRING WASHER		01
06	0503010244	7/16" NUT		01
07	0503010395	1/2" X 1-1/4" BOLT		02
08	0511017302	FLAT WASHER		02
09	0503010019	1/2" SPRING WASHER		10
10	0503010060	1/2" NUT		10
11	0503014378	1/2" X 1-1/2" BOLT		04
12	0503010479	BOLT		04
13	0503011730	M16 X 2 X 60 BOLT		20
14	0501010100	SCREW 5/8 UNC X 2 CS G.5 ZN		04
15	0501012140	FLAT WASHER		04
16	0503010013	5/8" NUT		10
17	0501010500	3/4"X3"BOLT		08
18	0503010023	3/4" SPRING WASHER		08
19	0503010014	3/4" NUT		08
20	0521011132	FLAT WASHER		02
21	0503010044	1-1/4" SELF LOCKING NUT		04
22	0503010027	5/8" SPRING WASHER		20
23	0503033787	NUT 3/4 UNF		04
24	0503030168	HAIR PIN		02
25	0503030012	HAIR PIN		02
26	0571019584	7/8 UNF NIPL		01
27	0571018714	3/4"X3/4"UNF NIPPLE UNION (SEXT 7/8"X50)		01
28	0503018033	37 X R.7/8 UNF 90° JIC MALE CONNECTOR WITH ROTATING NUT		01
29	0503010002	1800 GREASE FITTING		02





**MARCHESAN**

**Technical Publications | Elaboration and Revision**  
JOÃO VIRGINIO ROCHA

[www.marchesan.com.br](http://www.marchesan.com.br)

