

AUXILIARY PRODUCTS

LTA 3000 VEH

Code: 0501092043
Series: S-0917
Revision: 00
Date Revision: NOVEMBRO/2017

PARTS CATALOGUE



MARCHESAN



PRODUCTS

Code	Description	
0106060047	LTA 3000 VEH	S-0917

ATTENTION: IMPORTANT

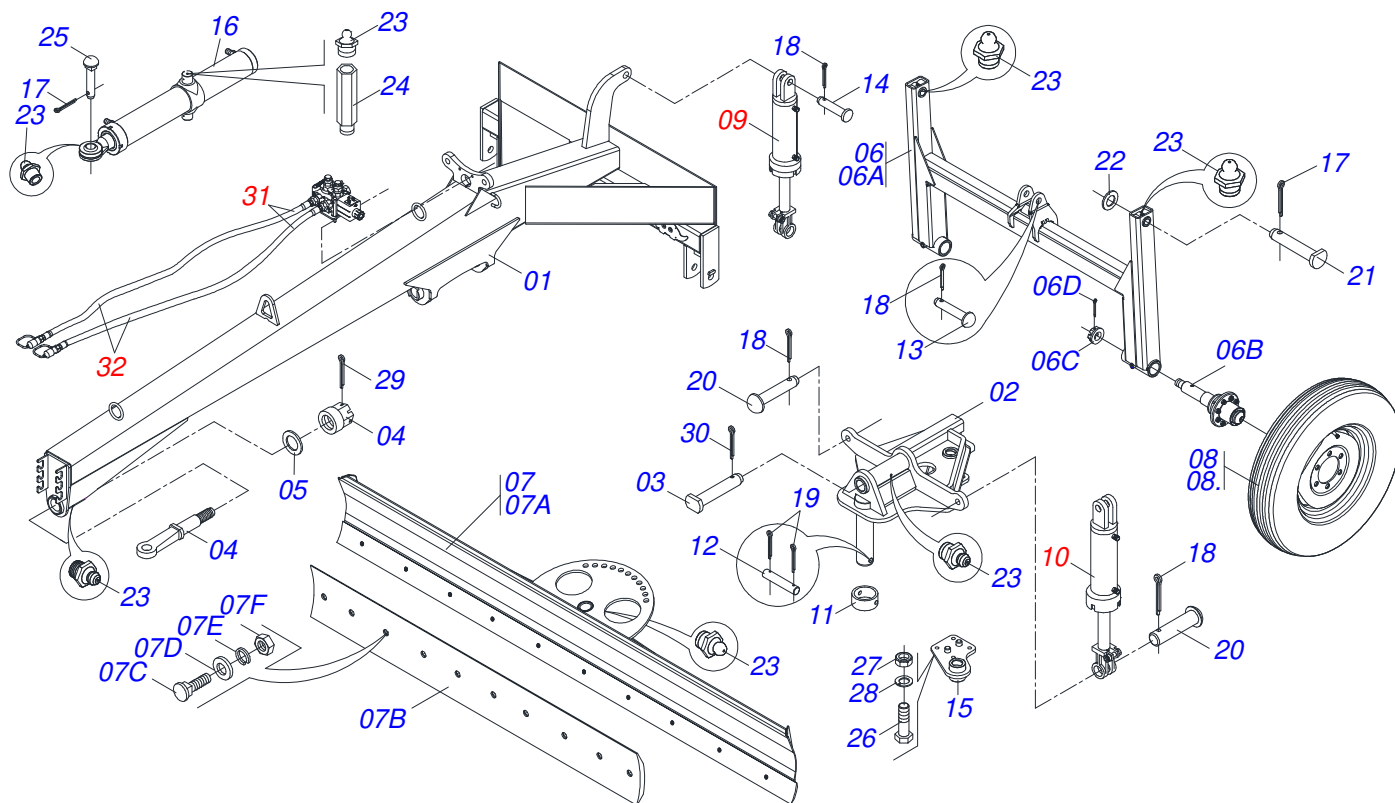
Marchesan S.A. reserves the right to improve and/or modify the technical features of its products, without obligation to do the same with those products already sold and without prior knowledge of the dealer or the customer. The photos are only illustrative.



MARCHESAN

INDEX

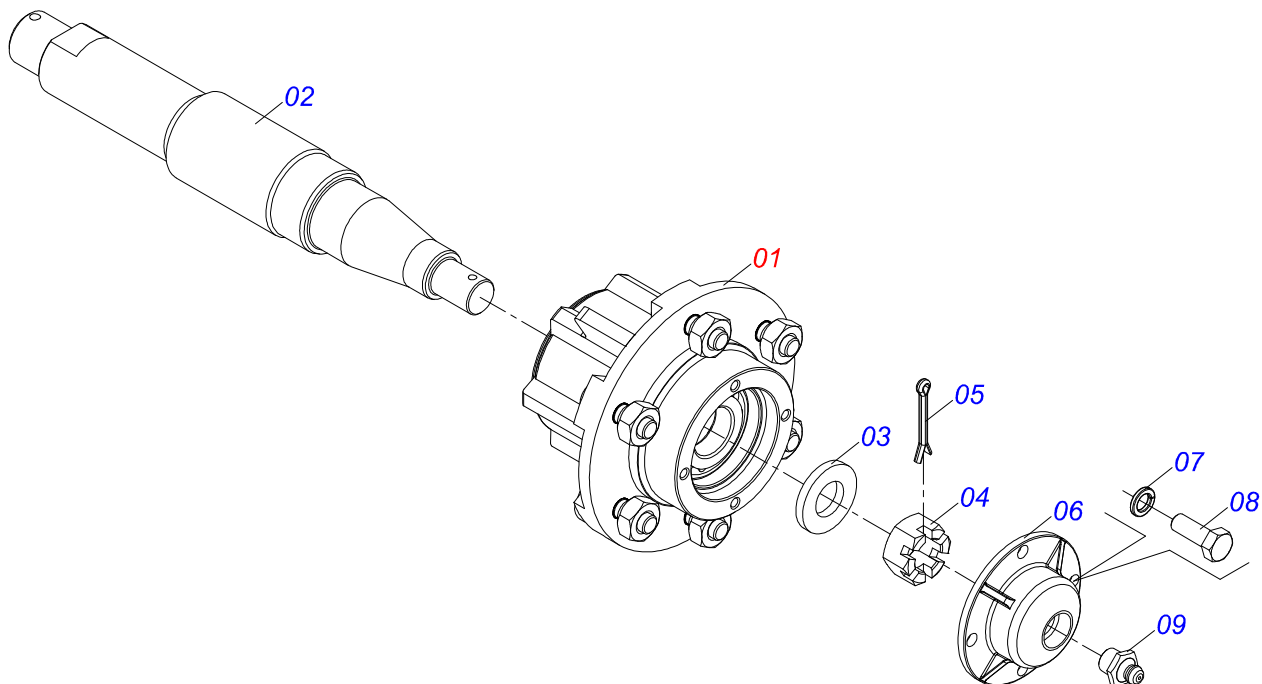
0909091591	FRAME	1
0501051634	TSTUB SHAFT & HUB ASSY	2
0501051142	CARRYING WHEEL HUB	3
0511058426	HYDRAULIC CYLINDER 44,45 X 85,70 X 628 X 330	4
0511058413	HYDRAULIC CYLINDER	5
0521041913	HYDRAULIC CYLINDER 63,5 X 101,6 X 572 X 658	6
0521023764	HYDRAULIC CIRCUIT	7
0909091592	HYDRAULIC CIRCUIT WITH VALVE	8
0909091593	HYDRAULIC CIRCUIT WITHOUT VALVE	9
0909091594	HYDRAULIC CIRCUIT	10
0501053834	MALE QUICK COUPLER	11



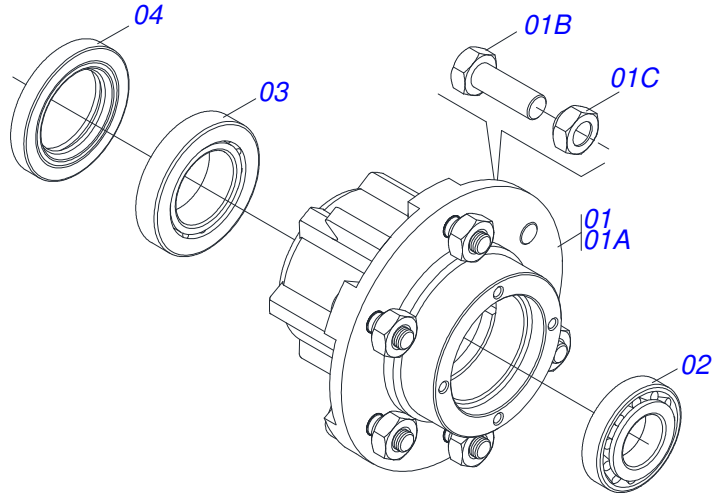
Item	Code	Description	See page	QT
01	0521060610	FRAME		01
02	0521063162	SUPPORT		01
03	0561012652	BLADE SHAFT ARTICULATOR		01
04	0503061649	PONTEIRA HITCH SILPA		01
05	0511019776	FLAT WASHER		01
06	0511047822	STUB SHAFT & HUB ASSY		01
06A	0521060612	WHEEL		01
06B	0501051634	TSTUB SHAFT & HUB ASSY	2	02
06C	0501011301	1.1/2 UNC 6FPP 2.5/16 NUT		02
06D	0503010010	1/4" X 2.1/2" COTTERPIN		02
07	0521040859	LAMP		01
07A	0521063163	LAMINA 3000 LTA 3000C/CH		01
07B	0561012685	SCRAPER		01
07C	0501012239	5/8" X 1.3/4" BOLT		10
07D	0571010265	16.5 X 40 X 3 FLAT WASHER		10
07E	0503011445	SPRING WASHER		10
07F	0503010013	5/8 NUT		10
08	0503060094	WHEEL AND TIRE ASSY		02
08.	0503060091	L29.5"X0.63"-10L WHEEL AND		02
09	0511058426	HYDRAULIC CYLINDER 44,45 X 85,70 X 628 X 330	4	01
10	0511058413	HYDRAULIC CYLINDER	5	02
11	0561012651	SLEEVE 74.50 X 101.60 X 40		01
12	0511013598	3/4" X 4.7" COUPLING SHAFT		01
13	0521010545	1.2" X 5.1" COUPLING SHAFT		01
14	0521012538	1.2" X 3.5" COUPLING SHAFT		01
15	0521063160	FIXER		01
16	0521041913	HYDRAULIC CYLINDER 63,5 X 101,6 X 572 X 658	6	01
17	0503010534	3/8 X 2-1/2 COTTERPIN		03
18	0503010523	1/4" X 2" SPLIT PIN		06
19	0503010071	3/16" X 1" COTTERPIN		02
20	0521010575	C0.9" X 3.3" COUPLING SHAFT		04



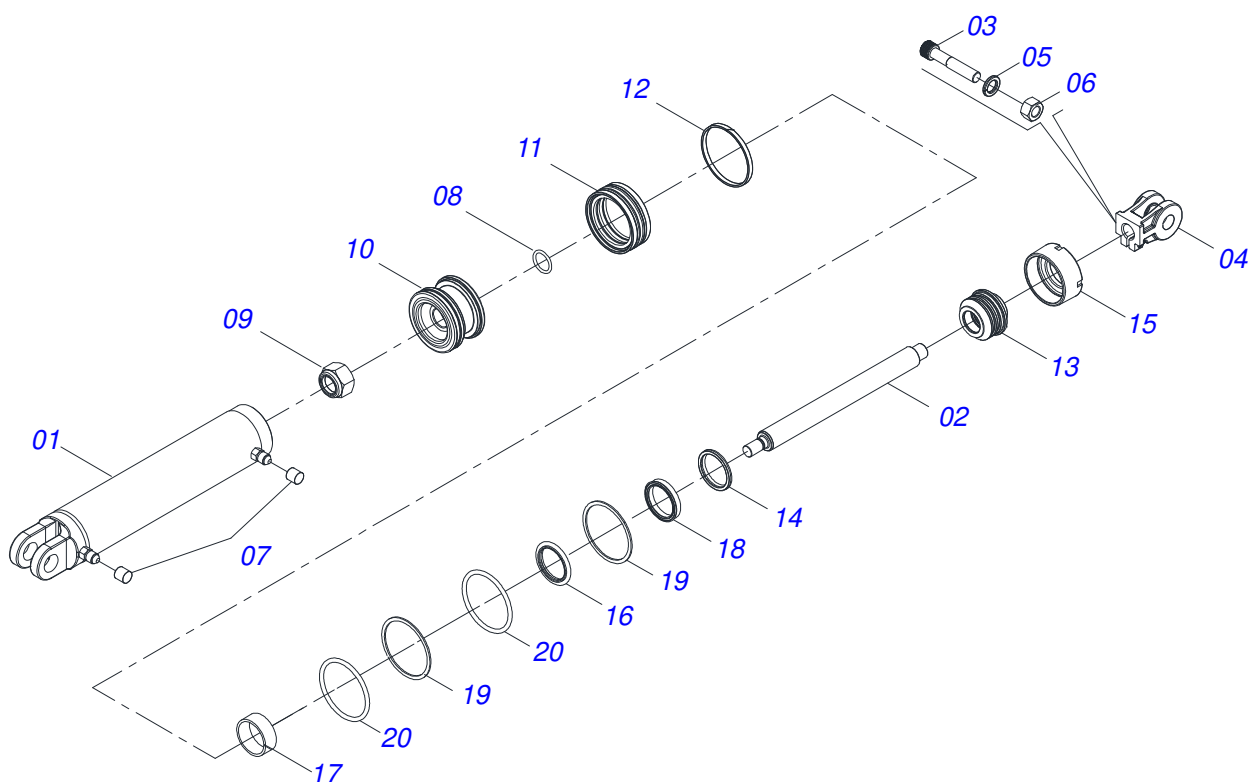
Item	Code	Description	See page	QT
21	0561012693	SHAFT JOINT 31.20 X 163		02
22	0501010307	FLAT WASHER		02
23	0503010002	1800 GREASE FITTING		08
24	0501019757	EXTENSION GREASE FITTING		02
25	0511019520	1.5" X 1.4" PIVOT SHAFT		01
26	0503010899	5/8 UNC X 2.1/4 BOLT		04
27	0503010013	5/8 NUT		04
28	0503010027	5/8 SPRING WASHER		04
29	0503012213	1/4" COTTERPIN		01
30	0503010073	3/8 X 3-1/2 COTTERPIN		01
31	0521023764	HYDRAULIC CIRCUIT	7	01
32	0909091592	HYDRAULIC CIRCUIT WITH VALVE	8	01



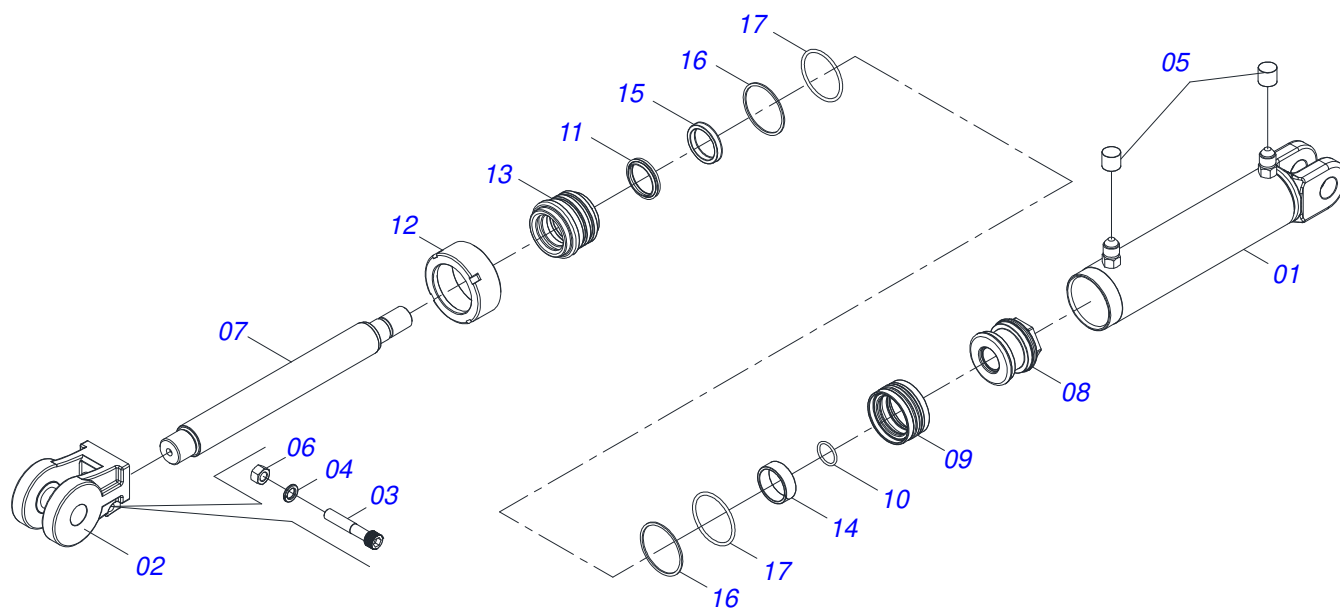
Item	Code	Description	See page	QT
01	0501051142	CARRYING WHEEL HUB	3	01
02	0521010821	2.5" X 16.5" AXLE		01
03	0501016545	FLAT WASHER		01
04	0503030009	1" CASTLE NUT		01
05	0503010018	5/32 X 1-1/2 COTTERPIN		01
06	0502020591	PROTECCION COVER		01
07	0503011444	SPRING WASHER		04
08	0503010358	5/16" X 5/8" BOLT		04
09	0503010002	1800 GREASE FITTING		01



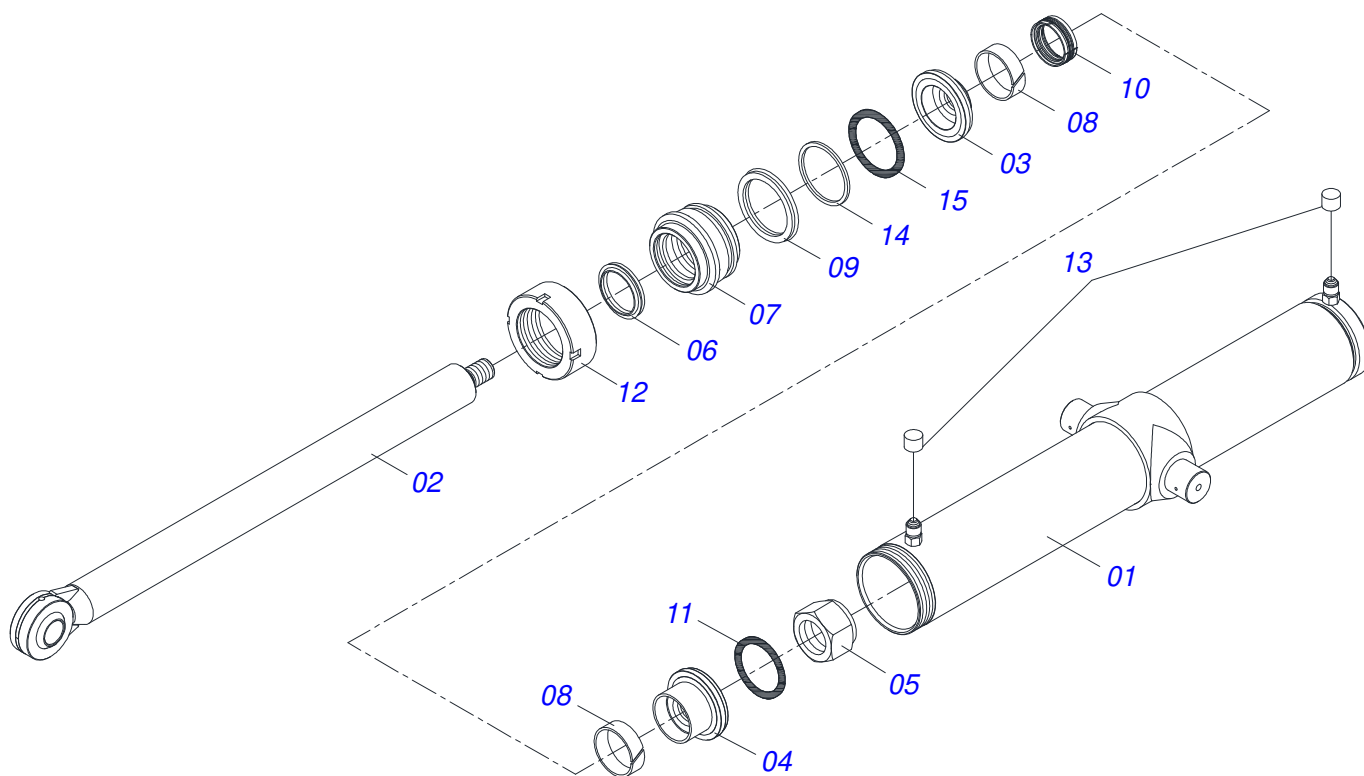
Item	Code	Description	See page	QT
01	0501110728	WHEEL HUB		01
01A	0502011121	CARRYING WHEEL HUB		01
01B	0501010127	9/16" X 1-7/8" LUG BOLT		06
01C	0503010035	9/16" CONIC NUT		06
02	0503010037	30207 ROLLER BEARING		01
03	0503010006	32210 ROLLER BEARING		01
04	0503012928	SEAL		01



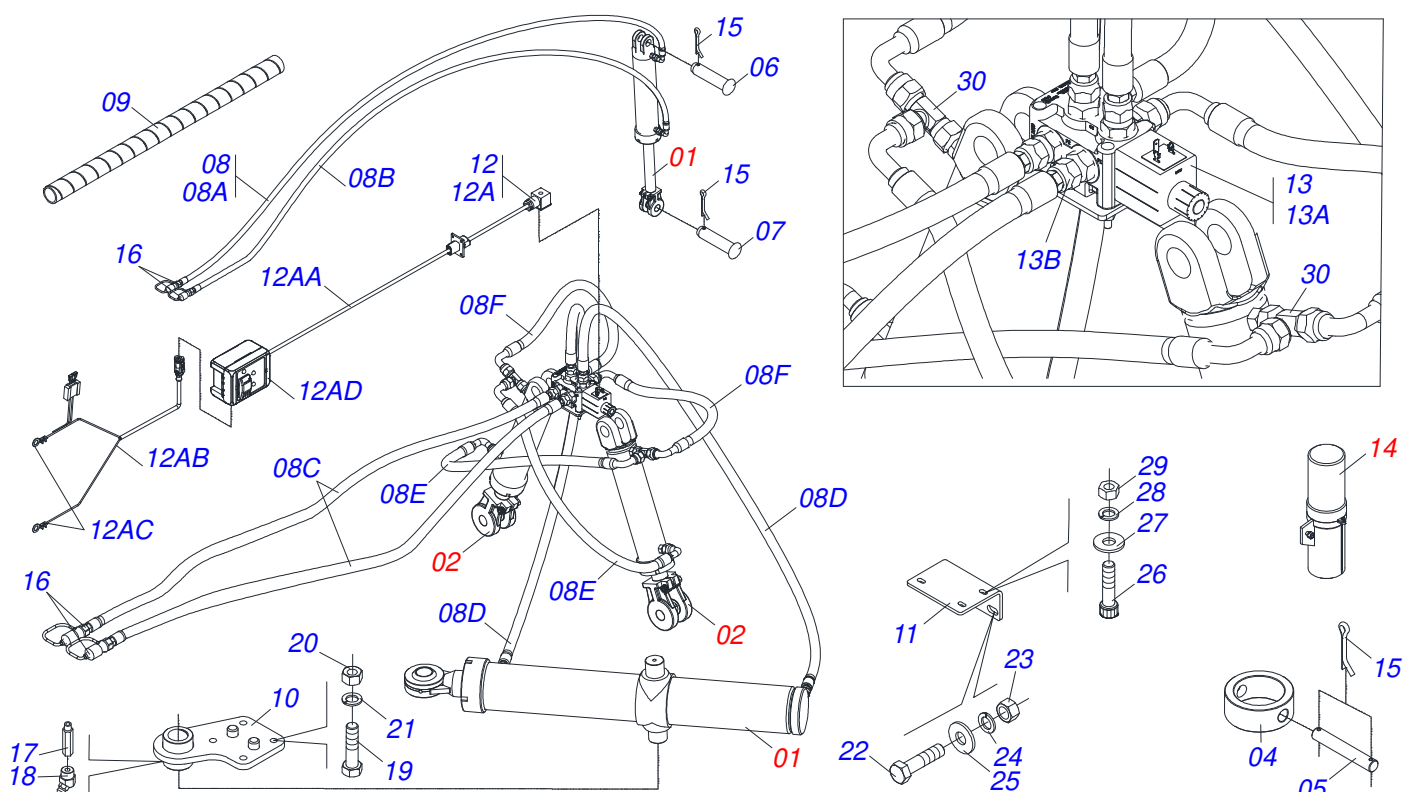
Item	Code	Description	See page	QT
01	0511065683	85,72 X 509 CYLINDER CASE		01
02	0521010827	HYDRAULIC CYLINDER TURNBUCKLE		01
03	0503011094	3/8" X 2" BOLT		01
04	0502040747	32.54 CLEVIS CLAMP		01
05	0503011443	3/8" SPRING WASHER		01
06	0503010026	3/8" NUT		01
07	0503030385	CYLINDER PLUG N-002		02
08	0503010042	2-214 N 3006-9B O'RING		01
09	0503010063	1" SELF-ALIGNING NUT		01
10	0571019710	1.7" X 3.4" PISTON		01
11	0503017935	RING		01
12	0503018144	RING		01
13	0571019711	RING SUPPORT		01
14	0503010761	D-1750 SCRAPER RING		01
15	0571019709	DETACHABLE COVER		01
16	0503017936	RING		01
17	0503017938	RING GUIDE		01
18	0503017937	GASKET		01
19	0503017940	8-337 BACK-UP RING		02
20	0503017939	2-337 N 3006-9B O' RING		02



Item	Code	Description	See page	QT
01	0521066627	CYLINDER CASE		01
02	0502040493	CLEVIS 26,50 R41		01
03	0503011094	3/8" X 2" BOLT		01
04	0503011443	3/8" SPRING WASHER		01
05	0503030385	CYLINDER PLUG N-002		02
06	0503010026	3/8" NUT		01
07	0581010838	TURNBUCLE BODY		01
08	0502012837	PISTON		01
09	0503018005	RING		01
10	0503011109	2-119 N 3006-9B O'RING		01
11	0503010163	D-1500 SCRAPER RING		01
12	0502010471	63,50 MOBILE CAP		01
13	0581010668	RING SUPPORT		01
14	0503018004	RING		01
15	0503018003	GASKET		01
16	0503018163	BACK-UP RING		02
17	0503018162	O'RING		02



Item	Code	Description	See page	QT
01	0521063853	CYLINDER CASE		01
02	0521063852	TURNBUCKLE		01
03	0571013322	PISTON BODY		01
04	0561016387	PISTON BODY		01
05	0503010817	1.1/4" SELF LOCKING NUT		01
06	0503010287	D-2500 SCRAPER RING		01
07	0551016459	RING SUPPORT 2.1/2		01
08	0503010971	W2-2750-500 PK RING G.I		02
09	0503010288	PACKING 2500-2500-375-B		01
10	0503015633	SELEMASTER SEALING		01
11	0503010345	2-218 N 3006-9B O'RING		01
12	0551010932	MOBILE COVER		01
13	0503030385	CYLINDER PLUG N-002		02
14	0503011061	8-342 BACK-UP RING		01
15	0503010338	2-342 N 3006-9B O'RING		01



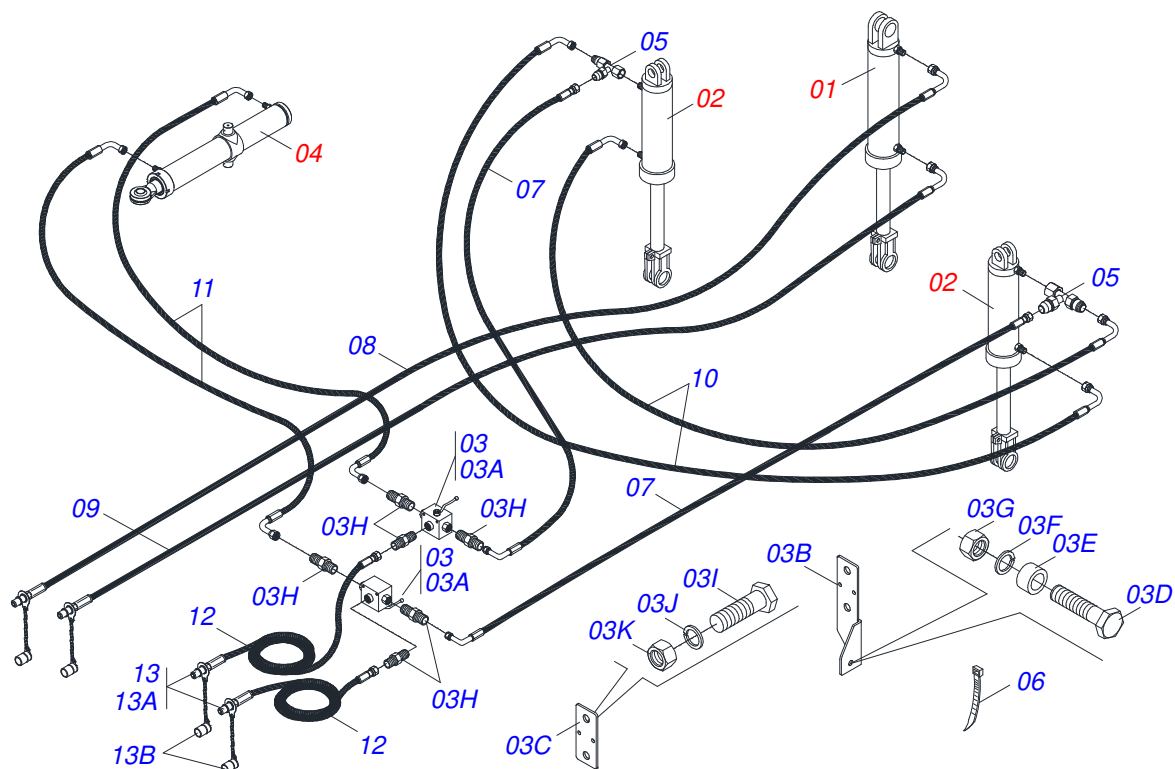
Item	Code	Description	See page	QT
001	0511058426	HYDRAULIC CYLINDER 44,45 X 85,70 X 628 X 330	4	01
002	0511058413	HYDRAULIC CYLINDER	5	02
003	0521041913	HYDRAULIC CYLINDER 63,5 X 101,6 X 572 X 658	6	01
004	0561012651	SLEEVE 74.50 X 101.60 X 40		01
005	0511013598	3/4" X 4.7" COUPLING SHAFT		01
006	0521010545	1.2" X 5.1" COUPLING SHAFT		01
007	0521012538	1.2" X 3.5" COUPLING SHAFT		01
008	0521051565	HOSE ASSY		01
008A	0501080383	3/8" X 197" TC-TM HOSE		01
008B	0501080410	3/8 X 5300 TC-TM HOSE		01
008C	0501081124	HOSE 3/8" X 4200-TM TR		02
008D	0501080128	3/8" X 71" TR-TR HOSE ASSY		02
008E	0501082058	HOSE 3/8 X 800 TC-TC		02
008F	0501080406	3/8" X 23" TR-TC HOSE		02
009	0501082142	SPRING PROTECTION PLASTIC HOSE		01
010	0521063160	FIXER		01
011	0581015048	VALVE SUPPORT		01
012	0521051828	KIT ELECTRICAL		01
012A	0503062695	KIT ELECTRICAL		01
012AA	0503034553	CABLE EASEL		01
012AB	0503034551	2000 CABLE		01
012AC	0503034550	1700 CABLE		01
012AD	0503034554	CONTROL PANEL		01
013	0521051555	SOLENOID VALVE ASSY		01
013A	0503062637	RIGHT VALVE		01
013B	0571013798	3/4" UNF X 3/8 NPT NIPPLE		06
014	0521051564	ASSY PORT MANUAL INSTRUCCION		01
015	0503010523	1/4" X 2" SPLIT PIN		06
016	0501053834	MALE QUICK COUPLER	11	04
017	0501019757	EXTENSION GREASE FITTING		01
018	0503010002	1800 GREASE FITTING		01



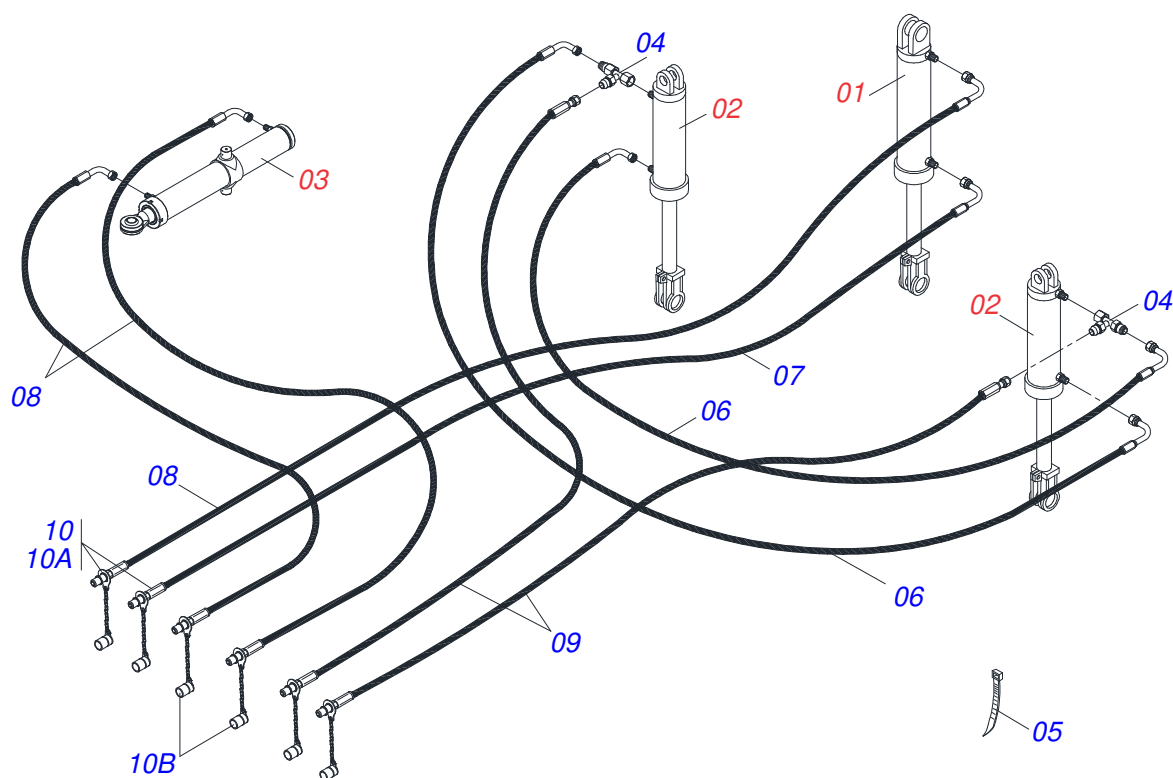
LTA 3000 VEH
HYDRAULIC CIRCUIT

Page 7
0521023764

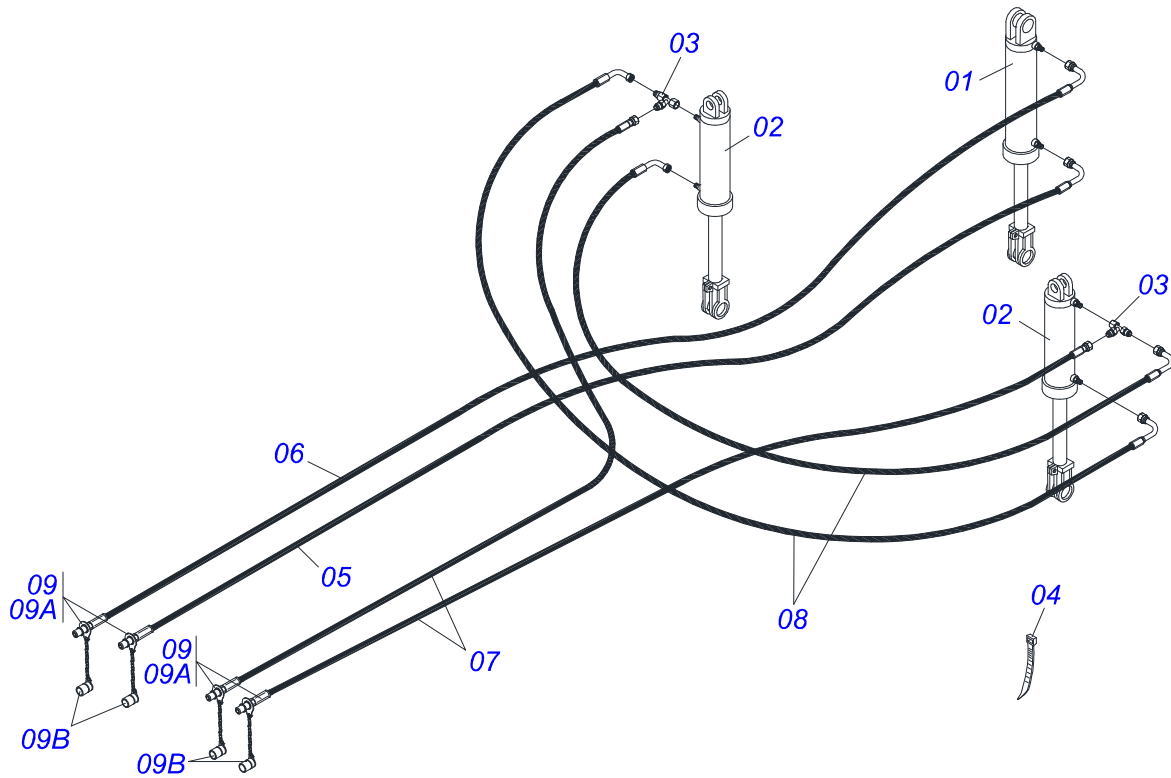
Item	Code	Description	See page	QT
019	0503010899	5/8 UNC X 2.1/4 BOLT		04
020	0503010013	5/8 NUT		04
021	0503010027	5/8 SPRING WASHER		04
022	0503011236	3/8" X 2" BOLT		02
023	0503010026	3/8" NUT		02
024	0503010025	3/8 SPRING WASHER		02
025	0501010984	10,50 X 27 X 3,00 FLAT WASHER		02
026	0503818141	1/4" X 2" BOLT		03
027	0503010305	FLAT WASHER		03
028	0503010143	1/4" SPRING WASHER		03
029	0503010144	1/4" NUT		03
030	0503011968	3/4" 8R6X-S T ADAPTER WITH SWIVEL NUT		02



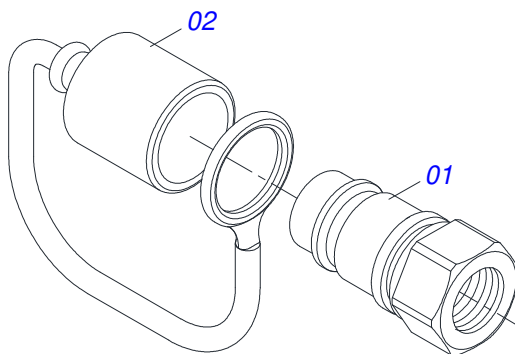
Item	Code	Description	See page	QT
01	0511058426	HYDRAULIC CYLINDER 44,45 X 85,70 X 628 X 330	4	01
02	0511058413	HYDRAULIC CYLINDER	5	02
03	0511053207	VALVE		01
03A	0503016612	VALVE		02
03B	0571013795	VALVE SUPPORT		01
03C	0571013797	FIXER PLATE		01
03D	0503010920	1/2 UNC X 1.1/2 C S G.5 ZN BOLT		01
03E	0571013796	SLEVE FIXATION		01
03F	0503010019	1/2" SPRING WASHER		01
03G	0503010060	1/2 UNC G.5 ZN HEX NUT		01
03H	0571013798	3/4" UNF X 3/8 NPT NIPPLE		06
03I	0503011179	3/8" X 2-1/4" BOLT		02
03J	0503010025	3/8 SPRING WASHER		02
03K	0503010026	3/8" NUT		02
04	0521041913	HYDRAULIC CYLINDER 63,5 X 101,6 X 572 X 658	6	01
05	0503011968	3/4" 8R6X-S T ADAPTER WITH SWIVEL NUT		02
06	0503013100	NYLON CLAMP		04
07	0501080414	3/8" X 110.2" TR-TC HOSE ASSY		02
08	0501080410	3/8 X 5300 TC-TM HOSE		01
09	0501080383	3/8" X 197" TC-TM HOSE		01
10	0501081296	3/8" X 800 TC-TC HOSE		02
11	0501080754	3/8 X 4900 TC-TC HOSE		02
12	0501080852	3/8" X 1500 TR-TM HOSE		02
13	0501053834	MALE QUICK COUPLER	11	04
13A	0503011627	MALE QUICK COUPLER AGR 1/2 NPT		04
13B	0503011882	MALE QUICK COUPLER CAP		04



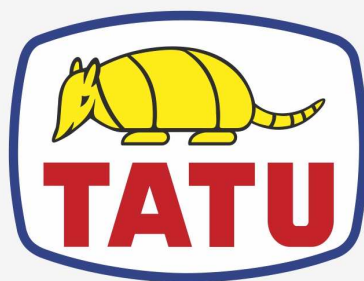
Item	Code	Description	See page	QT
01	0511058426	HYDRAULIC CYLINDER 44,45 X 85,70 X 628 X 330	4	01
02	0511058413	HYDRAULIC CYLINDER	5	02
03	0521041913	HYDRAULIC CYLINDER 63,5 X 101,6 X 572 X 658	6	01
04	0503011968	3/4" 8R6X-S T ADAPTER WITH SWIVEL NUT		02
05	0503013100	NYLON CLAMP		04
06	0501081296	3/8" X 800 TC-TC HOSE		02
07	0501080383	3/8" X 197" TC-TM HOSE		01
08	0501080410	3/8 X 5300 TC-TM HOSE		03
09	0501081124	HOSE 3/8" X 4200-TM TR		02
10	0501053834	MALE QUICK COUPLER	11	06
10A	0503011627	MALE QUICK COUPLER AGR 1/2 NPT		06
10B	0503011882	MALE QUICK COUPLER CAP		06



Item	Code	Description	See page	QT
01	0511058426	HYDRAULIC CYLINDER 44,45 X 85,70 X 628 X 330	4	01
02	0511058413	HYDRAULIC CYLINDER	5	02
03	0503011968	3/4" 8R6X-S T ADAPTER WITH SWIVEL NUT		02
04	0503013100	NYLON CLAMP		01
05	0501080383	3/8" X 197" TC-TM HOSE		01
06	0501080410	3/8 X 5300 TC-TM HOSE		01
07	0501081124	HOSE 3/8" X 4200-TM TR		02
08	0501081296	3/8" X 800 TC-TC HOSE		02
09	0501053834	MALE QUICK COUPLER	11	04
09A	0503011627	MALE QUICK COUPLER AGR 1/2 NPT		04
09B	0503011882	MALE QUICK COUPLER CAP		04



Item	Code	Description	See page	QT
01	0503011627	MALE QUICK COUPLER AGR 1/2 NPT		01
02	0503011882	MALE QUICK COUPLER CAP		01



MARCHESAN

Technical Publications | Elaboration and Revision

LUIZ CANDIDO

www.marchesan.com.br

