

PCA T / PCA PLUS - AGRICULTURAL FRONT LOADER

PCA PLUS 1450 VALTRA A750A950 BT SC S/AC

Code: 0501092039

Series: S-0417

Revision: 00

Date Revision: ABRIL/2021

PARTS CATALOGUE



MARCHESAN



PRODUCTS

Code	Description
0106111761	PCA PLUS 1450 VTR A750A950 BT SC S/AC

ATTENTION: IMPORTANT

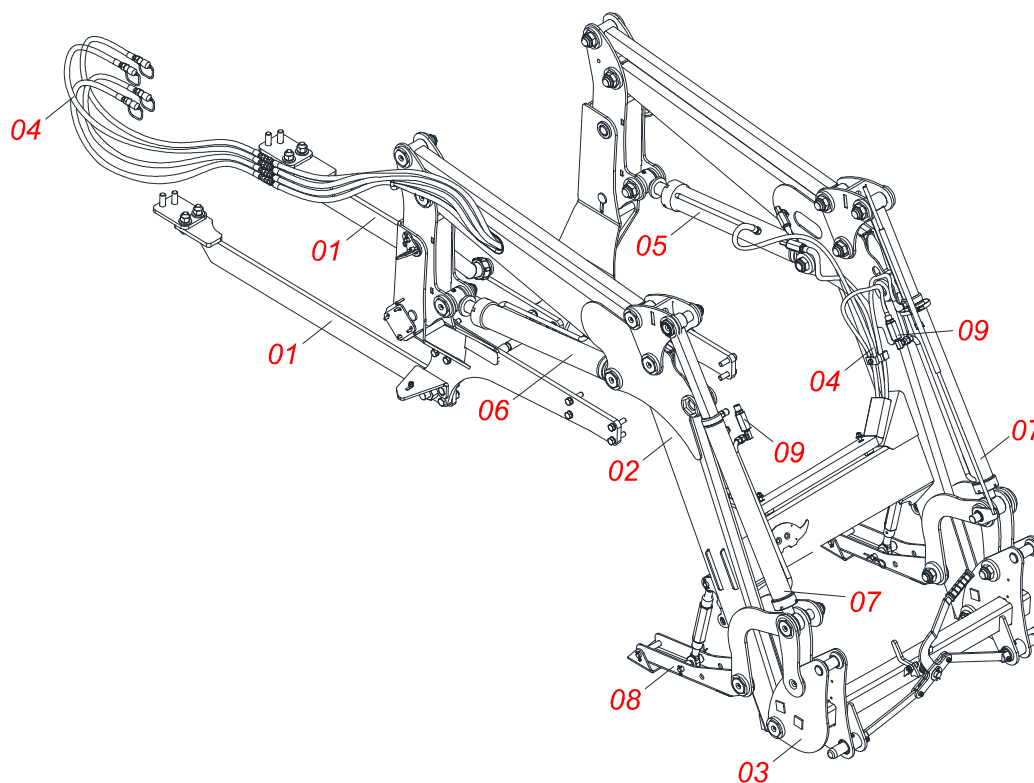
Marchesan S.A. reserves the right to improve and / or modify the technical features of its products, without obligation to do the same with those products already sold and without prior knowledge of the dealer or the consumer.



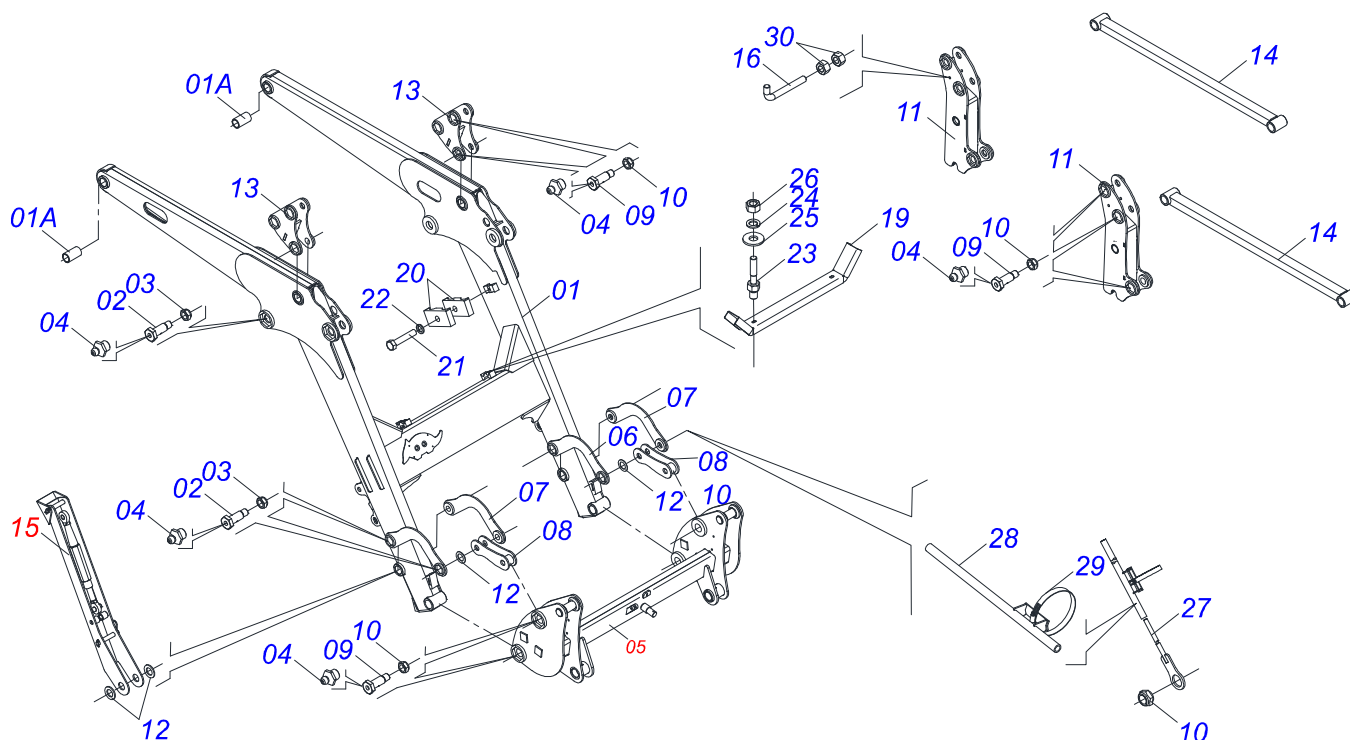
MARCHESAN

INDEX

0106111761	PCA PLUS 1450 VTR A750A950 BT SC S/AC	1
0521047252	ASSY MOBILE SUPPORT	2
0521047253	FRAME ASSY	3
0909093579	ARTICULATOR ASSEMBLY	4
0909093586	HYDRAULIC CIRCUIT MOBILE SUPPORT PCA PLUS 1450E	5
0521050919	HYDRAULIC CILINDER 44,45X76,10X845X505 LEFT	6
0521050921	HYDRAULIC CILINDER 44,45X76,10X845X505 RIGHT	7
0521050918	HYDRAULIC CILINDER 38,10X63,50X1167X610,5	8
0909093576	REST OF MOVEL SUPPORT	9
0511057772	SECURITY VALVE ASSY	10
0501053834	MALE QUICK COUPLER WITH CAP - 1/2 NPT	11
0501053835	FEMALE QUICK COUPLER	12

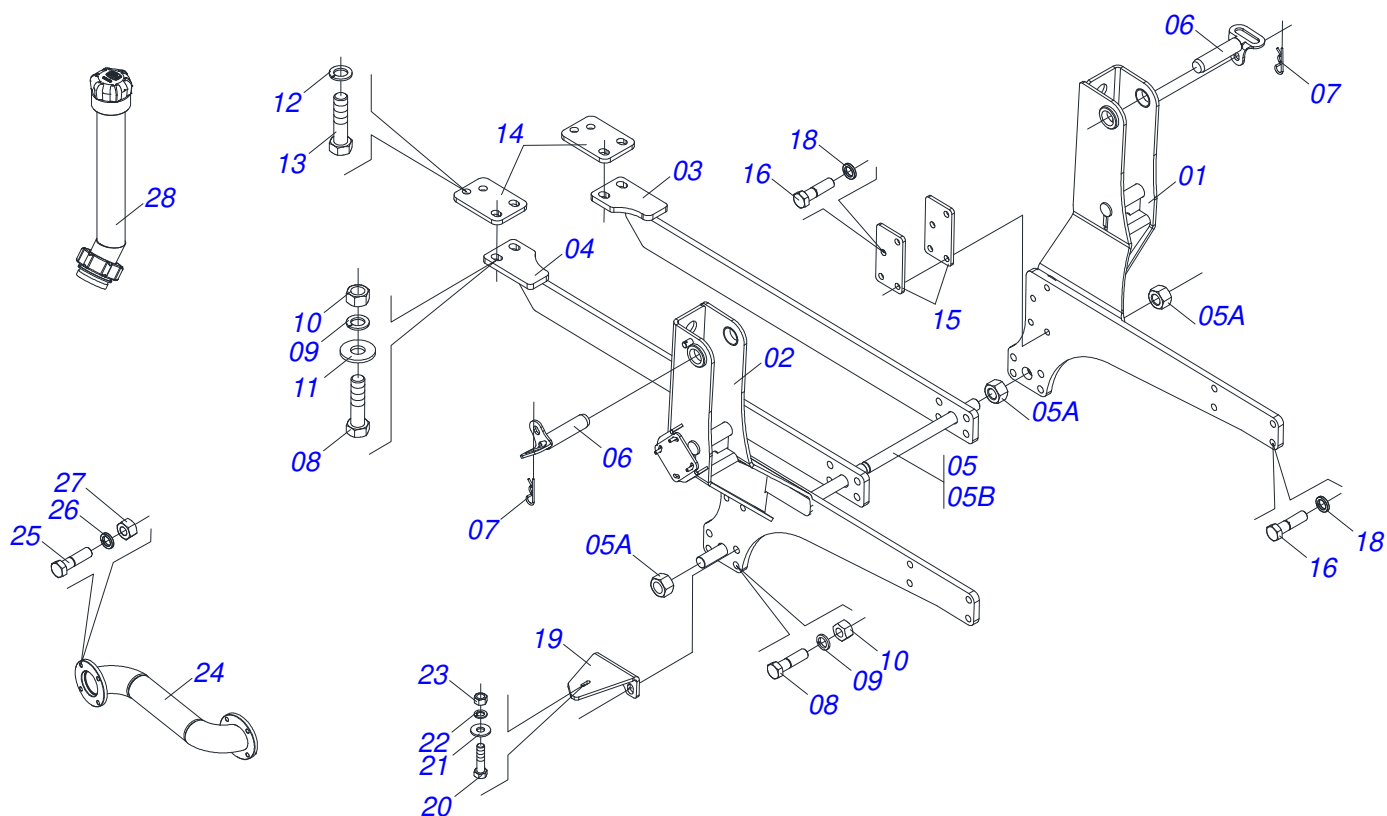


Item	Code	Description	See page	QT
001	0521047253	FRAME ASSY	3	01
002	0521047252	ASSY MOBILE SUPPORT	2	01
003	0909093579	ARTICULATOR ASSEMBLY	4	01
004	0909093586	HYDRAULIC CIRCUIT MOBILE SUPPORT PLUS 1450E	PCA 5	01
005	0521050919	HYDRAULIC CILINDER 44,45X76,10X845X505 LEFT	6	01
006	0521050921	HYDRAULIC CILINDER 44,45X76,10X845X505 RIGHT	7	01
007	0521050918	HYDRAULIC CILINDER 38,10X63,50X1167X610,5	8	02
008	0909093576	REST OF MOVEL SUPPORT	9	02
009	0511057772	SECURITY VALVE ASSY	10	04

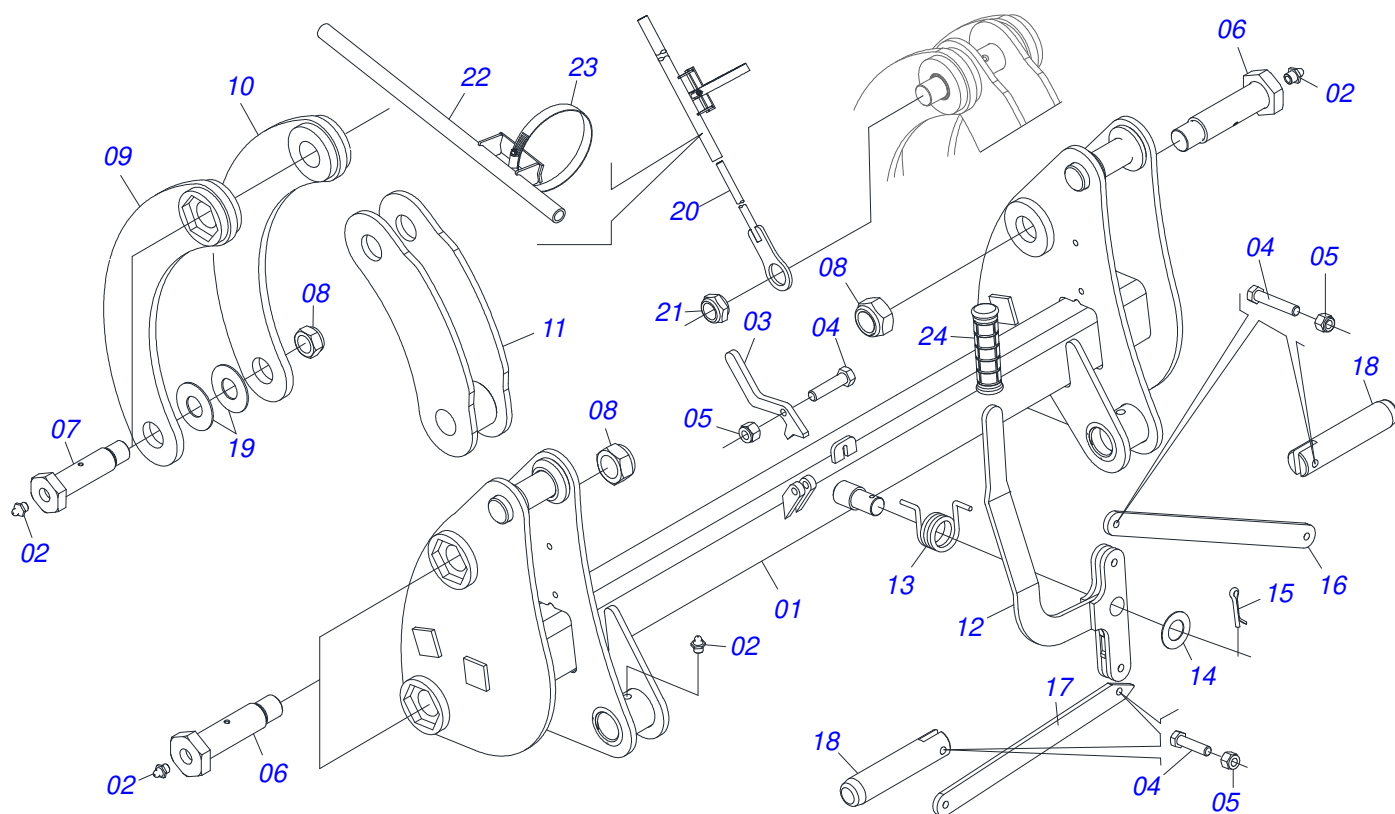


Item	Code	Description	See page	QT
01	0521067765	MOBILE SUPPORT		01
01A	0571018080	BUSHING Ø37,70 X Ø45,15 X 80 PCA-T 1500		04
02	0571018265	1.1/4" UNF X 112 ZN BOLT		02
03	0503010044	1-1/4" SELF LOCKING NUT		02
04	0503010002	1800 GREASE FITTING		04
05	0909093579	ARTICULATOR ASSEMBLY	4	01
06	0521067775	ARM		02
07	0521067774	ARM		02
08	0521067769	ARTICULATION		02
09	0571018264	1.1/4" UNF X 149 ZN BOLT		05
10	0503010044	1-1/4" SELF LOCKING NUT		05
11	0521067487	MOBILE TOWER		02
12	0571018258	FLAT WASHER		04
13	0521067537	COPIER UPPER		02
14	0521067538	COPIER ARM		02
15	0909093576	REST OF MOVEL SUPPORT	9	02
16	0581010285	CONTROL LOCKING HOOK		01
17	0511057772	SECURITY VALVE ASSY	10	02
18	0503062416	BLOCK COMMAND		01
19	0521067781	PROTETION COVER		01
20	0502010477	HOSE CLAMP		03
21	0503012555	SCREW 7/16 UNC X 2 CS RT G.7 ZN		03
22	0503010180	7/16" SPRING WASHER		03
23	0581014286	PRISONER		02
24	0503010025	3/8" SPRING WASHER		02
25	0501013518	FLAT WASHER		02
26	0503010026	3/8" NUT		02
27	0521066413	LEVEL ROD		01
28	0521066412	TIE ROD GUIDE		01
29	0503011372	102 TO 121 CLAMP		01
30	0503010060	1/2" NUT		02

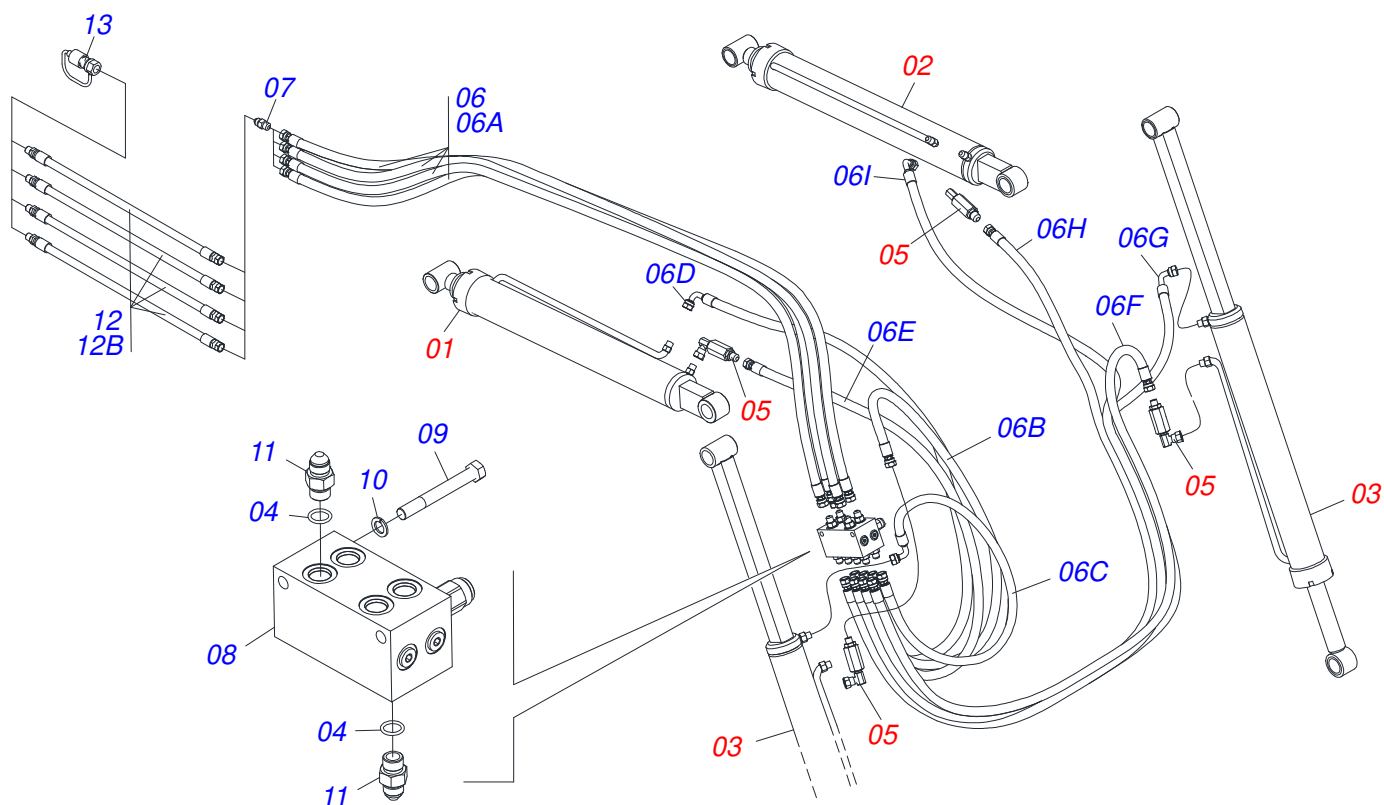
FRAME ASSY



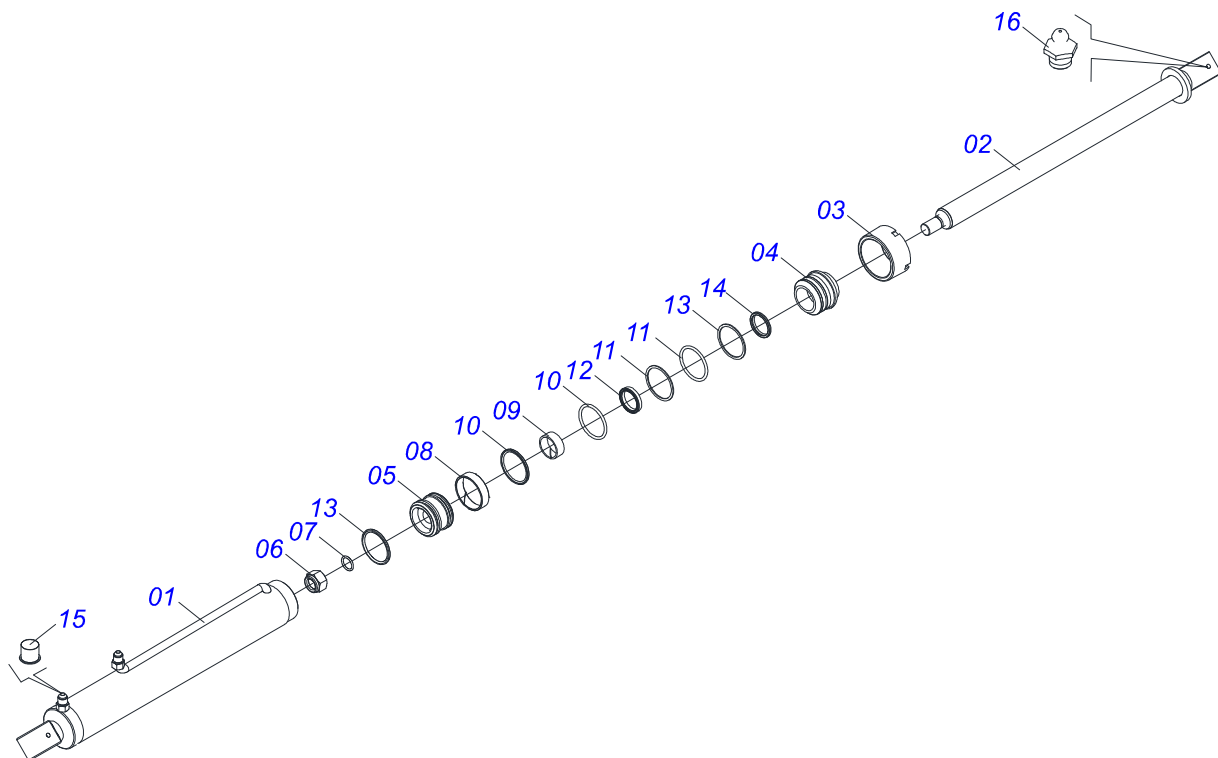
Item	Code	Description	See page	QT
001	0521067779	FRAME BRACKET		01
002	0521067778	RIGHT FRAME		01
003	0521067787	BACK BAR		01
004	0521067786	BACK BAR		01
005	0501044434	1" NC X 700 ROD W/NUTS		01
005A	0501010087	1.1/4" NUT		04
005B	0501014753	1" NC X 700 ROD		01
06	0521067783	SUPPORT FIXER AXLE		02
07	0503030168	HAIR PIN		02
08	0501010827	3/4" X 2-3/4" BOLT		12
09	0503010023	3/4" SPRING WASHER		12
10	0503010014	3/4" NUT		12
11	0501010322	FLAT WASHER		04
12	0503013111	M20 X 2,5 X 65 BOLT		04
13	0503010408	7/8" SPRING WASHER		04
14	0581014299	FIXING BASE		02
15	0581014300	CHOCK		02
16	0503011730	M16 X 2 X 60 BOLT		16
18	0503010027	5/8" SPRING WASHER		16
19	0581014258	FIXING BASE		01
20	0503010751	C3/8" X 1.1/4" HEX BOLT G.5		01
21	0501013518	FLAT WASHER		01
22	0503010025	3/8" SPRING WASHER		01
23	0503010026	3/8" NUT		01
24	0521067780	EXHAUST COMPLEMENT		01
25	0503010365	NUT		08
26	0503010179	5/16" ZN SPRING WASHER		08
27	0503010337	5/16" NUT		08
28	0511051801	TANK COVER EXTENSION		01



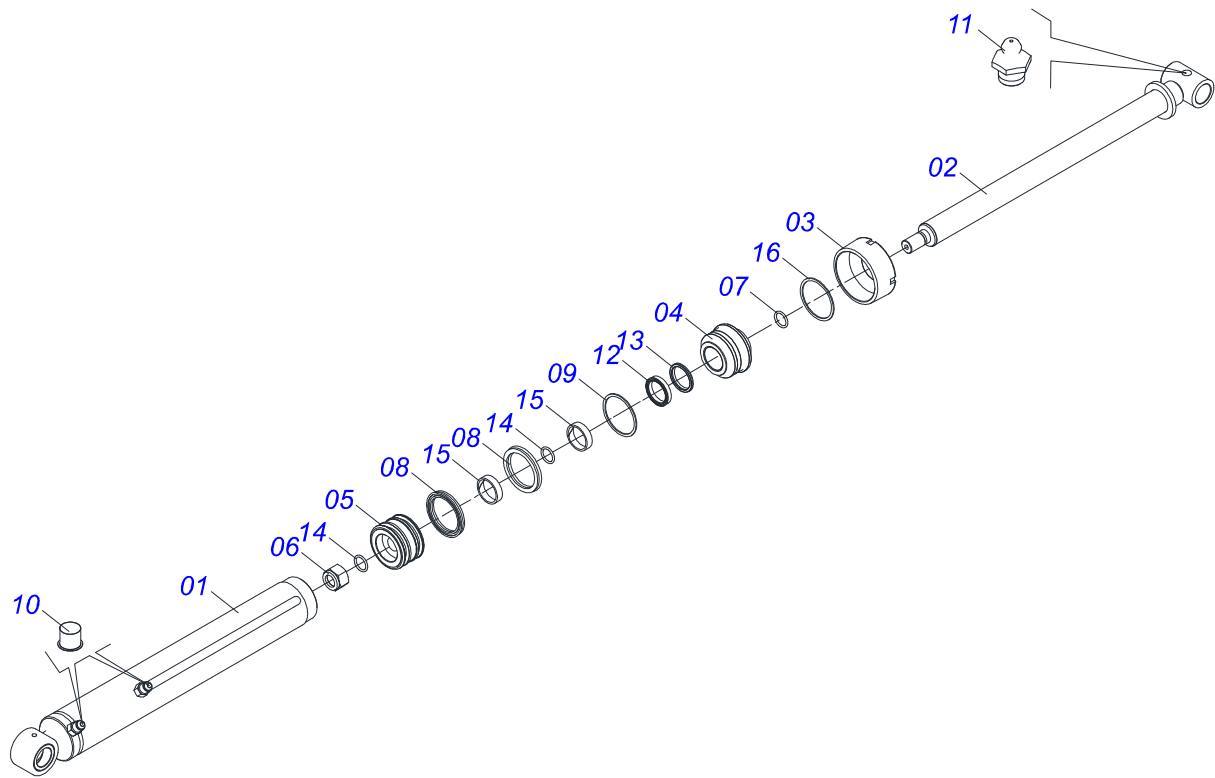
Item	Code	Description	See page	QT
01	0521067766	CARRYING-WHEELS PIVOT	01	01
02	0503010002	1800 GREASE FITTING	10	10
03	0571018934	PENDULUM LOCKS	01	01
04	0503011236	3/8" X 2" BOLT	05	05
05	0503013357	3/8" SELF-ADJUSTING NUT	05	05
06	0571018264	1.1/4" UNF X 149 ZN BOLT	04	04
07	0571018245	1.1/4" UNF X 139 BOLT	04	04
08	0503010044	1-1/4" SELF LOCKING NUT	07	07
09	0521065744	EXTERNAL ARM OF THE ARTICULATOR	02	02
10	0521065750	INNER ARM OF ARTICULATOR	02	02
11	0521067478	LOWER ARTICULATOR	02	02
12	0521065888	LEVER	01	01
13	0503034192	TORSION SPRING	01	01
14	0561811883	28,5 X 51,5 X 1,50 SA FLAT WASHER	01	01
15	0503010523	1/4" X 2" COTTERPIN	01	01
16	0571018935	SPRING SUPPORT ARM	01	01
17	0571018125	RIGHT ARM OF THE UNLOCK	01	01
18	0571018129	PIN LOCK ACCESSORY	02	02
19	0551014871	FLAT WASHER	04	04
20	0521066413	LEVEL ROD	01	01
21	0571018205	1.1/4"XUNF NUT WITH RECESS	01	01
22	0521066412	TIE ROD GUIDE	01	01
23	0503011372	102 TO 121 CLAMP	01	01
24	0503037382	Ø25 X 120 PVC HANDLE	01	01



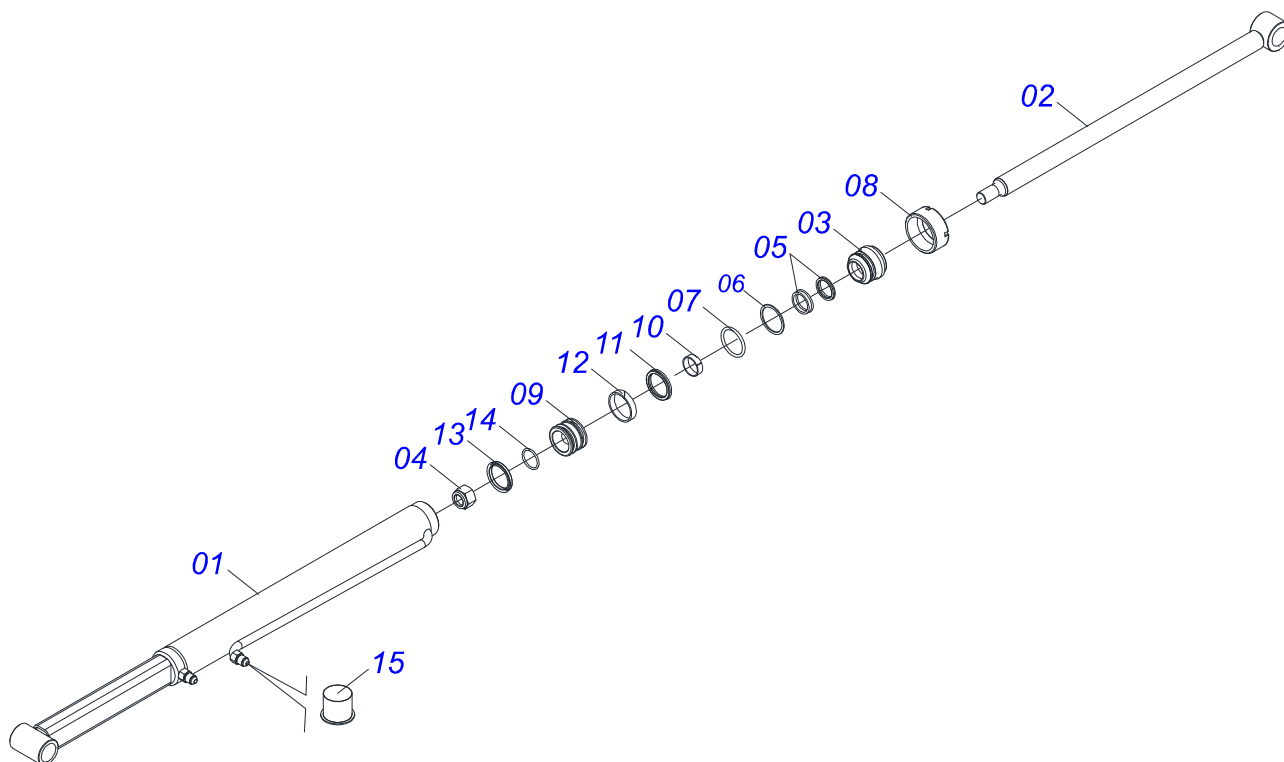
Item	Code	Description	See page	QT
01	0521050919	HYDRAULIC CILINDER 44,45X76,10X845X505 LEFT	6	01
02	0521050921	HYDRAULIC CILINDER 44,45X76,10X845X505 RIGHT	7	01
03	0521050918	HYDRAULIC CILINDER 38,10X63,50X1167X610,5	8	02
04	0503010190	2-114 N 3006-9B O'RING		12
05	0511057772	SECURITY VALVE ASSY	10	04
06	0521050923	HOSE KIT		01
06A	0501080506	3/8" X 75" TR-TR HOSE ASSY		04
06B	0501080475	3/8" X 950 TR-TR HOSE ASSY		03
06C	0501080375	3/8 X 23.6" TR-TC HOSE ASSY		01
06D	0501080386	HOSE 3/8 X 1050 TR-TC		01
06E	0501080461	TR-TC HOSE ASSY		01
06F	0501080616	3/8" X 1550 TR-TR HOSE ASSY		01
06G	0501082001	TR-TC HOSE ASSY		01
06H	0501081053	1/2" X 8000 TC-TM HOSE ASSY		01
06I	0501080302	TR-TC HOSE ASSY		01
07	0571018714	3/4"X3/4"UNF NIPPLE UNION (SEXT 7/8"X50)		04
08	0503062416	BLOCK COMMAND		01
09	0503010851	7/16" X 3.1/2" BOLT		02
10	0503010180	7/16" SPRING WASHER		02
11	0501010617	3/4" NIPPLE		12
12	0521050923	HOSE KIT		01
12A	0503033158	PLASTIC BAG		01
12B	0501080251	HOSE 3/8 X 2450 TR-TM		04
13	0501053834	MALE QUICK COUPLER WITH CAP - 1/2 NPT	11	04



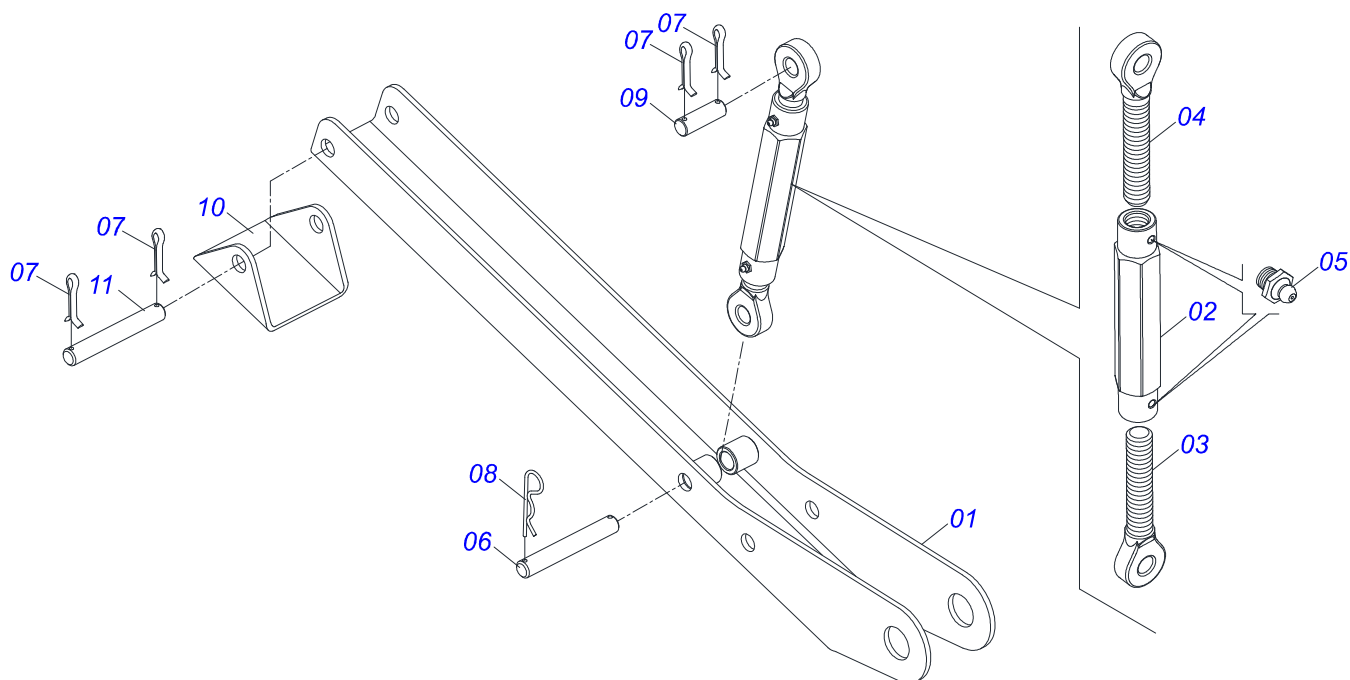
Item	Code	Description	See page	QT
01	0511071184	76,20 X 690 CYLINDER CASE		01
02	0521067543	44,45 X 774 AIR TURNBUCKLE		01
03	0502011899	MOBILE COVER		01
04	0581010301	RING SUPPORT		01
05	0581010304	PISTON		01
06	0503010063	1" SELF-ALIGNING NUT		01
07	0503017938	RING GUIDE		01
08	0503017937	GASKET		01
09	0503010761	D-1750 SCRAPER RING		01
10	0503011059	8-334 BACK-UP RING		02
11	0503010343	2-334 N 3006-9B O'RING		02
12	0503018140	RING GUIDE		01
13	0503018138	RING BS		02
14	0503010042	2-214 N 3006-9B O'RING		01
15	0503030385	CYLINDER PLUG N-002		02
16	0503010002	1800 GREASE FITTING		02



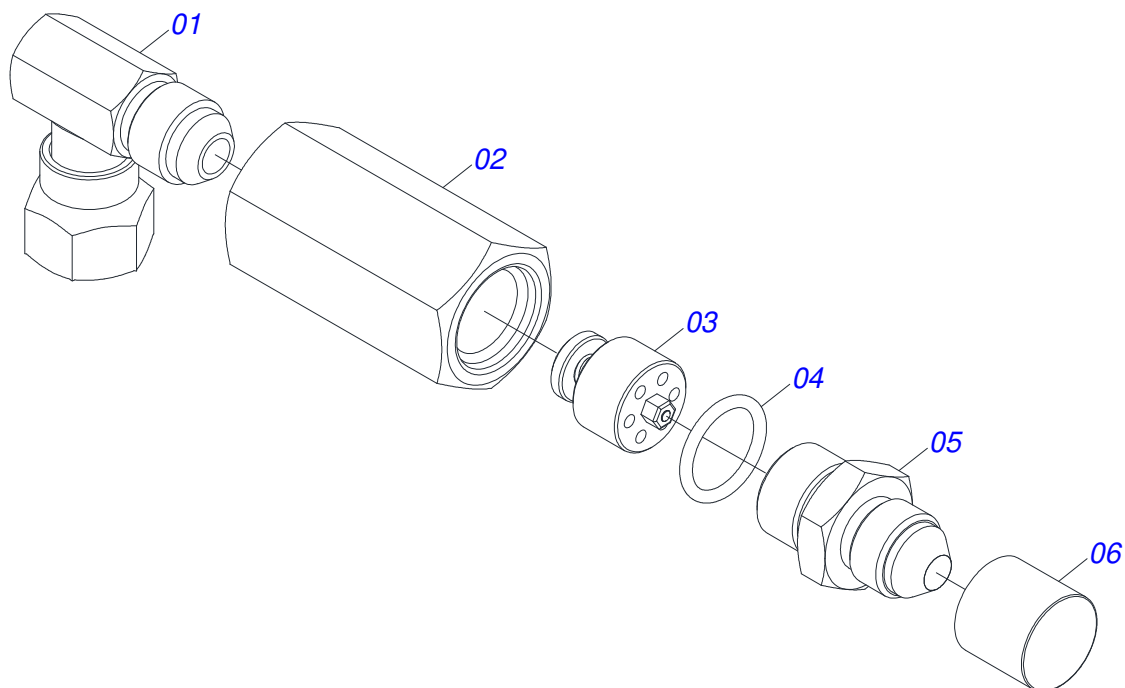
Item	Code	Description	See page	QT
01	0511071187	76,20 X 690 CYLINDER CASE		01
02	0521067543	44,45 X 774 AIR TURNBUCKLE		01
03	0502011899	MOBILE COVER		01
04	0581010301	RING SUPPORT		01
05	0581010304	PISTON		01
06	0503010063	1" SELF-ALIGNING NUT		01
07	0503018140	RING GUIDE		01
08	0503018138	RING BS		02
09	0503010042	2-214 N 3006-9B O'RING		01
10	0503030385	CYLINDER PLUG N-002		02
11	0503010002	1800 GREASE FITTING		02
12	0503010761	D-1750 SCRAPER RING		01
13	0503017937	GASKET		01
14	0503017938	RING GUIDE		01
15	0503011059	8-334 BACK-UP RING		02
16	0503010343	2-334 N 3006-9B O'RING		02



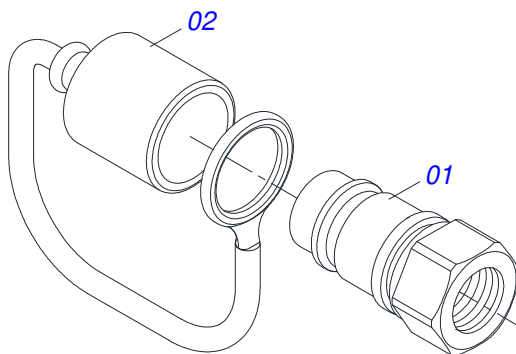
Item	Code	Description	See page	QT
01	0521067770	63,50 X 1081 CYLINDER CASE		01
02	0521067771	1.5" X 797 TURNBUCLE		01
03	0502010783	1.5" X 2.5" PISTON		01
04	0503010063	1" SELF-ALIGNING NUT		01
05	0503010160	2500 2000 GASKET		02
06	0503010973	W2-2500-500 PK O'RING G.E		01
07	0503010285	2-222 N 3006-9B O'RING		01
08	0502010471	MOBILE COVER		01
09	0502010780	RING SUPPORT		01
10	0503010161	2-330 N 3006 9B O'RING		01
11	0503011058	8-330 BACK-UP RING		01
12	0503010163	D-1500 SCRAPER RING		01
13	0503010989	1870-1500-375-B GASKET		01
14	0503010970	W1-1650-500 PK O'RING G.E		01
15	0503030385	CYLINDER PLUG N-002		02



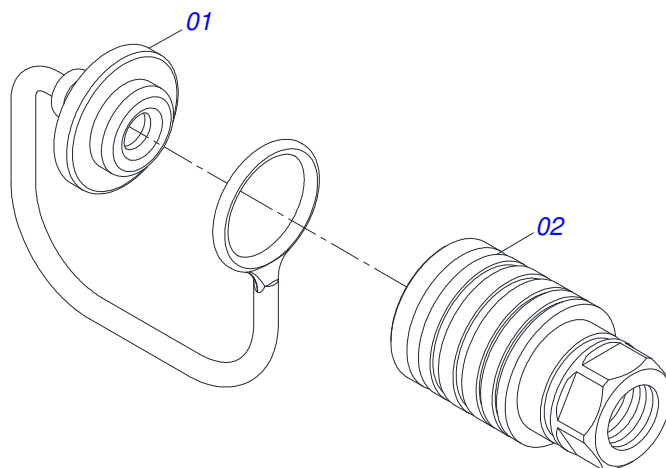
Item	Code	Description	See page	QT
01	0521067773	PLOUGH SUPPORT BODY		02
02	0502012530	REGULATOR NUT BODY R1		02
03	0502012562	LEFT SPINDLE R1 X 160		02
04	0502012529	RIGHT SPINDLE R1 X 160		02
05	0503010002	1800 GREASE FITTING		04
06	0511013598	3/4" X 4.7" COUPLING SHAFT		02
07	0503010071	3/16" X 1" COTTERPIN		06
08	0503030012	HAIR PIN		02
09	0561015578	3/4 X 56 PCA VTR A750 COUPLING SHAFT		02
10	0571018252	REST BASE		02
11	0521012777	COUPLING SHAFT		02



Item	Code	Description	See page	QT
01	0503018034	MALE KNEE JIC		01
02	0581014055	ADAPTER		01
03	0503016854	VALVE ASSY		01
04	0503010045	O'RING		01
05	0581014054	BSP 1/2" NIPPLE		01
06	0503030385	CYLINDER PLUG N-002		01



Item	Code	Description	See page	QT
01	0503011627	MALE QUICK COUPLER AGR 1/2 NPT		01
02	0503011882	MALE QUICK COUPLER CAP		01



Item	Code	Description	See page	QT
01	0503011883	QUICK CONNECTION COVER		01
02	0503011628	FEMALE QUICK COUPLER		01

ANNOTATION



Lined area for writing annotations.



MARCHESAN

Technical Publications | Elaboration and Revision

LUIZ CANDIDO

www.marchesan.com.br

