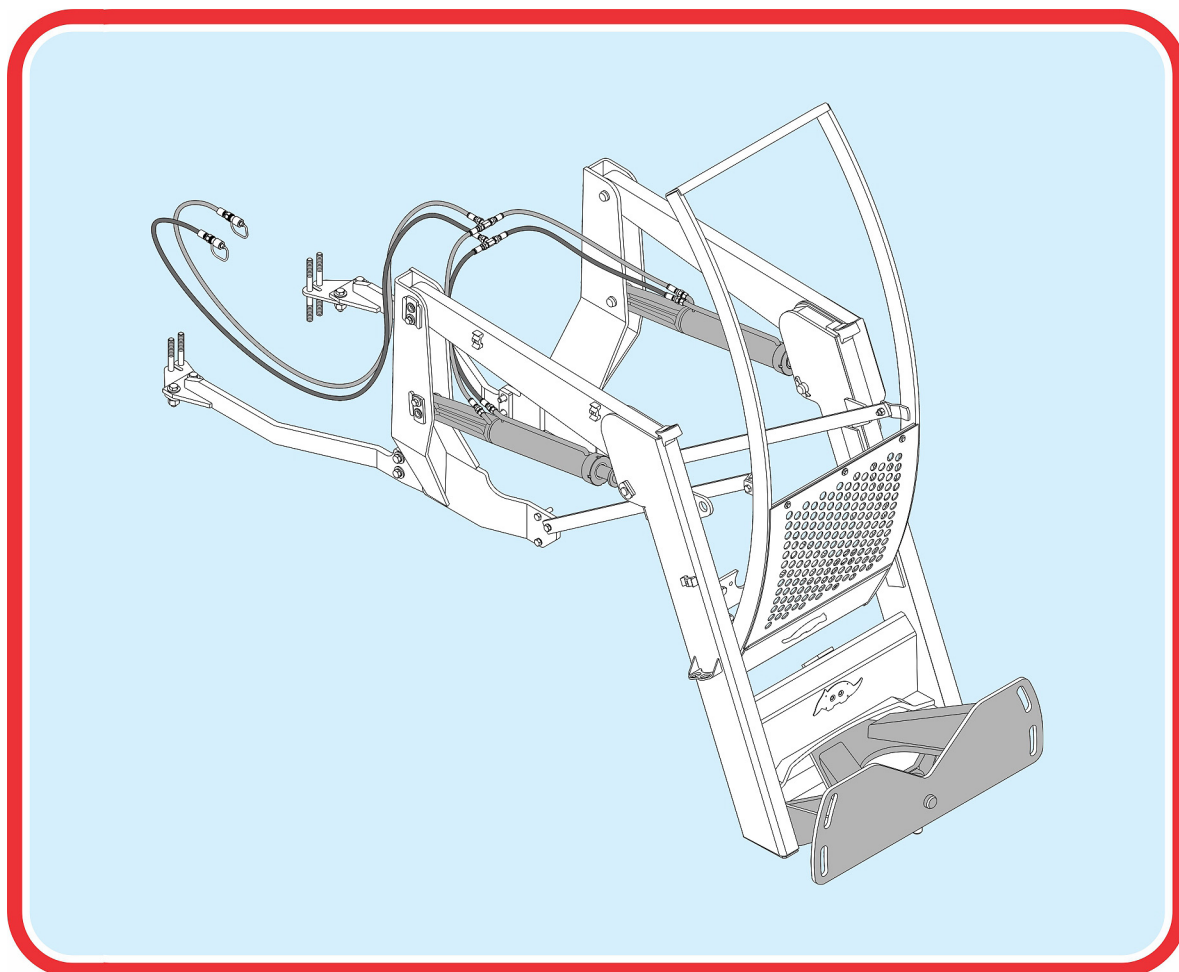


PARTS CATALOG

PD - FRONT LOADER

PD JD6303/5403/5075E ESPECIAL

Code: 0501092037



Series: 0311

Review: OUTUBRO/2017

ORIGINAL PARTS
TATU



PRODUCTS

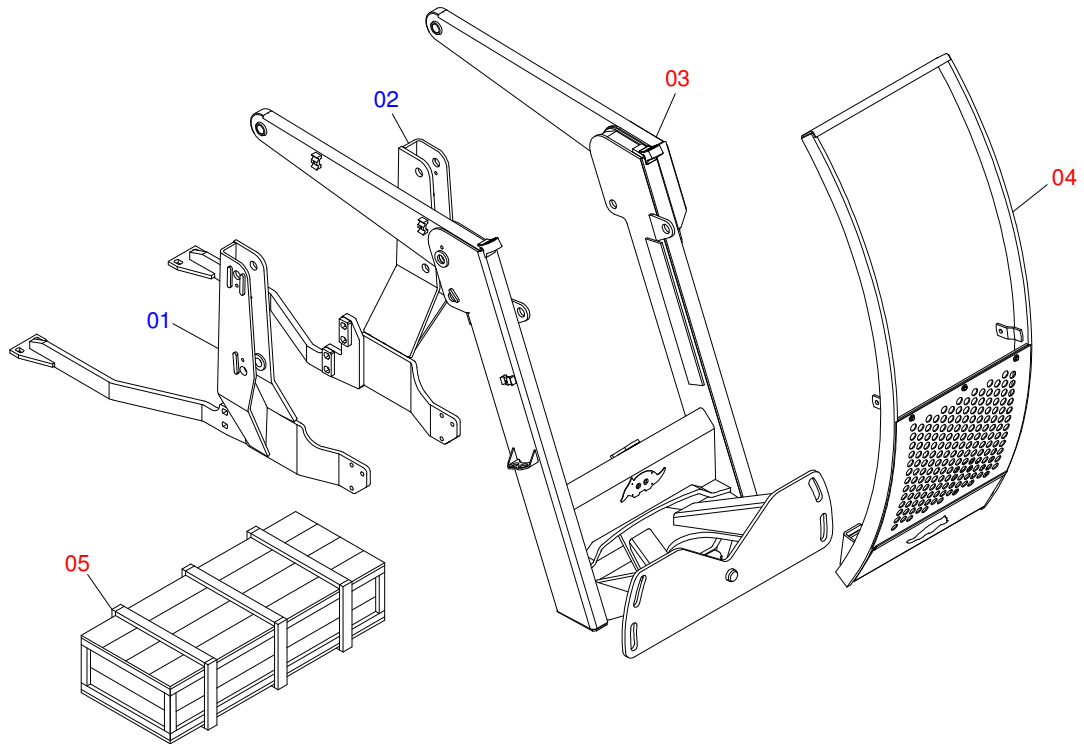
Code	Description
0106120061	PD JD6303/5403/5075E 3C BTSC SL GAL

ATTENTION: *IMPORTANT*

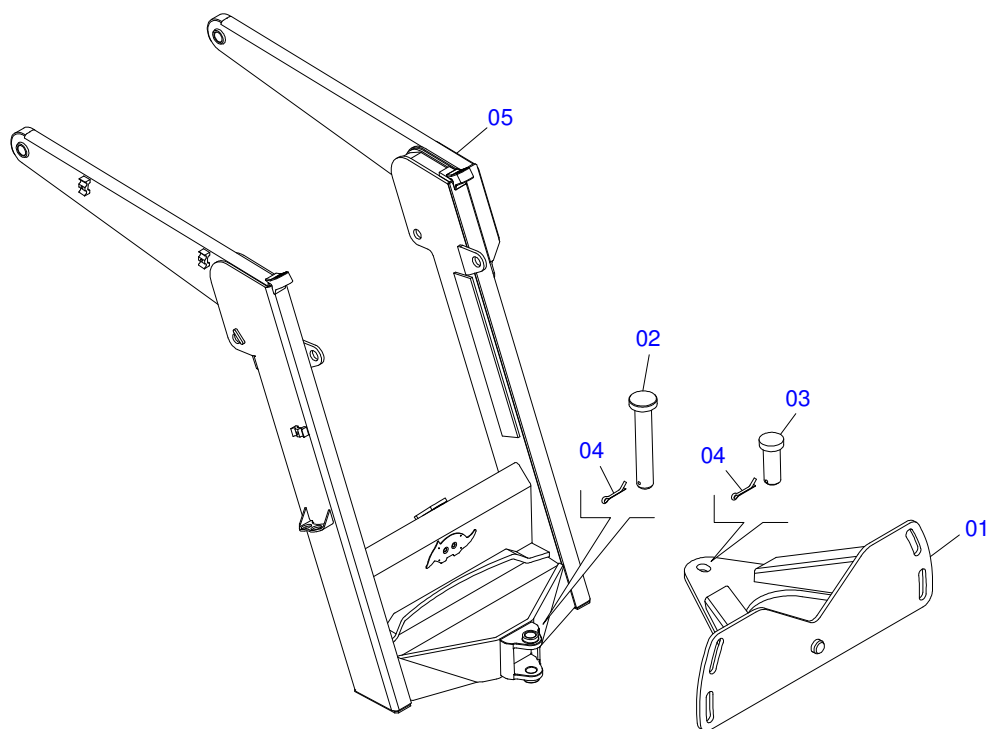
MARCHESAN S/A RESERVES THE RIGHT AT ANY TIME TO MAKE IMPROVEMENTS IN THE DESIGN, MATERIAL OR SPECIFICATIONS OF MACHINERY, EQUIPMENT OR PARTS WITHOUT THEREBY BECOMING LIABLE TO MAKE SIMILAR CHANGES IN MACHINERY, EQUIPMENT OR PARTS PREVIOUSLY SOLD.

INDEX

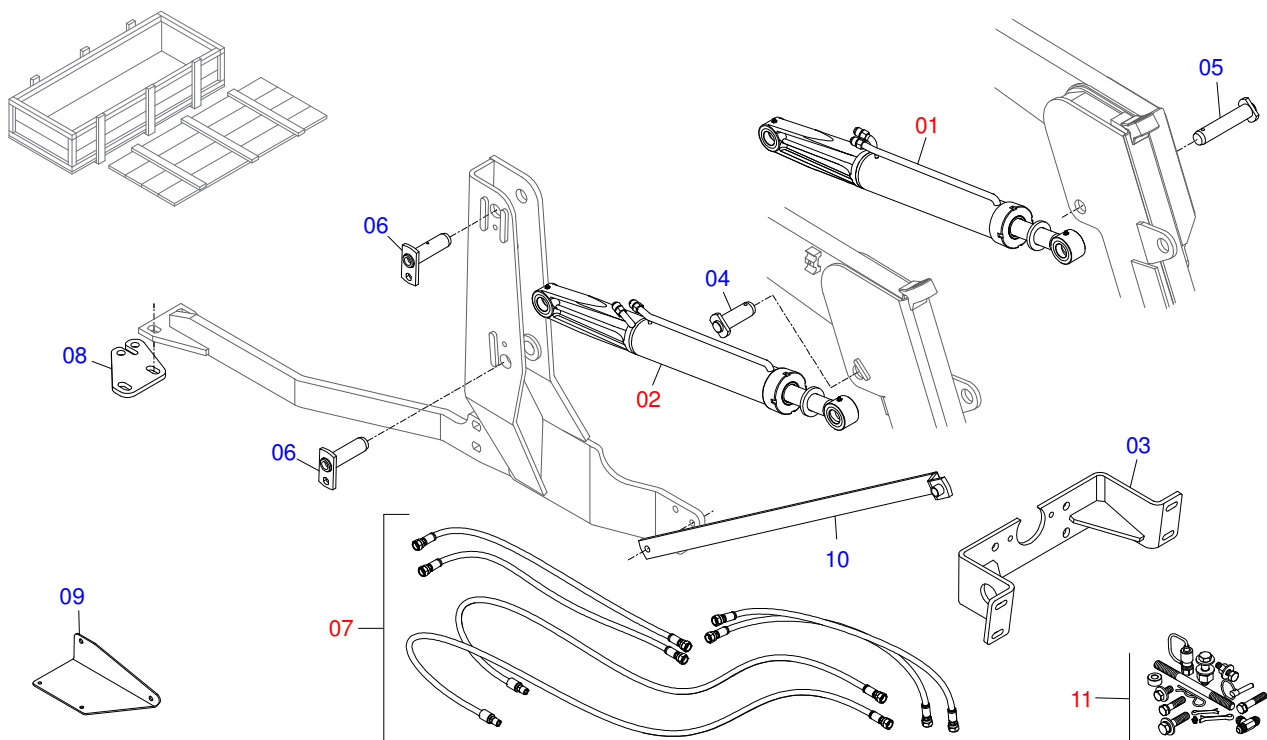
0106120061	PD JD6303/5403/5075E 3C BTSC SL GAL	1
0511049220	FULL MOVABLE STAND - PD JD 5075E S-0311	2
0521022959	BOX WITH COMPONENTS - PD JD5075E BT	3
0511049956	MOBILE SUPPORT GUIDE ASSY	4
0501059111	SET OF HOSES - PD JD 5603-4 BT SC S0309	5
0511032501	PACKAGED PARTS - PD JD5075E BTSC SL 3C S-0311	6
0501046993	HYDRAULIC CYLINDER	7
0501046992	HYDRAULIC CYLINDER	8
0501053834	QUICK CONECTION (MALE) 1/2	9



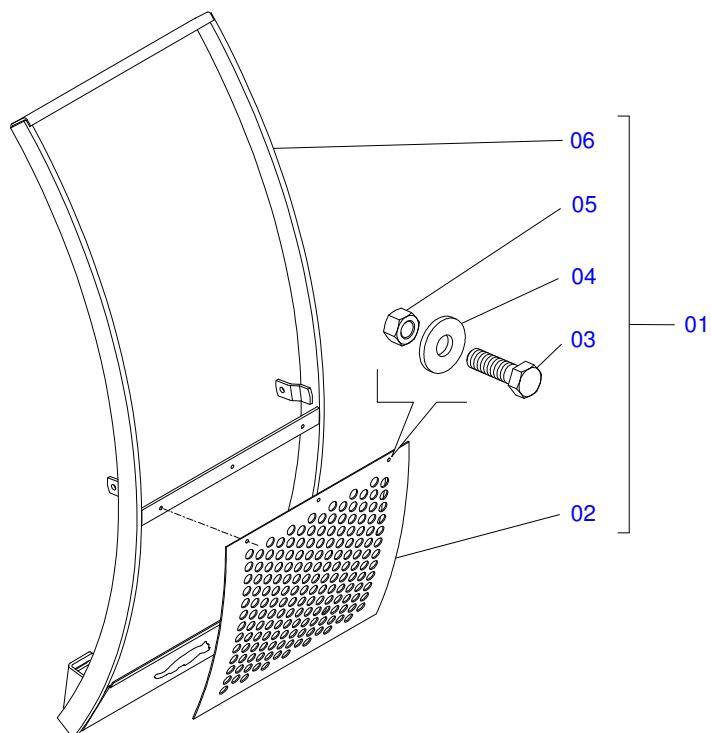
Item	Code	Description	QT
001	0521062079	RIGHT CHASSIS - PD JD 5075E BT SC S-0311	01
002	0521062080	LEFT CHASSIS - PD JD 5075E BT SC S-0311	01
003	0511049220	FULL MOVABLE STAND - PD JD 5075E S-0311	01
004	0511049956	MOBILE SUPPORT GUIDE ASSY	01
005	0521022959	BOX WITH COMPONENTS - PD JD5075E BT	01



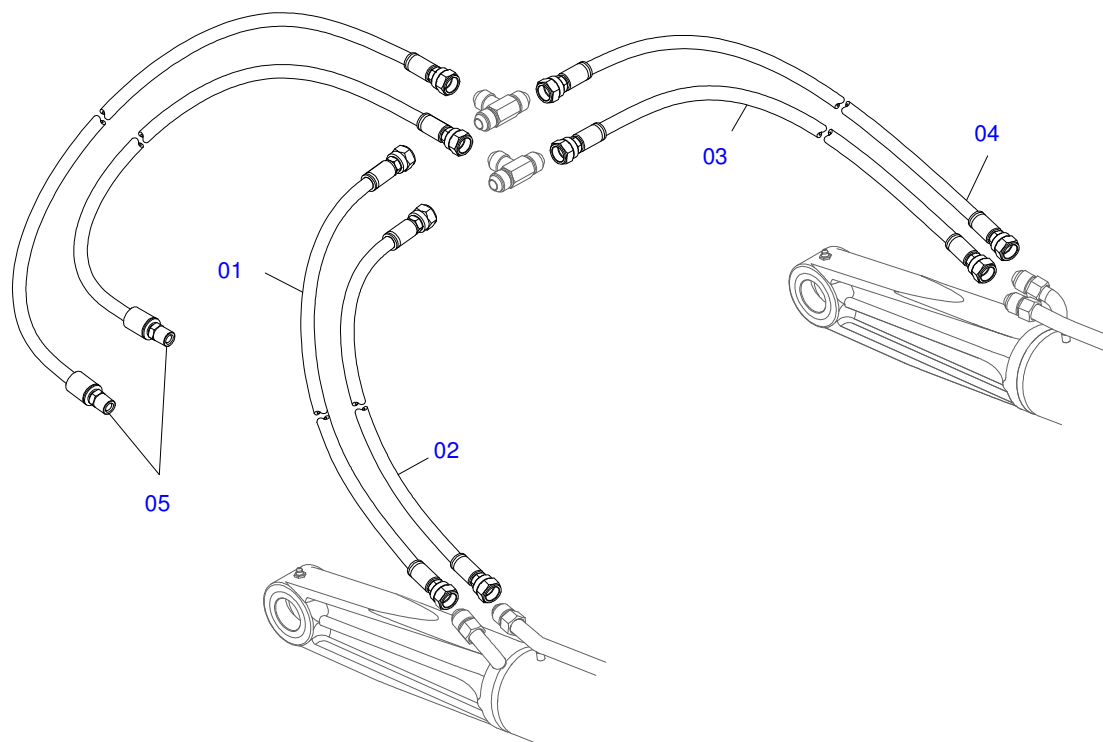
Item	Code	Description	QT
01	0501062637	5/8" REGULATOR SUPPORT	01
02	0521010618	1.4" X 8.6" COUPLING SHAFT	01
03	0521010612	1.4" X 3.5" COUPLING SHAFT	01
04	0503010010	1/4" X 2.1/2" COTTERPIN	02
05	0521062943	MOBILE SUPPORT - PD JD 5075 S-1111	01



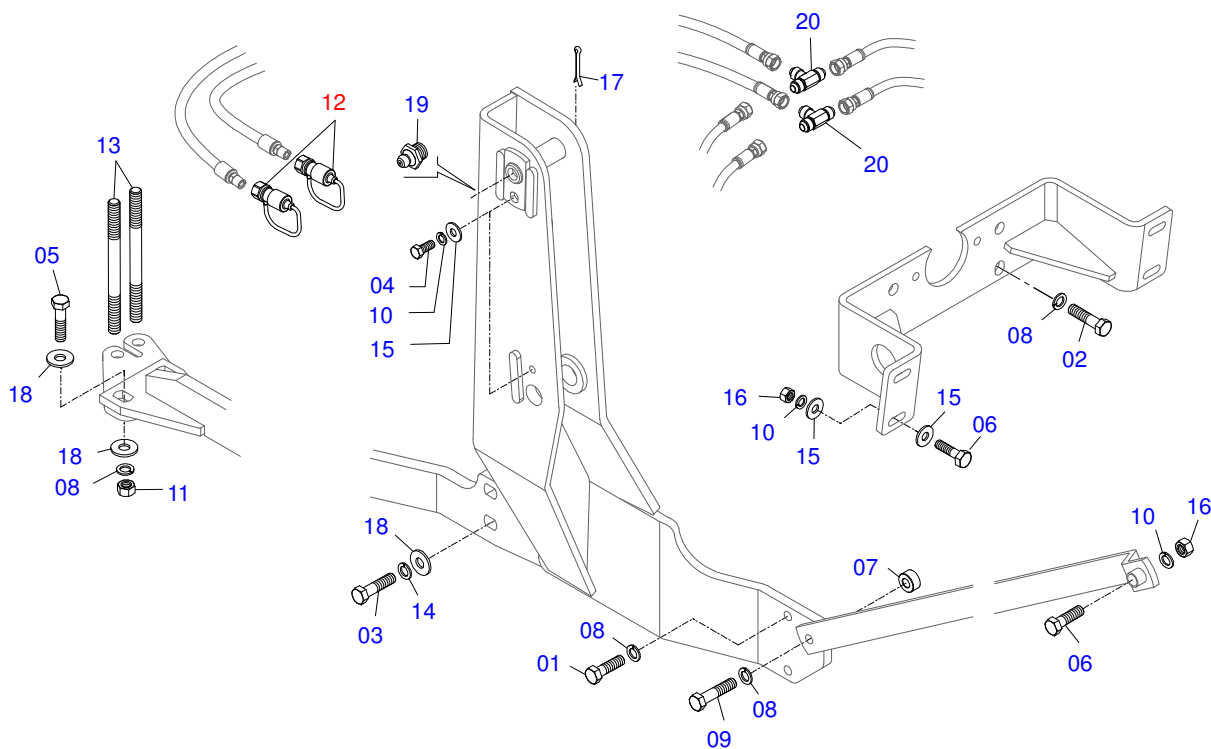
Item	Code	Description	QT
01	0501046992	HYDRAULIC CYLINDER	01
02	0501046993	HYDRAULIC CYLINDER	01
03	0521060774	PUMP MOUNTING BRACKET - PD JD 5603-4	01
04	0521063354	COUPLING SHAFT	01
05	0521063358	37,20 X 161 JOINT AXIS - PD VTR A950	01
06	0501063751	1.5" X 5.5" PIVOT SHAFT	04
07	0501059111	SET OF HOSES - PD JD 5603-4 BT SC S0309	01
08	0561017651	DIFFERENTIAL SHOE	02
09	0561017650	TOOL BOX HOLDER - JD 5075 E	01
10	0521063439	GRAB BAR WITH GLOVE - PD JD5075	02
11	0511032501	PACKAGED PARTS - PD JD5075E BTSC SL 3C	01



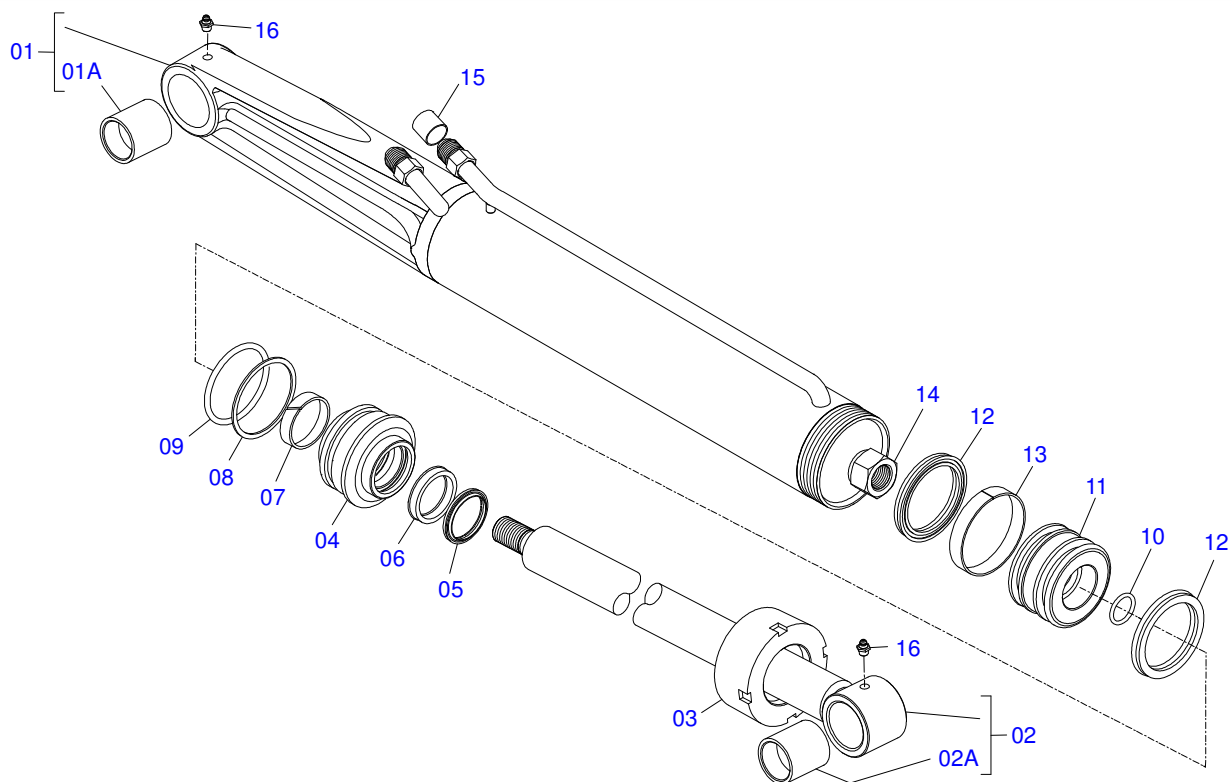
Item	Code	Description	QT
01	0511049956	MOBILE SUPPORT GUIDE ASSY	01
02	0501017431	FRONT PROTECTION	01
03	0503010751	C3/8" X 1.1/4" HEX BOLT G.5	03
04	0501010984	FLAT WASHER	03
05	0503010026	3/8" NUT	03
06	0521062696	GUIDE SUPPORT MOBILE	01



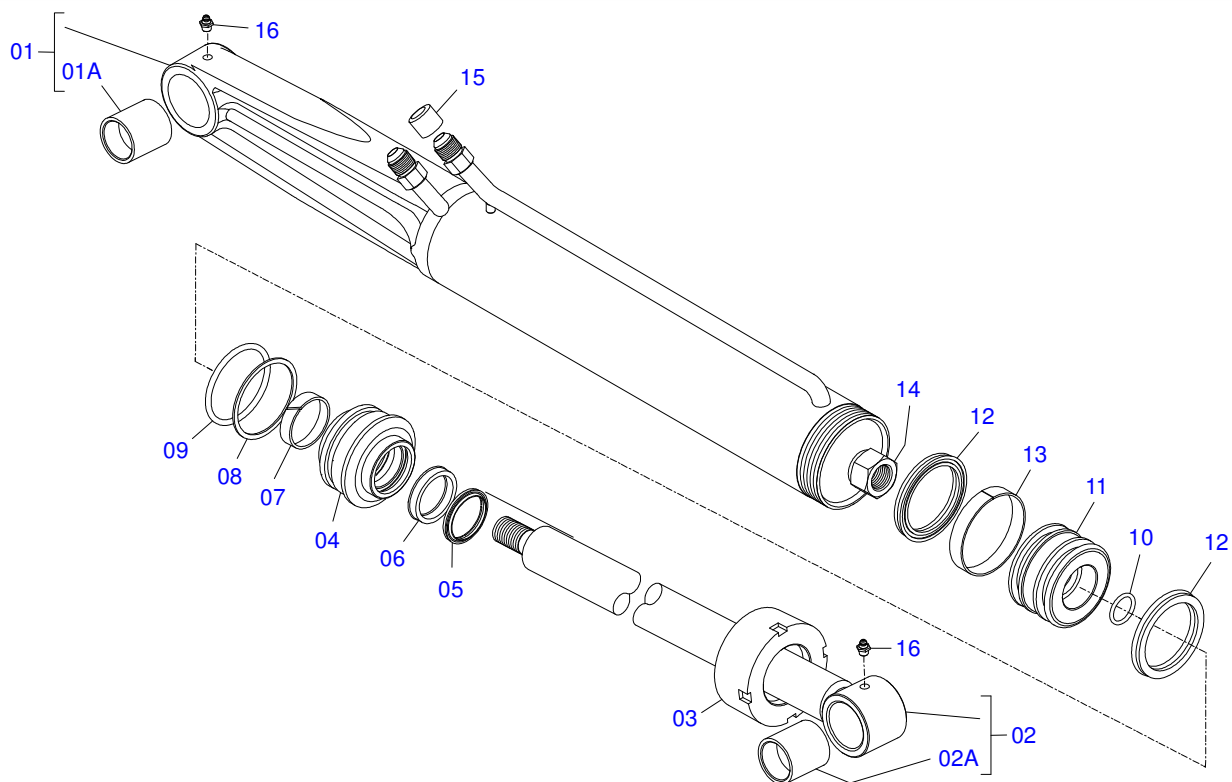
Item	Code	Description	QT
01	0501080020	1/2" X 850 TR-TR HOSE	01
02	0501080172	1/2 X 1250 HOSE TR-TR	01
03	0501080135	HOSE 1/2 X 1800 TR-TR	01
04	0501080102	1/2" X 2200 TR-TR HOSE	01
05	0501080245	1/2 X 2800 HOSE TR-TM	02



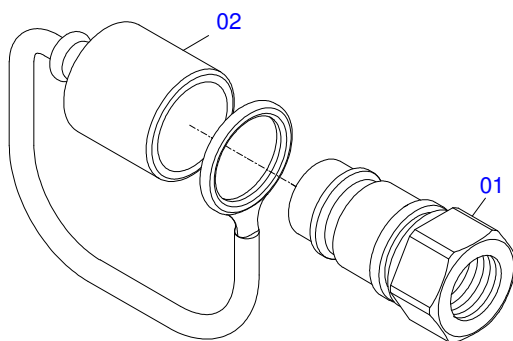
Item	Code	Description	QT
01	0503011188	M16 X 2 X 50 BOLT	04
02	0503012573	M16 X 2 X 65 BOLT	04
03	0503013104	M20 X 2,5 X 80 BOLT	08
04	0503011267	5/8" X 1.1/2" BOLT	04
05	0501010500	3/4"X3"BOLT	04
06	0501010100	5/8 UNC X 2 C S G.5 BOLT	06
07	0531016799	SLEEVE 34,93 X 16,50 X 20	02
08	0503010023	SPRING WASHER	20
09	0551017181	M16 X 2 X 80 SCREW CA	02
10	0503010027	SPRING WASHER	10
11	0503010014	3/4" NUT	04
12	0501053834	QUICK CONECTION (MALE) 1/2	02
13	0561017654	M20 X 2.5 X 270 THREADED ROD ZN	04
14	0503010408	7/8" SPRING WASHER	08
15	0501012140	FLAT WASHER	12
16	0503010013	5/8" NUT	06
17	0503010534	3/8 X 2-1/2 COTTERPIN	02
18	0501010322	FLAT WASHER	16
19	0503010002	1800 GREASE FITTING	04
20	0503013493	T CONNECTION MALE	



Item	Code	Description	QT
01	0501068207	LEFT 85,72 X 855 CYLINDER CASE	01
01A	0521010514	38,1 X 52,9 X 50 SLEEVE INTER	01
02	0501068208	44,45 X 670 TURNBUCKLE	01
02A	0521010514	38,1 X 52,9 X 50 SLEEVE INTER	01
03	0502010993	DETACHABLE COVER	01
04	0502010781	RING SUPPORT	01
05	0503010761	D-1750 SCRAPER RING	01
06	0503010990	GASKET	01
07	0503010949	W2-2000-500 PK RING G.E	01
08	0503011060	8-336 BACK-UP RING	01
09	0503010976	2-336 N 3006-9B O'RING	01
10	0503010042	2-214 N 3006-9B O'RING	01
11	0502010843	1.8" X 3.4" PISTON	01
12	0503010170	PACKING 3120 2750	02
13	0503010948	W4-3346-590 PK RING G.E	01
14	0503010063	1" SELF-ALIGNING NUT	01
15	0503030387	PLUG	02
16	0503010002	1800 GREASE FITTING	02



Item	Code	Description	QT
01	0501068206	RIGHT 85,72 X 855 CYLINDER CASE	01
01A	0521010514	38,1 X 52,9 X 50 SLEEVE INTER	01
02	0501068208	44,45 X 670 TURNBUCKLE	01
02A	0521010514	38,1 X 52,9 X 50 SLEEVE INTER	01
03	0502010993	DETACHABLE COVER	01
04	0502010781	RING SUPPORT	01
05	0503010761	D-1750 SCRAPER RING	01
06	0503010990	GASKET	01
07	0503010949	W2-2000-500 PK RING G.E	01
08	0503011060	8-336 BACK-UP RING	01
09	0503010976	2-336 N 3006-9B O'RING	01
10	0503010042	2-214 N 3006-9B O'RING	01
11	0502010843	1.8" X 3.4" PISTON	01
12	0503010170	PACKING 3120 2750	02
13	0503010948	W4-3346-590 PK RING G.E	01
14	0503010063	1" SELF-ALIGNING NUT	01
15	0503030387	PLUG	02
16	0503010002	1800 GREASE FITTING	02



Item	Code	Description	QT
01	0503011627	QUICK CONNECTION (MALE) AGR 1/2 NPT	01
02	0503011882	QUICK CONNECTION COVER	01



MARCHESAN IMPLEMENTOS E MÁQUINAS AGRÍCOLAS TATU S.A.

AV. Marchesan, 1979 - Post office box, 131 - CEP 15994-900 - Matão - SP - Brazil

Phone +55 16.3382-8282

(FAX Parts) + 55 16.3382. 8297 - (Export) + 55 16.3382.1003

e.mail: tatu@marchesan.com.br www.marchesan.com.br

Technical Publications: Elaboration

JOÃO VIRGINIO ROCHA

Technical Publications: Revision

JOÃO VIRGINIO ROCHA

Contact Catálogo:

E-mail = jgaspari@marchesan.com.br

**ORIGINAL PARTS
TATU**

