

PARTS CATALOGUE



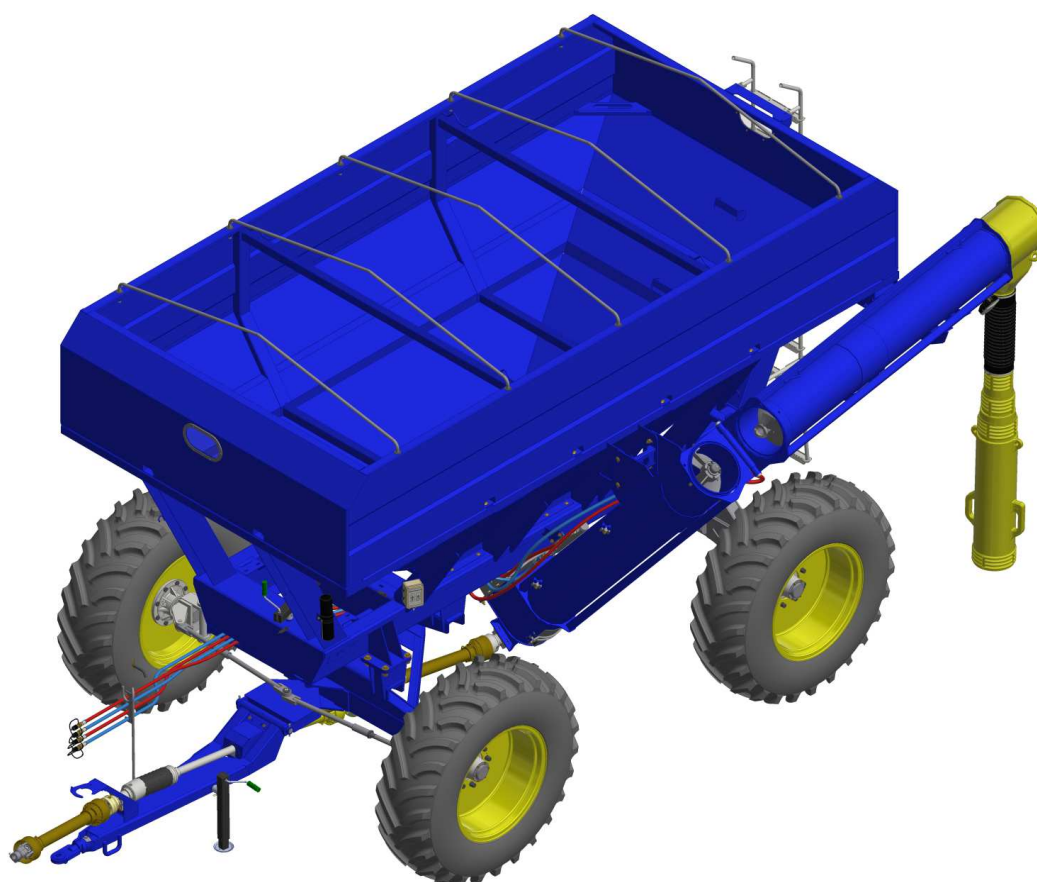
TRANSHIPMENT

Code:

0501092035

Product:

TCA 16000



Series:

S-0312

Revision:

01

Date Revision:

OUTUBRO/2017



PRODUCTS

Code	Description
0115010037	TCA 16000 S-0312
0115010035	TCA 16000 C/ARO S/PN S-0312
0115010052	TCA 16000 EMB ELETR S-0312
0115010054	TCA 16000 EMB ELETR C/ARO S/PN S312
0115010053	TCA 16000 EMB ELETR S/ARO S/PN S312

ATTENTION: IMPORTANT

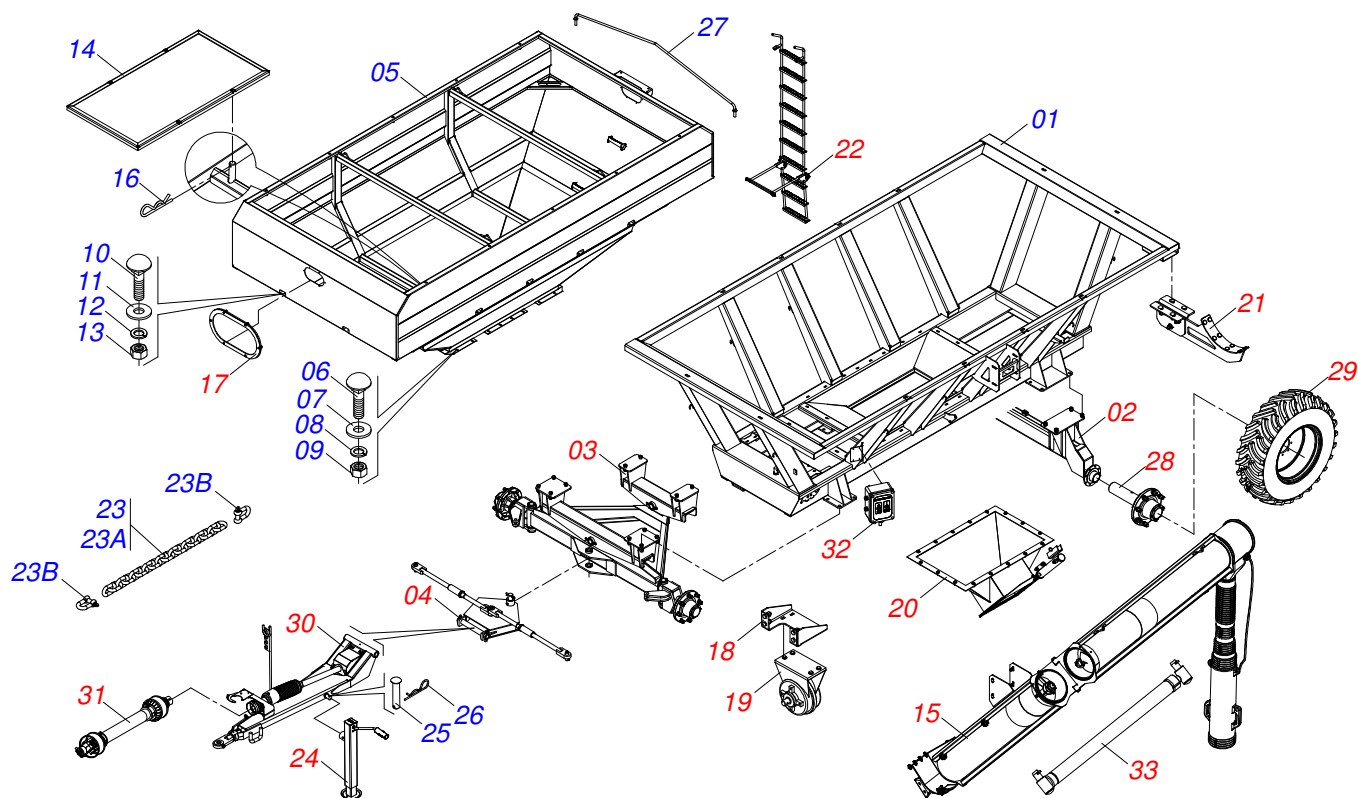
Marchesan S.A. reserves the right to improve and / or modify the technical features of its products, without obligation to do the same with those products already sold and without prior knowledge of the dealer or the consumer.



MARCHESAN

INDEX

0909093592	FRAME ASSY	1
0521040817	REAR CARRYING-WHEELS	2
0521040819	FRONT CARRYING-WHEELS	3
0501056192	RIGHT CARRYING-WHEELS ASSY	4
0501056193	LEFT CARRYING-WHEELS ASSY	5
0521040815	DRAWBAR	6
0521040814	DRAWBAR TURNBUCKLE	7
0511051852	DISPLAY	8
0511052891	SUPPORT	9
0511052892	CLUTCH	10
0511051855	SPOUT ASSY	11
0503032412	15,87 X 25,4 X 380 HYDRAULIC CYLINDER	12
0511058718	CONDUCTOR PLOUGH SUPPORT ASSY	13
0511058717	ASSY LADDER	14
0503062157	HEADER JACK	15
0501057470	BRAKE ENSEMBLE	(OPTIONAL)	16
0511047291	BRAKE CYLINDER	(OPTIONAL)	17
0501056194	REAR CARRYING-WHEELS ASSY	18
0521051891	REAR CARRYING-WHEELS ASSY	(OPTIONAL)	19
0503061051	WHEEL AND TIRE ASSY 18.4 X 30	(OPTIONAL)	20
0511052890	HEADER FULL TRACTOR HITCH	21
0511052893	HEADER FULL TRACTOR HITCH	22
0511051854	HEADER HITCH	23
0501053494	TRACTOR HITCH ASSY	24
0501056884	FIXER CARDAN SHAFT	25
0521040837	UNIVERSAL JOINT WITH SHAFT	26
0521041266	UNIVERSAL JOINT WITH SHAFT	27
0511041213	AGRICULTURAL BEARING	28
0501040257	3/4 X 1200 HOSE HOLDER A	29
0511050253	CARDAN TRANSMISSION HUB	30
0909093598	TRANSMISSION OF CARDAN WITH CLUTCH	(OPTIONAL)	31
0909093604	CARDAN TRANSMISSION WITHOUT CLUTCH	32
0511043330	DRIVE SHAFT	33
0501048241	DRIVE SHAFT	34
0521040821	TRANSMISSION BOX	35
0909093596	ASSY CONDUCTOR	36
0511051849	LOWER CONDUTOR ASSY	37
0511051857	SLUICE VALVE ASSY	38
0501057635	CONDUCTOR LOWER HUB	39
0511051848	UPPER CONDUCTOR ASSY	40
0501057633	SUPPORT HUB	41
0501056252	DISCHARGE SOCKET	(OPTIONAL)	42
0511052760	BOCAL OUT OF CEREALS WITH COVERING	43
0909093599	ELECTRIC SCHEME	44
0909093597	HYDRAULIC CIRCUIT	45
0501056460	HYDRAULIC CYLINDER	46
0503032411	HYDRAULIC CYLINDER	47
0501053834	MALE QUICK COUPLER WITH CAP - 1/2 NPT	48



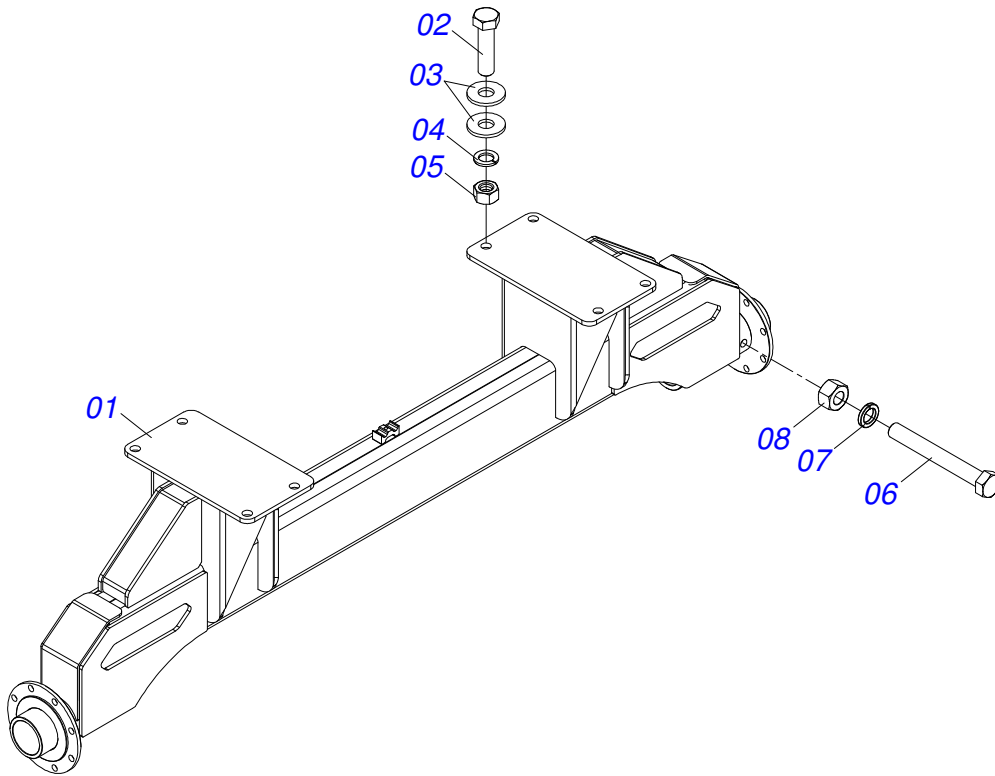
Item	Code	Description	See page	QT
01	0521063113	FRAME		01
02	0521040817	REAR CARRYING-WHEELS	2	01
03	0521040819	FRONT CARRYING-WHEELS	3	01
04	0521040815	DRAWBAR	6	01
05	0521063114	BEAN TCA 16000		01
06	0501010243	1/2" X 1-1/2" BOLT		24
07	0511017302	FLAT WASHER		24
08	0503010019	1/2" SPRING WASHER		24
09	0503012682	1/2" BSW NUT		24
10	0503013438	3/4 UNC X 1.3/4 C A P Q G.2 BOLT		12
11	0501010322	FLAT WASHER		12
12	0503010023	3/4" SPRING WASHER		12
13	0503010014	3/4" NUT		12
14	0521063105	SCREEN TCA 16000		01
15	0909093596	ASSY CONDUCTOR	36	01
16	0503030012	HAIR PIN		14
17	0511051852	DISPLAY	8	02
18	0511052891	SUPPORT	9	01
19	0511052892	CLUTCH	10	01
20	0511051855	SPOUT ASSY	11	01
21	0511058718	CONDUCTOR PLOUGH SUPPORT ASSY	13	01
22	0511058717	ASSY LADDER	14	01
23	0511059041	CURRENT SECURITY		01
23A	0503014120	CHAIN		01
23B	0503014321	CABLE STEEL SHACKLE		02
24	0503062157	HEADER JACK	15	01
25	0521010549	COUPLING SHAFT		01
26	0503030168	HAIR PIN		01
27	0521063106	GUARD BRACKET		05
28	0501056194	REAR CARRYING-WHEELS ASSY	18	02
28.	0521051891	REAR CARRYING-WHEELS ASSY	19	02



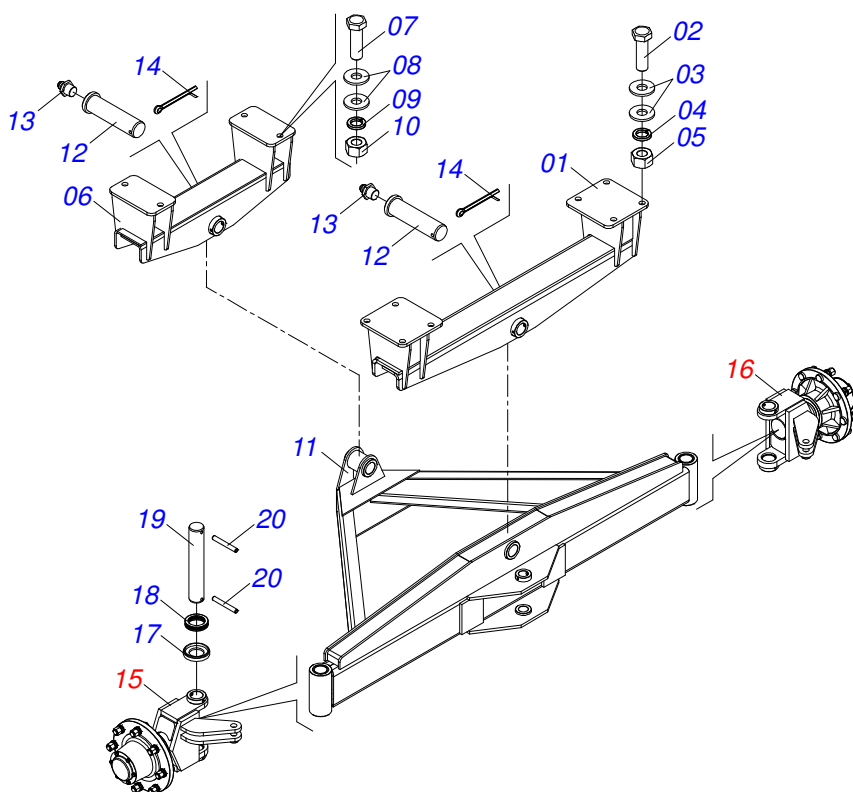
TCA 16000
FRAME ASSY

Page 1
0909093592

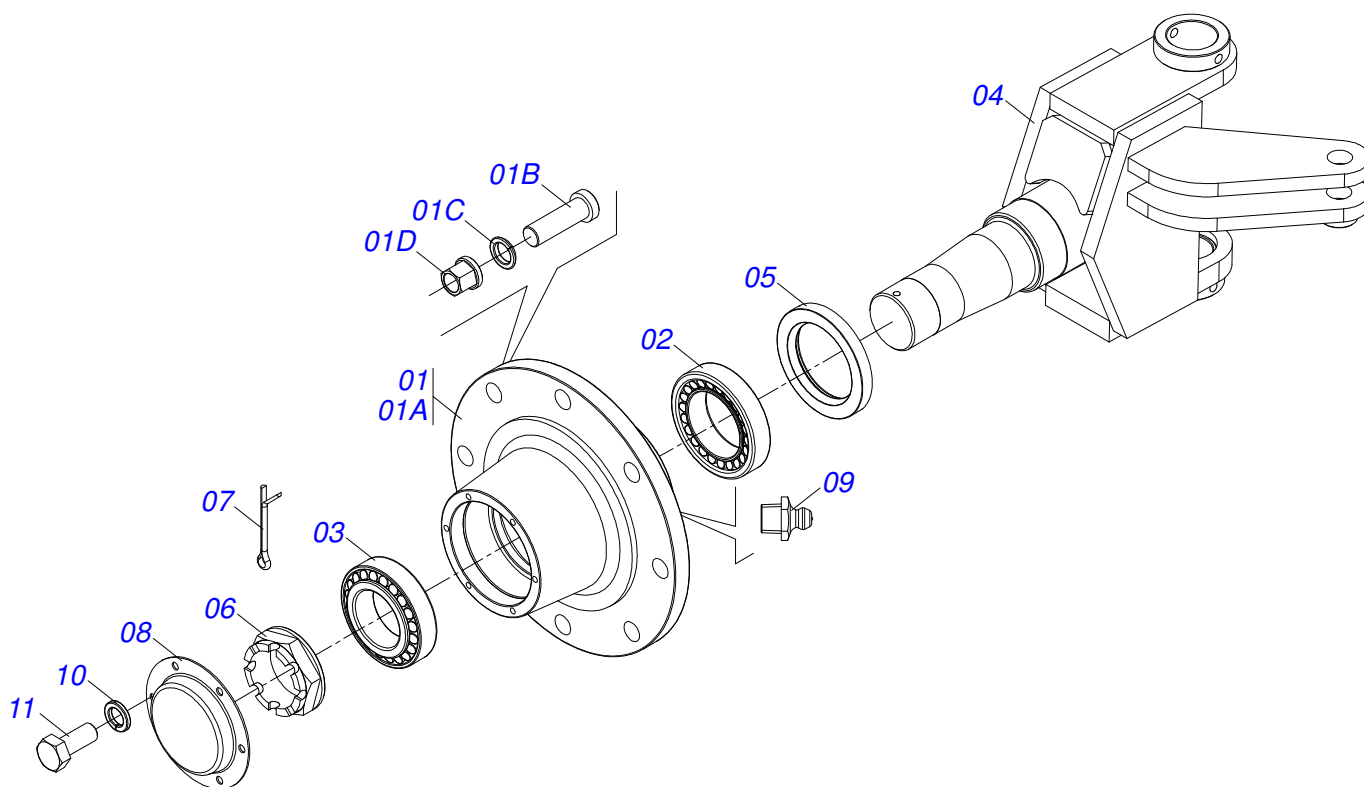
Item	Code	Description	See page	QT
29	0503061051	WHEEL AND TIRE ASSY 18.4 X 30	20	04
30	0511052893	HEADER FULL TRACTOR HITCH	22	01
30.	0511052890	HEADER FULL TRACTOR HITCH	21	01
31	0909093598	TRANSMISSION OF CARDAN WITH CLUTCH	31	01
31.	0909093604	CARDAN TRANSMISSION WITHOUT CLUTCH	32	01
32	0909093599	ELECTRIC SCHEME	44	01
33	0909093597	HYDRAULIC CIRCUIT	45	01



Item	Code	Description	See page	QT
01	0521063110	WHEEL AXLE		01
02	0501018059	3/4" X 2-1/4" BOLT		08
03	0501010322	FLAT WASHER		16
04	0503010023	3/4" SPRING WASHER		08
05	0503010014	3/4" NUT		08
06	0503011198	C3/4" X 6" SCREW		02
07	0503010023	3/4" SPRING WASHER		02
08	0503010014	3/4" NUT		02

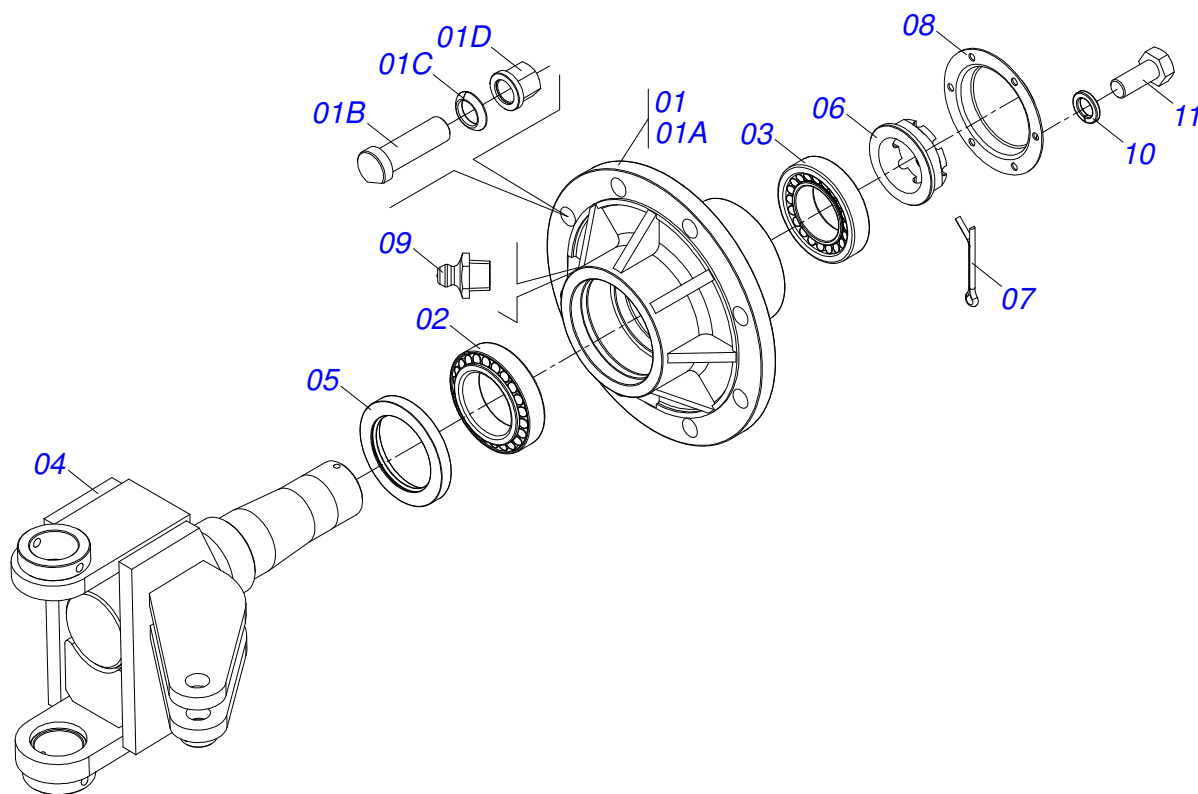


Item	Code	Description	See page	QT
01	0511066424	UPPER ROCKER ARM		01
02	0501010125	3/4" X 2-1/2" BOLT		08
03	0501010322	FLAT WASHER		16
04	0503010023	3/4" SPRING WASHER		08
05	0503010014	3/4" NUT		08
06	0511066425	STABILIZER ROCKER ARM		01
07	0501010125	3/4" X 2-1/2" BOLT		04
08	0501010322	FLAT WASHER		08
09	0503010023	3/4" SPRING WASHER		04
10	0503010014	3/4" NUT		04
11	0521063109	LOWER ROCKER ARM		01
12	0541016105	PLUGER 50,8MM X 183MM		02
13	0503010002	1800 GREASE FITTING		02
14	0503010074	3/8 X 0,15" COTTERPIN		02
15	0501056192	RIGHT CARRYING-WHEELS ASSY	4	01
16	0501056193	LEFT CARRYING-WHEELS ASSY	5	01
17	0541016129	ROLLER BEARING HOLDER		02
18	0503012822	51111 ROLLER BEARING		02
19	0541016130	AXLE		02
20	0503012553	10MM X 80MM SPRING PIN		04

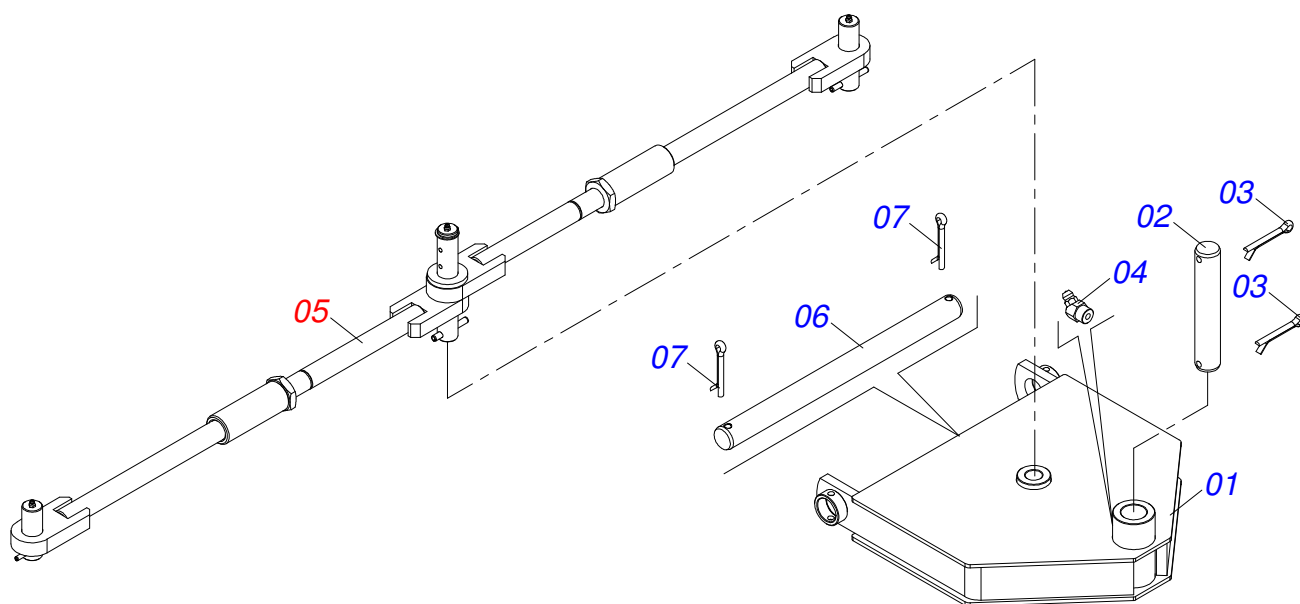


Item	Code	Description	See page	QT
01	0501110735	HUB CARRYING WHEELS WITH BOLT		01
01A	0502011229	CARRYING WHEEL HUB		01
01B	0503011339	M22 X 1,5 X 72 BOLT		08
01C	0503011340	SPHERICAL SPRING WASHER		08
01D	0503011341	M22 X 0.6" NUT GR8 NUT		08
02	0503010059	33287/33462 ROLLER BEARING		01
03	0503010007	3982/3920 ROLLER BEARING		01
04	0511066427	SHAFT SLEEVE RIGHT		01
05	0503010050	SEAL 00085-B		01
06	0502040080	2.1/2" SLOTTED NUT		01
07	0503011345	1/4" X 3-1/2" COTTERPIN		01
08	0541013225	WHEEL BOX COVER		01
09	0503010002	1800 GREASE FITTING		01
10	0503011444	SPRING WASHER		06
11	0503010240	5/16" X 3/4" BOLT		06

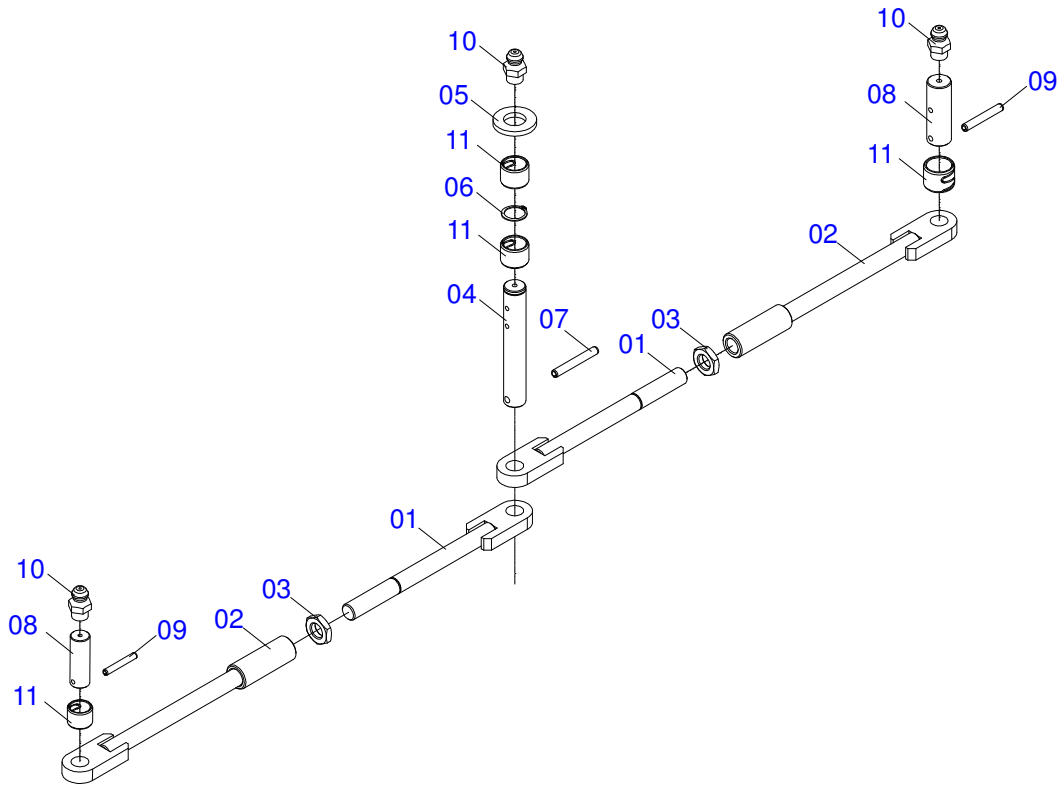
LEFT CARRYING-WHEELS ASSY



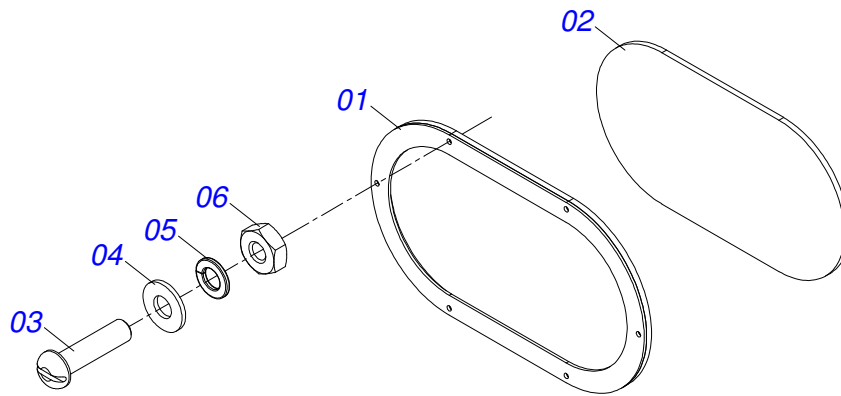
Item	Code	Description	See page	QT
01	0501110735	HUB CARRYING WHEELS WITH BOLT		01
01A	0502011229	CARRYING WHEEL HUB		01
01B	0503011339	M22 X 1,5 X 72 BOLT		08
01C	0503011340	SPHERICAL SPRING WASHER		08
01D	0503011341	M22 X 0.6" NUT GR8 NUT		08
02	0503010059	33287/33462 ROLLER BEARING		01
03	0503010007	3982/3920 ROLLER BEARING		01
04	0511066429	LEFT AXLE SLEEVE		01
05	0503010050	SEAL 00085-B		01
06	0502040080	2.1/2" SLOTTED NUT		01
07	0503011345	1/4" X 3-1/2" COTTERPIN		01
08	0541013225	WHEEL BOX COVER		01
09	0503010002	1800 GREASE FITTING		01
10	0503011444	SPRING WASHER		06
11	0503010240	5/16" X 3/4" BOLT		06



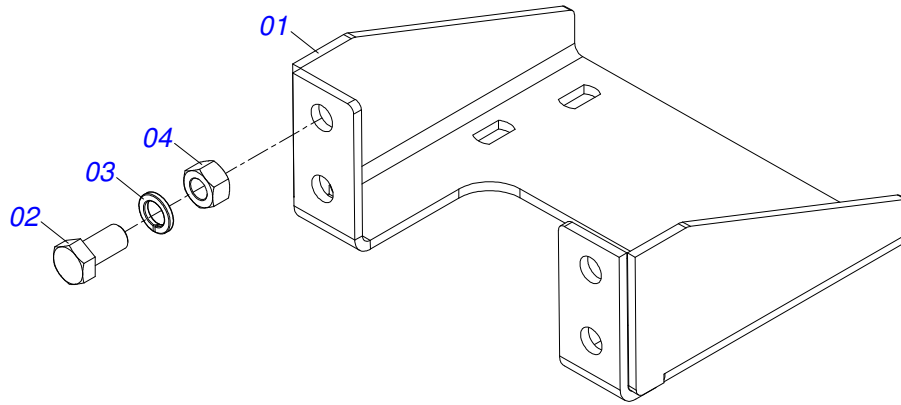
Item	Code	Description	See page	QT
001	0521063108	DRAWBAR PIVOT		01
002	0541016149	38,10MM X 216MM AXLE		01
003	0503012213	1/4" COTTERPIN		02
004	0503010003	1845 GREASE FITTING		01
005	0521040814	DRAWBAR TURNBUCKLE	7	01
006	0571011303	38,10 X 476 TCA 16000 AXLE		01
007	0503010073	3/8 X 3-1/2 COTTERPIN		02



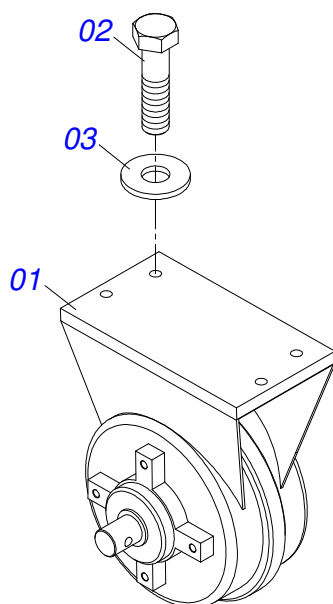
Item	Code	Description	See page	QT
01	0511066503	TURNBUCKLE SMALLER DRAWBAR		02
02	0521063104	DRAWBAR LARGER TURNBUCKLE		02
03	0501019927	COUNTERNUT 1.1/4 UNC		02
04	0541016141	TURNBUCKLE PIVOT SHAFT		01
05	0501016545	FLAT WASHER		01
06	0503010406	501025 CLAMPING RING (FOR AXLE)		01
07	0503011877	0.3" X 2.4" SPRING PIN		01
08	0541016132	TURNBUCKLE AXLE		02
09	0503010292	0.2" X 1.6" SPRING PIN		02
10	0503010691	1/4" GREASE FITTING		03
11	0511019921	1.3" X 0.1" X 1" SLEEVE		04



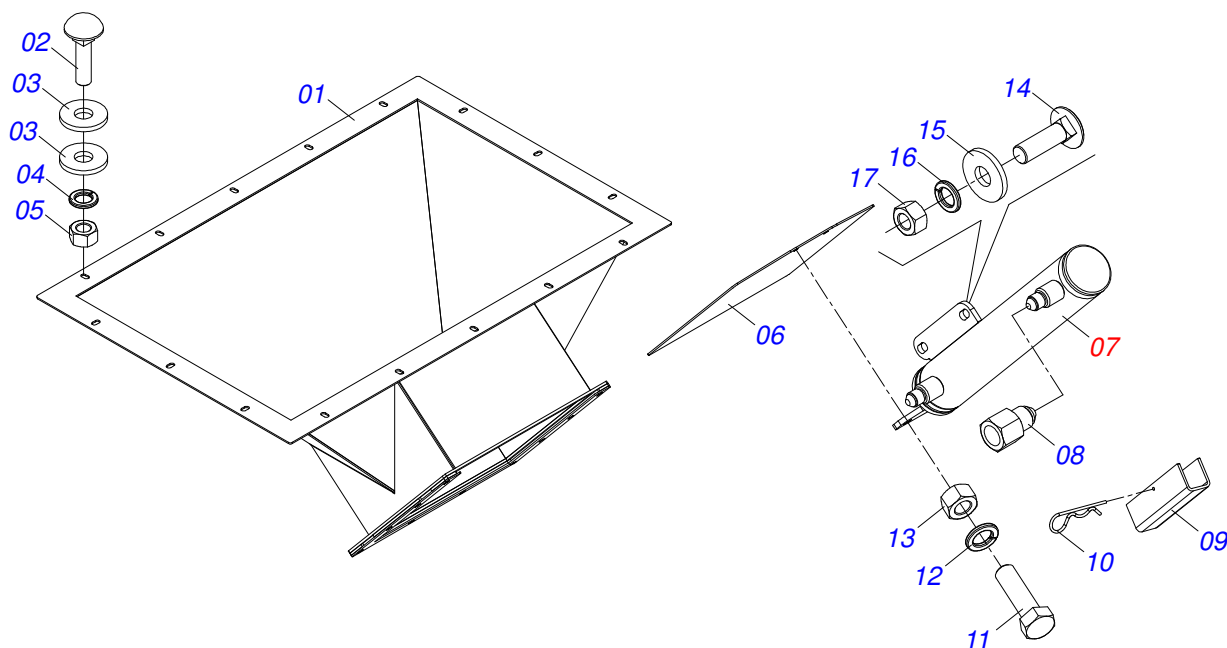
Item	Code	Description	See page	QT
001	0521063100	FRAME DISPLAY		01
002	0503033712	DISPLAY		01
003	0503010803	SCREW 3/16 UNC X 3/4 CAF G.2 ZN		06
004	0503010669	FLAT WASHER		06
005	0503010668	3/16" SPRING WASHER		06
006	0503010667	3/16" NUT		06



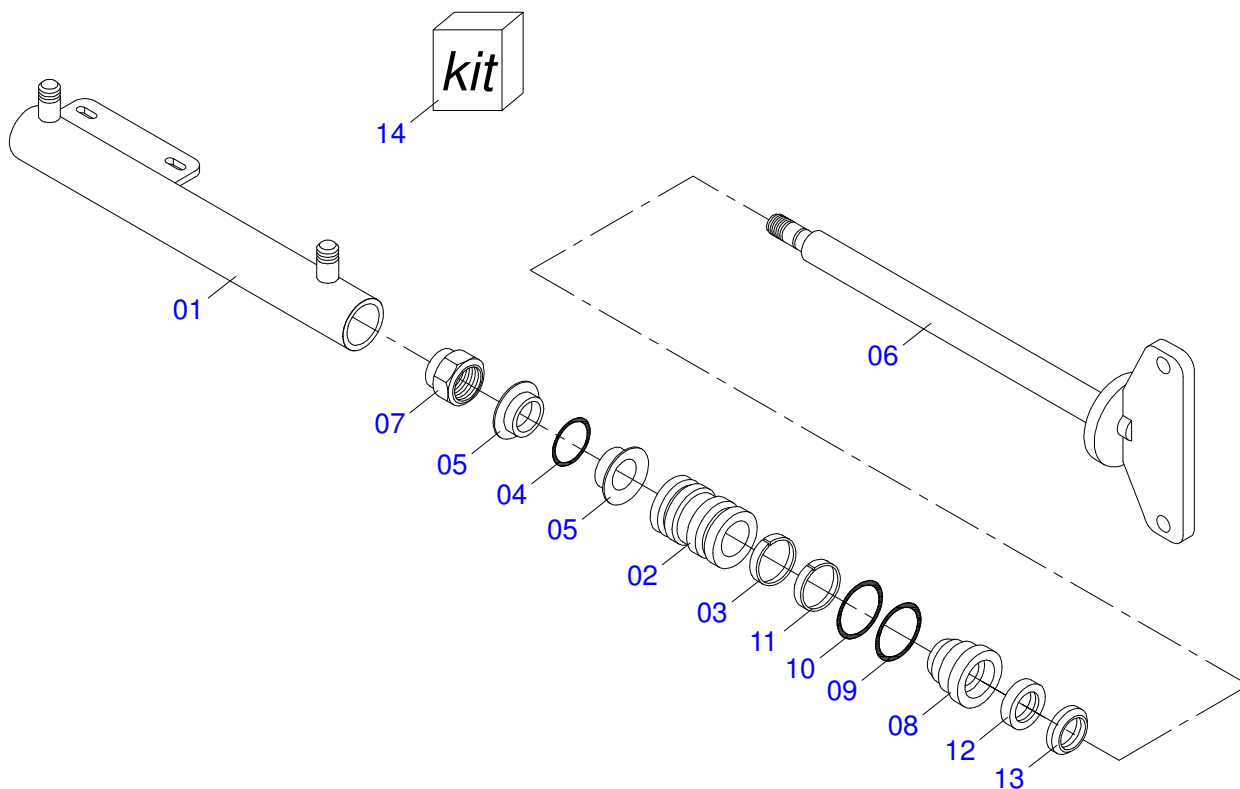
Item	Code	Description	See page	QT
001	0571012203	SUPPORT FRICÇÃO		01
002	0503010962	5/8" X 1-1/4" BOLT		04
003	0503010027	5/8" SPRING WASHER		04
004	0503010013	5/8" NUT		04



Item	Code	Description	See page	QT
01	0503016352	CLUTCH BOX		01
02	0503010428	M12 X 1,75 X30 BOLT		04
03	0511017302	FLAT WASHER		04

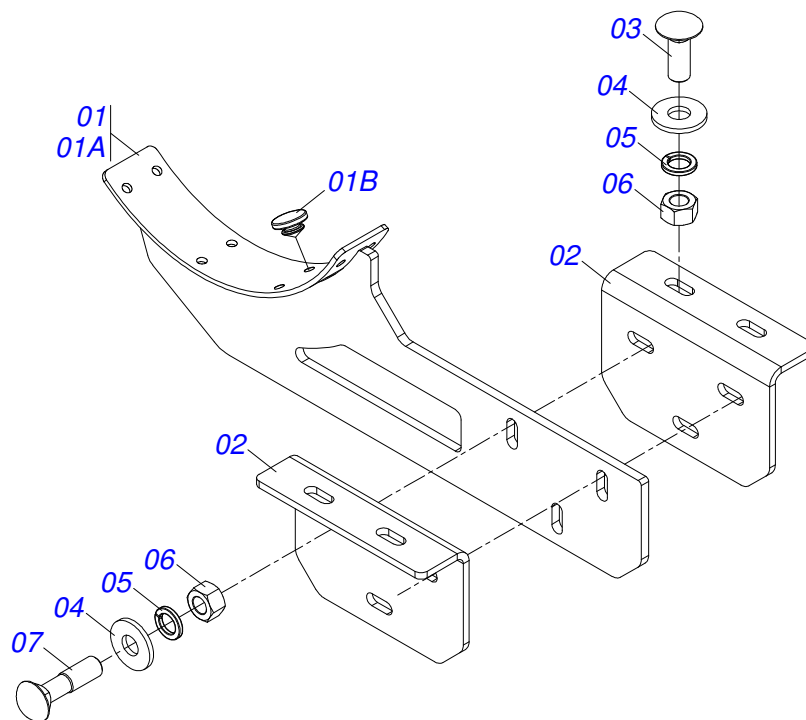


Item	Code	Description	See page	QT
001	0521063101	SPOUT ASSY		01
002	0501010942	3/8" X 1-1/4" BOLT		16
003	0501010984	FLAT WASHER		32
004	0503010025	3/8" SPRING WASHER		16
005	0503010026	3/8" NUT		16
006	0541016295	SLUICE VALVE DISCHARGE		01
007	0503032412	15,87 X 25,4 X 380 HYDRAULIC CYLINDER	12	01
008	0511018012	HIDRAULIC ADAPTER		01
009	0551019995	HIDRAULIC CILINDER LOCK		01
010	0503030012	HAIR PIN		01
011	0503010237	3/8" X 1" BOLT		02
012	0503010025	3/8" SPRING WASHER		02
013	0503010026	3/8" NUT		02
014	0501010942	3/8" X 1-1/4" BOLT		02
015	0501010984	FLAT WASHER		02
016	0503010025	3/8" SPRING WASHER		02
017	0503010026	3/8" NUT		02

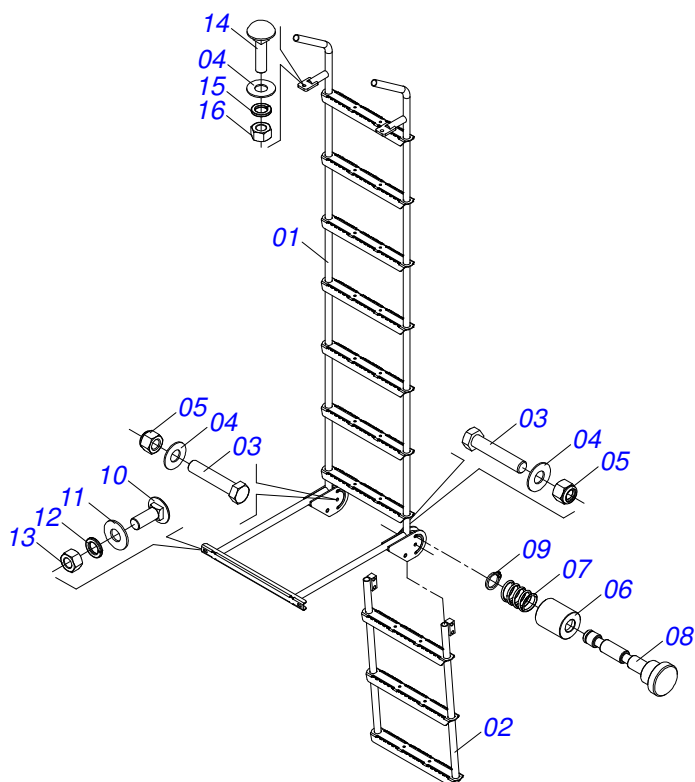


Item	Code	Description	See page	QT
01	0511069925	CYLINDER CASE		01
02	0551019990	31,75 X 50,80 X 39,40 PISTON		01
03	0503010949	W2-2000-500 PK RING G.E		01
04	0503014677	2-118 O`RING		01
05	0503013920	GASKET 1870-1625		02
06	0511069926	31,75 X 31,70 X 419 ROD		01
07	0503010812	7/8" UNF SELF LOCKING NUT		01
08	0551019988	RING SUPPORT 31,75 X 50,80 X 47		01
09	0503013918	8-224 BACK-UP RING		01
10	0503013917	O`RING 2-224		01
11	0503014683	W1-1400-500 RING GUIDE		01
12	0503013914	1870-1250-312B GASKET		01
13	0503013915	D-1250 SCRAPER RING		01
14	0501038643	ASSEMBLY		

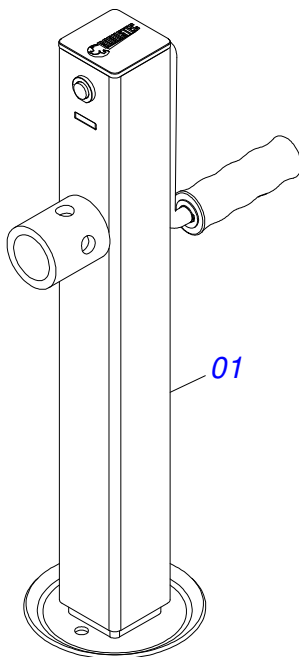
CONDUCTOR PLOUGH SUPPORT ASSY



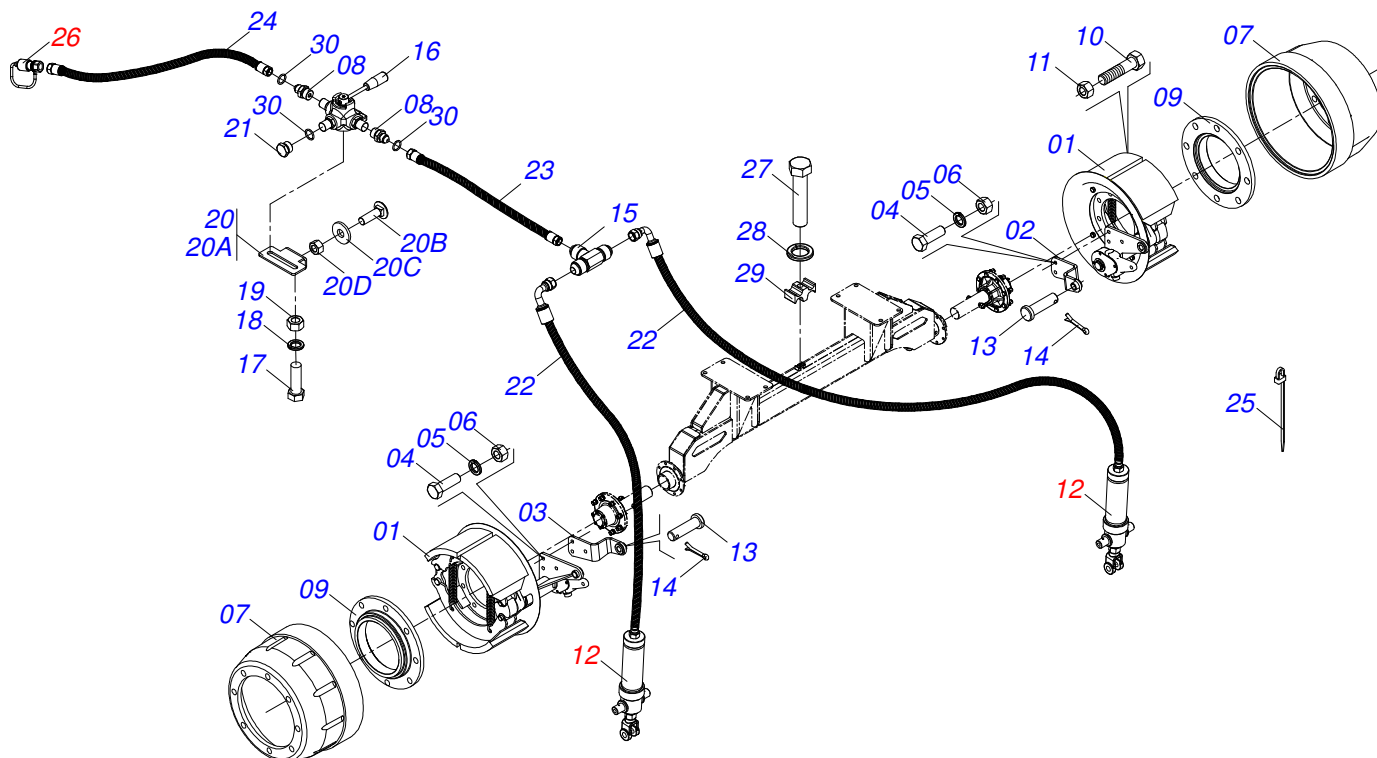
Item	Code	Description	See page	QT
01	0511058719	CONDUCTOR PLOUGH SUPPORT		01
01A	0521066766	CONDUCTOR PLOUGH		01
01B	0503032594	30 X 13 X 19 PLUG		08
02	0581011163	PLOUGH SUPPORT		02
03	0503013842	5/8" UNC X 1-3/4" BOLT		04
04	0501012140	FLAT WASHER		07
05	0503010027	5/8" SPRING WASHER		07
06	0503010013	5/8" NUT		07
07	0501014177	5/8" X 2-1/2" BOLT		03



Item	Code	Description	See page	QT
01	0521066763	LADDER		01
02	0521066336	EXTENSION		01
03	0503010734	1/2" X 2-1/2" BOLT		02
04	0501013519	FLAT WASHER		04
05	0503010589	1/2" UNC SELF ADJUSTING NUT		02
06	0571019931	GUIDE GLOVE		01
07	0503032035	0.7" X 1.2" X 1" COMPRESSION SPRING		01
08	0571019930	EXTENSION LOCK AXLE		01
09	0503010291	501012 CLAMPING RING (FOR AXLE)		01
10	0501011643	3/8 X 1" BOLT		02
11	0501013518	FLAT WASHER		02
12	0503010025	3/8" SPRING WASHER		02
13	0503010026	3/8" NUT		02
14	0503014378	1/2" X 1-1/2" BOLT		02
15	0503010019	1/2" SPRING WASHER		02
16	0503010060	1/2" NUT		02



Item	Code	Description	See page	QT
01	0503062157	HEADER JACK	15	01



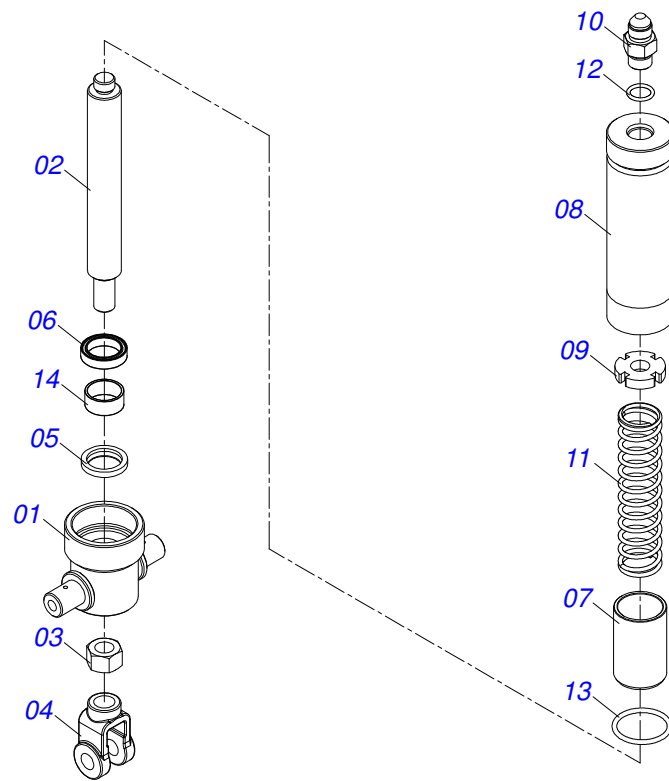
Item	Code	Description	See page	QT
01	0511068267	BRAKE WITH SUPORTE		01
02	0511068268	MOBILE RIGHT SUPPORT		01
03	0521067069	MOBILE LEFT SUPPORT		01
04	0503010920	1/2" X 1.1/2" BOLT		06
05	0503010019	1/2" SPRING WASHER		06
06	0503010060	1/2" NUT		06
07	0503014381	BRAKE DRUM		02
08	0511010111	7/8" NIPPLE		02
09	0551013773	FLANGE GUIDE BRAKE DRUM		02
10	0503010232	5/8" X 1.3/4" BOLT		16
11	0503012412	5/8 UNC SELF LOCKING NUT		16
12	0511047291	BRAKE CYLINDER	17	02
13	0551012464	JUNCTION SHAFT		02
14	0503010747	5/32" X 3/4" COTTERPIN		02
15	0503011271	3/4" UNF "T" CONNECTION T 3 SIDES		01
16	0503060069	VALVE ASSY		01
17	0503010751	C3/8" X 1.1/4" HEX BOLT G.5		02
18	0503010025	3/8" SPRING WASHER		02
19	0503010026	3/8" NUT		02
20	0511053860	VALVE SUPPORT		01
20A	0561019938	FIXATEUR		01
20B	0501010942	3/8" X 1-1/4" BOLT		01
20C	0501010984	FLAT WASHER		01
20D	0503010026	3/8" NUT		01
21	0501015337	PLUG		01
22	0501080485	3/8" X 1100 TR-TC HOSE		02
23	0501080379	TR-TR HOSE ASSY		01
24	0501080361	3/8" X 157" TR-TM HOSE		01
25	0503010267	NYLON CLAMP		05
26	0503011627	MALE QUICK COUPLER AGR 1/2 NPT		01
27	0502012702	BODY SUPPORT CLAMP		01



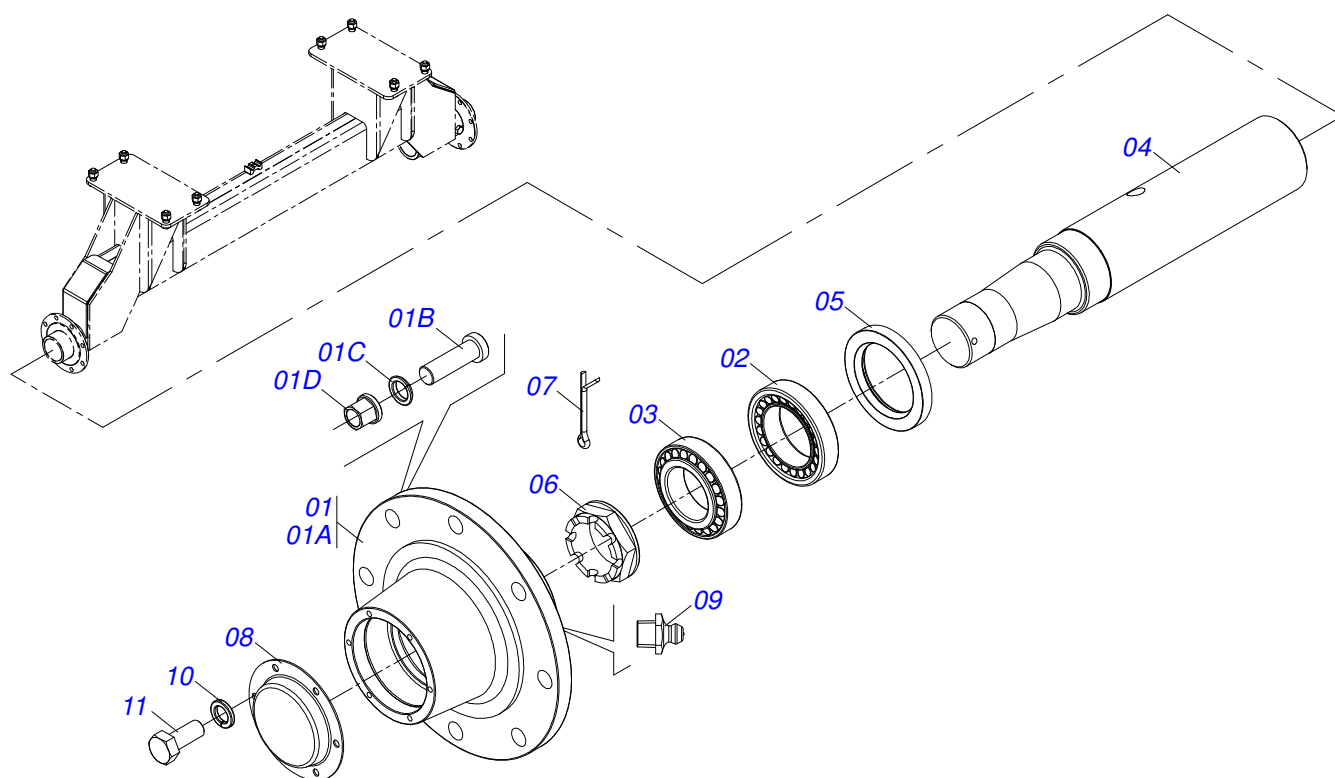
BRAKE ENSEMBLE (OPTIONAL)

0501057470

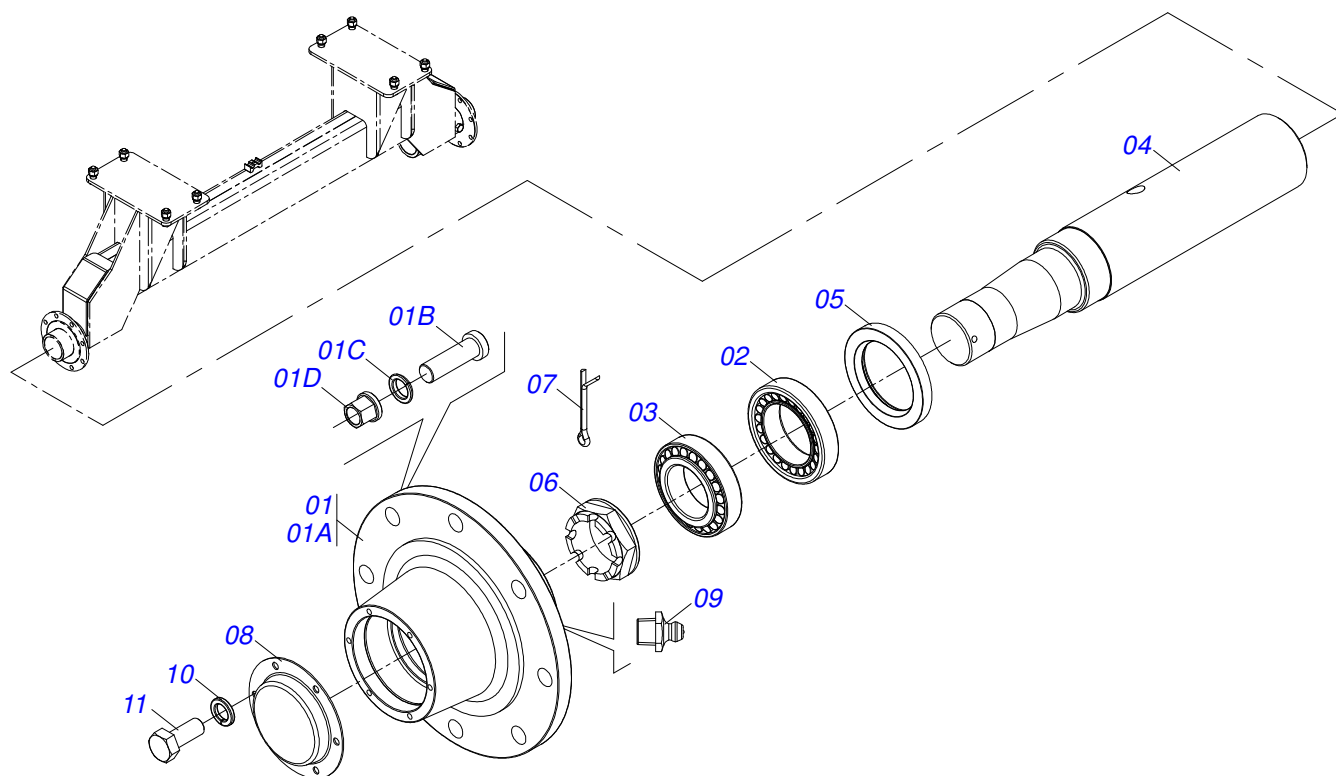
Item	Code	Description	See page	QT
28	0503012555	SCREW 7/16 UNC X 2 CS RT G.7 ZN		01
29	0503010180	7/16" SPRING WASHER		01
30	0503010045	O'RING		03



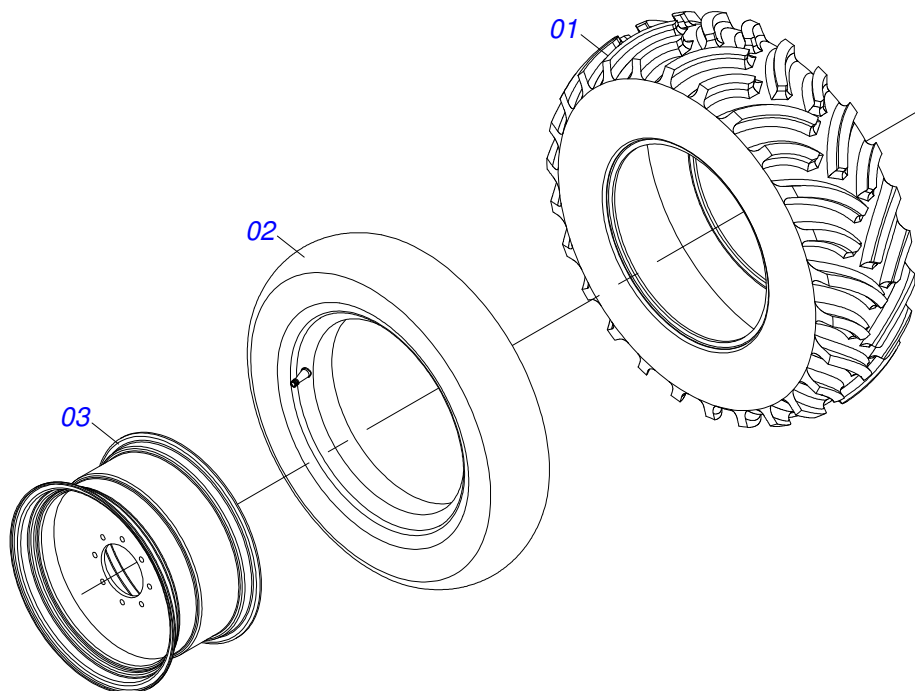
Item	Code	Description	See page	QT
01	0511069986	MOBILE COVER		01
02	0551019765	CYLINDER HEAD BODY		01
03	0503010260	M16 X 0.6" NUT		01
04	0503014233	FORK		01
05	0503014965	RING		01
06	0503014964	PISTON		01
07	0551019860	CYLINDER SUPPORT GLOVE		01
08	0511069985	BRAKE CYLINDER SHIRT		01
09	0551019764	PISTON		01
10	0501010617	3/4" NIPPLE		01
11	0503032877	SPRING		01
12	0503010190	2-114 N 3006-9B O'RING		01
13	0503010285	2-222 N 3006-9B O'RING		01
14	0503014966	RING		01



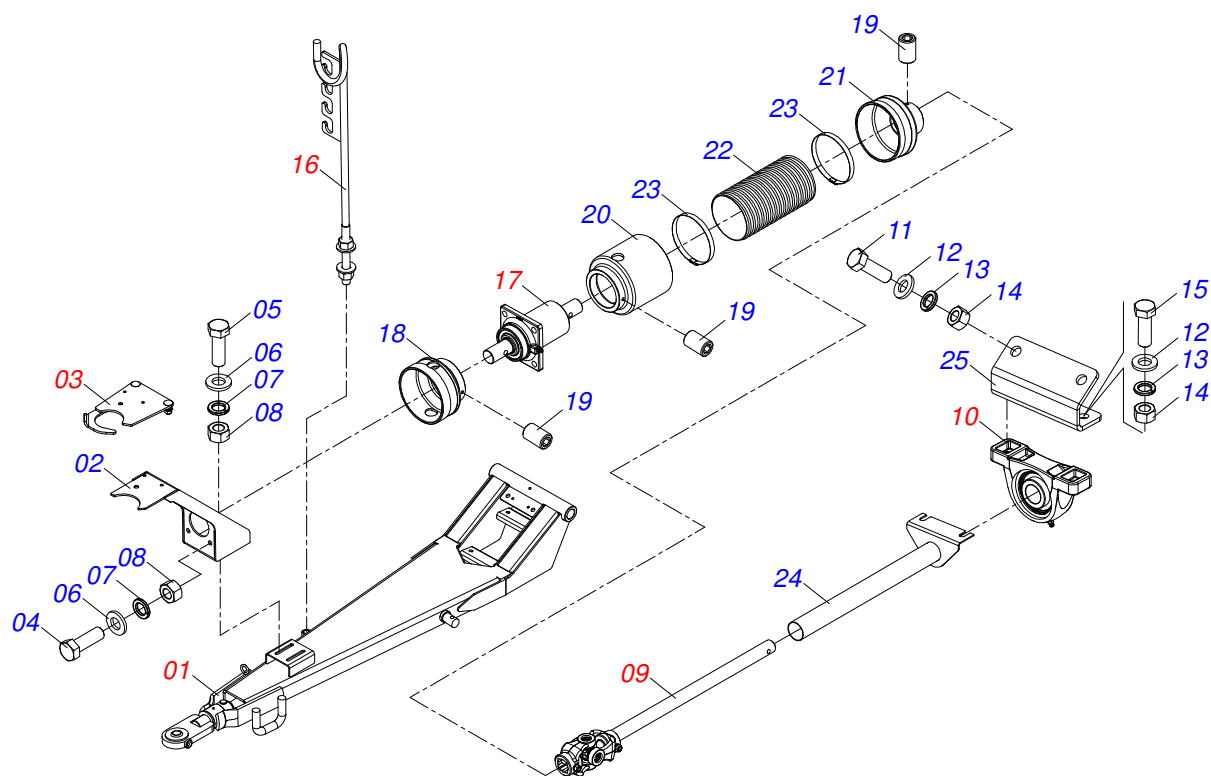
Item	Code	Description	See page	QT
01	0501110735	HUB CARRYING WHEELS WITH BOLT		01
01A	0502011229	CARRYING WHEEL HUB		01
01B	0503011339	M22 X 1,5 X 72 BOLT		08
01C	0503011340	SPHERICAL SPRING WASHER		08
01D	0503011341	M22 X 0.6" NUT GR8 NUT		08
02	0503010007	3982/3920 ROLLER BEARING		01
03	0503010059	33287/33462 ROLLER BEARING		01
04	0541016099	POINT AXIS REAR		01
05	0503010050	SEAL 00085-B		01
06	0502040080	2.1/2" SLOTTED NUT		01
07	0503011345	1/4" X 3-1/2" COTTERPIN		01
08	0541013225	WHEEL BOX COVER		01
09	0503010002	1800 GREASE FITTING		01
10	0503011444	SPRING WASHER		06
11	0503010240	5/16" X 3/4" BOLT		06



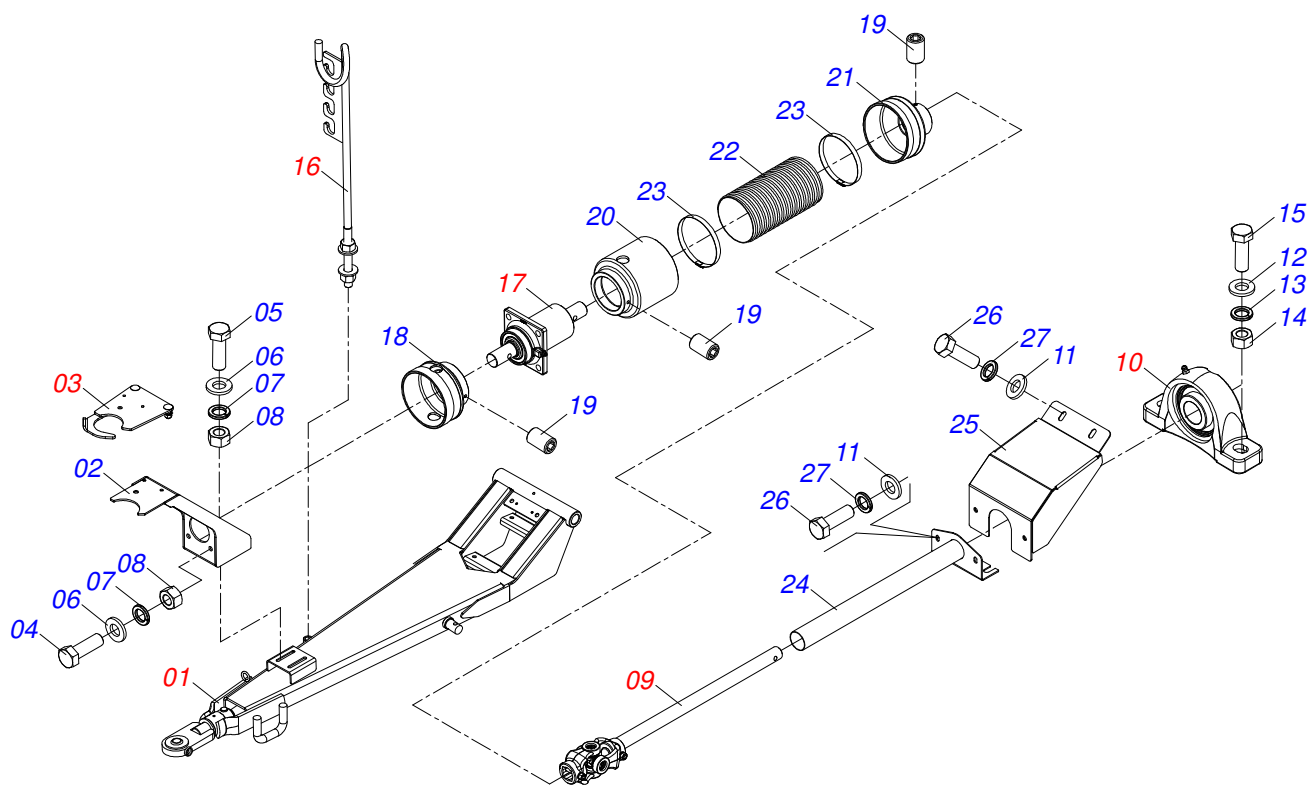
Item	Code	Description	See page	QT
01	0501110879	WHEELED WITH SCREW		01
01A	0502011229	CARRYING WHEEL HUB		01
01B	0503014384	SCREW		08
01C	0503011340	SPHERICAL SPRING WASHER		08
01D	0503011341	M22 X 0.6" NUT GR8 NUT		08
02	0503010059	33287/33462 ROLLER BEARING		01
03	0503010007	3982/3920 ROLLER BEARING		01
04	0541016099	POINT AXIS REAR		01
05	0503010050	SEAL 00085-B		01
06	0502040080	2.1/2" SLOTTED NUT		01
07	0503011345	1/4" X 3-1/2" COTTERPIN		01
08	0541013225	WHEEL BOX COVER		01
09	0503010002	1800 GREASE FITTING		01
10	0503011444	SPRING WASHER		06
11	0503010240	5/16" X 3/4" BOLT		06



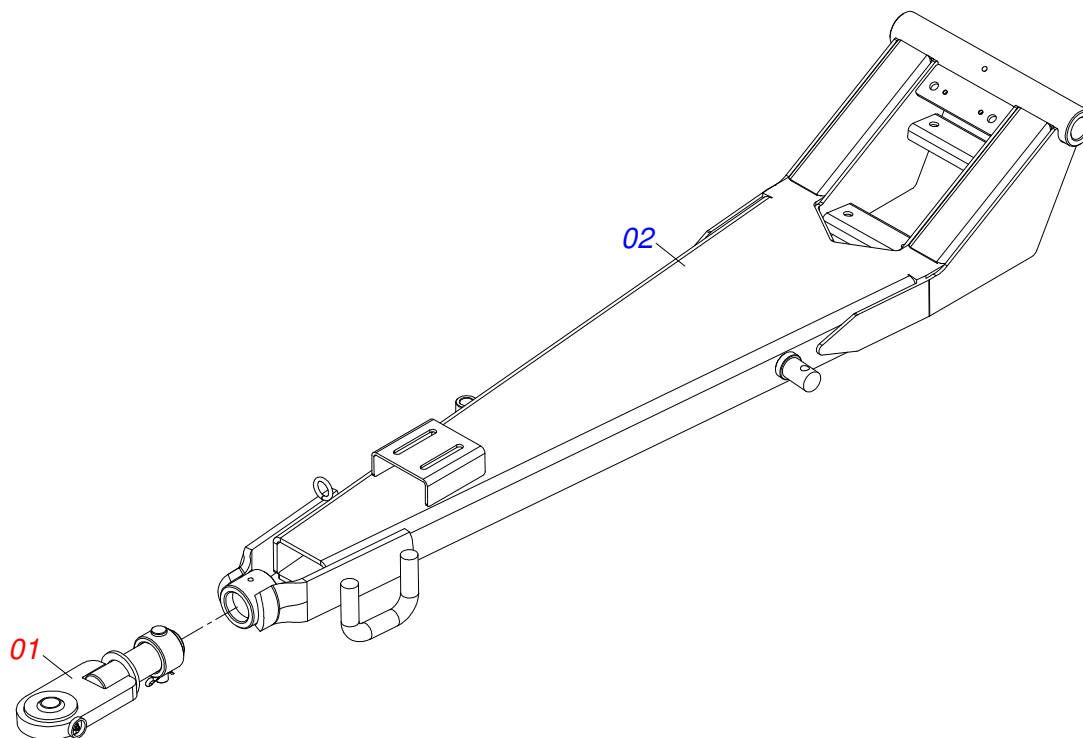
Item	Code	Description	See page	QT
001	0503013507	CANVAS TIRE		01
002	0503013508	18.4-30 INNER TIRE		01
003	0503032413	DW 16.30 HOOP WHEEL		01



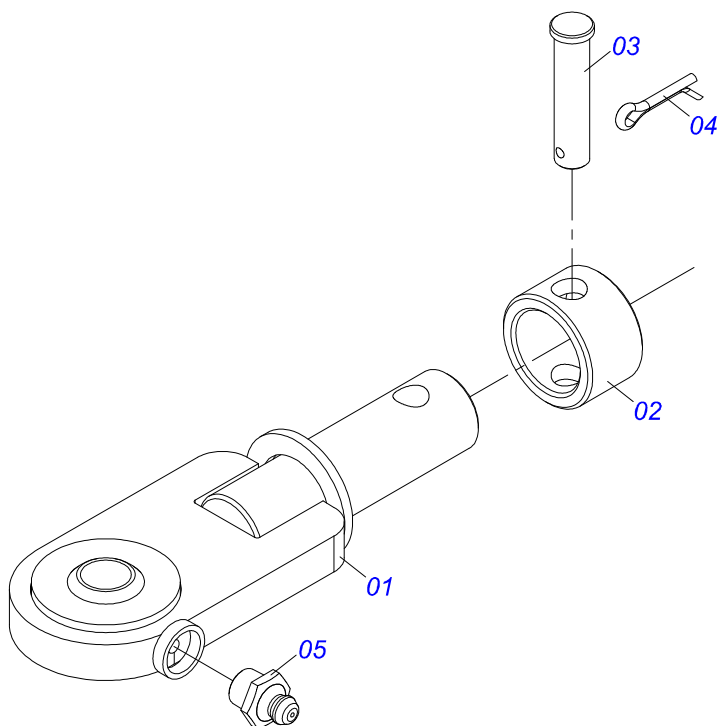
Item	Code	Description	See page	QT
01	0511051854	HEADER HITCH	23	01
02	0521062815	SUPPORT BEARING		01
03	0501056884	FIXER CARDAN SHAFT	25	01
04	0503010920	1/2" X 1.1/2" BOLT		04
05	0503014007	1/2" X 1-1/4" BOLT		04
06	0501013519	FLAT WASHER		08
07	0503010019	1/2" SPRING WASHER		08
08	0503010060	1/2" NUT		08
09	0521040837	UNIVERSAL JOINT WITH SHAFT	26	01
10	0511041213	AGRICULTURAL BEARING	28	01
11	0503010920	1/2" X 1.1/2" BOLT		02
12	0501013519	FLAT WASHER		04
13	0503010019	1/2" SPRING WASHER		04
14	0503010060	1/2" NUT		04
15	0501010077	1/2" X 2" BOLT		02
16	0501040257	3/4 X 1200 HOSE HOLDER A	29	01
17	0511050253	CARDAN TRANSMISSION HUB	30	01
18	0571019512	CROSSPIECE		01
19	0503011807	SCREW M8 X 1,25X10		03
20	0571019513	CROSSPIECE		01
21	0571019514	CROSSPIECE		01
22	0571019688	HOSE		01
23	0503012724	121 TO 140 CLAMP		02
24	0521066764	AXIS SHIELD		01
25	0571012204	BEARING SUPPORT		01



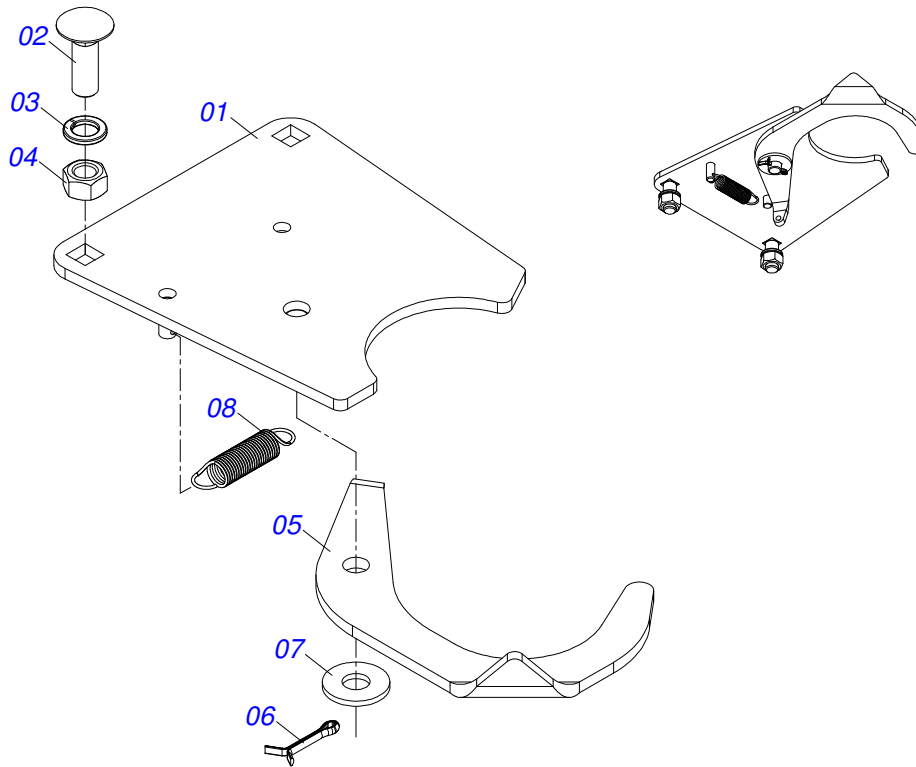
Item	Code	Description	See page	QT
01	0511051854	HEADER HITCH	23	01
02	0521062815	SUPPORT BEARING		01
03	0501056884	FIXER CARDAN SHAFT	25	01
04	0503010920	1/2" X 1.1/2" BOLT		04
05	0503014007	1/2" X 1-1/4" BOLT		04
06	0501013519	FLAT WASHER		08
07	0503010019	1/2" SPRING WASHER		08
08	0503010060	1/2" NUT		08
09	0521041266	UNIVERSAL JOINT WITH SHAFT	27	01
10	0511041213	AGRICULTURAL BEARING	28	01
11	0501010694	8.5 X 18 X 1.5 FLAT WASHER		04
12	0501013519	FLAT WASHER		02
13	0503010019	1/2" SPRING WASHER		02
14	0503010060	1/2" NUT		02
15	0501010077	1/2" X 2" BOLT		02
16	0501040257	3/4 X 1200 HOSE HOLDER A	29	01
17	0511050253	CARDAN TRANSMISSION HUB	30	01
18	0571019512	CROSSPIECE		01
19	0503011807	SCREW M8 X 1,25X10		03
20	0571019513	CROSSPIECE		01
21	0571019514	CROSSPIECE		01
22	0571019688	HOSE		01
23	0503012724	121 TO 140 CLAMP		02
24	0521066765	AXIS SHIELD		01
25	0521066767	COVER		01
26	0503010240	5/16" X 3/4" BOLT		04
27	0503010179	5/16" ZN SPRING WASHER		04



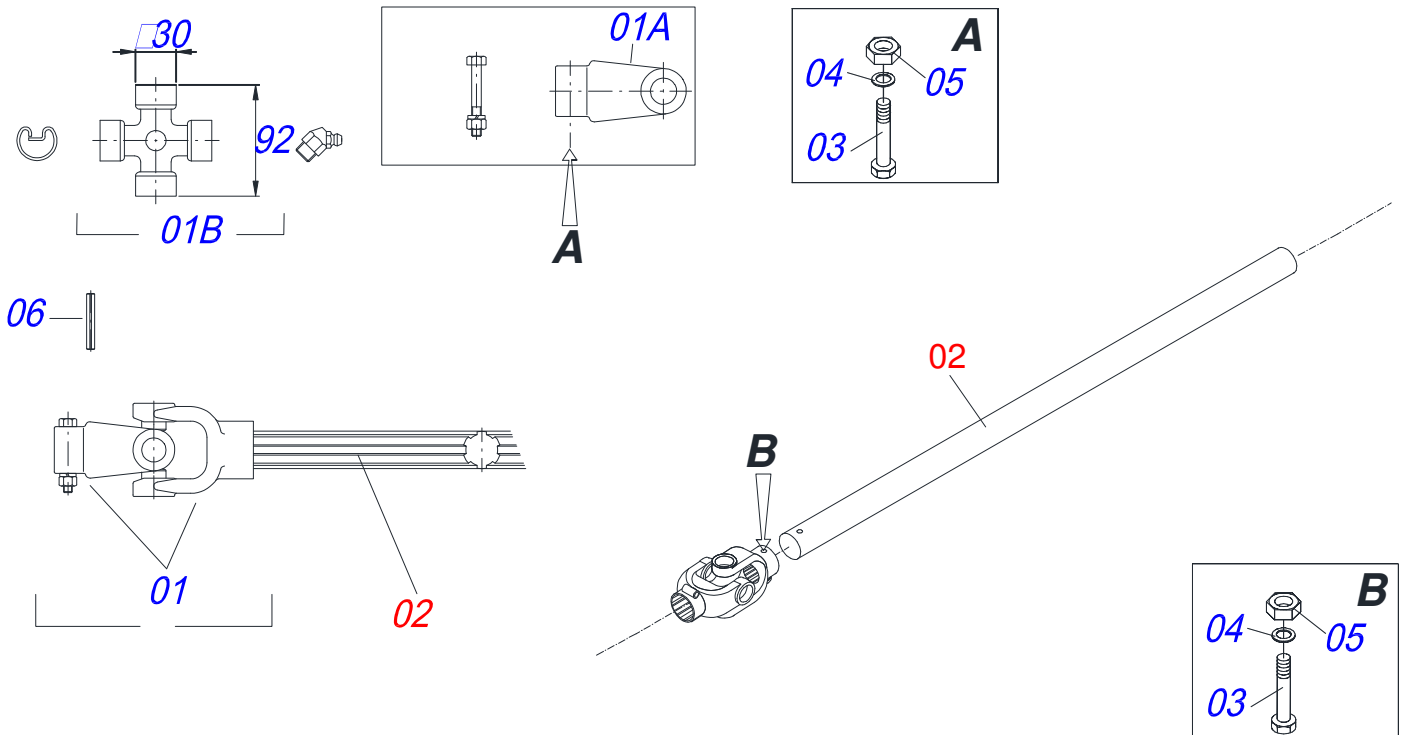
Item	Code	Description	See page	QT
01	0501053494	TRACTOR HITCH ASSY	24	01
02	0521063107	DRAWBAR		01



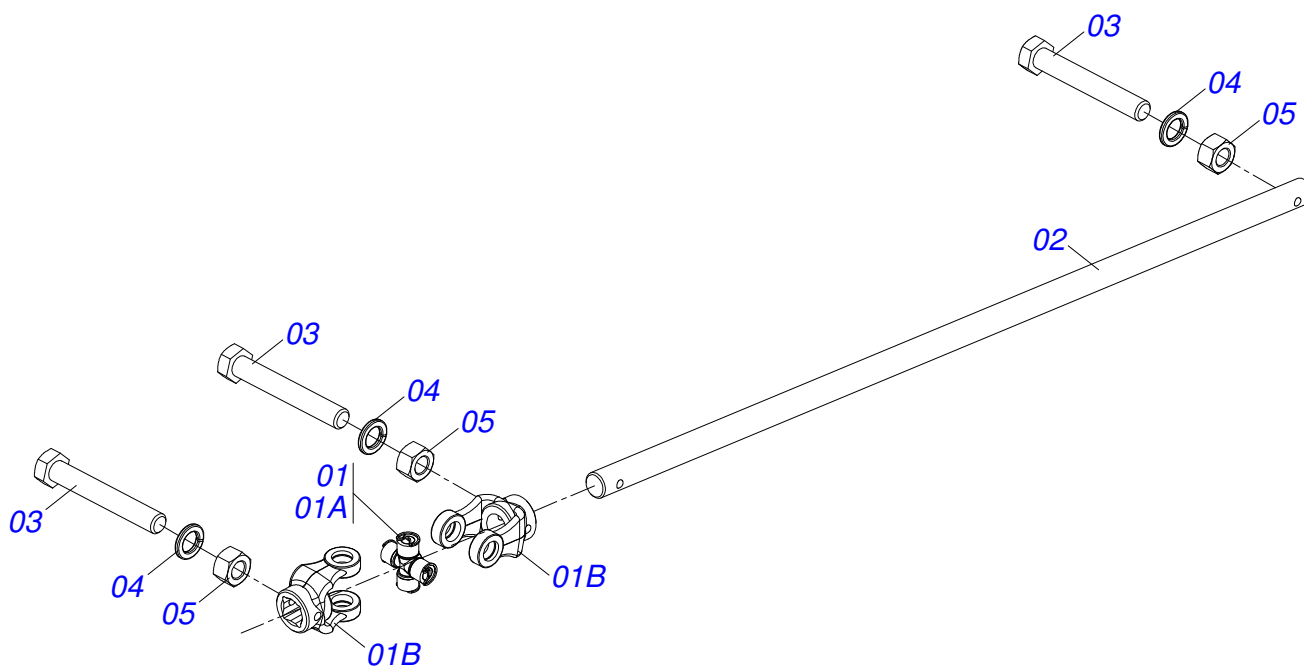
Item	Code	Description	See page	QT
001	0511062245	TRACTOR HITCH ASSY		01
002	0521010681	BUSHING COUPLING BODY		01
003	0521010639	COUPLING SHAFT		01
004	0503010571	1/4" X 1.1/2 COTTERPIN		01
005	0503010002	1800 GREASE FITTING		01



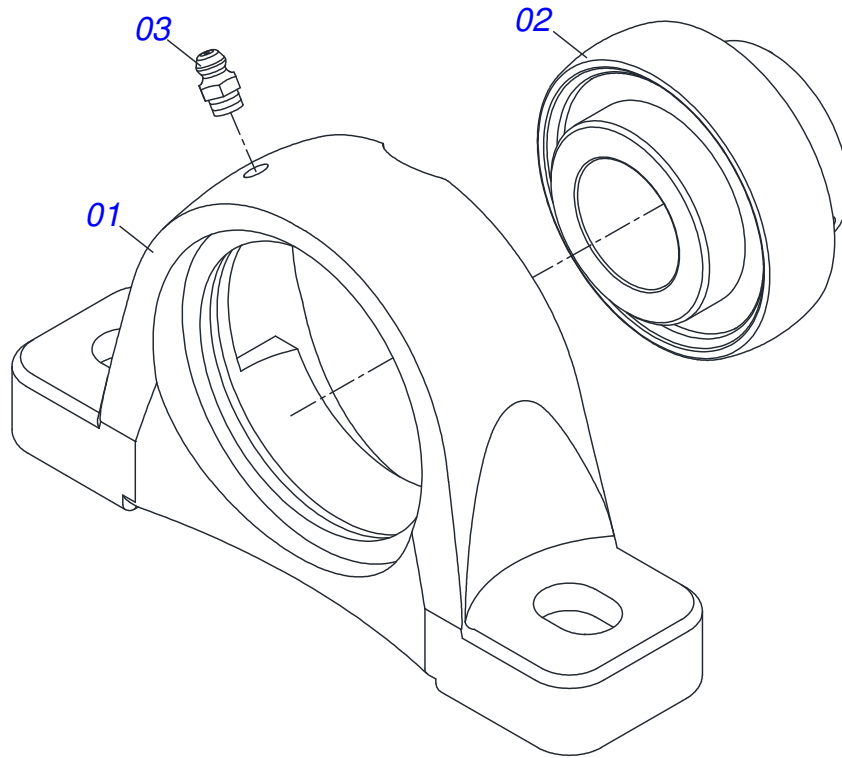
Item	Code	Description	See page	QT
01	0511067332	CARDAN LARGER FIXER		01
02	0501010243	1/2" X 1-1/2" BOLT		02
03	0503011440	SPRING WASHER		02
04	0503012682	1/2" BSW NUT		02
05	0541019756	CARDAN SMALLE FIXER		01
06	0503010257	1/8" X 1" COTTERPIN		01
07	0511017302	FLAT WASHER		01
08	0503030198	0.6" X 2.4" X 0.1" EXTENSION SPRING		01



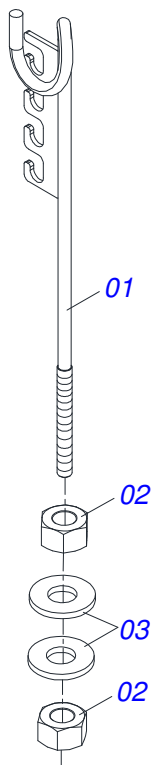
Item	Code	Description	See page	QT
00	0521040837	UNIVERSAL JOINT WITH SHAFT	26	01
01	0511051860	UNIVERSAL JOINT		01
01A	0502011611	9-40 TERMINAL		02
01B	0503010836	CARDAN CROSSPIECE		01
02	0571011302	30 X 1120 AXLE		01
03	0503011268	3/8" X 2-1/2" BOLT		03
04	0503010025	3/8" SPRING WASHER		03
05	0503010026	3/8" NUT		03
06	0503011877	0.3" X 2.4" SPRING PIN		01



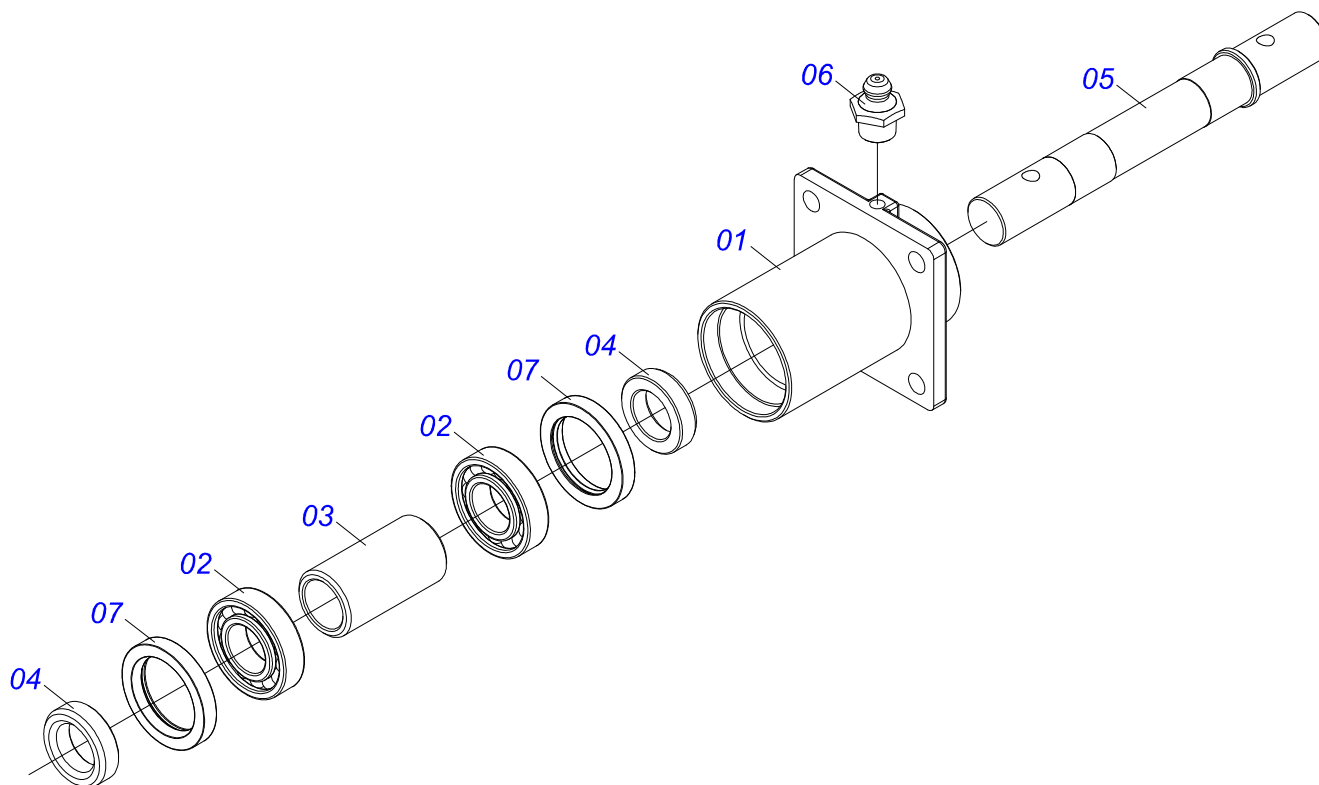
Item	Code	Description	See page	QT
01	0511051860	UNIVERSAL JOINT		01
01A	0503010836	CARDAN CROSSPIECE		01
01B	0502011611	9-40 TERMINAL		02
02	0571012208	AXIS		01
03	0503011268	3/8" X 2-1/2" BOLT		03
04	0503010025	3/8" SPRING WASHER		03
05	0503010026	3/8" NUT		03



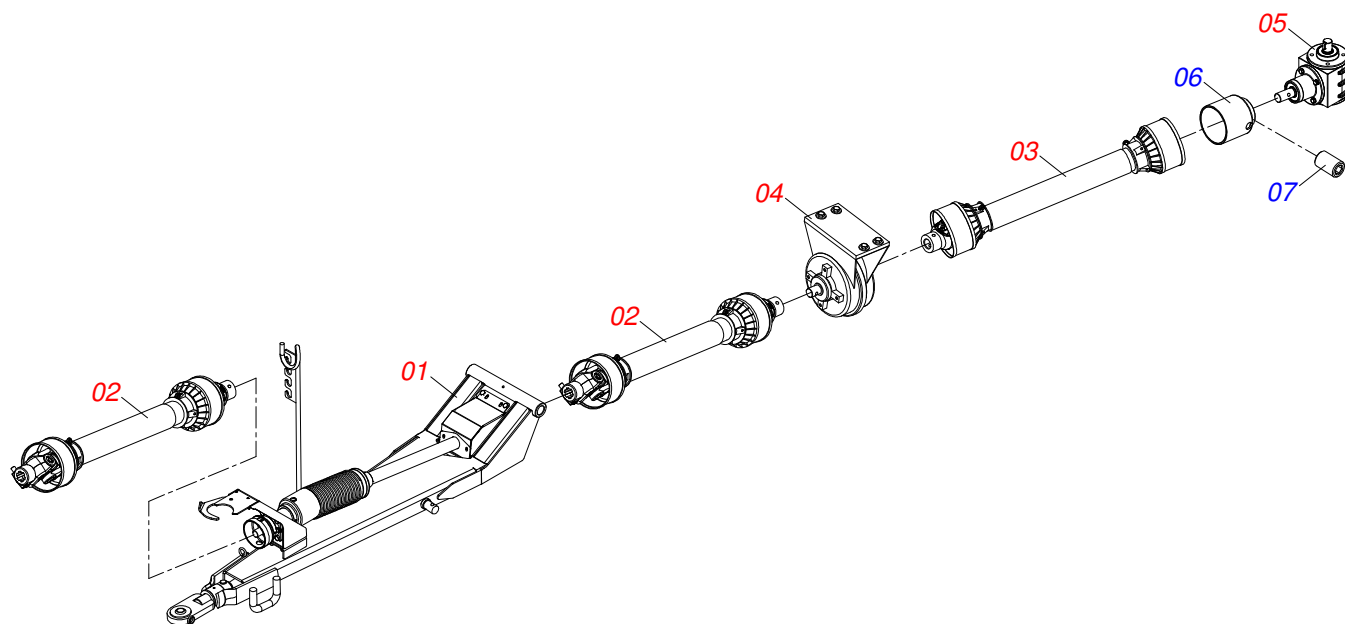
Item	Code	Description	See page	QT
01	0502011954	AGRICULTURAL HOUSING BEARING		01
02	0503011884	BALL BEARING		01
03	0503010691	1/4" GREASE FITTING		01



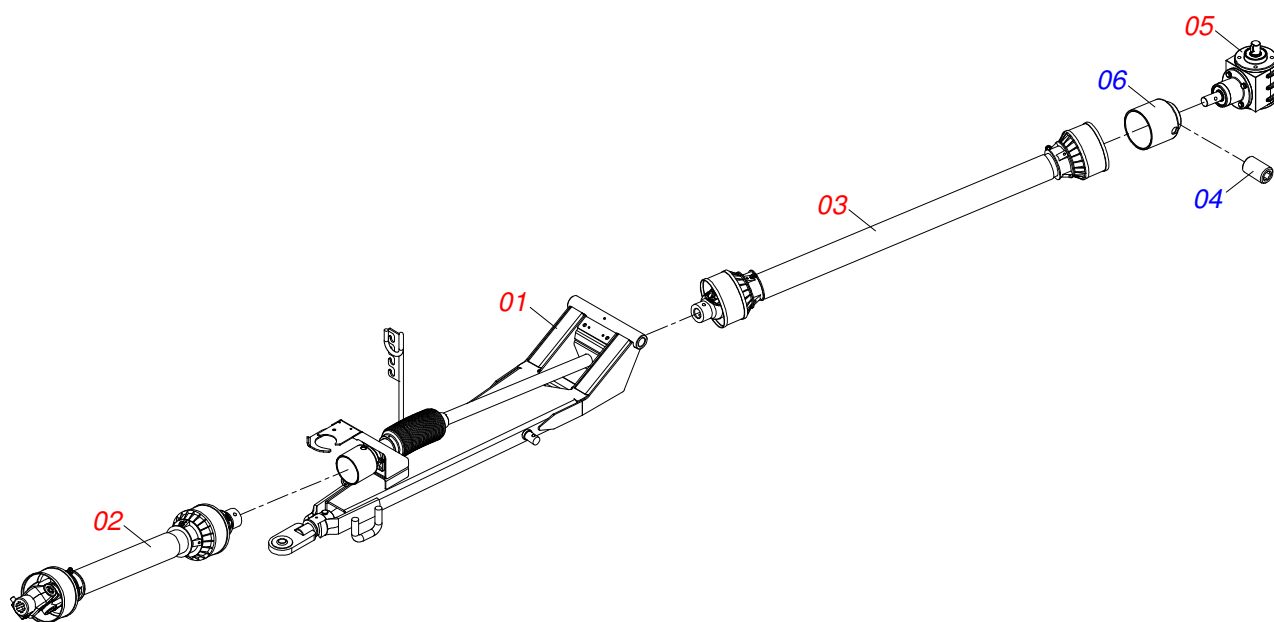
Item	Code	Description	See page	QT
01	0511067334	HOSE SOPPORT ASSY		01
02	0503010014	3/4" NUT		02
03	0501010322	FLAT WASHER		02



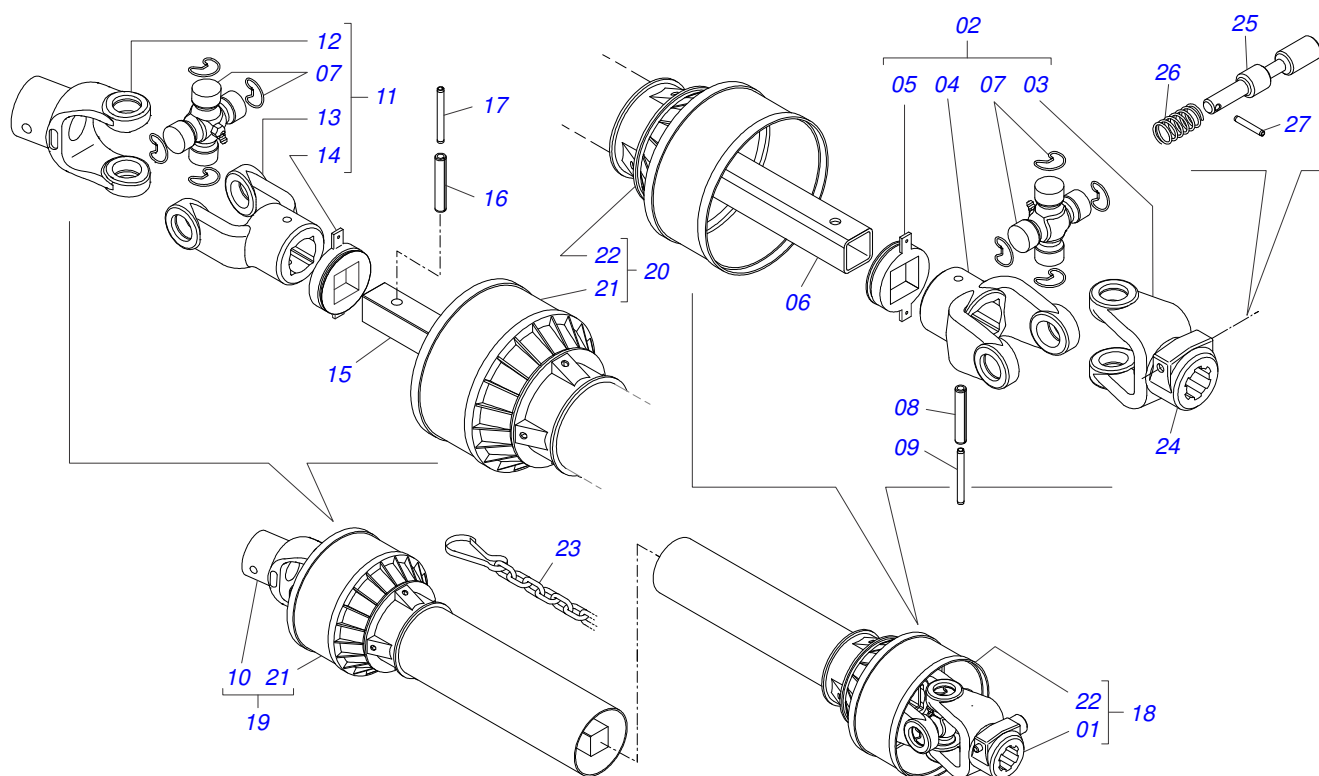
Item	Code	Description	See page	QT
001	0571019515	TRANSMISSION SHAFT BOX		01
002	0503010276	6206 BALL BEARING		02
003	0511014701	1.19" X 1.63" X 3.11" BUSHING		01
004	0511014695	1.18" X " X 1.89" X 0.55" BUSHING		02
005	0561016932	TRANSMISSION AXLE		01
006	0503010002	1800 GREASE FITTING		01
007	0503010278	SEAL		02



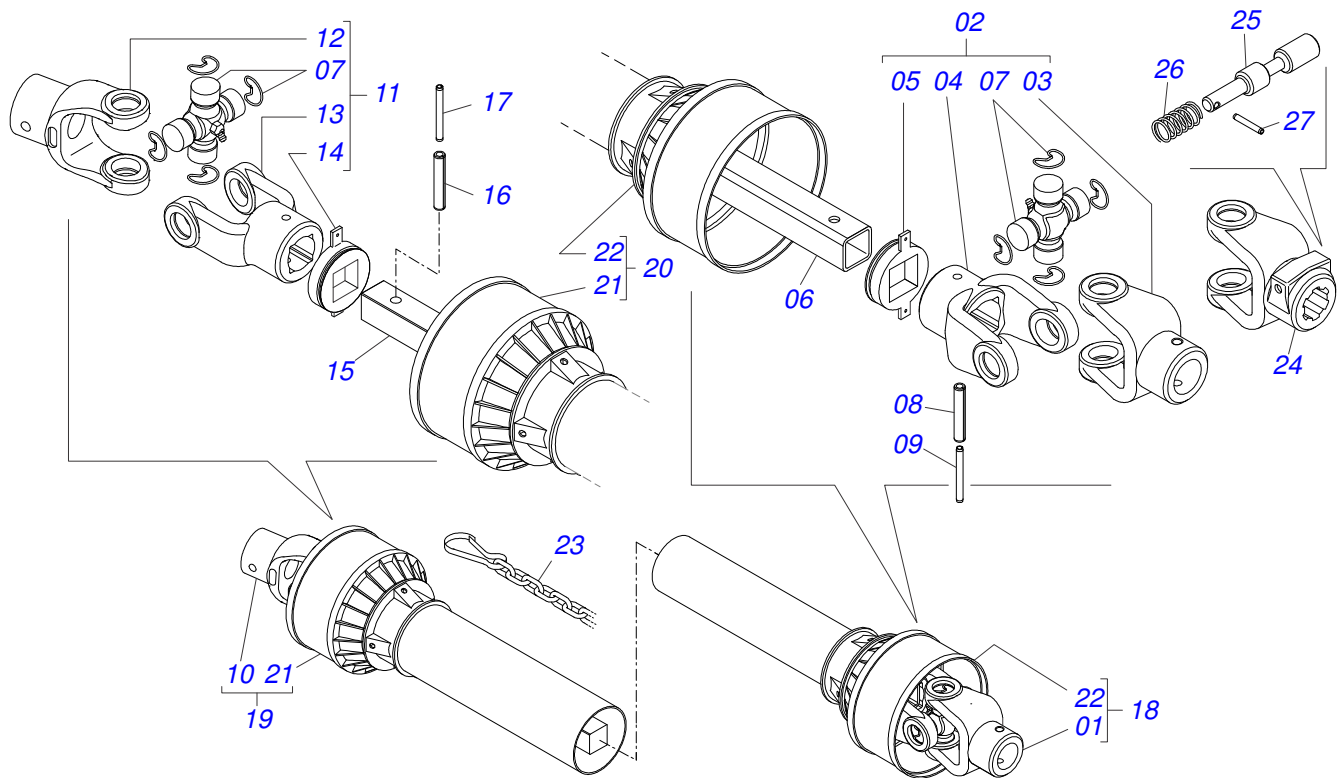
Item	Code	Description	See page	QT
01	0511052893	HEADER FULL TRACTOR HITCH	22	01
02	0511043330	DRIVE SHAFT	33	02
03	0501048241	DRIVE SHAFT	34	01
04	0511052892	CLUTCH	10	01
05	0521040821	TRANSMISSION BOX	35	01
06	0571019513	CROSSPIECE		01
07	0503011807	SCREW M8 X 1,25X10		01



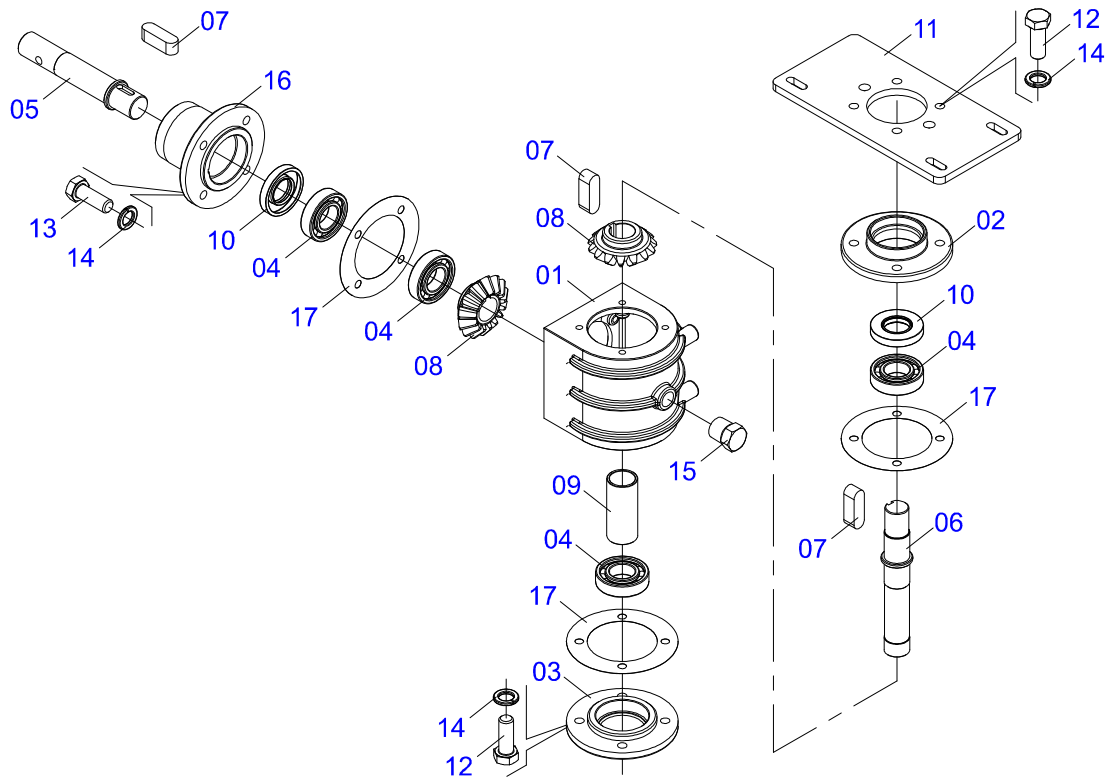
Item	Code	Description	See page	QT
01	0511051854	HEADER HITCH	23	01
02	0511043330	DRIVE SHAFT	33	01
03	0511049811	DRIVE SHAFT		01
04	0503011807	SCREW M8 X 1,25X10		01
05	0521040821	TRANSMISSION BOX	35	01
06	0571019513	CROSSPIECE		01



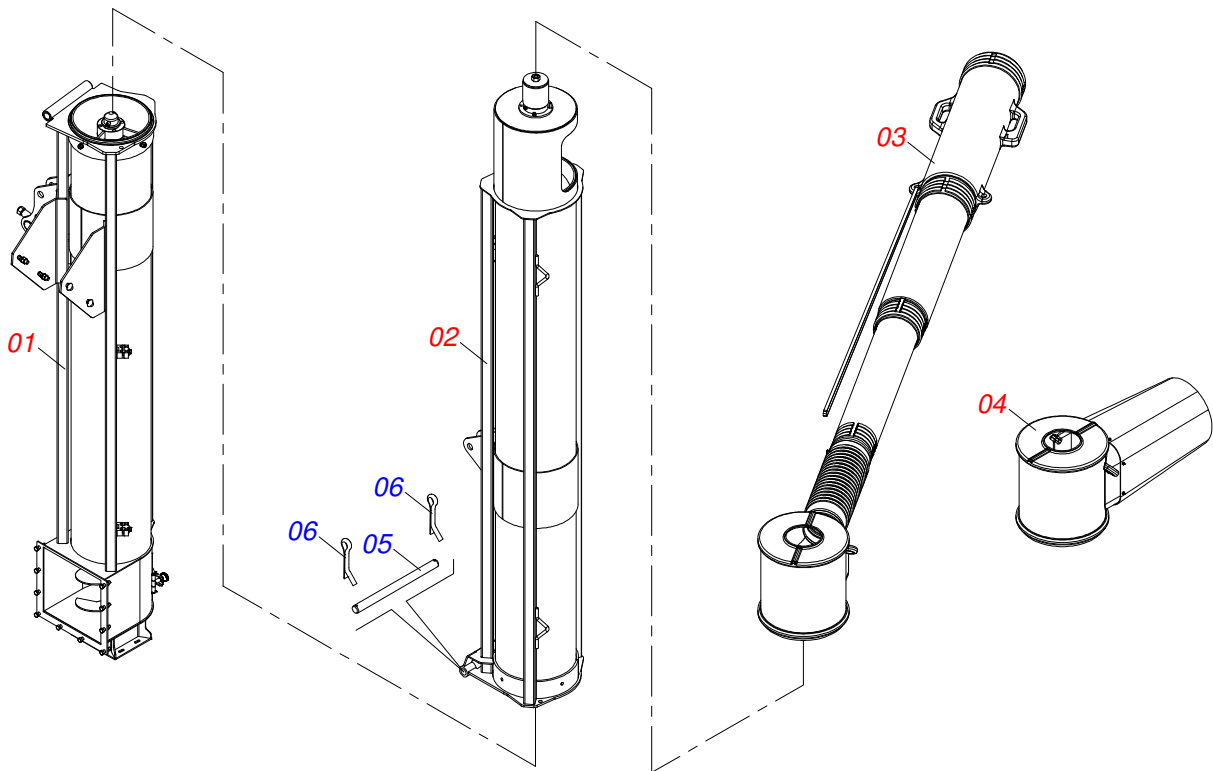
Item	Code	Description	See page	QT
01	0501056756	UNIVERSAL JOINT		01
02	0501050265	UNIVERSAL JOINT		01
03	0502010563	1-40 STRIATED 1.3/8" TERMINAL		01
04	0502010563	1-40 STRIATED 1.3/8" TERMINAL		01
05	0503012069	ADAPTER FOR BUSHING PROTECT		01
06	0501017427	20" X 1.5" SQUARE SLEEVE		01
07	0503010836	CARDAN CROSSPIECE		01
08	0503011069	0.4" X 2.8" SPRING PIN		01
09	0503010510	0.2" X 2.6" SPRING PIN		01
10	0501056755	UNIVERSAL JOINT		01
11	0501052178	UNIVERSAL JOINT		01
12	0502011611	9-40 TERMINAL		01
13	0502010566	3-40 TERMINAL WITH SH 1.2"/1.2"		01
14	0503012070	ADAPTER FOR AXLE PROTECTION		01
15	0501017423	1.2" X 19.6" SQUARE SHAFT		01
16	0503010361	SPRING PIN		01
17	0503010756	0.2" X 2.4" SPRING PIN		01
18	0501052179	PROT/SLEEVE UNIVERSAL JOINT		01
19	0501052180	PROT/AXLE UNIVERSAL JOINT		01
20	0503012277	PROTECTION ASSY		01
21	0503012278	PROTECTION FOR UNIV JOINT SLEEVE		01
22	0503012279	PROTECTION FOR UNIV JOINT AND AXLE		01
23	0503012023	CHAIN FOR PROTECTION		02
24	0502010563	1-40 STRIATED 1.3/8" TERMINAL		01
25	0521010638	0.5" X 3.3" QUIC HITCH COUPL SHAFT		01
26	0503030518	0.5"X1.0"X 0.1" COMPRESSION SPRING		01
27	0503010838	0.1" X 0.8" SPRING PIN		01



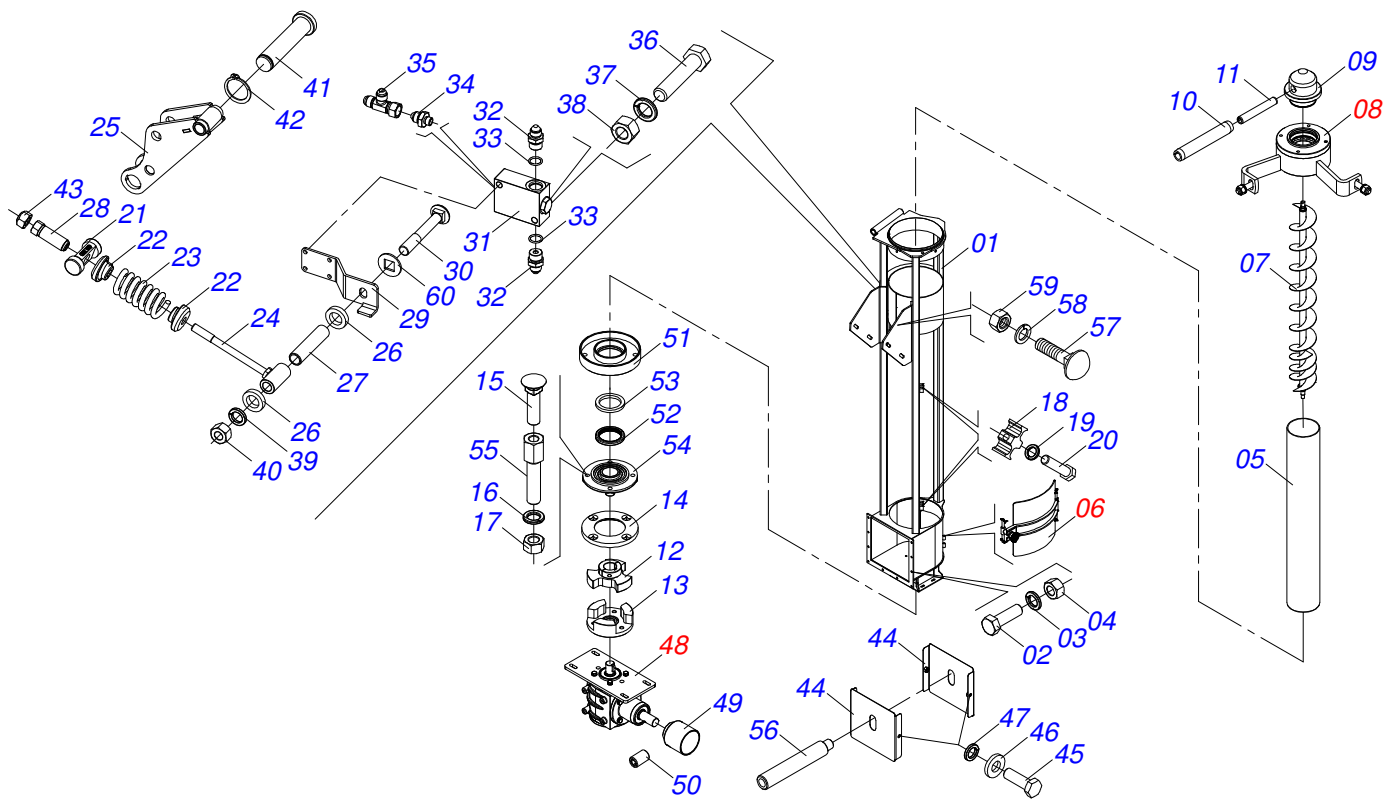
Item	Code	Description	See page	QT
01	0501052176	SLEEVE UNIVERSAL JOINT	01	01
02	0501050265	UNIVERSAL JOINT	01	01
03	0501050333	1-40 TERMINAL WITH HITCH	01	01
04	0502010565	2-40 TERMINAL W/ SH 1.5"/1.5"	01	01
05	0503012069	ADAPTER FOR BUSHING PROTECT	01	01
06	0521013800	16" X 1.4" SQUARE SLEEVE	01	01
07	0503010836	CARDAN CROSSPIECE	02	01
08	0503011069	0.4" X 2.8" SPRING PIN	01	01
09	0503010510	0.2" X 2.6" SPRING PIN	01	01
10	0501052177	AXLE UNIVERSAL JOINT	01	01
11	0501052178	UNIVERSAL JOINT	01	01
12	0502011611	9-40 TERMINAL	01	01
13	0502010566	3-40 TERMINAL WITH SH 1.2"/1.2"	01	01
14	0503012070	ADAPTER FOR AXLE PROTECTION	01	01
15	0521013801	1.2" X 15.7" SQUARE SHAFT	01	01
16	0503010361	SPRING PIN	01	01
17	0503010756	0.2" X 2.4" SPRING PIN	01	01
18	0501052179	PROT/SLEEVE UNIVERSAL JOINT	01	01
19	0501052180	PROT/AXLE UNIVERSAL JOINT	01	01
20	0503012277	PROTECTION ASSY	01	01
21	0503012279	PROTECTION FOR UNIV JOINT AND AXLE	01	01
22	0503012278	PROTECTION FOR UNIV JOINT SLEEVE	01	01
23	0503012023	CHAIN FOR PROTECTION	02	01
24	0502010563	1-40 STRIATED 1.3/8" TERMINAL	01	01
25	0521010638	0.5" X 3.3" QUIC HITCH COUPL SHAFT	01	01
26	0503030518	0.5"X1.0"X 0.1" COMPRESSION SPRING	01	01
27	0503010838	0.1" X 0.8" SPRING PIN	01	01



Item	Code	Description	See page	QT
01	0502010312	DISTRIBUTOR REDUCTION BOX		01
02	0502012695	UPPER COVER		01
03	0502010357	LOWER COVER		01
04	0503010276	6206 BALL BEARING		04
05	0571010264	TRANSMISSION BOX AXLE		01
06	0571011311	TRANSMISSION BOX AXLE		01
07	0503031030	5/16" X 1.98" KEYWAY		03
08	0503030153	15Z CONICAL GEAR		02
09	0571010262	SLEEVE 36 X 30,05/30,15 X 82,50		01
10	0503010083	50791MBL SEAL		02
11	0571011310	FIXER PLATE BOX TRANSMISSION		01
12	0503010237	3/8" X 1" BOLT		08
13	0503010751	C3/8" X 1.1/4" HEX BOLT G.5		04
14	0503011443	3/8" SPRING WASHER		12
15	0503031604	1/2" BSP PLUG		01
16	0502010437	HUB CENTRAL		01
17	0503030157	5.12" X 3.21" X 0.008" JOINT		03



Item	Code	Description	See page	QT
01	0511051849	LOWER CONDUTOR ASSY	37	01
02	0511051848	UPPER CONDUCTOR ASSY	40	01
03	0501056252	DISCHARGE SOCKET	42	01
04	0511052760	BOCAL OUT OF CEREALS WITH COVERING	43	01
05	0541016954	31,75MM X 422MM AXLE		01
06	0503010523	1/4" X 2" COTTERPIN		02

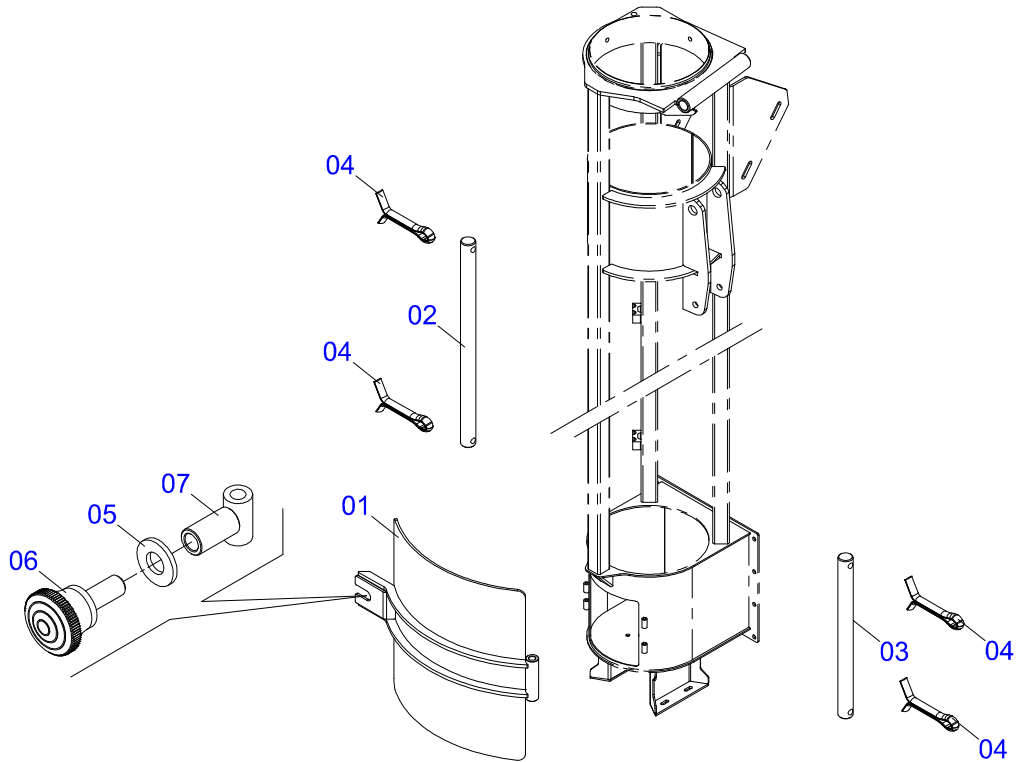


Item	Code	Description	See page	QT
01	0521063093	LOWER CONDUTOR SUPPORT		01
02	0503010238	BOLT 1/2 UNC X 1.3/4 CS G.2 ZN		10
03	0503010019	1/2" SPRING WASHER		10
04	0503010060	1/2" NUT		10
05	0503032418	355 X 8,70 X 2320 TUBE PVC		01
06	0511051857	SLUICE VALVE ASSY	38	01
07	0521063095	LOWER CONDUTOR		01
08	0501057635	CONDUTOR LOWER HUB	39	01
09	0551015076	SLEEVE		01
10	0503010927	0.6" X 3.9" SPRING PIN		01
11	0503010928	0.4" X 4" SPRING PIN		01
12	0521063096	CONDUTOR FOLLOWER		01
13	0521063097	TRANSMISSION BOX FOLLOWER		01
14	0571011301	SUPPORT FLANGE CLOTH		01
15	0501011642	3/8" X 1" BOLT		04
16	0503010025	3/8" SPRING WASHER		04
17	0503010244	7/16" NUT		04
18	0502012702	BODY SUPPORT CLAMP		02
19	0503010180	7/16" SPRING WASHER		02
20	0503011135	BOLT		02
21	0502011968	SPRING LOCKNUT		01
22	1902020393	SPRING UPPER SUPPORT		02
23	0503030441	12.7" X 5.7" X 0.5" SPRING		01
24	0501067323	SPRING REGULATOR		01
25	0511068634	CILINDER ARTICULATION		01
26	0551015396	FLAT WASHER		02
27	0551015089	GLOVE		01
28	0521018575	REGULATOR SPINDLE 100		01
29	0551015395	VALVE SUPPORT		01
30	0503014192	3/4 UNC BOLT		01
31	0503013622	VALVE ASSY		01

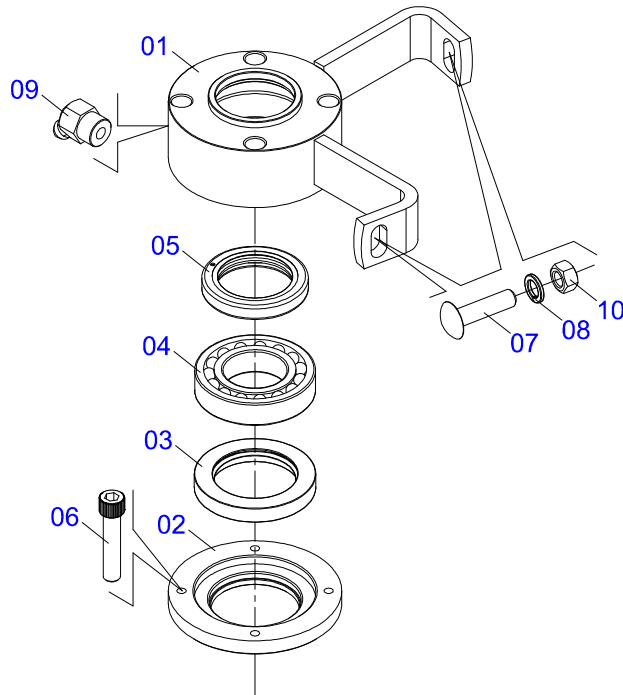


TCA 16000
LOWER CONDUTOR ASSY

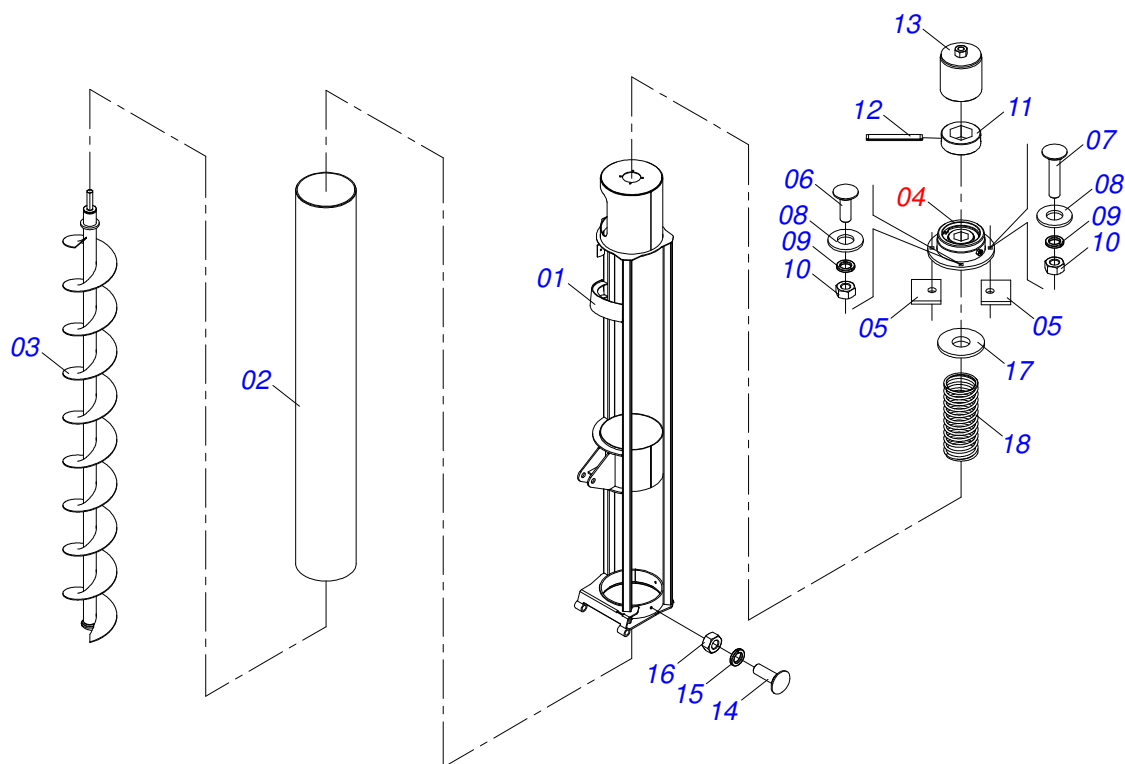
Item	Code	Description	See page	QT
32	0511010111	7/8" NIPPLE		02
33	0503010045	O'RING		02
34	0501012109	3/4" X 9/16" NIPPLE		01
35	0503011968	3/4" 8R6X-S T ADAPTER WITH SWIVEL NUT		01
36	0503011179	3/8" X 2-1/4" BOLT		02
37	0503010025	3/8" SPRING WASHER		02
38	0503010026	3/8" NUT		02
39	0503010023	3/4" SPRING WASHER		01
40	0503010014	3/4" NUT		01
41	0551015389	COUPLING SHAFT		01
42	0503010880	501032 CLAMPING RING (FOR AXLE)		01
43	0503011255	3/4" LOCK NUT		01
44	0521063112	COVER		02
45	0503010358	5/16" X 5/8" BOLT		04
46	0501010694	8.5 X 18 X 1.5 FLAT WASHER		04
47	0503010179	5/16" ZN SPRING WASHER		04
48	0521040821	TRANSMISSION BOX	35	01
49	0571019513	CROSSPIECE		01
50	0503011807	SCREW M8 X 1,25X10		01
51	0571011300	SUPPORT SEAL		01
52	0551016480	58X75X9 SEAL		01
53	0503013602	502075 CLAMPING RING		01
54	0503013510	BEARING ASSY		01
55	0571011309	BATH BEARING FIXER		04
56	0503031394	EXTENSION GREASE FITTING		01
57	0503012407	5/8" X 1-1/2" BOLT		04
58	0503010027	5/8" SPRING WASHER		04
59	0503010013	5/8" NUT		04
60	0501010637	FLAT WASHER		01



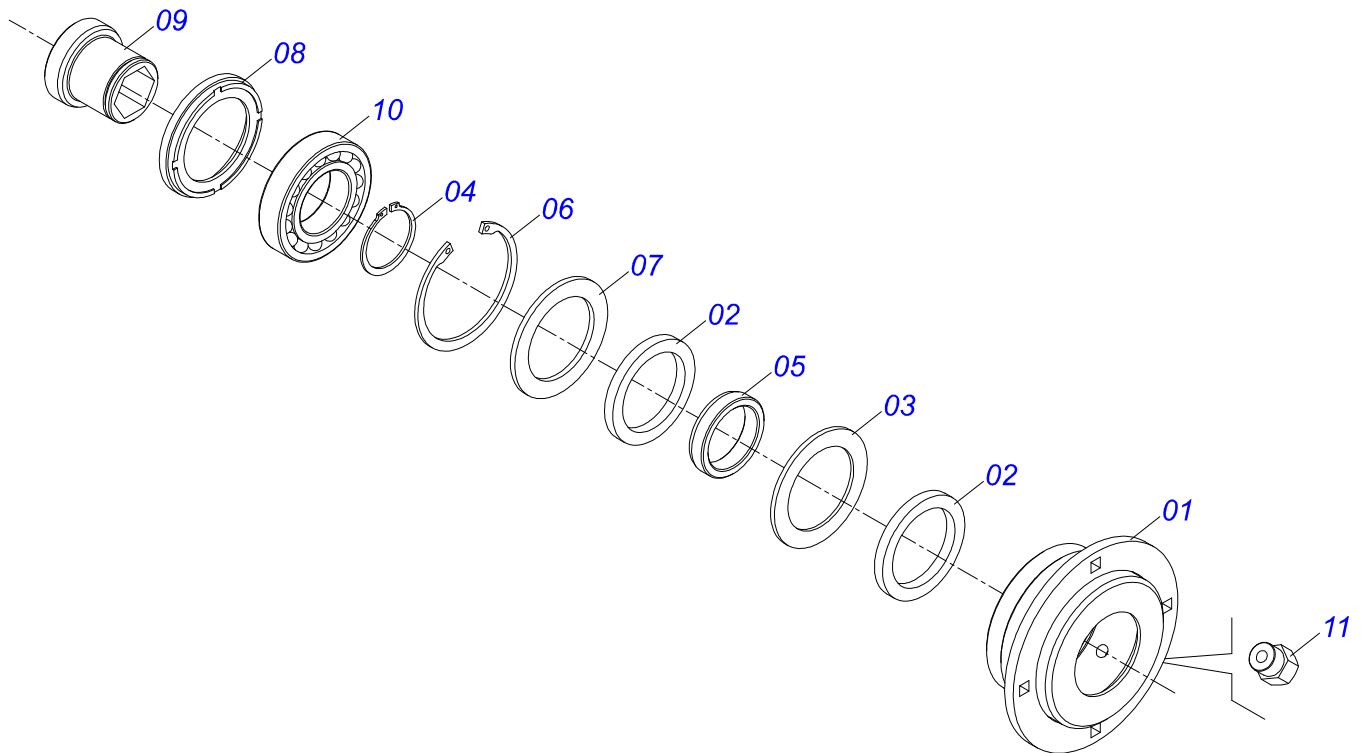
Item	Code	Description	See page	QT
001	0521063098	SLUICE VALVE		01
002	0571011299	PIVOT SHAFT		01
003	0571011298	PIVOT SHAFT LOCK		01
004	0503010257	1/8" X 1" COTTERPIN		04
005	0501010937	13.5 X 28 X 3 FLAT WASHER		01
006	0503016361	PMO 900 KNOB		01
007	0521063099	PIVOT LOCK COMPUERTA		01



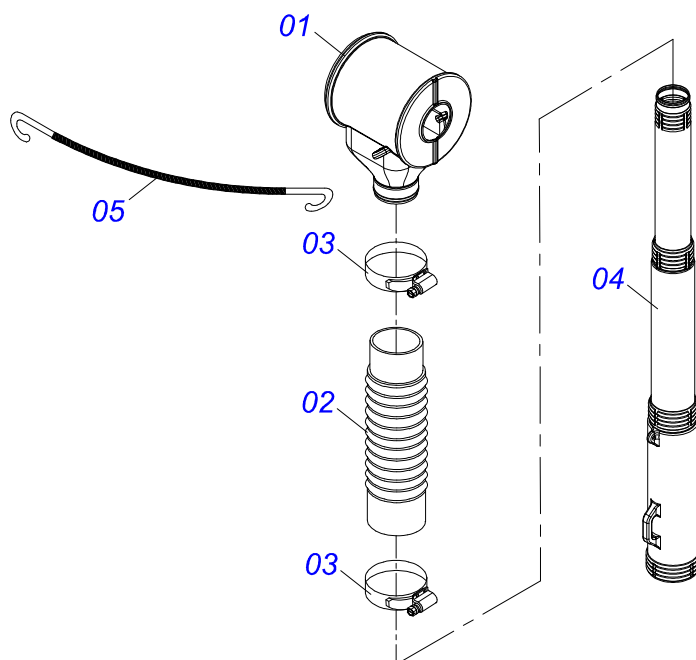
Item	Code	Description	See page	QT
01	0511068635	CONDUCTOR LOWER HUB		01
02	0551015078	BEARING UPPER FLANGE		01
03	0503010804	00547-B SEAL		01
04	0503013511	1209-E BEARING ASSY		01
05	0551015432	SEAL 00838-B		01
06	0503014521	5/16 UNC X 1.1/2 CCSI 12.9 BOLT		04
07	0501010524	1/2" X 2" BOLT		02
08	0503010019	1/2" SPRING WASHER		02
09	0503010003	1845 GREASE FITTING		01
10	0503012682	1/2" BSW NUT		02



Item	Code	Description	See page	QT
001	0521063094	TOP CONDUCTOR SUPPORT		01
002	0503032417	TUBE PVC 355 X 8,70 X 2685		01
003	0511068554	UPPER AXLE CONDUCTOR		01
004	0501057633	SUPPORT HUB	41	01
005	0501016149	FIXER PLATE		02
006	0503011953	5/16" X 1" BOLT		02
007	0503012163	5/16" X 1-1/2" BOLT		02
008	0501010694	8.5 X 18 X 1.5 FLAT WASHER		04
009	0503010179	5/16" ZN SPRING WASHER		06
010	0503010337	5/16" NUT		06
011	0541016549	SLEEVE HEX SEXTAVADA 32 X 58 X 20		01
012	0503010756	0.2" X 2.4" SPRING PIN		01
013	0511068591	COVER		01
014	0501010243	1/2" X 1-1/2" BOLT		02
015	0503010019	1/2" SPRING WASHER		02
016	0503012682	1/2" BSW NUT		02
017	0551015071	SUPPORT WASHER		01
018	0503032958	90 X 230 X 7 TCA COMPRESSION SPRING		01

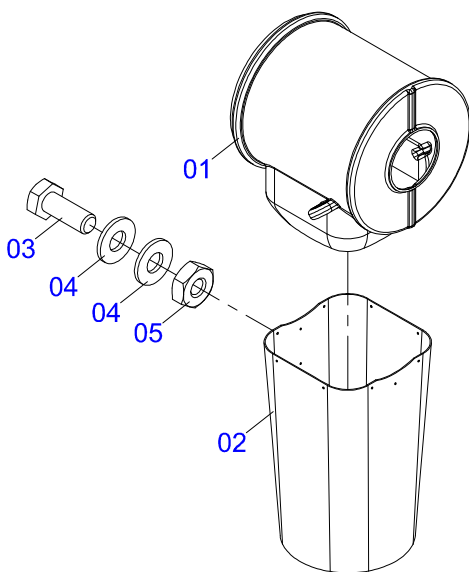


Item	Code	Description	See page	QT
01	0511068633	SUPPORT HUB		01
02	0503032420	FELT WASHER		02
03	0541016557	FELT WASHER SUPPORT		01
04	0503010542	501045 CLAMPING RING (FOR AXLE)		01
05	0541016550	44,91 X 57,50 X 13 SLEEVE		01
06	0503013200	502085 CLAMPING RING (FOR AXLE)		01
07	0541016558	FLAT WASHER		01
08	0541016556	FELT GUIDE ROLLER HUB		01
09	0541016548	HEX SLEEVE 32 X 57,50 X 54		01
10	0503013511	1209-E BEARING ASSY		01
11	0503010003	1845 GREASE FITTING		01

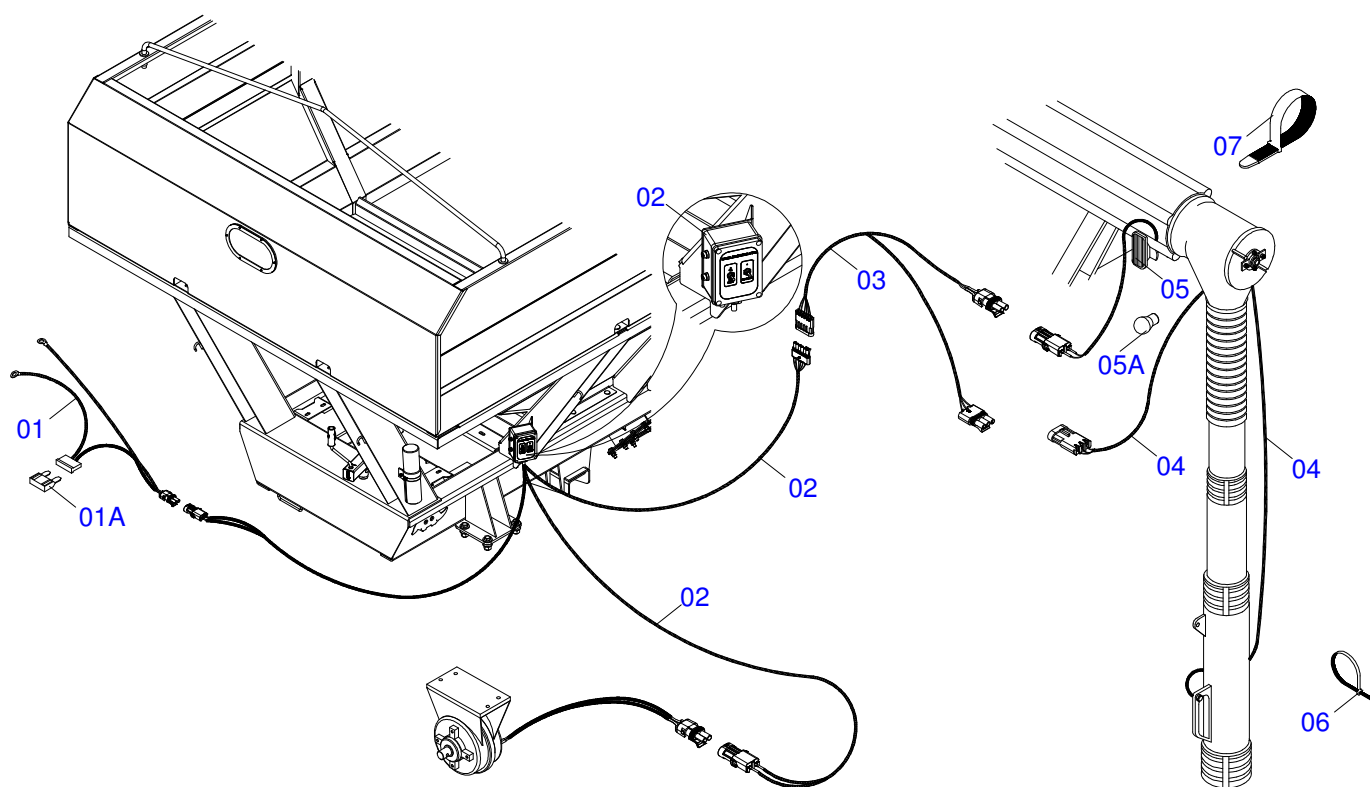


Item	Code	Description	See page	QT
001	0503032442	FERTILIZER DISCHARGE SOCKET		01
002	0503032419	HOSE		01
003	0503013626	CLAMP 178 TO 197		02
004	0503062005	CONDUCTOR ASSY		01
005	0503013628	ELASTIC LUGGAGE RACK		02

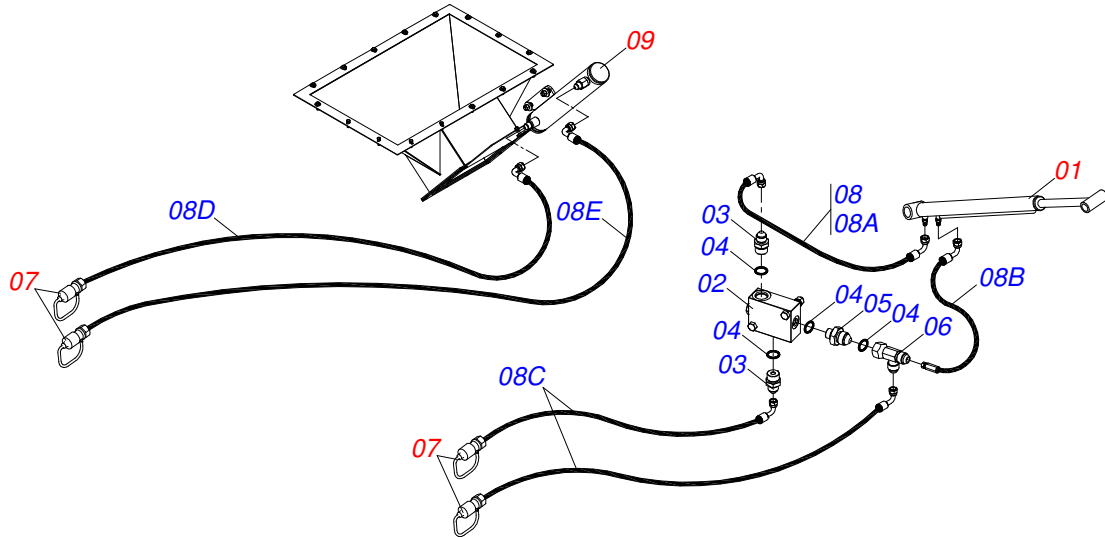
BOCAL OUT OF CEREALS WITH COVERING



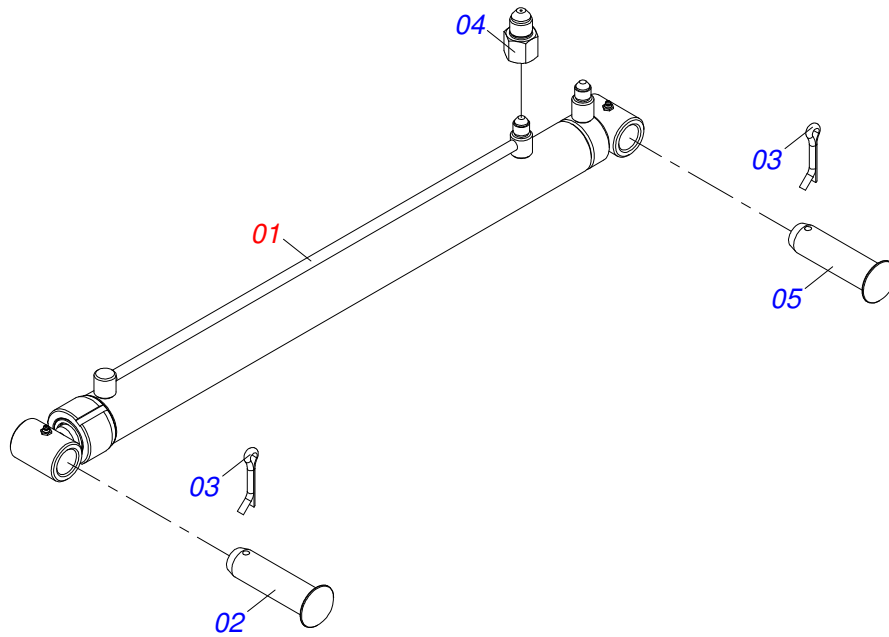
Item	Code	Description	See page	QT
001	0503032581	SOCKET		01
002	0571012961	BOCAL OUT OF CEREALS WITH COVERING		01
003	0503013784	3/16 UNC X 1/2 C S G.2 ZN BOLT		21
004	0503010669	FLAT WASHER		21
005	0503010667	3/16" NUT		21



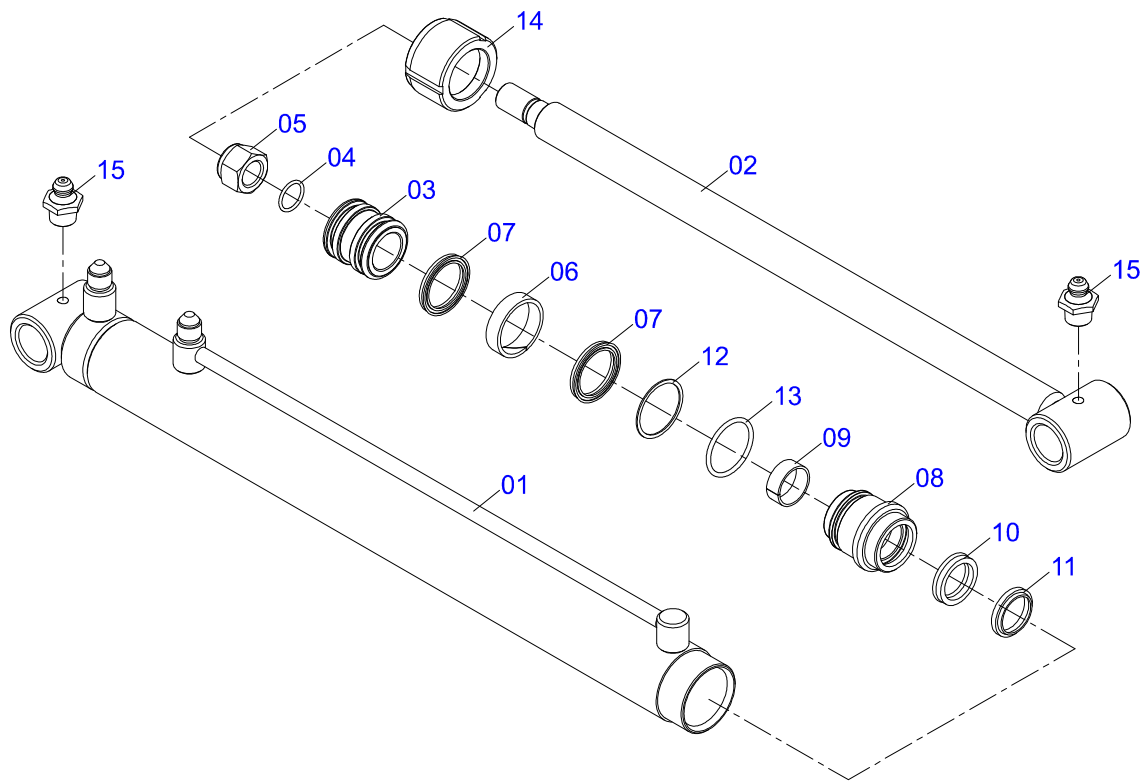
Item	Code	Description	See page	QT
01	0503062593	SWITCH CABLE		01
01A	0503018553	FUSE BLADE 20A		01
02	0503062459	CONTROL PANEL		01
03	0503018699	WHIP		01
04	0503018698	WHIP		01
05	0503062604	LIGHTHOUSE		01
05A	0503013639	H3 55W LAMP		01
06	0503015056	NYLON CLAMP		23
07	0503013100	NYLON CLAMP		12



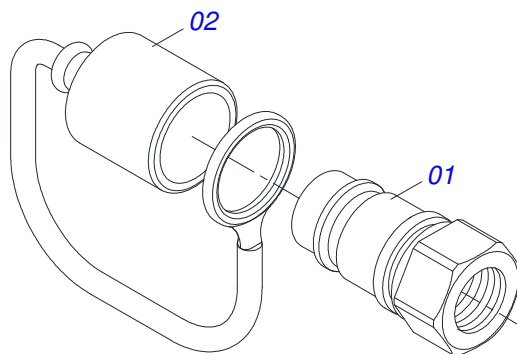
Item	Code	Description	See page	QT
01	0501056460	HYDRAULIC CYLINDER	46	01
02	0503013622	VALVE ASSY		01
03	0511010111	7/8" NIPPLE		02
04	0503010045	O'RING		04
05	0501012109	3/4" X 9/16" NIPPLE		01
06	0503011968	3/4" 8R6X-S T ADAPTER WITH SWIVEL NUT		01
07	0501053834	MALE QUICK COUPLER WITH CAP - 1/2 NPT	48	04
08	0511052788	HOSE ASSY		01
08A	0501080700	3/8 X 650 TC-TC HOSE		01
08B	0501080599	3/8 X 650 TC-TR HOSE		01
08C	0501080640	3/8 X 7200 TC-TM HOSE		02
08D	0501080844	3/8 X 5500 TC-TM HOSE		01
08E	0501080898	3/8 X 5150 TC-TM HOSE		01
09	0511051855	SPOUT ASSY	11	01



Item	Code	Description	See page	QT
01	0503032411	HYDRAULIC CYLINDER	47	01
02	0521010780	1.2" X 4.5" COUPLING SHAFT		01
03	0503010523	1/4" X 2" COTTERPIN		02
04	0511018012	HIDRAULIC ADAPTER		01
05	0521010544	1.2" X 4.9" COUPLING SHAFT		01



Item	Code	Description	See page	QT
01	0511069777	CYLINDER CASE ASSY		01
02	0511069778	ROD CILINDER ASSY		01
03	0551019465	TCA 16000 PISTON		01
04	0503014677	2-118 O`RING		01
05	0503010812	7/8" UNF SELF LOCKING NUT		01
06	0503010949	W2-2000-500 PK RING G.E		01
07	0503013920	GASKET 1870-1625		02
08	0551019466	RING SUPPORT		01
09	0503014683	W1-1400-500 RING GUIDE		01
10	0503013914	1870-1250-312B GASKET		01
11	0503013915	D-1250 SCRAPER RING		01
12	0503013918	8-224 BACK-UP RING		01
13	0503013917	O`RING 2-224		01
14	0551016592	MOBILE COVER		01
15	0503010002	1800 GREASE FITTING		02
16	0501038643	ASSEMBLY		01



Item	Code	Description	See page	QT
01	0503011627	MALE QUICK COUPLER AGR 1/2 NPT		01
02	0503011882	MALE QUICK COUPLER CAP		01



www.marchesan.com.br



Technical Publications | Elaboration and Revision
ALESSANDRA PATRICIA KAWAHARA CARRILI