

# PARTS CATALOGUE



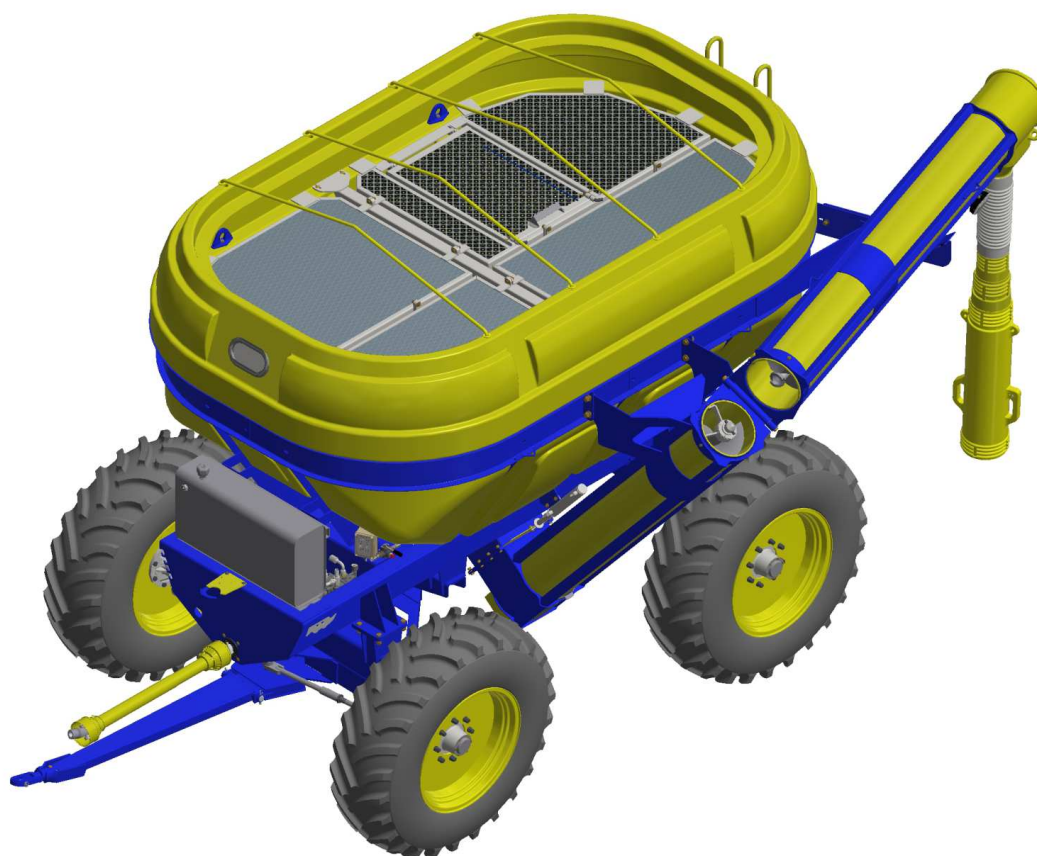
## TRANSHIPMENT

**Code:**

0501092034

**Product:**

TCA 13500



**Series:**

S-0413

**Revision:**

01

**Date Revision:**

OUTUBRO/2017



# PRODUCTS

| <b>Code</b> | <b>Description</b>                 |
|-------------|------------------------------------|
| 0115010048  | TCA 13500 BT S/FR C/ARO S/PN S0413 |
| 0115010046  | TCA 13500 BT S/FR C/PN S-0413      |
| 0115010045  | TCA 13500 SHT C/FR C/ARO S/PN S413 |
| 0115010044  | TCA 13500 SHT C/FR C/PN S-0413     |
| 0115010043  | TCA 13500 SHT S/FR C/ARO S/PN S413 |
| 0115010042  | TCA 13500 SHT S/FR C/PN S-0413     |

## **ATTENTION: IMPORTANT**

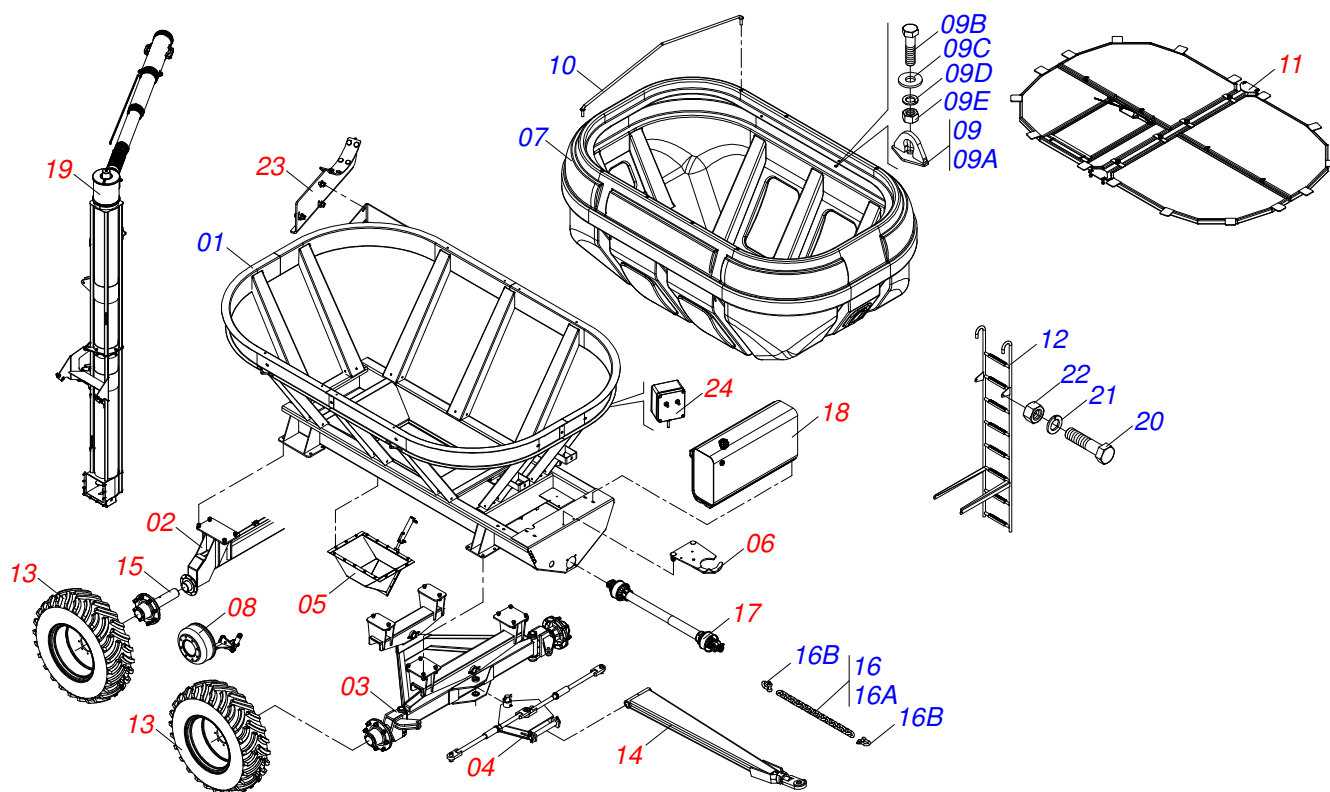
Marchesan S.A. reserves the right to improve and / or modify the technical features of its products, without obligation to do the same with those products already sold and without prior knowledge of the dealer or the consumer.



**MARCHESAN**

# INDEX

|            |                                       |                  |    |
|------------|---------------------------------------|------------------|----|
| 0909093574 | ASSY FRAME - SHT                      | .....            | 1  |
| 0909093588 | FRAME ASSY - BT                       | .....            | 2  |
| 0511044245 | REAR CARRYING-WHEELS                  | .....            | 3  |
| 0511043920 | FRONT CARRYING-WHEELS                 | .....            | 4  |
| 0501056192 | RIGHT CARRYING-WHEELS ASSY            | .....            | 5  |
| 0501056193 | LEFT CARRYING-WHEELS ASSY             | .....            | 6  |
| 0511044246 | PIVOT DRAWBAR ASSY                    | .....            | 7  |
| 0501056253 | MOEGA ASSY                            | .....            | 8  |
| 0503032412 | 15,87 X 25,4 X 380 HYDRAULIC CYLINDER | .....            | 9  |
| 0501056884 | FIXER CARDAN SHAFT                    | .....            | 10 |
| 0501056249 | DRAWBAR COUPLING TRACTOR ASSY         | .....            | 11 |
| 0501053494 | TRACTOR HITCH ASSY                    | .....            | 12 |
| 0501057470 | BRAKE ENSEMBLE                        | (OPTIONAL) ..... | 13 |
| 0511047291 | BRAKE CYLINDER                        | (OPTIONAL) ..... | 14 |
| 0501056194 | REAR CARRYING-WHEELS ASSY             | .....            | 15 |
| 0521051891 | REAR CARRYING-WHEELS ASSY             | (OPTIONAL) ..... | 16 |
| 0503061051 | WHEEL AND TIRE ASSY 18.4 X 30         | (OPTIONAL) ..... | 17 |
| 0503013509 | DRIVE SHAFT                           | .....            | 18 |
| 0501056536 | CONDUCTOR PLOUGH SUPPORT ASSY         | .....            | 19 |
| 0909093575 | SIEVE ASSY                            | .....            | 20 |
| 0909093577 | ASSY CONDUCTOR                        | .....            | 21 |
| 0501057637 | LOWER CONDUCTOR ASSY                  | .....            | 22 |
| 0501057635 | CONDUCTOR LOWER HUB                   | .....            | 23 |
| 0501057638 | UPPER CONDUCTOR ASSY                  | .....            | 24 |
| 0501057633 | SUPPORT HUB                           | .....            | 25 |
| 0501056252 | DISCHARGE SOCKET                      | (OPTIONAL) ..... | 26 |
| 0511052760 | BOCAL OUT OF CEREALS WITH COVERING    | .....            | 27 |
| 0909093585 | HIDRAULIC CIRCUIT - SHT               | .....            | 28 |
| 0909093578 | ELECTRIC CIRCUIT - SHT                | .....            | 29 |
| 0909093590 | HIDRAULIC CIRCUIT - BT                | .....            | 30 |
| 0501056196 | OIL RESERVOIR ASSY                    | .....            | 31 |
| 0501041108 | RETURNING FILTER ASSY                 | .....            | 32 |
| 0501056460 | HYDRAULIC CYLINDER                    | .....            | 33 |
| 0503032411 | HYDRAULIC CYLINDER                    | .....            | 34 |
| 0501053834 | MALE QUICK COUPLER WITH CAP - 1/2 NPT | .....            | 35 |



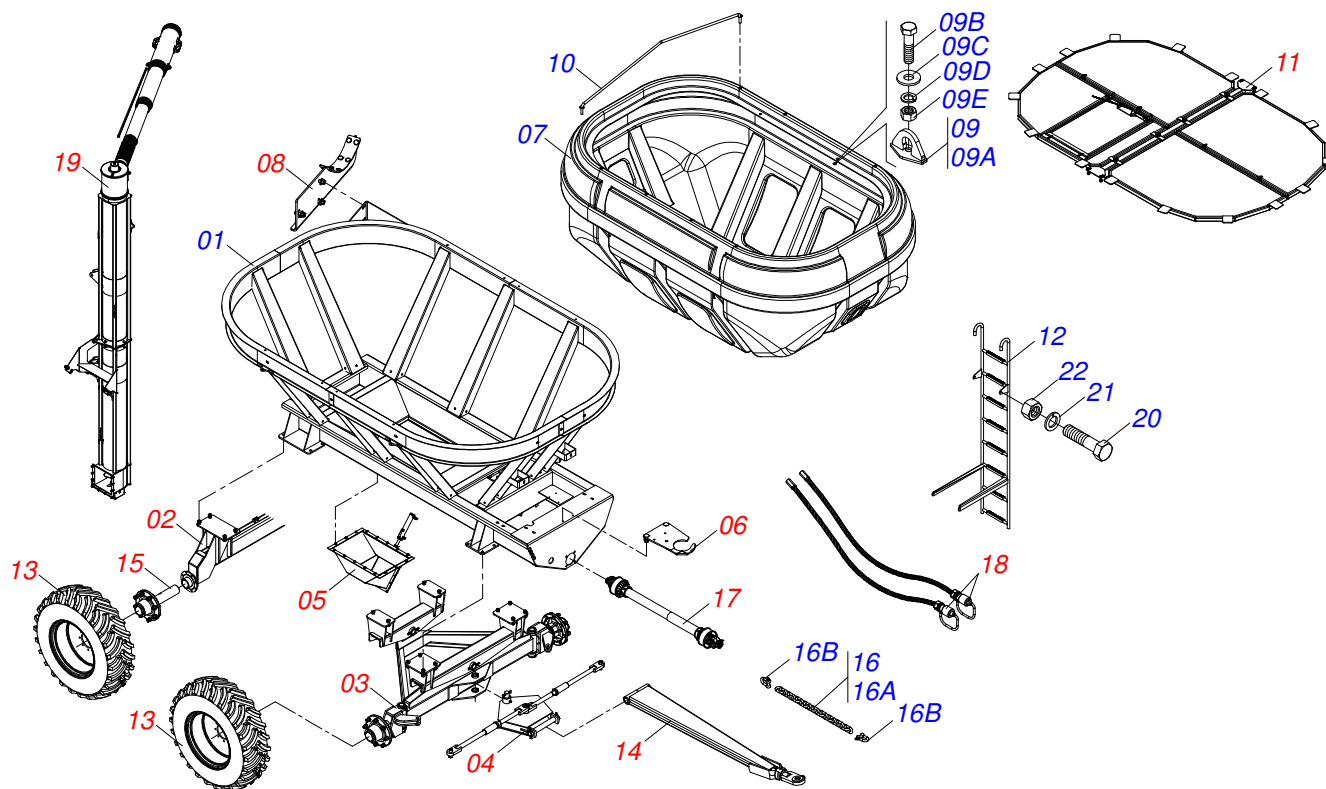
| Item | Code       | Description                     | See page | QT |
|------|------------|---------------------------------|----------|----|
| 01   | 0521063674 | FRAME                           |          | 01 |
| 02   | 0511044245 | REAR CARRYING-WHEELS            | 3        | 01 |
| 03   | 0511043920 | FRONT CARRYING-WHEELS           | 4        | 01 |
| 04   | 0511044246 | PIVOT DRAWBAR ASSY              | 7        | 01 |
| 05   | 0501056253 | MOEGA ASSY                      | 8        | 01 |
| 06   | 0501056884 | FIXER CARDAN SHAFT              | 10       | 01 |
| 07   | 0503061055 | 13500 LITERS TCA 16000 BOX ASSY |          | 01 |
| 08   | 0501057470 | BRAKE ENSEMBLE                  | 13       | 01 |
| 09   | 0511057487 | LIFTING HOOK                    |          | 04 |
| 09A  | 0521066188 | LIFTING HOOK                    |          | 01 |
| 09B  | 0503011243 | 5/8" X 2" BOLT                  |          | 01 |
| 09C  | 0501012140 | FLAT WASHER                     |          | 01 |
| 09D  | 0503010027 | 5/8" SPRING WASHER              |          | 01 |
| 09E  | 0503010013 | 5/8" NUT                        |          | 01 |
| 10   | 0511066537 | SUPPORT CANVAS                  |          | 04 |
| 11   | 0909093575 | SIEVE ASSY                      | 20       | 01 |
| 12   | 0511066533 | LADDER TCA                      |          | 01 |
| 13   | 0503061051 | WHEEL AND TIRE ASSY 18.4 X 30   | 17       | 04 |
| 14   | 0501056249 | DRAWBAR COUPLING TRACTOR ASSY   | 11       | 01 |
| 15   | 0501056194 | REAR CARRYING-WHEELS ASSY       | 15       | 02 |
| 15.  | 0521051891 | REAR CARRYING-WHEELS ASSY       | 16       | 02 |
| 16   | 0511059041 | CURRENT SECURITY                |          | 01 |
| 16A  | 0503014120 | CHAIN                           |          | 01 |
| 16B  | 0503014321 | CABLE STEEL SHACKLE             |          | 02 |
| 17   | 0503013509 | DRIVE SHAFT                     | 18       | 01 |
| 18   | 0909093585 | HIDRAULIC CIRCUIT - SHT         | 28       | 01 |
| 19   | 0909093577 | ASSY CONDUCTOR                  | 21       | 01 |
| 20   | 0503010834 | 1/2 X 1 BOLT                    |          | 04 |
| 21   | 0503010019 | 1/2" SPRING WASHER              |          | 04 |
| 22   | 0503010060 | 1/2" NUT                        |          | 04 |
| 23   | 0501056536 | CONDUCTOR PLOUGH SUPPORT ASSY   | 19       | 01 |



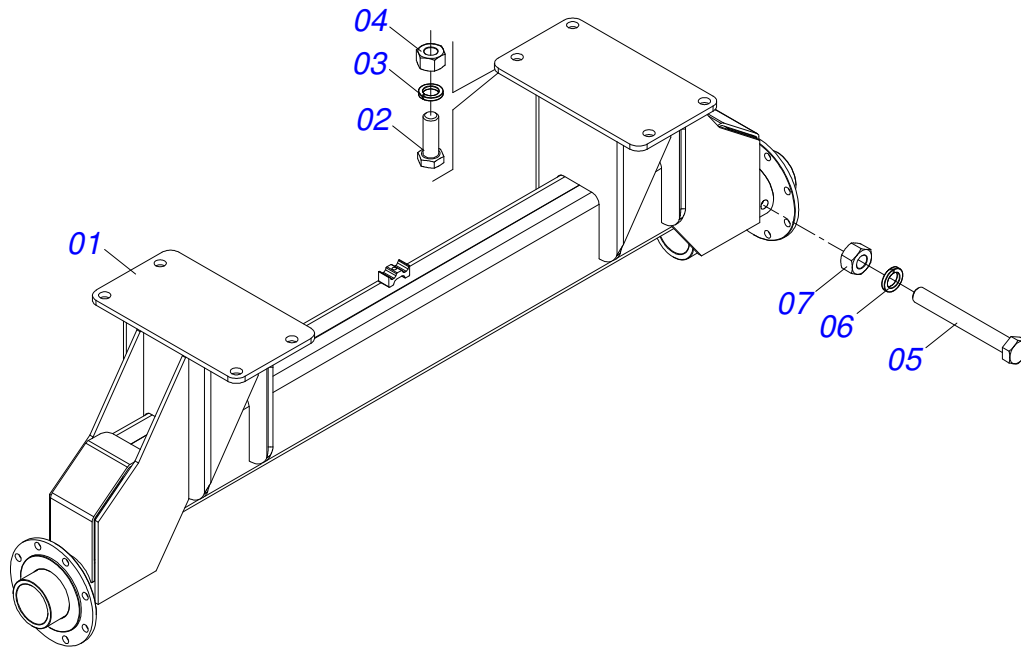
**TCA 13500**  
**ASSY FRAME - SHT**

Page 1  
0909093574

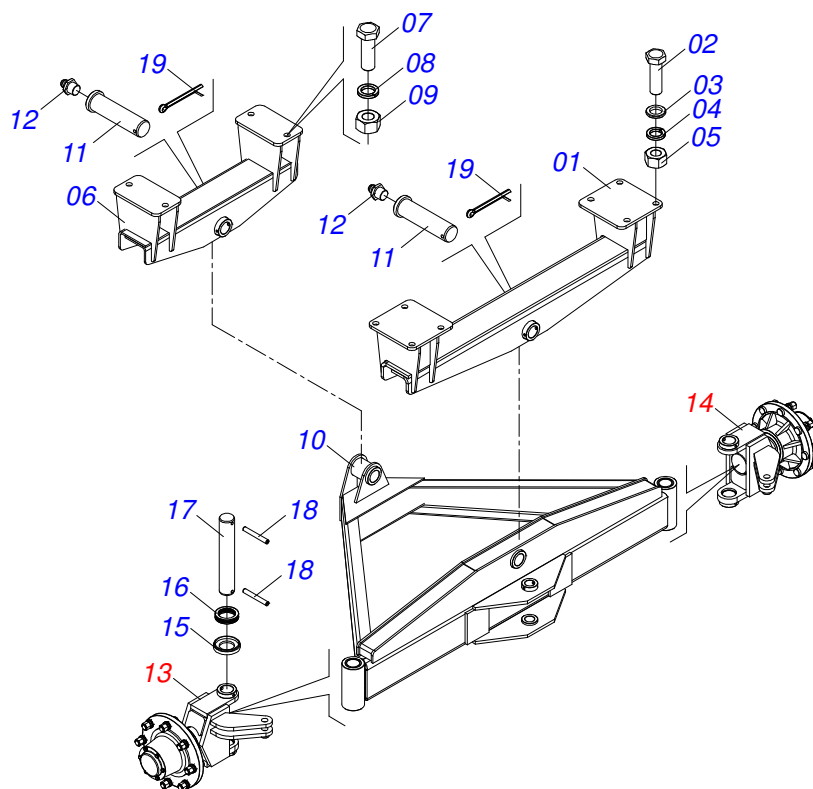
| <b>Item</b> | <b>Code</b> | <b>Description</b>     | <b>See page</b> | <b>QT</b> |
|-------------|-------------|------------------------|-----------------|-----------|
| 24          | 0909093578  | ELECTRIC CIRCUIT - SHT | 29              | 01        |



| Item | Code       | Description                     | See page | QT |
|------|------------|---------------------------------|----------|----|
| 01   | 0521063674 | FRAME                           |          | 01 |
| 02   | 0511044245 | REAR CARRYING-WHEELS            | 3        | 01 |
| 03   | 0511043920 | FRONT CARRYING-WHEELS           | 4        | 01 |
| 04   | 0511044246 | PIVOT DRAWBAR ASSY              | 7        | 01 |
| 05   | 0501056253 | MOEGA ASSY                      | 8        | 01 |
| 06   | 0501056884 | FIXER CARDAN SHAFT              | 10       | 01 |
| 07   | 0503061055 | 13500 LITERS TCA 16000 BOX ASSY |          | 01 |
| 08   | 0501056536 | CONDUCTOR PLOUGH SUPPORT ASSY   | 19       | 01 |
| 09   | 0511057487 | LIFTING HOOK                    |          | 04 |
| 09A  | 0521066188 | LIFTING HOOK                    |          | 01 |
| 09B  | 0503011243 | 5/8" X 2" BOLT                  |          | 01 |
| 09C  | 0501012140 | FLAT WASHER                     |          | 01 |
| 09D  | 0503010027 | 5/8" SPRING WASHER              |          | 01 |
| 09E  | 0503010013 | 5/8" NUT                        |          | 01 |
| 10   | 0511066537 | SUPPORT CANVAS                  |          | 04 |
| 11   | 0909093575 | SIEVE ASSY                      | 20       | 01 |
| 12   | 0511066533 | LADDER TCA                      |          | 01 |
| 13   | 0503061051 | WHEEL AND TIRE ASSY 18.4 X 30   | 17       | 04 |
| 14   | 0501056249 | DRAWBAR COUPLING TRACTOR ASSY   | 11       | 01 |
| 15   | 0501056194 | REAR CARRYING-WHEELS ASSY       | 15       | 02 |
| 15.  | 0521051891 | REAR CARRYING-WHEELS ASSY       | 16       | 02 |
| 16   | 0511059041 | CURRENT SECURITY                |          | 01 |
| 16A  | 0503014120 | CHAIN                           |          | 01 |
| 16B  | 0503014321 | CABLE STEEL SHACKLE             |          | 02 |
| 17   | 0503013509 | DRIVE SHAFT                     | 18       | 01 |
| 18   | 0909093590 | HIDRAULIC CIRCUIT - BT          | 30       | 01 |
| 19   | 0909093577 | ASSY CONDUCTOR                  | 21       | 01 |
| 20   | 0503010834 | 1/2 X 1 BOLT                    |          | 04 |
| 21   | 0503010019 | 1/2" SPRING WASHER              |          | 04 |
| 22   | 0503010060 | 1/2" NUT                        |          | 04 |

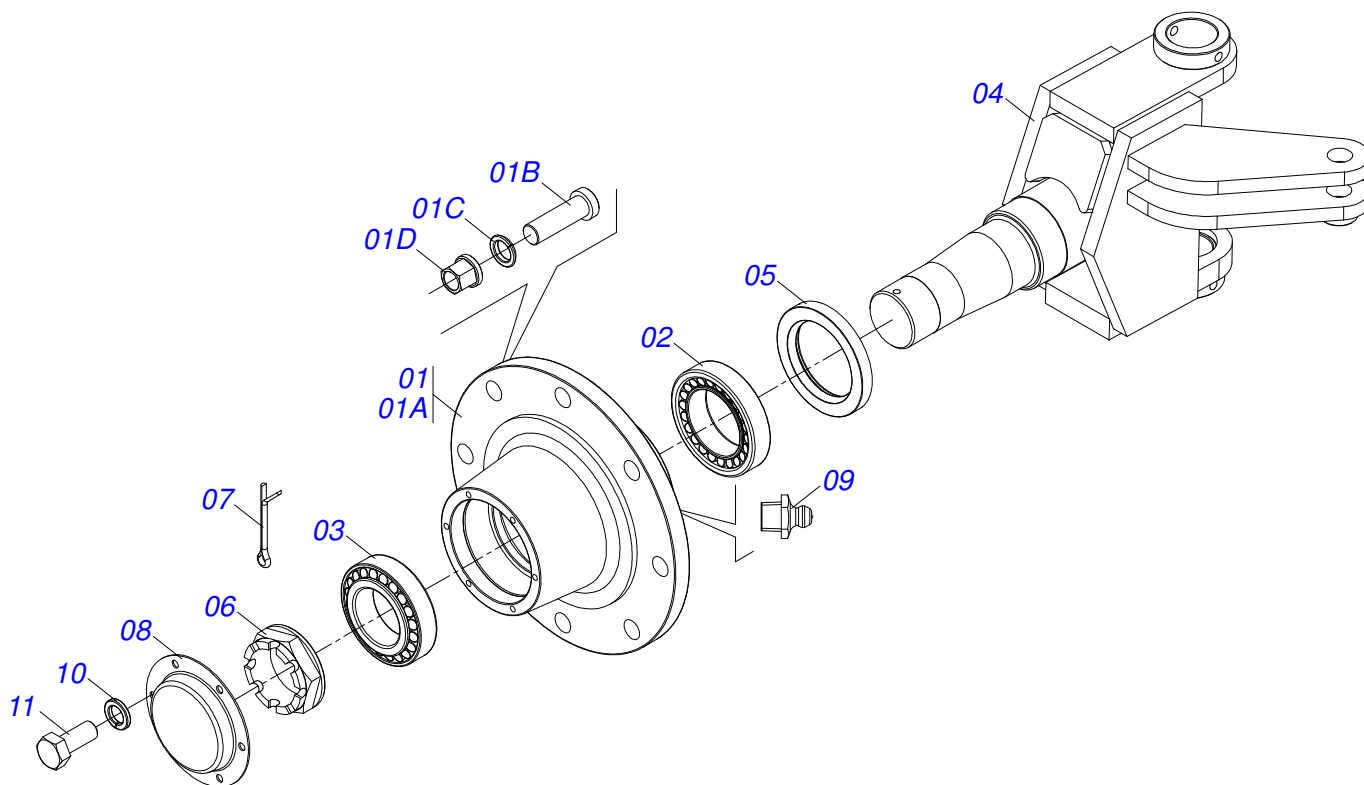


| Item | Code       | Description               | See page | QT |
|------|------------|---------------------------|----------|----|
| 001  | 0511066423 | REAR CARRYING-WHEELS AXLE |          | 01 |
| 002  | 0501010125 | 3/4" X 2-1/2" BOLT        |          | 08 |
| 003  | 0503010023 | 3/4" SPRING WASHER        |          | 08 |
| 004  | 0503010014 | 3/4" NUT                  |          | 08 |
| 005  | 0503011198 | C3/4" X 6" SCREW          |          | 02 |
| 006  | 0503010023 | 3/4" SPRING WASHER        |          | 02 |
| 007  | 0503010014 | 3/4" NUT                  |          | 02 |



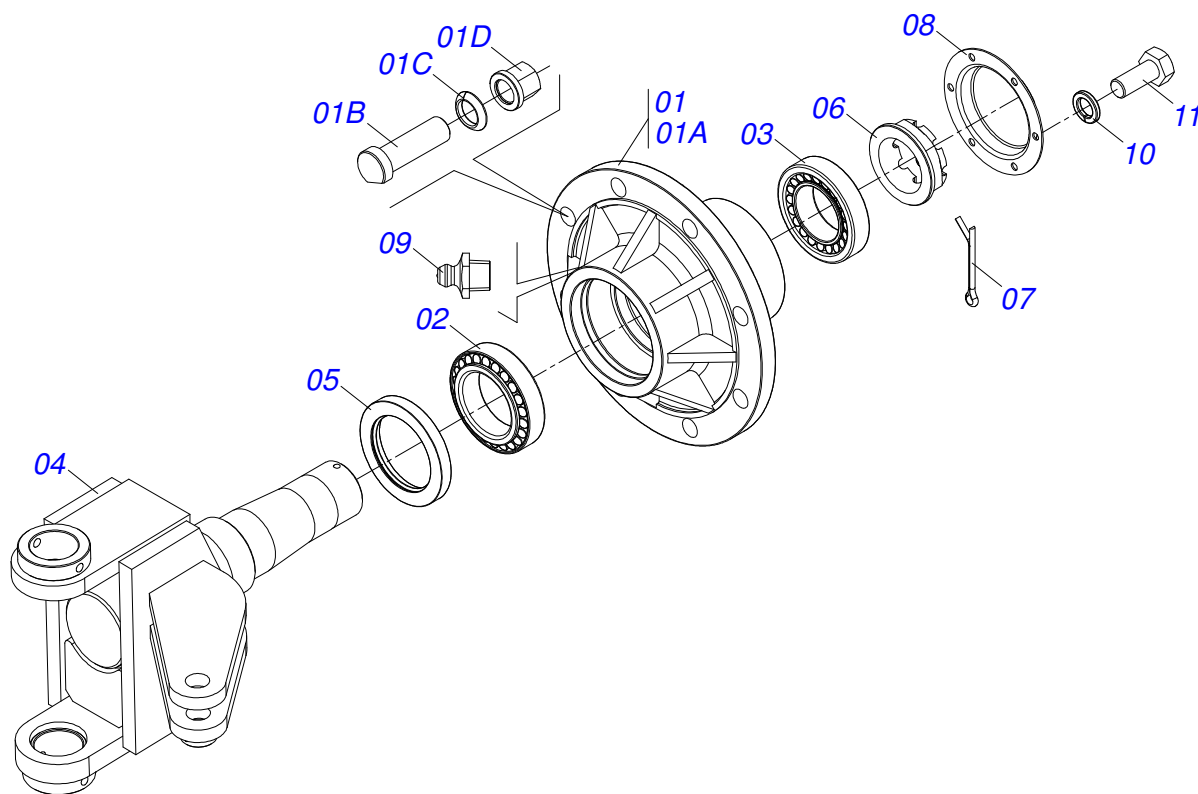
| Item | Code       | Description                | See page | QT |
|------|------------|----------------------------|----------|----|
| 001  | 0511066424 | UPPER ROCKER ARM           |          | 01 |
| 002  | 0501010125 | 3/4" X 2-1/2" BOLT         |          | 08 |
| 003  | 0531015265 | FLAT WASHER                |          | 08 |
| 004  | 0503010023 | 3/4" SPRING WASHER         |          | 08 |
| 005  | 0503010014 | 3/4" NUT                   |          | 08 |
| 006  | 0511066425 | STABILIZER ROCKER ARM      |          | 01 |
| 007  | 0501010125 | 3/4" X 2-1/2" BOLT         |          | 04 |
| 008  | 0503010023 | 3/4" SPRING WASHER         |          | 04 |
| 009  | 0503010014 | 3/4" NUT                   |          | 04 |
| 010  | 0511066426 | LOWER ROCKER ARM           |          | 01 |
| 011  | 0541016105 | PLUGER 50,8MM X 183MM      |          | 02 |
| 012  | 0503010002 | 1800 GREASE FITTING        |          | 02 |
| 013  | 0501056192 | RIGHT CARRYING-WHEELS ASSY | 5        | 01 |
| 014  | 0501056193 | LEFT CARRYING-WHEELS ASSY  | 6        | 01 |
| 015  | 0541016129 | ROLLER BEARING HOLDER      |          | 02 |
| 016  | 0503012822 | 51111 ROLLER BEARING       |          | 02 |
| 017  | 0541016130 | AXLE                       |          | 02 |
| 018  | 0503012553 | 10MM X 80MM SPRING PIN     |          | 04 |
| 019  | 0503010073 | 3/8 X 3-1/2 COTTERPIN      |          | 02 |



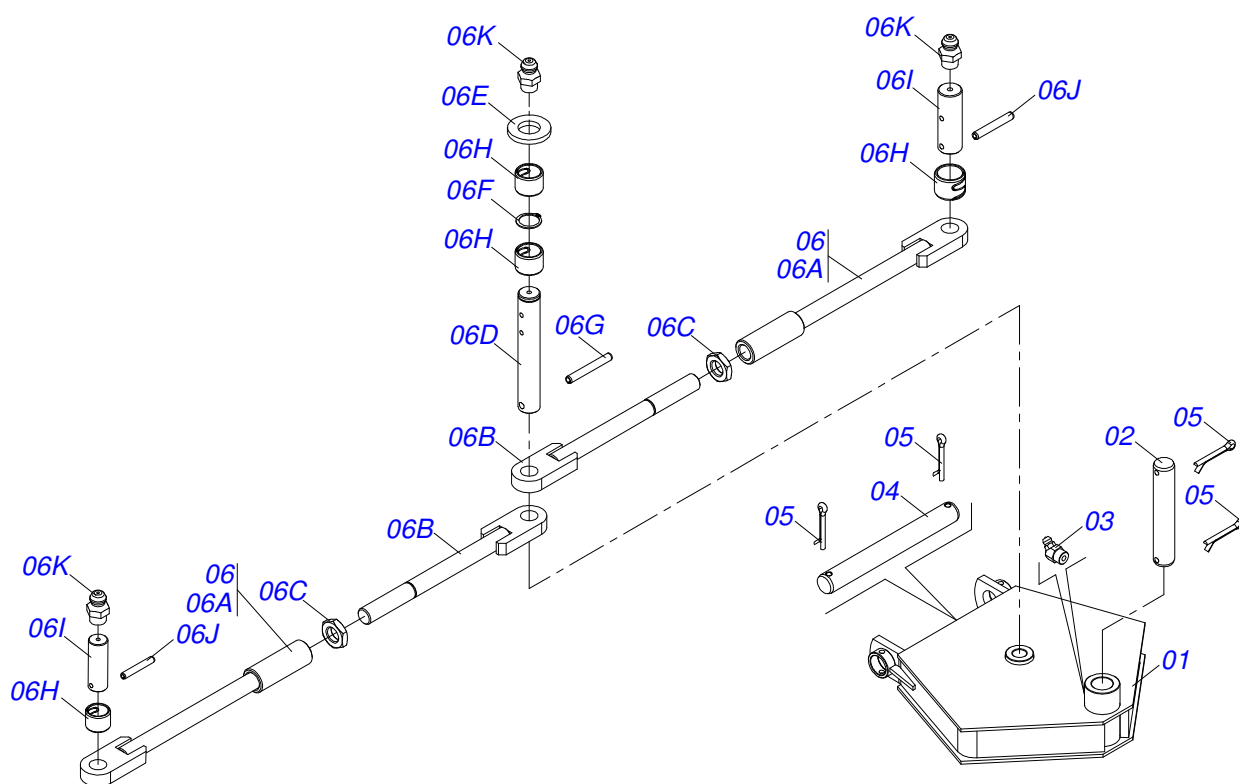


| Item | Code       | Description                   | See page | QT |
|------|------------|-------------------------------|----------|----|
| 01   | 0501110735 | HUB CARRYING WHEELS WITH BOLT |          | 01 |
| 01A  | 0502011229 | CARRYING WHEEL HUB            |          | 01 |
| 01B  | 0503011339 | M22 X 1,5 X 72 BOLT           |          | 08 |
| 01C  | 0503011340 | SPHERICAL SPRING WASHER       |          | 08 |
| 01D  | 0503011341 | M22 X 0.6" NUT GR8 NUT        |          | 08 |
| 02   | 0503010059 | 33287/33462 ROLLER BEARING    |          | 01 |
| 03   | 0503010007 | 3982/3920 ROLLER BEARING      |          | 01 |
| 04   | 0511066427 | SHAFT SLEEVE RIGHT            |          | 01 |
| 05   | 0503010050 | SEAL 00085-B                  |          | 01 |
| 06   | 0502040080 | 2.1/2" SLOTTED NUT            |          | 01 |
| 07   | 0503011345 | 1/4" X 3-1/2" COTTERPIN       |          | 01 |
| 08   | 0541013225 | WHEEL BOX COVER               |          | 01 |
| 09   | 0503010002 | 1800 GREASE FITTING           |          | 01 |
| 10   | 0503011444 | SPRING WASHER                 |          | 06 |
| 11   | 0503010240 | 5/16" X 3/4" BOLT             |          | 06 |

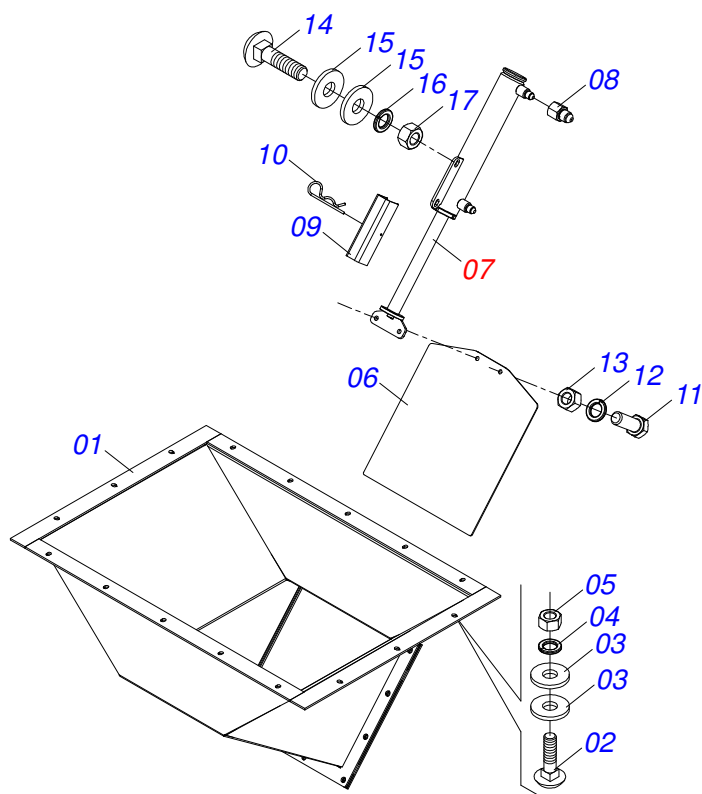
LEFT CARRYING-WHEELS ASSY



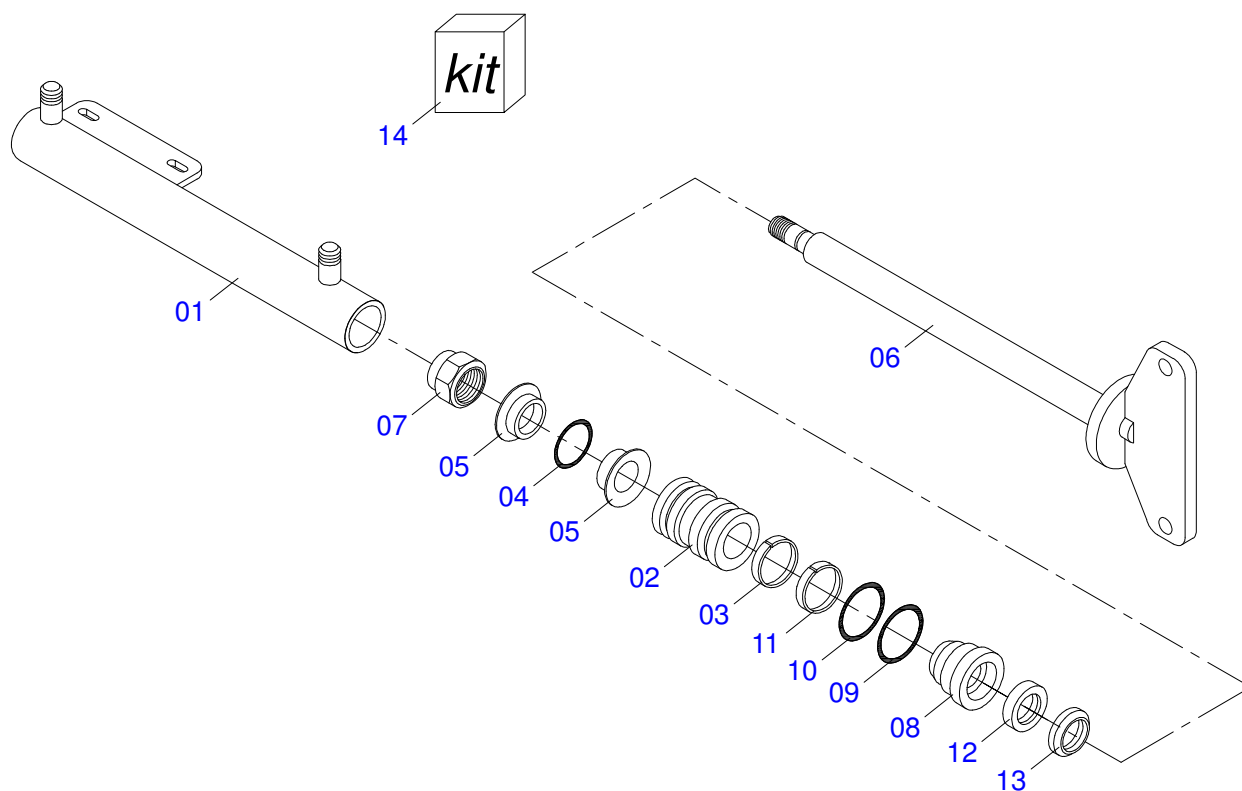
| Item | Code       | Description                   | See page | QT |
|------|------------|-------------------------------|----------|----|
| 01   | 0501110735 | HUB CARRYING WHEELS WITH BOLT |          | 01 |
| 01A  | 0502011229 | CARRYING WHEEL HUB            |          | 01 |
| 01B  | 0503011339 | M22 X 1,5 X 72 BOLT           |          | 08 |
| 01C  | 0503011340 | SPHERICAL SPRING WASHER       |          | 08 |
| 01D  | 0503011341 | M22 X 0.6" NUT GR8 NUT        |          | 08 |
| 02   | 0503010059 | 33287/33462 ROLLER BEARING    |          | 01 |
| 03   | 0503010007 | 3982/3920 ROLLER BEARING      |          | 01 |
| 04   | 0511066429 | LEFT AXLE SLEEVE              |          | 01 |
| 05   | 0503010050 | SEAL 00085-B                  |          | 01 |
| 06   | 0502040080 | 2.1/2" SLOTTED NUT            |          | 01 |
| 07   | 0503011345 | 1/4" X 3-1/2" COTTERPIN       |          | 01 |
| 08   | 0541013225 | WHEEL BOX COVER               |          | 01 |
| 09   | 0503010002 | 1800 GREASE FITTING           |          | 01 |
| 10   | 0503011444 | SPRING WASHER                 |          | 06 |
| 11   | 0503010240 | 5/16" X 3/4" BOLT             |          | 06 |



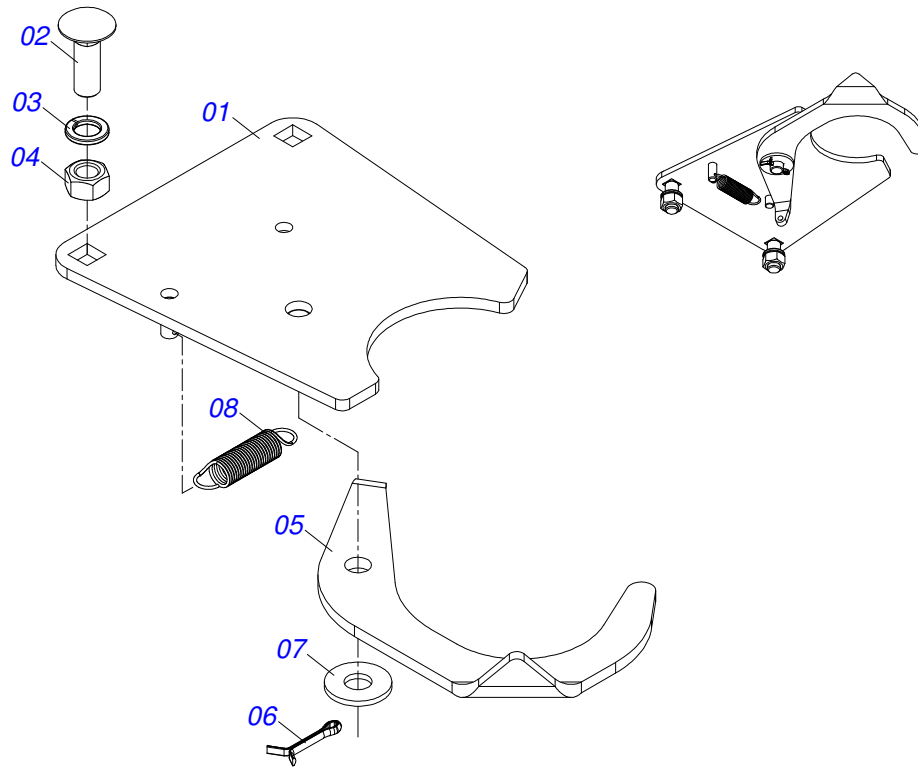
| Item | Code       | Description                     | See page | QT |
|------|------------|---------------------------------|----------|----|
| 01   | 0511066505 | DRAWBAR ARTICULACION ASSY       |          | 01 |
| 02   | 0541016149 | 38,10MM X 216MM AXLE            |          | 01 |
| 03   | 0503010003 | 1845 GREASE FITTING             |          | 01 |
| 04   | 0541016138 | 38,10MM X 326MM AXLE            |          | 01 |
| 05   | 0503010073 | 3/8 X 3-1/2 COTTERPIN           |          | 04 |
| 06   | 0511043628 | DRAWBAR TURNBUCKLE              |          | 01 |
| 06A  | 0511066465 | DRAWBAR LARGER TURNBUCKLE       |          | 02 |
| 06B  | 0511066503 | TURNBUCKLE SMALLER DRAWBAR      |          | 02 |
| 06C  | 0501019927 | COUNTERNUT 1.1/4 UNC            |          | 02 |
| 06D  | 0541016141 | TURNBUCKLE PIVOT SHAFT          |          | 01 |
| 06E  | 0501016545 | FLAT WASHER                     |          | 01 |
| 06F  | 0503010406 | 501025 CLAMPING RING (FOR AXLE) |          | 01 |
| 06G  | 0503011877 | 0.3" X 2.4" SPRING PIN          |          | 01 |
| 06H  | 0511019921 | 1.3" X 0.1" X 1" SLEEVE         |          | 04 |
| 06I  | 0541016132 | TURNBUCKLE AXLE                 |          | 02 |
| 06J  | 0503010292 | 0.2" X 1.6" SPRING PIN          |          | 02 |
| 06K  | 0503010691 | 1/4" GREASE FITTING             |          | 03 |



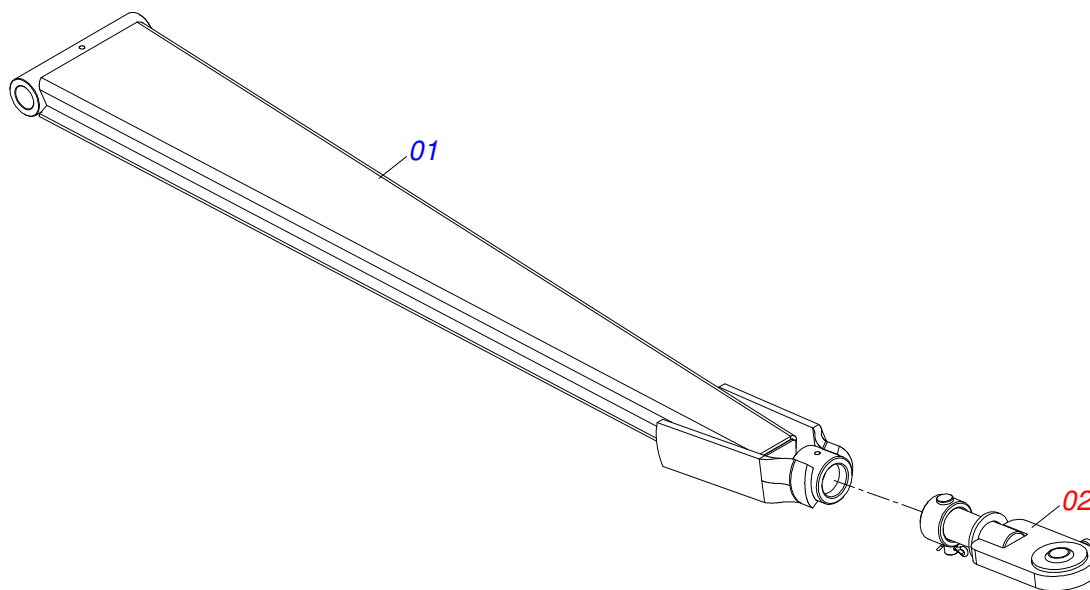
| Item | Code       | Description                           | See page | QT |
|------|------------|---------------------------------------|----------|----|
| 01   | 0511066514 | MOEGA INOX                            |          | 01 |
| 02   | 0501010942 | 3/8" X 1-1/4" BOLT                    |          | 16 |
| 03   | 0501010984 | FLAT WASHER                           |          | 32 |
| 04   | 0503010025 | 3/8" SPRING WASHER                    |          | 16 |
| 05   | 0503010026 | 3/8" NUT                              |          | 16 |
| 06   | 0541016295 | SLUICE VALVE DISCHARGE                |          | 01 |
| 07   | 0503032412 | 15,87 X 25,4 X 380 HYDRAULIC CYLINDER | 9        | 01 |
| 08   | 0511018012 | HIDRAULIC ADAPTER                     |          | 01 |
| 09   | 0551019995 | HIDRAULIC CILINDER LOCK               |          | 01 |
| 10   | 0503030012 | HAIR PIN                              |          | 01 |
| 11   | 0503010237 | 3/8" X 1" BOLT                        |          | 02 |
| 12   | 0503010025 | 3/8" SPRING WASHER                    |          | 02 |
| 13   | 0503010026 | 3/8" NUT                              |          | 02 |
| 14   | 0501010942 | 3/8" X 1-1/4" BOLT                    |          | 02 |
| 15   | 0501010984 | FLAT WASHER                           |          | 04 |
| 16   | 0503010025 | 3/8" SPRING WASHER                    |          | 02 |
| 17   | 0503010026 | 3/8" NUT                              |          | 02 |



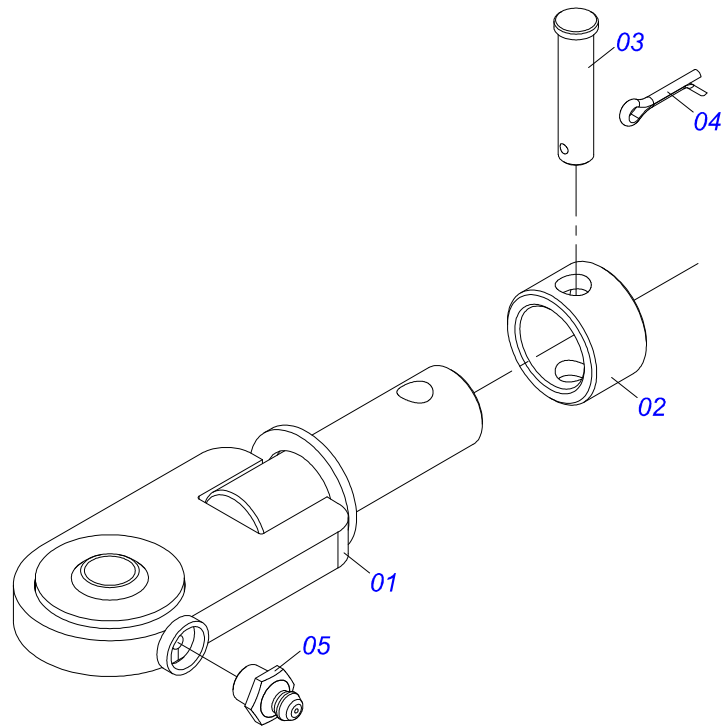
| Item | Code       | Description                     | See page | QT |
|------|------------|---------------------------------|----------|----|
| 01   | 0511069925 | CYLINDER CASE                   |          | 01 |
| 02   | 0551019990 | 31,75 X 50,80 X 39,40 PISTON    |          | 01 |
| 03   | 0503010949 | W2-2000-500 PK RING G.E         |          | 01 |
| 04   | 0503014677 | 2-118 O`RING                    |          | 01 |
| 05   | 0503013920 | GASKET 1870-1625                |          | 02 |
| 06   | 0511069926 | 31,75 X 31,70 X 419 ROD         |          | 01 |
| 07   | 0503010812 | 7/8" UNF SELF LOCKING NUT       |          | 01 |
| 08   | 0551019988 | RING SUPPORT 31,75 X 50,80 X 47 |          | 01 |
| 09   | 0503013918 | 8-224 BACK-UP RING              |          | 01 |
| 10   | 0503013917 | O`RING 2-224                    |          | 01 |
| 11   | 0503014683 | W1-1400-500 RING GUIDE          |          | 01 |
| 12   | 0503013914 | 1870-1250-312B GASKET           |          | 01 |
| 13   | 0503013915 | D-1250 SCRAPER RING             |          | 01 |
| 14   | 0501038643 | ASSEMBLY                        |          |    |



| Item | Code       | Description                         | See page | QT |
|------|------------|-------------------------------------|----------|----|
| 01   | 0511067332 | CARDAN LARGER FIXER                 |          | 01 |
| 02   | 0501010243 | 1/2" X 1-1/2" BOLT                  |          | 02 |
| 03   | 0503011440 | SPRING WASHER                       |          | 02 |
| 04   | 0503012682 | 1/2" BSW NUT                        |          | 02 |
| 05   | 0541019756 | CARDAN SMALLE FIXER                 |          | 01 |
| 06   | 0503010257 | 1/8" X 1" COTTERPIN                 |          | 01 |
| 07   | 0511017302 | FLAT WASHER                         |          | 01 |
| 08   | 0503030198 | 0.6" X 2.4" X 0.1" EXTENSION SPRING |          | 01 |

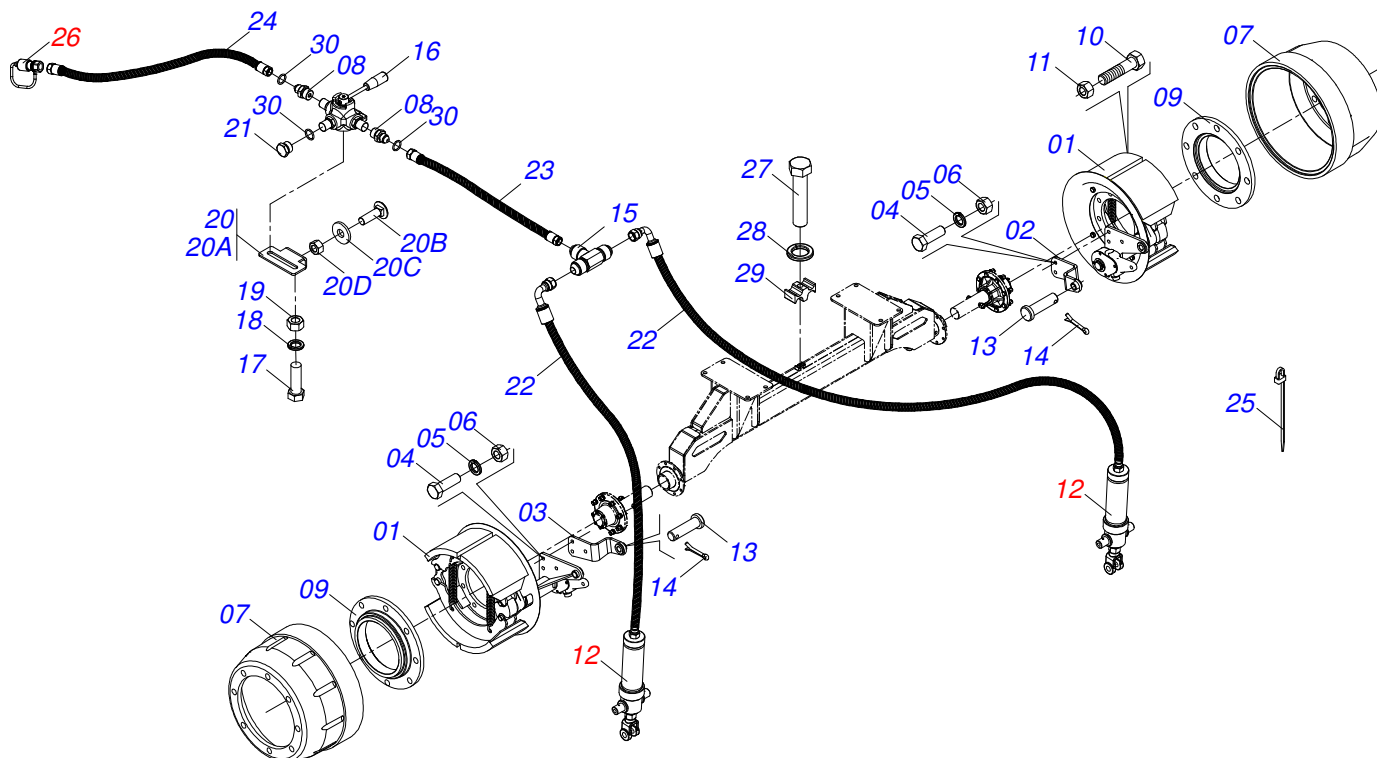


| Item | Code       | Description        | See page | QT |
|------|------------|--------------------|----------|----|
| 01   | 0511066430 | DRAWBAR            |          | 01 |
| 02   | 0501053494 | TRACTOR HITCH ASSY | 12       | 01 |



| Item | Code       | Description            | See page | QT |
|------|------------|------------------------|----------|----|
| 001  | 0511062245 | TRACTOR HITCH ASSY     |          | 01 |
| 002  | 0521010681 | BUSHING COUPLING BODY  |          | 01 |
| 003  | 0521010639 | COUPLING SHAFT         |          | 01 |
| 004  | 0503010571 | 1/4" X 1.1/2 COTTERPIN |          | 01 |
| 005  | 0503010002 | 1800 GREASE FITTING    |          | 01 |





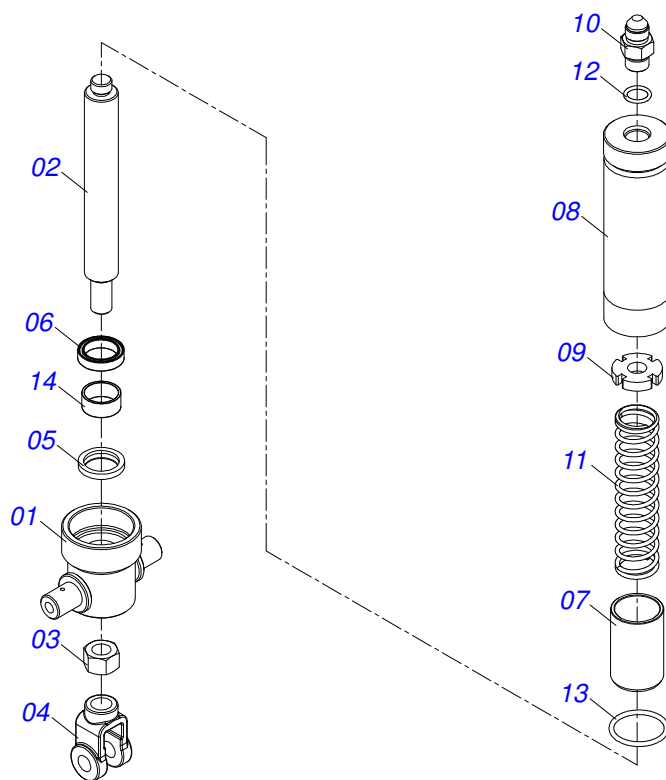
| Item | Code       | Description                       | See page | QT |
|------|------------|-----------------------------------|----------|----|
| 01   | 0511068267 | BRAKE WITH SUPORTE                |          | 01 |
| 02   | 0511068268 | MOBILE RIGHT SUPPORT              |          | 01 |
| 03   | 0521067069 | MOBILE LEFT SUPPORT               |          | 01 |
| 04   | 0503010920 | 1/2" X 1.1/2" BOLT                |          | 06 |
| 05   | 0503010019 | 1/2" SPRING WASHER                |          | 06 |
| 06   | 0503010060 | 1/2" NUT                          |          | 06 |
| 07   | 0503014381 | BRAKE DRUM                        |          | 02 |
| 08   | 0511010111 | 7/8" NIPPLE                       |          | 02 |
| 09   | 0551013773 | FLANGE GUIDE BRAKE DRUM           |          | 02 |
| 10   | 0503010232 | 5/8" X 1.3/4" BOLT                |          | 16 |
| 11   | 0503012412 | 5/8 UNC SELF LOCKING NUT          |          | 16 |
| 12   | 0511047291 | BRAKE CYLINDER                    | 14       | 02 |
| 13   | 0551012464 | JUNCTION SHAFT                    |          | 02 |
| 14   | 0503010747 | 5/32" X 3/4" COTTERPIN            |          | 02 |
| 15   | 0503011271 | 3/4" UNF "T" CONNECTION T 3 SIDES |          | 01 |
| 16   | 0503060069 | VALVE ASSY                        |          | 01 |
| 17   | 0503010751 | C3/8" X 1.1/4" HEX BOLT G.5       |          | 02 |
| 18   | 0503010025 | 3/8" SPRING WASHER                |          | 02 |
| 19   | 0503010026 | 3/8" NUT                          |          | 02 |
| 20   | 0511053860 | VALVE SUPPORT                     |          | 01 |
| 20A  | 0561019938 | FIXATEUR                          |          | 01 |
| 20B  | 0501010942 | 3/8" X 1-1/4" BOLT                |          | 01 |
| 20C  | 0501010984 | FLAT WASHER                       |          | 01 |
| 20D  | 0503010026 | 3/8" NUT                          |          | 01 |
| 21   | 0501015337 | PLUG                              |          | 01 |
| 22   | 0501080485 | 3/8" X 1100 TR-TC HOSE            |          | 02 |
| 23   | 0501080379 | TR-TR HOSE ASSY                   |          | 01 |
| 24   | 0501080361 | 3/8" X 157" TR-TM HOSE            |          | 01 |
| 25   | 0503010267 | NYLON CLAMP                       |          | 05 |
| 26   | 0503011627 | MALE QUICK COUPLER AGR 1/2 NPT    |          | 01 |
| 27   | 0502012702 | BODY SUPPORT CLAMP                |          | 01 |



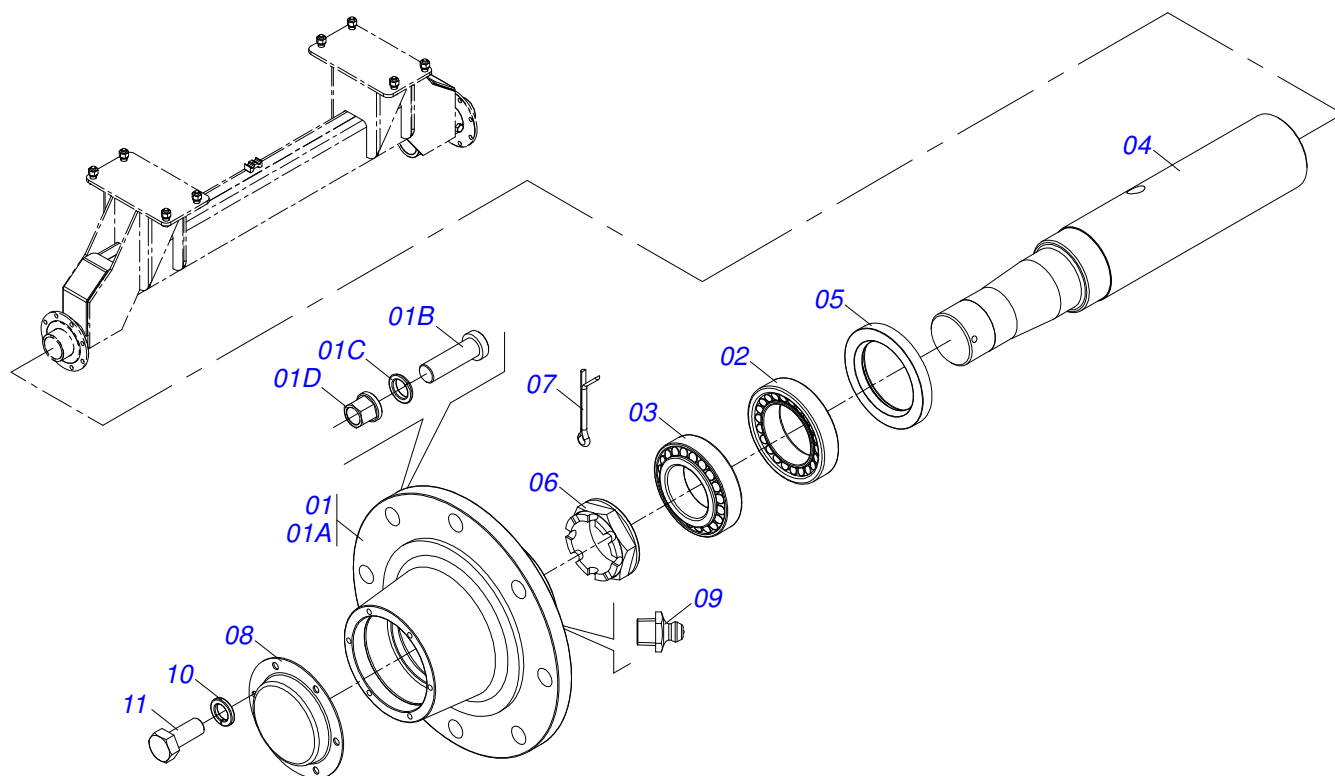
**BRAKE ENSEMBLE (OPTIONAL)**

0501057470

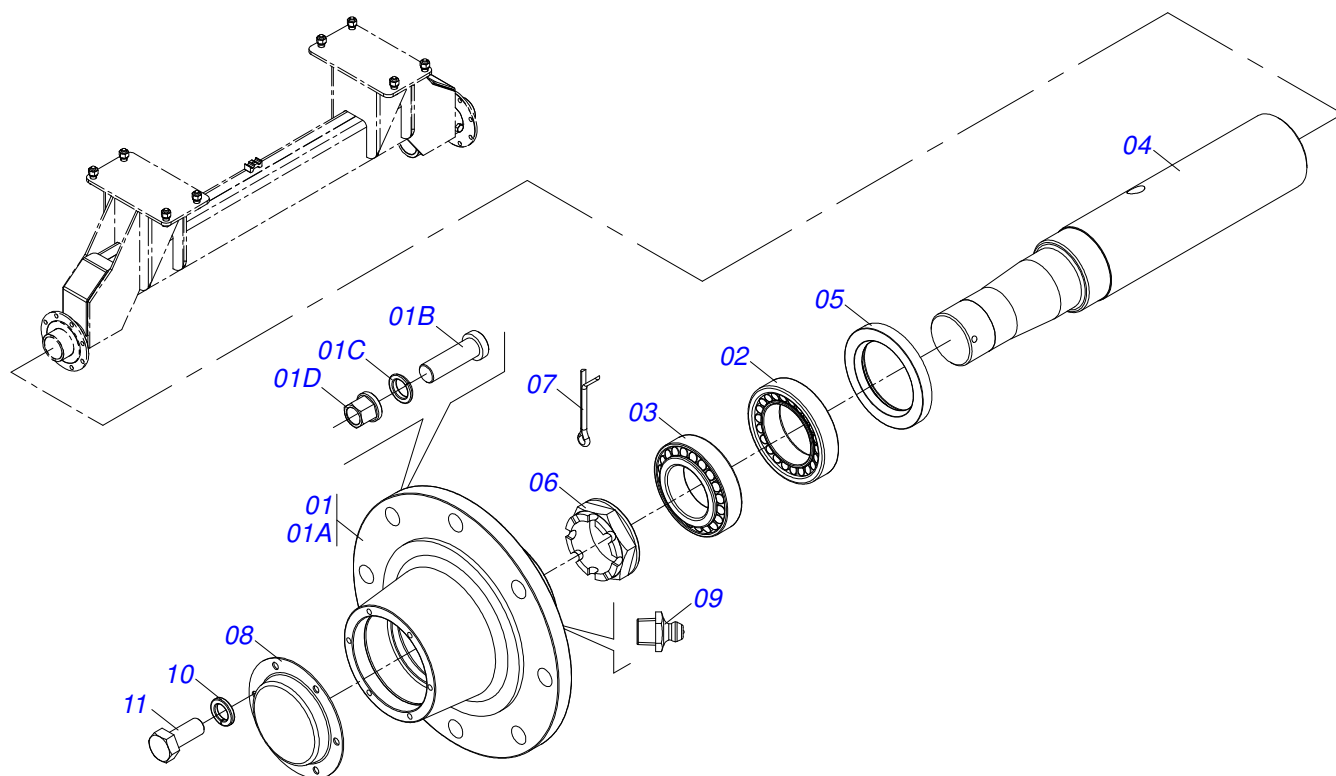
| Item | Code       | Description                     | See page | QT |
|------|------------|---------------------------------|----------|----|
| 28   | 0503012555 | SCREW 7/16 UNC X 2 CS RT G.7 ZN |          | 01 |
| 29   | 0503010180 | 7/16" SPRING WASHER             |          | 01 |
| 30   | 0503010045 | O'RING                          |          | 03 |



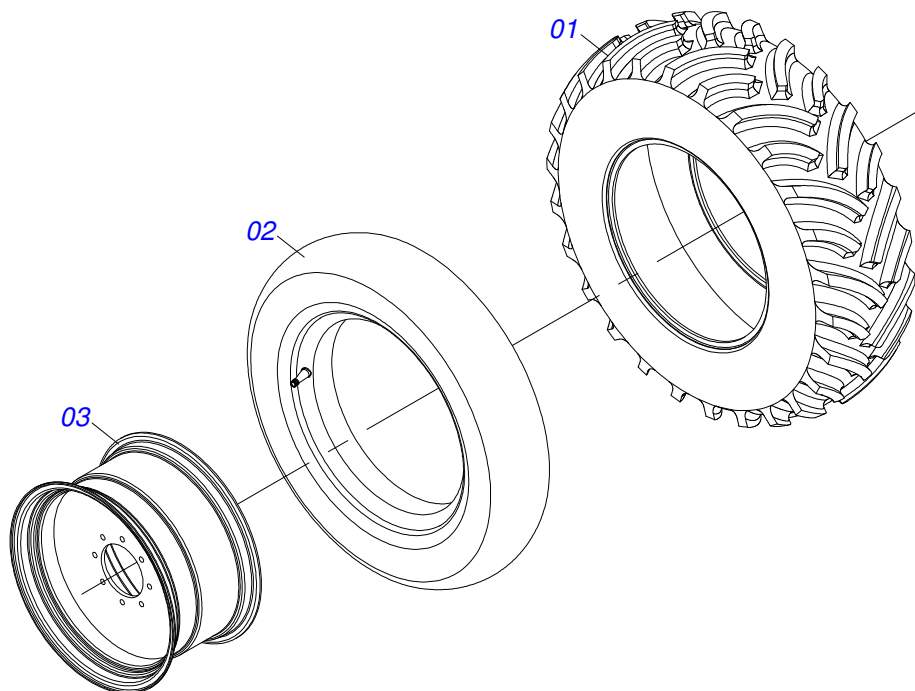
| Item | Code       | Description            | See page | QT |
|------|------------|------------------------|----------|----|
| 01   | 0511069986 | MOBILE COVER           |          | 01 |
| 02   | 0551019765 | CYLINDER HEAD BODY     |          | 01 |
| 03   | 0503010260 | M16 X 0.6" NUT         |          | 01 |
| 04   | 0503014233 | FORK                   |          | 01 |
| 05   | 0503014965 | RING                   |          | 01 |
| 06   | 0503014964 | PISTON                 |          | 01 |
| 07   | 0551019860 | CYLINDER SUPPORT GLOVE |          | 01 |
| 08   | 0511069985 | BRAKE CYLINDER SHIRT   |          | 01 |
| 09   | 0551019764 | PISTON                 |          | 01 |
| 10   | 0501010617 | 3/4" NIPPLE            |          | 01 |
| 11   | 0503032877 | SPRING                 |          | 01 |
| 12   | 0503010190 | 2-114 N 3006-9B O'RING |          | 01 |
| 13   | 0503010285 | 2-222 N 3006-9B O'RING |          | 01 |
| 14   | 0503014966 | RING                   |          | 01 |



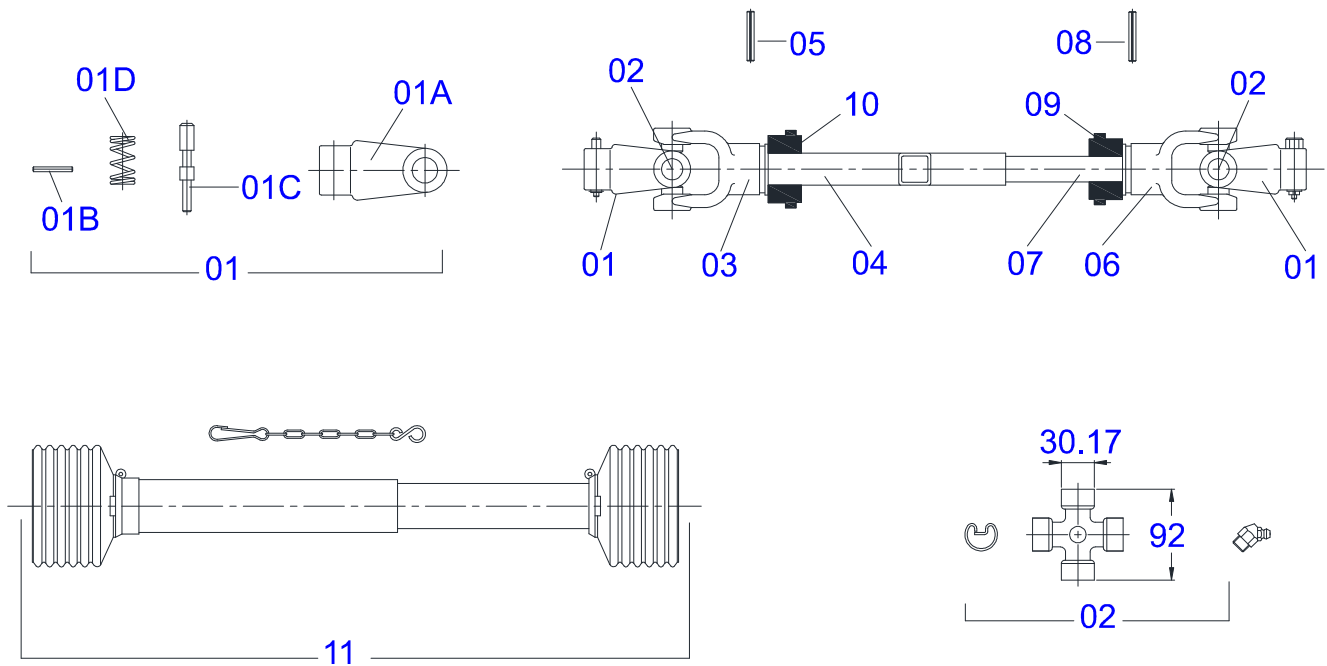
| Item | Code       | Description                   | See page | QT |
|------|------------|-------------------------------|----------|----|
| 01   | 0501110735 | HUB CARRYING WHEELS WITH BOLT |          | 01 |
| 01A  | 0502011229 | CARRYING WHEEL HUB            |          | 01 |
| 01B  | 0503011339 | M22 X 1,5 X 72 BOLT           |          | 08 |
| 01C  | 0503011340 | SPHERICAL SPRING WASHER       |          | 08 |
| 01D  | 0503011341 | M22 X 0.6" NUT GR8 NUT        |          | 08 |
| 02   | 0503010007 | 3982/3920 ROLLER BEARING      |          | 01 |
| 03   | 0503010059 | 33287/33462 ROLLER BEARING    |          | 01 |
| 04   | 0541016099 | POINT AXIS REAR               |          | 01 |
| 05   | 0503010050 | SEAL 00085-B                  |          | 01 |
| 06   | 0502040080 | 2.1/2" SLOTTED NUT            |          | 01 |
| 07   | 0503011345 | 1/4" X 3-1/2" COTTERPIN       |          | 01 |
| 08   | 0541013225 | WHEEL BOX COVER               |          | 01 |
| 09   | 0503010002 | 1800 GREASE FITTING           |          | 01 |
| 10   | 0503011444 | SPRING WASHER                 |          | 06 |
| 11   | 0503010240 | 5/16" X 3/4" BOLT             |          | 06 |



| Item | Code       | Description                | See page | QT |
|------|------------|----------------------------|----------|----|
| 01   | 0501110879 | WHEELED WITH SCREW         |          | 01 |
| 01A  | 0502011229 | CARRYING WHEEL HUB         |          | 01 |
| 01B  | 0503014384 | SCREW                      |          | 08 |
| 01C  | 0503011340 | SPHERICAL SPRING WASHER    |          | 08 |
| 01D  | 0503011341 | M22 X 0.6" NUT GR8 NUT     |          | 08 |
| 02   | 0503010059 | 33287/33462 ROLLER BEARING |          | 01 |
| 03   | 0503010007 | 3982/3920 ROLLER BEARING   |          | 01 |
| 04   | 0541016099 | POINT AXIS REAR            |          | 01 |
| 05   | 0503010050 | SEAL 00085-B               |          | 01 |
| 06   | 0502040080 | 2.1/2" SLOTTED NUT         |          | 01 |
| 07   | 0503011345 | 1/4" X 3-1/2" COTTERPIN    |          | 01 |
| 08   | 0541013225 | WHEEL BOX COVER            |          | 01 |
| 09   | 0503010002 | 1800 GREASE FITTING        |          | 01 |
| 10   | 0503011444 | SPRING WASHER              |          | 06 |
| 11   | 0503010240 | 5/16" X 3/4" BOLT          |          | 06 |

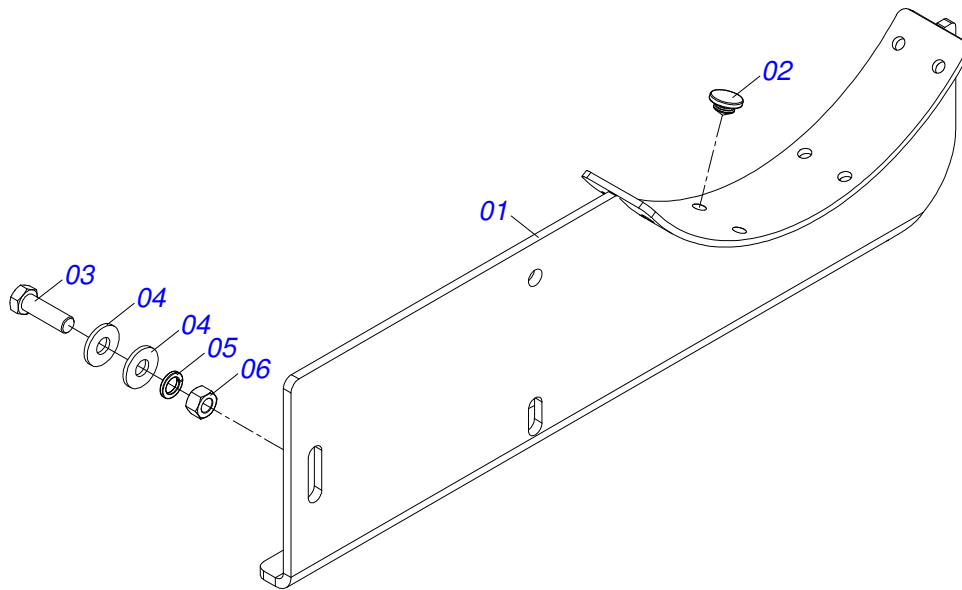


| Item | Code       | Description         | See page | QT |
|------|------------|---------------------|----------|----|
| 001  | 0503013507 | CANVAS TIRE         |          | 01 |
| 002  | 0503013508 | 18.4-30 INNER TIRE  |          | 01 |
| 003  | 0503032413 | DW 16.30 HOOP WHEEL |          | 01 |



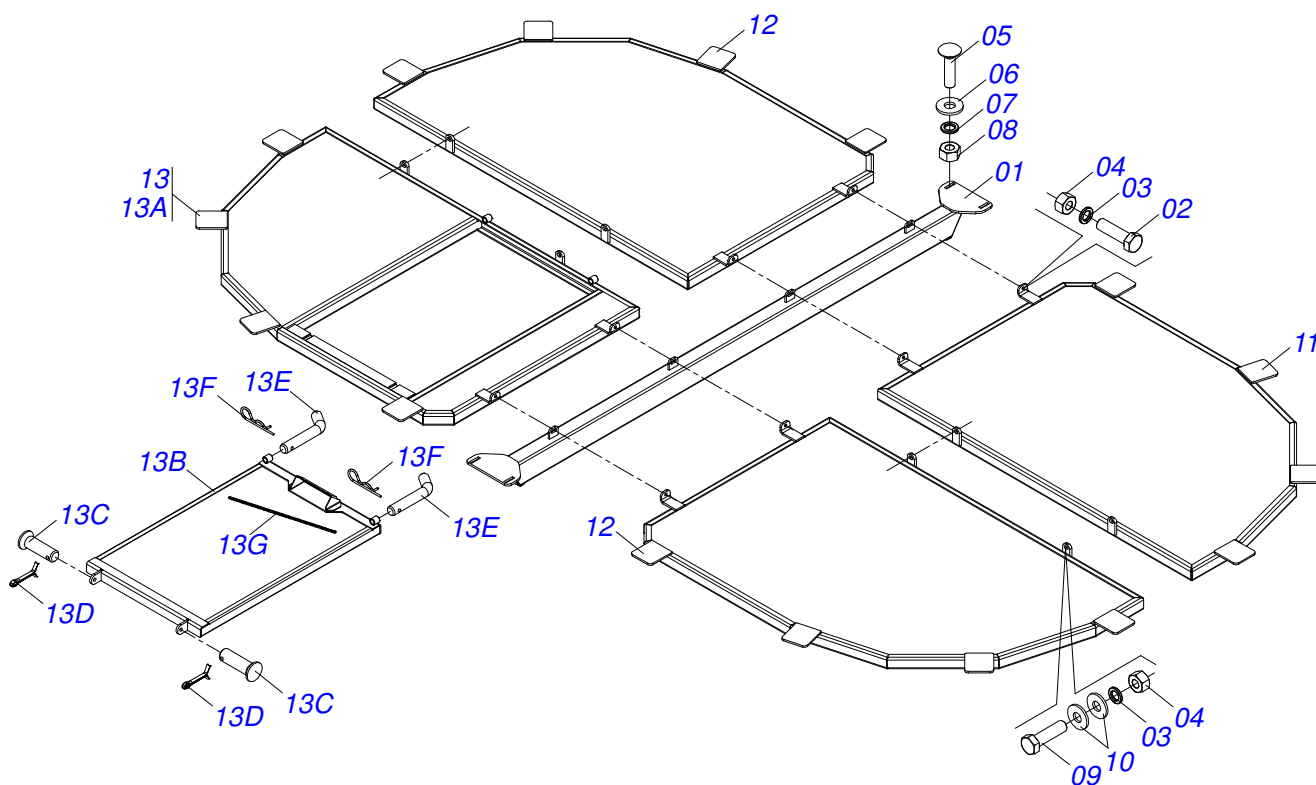
| Item | Code       | Description               | See page | QT |
|------|------------|---------------------------|----------|----|
| 01   | 0501056996 | TERMINAL WITH QUICK HITCH |          | 02 |
| 02   | 0503014059 | CROSSPIECE                |          | 02 |
| 03   | 0503014060 | TERMINAL W/SQUARE HOLE    |          | 01 |
| 04   | 0503014061 | 30,40 X 39,90 SLEEVE      |          | 01 |
| 05   | 0503014073 | SPRING PIN                |          | 01 |
| 06   | 0503014065 | TERMINAL W/ SQUARE HOLE   |          | 01 |
| 07   | 0503014062 | 29,85 X 1400 SQUARE SHAFT |          | 01 |
| 08   | 0503014074 | SPRING PIN                |          | 01 |
| 09   | 0503014063 | MALE SLEEVE ADAPTER       |          | 01 |
| 10   | 0503014064 | FEMALE SLEEVE ADAPTER     |          | 01 |
| 11   | 0503014068 | PROTECTION ASSY           |          | 01 |

CONDUCTOR PLOUGH SUPPORT ASSY

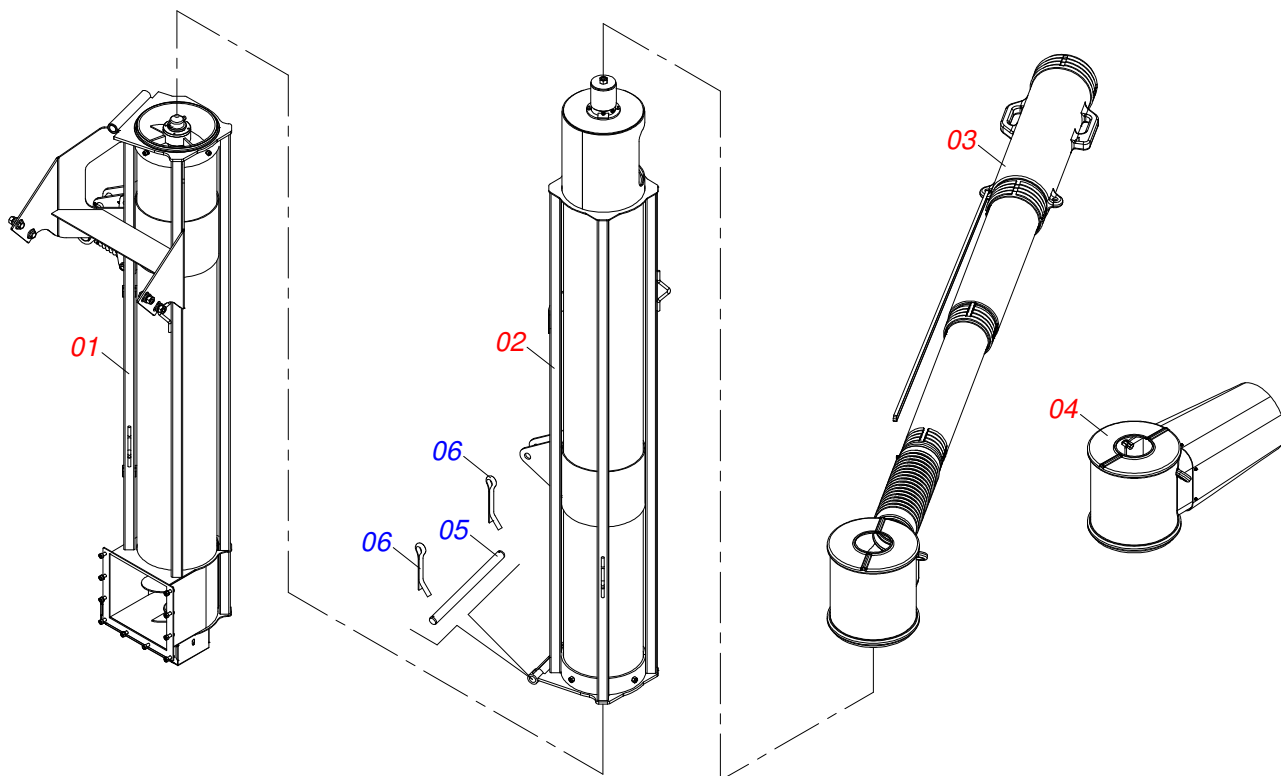


| Item | Code       | Description                 | See page | QT |
|------|------------|-----------------------------|----------|----|
| 01   | 0511066529 | UPPER PLOUGH SUPPORT        |          | 01 |
| 02   | 0503032594 | 30 X 13 X 19 PLUG           |          | 08 |
| 03   | 0501010100 | SCREW 5/8 UNC X 2 CS G.5 ZN |          | 03 |
| 04   | 0501012140 | FLAT WASHER                 |          | 05 |
| 05   | 0503010027 | 5/8" SPRING WASHER          |          | 03 |
| 06   | 0503010013 | 5/8" NUT                    |          | 03 |

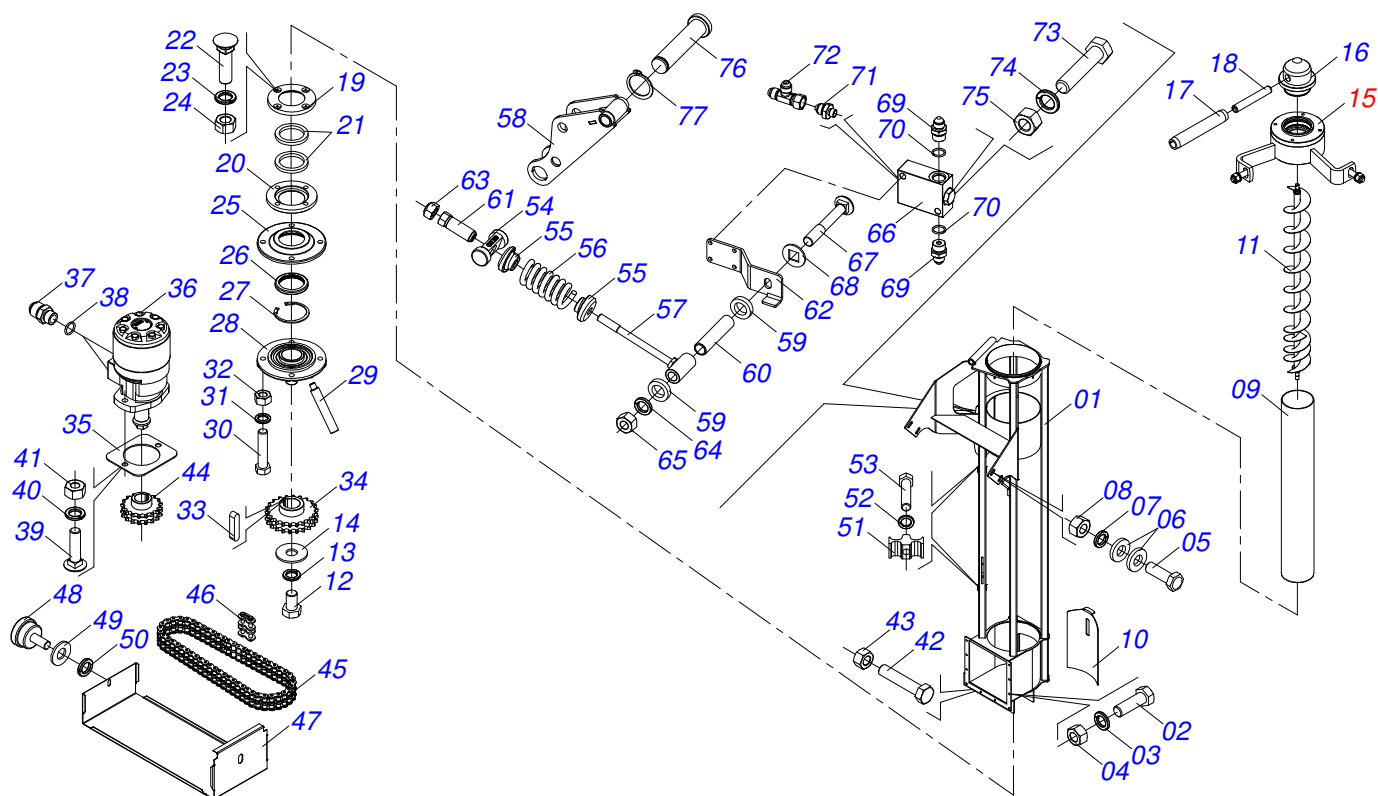




| Item | Code       | Description                        | See page | QT |
|------|------------|------------------------------------|----------|----|
| 01   | 0511066535 | PLASTIC BOX LOCK                   |          | 01 |
| 02   | 0503010740 | BOLT 1/2 UNC X 2 CS G.5 ZN         |          | 04 |
| 03   | 0503010019 | 1/2" SPRING WASHER                 |          | 08 |
| 04   | 0503010060 | 1/2" NUT                           |          | 08 |
| 05   | 0503014784 | 1/2 BSW X 2 BOLT                   |          | 04 |
| 06   | 0511017302 | FLAT WASHER                        |          | 04 |
| 07   | 0503010019 | 1/2" SPRING WASHER                 |          | 04 |
| 08   | 0503012682 | 1/2" BSW NUT                       |          | 04 |
| 09   | 0503010740 | BOLT 1/2 UNC X 2 CS G.5 ZN         |          | 04 |
| 10   | 0511017302 | FLAT WASHER                        |          | 16 |
| 11   | 0511066571 | SCREEN LEFT                        |          | 01 |
| 12   | 0511066570 | SCREEN RIGHT                       |          | 02 |
| 13   | 0511052433 | SCREEN NOZZLE                      |          | 01 |
| 13A  | 0521063550 | SCREEN LEFT WITH OPEN SLUICE VALVE |          | 01 |
| 13B  | 0521063551 | BEHAVE EVE                         |          | 01 |
| 13C  | 0521017623 | 0.5" X 1.5" COUPLING SHAFT         |          | 02 |
| 13D  | 0503010257 | 1/8" X 1" COTTERPIN                |          | 02 |
| 13E  | 0501011075 | PIN                                |          | 02 |
| 13F  | 0503030012 | HAIR PIN                           |          | 02 |
| 13G  | 0511010367 | 3/8" X 39,37" LEVER ROPE           |          | 01 |



| Item | Code       | Description                        | See page | QT |
|------|------------|------------------------------------|----------|----|
| 01   | 0501057637 | LOWER CONDUCTOR ASSY               | 22       | 01 |
| 02   | 0501057638 | UPPER CONDUCTOR ASSY               | 24       | 01 |
| 03   | 0501056252 | DISCHARGE SOCKET                   | 26       | 01 |
| 04   | 0511052760 | BOCAL OUT OF CEREALS WITH COVERING | 27       | 01 |
| 05   | 0541016954 | 31,75MM X 422MM AXLE               |          | 01 |
| 06   | 0503010523 | 1/4" X 2" COTTERPIN                |          | 02 |



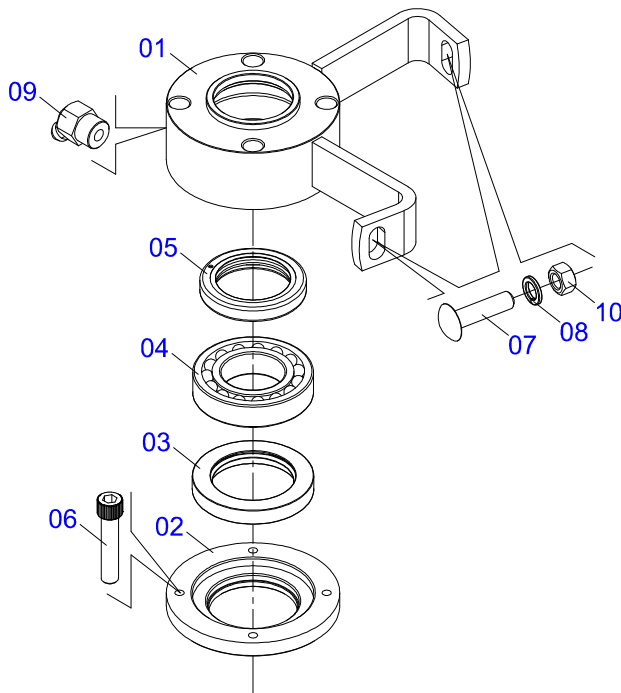
| Item | Code       | Description                      | See page | QT |
|------|------------|----------------------------------|----------|----|
| 01   | 0511068636 | SUPPORT CONDUCTION ACTIVA        |          | 01 |
| 02   | 0501019219 | 1/2" X 1-3/4" BOLT               |          | 10 |
| 03   | 0503010019 | 1/2" SPRING WASHER               |          | 10 |
| 04   | 0503010060 | 1/2" NUT                         |          | 10 |
| 05   | 0501018059 | 3/4" X 2-1/4" BOLT               |          | 04 |
| 06   | 0541010763 | FLAT WASHER                      |          | 08 |
| 07   | 0503010023 | 3/4" SPRING WASHER               |          | 04 |
| 08   | 0503010014 | 3/4" NUT                         |          | 04 |
| 09   | 0503032418 | 355 X 8,70 X 2320 TUBE PVC       |          | 01 |
| 10   | 0541016294 | CLEANING SLUICE VALVE            |          | 01 |
| 11   | 0511068555 | AXLE CONDUCTOR                   |          | 01 |
| 12   | 0501010108 | 5/8" X 1" BOLT                   |          | 01 |
| 13   | 0503010027 | 5/8" SPRING WASHER               |          | 01 |
| 14   | 0501010453 | FLAT WASHER                      |          | 01 |
| 15   | 0501057635 | CONDUCTOR LOWER HUB              | 23       | 01 |
| 16   | 0551015076 | SLEEVE                           |          | 01 |
| 17   | 0503010927 | 0.6" X 3.9" SPRING PIN           |          | 01 |
| 18   | 0503010928 | 0.4" X 4" SPRING PIN             |          | 01 |
| 19   | 0551016443 | SUPPORT FLANGE CLOTH             |          | 01 |
| 20   | 0541016547 | SUPPORT FLANGE CLOTH             |          | 01 |
| 21   | 0503032420 | FELT WASHER                      |          | 02 |
| 22   | 0503016851 | 3/8 UNC X 1.1/2 CEPQ G.2 ZN BOLT |          | 04 |
| 23   | 0503010025 | 3/8" SPRING WASHER               |          | 04 |
| 24   | 0503010026 | 3/8" NUT                         |          | 04 |
| 25   | 0551016442 | BEARING                          |          | 01 |
| 26   | 0551016480 | 58X75X9 SEAL                     |          | 01 |
| 27   | 0503013602 | 502075 CLAMPING RING             |          | 01 |
| 28   | 0503013510 | BEARING ASSY                     |          | 01 |
| 29   | 0503031394 | EXTENSION GREASE FITTING         |          | 01 |
| 30   | 0503012555 | SCREW 7/16 UNC X 2 CS RT G.7 ZN  |          | 04 |
| 31   | 0503010180 | 7/16" SPRING WASHER              |          | 04 |



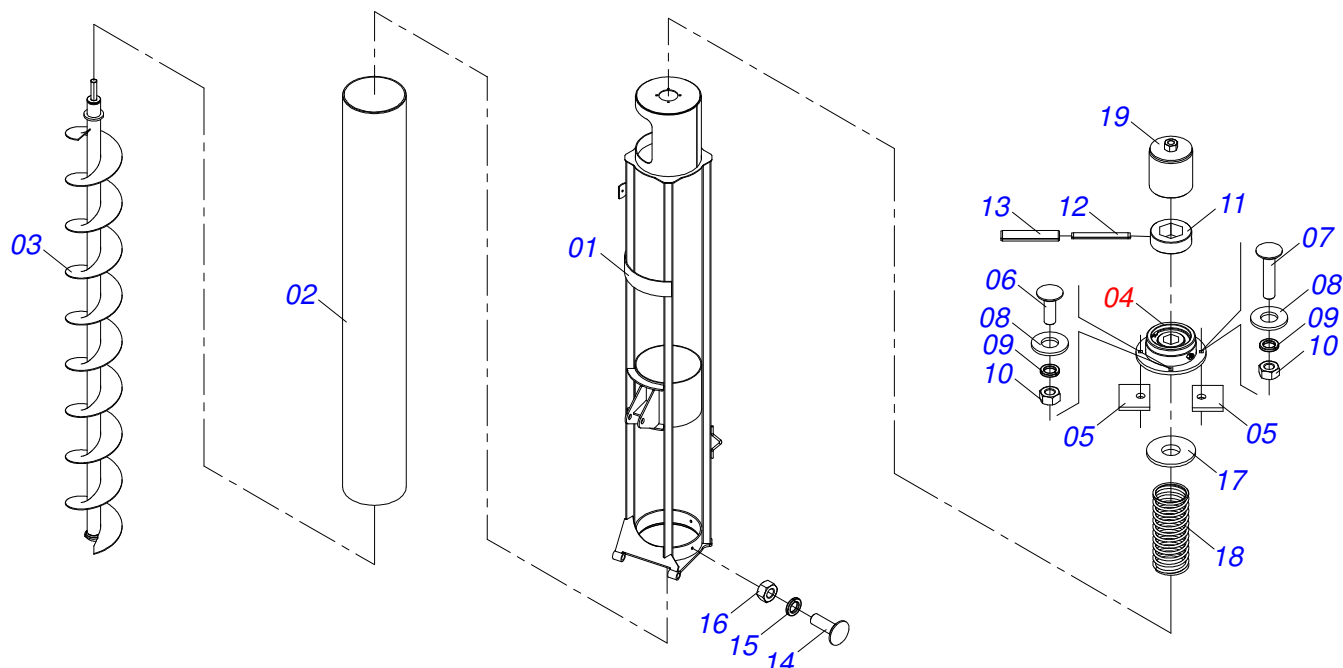
TCA 13500  
LOWER CONDUTOR ASSY

Page 22  
0501057637

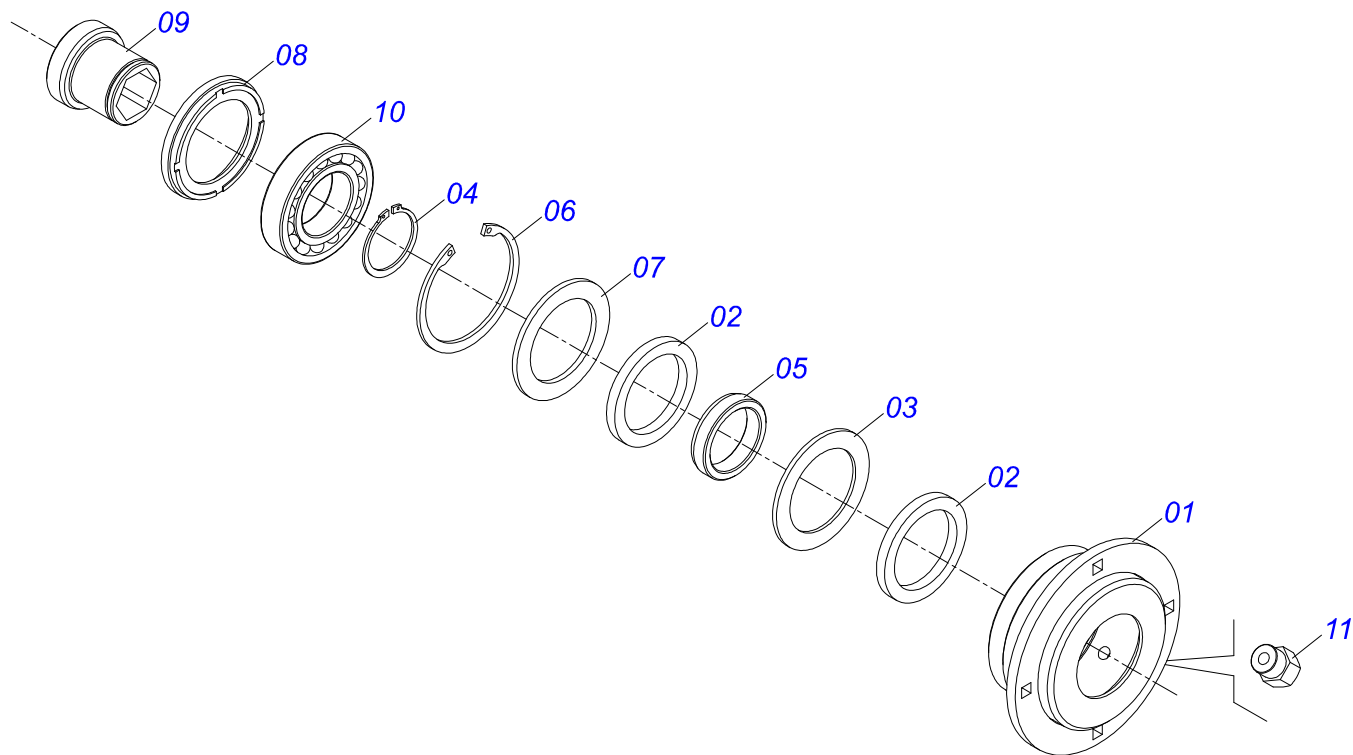
| Item | Code       | Description                           | See page | QT |
|------|------------|---------------------------------------|----------|----|
| 32   | 0503010244 | 7/16" NUT                             |          | 04 |
| 33   | 0501010536 | KEYWAY SQUARE                         |          | 01 |
| 34   | 0511066516 | DOUBLE GEAR 22Z                       |          | 01 |
| 35   | 0541016486 | HYDRAULIC MOTOR FLANGE                |          | 01 |
| 36   | 0503013505 | MOTOR HYDRAULIC                       |          | 01 |
| 37   | 0551011253 | R1.1/16 JICX7/8 SAE S1.1/8X50 NIPPLE  |          | 02 |
| 38   | 0503010045 | O'RING                                |          | 02 |
| 39   | 0503014784 | 1/2 BSW X 2 BOLT                      |          | 02 |
| 40   | 0503010019 | 1/2" SPRING WASHER                    |          | 02 |
| 41   | 0503012682 | 1/2" BSW NUT                          |          | 02 |
| 42   | 0503013308 | 3/8" X 2.1/2" BOLT                    |          | 01 |
| 43   | 0503010026 | 3/8" NUT                              |          | 01 |
| 44   | 0511066515 | 17Z DOUBLE GEAR                       |          | 01 |
| 45   | 0503013513 | 50-2 CHAIN X 55 LINK                  |          | 01 |
| 46   | 0503010560 | AMENDMENT WITH LOCK                   |          | 01 |
| 47   | 0541016503 | GEAR PROTECTION COVER                 |          | 01 |
| 48   | 0503010386 | CABLE                                 |          | 01 |
| 49   | 0501010694 | 8.5 X 18 X 1.5 FLAT WASHER            |          | 01 |
| 50   | 0503010179 | 5/16" ZN SPRING WASHER                |          | 01 |
| 51   | 0502012702 | BODY SUPPORT CLAMP                    |          | 02 |
| 52   | 0503010180 | 7/16" SPRING WASHER                   |          | 02 |
| 53   | 0503012555 | SCREW 7/16 UNC X 2 CS RT G.7 ZN       |          | 02 |
| 54   | 0502011968 | SPRING LOCKNUT                        |          | 01 |
| 55   | 1902020393 | SPRING UPPER SUPPORT                  |          | 02 |
| 56   | 0503030441 | 12.7" X 5.7" X 0.5"SPRING             |          | 01 |
| 57   | 0501067323 | SPRING REGULATOR                      |          | 01 |
| 58   | 0511068634 | CILINDER ARTICULATION                 |          | 01 |
| 59   | 0551015396 | FLAT WASHER                           |          | 02 |
| 60   | 0551015089 | GLOVE                                 |          | 01 |
| 61   | 0521018575 | REGULATOR SPINDLE 100                 |          | 01 |
| 62   | 0551015395 | VALVE SUPPORT                         |          | 01 |
| 63   | 0503011255 | 3/4" LOCK NUT                         |          | 01 |
| 64   | 0503010023 | 3/4" SPRING WASHER                    |          | 01 |
| 65   | 0503010014 | 3/4" NUT                              |          | 01 |
| 66   | 0503013622 | VALVE ASSY                            |          | 01 |
| 67   | 0503014192 | 3/4 UNC BOLT                          |          | 01 |
| 68   | 0501010637 | FLAT WASHER                           |          | 01 |
| 69   | 0511010111 | 7/8" NIPPLE                           |          | 02 |
| 70   | 0503010045 | O'RING                                |          | 02 |
| 71   | 0501012109 | 3/4" X 9/16" NIPPLE                   |          | 01 |
| 72   | 0503011968 | 3/4" 8R6X-S T ADAPTER WITH SWIVEL NUT |          | 01 |
| 73   | 0503011179 | 3/8" X 2-1/4" BOLT                    |          | 02 |
| 74   | 0503010025 | 3/8" SPRING WASHER                    |          | 02 |
| 75   | 0503010026 | 3/8" NUT                              |          | 02 |
| 76   | 0551015389 | COUPLING SHAFT                        |          | 01 |
| 77   | 0503010880 | 501032 CLAMPING RING (FOR AXLE)       |          | 01 |



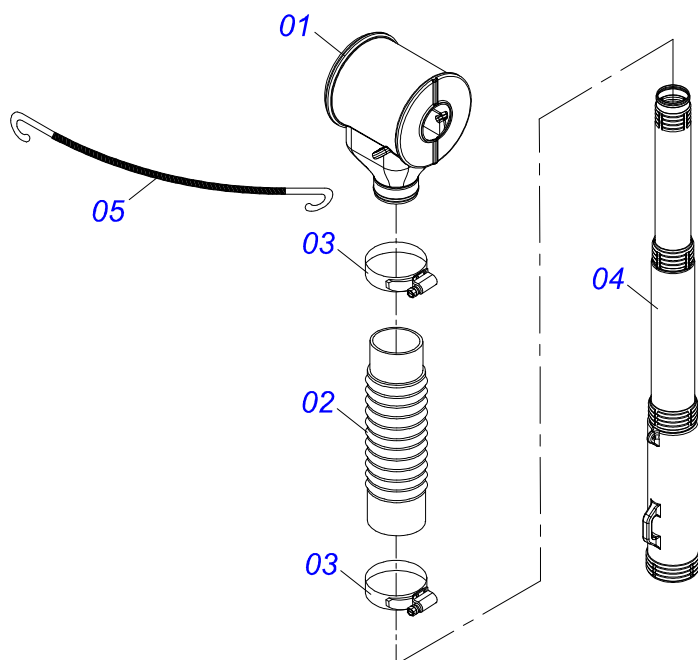
| Item | Code       | Description                     | See page | QT |
|------|------------|---------------------------------|----------|----|
| 01   | 0511068635 | CONDUCTOR LOWER HUB             |          | 01 |
| 02   | 0551015078 | BEARING UPPER FLANGE            |          | 01 |
| 03   | 0503010804 | 00547-B SEAL                    |          | 01 |
| 04   | 0503013511 | 1209-E BEARING ASSY             |          | 01 |
| 05   | 0551015432 | SEAL 00838-B                    |          | 01 |
| 06   | 0503014521 | 5/16 UNC X 1.1/2 CCSI 12.9 BOLT |          | 04 |
| 07   | 0501010524 | 1/2" X 2" BOLT                  |          | 02 |
| 08   | 0503010019 | 1/2" SPRING WASHER              |          | 02 |
| 09   | 0503010003 | 1845 GREASE FITTING             |          | 01 |
| 10   | 0503012682 | 1/2" BSW NUT                    |          | 02 |



| Item | Code       | Description                         | See page | QT |
|------|------------|-------------------------------------|----------|----|
| 001  | 0511066585 | UPPER CONDUCTOR SUPPORT             |          | 01 |
| 002  | 0503032417 | TUBE PVC 355 X 8,70 X 2685          |          | 01 |
| 003  | 0511068554 | UPPER AXLE CONDUCTOR                |          | 01 |
| 004  | 0501057633 | SUPPORT HUB                         | 25       | 01 |
| 005  | 0501016149 | FIXER PLATE                         |          | 02 |
| 006  | 0503011953 | 5/16" X 1" BOLT                     |          | 02 |
| 007  | 0503012163 | 5/16" X 1-1/2" BOLT                 |          | 02 |
| 008  | 0501010694 | 8.5 X 18 X 1.5 FLAT WASHER          |          | 04 |
| 009  | 0503010179 | 5/16" ZN SPRING WASHER              |          | 06 |
| 010  | 0503010337 | 5/16" NUT                           |          | 06 |
| 011  | 0541016549 | SLEEVE HEX SEXTAVADA 32 X 58 X 20   |          | 01 |
| 012  | 0503010756 | 0.2" X 2.4" SPRING PIN              |          | 01 |
| 013  | 0503010361 | SPRING PIN                          |          | 01 |
| 014  | 0501010243 | 1/2" X 1-1/2" BOLT                  |          | 02 |
| 015  | 0503010019 | 1/2" SPRING WASHER                  |          | 02 |
| 016  | 0503012682 | 1/2" BSW NUT                        |          | 02 |
| 017  | 0551015071 | SUPPORT WASHER                      |          | 01 |
| 018  | 0503032958 | 90 X 230 X 7 TCA COMPRESSION SPRING |          | 01 |
| 019  | 0511068591 | COVER                               |          | 01 |



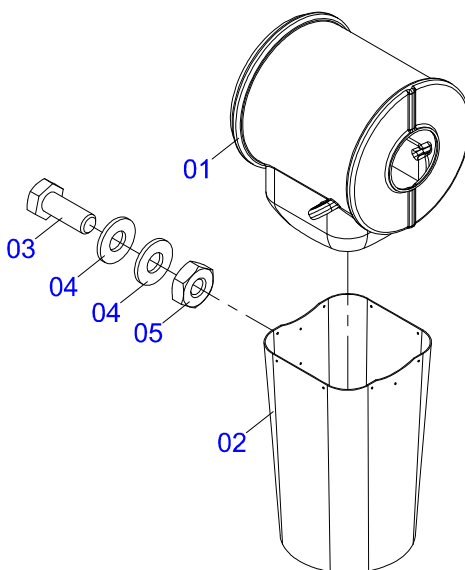
| Item | Code       | Description                     | See page | QT |
|------|------------|---------------------------------|----------|----|
| 01   | 0511068633 | SUPPORT HUB                     |          | 01 |
| 02   | 0503032420 | FELT WASHER                     |          | 02 |
| 03   | 0541016557 | FELT WASHER SUPPORT             |          | 01 |
| 04   | 0503010542 | 501045 CLAMPING RING (FOR AXLE) |          | 01 |
| 05   | 0541016550 | 44,91 X 57,50 X 13 SLEEVE       |          | 01 |
| 06   | 0503013200 | 502085 CLAMPING RING (FOR AXLE) |          | 01 |
| 07   | 0541016558 | FLAT WASHER                     |          | 01 |
| 08   | 0541016556 | FELT GUIDE ROLLER HUB           |          | 01 |
| 09   | 0541016548 | HEX SLEEVE 32 X 57,50 X 54      |          | 01 |
| 10   | 0503013511 | 1209-E BEARING ASSY             |          | 01 |
| 11   | 0503010003 | 1845 GREASE FITTING             |          | 01 |



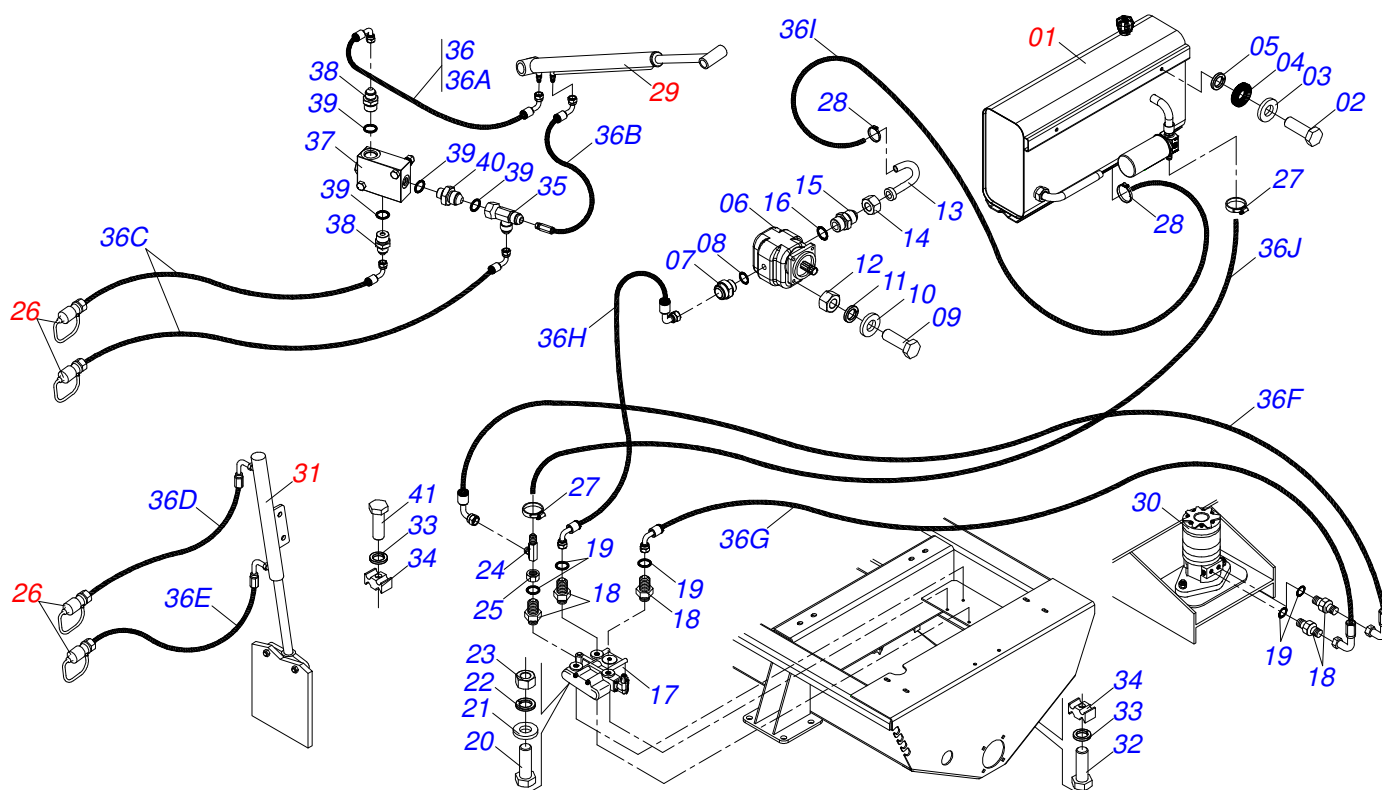
| Item | Code       | Description                 | See page | QT |
|------|------------|-----------------------------|----------|----|
| 001  | 0503032442 | FERTILIZER DISCHARGE SOCKET |          | 01 |
| 002  | 0503032419 | HOSE                        |          | 01 |
| 003  | 0503013626 | CLAMP 178 TO 197            |          | 02 |
| 004  | 0503062005 | CONDUCTOR ASSY              |          | 01 |
| 005  | 0503013628 | ELASTIC LUGGAGE RACK        |          | 02 |



BOCAL OUT OF CEREALS WITH COVERING

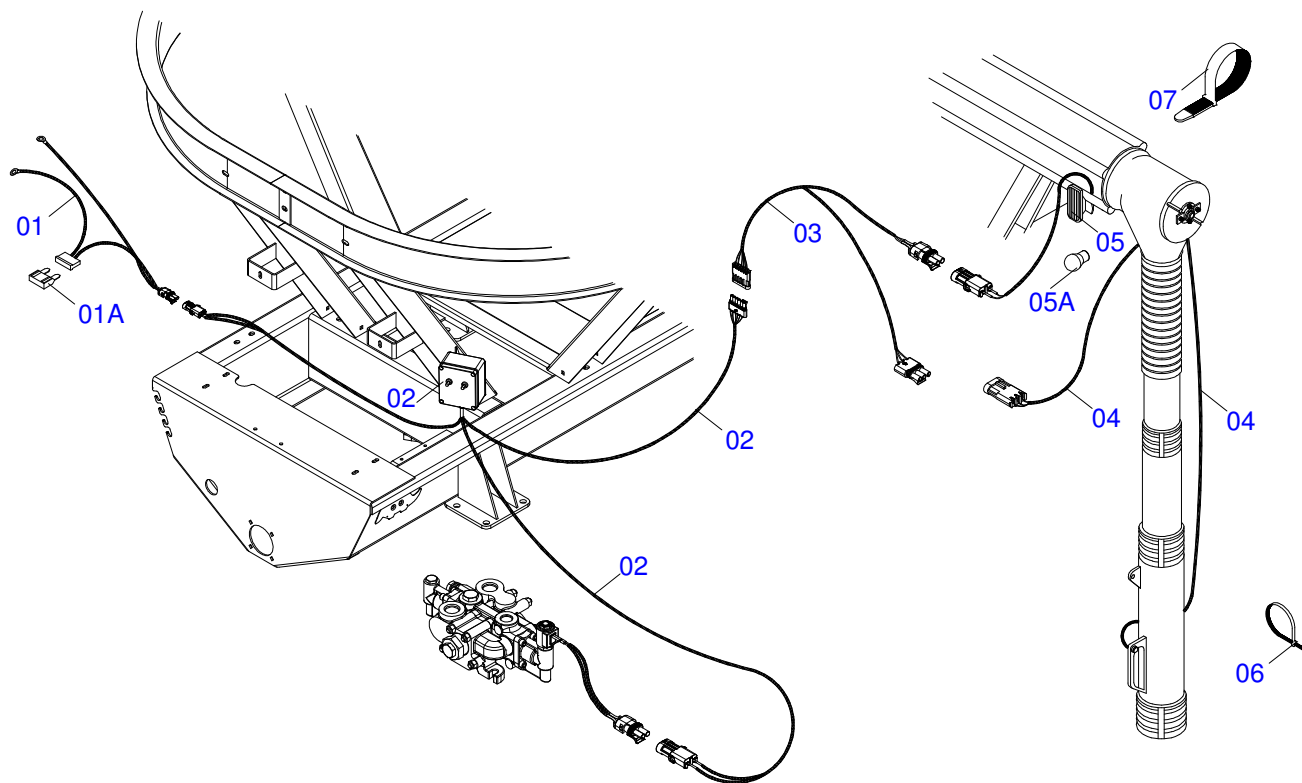


| Item | Code       | Description                        | See page | QT |
|------|------------|------------------------------------|----------|----|
| 001  | 0503032581 | SOCKET                             |          | 01 |
| 002  | 0571012961 | BOCAL OUT OF CEREALS WITH COVERING |          | 01 |
| 003  | 0503013784 | 3/16 UNC X 1/2 C S G.2 ZN BOLT     |          | 21 |
| 004  | 0503010669 | FLAT WASHER                        |          | 21 |
| 005  | 0503010667 | 3/16" NUT                          |          | 21 |

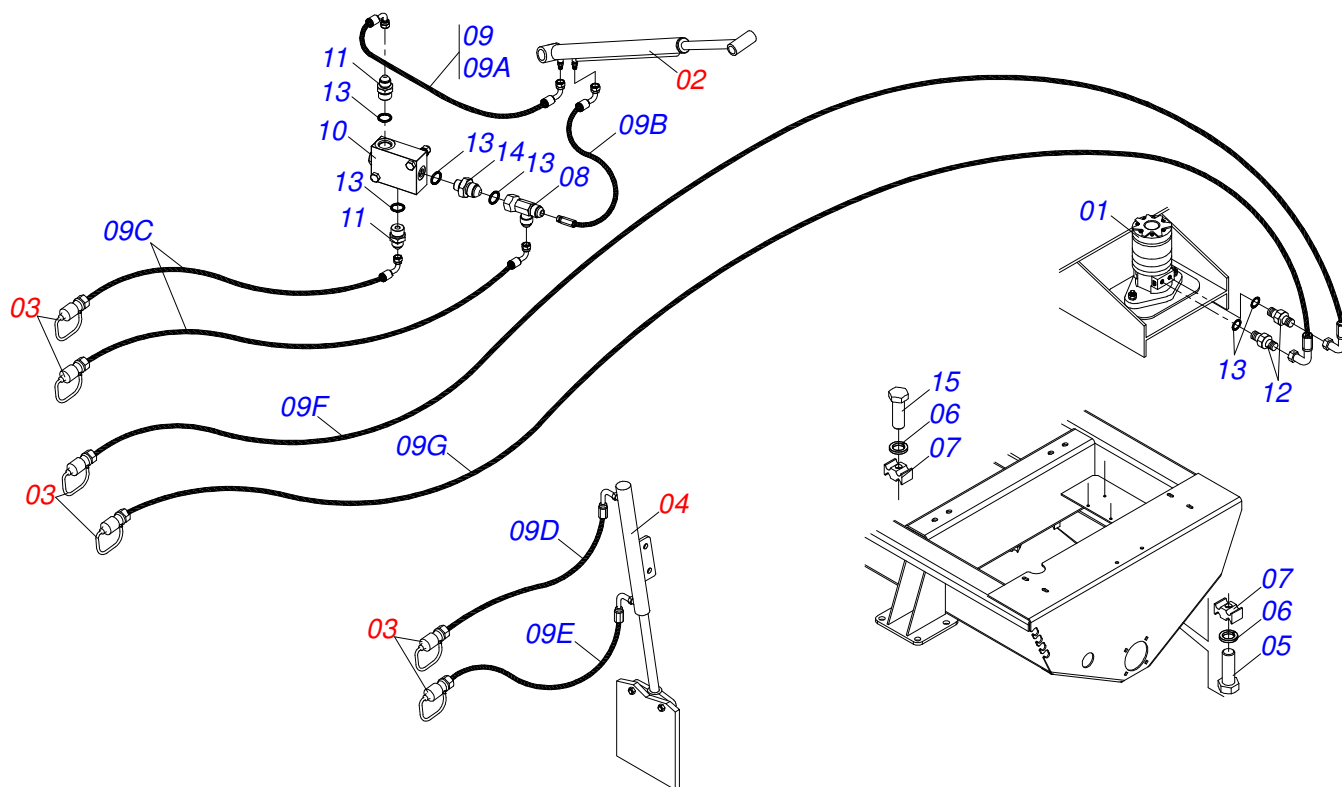


| Item | Code       | Description                           | See page | QT |
|------|------------|---------------------------------------|----------|----|
| 01   | 0501056196 | OIL RESERVOIR ASSY                    | 31       | 01 |
| 02   | 0503010920 | 1/2" X 1.1/2" BOLT                    |          | 06 |
| 03   | 0511017302 | FLAT WASHER                           |          | 06 |
| 04   | 0541018213 | FLAT WASHER                           |          | 06 |
| 05   | 0503010019 | 1/2" SPRING WASHER                    |          | 06 |
| 06   | 0503013504 | HYDRAULIC PARKER PUMP                 |          | 01 |
| 07   | 0501010589 | R. 1.1/16UN SEXT 1.1/4 X 52 NIPPLE    |          | 01 |
| 08   | 0503011109 | 2-119 N 3006-9B O'RING                |          | 01 |
| 09   | 0503014784 | 1/2 BSW X 2 BOLT                      |          | 04 |
| 10   | 0511017302 | FLAT WASHER                           |          | 04 |
| 11   | 0503010019 | 1/2" SPRING WASHER                    |          | 04 |
| 12   | 0503012682 | 1/2" BSW NUT                          |          | 04 |
| 13   | 0501067815 | TANK OUTER TUBE                       |          | 01 |
| 14   | 0501016309 | 2" 1X 2.5/16" NUT                     |          | 01 |
| 15   | 0541017401 | R.1.5/8X12FPP X R.2X16FPPX61 NIPPLE   |          | 01 |
| 16   | 0503010185 | 2-221 N 3006-9B O'RING                |          | 01 |
| 17   | 0503062229 | HYDRAULIC COMMAND                     |          | 01 |
| 18   | 0551011253 | R1.1/16 JICX7/8 SAE S1.1/8X50 NIPPLE  |          | 05 |
| 19   | 0503010045 | O'RING                                |          | 05 |
| 20   | 0501010080 | 3/8" BOLT                             |          | 03 |
| 21   | 0501010984 | FLAT WASHER                           |          | 03 |
| 22   | 0503010025 | 3/8" SPRING WASHER                    |          | 03 |
| 23   | 0503010026 | 3/8" NUT                              |          | 03 |
| 24   | 0511066753 | ADAPTER                               |          | 01 |
| 25   | 0541016752 | 1.1/4"X 1.1/16" UN X 11 NUT HEX       |          | 01 |
| 26   | 0501053834 | MALE QUICK COUPLER WITH CAP - 1/2 NPT | 35       | 04 |
| 27   | 0503010184 | CLAMP                                 |          | 02 |
| 28   | 0503010243 | CLAMP                                 |          | 02 |
| 29   | 0501056460 | HYDRAULIC CYLINDER                    | 33       | 01 |
| 30   | 0503013505 | MOTOR HYDRAULIC                       |          | 01 |
| 31   | 0501056253 | MOEGA ASSY                            | 8        | 01 |

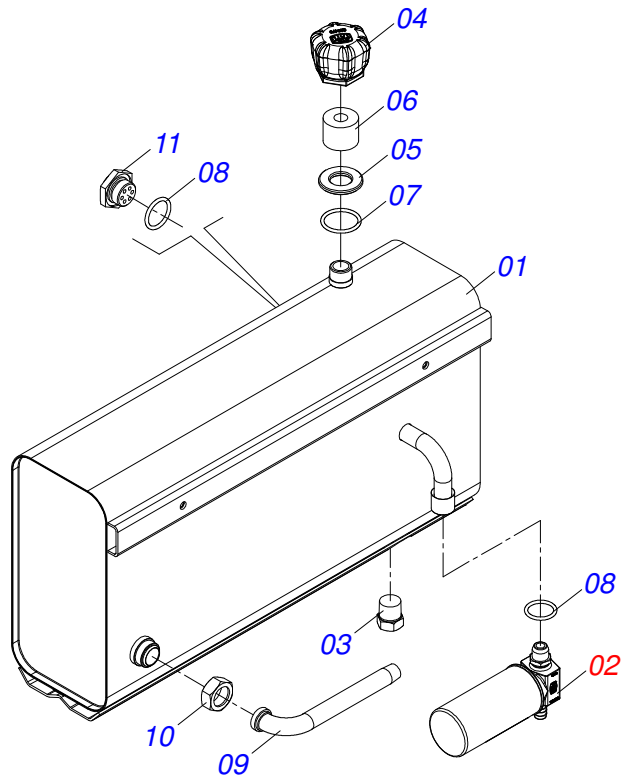
| Item | Code       | Description                           | See page | QT |
|------|------------|---------------------------------------|----------|----|
| 32   | 0503012555 | SCREW 7/16 UNC X 2 CS RT G.7 ZN       |          | 05 |
| 33   | 0503010180 | 7/16" SPRING WASHER                   |          | 06 |
| 34   | 0502012702 | BODY SUPPORT CLAMP                    |          | 06 |
| 35   | 0503011968 | 3/4" 8R6X-S T ADAPTER WITH SWIVEL NUT |          | 01 |
| 36   | 0511051083 | ASSEMBLY                              |          | 01 |
| 36A  | 0501080700 | 3/8 X 650 TC-TC HOSE                  |          | 01 |
| 36B  | 0501080599 | 3/8 X 650 TC-TR HOSE                  |          | 01 |
| 36C  | 0501080640 | 3/8 X 7200 TC-TM HOSE                 |          | 02 |
| 36D  | 0501080844 | 3/8 X 5500 TC-TM HOSE                 |          | 01 |
| 36E  | 0501080898 | 3/8 X 5150 TC-TM HOSE                 |          | 01 |
| 36F  | 0501081077 | 3/4" X 3100 TC-TC HOSE ASSY           |          | 01 |
| 36G  | 0501080712 | 3/4" X 3000 TC-TC HOSE ASSY           |          | 01 |
| 36H  | 0501081049 | 3/4" X 700 TC-TC HOSE                 |          | 01 |
| 36I  | 0541018532 | 1.1/4" X 600 AB-AB HOSE ASSY          |          | 01 |
| 36J  | 0501019999 | AB-AB HOSE ASSY                       |          | 01 |
| 37   | 0503013622 | VALVE ASSY                            |          | 01 |
| 38   | 0511010111 | 7/8" NIPPLE                           |          | 02 |
| 39   | 0503010045 | O'RING                                |          | 04 |
| 40   | 0501012109 | 3/4" X 9/16" NIPPLE                   |          | 01 |
| 41   | 0503010850 | BOLT 7/16 UNC X 3 CS G.5 ZN           |          | 01 |



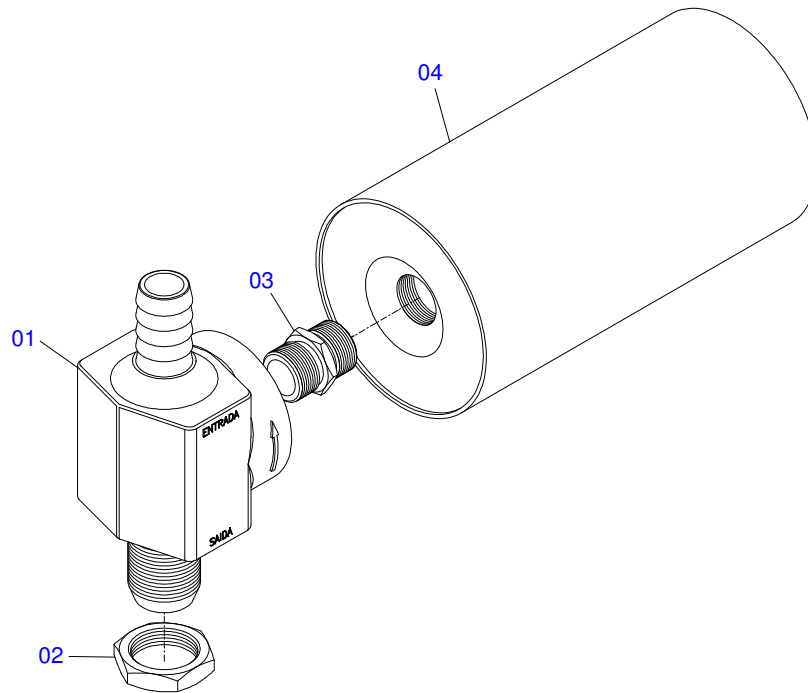
| Item | Code       | Description    | See page | QT |
|------|------------|----------------|----------|----|
| 01   | 0503062593 | SWITCH CABLE   |          | 01 |
| 01A  | 0503018553 | FUSE BLADE 20A |          | 01 |
| 02   | 0503062446 | CONTROL PANEL  |          | 01 |
| 03   | 0503018699 | WHIP           |          | 01 |
| 04   | 0503018698 | WHIP           |          | 01 |
| 05   | 0503062604 | LIGHTHOUSE     |          | 01 |
| 05A  | 0503013639 | H3 55W LAMP    |          | 01 |
| 06   | 0503015056 | NYLON CLAMP    |          | 23 |
| 07   | 0503013100 | NYLON CLAMP    |          | 12 |



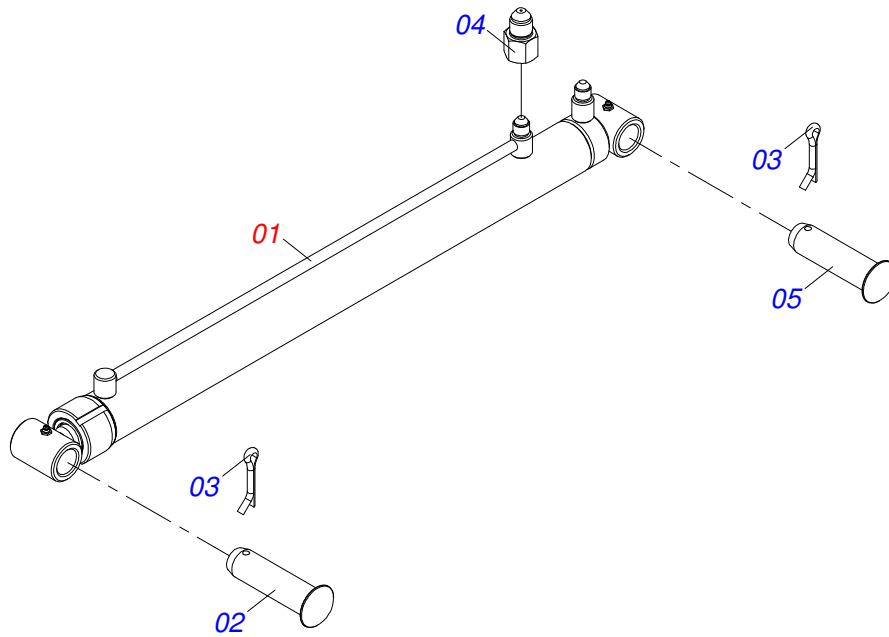
| Item | Code       | Description                           | See page | QT |
|------|------------|---------------------------------------|----------|----|
| 01   | 0503013505 | MOTOR HYDRAULIC                       |          | 01 |
| 02   | 0501056460 | HYDRAULIC CYLINDER                    | 33       | 01 |
| 03   | 0501053834 | MALE QUICK COUPLER WITH CAP - 1/2 NPT | 35       | 06 |
| 04   | 0501056253 | MOEGA ASSY                            | 8        | 01 |
| 05   | 0503012555 | SCREW 7/16 UNC X 2 CS RT G.7 ZN       |          | 05 |
| 06   | 0503010180 | 7/16" SPRING WASHER                   |          | 06 |
| 07   | 0502012702 | BODY SUPPORT CLAMP                    |          | 06 |
| 08   | 0503011968 | 3/4" 8R6X-S T ADAPTER WITH SWIVEL NUT |          | 01 |
| 09   | 0511051083 | ASSEMBLY                              |          | 01 |
| 09A  | 0501080700 | 3/8 X 650 TC-TC HOSE                  |          | 01 |
| 09B  | 0501080599 | 3/8 X 650 TC-TR HOSE                  |          | 01 |
| 09C  | 0501080640 | 3/8 X 7200 TC-TM HOSE                 |          | 02 |
| 09D  | 0501080844 | 3/8 X 5500 TC-TM HOSE                 |          | 01 |
| 09E  | 0501080898 | 3/8 X 5150 TC-TM HOSE                 |          | 01 |
| 09F  | 0501081077 | 3/4" X 3100 TC-TC HOSE ASSY           |          | 01 |
| 09G  | 0501080712 | 3/4" X 3000 TC-TC HOSE ASSY           |          | 01 |
| 10   | 0503013622 | VALVE ASSY                            |          | 01 |
| 11   | 0511010111 | 7/8" NIPPLE                           |          | 02 |
| 12   | 0551011253 | R1.1/16 JICX7/8 SAE S1.1/8X50 NIPPLE  |          | 05 |
| 13   | 0503010045 | O'RING                                |          | 04 |
| 14   | 0501012109 | 3/4" X 9/16" NIPPLE                   |          | 01 |
| 15   | 0503010850 | BOLT 7/16 UNC X 3 CS G.5 ZN           |          | 01 |



| Item | Code       | Description            | See page | QT |
|------|------------|------------------------|----------|----|
| 01   | 0511066554 | RESERVOIR OIL          |          | 01 |
| 02   | 0501041108 | RETURNING FILTER ASSY  | 32       | 01 |
| 03   | 0503031604 | 1/2" BSP PLUG          |          | 01 |
| 04   | 0502020472 | FRONTAL COVER          |          | 01 |
| 05   | 0501019236 | FLAT WASHER            |          | 01 |
| 06   | 0503030044 | FILTERING ELEMENT      |          | 01 |
| 07   | 0503010185 | 2-221 N 3006-9B O'RING |          | 01 |
| 08   | 0503010046 | 2-216 N 3006-9B O'RING |          | 02 |
| 09   | 0511062042 | TANK OUTER TUBE        |          | 01 |
| 10   | 0501016309 | 2" 1X 2.5/16" NUT      |          | 01 |
| 11   | 0503013689 | VISOR OIL LEVEL        |          | 01 |

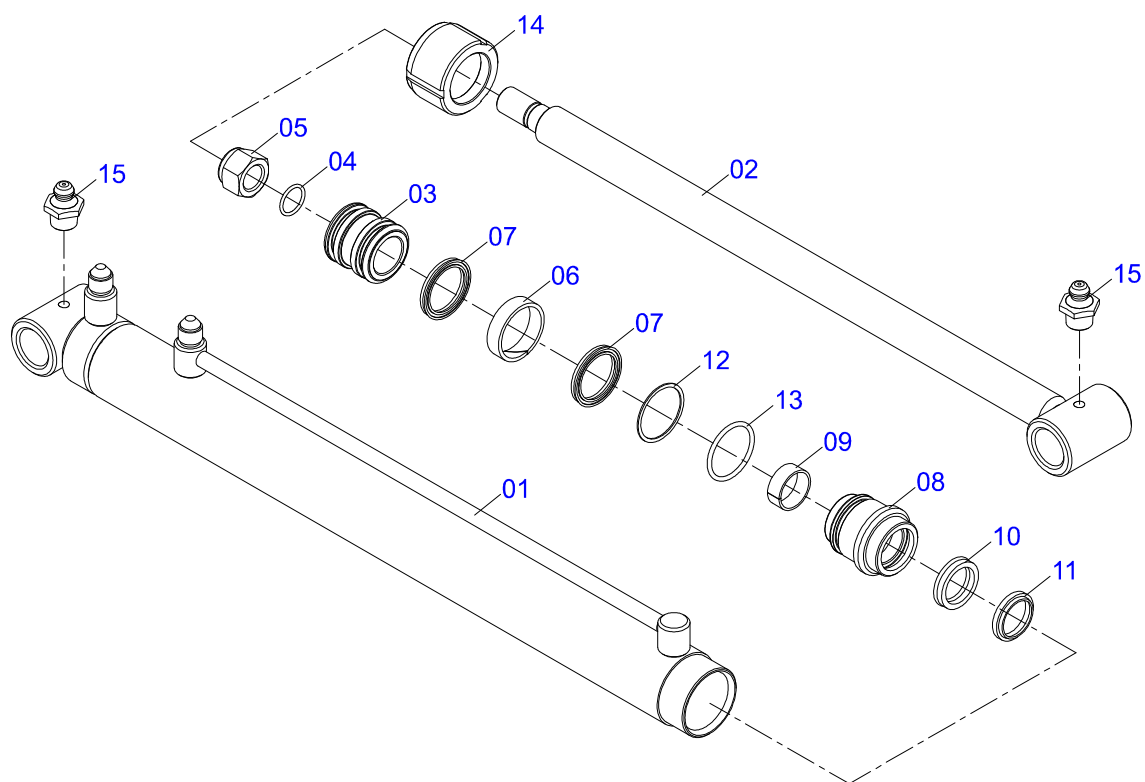


| Item | Code       | Description           | See page | QT |
|------|------------|-----------------------|----------|----|
| 01   | 0502050002 | RETURNING FILTER HEAD |          | 01 |
| 02   | 0501010594 | 1" NUT                |          | 01 |
| 03   | 0501010595 | 1" NF NIPPLE          |          | 01 |
| 04   | 0503010183 | RETURNING FILTER      |          | 01 |

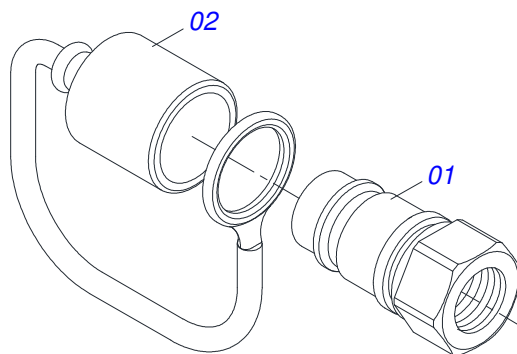


| Item | Code       | Description                | See page | QT |
|------|------------|----------------------------|----------|----|
| 01   | 0503032411 | HYDRAULIC CYLINDER         | 34       | 01 |
| 02   | 0521010780 | 1.2" X 4.5" COUPLING SHAFT |          | 01 |
| 03   | 0503010523 | 1/4" X 2" COTTERPIN        |          | 02 |
| 04   | 0511018012 | HIDRAULIC ADAPTER          |          | 01 |
| 05   | 0521010544 | 1.2" X 4.9" COUPLING SHAFT |          | 01 |





| Item | Code       | Description               | See page | QT |
|------|------------|---------------------------|----------|----|
| 01   | 0511069777 | CYLINDER CASE ASSY        |          | 01 |
| 02   | 0511069778 | ROD CILINDER ASSY         |          | 01 |
| 03   | 0551019465 | TCA 16000 PISTON          |          | 01 |
| 04   | 0503014677 | 2-118 O'RING              |          | 01 |
| 05   | 0503010812 | 7/8" UNF SELF LOCKING NUT |          | 01 |
| 06   | 0503010949 | W2-2000-500 PK RING G.E   |          | 01 |
| 07   | 0503013920 | GASKET 1870-1625          |          | 02 |
| 08   | 0551019466 | RING SUPPORT              |          | 01 |
| 09   | 0503014683 | W1-1400-500 RING GUIDE    |          | 01 |
| 10   | 0503013914 | 1870-1250-312B GASKET     |          | 01 |
| 11   | 0503013915 | D-1250 SCRAPER RING       |          | 01 |
| 12   | 0503013918 | 8-224 BACK-UP RING        |          | 01 |
| 13   | 0503013917 | O`RING 2-224              |          | 01 |
| 14   | 0551016592 | MOBILE COVER              |          | 01 |
| 15   | 0503010002 | 1800 GREASE FITTING       |          | 02 |
| 16   | 0501038643 | ASSEMBLY                  |          | 01 |



| Item | Code       | Description                    | See page | QT |
|------|------------|--------------------------------|----------|----|
| 01   | 0503011627 | MALE QUICK COUPLER AGR 1/2 NPT |          | 01 |
| 02   | 0503011882 | MALE QUICK COUPLER CAP         |          | 01 |





[www.marchesan.com.br](http://www.marchesan.com.br)



**Technical Publications | Elaboration and Revision**  
ALESSANDRA PATRICIA KAWAHARA CARRILI