

PCA T / PCA PLUS - AGRICULTURAL FRONT LOADER

PCA-T PLUS 1500 LS 90 BT CD JS S/AR ESP S/AC

Code: 0501092024

Series: S-0715

Revision: 00

Date Revision: ABRIL/2021

PARTS CATALOGUE



MARCHESAN



PRODUCTS

Code	Description
0106111767	PCA-T PLUS 1500 LS 90 BT CD JS S/AR ESP S/AC S0715

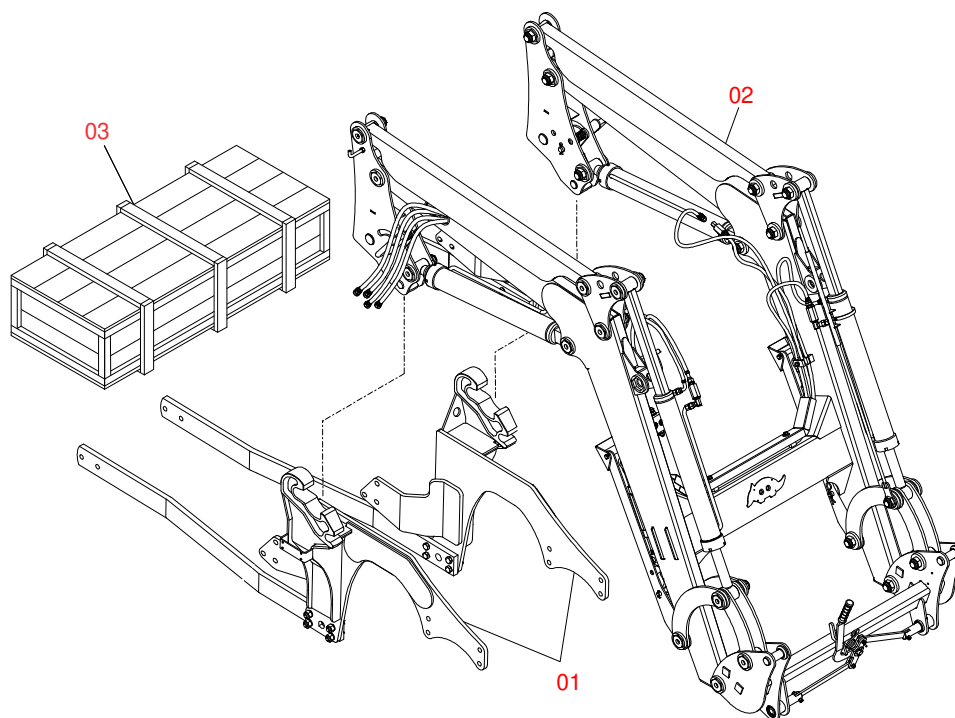
ATTENTION: IMPORTANT

Marchesan S.A. reserves the right to improve and / or modify the technical features of its products, without obligation to do the same with those products already sold and without prior knowledge of the dealer or the consumer.

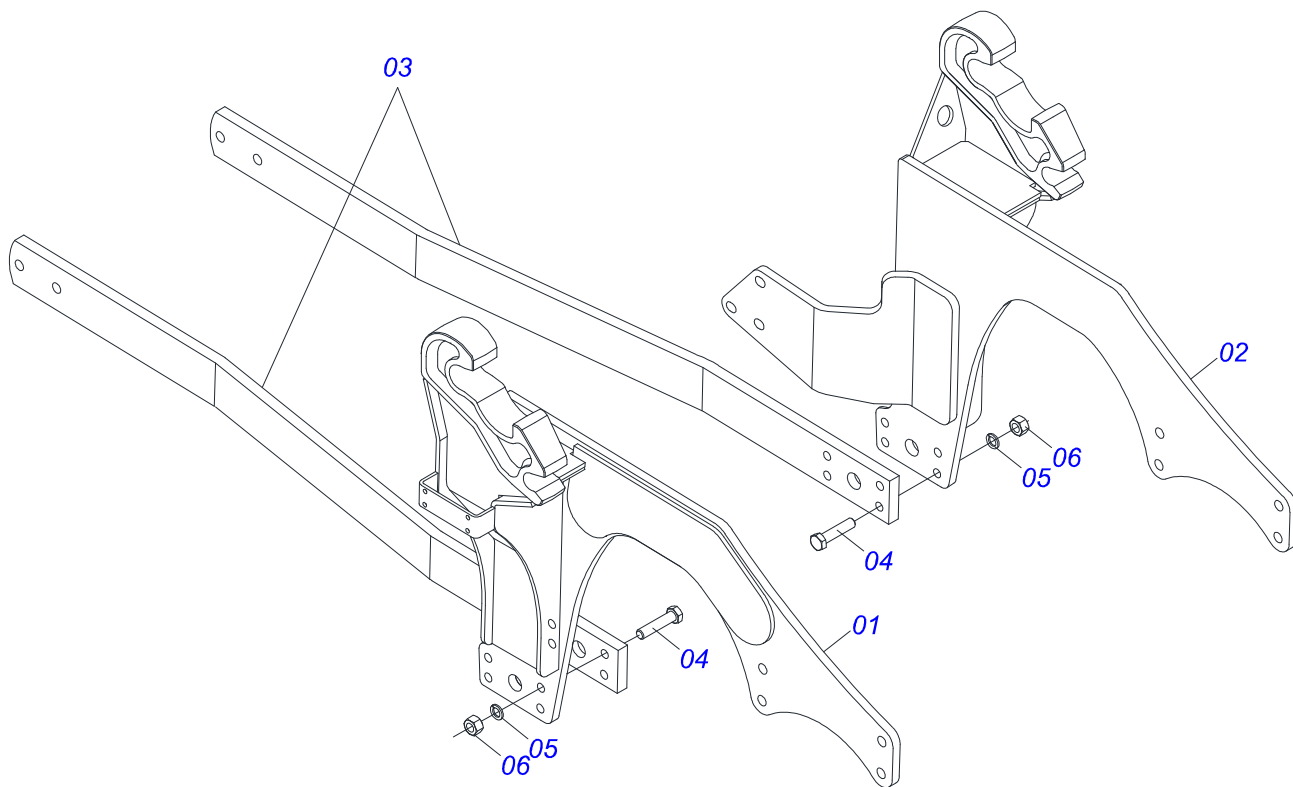


INDEX

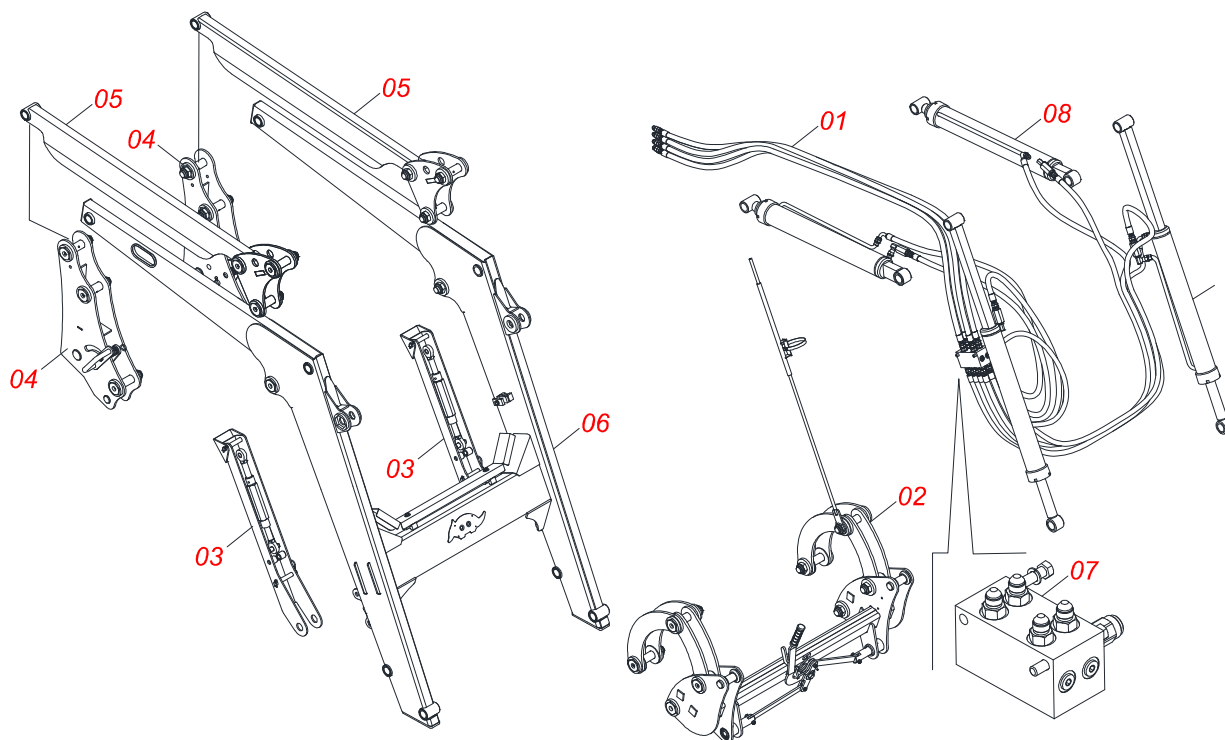
0106111767	PCA-T PLUS 1500 LS 90 BT CD JS S/AR ESP S/AC	1
0521045906	FRAME ASSEMBLY WITH DRAWBAR	2
0521045360	FULL MOBILE SUPPORT	3
0511056982	HOSE SET MOBILE SUPPORT	4
0909093615	ARTICULATOR SET	5
0909092475	RESTING WITH NUT MOUNT HOLDER	6
0909092675	TOWER - MOBILE SUPPORT	7
0909093612	ARTICULATOR SUPPORT ASSEMBLY	8
0909093600	MOBILE SUPPORT PCA-T 1500 VTR COMPLETE	9
0909093601	BLOCK COMMAND HFB0150331	10
0909093602	HYDRAULIC CYLINDER ASSEMBLY - PCA PLUS 1500 VTR	11
0521045321	HYDRAULIC CYLINDER LEFT	12
0521045322	HYDRAULIC CYLINDER RIGHT	13
0511058221	HYDRAULIC CYLINDER LEFT	14
0511058222	HYDRAULIC CYLINDER RIGHT	15
0511057772	SECURITY VALVE ASSY	16
0521021910	BOX WITH COMPONENTS	17
0521045393	SET SUPPORT JOY STICK	18
0521045489	BLOCK COMMAND	19
0521050542	HOSE GAME	20
0511032552	PACKED PARTS	21
0511032553	PACKED PARTS	22
0511031901	PACKAGED PARTS	23



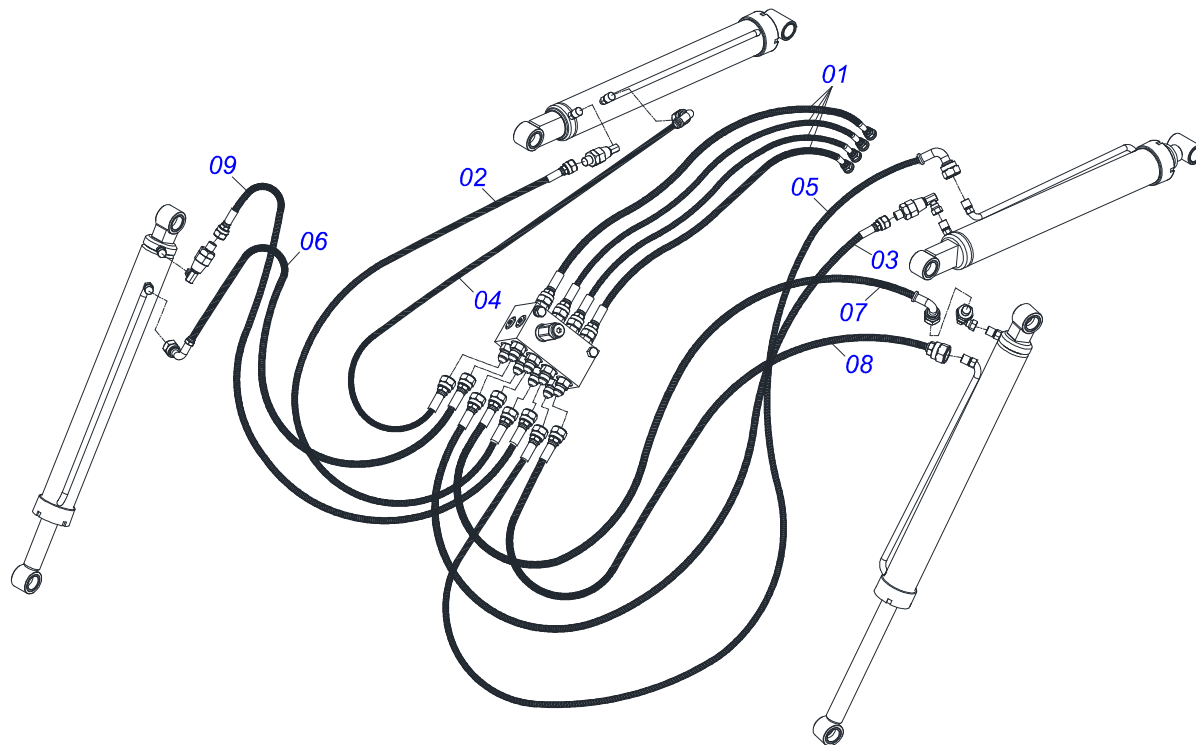
Item	Code	Description	See page	QT
01	0521045906	FRAME ASSEMBLY WITH DRAWBAR	2	01
02	0521045360	FULL MOBILE SUPPORT	3	01
03	0521021910	BOX WITH COMPONENTS	17	01



Item	Code	Description	See page	QT
01	0521066434	RIGHT FRAME		01
02	0521066433	LEFT FRAME		01
03	0571019990	FRAME BACK MOUNTING BAR		02
04	0501010500	3/4"X3"BOLT		04
05	0503010023	3/4" SPRING WASHER		04
06	0503010014	3/4" NUT		04

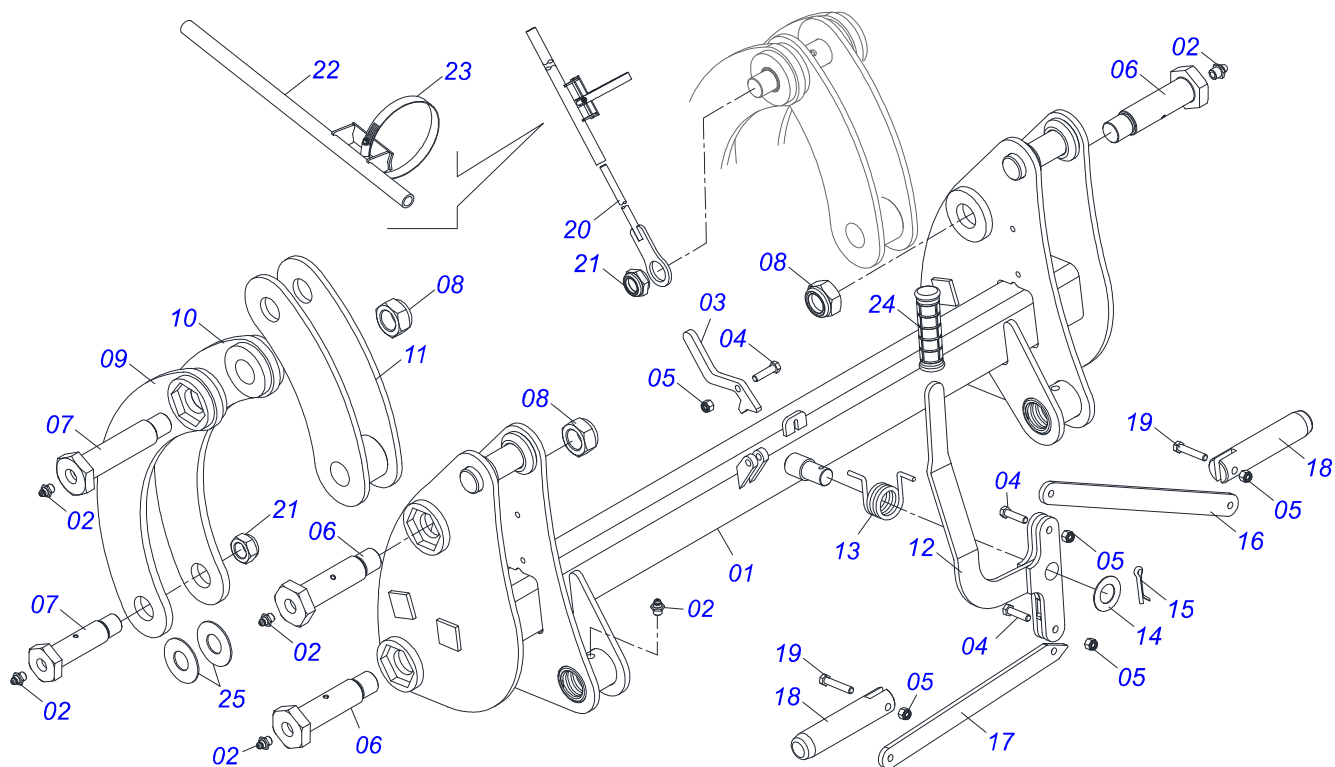


Item	Code	Description	See page	QT
01	0511056982	HOSE SET MOBILE SUPPORT	4	01
02	0909093615	ARTICULATOR SET	5	01
03	0909092475	RESTING WITH NUT MOUNT HOLDER	6	02
04	0909092675	TOWER - MOBILE SUPPORT	7	02
05	0909093612	ARTICULATOR SUPPORT ASSEMBLY	8	02
06	0909093600	MOBILE SUPPORT PCA-T 1500 VTR COMPLETE	9	01
07	0909093601	BLOCK COMMAND HFB0150331	10	01
08	0909093602	HYDRAULIC CYLINDER ASSEMBLY - PCA PLUS 1500 VTR	11	01

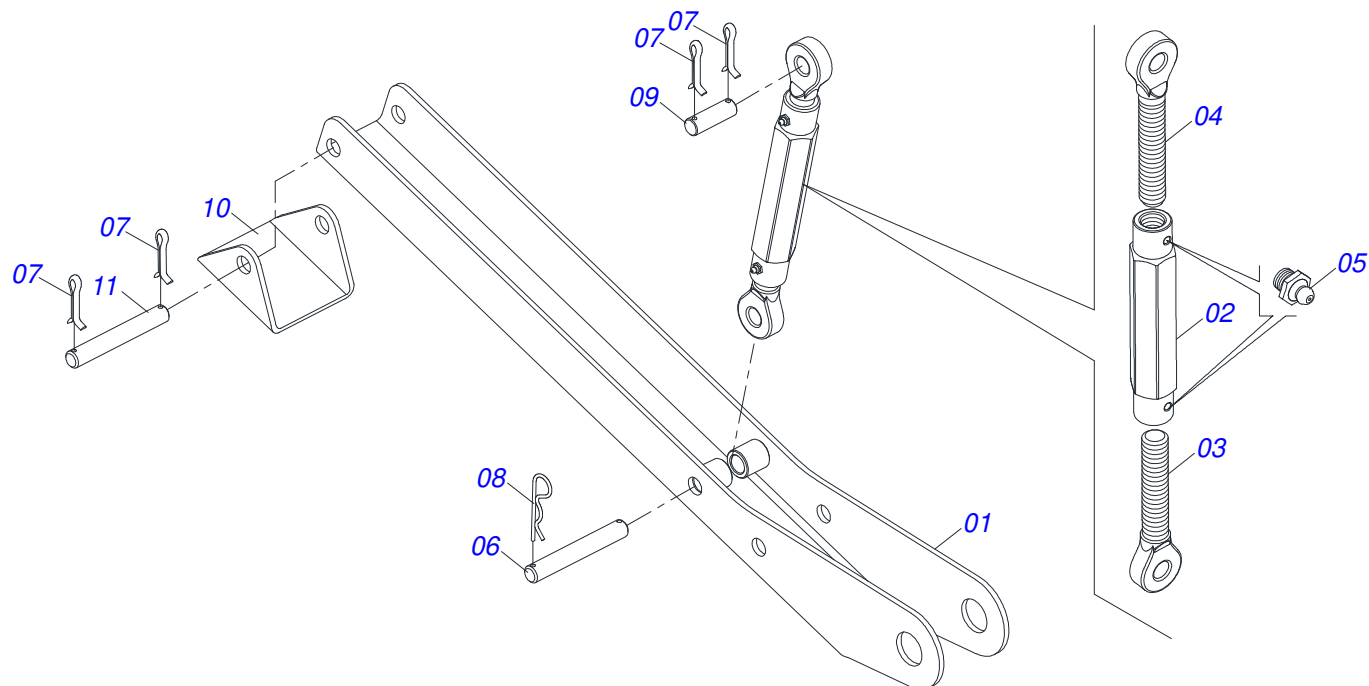


Item	Code	Description	See page	QT
01	0501080452	3/8" X 98" TR-TR HOSE		04
02	0501080439	3/8" X 43" TR-TR HOSE ASSY		01
03	0501080483	3/8" X 86,6" TR-TR HOSE		01
04	0501080348	TR-TC HOSE ASSY		01
05	0501080412	3/8" X 90.55" TR-TC HOSE		01
06	0501080375	3/8 X 23.6" TR-TC HOSE ASSY		01
07	0501080419	3/8 X 82.6" TR-TC HOSE ASSY		01
08	0501080320	3/8" X 82,6" TR-TR HOSE		01
09	0501080027	3/8" X 39,3" TR-TR HOSE ASSY		01

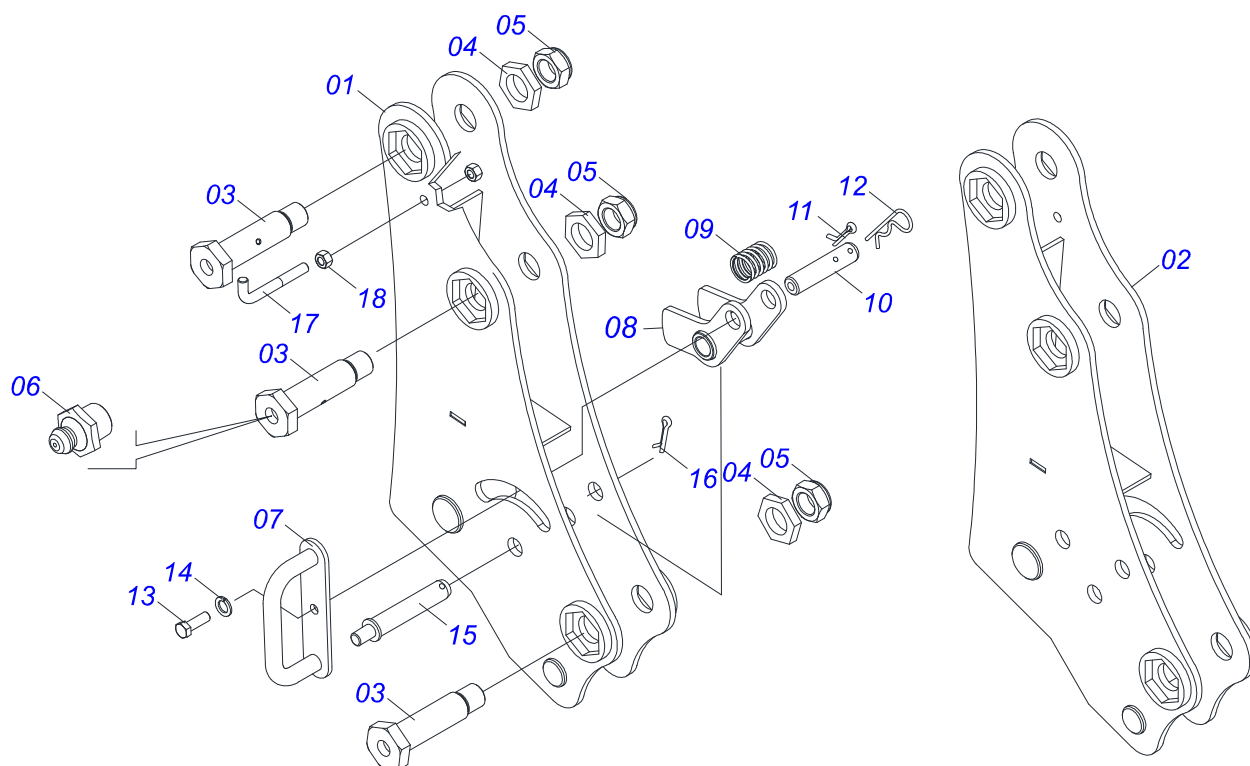
ARTICULATOR SET



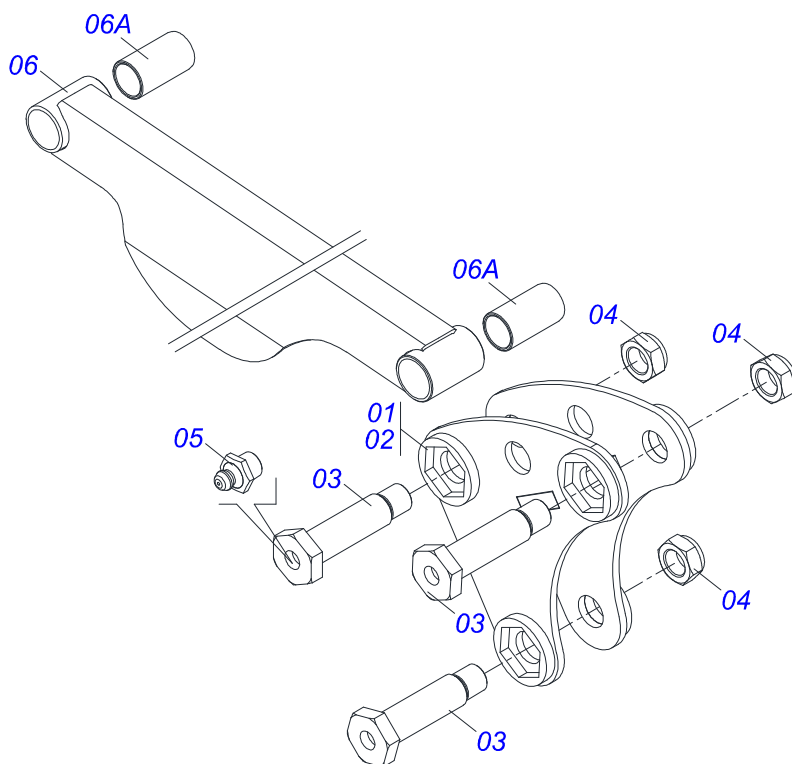
Item	Code	Description	See page	QT
01	0521065697	ARTICULATOR		01
02	0503010002	1800 GREASE FITTING		10
03	0571018934	PENDULUM LOCKS		01
04	0503010849	3/8" X 1-1/2" BOLT		03
05	0503013357	3/8" SELF-ADJUSTING NUT		05
06	0571018264	1.1/4" UNF X 149 ZN BOLT		04
07	0571018245	1.1/4" UNF X 139 BOLT		04
08	0503010044	1-1/4" SELF LOCKING NUT		07
09	0521065744	EXTERNAL ARM OF THE ARTICULATOR		02
10	0521065750	INNER ARM OF ARTICULATOR		02
11	0521065743	ARTICULATION		02
12	0521065888	LEVER		01
13	0503034192	TORSION SPRING		01
14	0561811883	28,5 X 51,5 X 1,50 SA FLAT WASHER		01
15	0503010523	1/4" X 2" COTTERPIN		01
16	0571018935	SPRING SUPPORT ARM		01
17	0571018125	RIGHT ARM OF THE UNLOCK		01
18	0571018129	PIN LOCK ACCESSORY		02
19	0503011236	3/8" X 2" BOLT		02
20	0521066413	LEVEL ROD PCA-T PLUS 1500		01
21	0571018205	1.1/4"XUNF NUT WITH RECESS		01
22	0521066412	TIE ROD GUIDE PCA-T PLUS 1500		01
23	0503011372	102 TO 121 CLAMP		01
24	0503037382	Ø25 X 120 PVC HANDLE		01
25	0551014871	FLAT WASHER		04



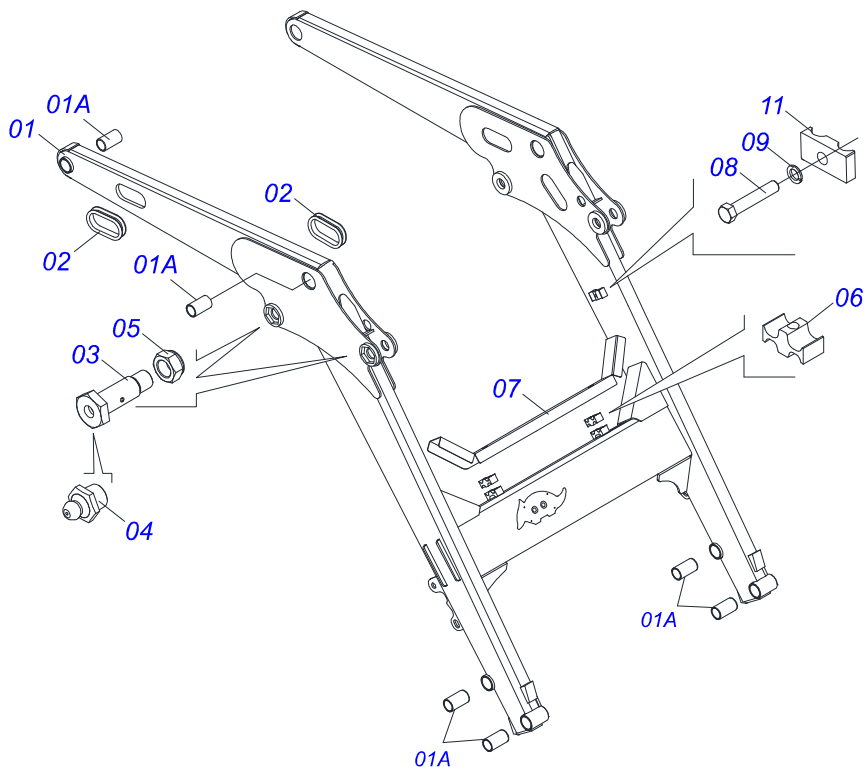
Item	Code	Description	See page	QT
01	0521065756	PLOUGH SUPPORT BODY		02
02	0502012530	REGULATOR NUT BODY R1		02
03	0502012562	LEFT SPINDLE R1 X 160		02
04	0502012529	RIGHT SPINDLE R1 X 160		02
05	0503010002	1800 GREASE FITTING		04
06	0511013598	3/4" X 4.7" COUPLING SHAFT		02
07	0503010071	3/16" X 1" COTTERPIN		06
08	0503030012	HAIR PIN		02
09	0561015578	3/4 X 56 PCA VTR A750 COUPLING SHAFT		02
10	0571018252	REST BASE		02
11	0521012777	COUPLING SHAFT		02



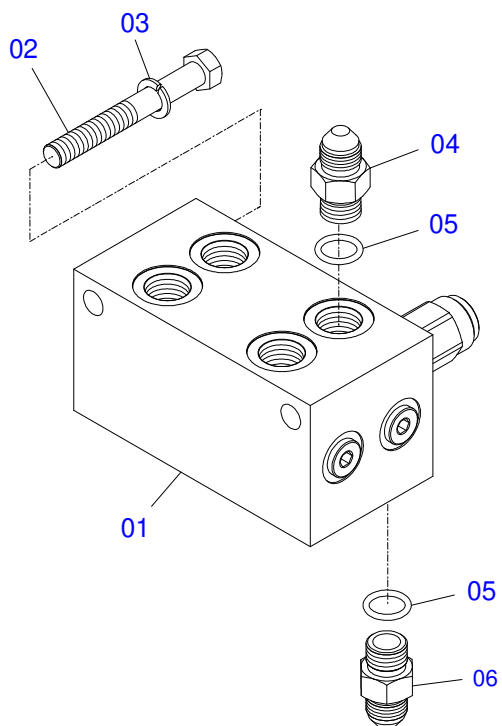
Item	Code	Description	See page	QT
01	0521065884	RIGHT TOWER		01
02	0521065883	LEFT TOWER		01
03	0571018264	1.1/4" UNF X 149 ZN BOLT		06
04	0581010243	WASHER HEX		06
05	0503010044	1-1/4" SELF LOCKING NUT		06
06	0503010002	1800 GREASE FITTING		06
07	0521065755	ARTICULATION CABLE		02
08	0521065885	LATCH MOBILE TOWER		02
09	0503034112	ØI 30 X 45 X Ø4,00 COMPRESSION SPRING PCA-T PLUS 1500		02
10	0571018244	LATCH PIN PCA-T 1500		02
11	0503010523	1/4" X 2" COTTERPIN		02
12	0503030012	HAIR PIN		02
13	0503010920	1/2" X 1.1/2" BOLT		02
14	0503010019	1/2" SPRING WASHER		02
15	0571018243	LOCK FIXATION SHAFT PCA-T 1500		02
16	0503010523	1/4" X 2" COTTERPIN		02
17	0581010285	CONTROL LOCKING HOOK		01
18	0503810060	NUT 1/2 NC S SA		02
19	0503010019	1/2" SPRING WASHER		01



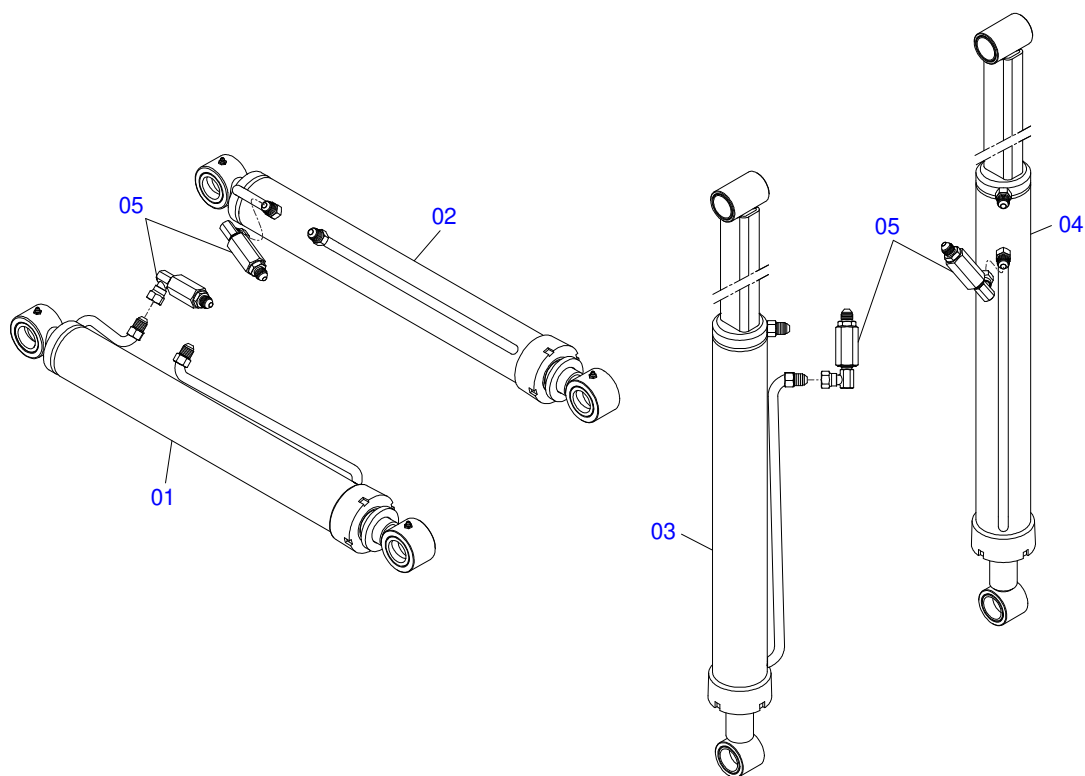
Item	Code	Description	See page	QT
01	0521065745	RIGHT JOINT		01
02	0521065751	LEFT JOINT		01
03	0571018264	1.1/4" UNF X 149 ZN BOLT		06
04	0503010044	1-1/4" SELF LOCKING NUT		06
05	0503010002	1800 GREASE FITTING		06
06	0521065746	PANTOGRAPHIC ARM PCA-T 1500		02
06A	0571018080	BUSHING Ø37,70 X Ø45,15 X 80 PCA-T 1500		04



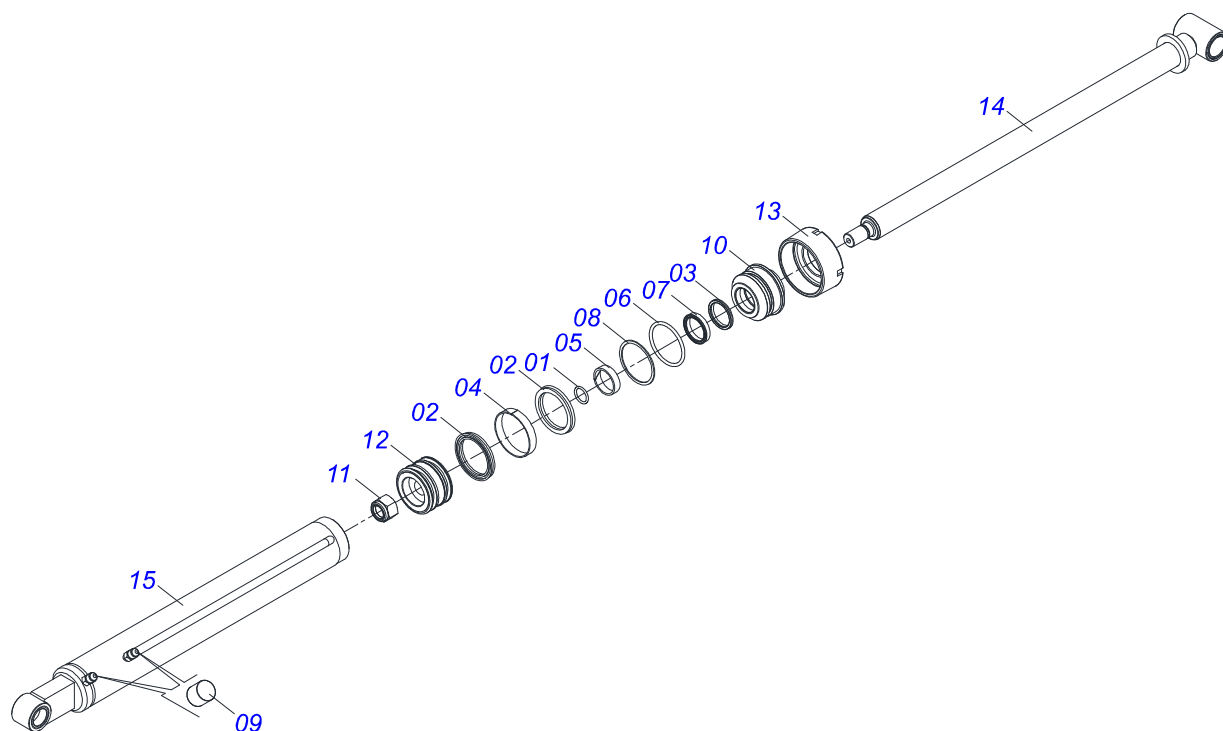
Item	Code	Description	See page	QT
01	0521065742	MOBILE SUPPORT		01
01A	0571018080	BUSHING Ø37,70 X Ø45,15 X 80 PCA-T 1500		08
02	0503034364	HOSE PROTECTOR		02
03	0581013575	1.1/4 UNF X 85 BOLT		04
04	0503010002	1800 GREASE FITTING		04
05	0503010044	1-1/4" SELF LOCKING NUT		04
06	1902012702	UPPER CLAMP BODY		02
07	0521065758	PIPELINE PROTECTION		01
08	0503012555	SCREW 7/16 UNC X 2 CS RT G.7 ZN		02
09	0503010180	7/16" SPRING WASHER		02
10	1902010477	UPPER CLAMP BODY		03



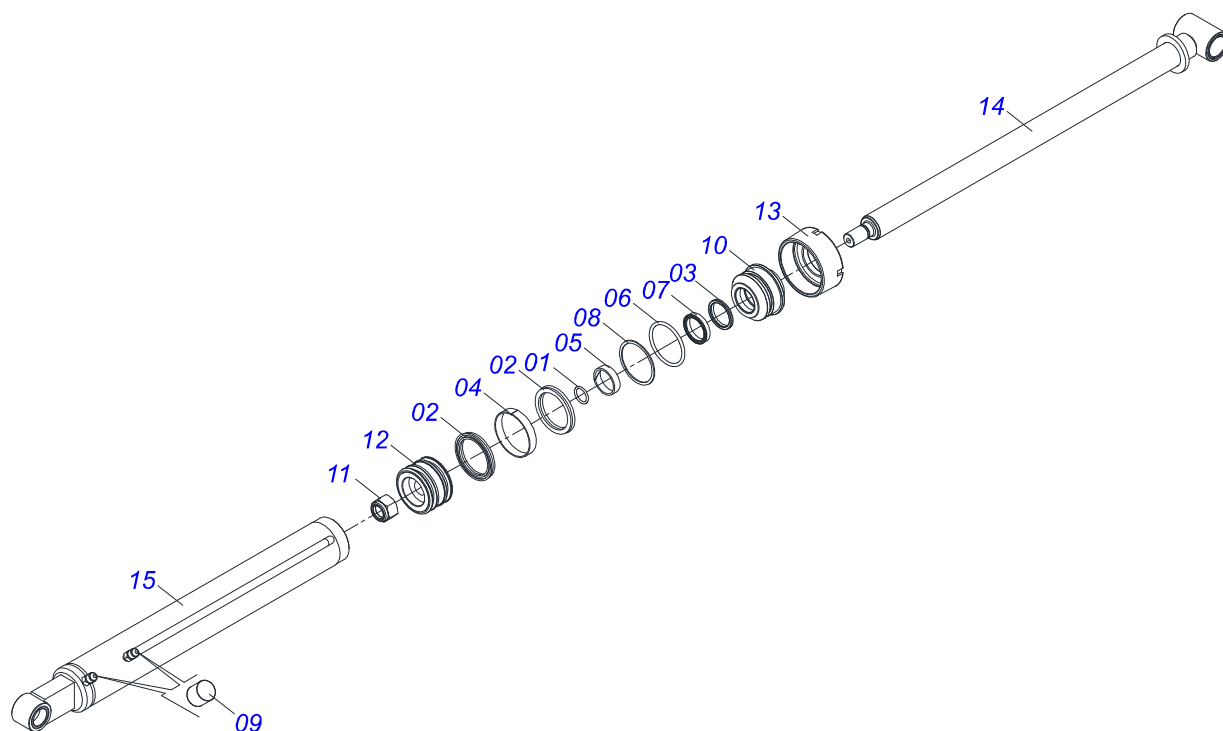
Item	Code	Description	See page	QT
01	0503062416	BLOCK COMMAND		01
02	0503010851	7/16" X 3.1/2" BOLT		02
03	0503010180	7/16" SPRING WASHER		02
04	0501010617	3/4" NIPPLE		04
05	0503010190	2-114 N 3006-9B O'RING		12
06	0501010617	3/4" NIPPLE		08



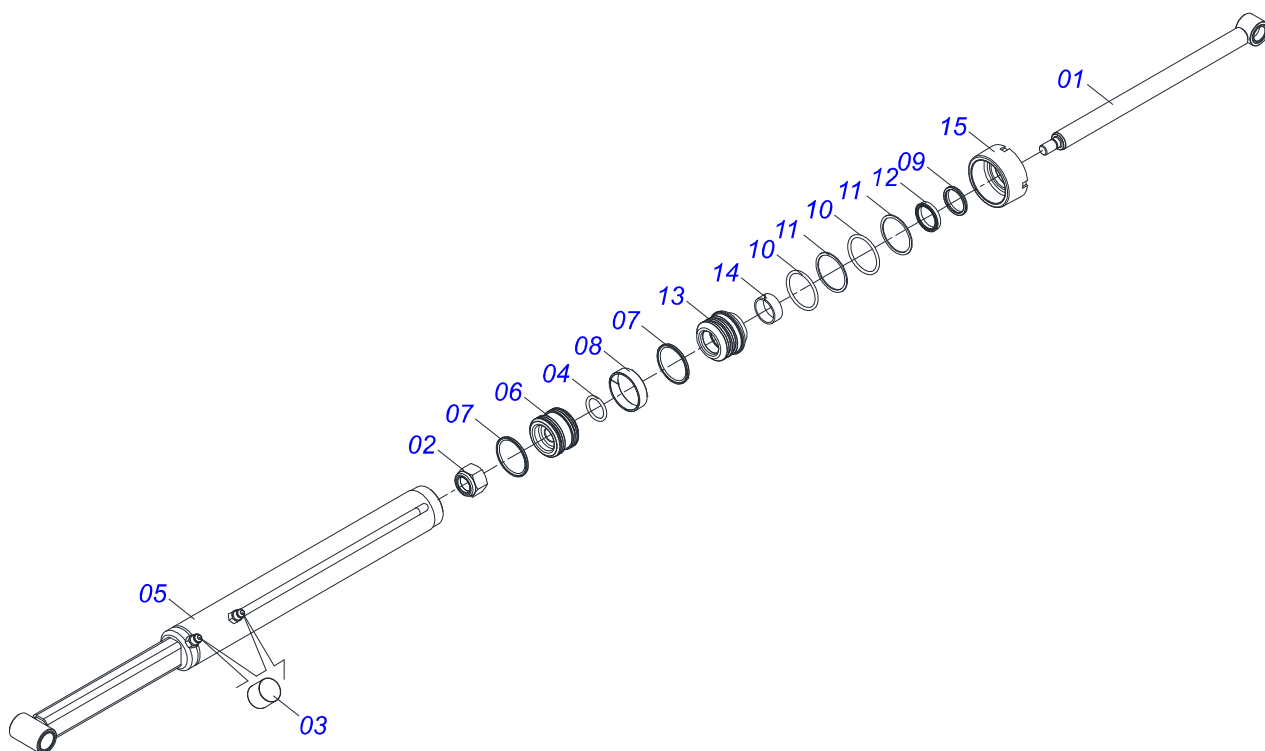
Item	Code	Description	See page	QT
01	0521045321	HYDRAULIC CYLINDER LEFT	12	01
02	0521045322	HYDRAULIC CYLINDER RIGHT	13	01
03	0511058221	HYDRAULIC CYLINDER LEFT	14	01
04	0511058222	HYDRAULIC CYLINDER RIGHT	15	01
05	0511057772	SECURITY VALVE ASSY	16	04



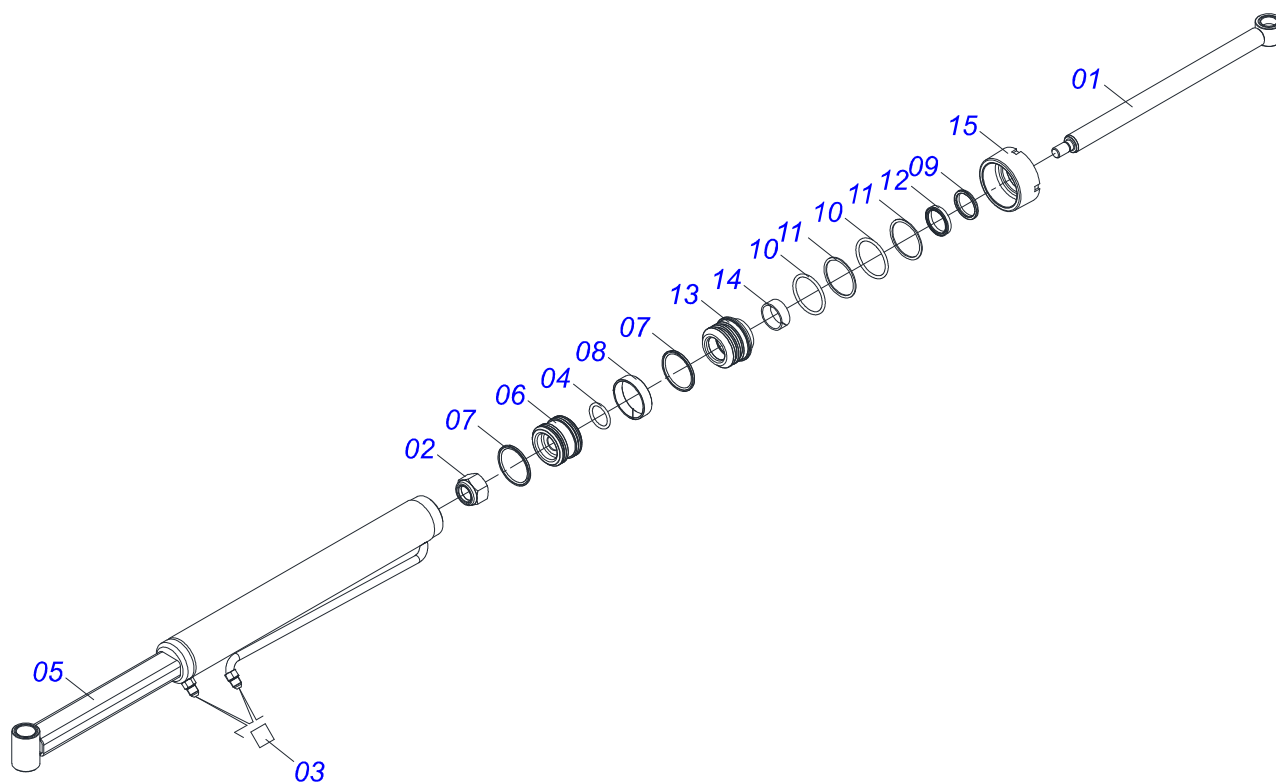
Item	Code	Description	See page	QT
01	0503010042	2-214 N 3006-9B O'RING		01
02	0503010170	PACKING 3120 2750		02
03	0503010761	D-1750 SCRAPER RING		01
04	0503010948	W4-3346-590 PK RING G.E		01
05	0503010949	W2-2000-500 PK RING G.E		01
06	0503010976	2-336 N 3006-9B O'RING		01
07	0503010990	GASKET		01
08	0503011060	8-336 BACK-UP RING		01
09	0503030385	CYLINDER PLUG N-002		02
10	0502010781	RING SUPPORT		01
11	0503010063	1" SELF-ALIGNING NUT		01
12	0502010843	1.8" X 3.4" PISTON		01
13	0502010993	DETACHABLE COVER		01
14	0521065701	44,45 X 820 EXTENDER PCA-T 1500		01
15	0521065699	85,72/85,80 X 725 CYLINDER CASE WITH LEFT CONECT		01



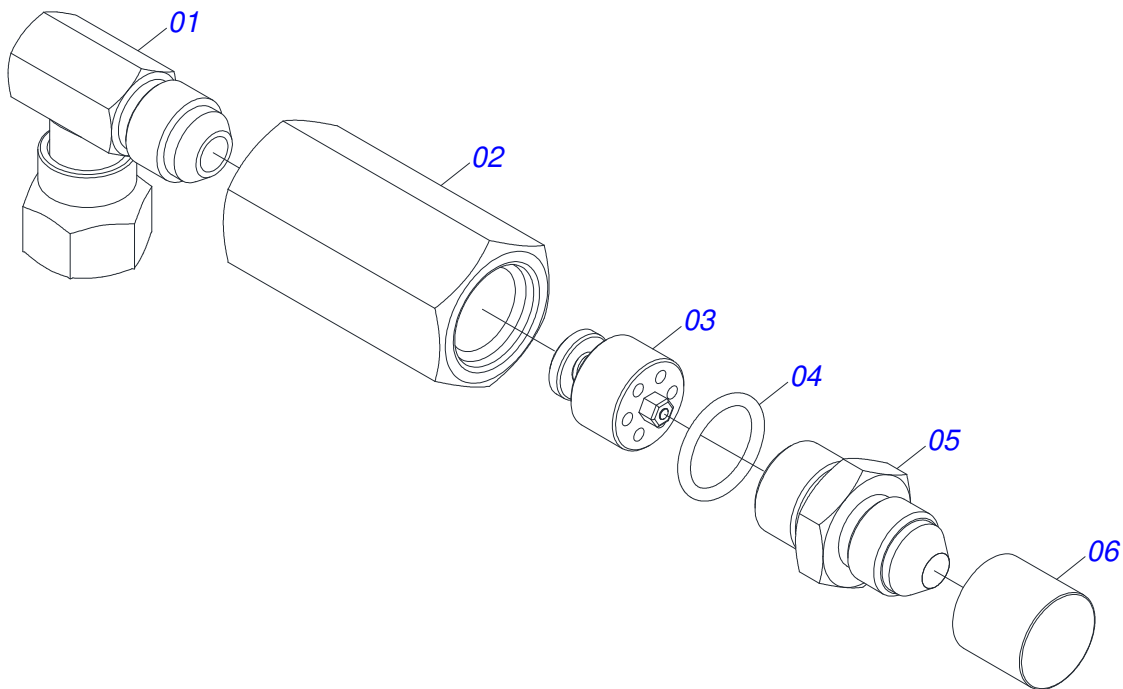
Item	Code	Description	See page	QT
01	0503010042	2-214 N 3006-9B O'RING		01
02	0503010170	PACKING 3120 2750		02
03	0503010761	D-1750 SCRAPER RING		01
04	0503010948	W4-3346-590 PK RING G.E		01
05	0503010949	W2-2000-500 PK RING G.E		01
06	0503010976	2-336 N 3006-9B O'RING		01
07	0503010990	GASKET		01
08	0503011060	8-336 BACK-UP RING		01
09	0503030385	CYLINDER PLUG N-002		02
10	0502010781	RING SUPPORT		01
11	0503010063	1" SELF-ALIGNING NUT		01
12	0502010843	1.8" X 3.4" PISTON		01
13	0502010993	DETACHABLE COVER		01
14	0521065701	44,45 X 820 EXTENDER PCA-T 1500		01
15	0521065700	85,72/85,80 X 725 CYLINDER CASE WITH RIGHT CONECT		01



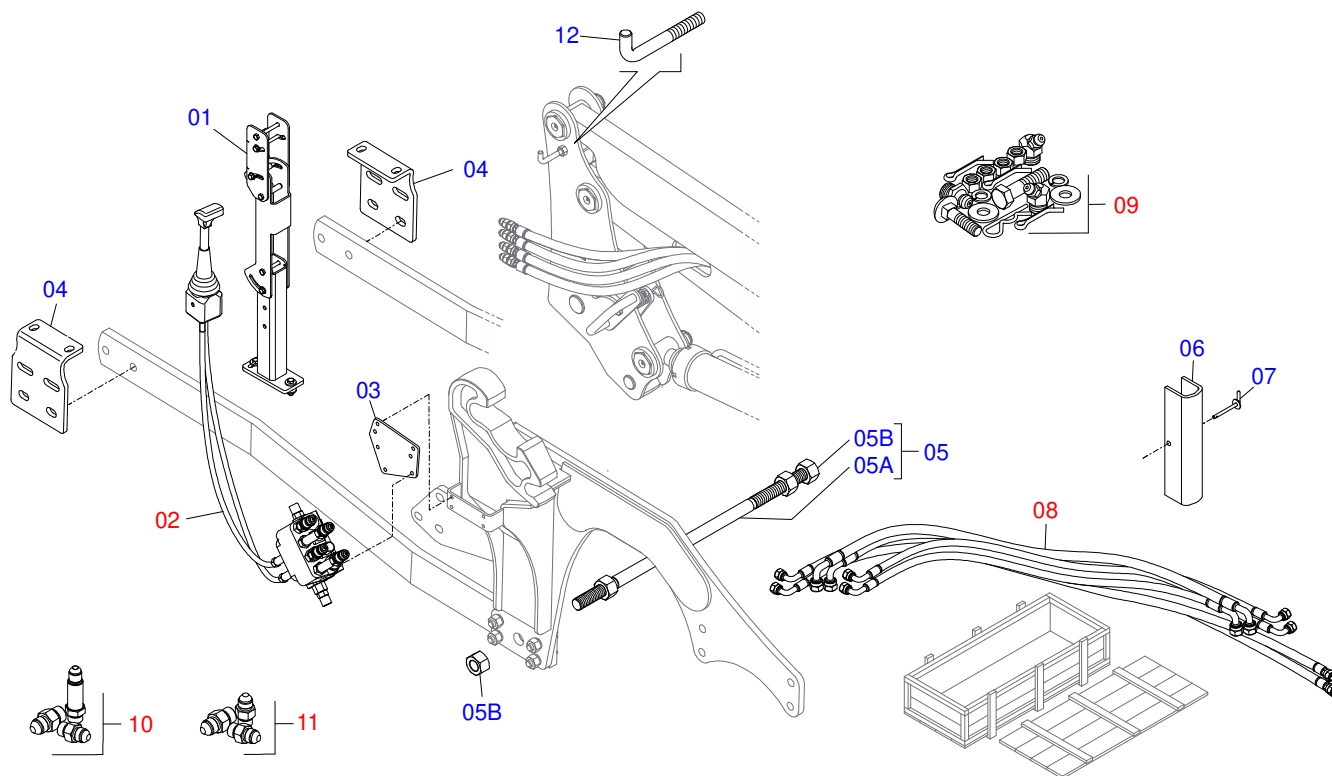
Item	Code	Description	See page	QT
01	0521065738	44,45 X 836 WELDED ROD PCA-T 1500 PLUS		01
02	0503010063	1" SELF-ALIGNING NUT		01
03	0503030385	CYLINDER PLUG N-002		02
04	0503010042	2-214 N 3006-9B O'RING		01
05	0521065737	LEFT CYLINDER CASE WITH EXTENDER		01
06	0581010304	PISTON		01
07	0503018138	RING BS		02
08	0503018140	RING GUIDE		01
09	0503010761	D-1750 SCRAPER RING		01
10	0503010343	2-334 N 3006-9B O'RING		02
11	0503011059	8-334 BACK-UP RING		02
12	0503017937	GASKET		01
13	0581010301	RING SUPPORT		01
14	0503017938	RING GUIDE		01
15	0502011899	MOBILE COVER		01



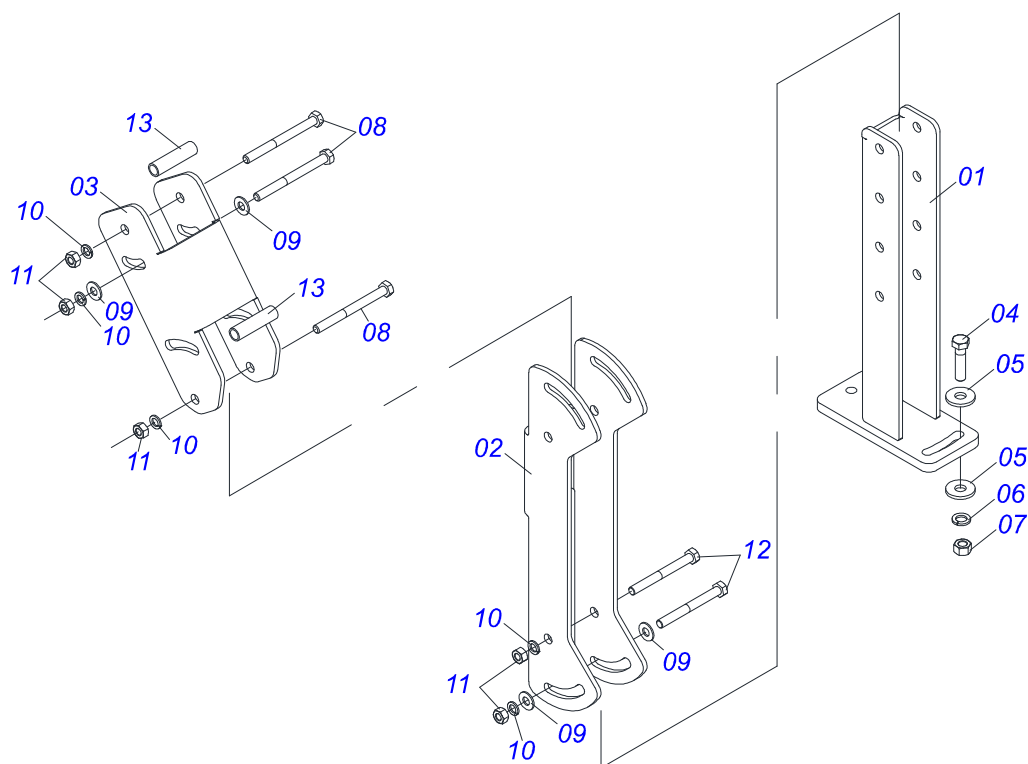
Item	Code	Description	See page	QT
01	0521065738	44,45 X 836 WELDED ROD PCA-T 1500 PLUS		01
02	0503010063	1" SELF-ALIGNING NUT		01
03	0503030385	CYLINDER PLUG N-002		02
04	0503010042	2-214 N 3006-9B O'RING		01
05	0521065704	RIGHT CYLINDER CASE WITH EXTENDER		01
06	0581010304	PISTON		01
07	0503018138	RING BS		02
08	0503018140	RING GUIDE		01
09	0503010761	D-1750 SCRAPER RING		01
10	0503010343	2-334 N 3006-9B O'RING		02
11	0503011059	8-334 BACK-UP RING		02
12	0503017937	GASKET		01
13	0581010301	RING SUPPORT		01
14	0503017938	RING GUIDE		01
15	0502011899	MOBILE COVER		01



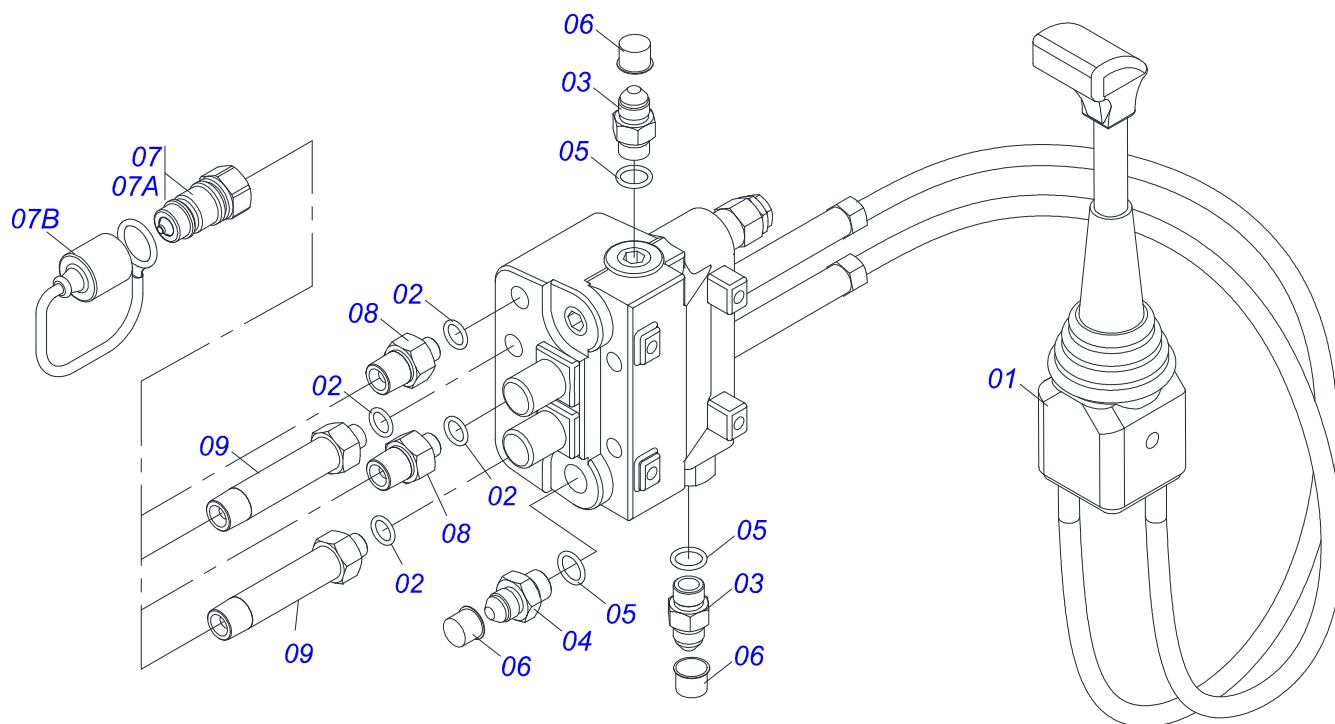
Item	Code	Description	See page	QT
01	0503018034	MALE KNEE JIC		01
02	0581014055	ADAPTER		01
03	0503016854	VALVE ASSY		01
04	0503010045	O'RING		01
05	0581014054	BSP 1/2" NIPPLE		01
06	0503030385	CYLINDER PLUG N-002		01



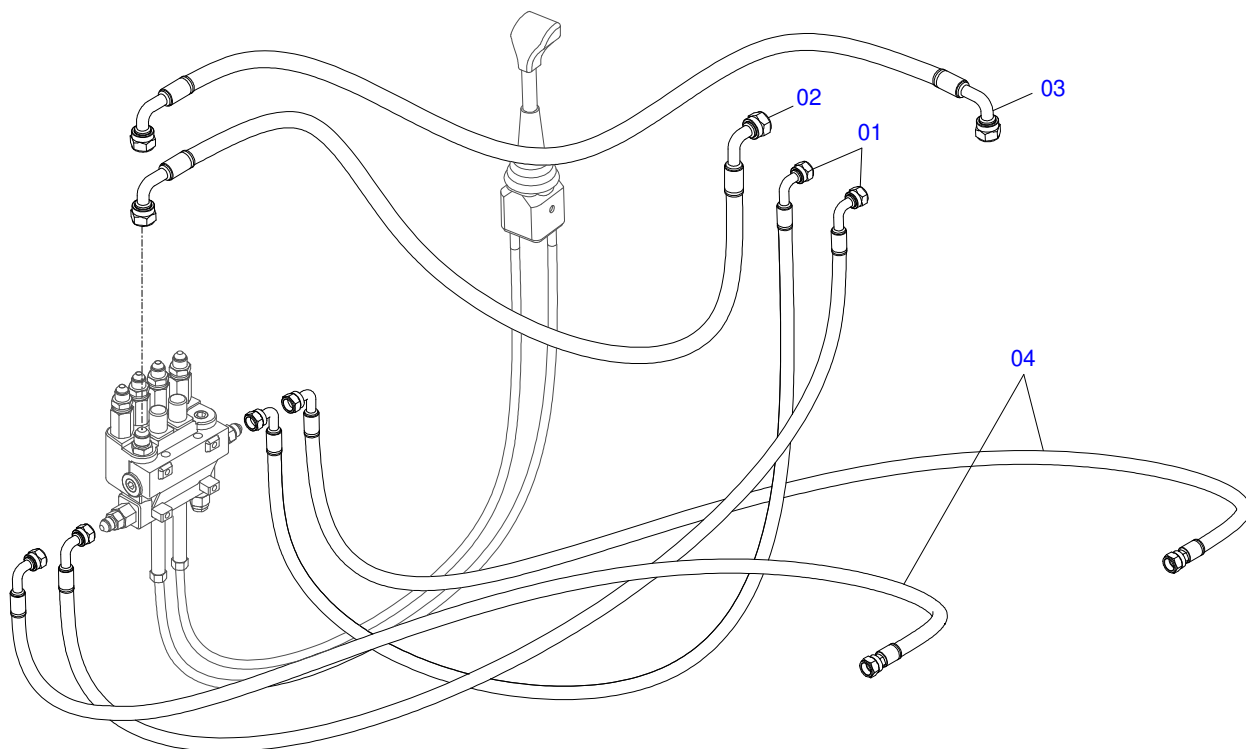
Item	Code	Description	See page	QT
01	0521045393	SET SUPPORT JOY STICK	18	01
02	0521045489	BLOCK COMMAND	19	01
03	0571019586	FIXER PLATE		01
04	0581010007	BACK SHOE		02
05	0501042819	1.1/4"NC X 33.46" ROD FULL		01
05A	0501018845	1.1/4" X 33.46" ROD		01
05B	0501010087	1.1/4" NUT		04
06	0531017238	LOCK TRANSPORT		02
07	0501068994	0.3" X 3.1"LOCK PIN		02
08	0521050542	HOSE GAME	20	01
09	0511031901	PACKAGED PARTS	23	01
10	0511032552	PACKED PARTS	21	01
11	0511032553	PACKED PARTS	22	01
12	0581010285	CONTROL LOCKING HOOK		01



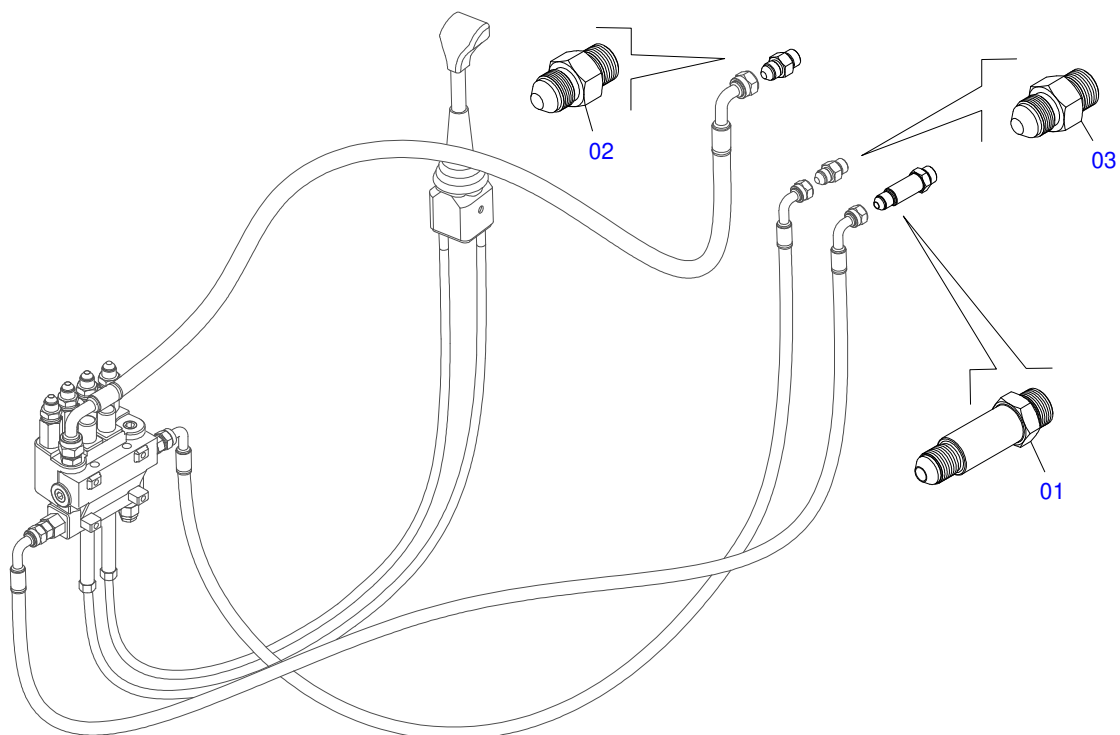
Item	Code	Description	See page	QT
01	0521065789	LOWER JOYSTICK SUPPORT		01
02	0571018376	CENTRAL BODY SUPPLEMENT OF JOYSTICK		01
03	0571018375	SUPERIOR BODY SUPPLEMENT OF JOYSTICK		01
04	0503010849	3/8" X 1-1/2" BOLT		02
05	0501010984	FLAT WASHER		02
06	0503010025	3/8" SPRING WASHER		02
07	0503010026	3/8" NUT		02
08	0503010848	5/16" X 3.1/2" BOLT		04
09	0501010694	8.5 X 18 X 1.5 FLAT WASHER		06
10	0503010179	5/16" ZN SPRING WASHER		06
11	0503010337	5/16" NUT		06
12	0503011053	5/16" X 3" C S 6.5 ZN BOLT		02
13	0541015551	0.39" X 0.512" X 1.9" SLEEVE		02



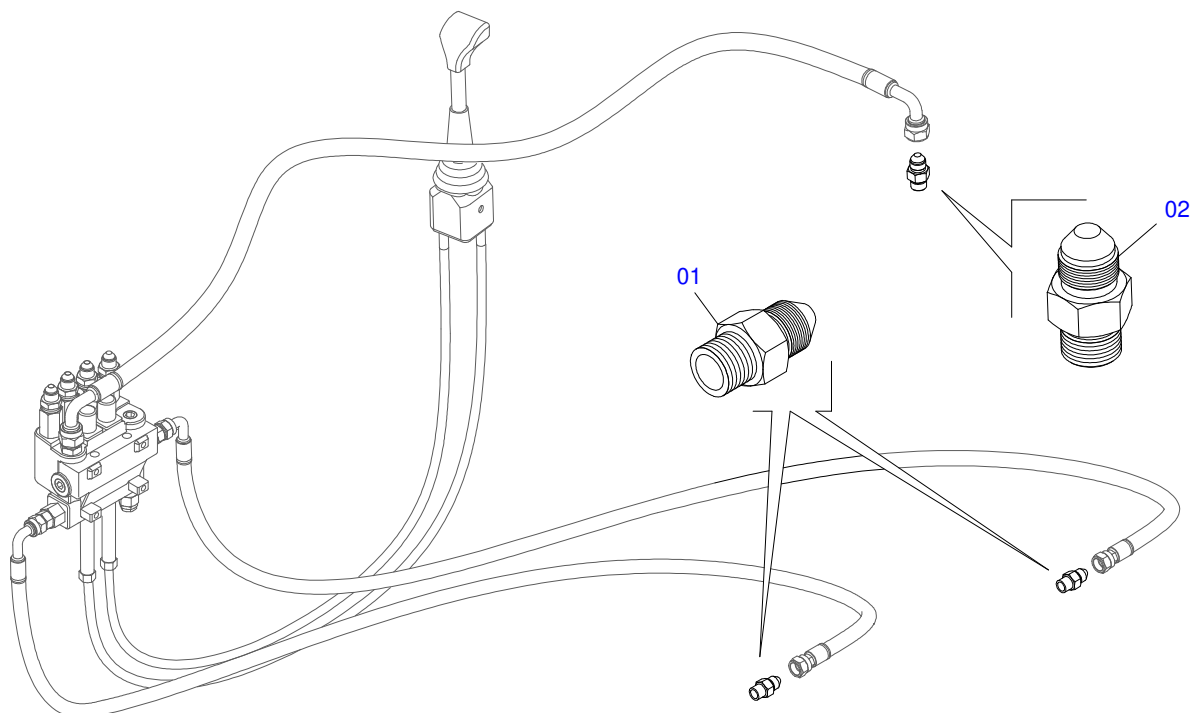
Item	Code	Description	See page	QT
01	0503062412	COMPLETE JOYSTICK CONTROL		01
02	0503011108	2-112 O'RING		04
03	0501010617	3/4" NIPPLE		02
04	0501011460	7/8 NF REDUCTION NIPPLE		01
05	0503010190	2-114 N 3006-9B O'RING		03
06	0503030385	CYLINDER PLUG N-002		03
07	0501053834	MALE QUICK COUPLER WITH CAP - 1/2 NPT		04
07A	0503011627	MALE QUICK COUPLER AGR 1/2 NPT		01
07B	0503011882	MALE QUICK COUPLER CAP		01
08	0571018717	ADAPTER		02
09	0571018716	ADAPTER		02



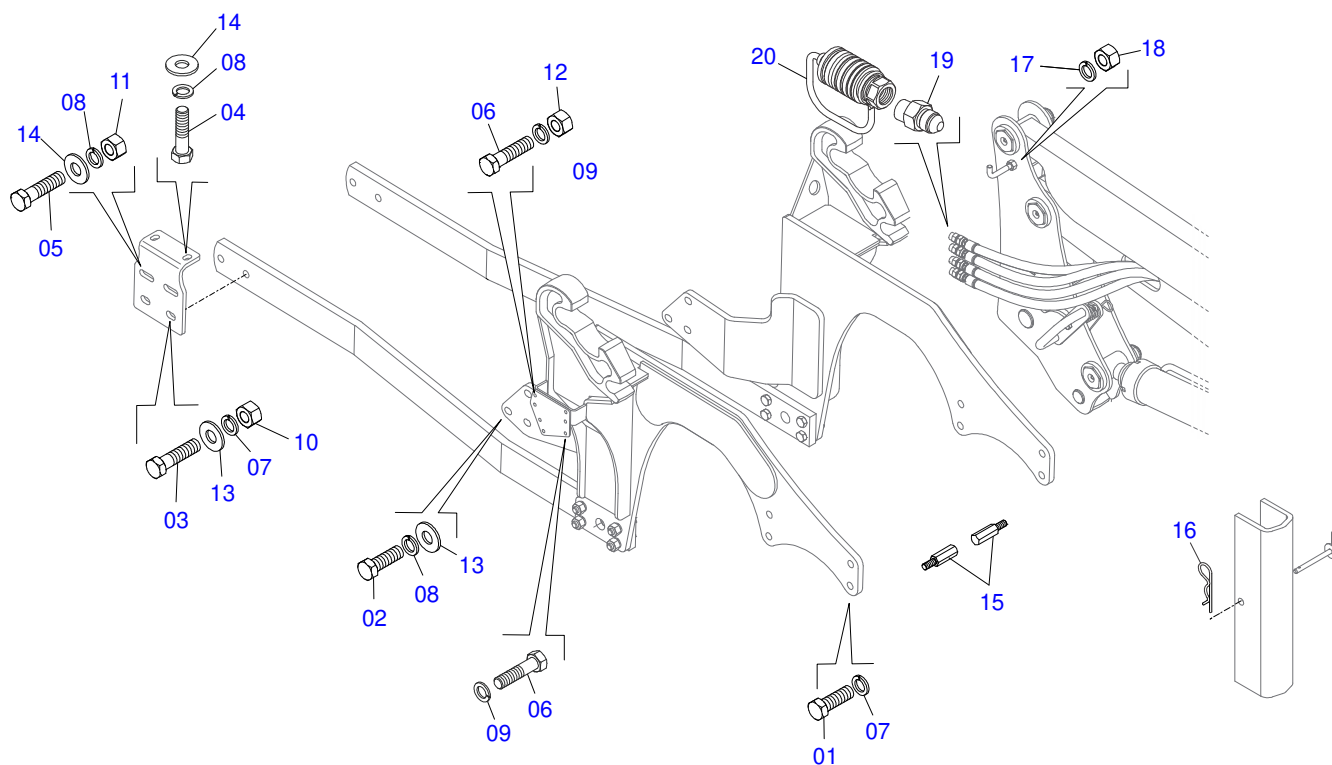
Item	Code	Description	See page	QT
01	0501080931	3/8" X 39" TC-TC HOSE ASSY		02
02	0501081293	1/2 X 1100 TC-TC HOSE		01
03	0501081413	HOSE 1/2 X 1350 TC-TC		01
04	0501080436	HOSE 3/8 X 1500 TR-TC		02



Item	Code	Description	See page	QT
01	0581013248	NIPLE R. 3/4" UNF X R. M21 X 1,75 X 90 PCA-T PLUS		01
02	0571019992	NIPLE R.7/8"UNF X R.M21 X 1,75 X 46 PD LS PLUS 90		01
03	0581013250	NIPLE R.3/4" UNF X R. M21 X 1,75 X 46 PCA-T PLUS		01



Item	Code	Description	See page	QT
01	0581013249	NIPLE R.3/4"UNF X M24(SEXT. 1.1/8") PLUS	PCA-T	02
02	0581013247	NIPLE 7/8" UNF X 13/16" UNC X 51		01



Item	Code	Description	See page	QT
01	0503011322	M20 X 2,5 X 50 BOLT	14	
02	0503011258	M18 X 1,5 X 65 BOLT	06	
03	0501010500	3/4"X3"BOLT	09	
04	0503011399	M16 X 1,5 X 50 BOLT	04	
05	0501010100	SCREW 5/8 UNC X 2 CS G.5 ZN	04	
06	0503010371	5/16" X 1" BOLT	07	
07	0503010023	3/4" SPRING WASHER	17	
08	0503010027	5/8" SPRING WASHER	20	
09	0503010179	5/16" ZN SPRING WASHER	07	
10	0503010014	3/4" NUT	12	
11	0503010013	5/8" NUT	04	
12	0503010337	5/16" NUT	04	
13	0501010322	FLAT WASHER	10	
14	0501012140	FLAT WASHER	14	
15	0581013650	TURNING RADIUS LIMITER (80)	02	
16	0503030168	HAIR PIN	02	
17	0503010019	1/2" SPRING WASHER	01	
18	0503010060	1/2" NUT	02	
19	0571015342	3/4" NIPLE	04	
20	0501053835	FEMALE QUICK COUPLER	04	



MARCHESAN

Technical Publications | Elaboration and Revision
JOÃO VIRGINIO ROCHA

www.marchesan.com.br

