

**PCA T | PCA PLUS - AGRICULTURAL FRONT LOADER**

# PCA-T PLUS 1500 LS 90 BT CD JS S/AR ESP PAC

**Code:** 0501092020

**Series:** S-0715

**Revision:** 00

**Date Revision:** ABRIL/2021

# PARTS CATALOGUE



**MARCHESAN**



# PRODUCTS

| Code       | Description                                 |
|------------|---|
| 0106111578 | PCA-T PLUS 1500 LS 90 BT CD JS S/AR ESP PAC |

## ATTENTION: IMPORTANT

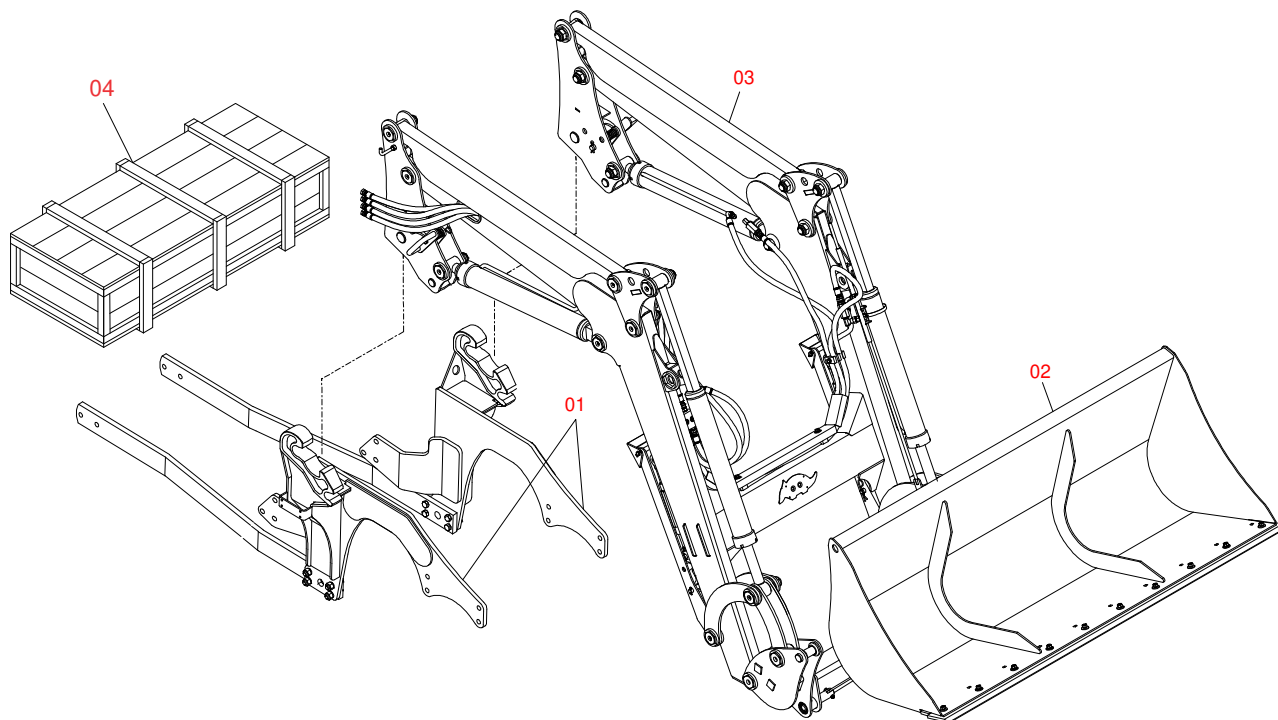
Marchesan S.A. reserves the right to improve and/or modify the technical features of its products, without obligation to do the same with those products already sold and without prior knowledge of the dealer or the consumer. The photos are only illustrative.



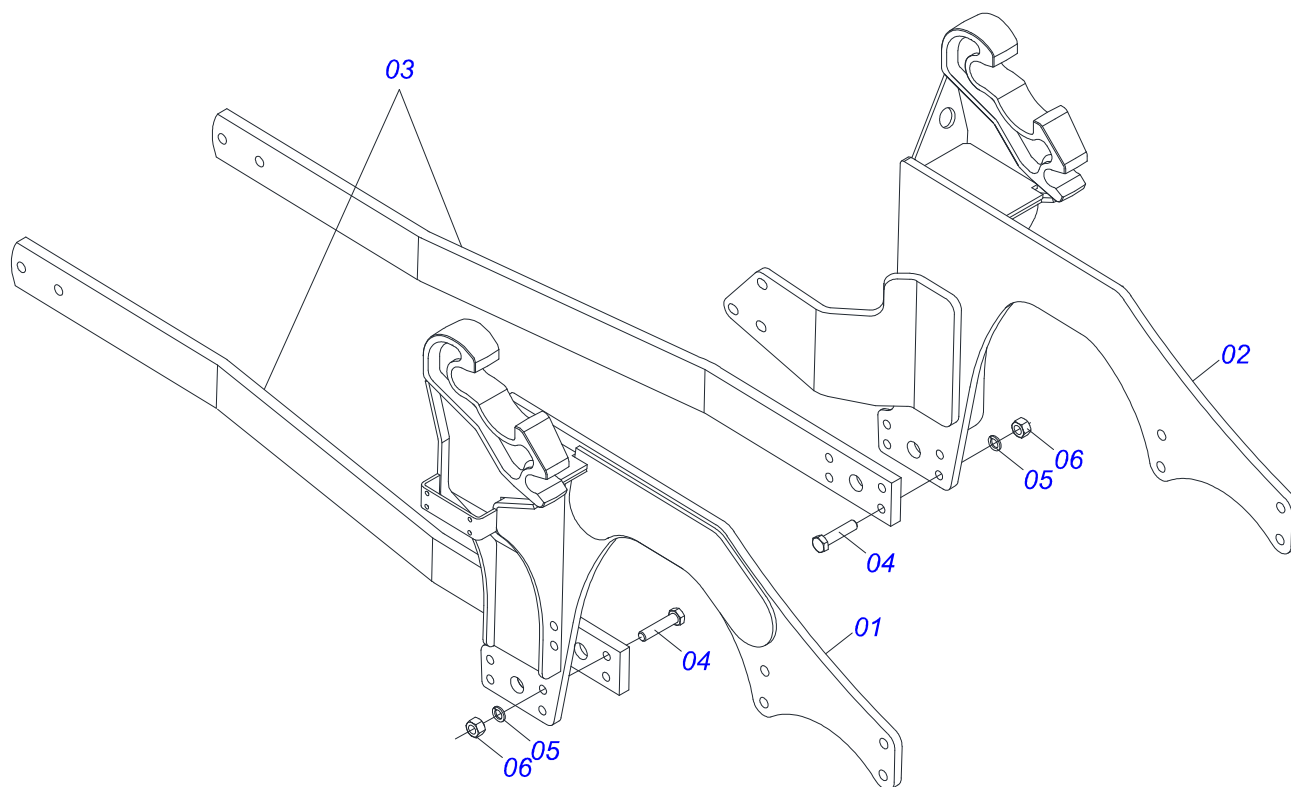
**MARCHESAN**

# INDEX

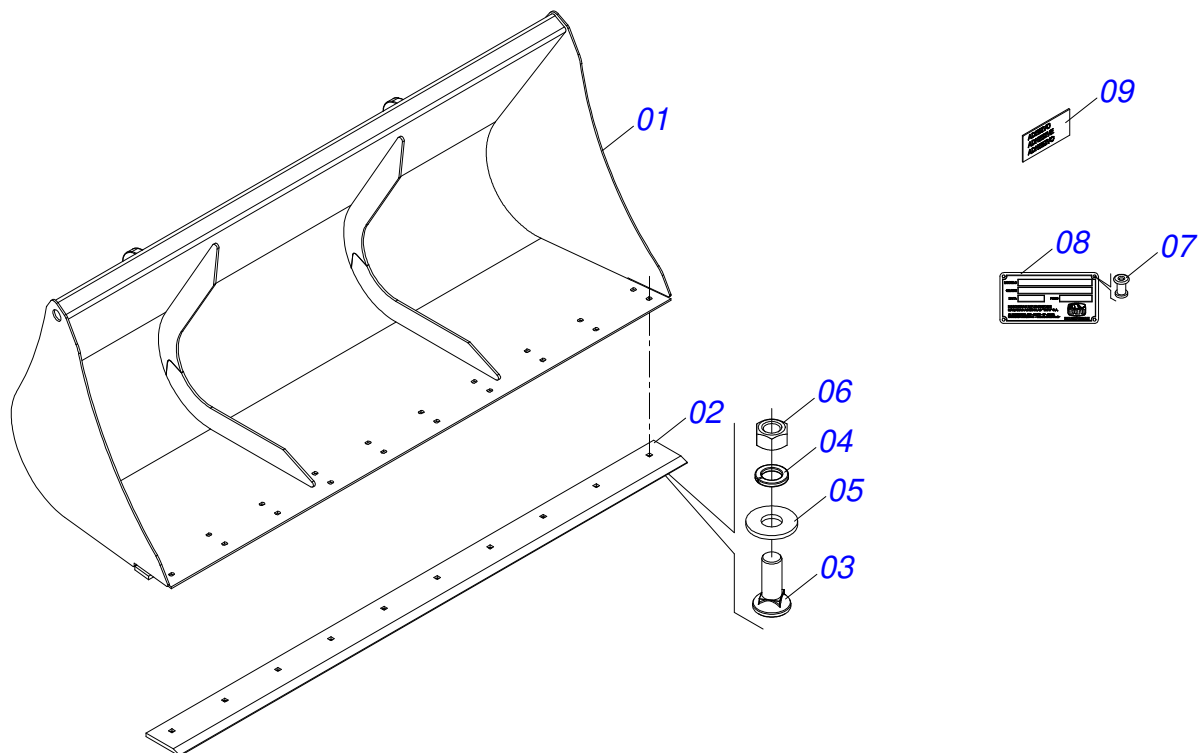
|            |   |       |    |
|------------|---|-------|----|
| 0106111578 | PCA-T PLUS 1500 LS 90 BT CD JS S/AR ESP PAC     | ..... | 1  |
| 0521045906 | FRAME ASSEMBLY WITH DRAWBAR                     | ..... | 2  |
| 0521045369 | ASSY 2100 PAC                                   | ..... | 3  |
| 0521045360 | FULL MOBILE SUPPORT                             | ..... | 4  |
| 0511056982 | HOSE SET MOBILE SUPPORT                         | ..... | 5  |
| 0909093615 | ARTICULATOR SET                                 | ..... | 6  |
| 0909092475 | RESTING WITH NUT MOUNT HOLDER                   | ..... | 7  |
| 0909092675 | TOWER - MOBILE SUPPORT                          | ..... | 8  |
| 0909093612 | ARTICULATOR SUPPORT ASSEMBLY                    | ..... | 9  |
| 0909093600 | MOBILE SUPPORT PCA-T 1500 VTR COMPLETE          | ..... | 10 |
| 0909093601 | BLOCK COMMAND HFB0150331                        | ..... | 11 |
| 0909093602 | HYDRAULIC CYLINDER ASSEMBLY - PCA PLUS 1500 VTR | ..... | 12 |
| 0521045321 | HYDRAULIC CYLINDER LEFT                         | ..... | 13 |
| 0521045322 | HYDRAULIC CYLINDER RIGHT                        | ..... | 14 |
| 0511058221 | HYDRAULIC CYLINDER LEFT                         | ..... | 15 |
| 0511058222 | HYDRAULIC CYLINDER RIGHT                        | ..... | 16 |
| 0511057772 | SECURITY VALVE ASSY                             | ..... | 17 |
| 0521021910 | BOX WITH COMPONENTS                             | ..... | 18 |
| 0521045393 | SET SUPPORT JOY STICK                           | ..... | 19 |
| 0521045489 | BLOCK COMMAND                                   | ..... | 20 |
| 0521050542 | HOSE GAME                                       | ..... | 21 |
| 0511032552 | PACKED PARTS                                    | ..... | 22 |
| 0511032553 | PACKED PARTS                                    | ..... | 23 |
| 0511031901 | PACKAGED PARTS                                  | ..... | 24 |



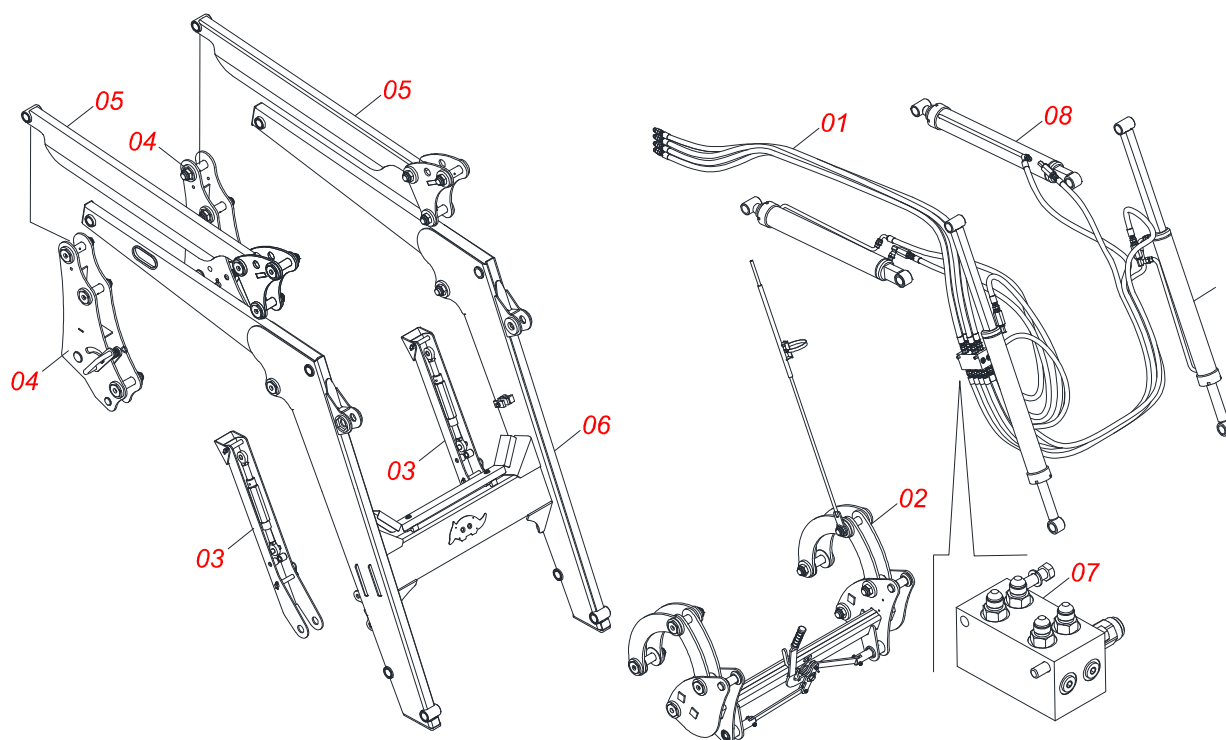
| Item | Code       | Description                 | See page | QT |
|------|------------|-----------------------------|----------|----|
| 01   | 0521045906 | FRAME ASSEMBLY WITH DRAWBAR | 2        | 01 |
| 02   | 0521045369 | ASSY 2100 PAC               | 3        | 01 |
| 03   | 0521045360 | FULL MOBILE SUPPORT         | 4        | 01 |
| 04   | 0521021910 | BOX WITH COMPONENTS         | 18       | 01 |



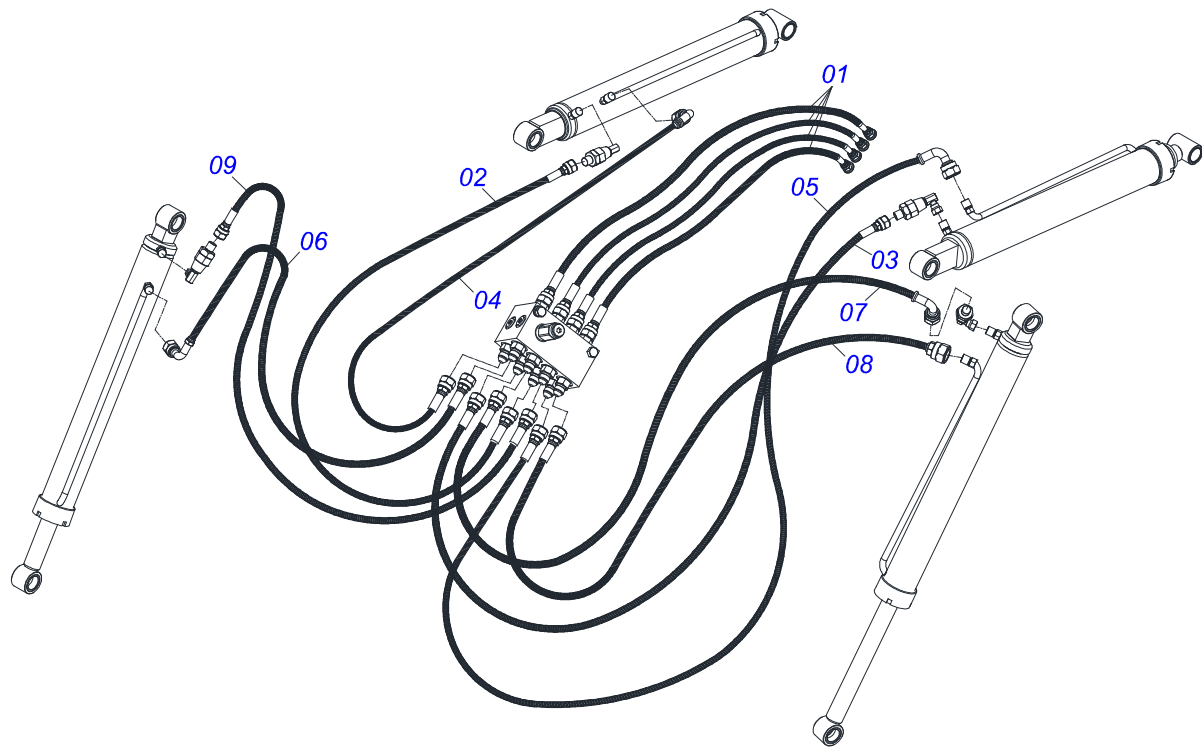
| Item | Code       | Description             | See page | QT |
|------|------------|-------------------------|----------|----|
| 01   | 0521066434 | RIGHT FRAME             |          | 01 |
| 02   | 0521066433 | LEFT FRAME              |          | 01 |
| 03   | 0571019990 | FRAME BACK MOUNTING BAR |          | 02 |
| 04   | 0501010500 | 3/4"X3"BOLT             |          | 04 |
| 05   | 0503010023 | 3/4" SPRING WASHER      |          | 04 |
| 06   | 0503010014 | 3/4" NUT                |          | 04 |



| Item | Code       | Description                | See page | QT |
|------|------------|----------------------------|----------|----|
| 01   | 0531060876 | BUCKET 2100                |          | 01 |
| 02   | 0571018131 | 2105 BUCKET SCRAPER        |          | 01 |
| 03   | 0503012956 | 1/2" X 1-1/2" BOLT         |          | 10 |
| 04   | 0503011440 | SPRING WASHER              |          | 10 |
| 05   | 0511017302 | FLAT WASHER                |          | 10 |
| 06   | 0503812682 | NUT (BSW)                  |          | 10 |
| 07   | 0503010001 | 3.2 X 5.5 RIVET            |          | 04 |
| 08   | 0503034003 | SERIAL NUMBER TAG 61 X 118 |          | 01 |
| 09   | 0503033428 | ADHESIVE LABEL             |          | 01 |



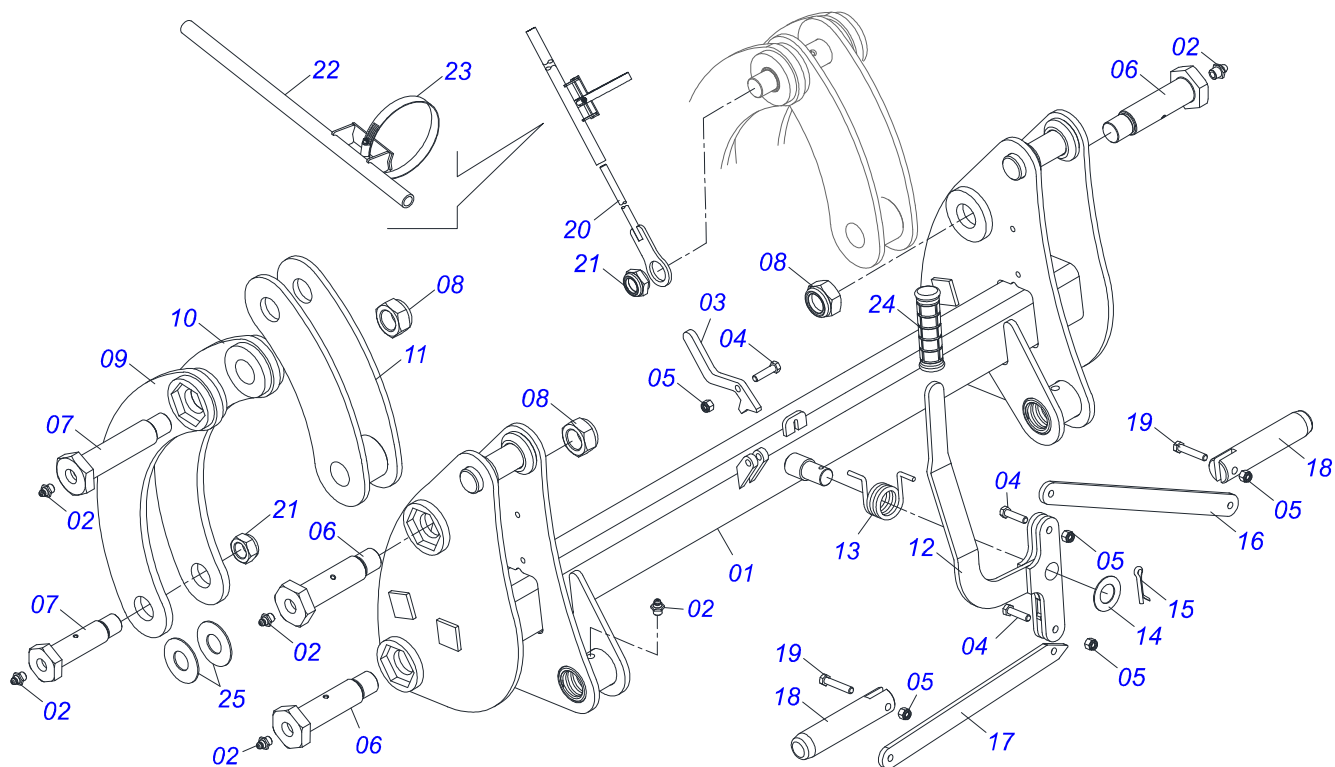
| Item | Code       | Description                                     | See page | QT |
|------|------------|---|----------|----|
| 01   | 0511056982 | HOSE SET MOBILE SUPPORT                         | 5        | 01 |
| 02   | 0909093615 | ARTICULATOR SET                                 | 6        | 01 |
| 03   | 0909092475 | RESTING WITH NUT MOUNT HOLDER                   | 7        | 02 |
| 04   | 0909092675 | TOWER - MOBILE SUPPORT                          | 8        | 02 |
| 05   | 0909093612 | ARTICULATOR SUPPORT ASSEMBLY                    | 9        | 02 |
| 06   | 0909093600 | MOBILE SUPPORT PCA-T 1500 VTR COMPLETE          | 10       | 01 |
| 07   | 0909093601 | BLOCK COMMAND HFB0150331                        | 11       | 01 |
| 08   | 0909093602 | HYDRAULIC CYLINDER ASSEMBLY - PCA PLUS 1500 VTR | 12       | 01 |



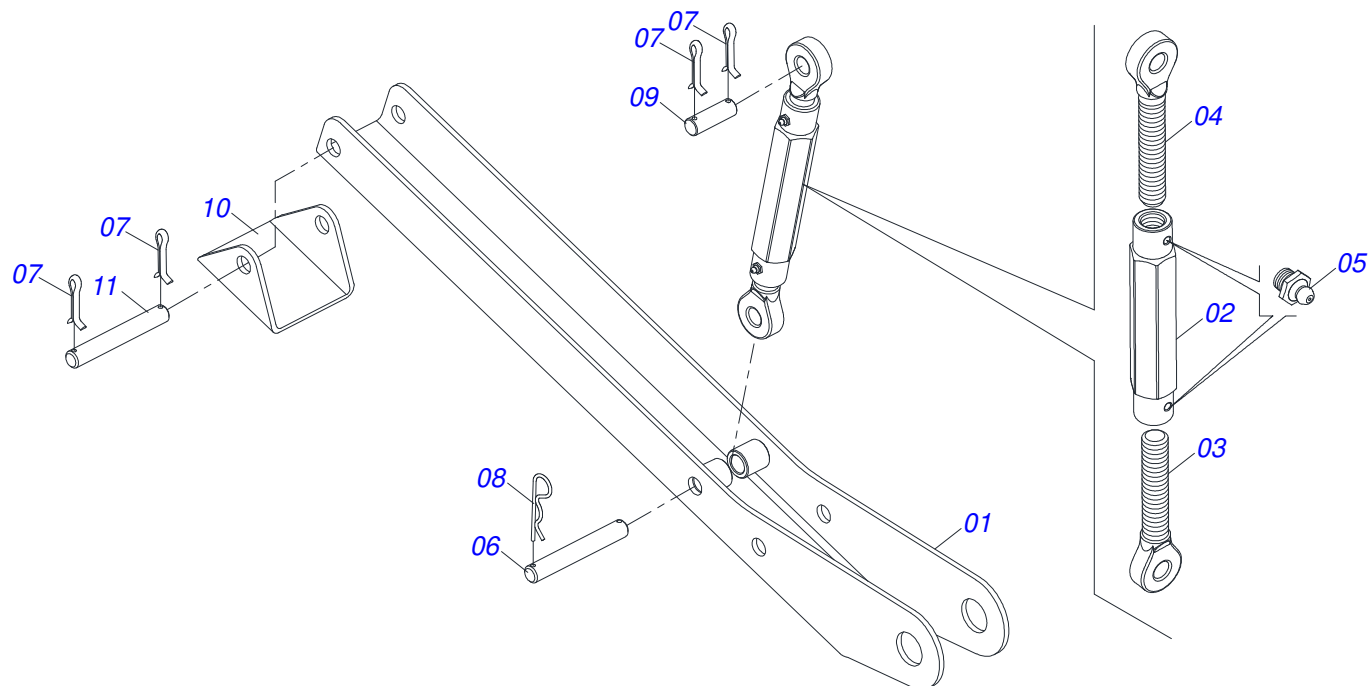
| Item | Code       | Description                  | See page | QT |
|------|------------|------------------------------|----------|----|
| 01   | 0501080452 | 3/8" X 98" TR-TR HOSE        |          | 04 |
| 02   | 0501080439 | 3/8" X 43" TR-TR HOSE ASSY   |          | 01 |
| 03   | 0501080483 | 3/8" X 86,6" TR-TR HOSE      |          | 01 |
| 04   | 0501080348 | 3/8 X 1200 TR-TC HOSE        |          | 01 |
| 05   | 0501080412 | 3/8" X 90,55" TR-TC HOSE     |          | 01 |
| 06   | 0501080375 | 3/8 X 600 TR-TC HOSE         |          | 01 |
| 07   | 0501080419 | 3/8 X 2100 TR-TC HOSE        |          | 01 |
| 08   | 0501080320 | 3/8" X 82,6" TR-TR HOSE      |          | 01 |
| 09   | 0501080027 | 3/8" X 39,3" TR-TR HOSE ASSY |          | 01 |



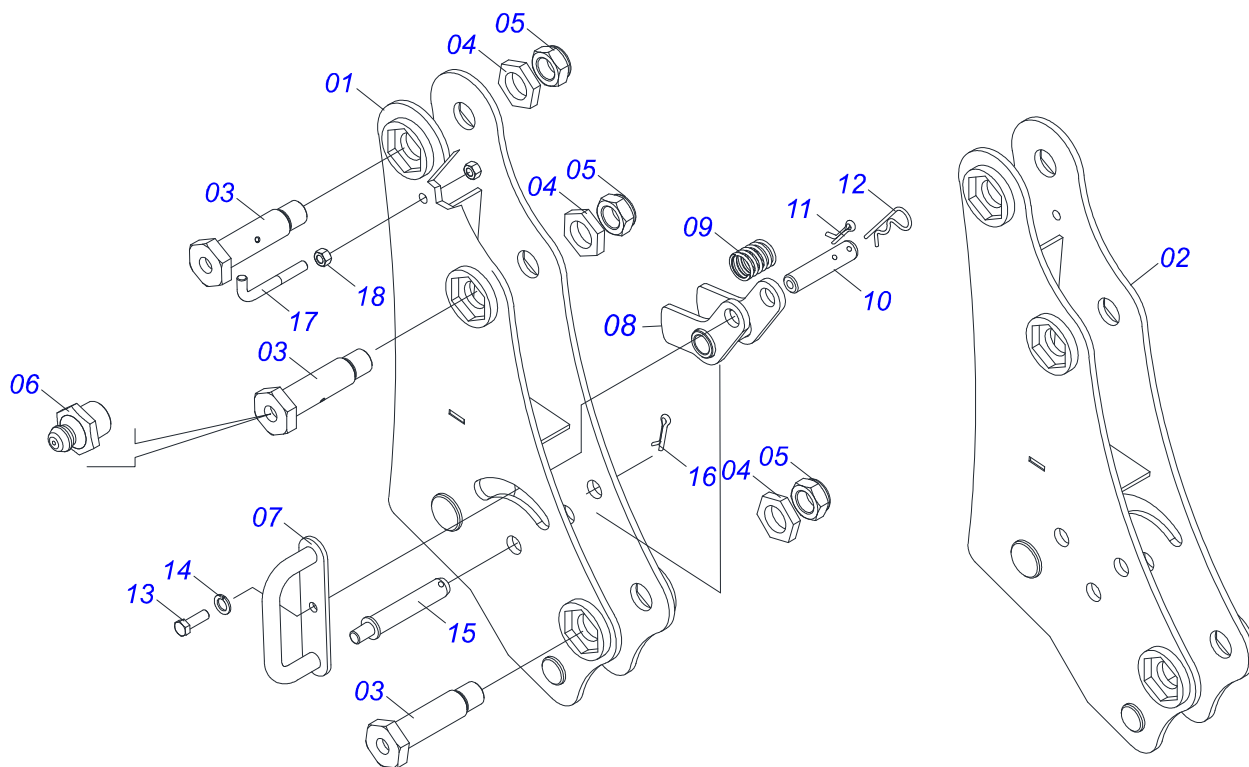
ARTICULATOR SET



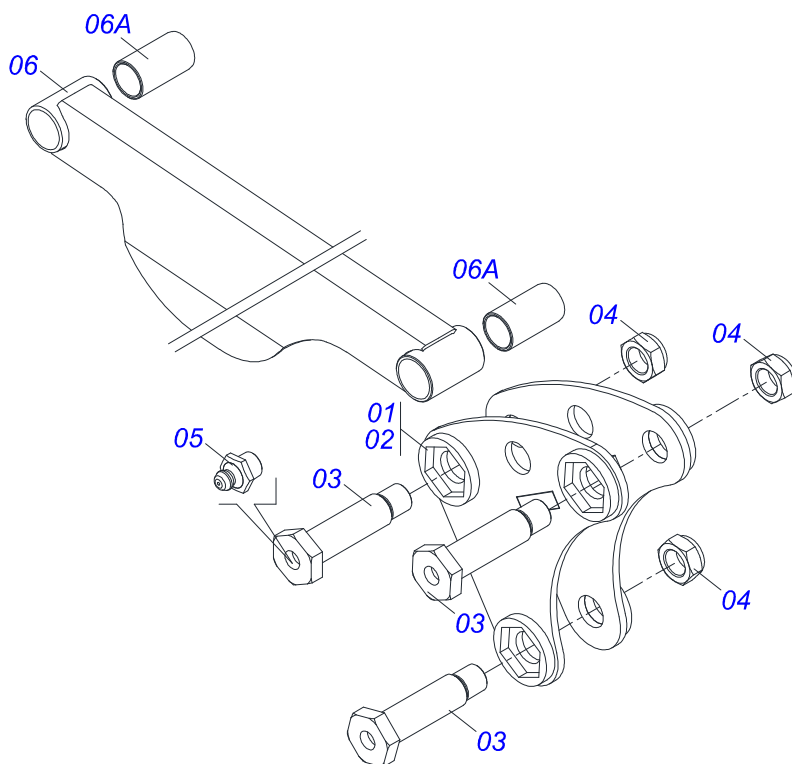
| Item | Code       | Description                       | See page | QT |
|------|------------|-----------------------------------|----------|----|
| 01   | 0521065697 | ARTICULATOR                       |          | 01 |
| 02   | 0503010002 | 1800 GREASE FITTING               |          | 10 |
| 03   | 0571018934 | PENDULUM LOCKS                    |          | 01 |
| 04   | 0503010849 | 3/8" X 1-1/2" BOLT                |          | 03 |
| 05   | 0503013357 | 3/8" SELF-ADJUSTING NUT           |          | 05 |
| 06   | 0571018264 | 1.1/4" UNF X 149 ZN BOLT          |          | 04 |
| 07   | 0571018245 | 1.1/4" UNF X 139 BOLT             |          | 04 |
| 08   | 0503010044 | 1-1/4" SELF LOCKING NUT           |          | 07 |
| 09   | 0521065744 | EXTERNAL ARM OF THE ARTICULATOR   |          | 02 |
| 10   | 0521065750 | INNER ARM OF ARTICULATOR          |          | 02 |
| 11   | 0521065743 | ARTICULATION                      |          | 02 |
| 12   | 0521065888 | LEVER                             |          | 01 |
| 13   | 0503034192 | TORSION SPRING                    |          | 01 |
| 14   | 0561811883 | 28,5 X 51,5 X 1,50 SA FLAT WASHER |          | 01 |
| 15   | 0503010523 | 1/4" X 2" COTTERPIN               |          | 01 |
| 16   | 0571018935 | SPRING SUPPORT ARM                |          | 01 |
| 17   | 0571018125 | RIGHT ARM OF THE UNLOCK           |          | 01 |
| 18   | 0571018129 | PIN LOCK ACCESSORY                |          | 02 |
| 19   | 0503011236 | 3/8" X 2" BOLT                    |          | 02 |
| 20   | 0521066413 | LEVEL ROD                         |          | 01 |
| 21   | 0571018205 | 1.1/4"XUNF NUT WITH RECESS        |          | 01 |
| 22   | 0521066412 | TIE ROD GUIDE                     |          | 01 |
| 23   | 0503011372 | 102 TO 121 CLAMP                  |          | 01 |
| 24   | 0503037382 | Ø25 X 120 PVC HANDLE              |          | 01 |
| 25   | 0551014871 | FLAT WASHER                       |          | 04 |



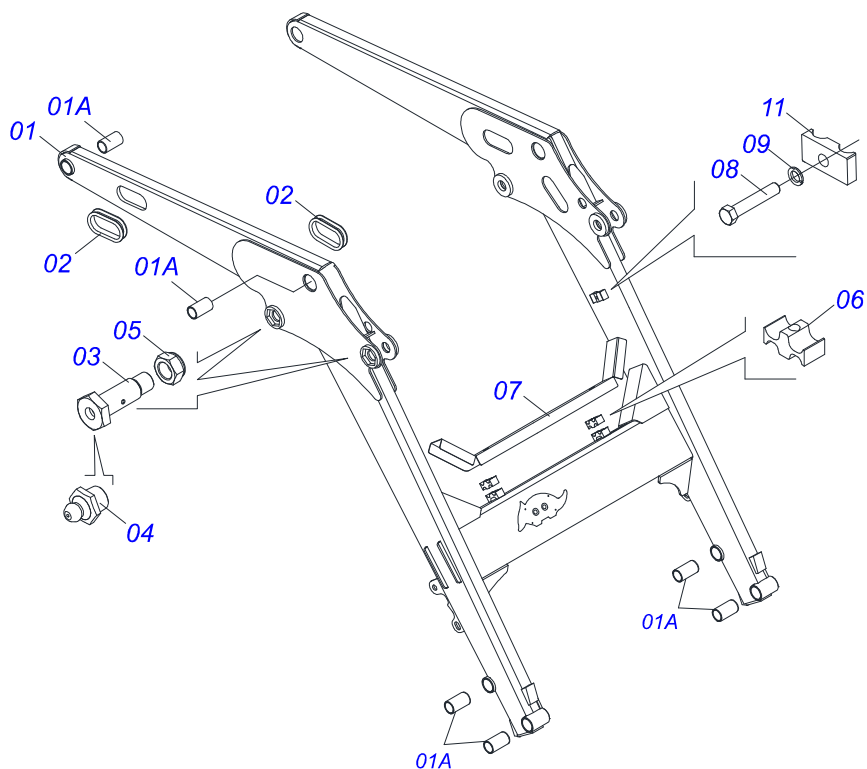
| Item | Code       | Description                          | See page | QT |
|------|------------|--------------------------------------|----------|----|
| 01   | 0521065756 | PLOUGH SUPPORT BODY                  | 02       | 02 |
| 02   | 0502012530 | REGULATOR NUT BODY R1                | 02       | 02 |
| 03   | 0502012562 | LEFT SPINDLE R1 X 160                | 02       | 02 |
| 04   | 0502012529 | RIGHT SPINDLE R1 X 160               | 02       | 02 |
| 05   | 0503010002 | 1800 GREASE FITTING                  | 04       | 04 |
| 06   | 0511013598 | 3/4" X 4.7" COUPLING SHAFT           | 02       | 02 |
| 07   | 0503010071 | 3/16" X 1" COTTERPIN                 | 06       | 06 |
| 08   | 0503030012 | HAIR PIN                             | 02       | 02 |
| 09   | 0561015578 | 3/4 X 56 PCA VTR A750 COUPLING SHAFT | 02       | 02 |
| 10   | 0571018252 | REST BASE                            | 02       | 02 |
| 11   | 0521012777 | COUPLING SHAFT                       | 02       | 02 |



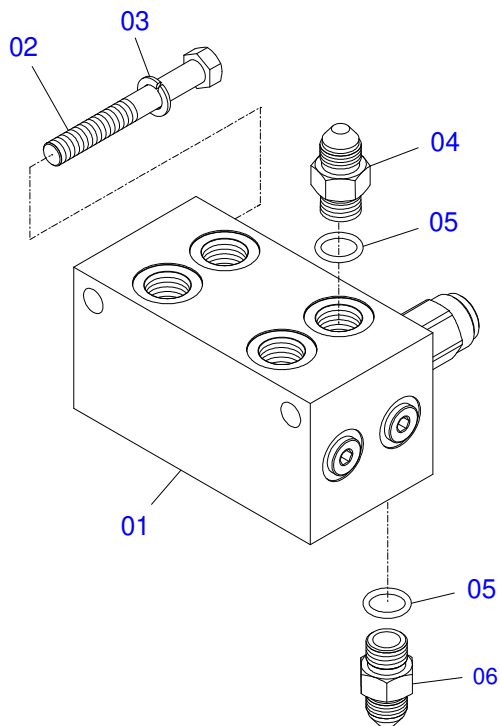
| Item | Code       | Description  | See page | QT |
|------|------------|--|----------|----|
| 01   | 0521065884 | RIGHT TOWER  |          | 01 |
| 02   | 0521065883 | LEFT TOWER   |          | 01 |
| 03   | 0571018264 | 1.1/4" UNF X 149 ZN BOLT                                 |          | 06 |
| 04   | 0581010243 | WASHER HEX   |          | 06 |
| 05   | 0503010044 | 1-1/4" SELF LOCKING NUT                                  |          | 06 |
| 06   | 0503010002 | 1800 GREASE FITTING                                      |          | 06 |
| 07   | 0521065755 | ARTICULATION CABLE                                       |          | 02 |
| 08   | 0521065885 | LATCH MOBILE TOWER                                       |          | 02 |
| 09   | 0503034112 | ØI 30 X 45 X Ø4,00 COMPRESSION SPRING<br>PCA-T PLUS 1500 |          | 02 |
| 10   | 0571018244 | LATCH PIN PCA-T 1500                                     |          | 02 |
| 11   | 0503010523 | 1/4" X 2" COTTERPIN                                      |          | 02 |
| 12   | 0503030012 | HAIR PIN   |          | 02 |
| 13   | 0503010920 | 1/2" X 1.1/2" BOLT                                       |          | 02 |
| 14   | 0503010019 | 1/2" SPRING WASHER                                       |          | 02 |
| 15   | 0571018243 | LOCK FIXATION SHAFT PCA-T 1500                           |          | 02 |
| 16   | 0503010523 | 1/4" X 2" COTTERPIN                                      |          | 02 |
| 17   | 0581010285 | CONTROL LOCKING HOOK                                     |          | 01 |
| 18   | 0503810060 | NUT 1/2 NC S SA  |          | 02 |
| 19   | 0503010019 | 1/2" SPRING WASHER                                       |          | 01 |



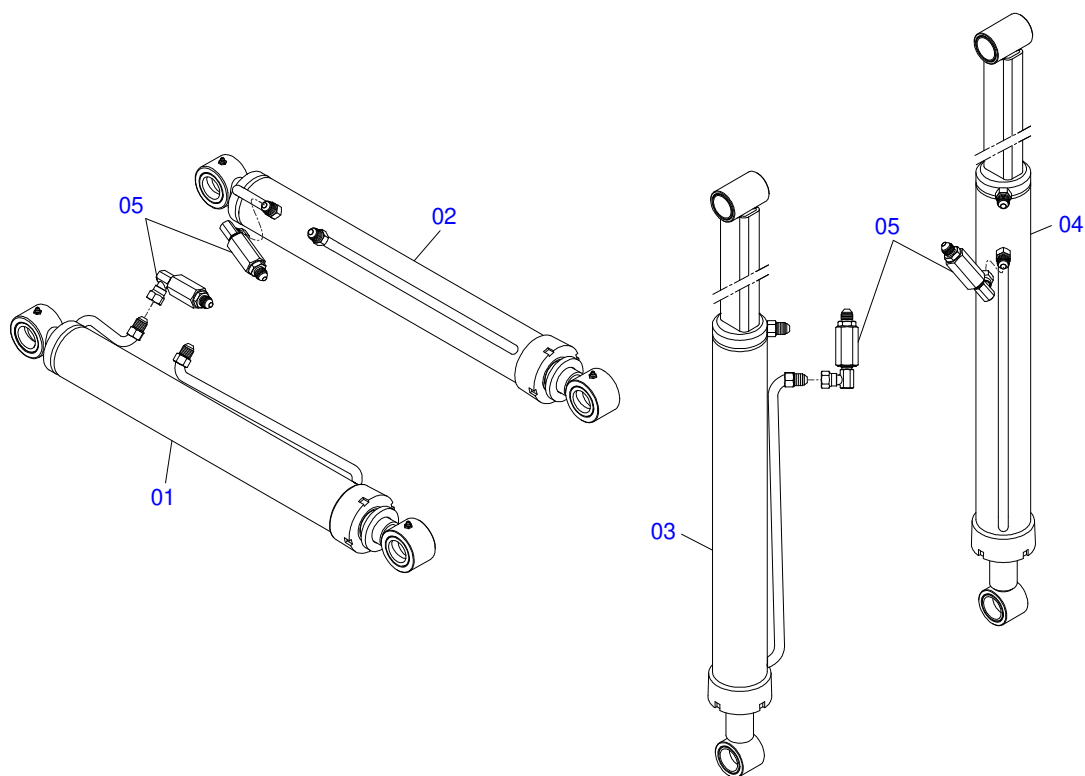
| Item | Code       | Description                             | See page | QT |
|------|------------|---|----------|----|
| 01   | 0521065745 | RIGHT JOINT                             |          | 01 |
| 02   | 0521065751 | LEFT JOINT                              |          | 01 |
| 03   | 0571018264 | 1.1/4" UNF X 149 ZN BOLT                |          | 06 |
| 04   | 0503010044 | 1-1/4" SELF LOCKING NUT                 |          | 06 |
| 05   | 0503010002 | 1800 GREASE FITTING                     |          | 06 |
| 06   | 0521065746 | PANTOGRAPHIC ARM PCA-T 1500             |          | 02 |
| 06A  | 0571018080 | BUSHING Ø37,70 X Ø45,15 X 80 PCA-T 1500 |          | 04 |



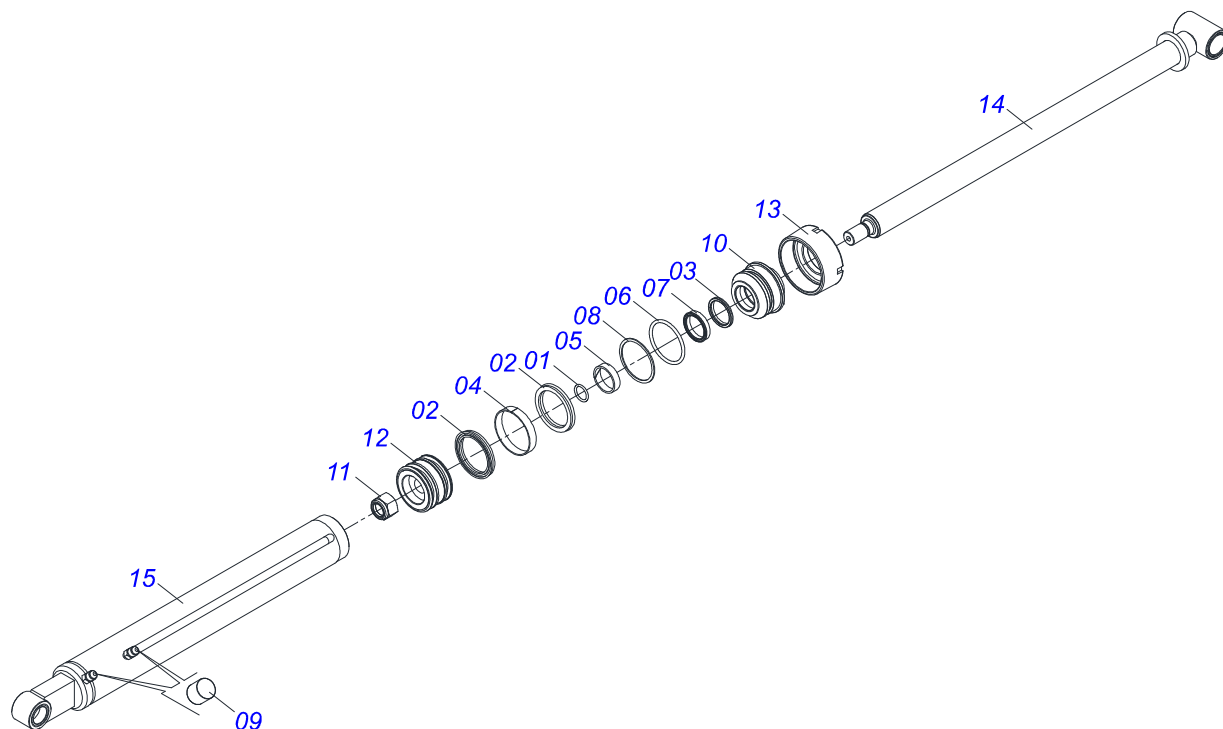
| Item | Code       | Description                             | See page | QT |
|------|------------|---|----------|----|
| 01   | 0521065742 | MOBILE SUPPORT                          |          | 01 |
| 01A  | 0571018080 | BUSHING Ø37,70 X Ø45,15 X 80 PCA-T 1500 |          | 08 |
| 02   | 0503034364 | HOSE PROTECTOR                          |          | 02 |
| 03   | 0581013575 | 1.1/4 UNF X 85 BOLT                     |          | 04 |
| 04   | 0503010002 | 1800 GREASE FITTING                     |          | 04 |
| 05   | 0503010044 | 1-1/4" SELF LOCKING NUT                 |          | 04 |
| 06   | 1902012702 | UPPER CLAMP BODY                        |          | 02 |
| 07   | 0521065758 | PIPELINE PROTECTION                     |          | 01 |
| 08   | 0503012555 | SCREW 7/16 UNC X 2 CS RT G.7 ZN         |          | 02 |
| 09   | 0503010180 | 7/16" SPRING WASHER                     |          | 02 |
| 10   | 1902010477 | UPPER CLAMP BODY                        |          | 03 |



| Item | Code       | Description            | See page | QT |
|------|------------|------------------------|----------|----|
| 01   | 0503062416 | BLOCK COMMAND          |          | 01 |
| 02   | 0503010851 | 7/16" X 3.1/2" BOLT    |          | 02 |
| 03   | 0503010180 | 7/16" SPRING WASHER    |          | 02 |
| 04   | 0501010617 | 3/4" NIPPLE            |          | 04 |
| 05   | 0503010190 | 2-114 N 3006-9B O'RING |          | 12 |
| 06   | 0501010617 | 3/4" NIPPLE            |          | 08 |

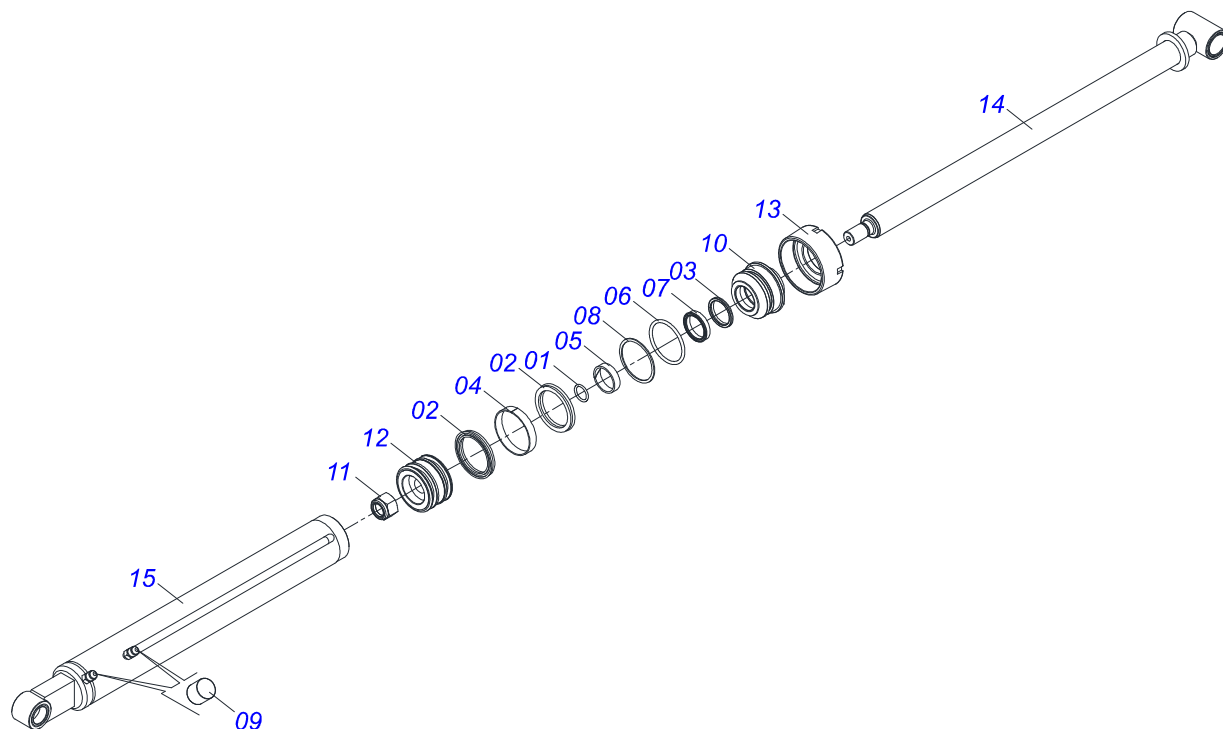


| Item | Code       | Description              | See page | QT |
|------|------------|--------------------------|----------|----|
| 01   | 0521045321 | HYDRAULIC CYLINDER LEFT  | 13       | 01 |
| 02   | 0521045322 | HYDRAULIC CYLINDER RIGHT | 14       | 01 |
| 03   | 0511058221 | HYDRAULIC CYLINDER LEFT  | 15       | 01 |
| 04   | 0511058222 | HYDRAULIC CYLINDER RIGHT | 16       | 01 |
| 05   | 0511057772 | SECURITY VALVE ASSY      | 17       | 04 |

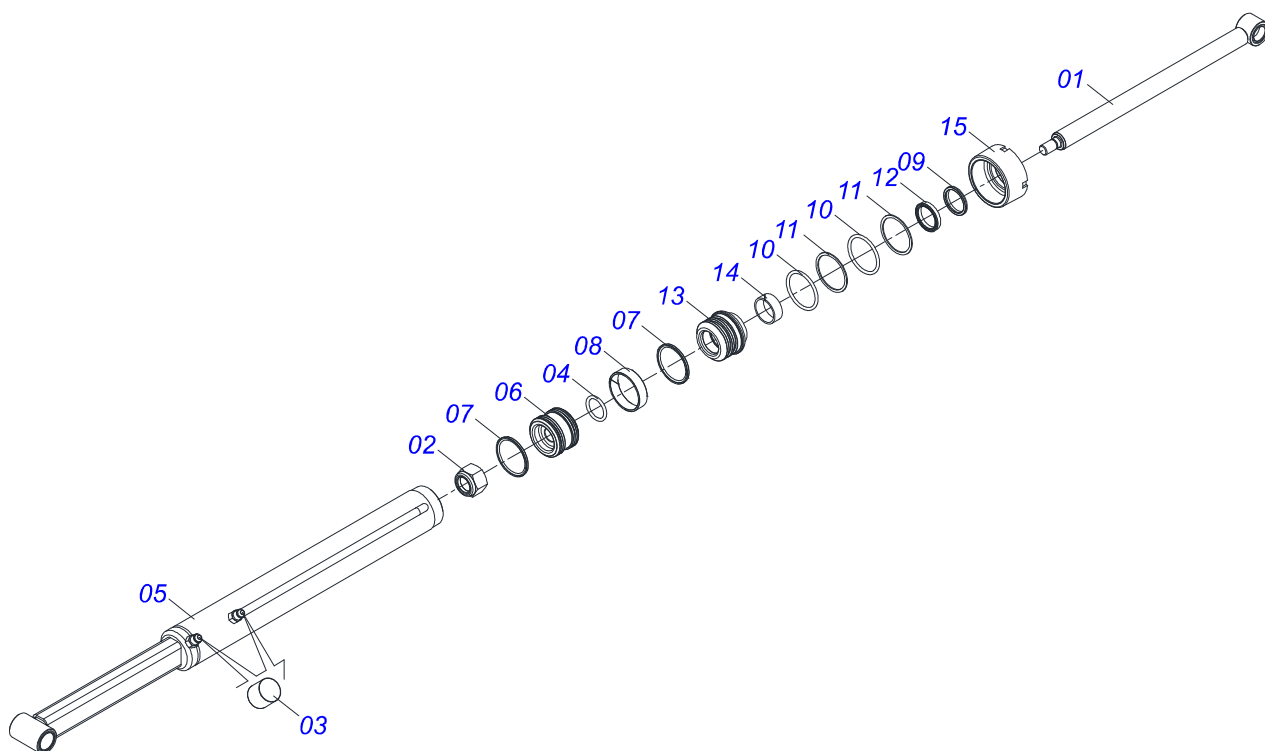


| Item | Code       | Description                                      | See page | QT |
|------|------------|--|----------|----|
| 01   | 0503010042 | 2-214 N 3006-9B O'RING                           |          | 01 |
| 02   | 0503010170 | PACKING 3120 2750                                |          | 02 |
| 03   | 0503010761 | D-1750 SCRAPER RING                              |          | 01 |
| 04   | 0503010948 | W4-3346-590 PK RING G.E                          |          | 01 |
| 05   | 0503010949 | W2-2000-500 PK RING G.E                          |          | 01 |
| 06   | 0503010976 | 2-336 N 3006-9B O'RING                           |          | 01 |
| 07   | 0503010990 | GASKET   |          | 01 |
| 08   | 0503011060 | 8-336 BACK-UP RING                               |          | 01 |
| 09   | 0503030385 | CYLINDER PLUG N-002                              |          | 02 |
| 10   | 0502010781 | RING SUPPORT                                     |          | 01 |
| 11   | 0503010063 | 1" SELF-ALIGNING NUT                             |          | 01 |
| 12   | 0502010843 | 1.8" X 3.4" PISTON                               |          | 01 |
| 13   | 0502010993 | DETACHABLE COVER                                 |          | 01 |
| 14   | 0521065701 | 44,45 X 820 EXTENDER PCA-T 1500                  |          | 01 |
| 15   | 0521065699 | 85,72/85,80 X 725 CYLINDER CASE WITH LEFT CONECT |          | 01 |

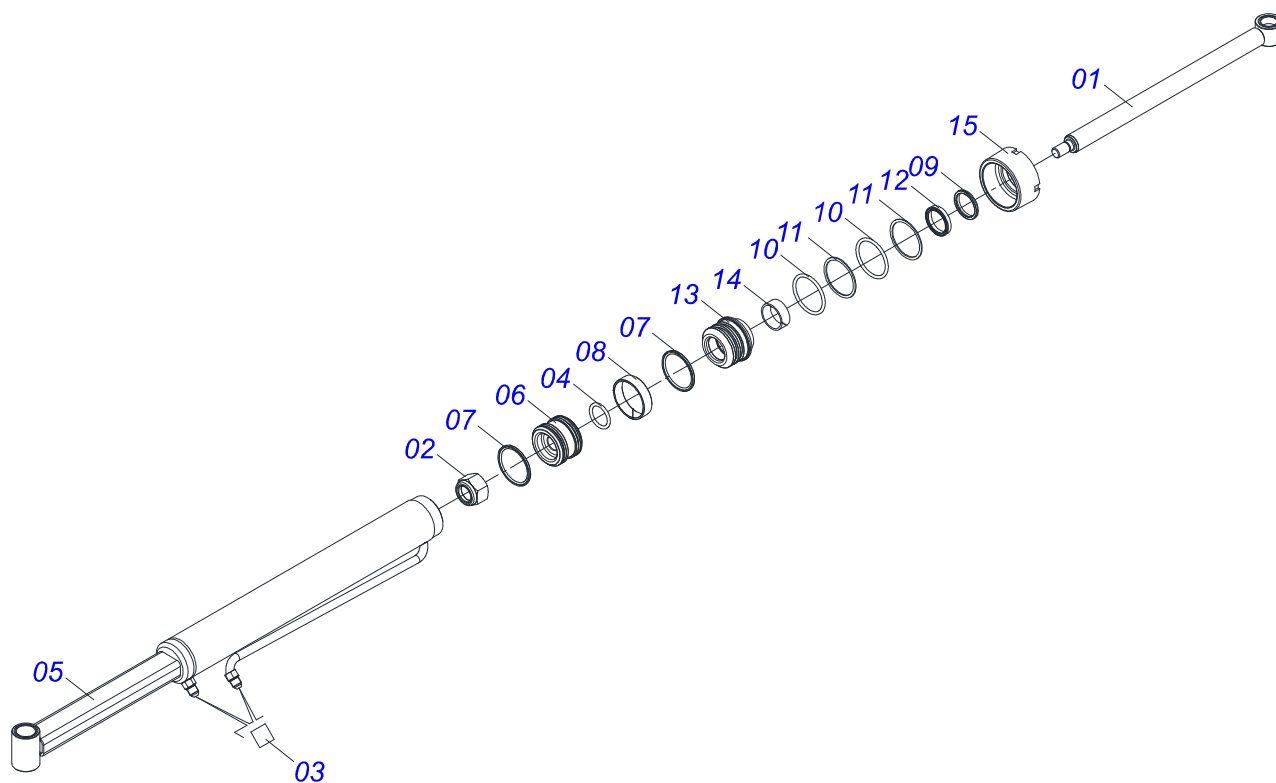




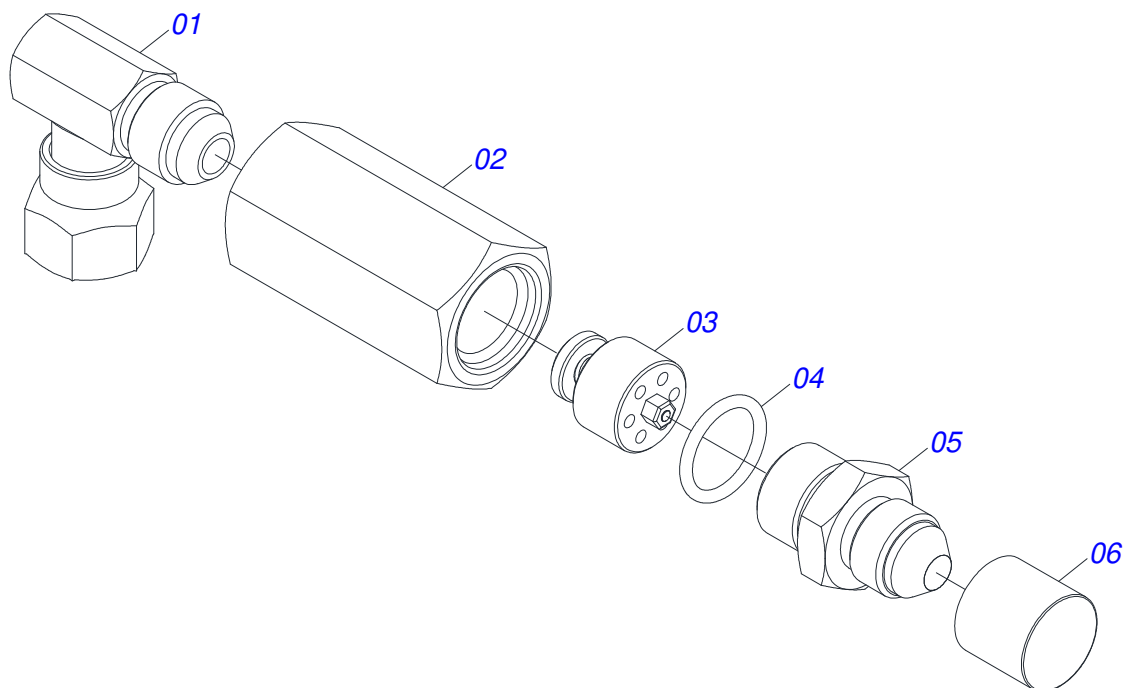
| Item | Code       | Description                                       | See page | QT |
|------|------------|---|----------|----|
| 01   | 0503010042 | 2-214 N 3006-9B O'RING                            |          | 01 |
| 02   | 0503010170 | PACKING 3120 2750                                 |          | 02 |
| 03   | 0503010761 | D-1750 SCRAPER RING                               |          | 01 |
| 04   | 0503010948 | W4-3346-590 PK RING G.E                           |          | 01 |
| 05   | 0503010949 | W2-2000-500 PK RING G.E                           |          | 01 |
| 06   | 0503010976 | 2-336 N 3006-9B O'RING                            |          | 01 |
| 07   | 0503010990 | GASKET  |          | 01 |
| 08   | 0503011060 | 8-336 BACK-UP RING                                |          | 01 |
| 09   | 0503030385 | CYLINDER PLUG N-002                               |          | 02 |
| 10   | 0502010781 | RING SUPPORT                                      |          | 01 |
| 11   | 0503010063 | 1" SELF-ALIGNING NUT                              |          | 01 |
| 12   | 0502010843 | 1.8" X 3.4" PISTON                                |          | 01 |
| 13   | 0502010993 | DETACHABLE COVER                                  |          | 01 |
| 14   | 0521065701 | 44,45 X 820 EXTENDER PCA-T 1500                   |          | 01 |
| 15   | 0521065700 | 85,72/85,80 X 725 CYLINDER CASE WITH RIGHT CONECT |          | 01 |



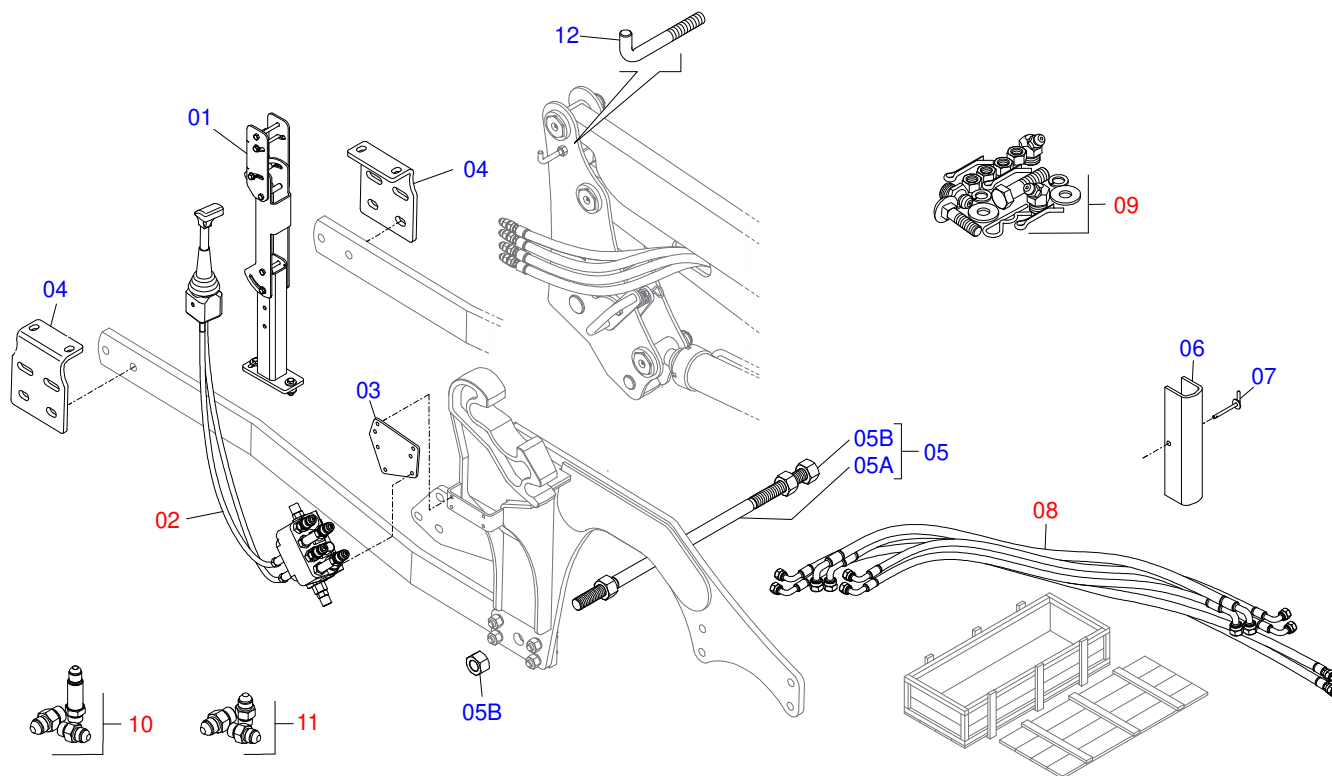
| Item | Code       | Description                            | See page | QT |
|------|------------|--|----------|----|
| 01   | 0521065738 | 44,45 X 836 WELDED ROD PCA-T 1500 PLUS |          | 01 |
| 02   | 0503010063 | 1" SELF-ALIGNING NUT                   |          | 01 |
| 03   | 0503030385 | CYLINDER PLUG N-002                    |          | 02 |
| 04   | 0503010042 | 2-214 N 3006-9B O'RING                 |          | 01 |
| 05   | 0521065737 | LEFT CYLINDER CASE WITH EXTENDER       |          | 01 |
| 06   | 0581010304 | PISTON                                 |          | 01 |
| 07   | 0503018138 | RING BS                                |          | 02 |
| 08   | 0503018140 | RING GUIDE                             |          | 01 |
| 09   | 0503010761 | D-1750 SCRAPER RING                    |          | 01 |
| 10   | 0503010343 | 2-334 N 3006-9B O'RING                 |          | 02 |
| 11   | 0503011059 | 8-334 BACK-UP RING                     |          | 02 |
| 12   | 0503017937 | GASKET                                 |          | 01 |
| 13   | 0581010301 | RING SUPPORT                           |          | 01 |
| 14   | 0503017938 | RING GUIDE                             |          | 01 |
| 15   | 0502011899 | MOBILE COVER                           |          | 01 |



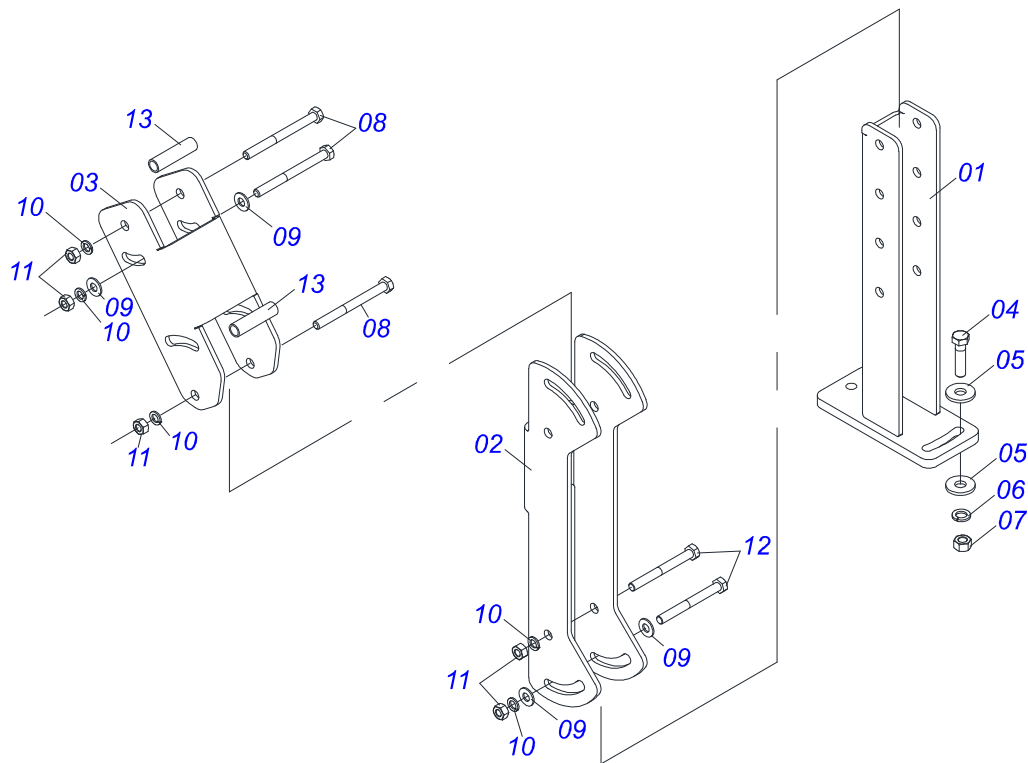
| Item | Code       | Description                            | See page | QT |
|------|------------|--|----------|----|
| 01   | 0521065738 | 44,45 X 836 WELDED ROD PCA-T 1500 PLUS |          | 01 |
| 02   | 0503010063 | 1" SELF-ALIGNING NUT                   |          | 01 |
| 03   | 0503030385 | CYLINDER PLUG N-002                    |          | 02 |
| 04   | 0503010042 | 2-214 N 3006-9B O'RING                 |          | 01 |
| 05   | 0521065704 | RIGHT CYLINDER CASE WITH EXTENDER      |          | 01 |
| 06   | 0581010304 | PISTON                                 |          | 01 |
| 07   | 0503018138 | RING BS                                |          | 02 |
| 08   | 0503018140 | RING GUIDE                             |          | 01 |
| 09   | 0503010761 | D-1750 SCRAPER RING                    |          | 01 |
| 10   | 0503010343 | 2-334 N 3006-9B O'RING                 |          | 02 |
| 11   | 0503011059 | 8-334 BACK-UP RING                     |          | 02 |
| 12   | 0503017937 | GASKET                                 |          | 01 |
| 13   | 0581010301 | RING SUPPORT                           |          | 01 |
| 14   | 0503017938 | RING GUIDE                             |          | 01 |
| 15   | 0502011899 | MOBILE COVER                           |          | 01 |



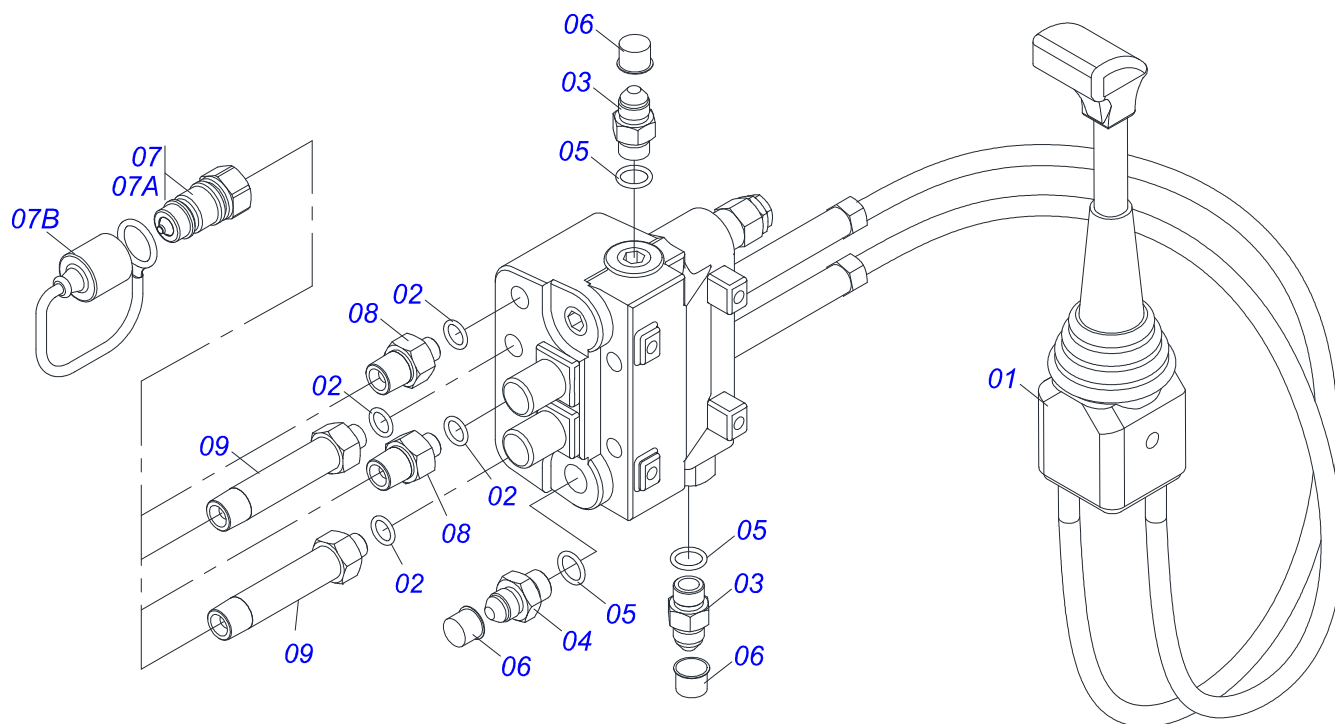
| Item | Code       | Description         | See page | QT |
|------|------------|---------------------|----------|----|
| 01   | 0503018034 | MALE KNEE JIC       |          | 01 |
| 02   | 0581014055 | ADAPTER             |          | 01 |
| 03   | 0503016854 | VALVE ASSY          |          | 01 |
| 04   | 0503010045 | O'RING              |          | 01 |
| 05   | 0581014054 | BSP 1/2" NIPPLE     |          | 01 |
| 06   | 0503030385 | CYLINDER PLUG N-002 |          | 01 |



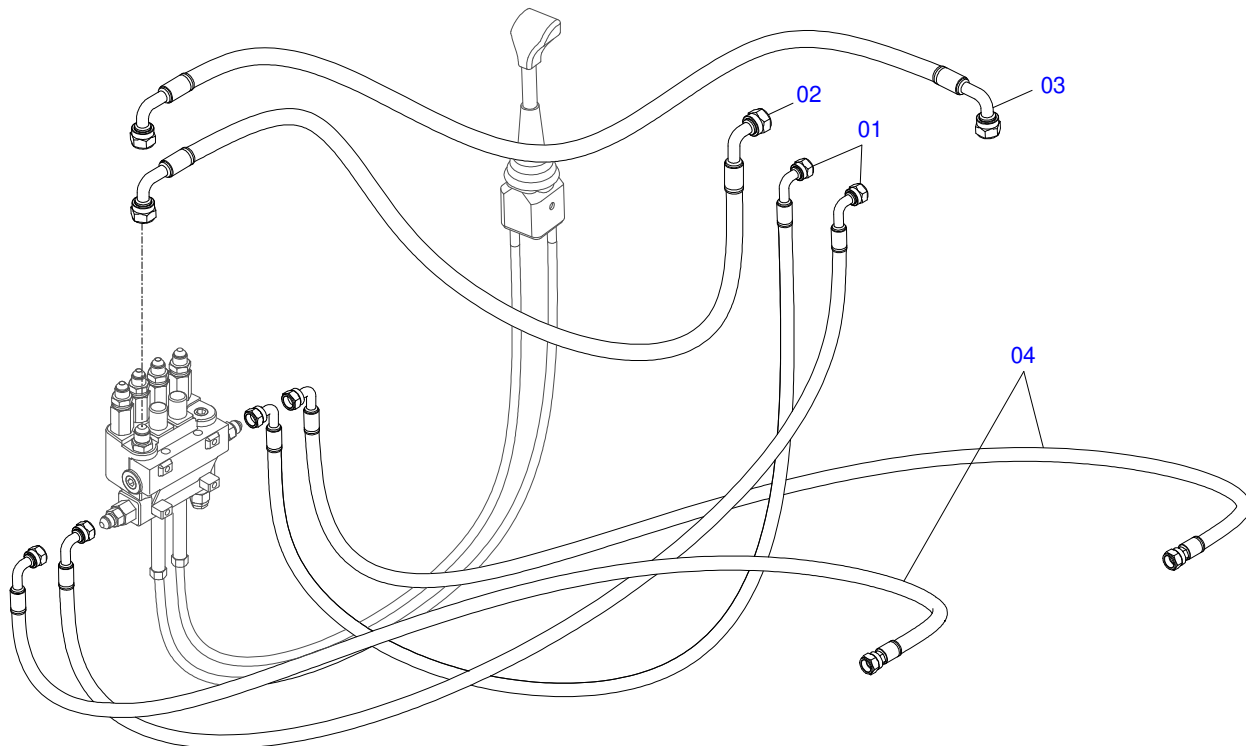
| Item | Code       | Description                | See page | QT |
|------|------------|----------------------------|----------|----|
| 01   | 0521045393 | SET SUPPORT JOY STICK      | 19       | 01 |
| 02   | 0521045489 | BLOCK COMMAND              | 20       | 01 |
| 03   | 0571019586 | FIXER PLATE                |          | 01 |
| 04   | 0581010007 | BACK SHOE                  |          | 02 |
| 05   | 0501042819 | 1.1/4"NC X 33.46" ROD ASSY |          | 01 |
| 05A  | 0501018845 | 1.1/4" X 33.46" ROD        |          | 01 |
| 05B  | 0501010087 | 1.1/4" NUT                 |          | 04 |
| 06   | 0531017238 | LOCK TRANSPORT             |          | 02 |
| 07   | 0501068994 | 0.3" X 3.1"LOCK PIN        |          | 02 |
| 08   | 0521050542 | HOSE GAME                  | 21       | 01 |
| 09   | 0511031901 | PACKAGED PARTS             | 24       | 01 |
| 10   | 0511032552 | PACKED PARTS               | 22       | 01 |
| 11   | 0511032553 | PACKED PARTS               | 23       | 01 |
| 12   | 0581010285 | CONTROL LOCKING HOOK       |          | 01 |



| Item | Code       | Description                          | See page | QT |
|------|------------|--------------------------------------|----------|----|
| 01   | 0521065789 | LOWER JOYSTICK SUPPORT               |          | 01 |
| 02   | 0571018376 | CENTRAL BODY SUPPLEMENT OF JOYSTICK  |          | 01 |
| 03   | 0571018375 | SUPERIOR BODY SUPPLEMENT OF JOYSTICK |          | 01 |
| 04   | 0503010849 | 3/8" X 1-1/2" BOLT                   |          | 02 |
| 05   | 0501010984 | FLAT WASHER                          |          | 02 |
| 06   | 0503010025 | 3/8" SPRING WASHER                   |          | 02 |
| 07   | 0503010026 | 3/8" NUT                             |          | 02 |
| 08   | 0503010848 | 5/16" X 3.1/2" BOLT                  |          | 04 |
| 09   | 0501010694 | 8.5 X 18 X 1.5 FLAT WASHER           |          | 06 |
| 10   | 0503010179 | 5/16" ZN SPRING WASHER               |          | 06 |
| 11   | 0503010337 | 5/16" NUT                            |          | 06 |
| 12   | 0503011053 | 5/16" X 3" C S 6.5 ZN BOLT           |          | 02 |
| 13   | 0541015551 | 0.39" X 0.512" X 1.9" SLEEVE         |          | 02 |

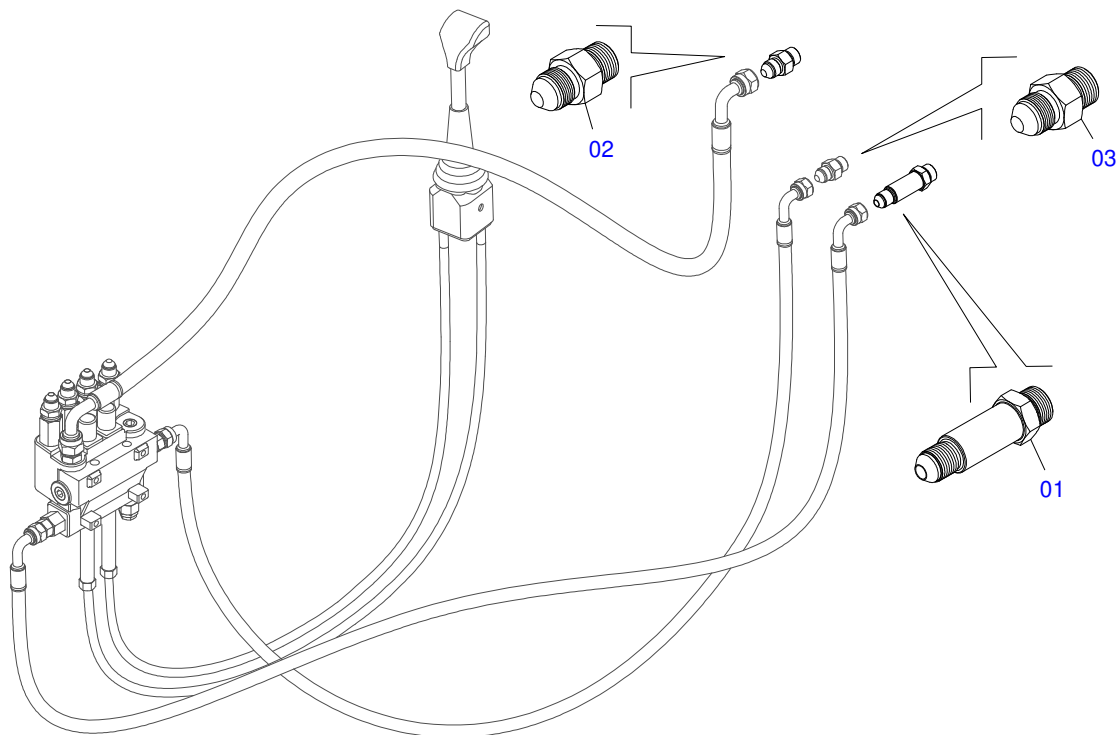


| Item | Code       | Description                    | See page | QT |
|------|------------|--------------------------------|----------|----|
| 01   | 0503062412 | COMPLETE JOYSTICK CONTROL      |          | 01 |
| 02   | 0503011108 | 2-112 O'RING                   |          | 04 |
| 03   | 0501010617 | 3/4" NIPPLE                    |          | 02 |
| 04   | 0501011460 | 7/8 NF REDUCTION NIPPLE        |          | 01 |
| 05   | 0503010190 | 2-114 N 3006-9B O'RING         |          | 03 |
| 06   | 0503030385 | CYLINDER PLUG N-002            |          | 03 |
| 07   | 0501053834 | MALE QUICK COUPLER             |          | 04 |
| 07A  | 0503011627 | MALE QUICK COUPLER AGR 1/2 NPT |          | 01 |
| 07B  | 0503011882 | MALE QUICK COUPLER CAP         |          | 01 |
| 08   | 0571018717 | ADAPTER                        |          | 02 |
| 09   | 0571018716 | ADAPTER                        |          | 02 |

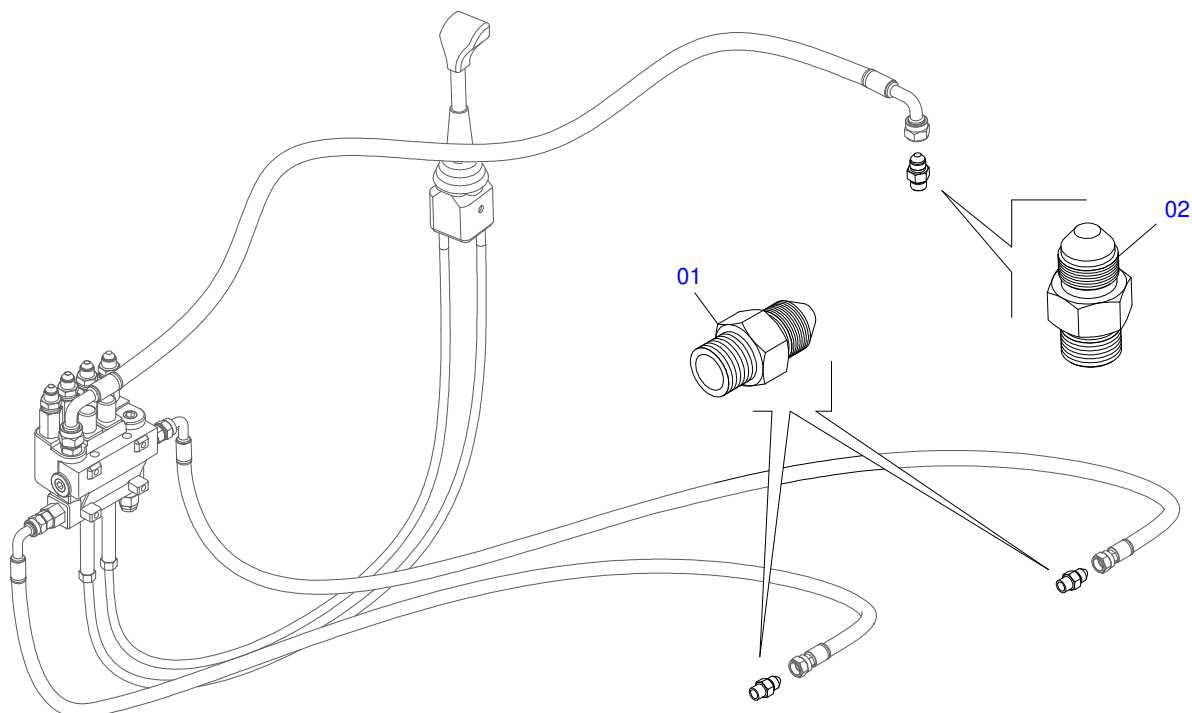


| Item | Code       | Description                | See page | QT |
|------|------------|----------------------------|----------|----|
| 01   | 0501080931 | 3/8" X 39" TC-TC HOSE ASSY |          | 02 |
| 02   | 0501081293 | 1/2 X 1100 TC-TC HOSE      |          | 01 |
| 03   | 0501081413 | HOSE 1/2 X 1350 TC-TC      |          | 01 |
| 04   | 0501080436 | 3/8 X 1500 TR-TC HOSE      |          | 02 |

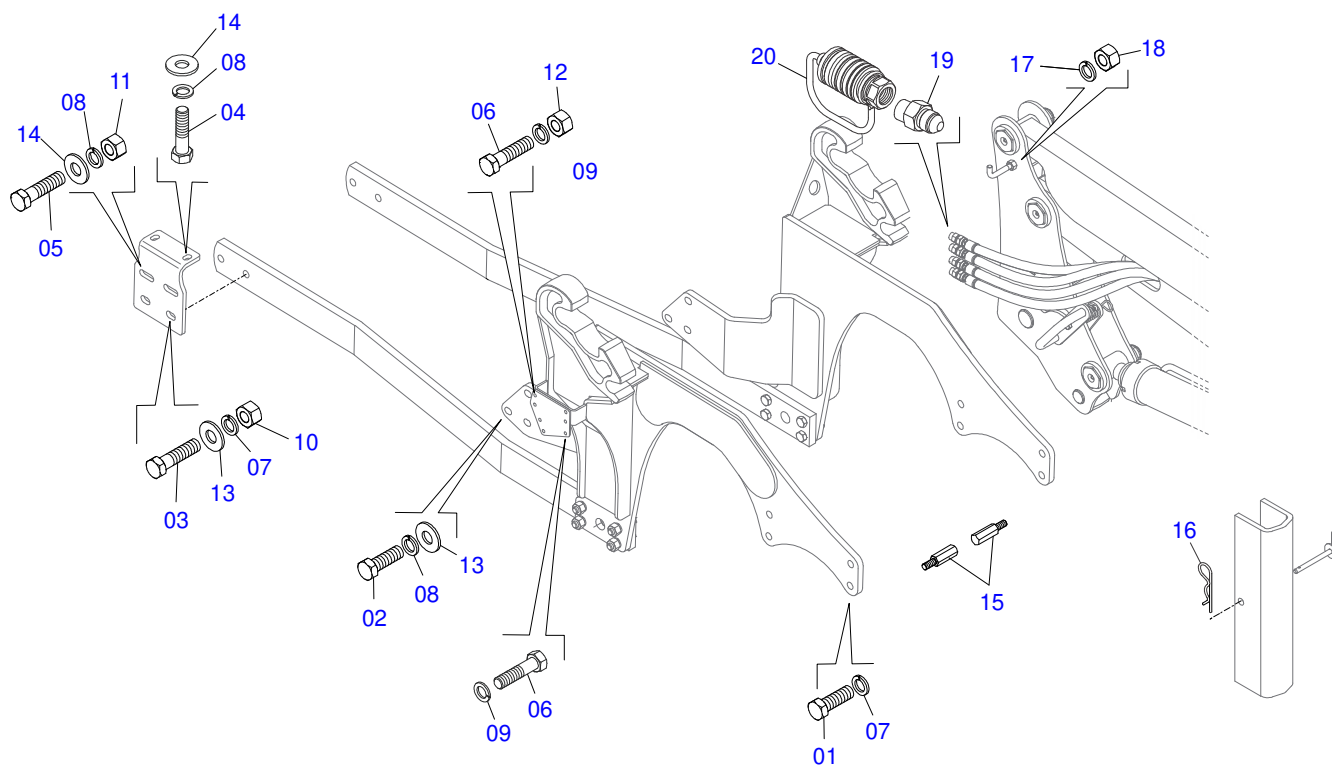




| Item | Code       | Description                                       | See page | QT |
|------|------------|---|----------|----|
| 01   | 0581013248 | NIPLE R. 3/4" UNF X R. M21 X 1,75 X 90 PCA-T PLUS |          | 01 |
| 02   | 0571019992 | NIPLE R.7/8"UNF X R.M21 X 1,75 X 46 PD LS PLUS 90 |          | 01 |
| 03   | 0581013250 | NIPLE R.3/4" UNF X R. M21 X 1,75 X 46 PCA-T PLUS  |          | 01 |



| Item | Code       | Description                              | See page | QT |
|------|------------|--|----------|----|
| 01   | 0581013249 | NIPLE R.3/4"UNF X M24(SEXT. 1.1/8") PLUS | PCA-T    | 02 |
| 02   | 0581013247 | NIPLE 7/8" UNF X 13/16" UNC X 51         |          | 01 |



| Item | Code       | Description                 | See page | QT |
|------|------------|-----------------------------|----------|----|
| 01   | 0503011322 | M20 X 2,5 X 50 BOLT         | 14       |    |
| 02   | 0503011258 | M18 X 1,5 X 65 BOLT         | 06       |    |
| 03   | 0501010500 | 3/4"X3"BOLT                 | 09       |    |
| 04   | 0503011399 | M16 X 1,5 X 50 BOLT         | 04       |    |
| 05   | 0501010100 | SCREW 5/8 UNC X 2 CS G.5 ZN | 04       |    |
| 06   | 0503010371 | 5/16" X 1" BOLT             | 07       |    |
| 07   | 0503010023 | 3/4" SPRING WASHER          | 17       |    |
| 08   | 0503010027 | 5/8" SPRING WASHER          | 20       |    |
| 09   | 0503010179 | 5/16" ZN SPRING WASHER      | 07       |    |
| 10   | 0503010014 | 3/4" NUT                    | 12       |    |
| 11   | 0503010013 | 5/8" NUT                    | 04       |    |
| 12   | 0503010337 | 5/16" NUT                   | 04       |    |
| 13   | 0501010322 | FLAT WASHER                 | 10       |    |
| 14   | 0501012140 | FLAT WASHER                 | 14       |    |
| 15   | 0581013650 | TURNING RADIUS LIMITER (80) | 02       |    |
| 16   | 0503030168 | HAIR PIN                    | 02       |    |
| 17   | 0503010019 | 1/2" SPRING WASHER          | 01       |    |
| 18   | 0503010060 | 1/2" NUT                    | 02       |    |
| 19   | 0571015342 | 3/4" NIPLE                  | 04       |    |
| 20   | 0501053835 | FEMALE QUICK COUPLER        | 04       |    |





**MARCHESAN**

**Technical Publications | Elaboration and Revision**

JOÃO VIRGINIO ROCHA

[www.marchesan.com.br](http://www.marchesan.com.br)

