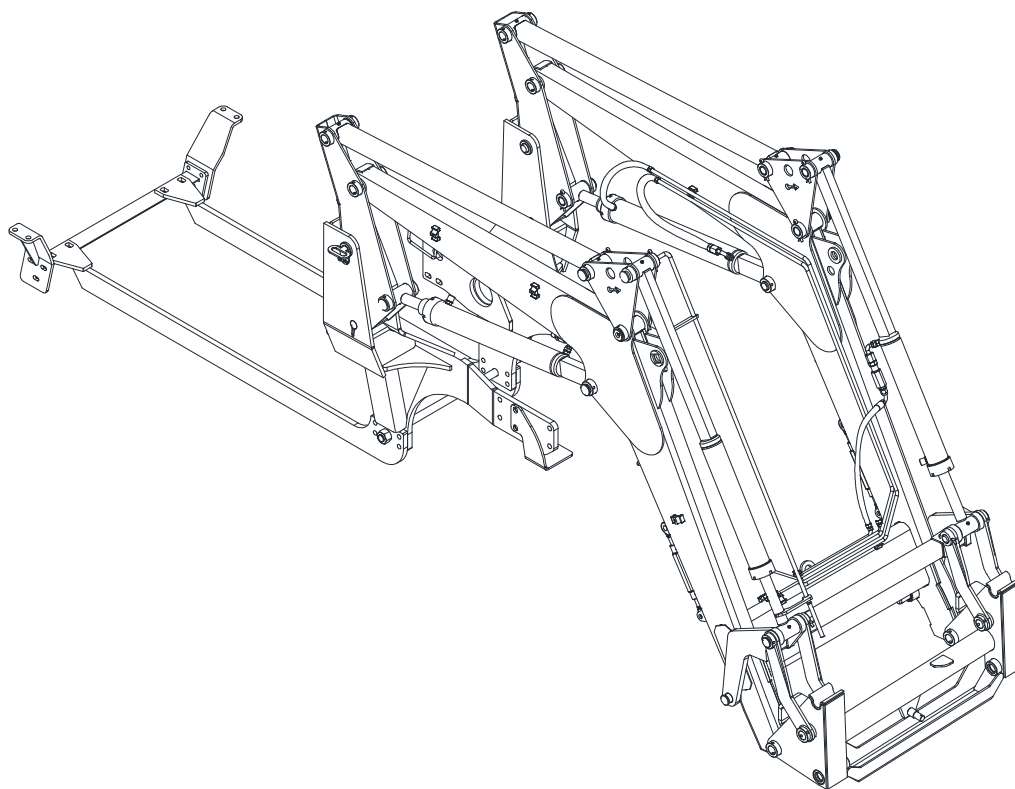


PARTS CATALOG

PCA T / PCA PLUS - AGRICULTURAL FRONT LOADER

PCA T 2000 NH T7 BT SC SL

Code: 0501092018



Series: S-0716

Review: OUTUBRO/2017

**ORIGINAL PARTS
TATU**



PRODUCTS

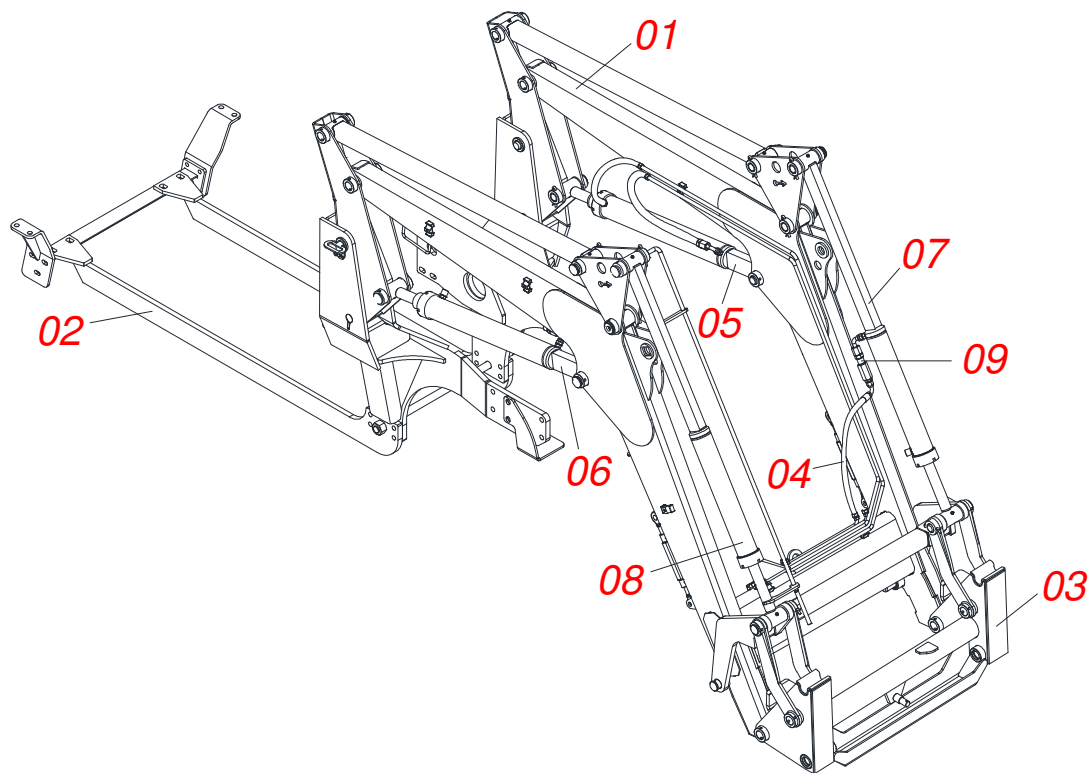
| Code | Description |
|------------|-------------------------------------|
| 0106111632 | PCA-T 2000 NH T7.175 BT SC SL S0716 |

ATTENTION: **IMPORTANT**

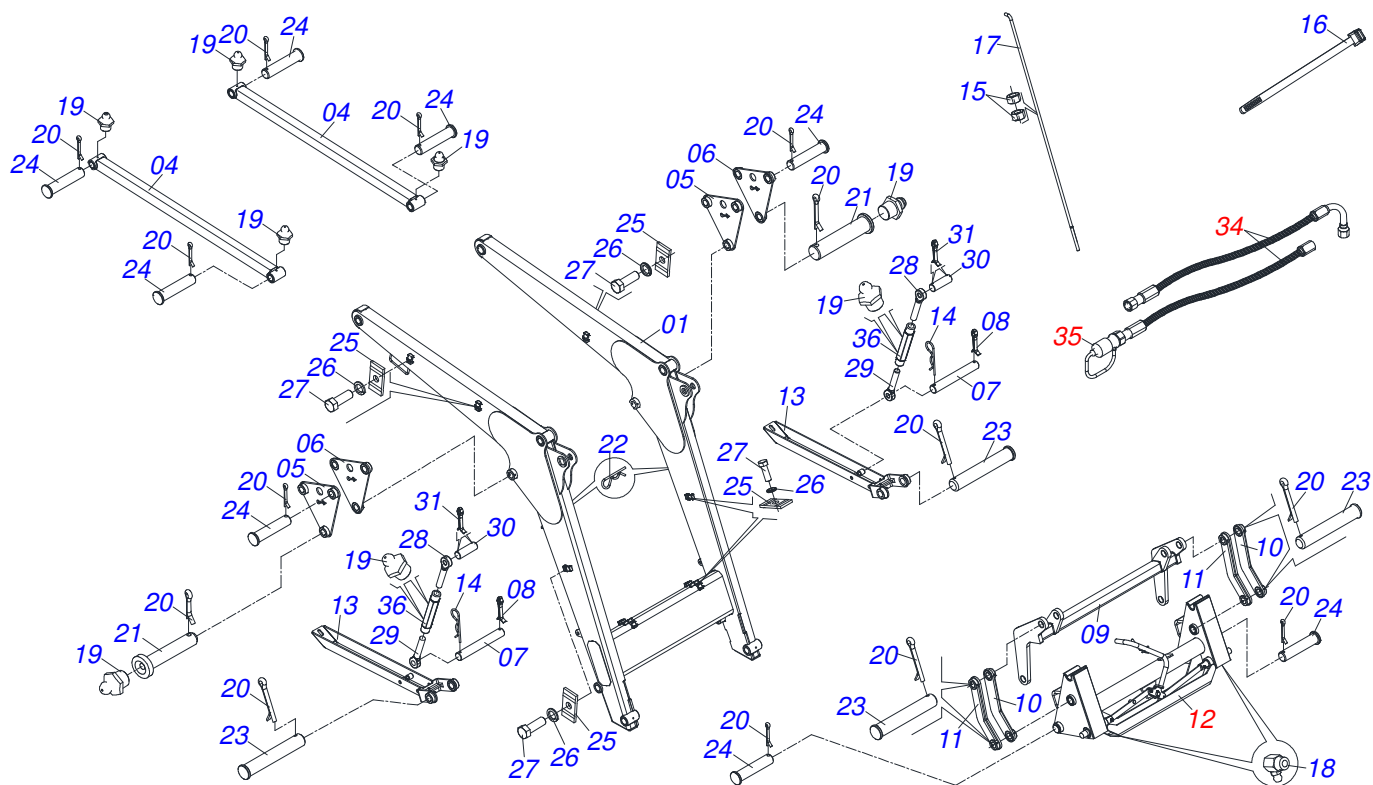
MARCHESAN S/A RESERVES THE RIGHT AT ANY TIME TO MAKE IMPROVEMENTS IN THE DESIGN, MATERIAL OR SPECIFICATIONS OF MACHINERY, EQUIPMENT OR PARTS WITHOUT THEREBY BECOMING LIABLE TO MAKE SIMILAR CHANGES IN MACHINERY, EQUIPMENT OR PARTS PREVIOUSLY SOLD.

INDEX

| | | | |
|------------|-------------------------------------|-------|----|
| 0106111632 | PCA-T 2000 NH T7.175 BT SC SL | | 1 |
| 0521046800 | SUP MOVEL COMP BT SC PCA-T 2000 NH | | 2 |
| 0909093564 | FRAME ASSY PCA | | 3 |
| 0511043359 | ARTICULATION ASSY | | 4 |
| 0909093572 | HYDRAULIC CIRCUIT SUPPORT MOVEL PCA | | 5 |
| 0511059165 | HYDRAULIC CILINDER | | 6 |
| 0511059166 | HYDRAULIC CILINDER | | 7 |
| 0511059171 | HYDRAULIC CILINDER | | 8 |
| 0511059170 | HYDRAULIC CILINDER | | 9 |
| 0511057810 | CONJUNTO VÁLVULA DE SEGURIDAD | | 10 |
| 0501053834 | QUICK CONECTION (MALE) 1/2 | | 11 |
| 0501053835 | FEMALE QUICK COUPLER | | 12 |



| Item | Code | Description | QT |
|------|------------|-------------------------------------|----|
| 01 | 0521046800 | SUP MOVEL COMP BT SC PCA-T 2000 NH | 01 |
| 02 | 0909093564 | FRAME ASSY PCA | 01 |
| 03 | 0511043359 | ARTICULATION ASSY | 01 |
| 04 | 0909093572 | HYDRAULIC CIRCUIT SUPPORT MOVEL PCA | 01 |
| 05 | 0511059165 | HYDRAULIC CILINDER | 01 |
| 06 | 0511059166 | HYDRAULIC CILINDER | 01 |
| 07 | 0511059171 | HYDRAULIC CILINDER | 01 |
| 08 | 0511059170 | HYDRAULIC CILINDER | 01 |
| 09 | 0511057810 | CONJUNTO VÁLVULA DE SEGURIDAD | 04 |



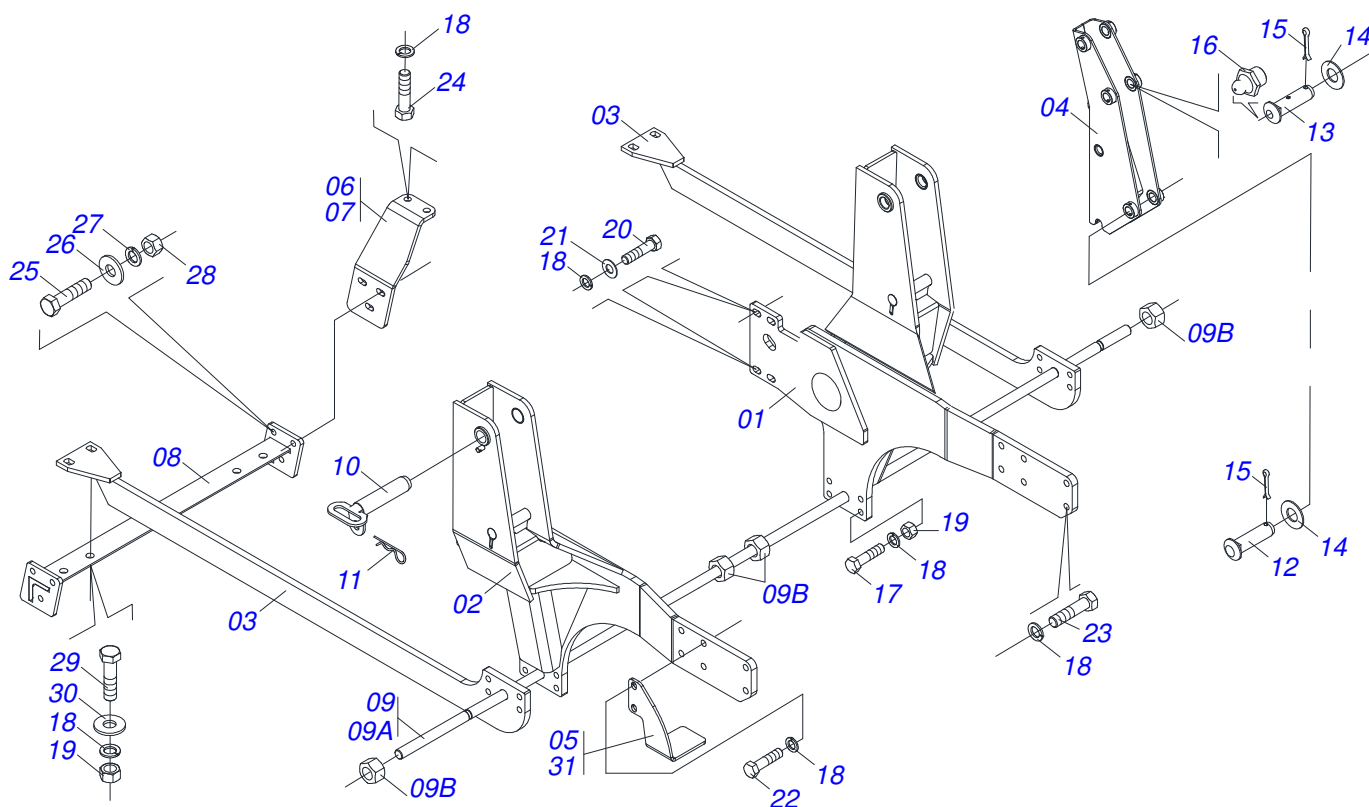
| Item | Code | Description | QT |
|------|------------|--------------------------------------|----|
| 001 | 0511066107 | MOBILE SUPPORT | 01 |
| 004 | 0521060373 | TOP BAR LIFT | 02 |
| 005 | 0511066116 | COPY ROCKER ARM | 02 |
| 006 | 0521062748 | COPY ROCKER ARM | 02 |
| 007 | 0521012777 | COUPLING SHAFT | 02 |
| 008 | 0503010071 | 3/16" X 1" COTTERPIN | 02 |
| 009 | 0511066079 | LARGER COPY | 01 |
| 010 | 0511066123 | SMALLER COPY | 02 |
| 011 | 0511066120 | LEFT SMALLER COPY | 02 |
| 012 | 0511043359 | ARTICULATION ASSY | 01 |
| 013 | 0521061020 | PLOUGH SUPPORT ASSY | 02 |
| 014 | 0503030012 | HAIR PIN | 02 |
| 015 | 0503010013 | 5/8" NUT | 02 |
| 016 | 0503013527 | CLAMP ZIPER | 04 |
| 017 | 0571016767 | SPRING | 01 |
| 018 | 0503010003 | 1845 GREASE FITTING | 02 |
| 019 | 0503010002 | 1800 GREASE FITTING | 12 |
| 020 | 0503010073 | 3/8 X 3-1/2 COTTERPIN | 18 |
| 021 | 0541014981 | 1.5" X 6.3" COUPLING SHAFT | 04 |
| 022 | 0503030168 | HAIR PIN | 02 |
| 023 | 0561011939 | JUNCTION AXLE | 06 |
| 024 | 0561014067 | COUPLING SHAFT | 10 |
| 025 | 0531011180 | UPPER BODY CLIP | 13 |
| 026 | 0503010025 | 3/8 SPRING WASHER | 13 |
| 027 | 0503010237 | 3/8" X 1" BOLT | 13 |
| 028 | 0502012562 | LEFT SPINDLE R1 X 160 PCA | 02 |
| 029 | 0502012529 | RIGHT SPINDLE R1 X 160 | 02 |
| 030 | 0561015578 | 3/4 X 56 PCA VTR A750 COUPLING SHAFT | 02 |
| 031 | 0503010300 | 5/32" X 1" COTTERPIN | 04 |
| 032 | 0503030964 | T CONNECTOR | 02 |
| 033 | 0503011030 | 2-014 N 3006-9B O'RING | 22 |
| 034 | 0511057097 | HOSE KIT MOBILE SUPPORT FULL | 01 |
| 035 | 0501053834 | QUICK CONECTION (MALE) 1/2 | 04 |



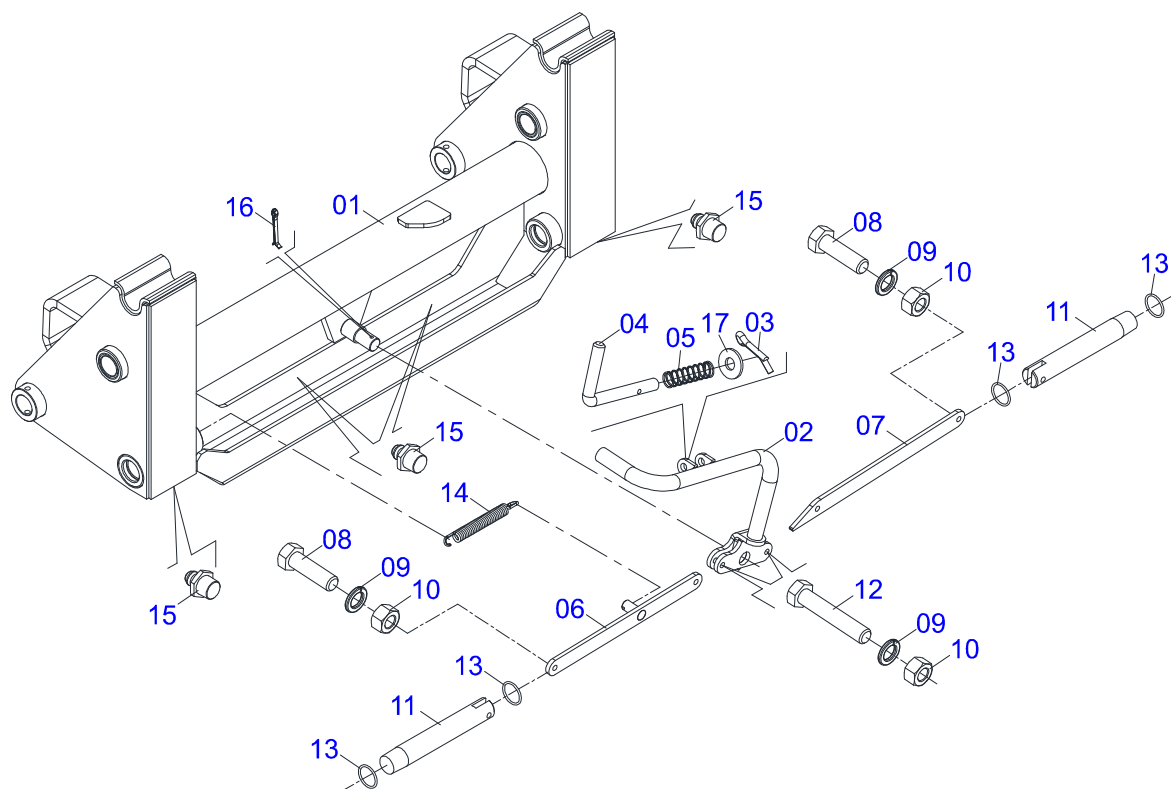
PCA T 2000 NH T7 BT SC SL
SUP MOVEL COMP BT SC PCA-T 2000 NH

Page 2
0521046800

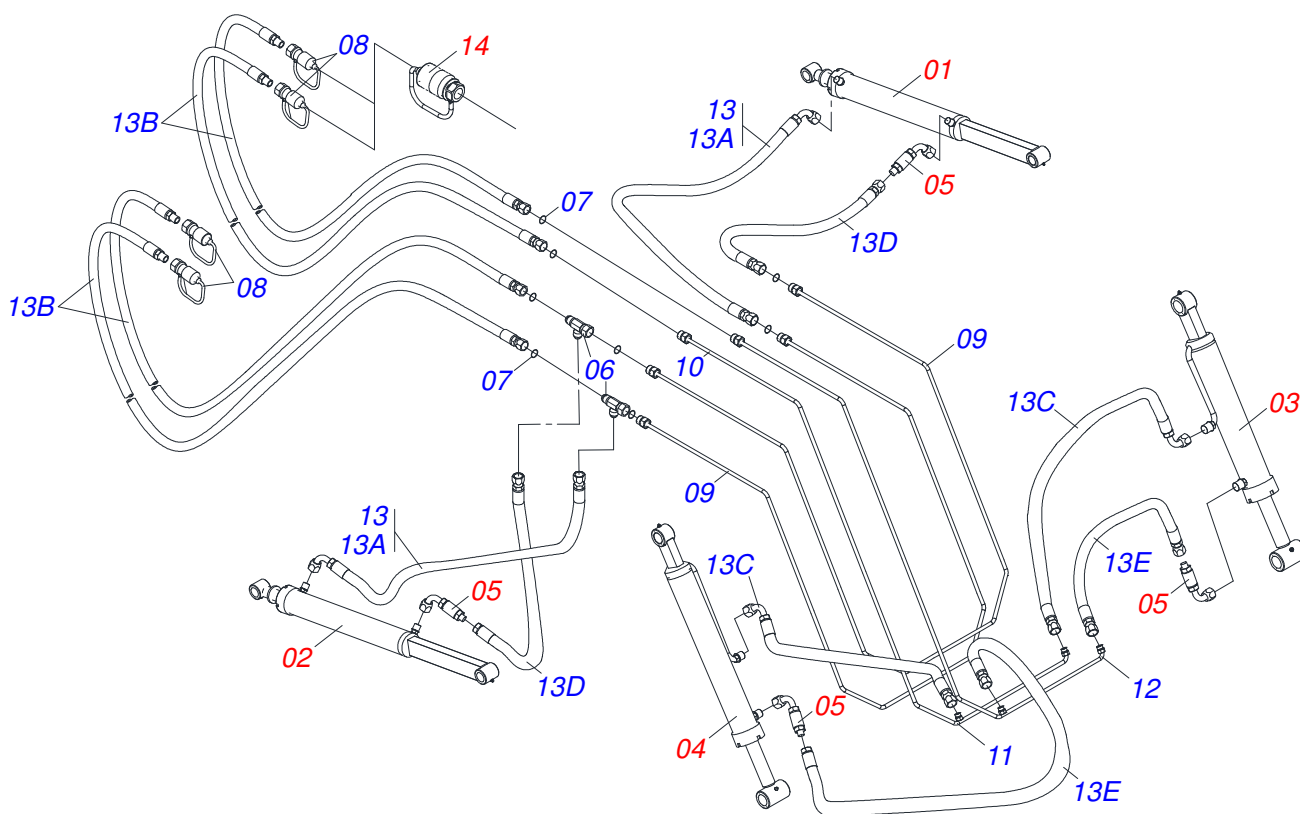
| Item | Code | Description | QT |
|------|------------|---------------------------|----|
| 036 | 0502012530 | REGULATOR NUT BODY R1 PCA | 02 |



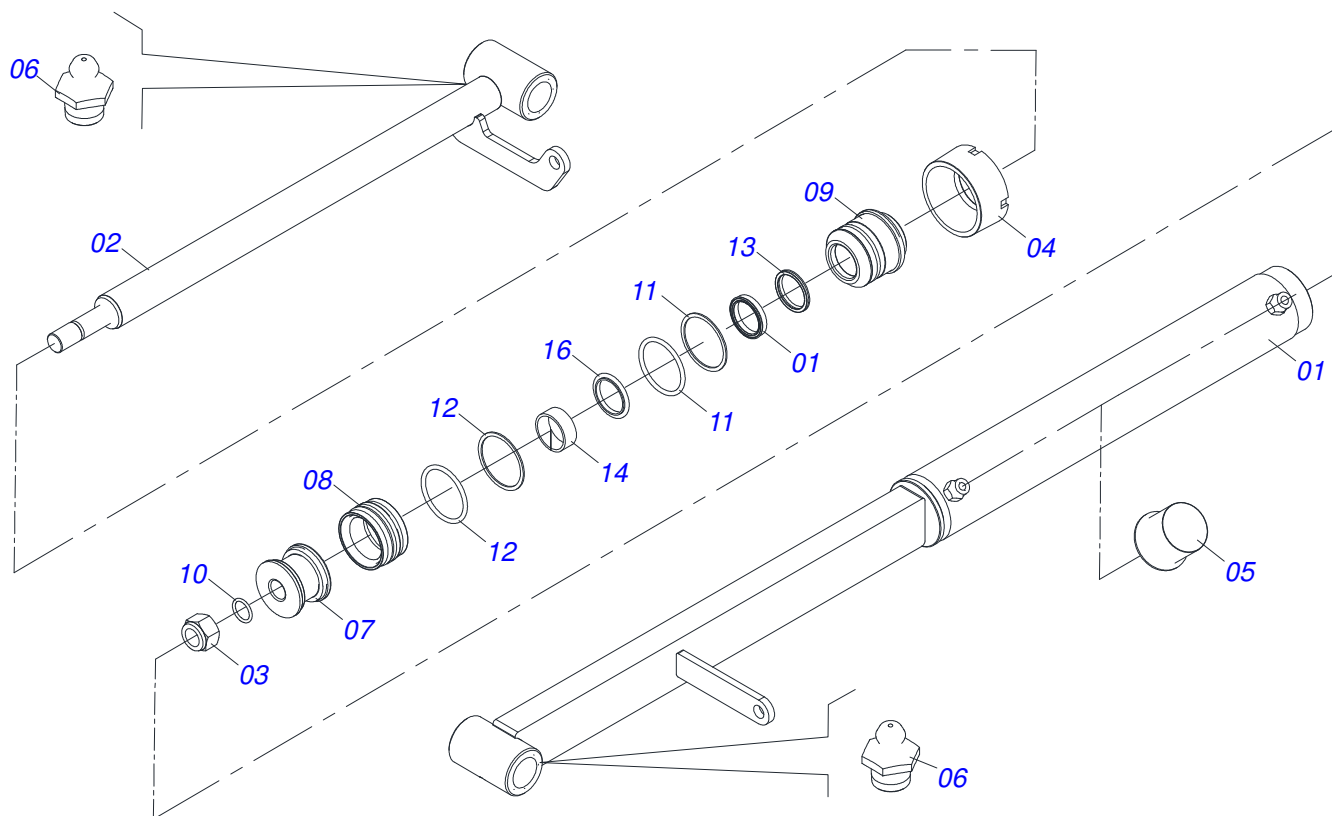
| Item | Code | Description | QT |
|------|------------|---------------------------|----|
| 01 | 0521064985 | RIGHT FRAME | 01 |
| 02 | 0521064984 | LEFT FRAME | 01 |
| 03 | 0521064885 | CONJUNTO DEL CHASIS | 01 |
| 04 | 0511066080 | MOBILE TOWER | 02 |
| 05 | 0521064881 | LEFT BEATER | 01 |
| 06 | 0521064884 | RH SUPPORT | 01 |
| 07 | 0521064883 | SAPATA ESQ DIFER | 01 |
| 08 | 0521064886 | FRAME FIXER SUPORT | 01 |
| 09 | 0501040954 | 1.1/4" NC X 760 ROD | 01 |
| 09A | 0501010628 | 1.1/4" X 760 ROD | 01 |
| 09B | 0501010087 | 1.1/4" NUT | 02 |
| 10 | 0521061681 | SUPPORT FIXER AXLE | 02 |
| 11 | 0503030012 | HAIR PIN | 02 |
| 12 | 0521012869 | COUPLING SHAFT | 02 |
| 13 | 0521012870 | 1.46" X 6.18" PIVOT SHAFT | 02 |
| 14 | 0511019685 | FLAT WASHER | 04 |
| 15 | 0503010534 | 3/8 X 2-1/2 COTTERPIN | 04 |
| 16 | 0503010002 | 1800 GREASE FITTING | 02 |
| 17 | 0503012334 | 3/4" UNC X 3.1/2" BOLT | 08 |
| 18 | 0503010023 | SPRING WASHER | 36 |
| 19 | 0503010014 | 3/4" NUT | 12 |
| 20 | 0503013112 | M20 X 2,5 X 70 BOLT | 08 |
| 21 | 0501010322 | FLAT WASHER | 08 |
| 22 | 0503013104 | M20 X 2,5 X 80 BOLT | 04 |
| 23 | 0503013111 | M20 X 2,5 X 65 BOLT | 08 |
| 24 | 0503011258 | M18 X 1,5 X 65 BOLT | 04 |
| 25 | 0503010899 | 5/8" X 2-1/4" BOLT | 06 |
| 26 | 0501012140 | FLAT WASHER | 06 |
| 27 | 0503010027 | SPRING WASHER | 06 |
| 28 | 0503010013 | 5/8" NUT | 06 |
| 29 | 0501010125 | 3/4" X 2-1/2" BOLT | 04 |
| 30 | 0501010322 | FLAT WASHER | 04 |
| 31 | 0521064882 | RIGHT BEATER | 01 |



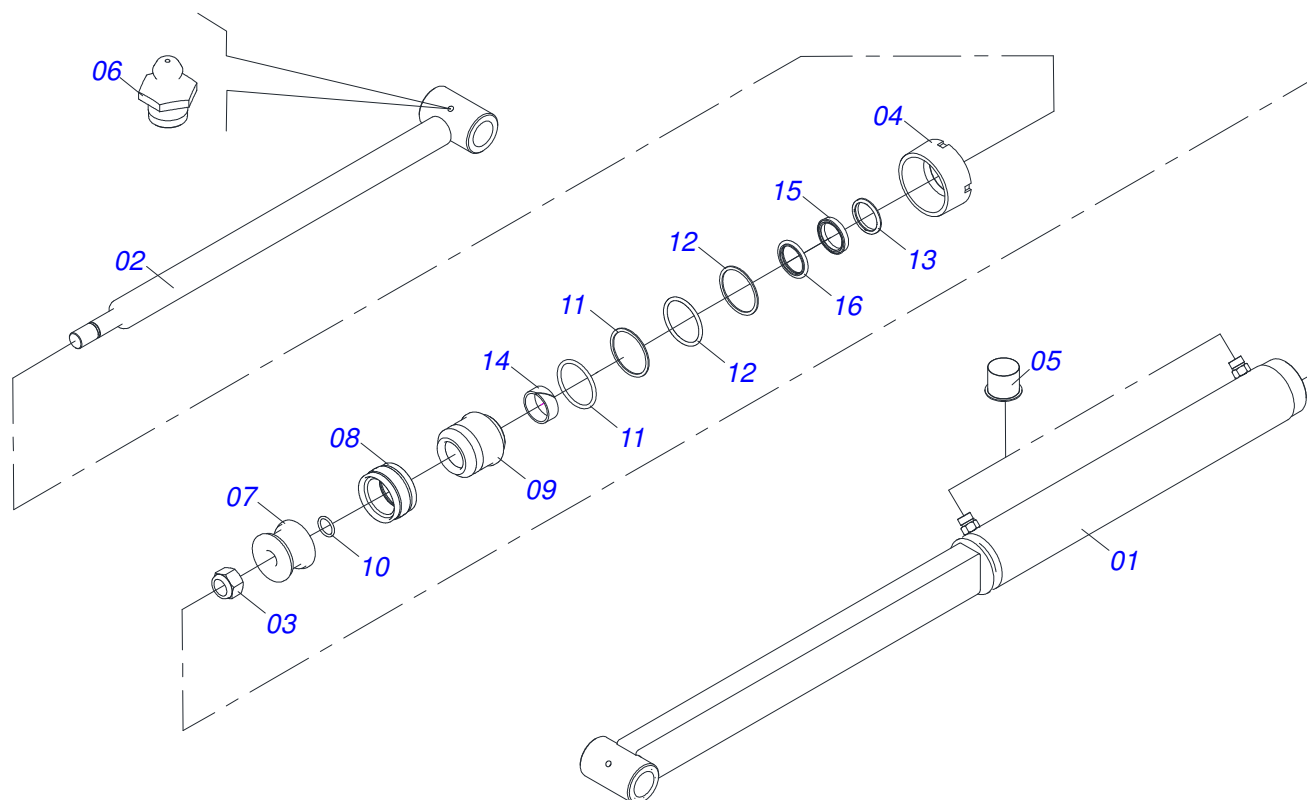
| Item | Code | Description | QT |
|------|------------|-------------------------------------|----|
| 01 | 0511066088 | ARTICULATION | 01 |
| 02 | 0521060524 | DISARM LEVER | 01 |
| 03 | 0503010071 | 3/16" X 1" COTTERPIN | 01 |
| 04 | 0541014962 | DISASSEMBLE TRIGGER | 01 |
| 05 | 0503032132 | COMPRESSION SPRING | 01 |
| 06 | 0511066181 | ARM DISARM | 01 |
| 07 | 0541014964 | BODY LEFT ARM DISARM | 01 |
| 08 | 0503010849 | 3/8" X 1-1/2" BOLT | 02 |
| 09 | 0503010025 | 3/8 SPRING WASHER | 04 |
| 10 | 0503010026 | 3/8" NUT | 04 |
| 11 | 0541014963 | LOCK PIN PCA-T 1750 | 02 |
| 12 | 0501010096 | 3/8" X 2" BOLT | 02 |
| 13 | 0503010285 | 2-222 N 3006-9B O-RING | 04 |
| 14 | 0503031574 | 6.9" X 0.8" X 0.1" EXTENSION SPRING | 01 |
| 15 | 0503010002 | 1800 GREASE FITTING | 04 |
| 16 | 0503010571 | 1/4" X 1.1/2 COTTERPIN | 01 |
| 17 | 0511017302 | FLAT WASHER | 01 |



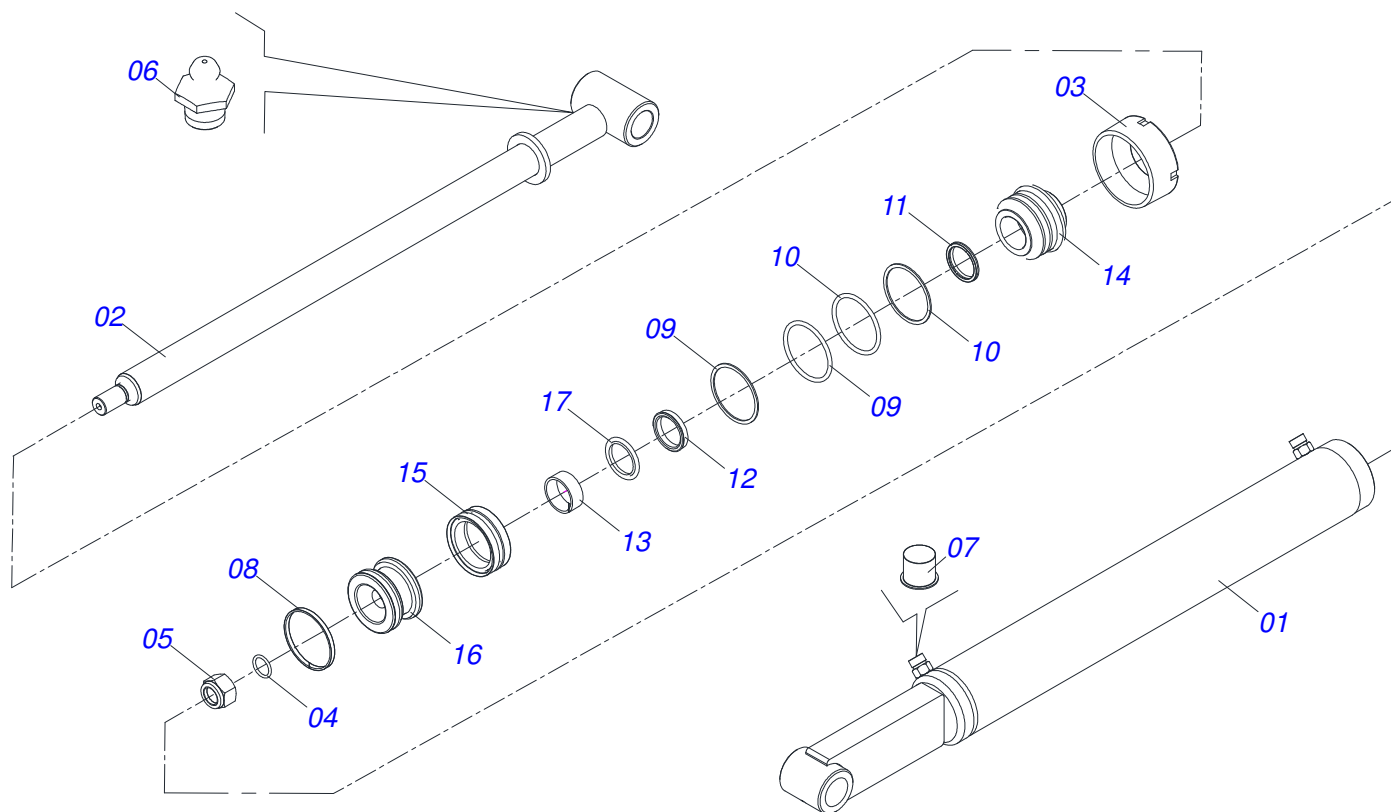
| Item | Code | Description | QT |
|------|------------|-------------------------------|----|
| 01 | 0511059165 | HYDRAULIC CILINDER | 01 |
| 02 | 0511059166 | HYDRAULIC CILINDER | 01 |
| 03 | 0511059171 | HYDRAULIC CILINDER | 02 |
| 04 | 0511059170 | HYDRAULIC CILINDER | 01 |
| 05 | 0511057810 | CONJUNTO VÁLVULA DE SEGURIDAD | 02 |
| 06 | 0503030964 | T CONNECTOR | 02 |
| 07 | 0503011030 | 2-014 N 3006-9B O'RING | 22 |
| 08 | 0501053834 | QUICK CONECTION (MALE) 1/2 | 04 |
| 09 | 0521067358 | PUMP PRESSURE TUBE | 01 |
| 10 | 0521067356 | DUCTO RETENES OLEO | 01 |
| 11 | 0521067355 | PUMP PRESSURE TUBE | 01 |
| 12 | 0521067354 | DUCT SEAL OIL | 01 |
| 13 | 0511057097 | HOSE KIT MOBILE SUPPORT FULL | 01 |
| 13A | 0501080970 | 1/2" X 23.6" TR-TC OFS HOSE | 02 |
| 13B | 0501081931 | HOSE 1/2 X | 04 |
| 13C | 0501080969 | 1/2" X 750 TR-TC OFS HOSE | 02 |
| 13D | 0501081584 | HOSE 1/2 X | 02 |
| 13E | 0501081084 | HOSE | 02 |
| 14 | 0501053835 | FEMALE QUICK COUPLER | 02 |



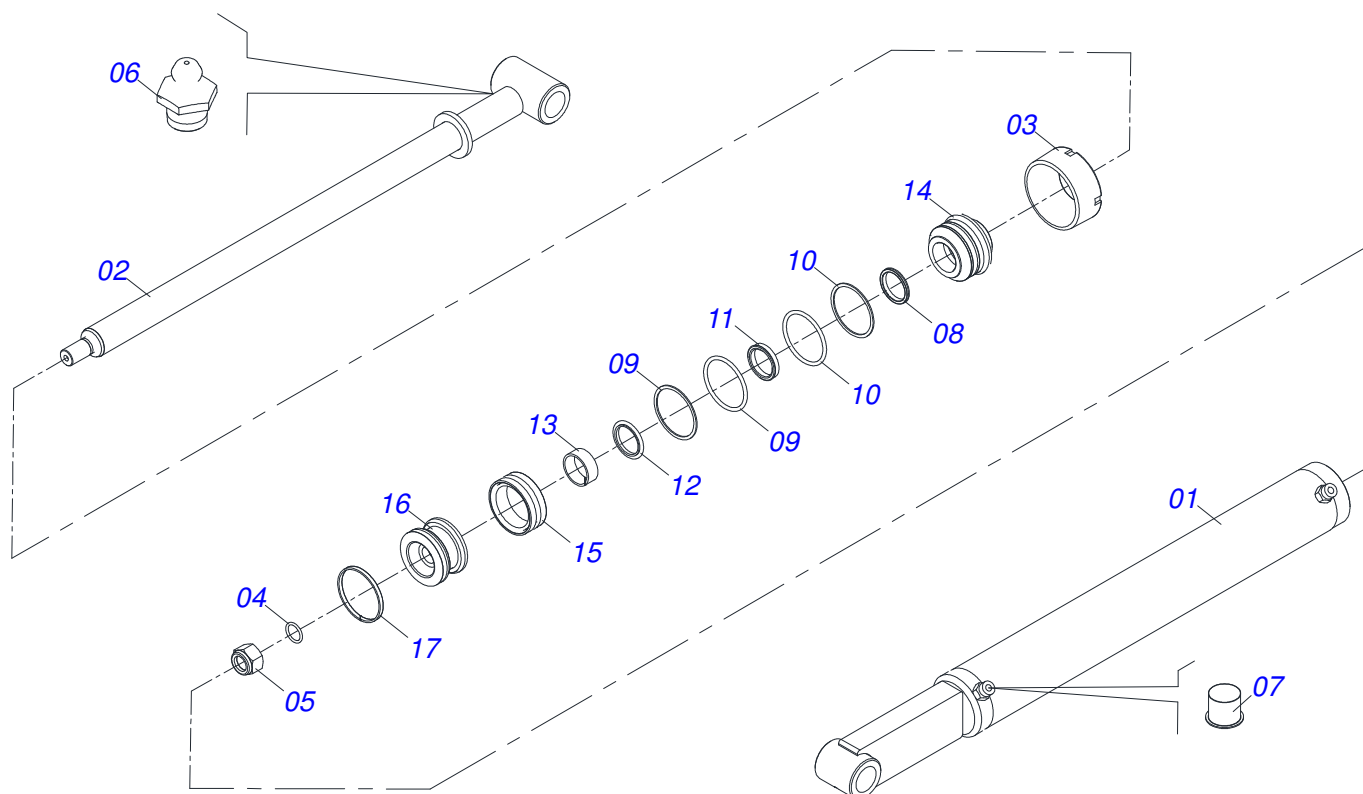
| Item | Code | Description | QT |
|------|------------|------------------------|----|
| 001 | 0521066374 | RH CYLINDER CASE | 01 |
| 002 | 0521066373 | 44,45 X 670 TURNBUCKLE | 01 |
| 003 | 0503010063 | 1" SELF-ALIGNING NUT | 01 |
| 004 | 0581010392 | MOBILE COVER | 01 |
| 005 | 0503030387 | PLUG | 02 |
| 006 | 0503010002 | 1800 GREASE FITTING | 02 |
| 007 | 0502012827 | PISTON | 01 |
| 008 | 0503018136 | ZW 007600260 AGEL RING | 01 |
| 009 | 0502012826 | RING SUPPORT | 01 |
| 010 | 0503010042 | 2-214 N 3006-9B O'RING | 01 |
| 011 | 0503010343 | 2-334 N 3006-9B O'RING | 02 |
| 012 | 0503011059 | 8-334 BACK-UP RING | 02 |
| 013 | 0503017936 | RING | 01 |
| 014 | 0503017937 | GASKET | 01 |
| 015 | 0503017938 | RING GUIDE | 01 |
| 016 | 0503010761 | D-1750 SCRAPER RING | 01 |



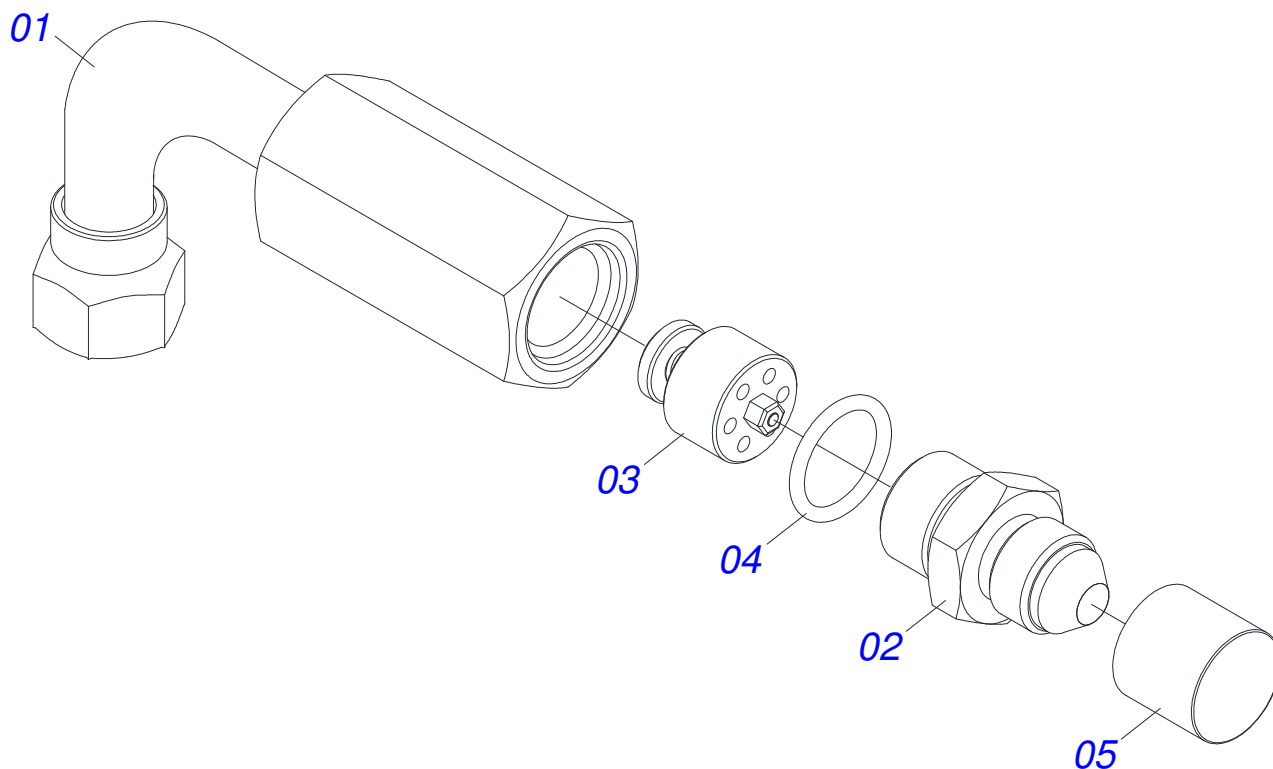
| Item | Code | Description | QT |
|------|------------|---------------------------|----|
| 001 | 0521066371 | 76,20 X 408 CYLINDER CASE | 01 |
| 002 | 0521066372 | TURNBUCKLE | 01 |
| 003 | 0503010063 | 1" SELF-ALIGNING NUT | 01 |
| 004 | 0581010392 | MOBILE COVER | 01 |
| 005 | 0503030387 | PLUG | 02 |
| 006 | 0503010002 | 1800 GREASE FITTING | 02 |
| 007 | 0502012827 | PISTON | 01 |
| 008 | 0503018136 | ZW 007600260 AGEL RING | 01 |
| 009 | 0502012826 | RING SUPPORT | 01 |
| 010 | 0503010042 | 2-214 N 3006-9B O'RING | 01 |
| 011 | 0503010343 | 2-334 N 3006-9B O'RING | 02 |
| 012 | 0503011059 | 8-334 BACK-UP RING | 02 |
| 013 | 0503017936 | RING | 01 |
| 014 | 0503017937 | GASKET | 01 |
| 015 | 0503017938 | RING GUIDE | 01 |
| 016 | 0503010761 | D-1750 SCRAPER RING | 01 |



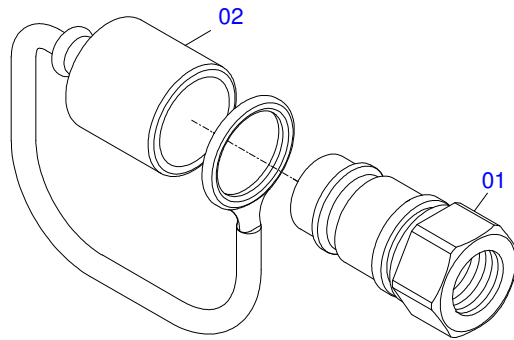
| Item | Code | Description | QT |
|------|------------|-------------------------|----|
| 001 | 0521065102 | CYLINDER CASE | 01 |
| 002 | 0521066411 | TURNBUCKLE | 01 |
| 003 | 0571019709 | DETACHABLE COVER | 01 |
| 004 | 0503010042 | 2-214 N 3006-9B O-RING | 01 |
| 005 | 0503010063 | 1" SELF-ALIGNING NUT | 01 |
| 006 | 0503010002 | 1800 GREASE FITTING | 02 |
| 007 | 0503030387 | PLUG | 02 |
| 008 | 0503018144 | RING | 01 |
| 009 | 0503017939 | 2-337 N 3006-9B O' RING | 02 |
| 010 | 0503017940 | 8-337 BACK-UP RING | 02 |
| 011 | 0503017938 | RING GUIDE | 01 |
| 012 | 0503017936 | RING | 01 |
| 013 | 0503017937 | GASKET | 01 |
| 014 | 0571019711 | RING SUPPORT | 01 |
| 015 | 0503017935 | RING | 01 |
| 016 | 0571019710 | 1.7" X 3.4" PISTON | 01 |
| 017 | 0503010761 | D-1750 SCRAPER RING | 01 |



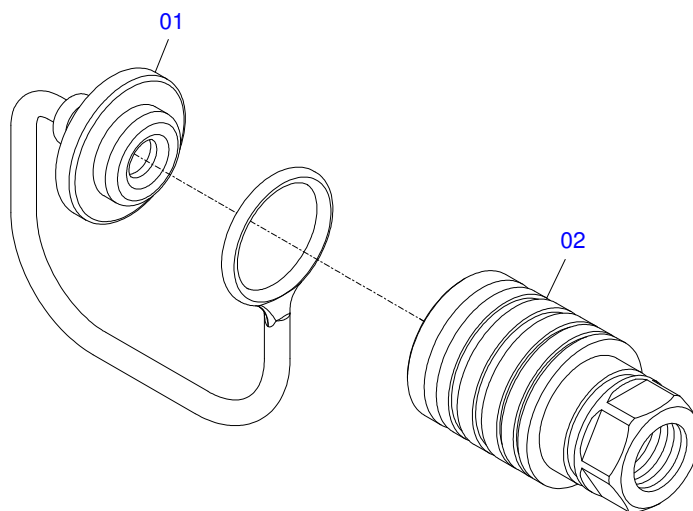
| Item | Code | Description | QT |
|------|------------|-------------------------|----|
| 001 | 0521065104 | CYLINDER CASE | 01 |
| 002 | 0521066411 | TURNBUCKLE | 01 |
| 003 | 0502010993 | DETACHABLE COVER | 01 |
| 004 | 0503010042 | 2-214 N 3006-9B O'RING | 01 |
| 005 | 0503010063 | 1" SELF-ALIGNING NUT | 01 |
| 006 | 0503010002 | 1800 GREASE FITTING | 02 |
| 007 | 0503030387 | PLUG | 02 |
| 008 | 0503018144 | RING | 01 |
| 009 | 0503017939 | 2-337 N 3006-9B O' RING | 02 |
| 010 | 0503017940 | 8-337 BACK-UP RING | 02 |
| 011 | 0503017938 | RING GUIDE | 01 |
| 012 | 0503017936 | RING | 01 |
| 013 | 0503017937 | GASKET | 01 |
| 014 | 0571019711 | RING SUPPORT | 01 |
| 015 | 0503017935 | RING | 01 |
| 016 | 0571019710 | 1.7" X 3.4" PISTON | 01 |
| 017 | 0503010761 | D-1750 SCRAPER RING | 01 |



| Item | Code | Description | QT |
|------|------------|------------------------|----|
| 001 | 0521067686 | ADAPTER ASSY | 01 |
| 002 | 0581014051 | 1/2" NIPPLE | 01 |
| 003 | 0503016854 | VALVE ASSY | 01 |
| 004 | 0503010045 | 2-116 N 3006-9B O'RING | 01 |
| 005 | 0503030385 | PLUG | 01 |



| Item | Code | Description | QT |
|------|------------|-------------------------------------|----|
| 01 | 0503011627 | QUICK CONNECTION (MALE) AGR 1/2 NPT | 01 |
| 02 | 0503011882 | QUICK CONNECTION COVER | 01 |



| Item | Code | Description | QT |
|------|------------|------------------------|----|
| 01 | 0503011883 | QUICK CONNECTION COVER | 01 |
| 02 | 0503011628 | FEMALE QUICK COUPLER | 01 |



MARCHESAN IMPLEMENTOS E MÁQUINAS AGRÍCOLAS TATU S.A.

AV. Marchesan, 1979 - Post office box, 131 - CEP 15994-900 - Matão - SP - Brazil

Phone +55 16.3382-8282

(FAX Parts) + 55 16.3382. 8297 - (Export) + 55 16.3382.1003

e.mail: tatu@marchesan.com.br www.marchesan.com.br

Technical Publications: Elaboration

LUIZ CANDIDO

Technical Publications: Revision

JOSÉ DOMINGOS GASPARI

Contact Catálogo:

E-mail = jgaspari@marchesan.com.br

**ORIGINAL PARTS
TATU**

