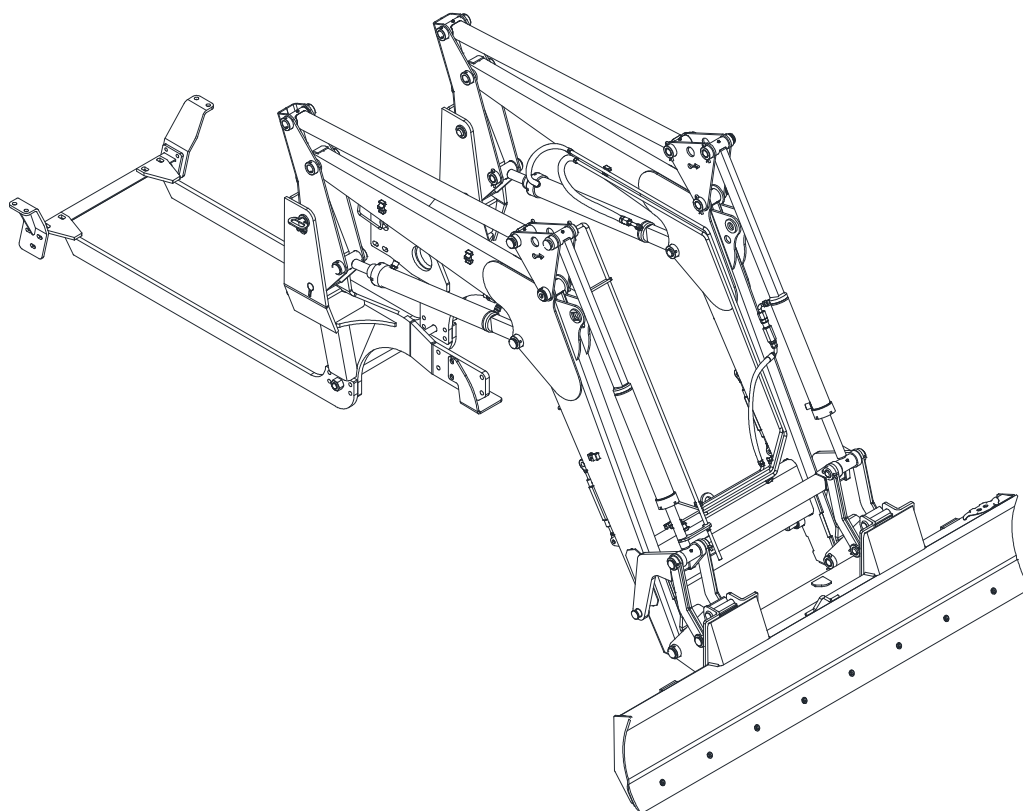


PARTS CATALOG

PCA T / PCA PLUS - AGRICULTURAL FRONT LOADER

PCA-T 2000 NH T7.175 BT SC

Code: 0501092017



Series: S-0716

Review: OUTUBRO/2017

ORIGINAL PARTS
TATU



PRODUCTS

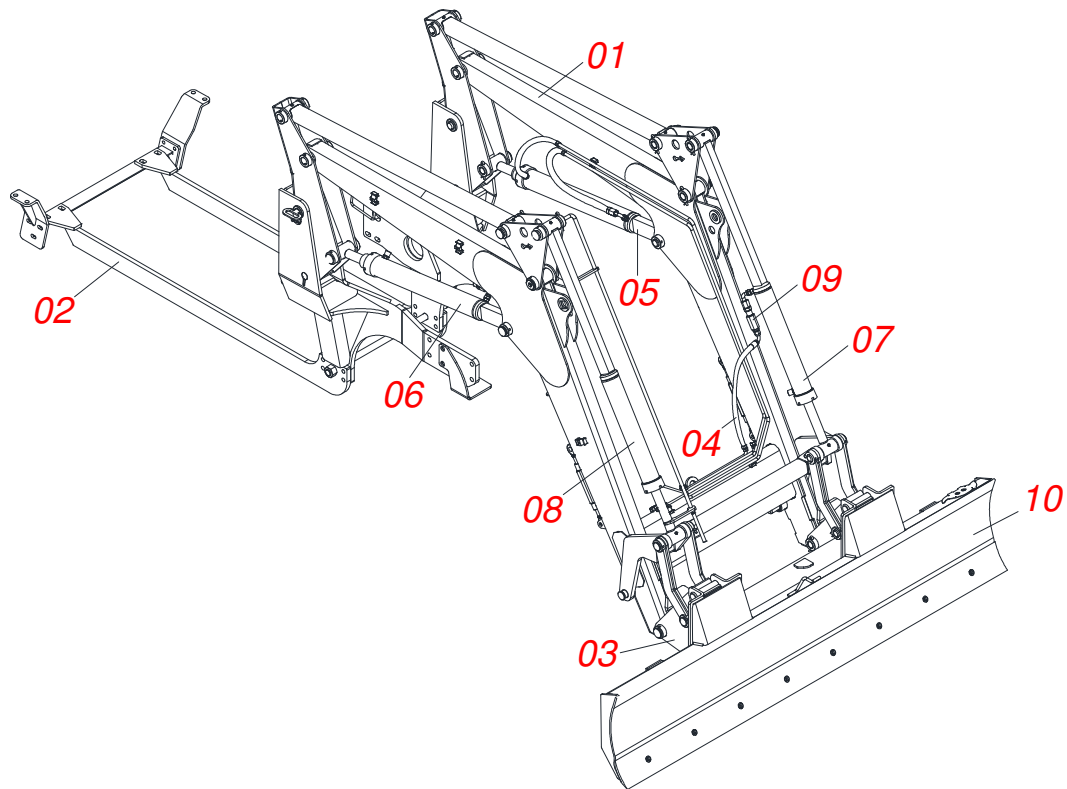
Code	Description
0106111631	PCA-T 2000 NH T7.175 BT SC S-0716

ATTENTION: **IMPORTANT**

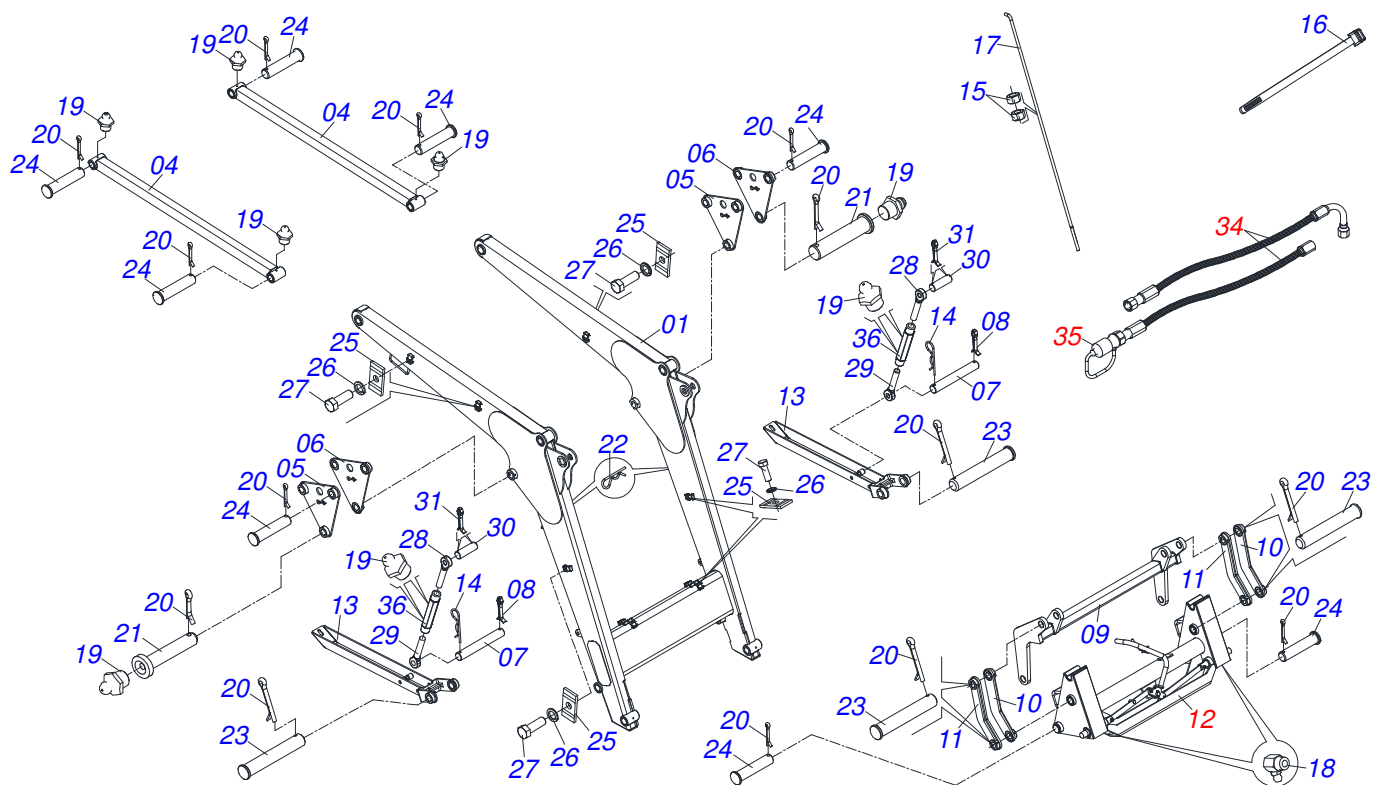
MARCHESAN S/A RESERVES THE RIGHT AT ANY TIME TO MAKE IMPROVEMENTS IN THE DESIGN, MATERIAL OR SPECIFICATIONS OF MACHINERY, EQUIPMENT OR PARTS WITHOUT THEREBY BECOMING LIABLE TO MAKE SIMILAR CHANGES IN MACHINERY, EQUIPMENT OR PARTS PREVIOUSLY SOLD.

INDEX

0106111631	PCA-T 2000 NH T7.175 BT SC	1
0521046800	SUP MOVEL COMP BT SC PCA-T 2000 NH	2
0909093564	FRAME ASSY PCA	3
0511043359	ARTICULATION ASSY	4
0909093572	HYDRAULIC CIRCUIT SUPPORT MOVEL PCA	5
0511059165	HYDRAULIC CILINDER	6
0511059166	HYDRAULIC CILINDER	7
0511059171	HYDRAULIC CILINDER	8
0511059170	HYDRAULIC CILINDER	9
0511057810	CONJUNTO VÁLVULA DE SEGURIDAD	10
0511049856	2600MM DOZER BLADE ASSY PCA-T 1750	11
0501053834	QUICK CONECTION (MALE) 1/2	12
0501053835	FEMALE QUICK COUPLER	13



Item	Code	Description	QT
01	0521046800	SUP MOVEL COMP BT SC PCA-T 2000 NH	01
02	0909093564	FRAME ASSY PCA	01
03	0511043359	ARTICULATION ASSY	01
04	0909093572	HYDRAULIC CIRCUIT SUPPORT MOVEL PCA	01
05	0511059165	HYDRAULIC CILINDER	01
06	0511059166	HYDRAULIC CILINDER	01
07	0511059171	HYDRAULIC CILINDER	01
08	0511059170	HYDRAULIC CILINDER	01
09	0511057810	CONJUNTO VÁLVULA DE SEGURIDAD	04
10	0511049856	2600MM DOZER BLADE ASSY PCA-T 1750	01



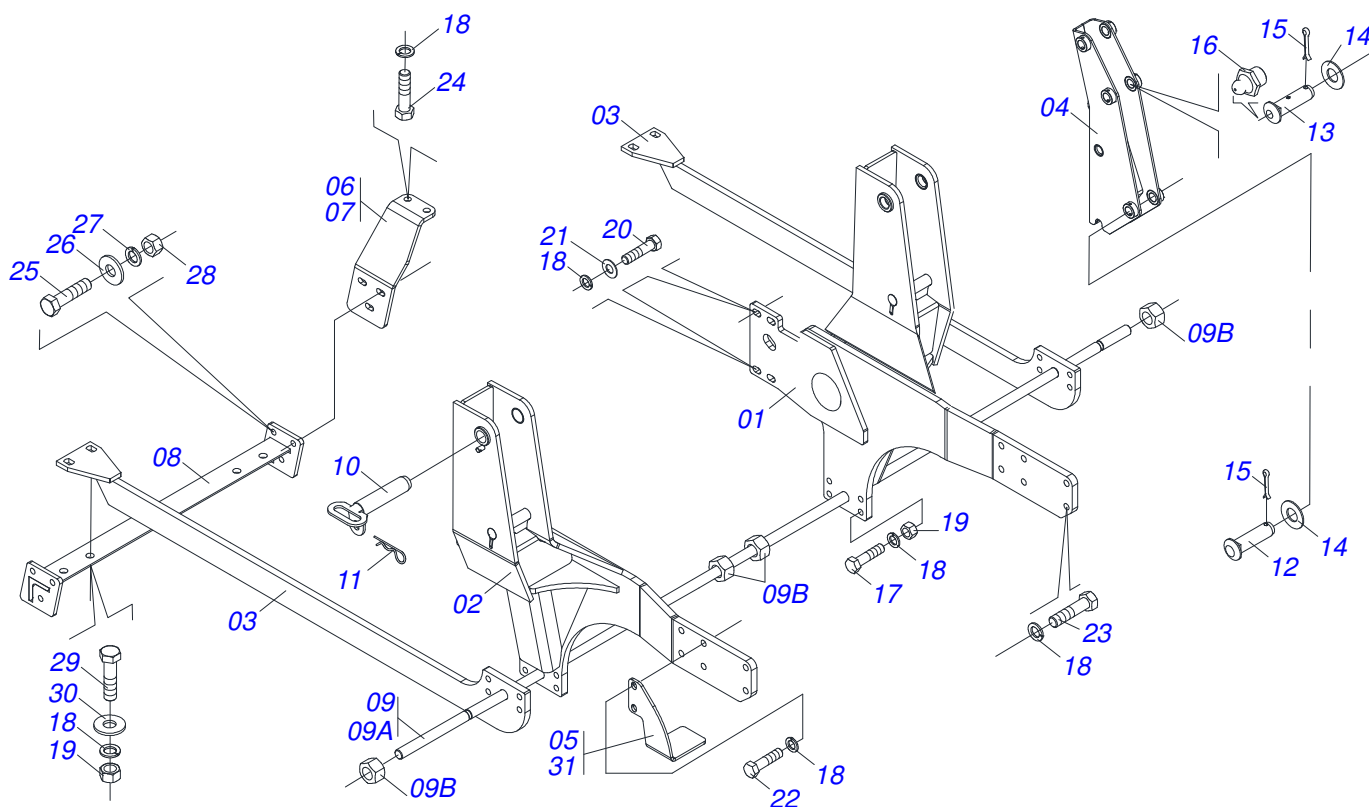
Item	Code	Description	QT
001	0511066107	MOBILE SUPPORT	01
004	0521060373	TOP BAR LIFT	02
005	0511066116	COPY ROCKER ARM	02
006	0521062748	COPY ROCKER ARM	02
007	0521012777	COUPLING SHAFT	02
008	0503010071	3/16" X 1" COTTERPIN	02
009	0511066079	LARGER COPY	01
010	0511066123	SMALLER COPY	02
011	0511066120	LEFT SMALLER COPY	02
012	0511043359	ARTICULATION ASSY	01
013	0521061020	PLOUGH SUPPORT ASSY	02
014	0503030012	HAIR PIN	02
015	0503010013	5/8" NUT	02
016	0503013527	CLAMP ZIPER	04
017	0571016767	SPRING	01
018	0503010003	1845 GREASE FITTING	02
019	0503010002	1800 GREASE FITTING	12
020	0503010073	3/8 X 3-1/2 COTTERPIN	18
021	0541014981	1.5" X 6.3" COUPLING SHAFT	04
022	0503030168	HAIR PIN	02
023	0561011939	JUNCTION AXLE	06
024	0561014067	COUPLING SHAFT	10
025	0531011180	UPPER BODY CLIP	13
026	0503010025	3/8 SPRING WASHER	13
027	0503010237	3/8" X 1" BOLT	13
028	0502012562	LEFT SPINDLE R1 X 160 PCA	02
029	0502012529	RIGHT SPINDLE R1 X 160	02
030	0561015578	3/4 X 56 PCA VTR A750 COUPLING SHAFT	02
031	0503010300	5/32" X 1" COTTERPIN	04
032	0503030964	T CONNECTOR	02
033	0503011030	2-014 N 3006-9B O'RING	22
034	0511057097	HOSE KIT MOBILE SUPPORT FULL	01
035	0501053834	QUICK CONECTION (MALE) 1/2	04



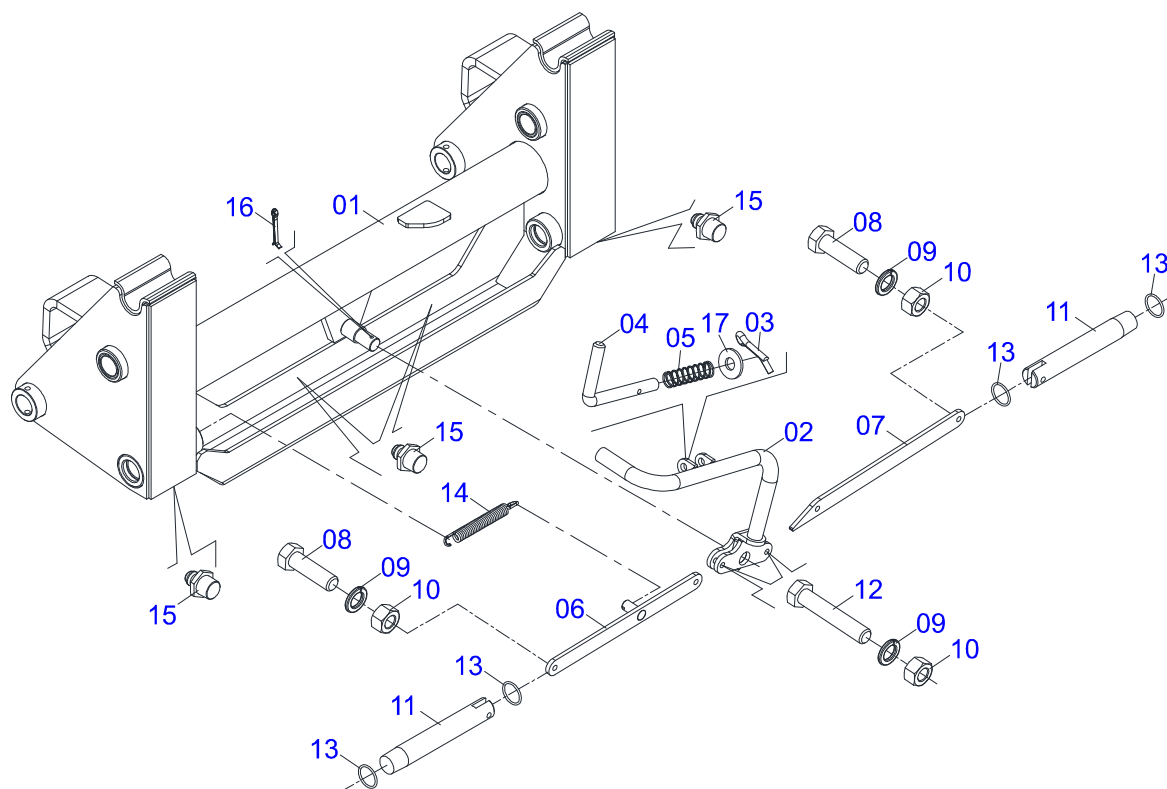
PCA-T 2000 NH T7.175 BT SC
SUP MOVEL COMP BT SC PCA-T 2000 NH

Page 2
0521046800

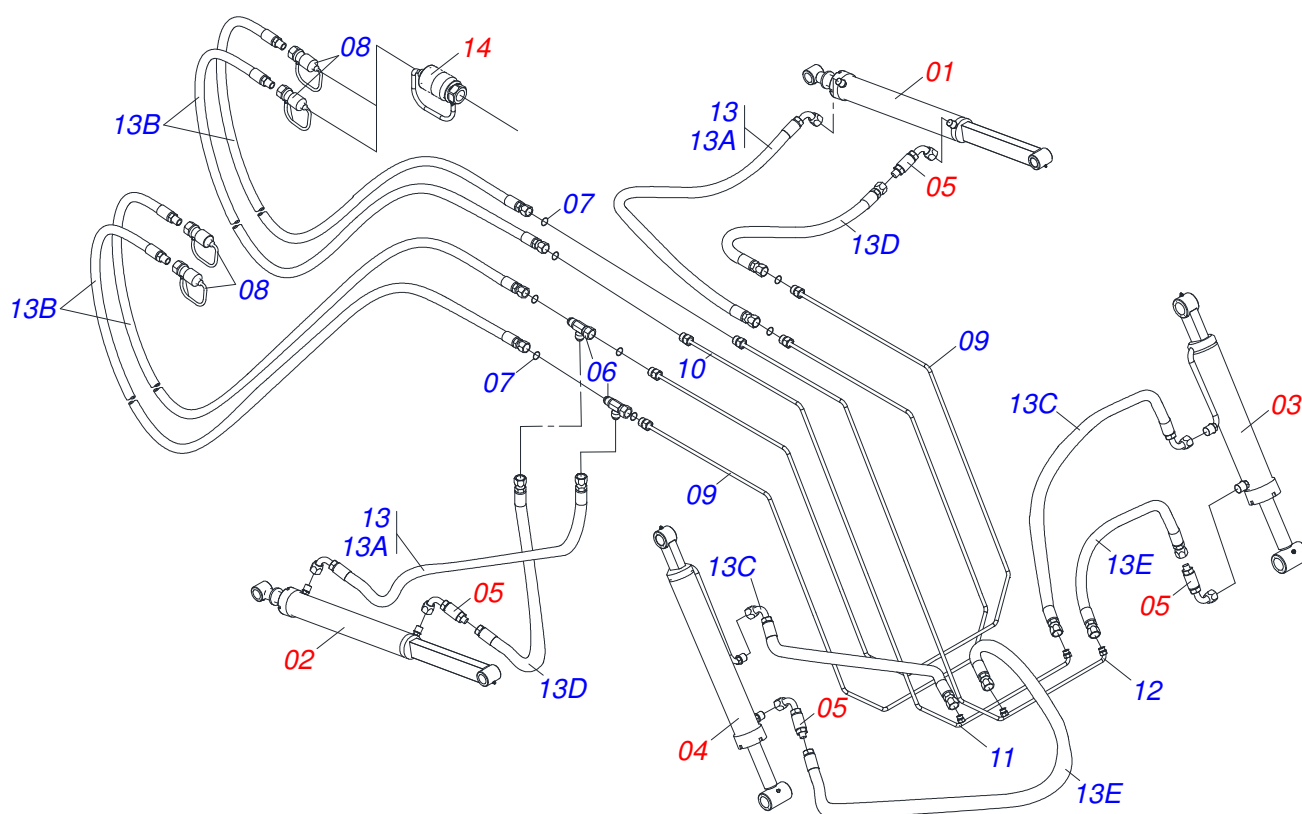
Item	Code	Description	QT
036	0502012530	REGULATOR NUT BODY R1 PCA	02



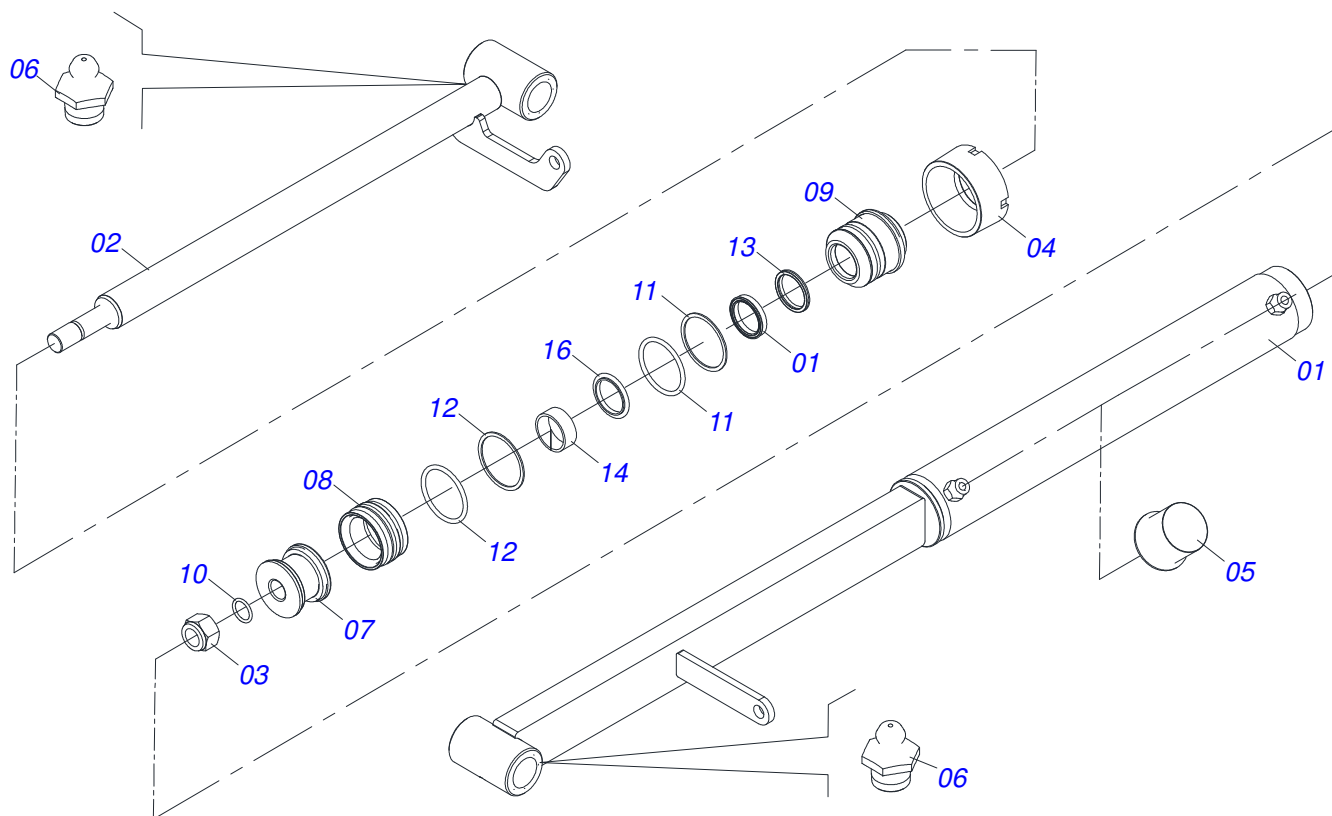
Item	Code	Description	QT
01	0521064985	RIGHT FRAME	01
02	0521064984	LEFT FRAME	01
03	0521064885	CONJUNTO DEL CHASIS	01
04	0511066080	MOBILE TOWER	02
05	0521064881	LEFT BEATER	01
06	0521064884	RH SUPPORT	01
07	0521064883	SAPATA ESQ DIFER	01
08	0521064886	FRAME FIXER SUPORT	01
09	0501040954	1.1/4" NC X 760 ROD	01
09A	0501010628	1.1/4" X 760 ROD	01
09B	0501010087	1.1/4" NUT	02
10	0521061681	SUPPORT FIXER AXLE	02
11	0503030012	HAIR PIN	02
12	0521012869	COUPLING SHAFT	02
13	0521012870	1.46" X 6.18" PIVOT SHAFT	02
14	0511019685	FLAT WASHER	04
15	0503010534	3/8 X 2-1/2 COTTERPIN	04
16	0503010002	1800 GREASE FITTING	02
17	0503012334	3/4" UNC X 3.1/2" BOLT	08
18	0503010023	SPRING WASHER	36
19	0503010014	3/4" NUT	12
20	0503013112	M20 X 2,5 X 70 BOLT	08
21	0501010322	FLAT WASHER	08
22	0503013104	M20 X 2,5 X 80 BOLT	04
23	0503013111	M20 X 2,5 X 65 BOLT	08
24	0503011258	M18 X 1,5 X 65 BOLT	04
25	0503010899	5/8" X 2-1/4" BOLT	06
26	0501012140	FLAT WASHER	06
27	0503010027	SPRING WASHER	06
28	0503010013	5/8" NUT	06
29	0501010125	3/4" X 2-1/2" BOLT	04
30	0501010322	FLAT WASHER	04
31	0521064882	RIGHT BEATER	01



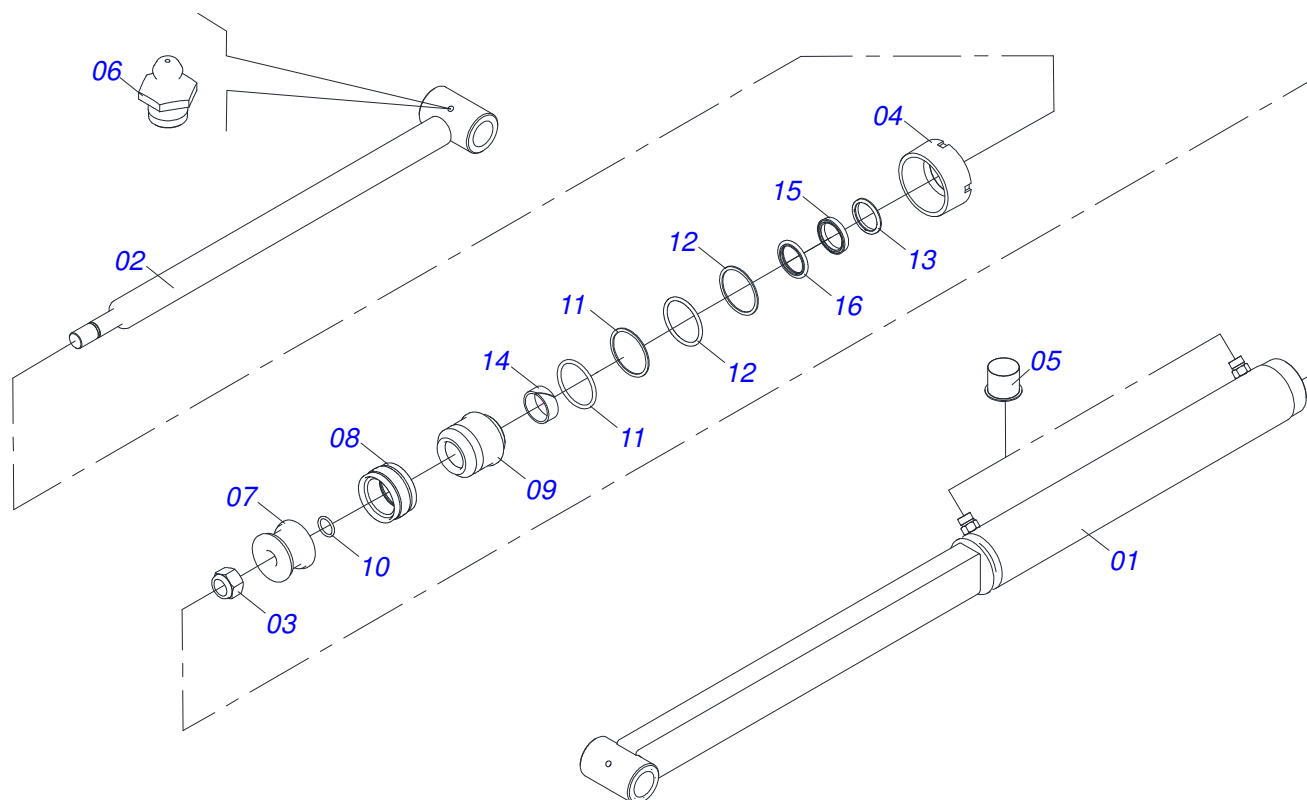
Item	Code	Description	QT
01	0511066088	ARTICULATION	01
02	0521060524	DISARM LEVER	01
03	0503010071	3/16" X 1" COTTERPIN	01
04	0541014962	DISASSEMBLE TRIGGER	01
05	0503032132	COMPRESSION SPRING	01
06	0511066181	ARM DISARM	01
07	0541014964	BODY LEFT ARM DISARM	01
08	0503010849	3/8" X 1-1/2" BOLT	02
09	0503010025	3/8 SPRING WASHER	04
10	0503010026	3/8" NUT	04
11	0541014963	LOCK PIN PCA-T 1750	02
12	0501010096	3/8" X 2" BOLT	02
13	0503010285	2-222 N 3006-9B O-RING	04
14	0503031574	6.9" X 0.8" X 0.1" EXTENSION SPRING	01
15	0503010002	1800 GREASE FITTING	04
16	0503010571	1/4" X 1.1/2 COTTERPIN	01
17	0511017302	FLAT WASHER	01



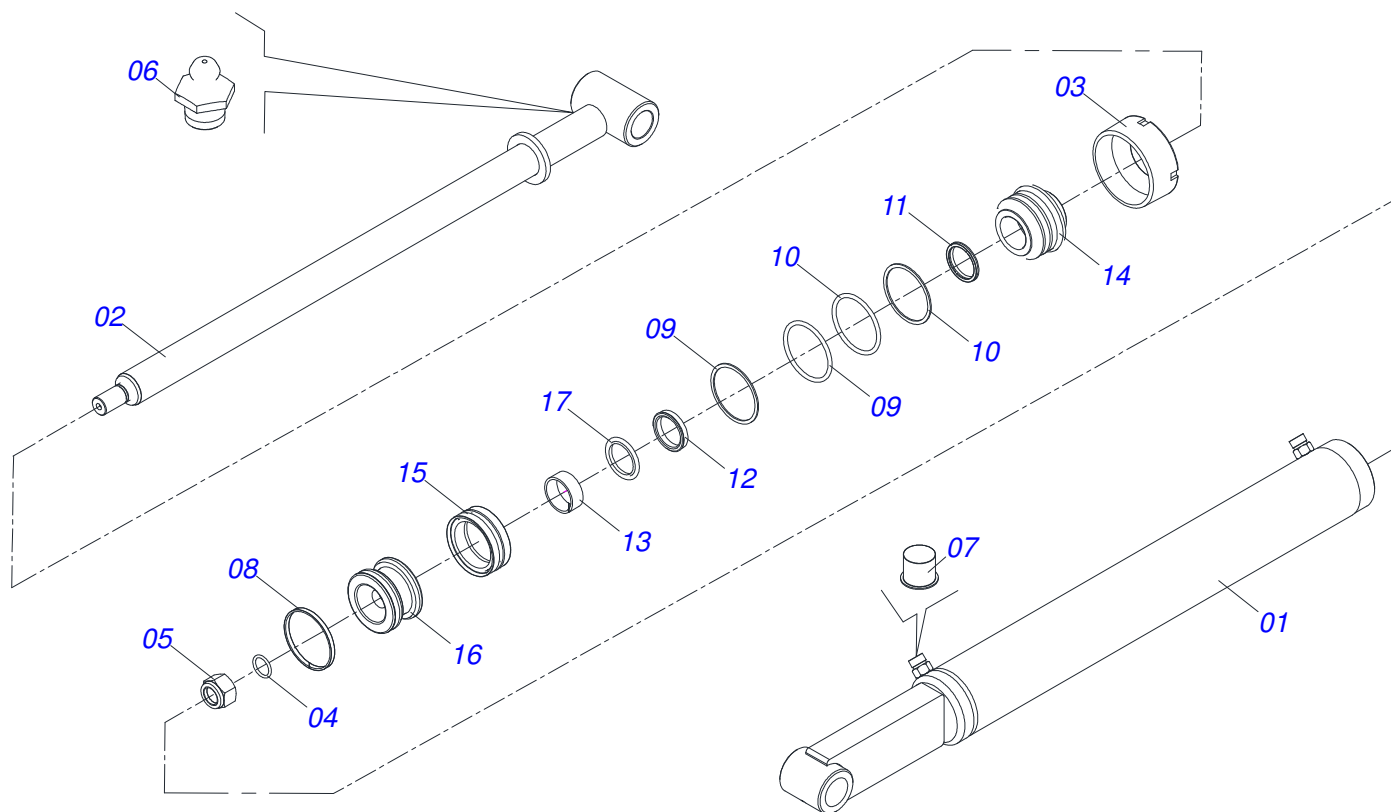
Item	Code	Description	QT
01	0511059165	HYDRAULIC CILINDER	01
02	0511059166	HYDRAULIC CILINDER	01
03	0511059171	HYDRAULIC CILINDER	02
04	0511059170	HYDRAULIC CILINDER	01
05	0511057810	CONJUNTO VÁLVULA DE SEGURIDAD	02
06	0503030964	T CONNECTOR	02
07	0503011030	2-014 N 3006-9B O'RING	22
08	0501053834	QUICK CONECTION (MALE) 1/2	04
09	0521067358	PUMP PRESSURE TUBE	01
10	0521067356	DUCTO RETENES OLEO	01
11	0521067355	PUMP PRESSURE TUBE	01
12	0521067354	DUCT SEAL OIL	01
13	0511057097	HOSE KIT MOBILE SUPPORT FULL	01
13A	0501080970	1/2" X 23.6" TR-TC OFS HOSE	02
13B	0501081931	HOSE 1/2 X	04
13C	0501080969	1/2" X 750 TR-TC OFS HOSE	02
13D	0501081584	HOSE 1/2 X	02
13E	0501081084	HOSE	02
14	0501053835	FEMALE QUICK COUPLER	02



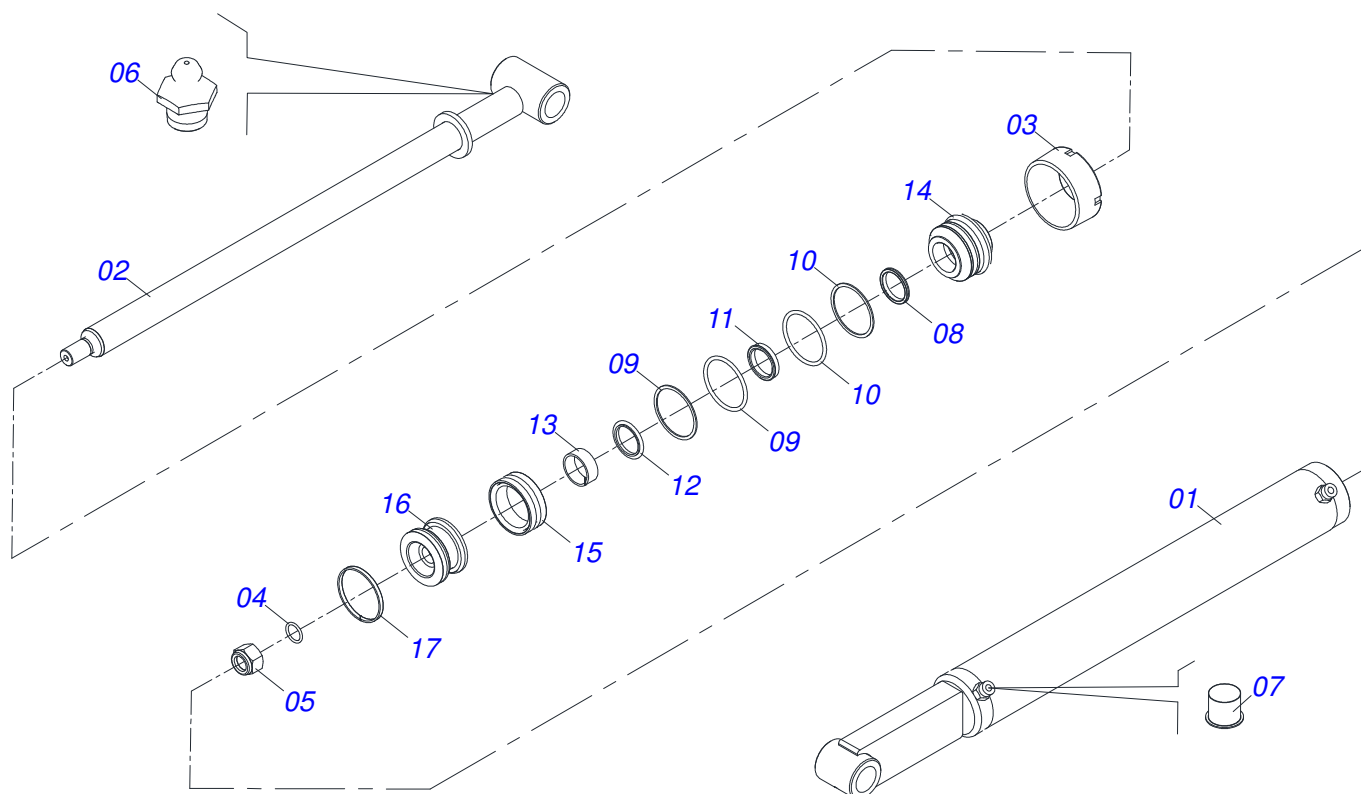
Item	Code	Description	QT
001	0521066374	RH CYLINDER CASE	01
002	0521066373	44,45 X 670 TURNBUCKLE	01
003	0503010063	1" SELF-ALIGNING NUT	01
004	0581010392	MOBILE COVER	01
005	0503030387	PLUG	02
006	0503010002	1800 GREASE FITTING	02
007	0502012827	PISTON	01
008	0503018136	ZW 007600260 AGEL RING	01
009	0502012826	RING SUPPORT	01
010	0503010042	2-214 N 3006-9B O-RING	01
011	0503010343	2-334 N 3006-9B O-RING	02
012	0503011059	8-334 BACK-UP RING	02
013	0503017936	RING	01
014	0503017937	GASKET	01
015	0503017938	RING GUIDE	01
016	0503010761	D-1750 SCRAPER RING	01



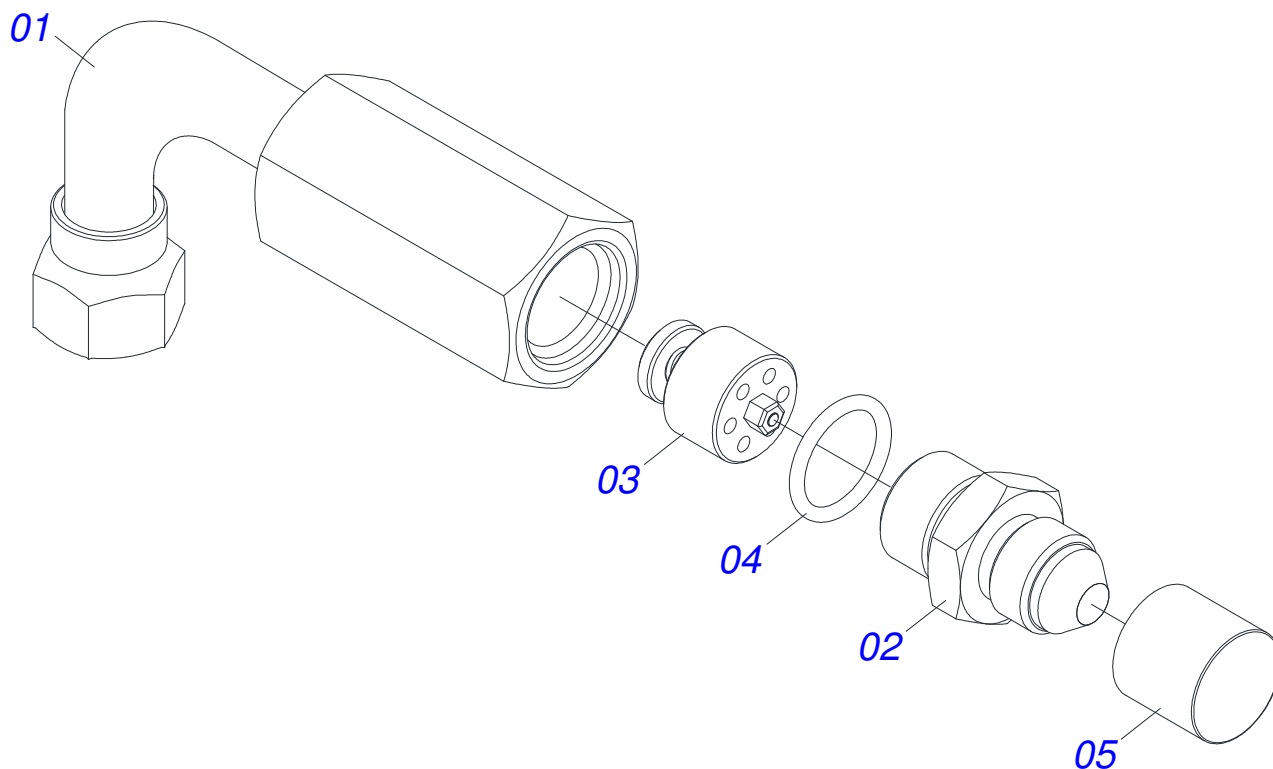
Item	Code	Description	QT
001	0521066371	76,20 X 408 CYLINDER CASE	01
002	0521066372	TURNBUCKLE	01
003	0503010063	1" SELF-ALIGNING NUT	01
004	0581010392	MOBILE COVER	01
005	0503030387	PLUG	02
006	0503010002	1800 GREASE FITTING	02
007	0502012827	PISTON	01
008	0503018136	ZW 007600260 AGEL RING	01
009	0502012826	RING SUPPORT	01
010	0503010042	2-214 N 3006-9B O-RING	01
011	0503010343	2-334 N 3006-9B O-RING	02
012	0503011059	8-334 BACK-UP RING	02
013	0503017936	RING	01
014	0503017937	GASKET	01
015	0503017938	RING GUIDE	01
016	0503010761	D-1750 SCRAPER RING	01



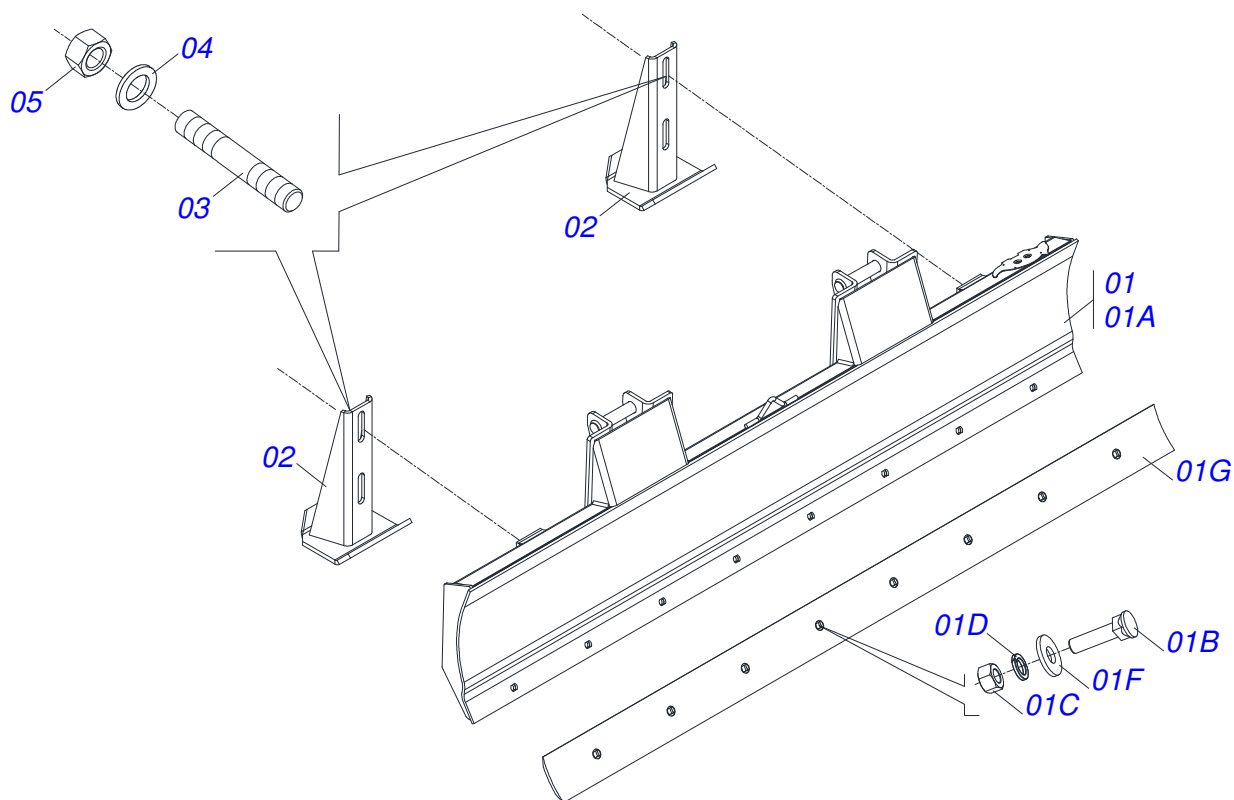
Item	Code	Description	QT
001	0521065102	CYLINDER CASE	01
002	0521066411	TURNBUCKLE	01
003	0571019709	DETACHABLE COVER	01
004	0503010042	2-214 N 3006-9B O-RING	01
005	0503010063	1" SELF-ALIGNING NUT	01
006	0503010002	1800 GREASE FITTING	02
007	0503030387	PLUG	02
008	0503018144	RING	01
009	0503017939	2-337 N 3006-9B O' RING	02
010	0503017940	8-337 BACK-UP RING	02
011	0503017938	RING GUIDE	01
012	0503017936	RING	01
013	0503017937	GASKET	01
014	0571019711	RING SUPPORT	01
015	0503017935	RING	01
016	0571019710	1.7" X 3.4" PISTON	01
017	0503010761	D-1750 SCRAPER RING	01



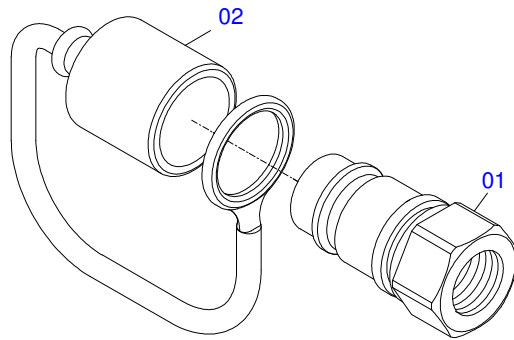
Item	Code	Description	QT
001	0521065104	CYLINDER CASE	01
002	0521066411	TURNBUCKLE	01
003	0502010993	DETACHABLE COVER	01
004	0503010042	2-214 N 3006-9B O'RING	01
005	0503010063	1" SELF-ALIGNING NUT	01
006	0503010002	1800 GREASE FITTING	02
007	0503030387	PLUG	02
008	0503018144	RING	01
009	0503017939	2-337 N 3006-9B O' RING	02
010	0503017940	8-337 BACK-UP RING	02
011	0503017938	RING GUIDE	01
012	0503017936	RING	01
013	0503017937	GASKET	01
014	0571019711	RING SUPPORT	01
015	0503017935	RING	01
016	0571019710	1.7" X 3.4" PISTON	01
017	0503010761	D-1750 SCRAPER RING	01



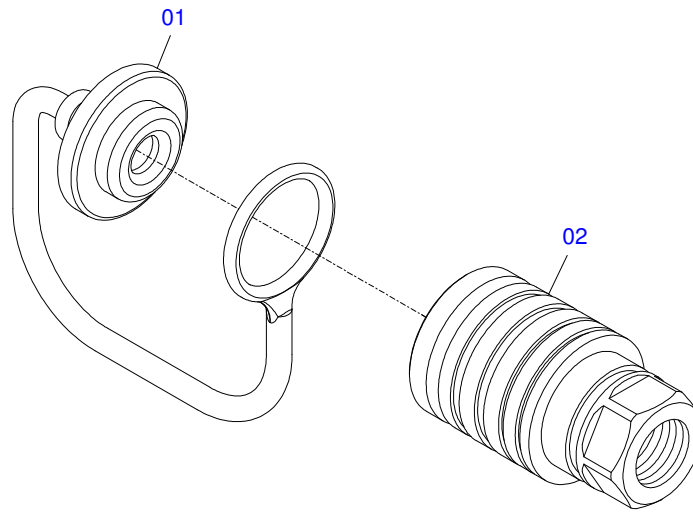
Item	Code	Description	QT
001	0521067686	ADAPTER ASSY	01
002	0581014051	1/2" NIPPLE	01
003	0503016854	VALVE ASSY	01
004	0503010045	2-116 N 3006-9B O'RING	01
005	0503030385	PLUG	01



Item	Code	Description	QT
001	0511048239	LDA 2600 WITHOUT SHOE	01
001A	0622360011	2600 SCRAPER REVERSIBLE	01
001B	0501012240	5/8" X 2-1/2" BOLT	08
001C	0503010013	5/8" NUT	08
001D	0503011445	SPRING WASHER	08
001F	0501012140	FLAT WASHER	08
001G	0521061289	2400MM DOZER BLADE	01
001H	0503033429	ADHESIVE LABEL	01
001I	0503034003	ALUMINUM ID TAG	01
001J	0503010001	RIVET POP	04
002	0501063411	ESTABILIZER BRACKET	02
003	0561016756	3/4 UNC X 3/4 UNC X 56 PRISONER	04
004	0501010322	FLAT WASHER	04
005	0503010014	3/4" NUT	04
006	0503031087	ADHESIVE LABEL	01
007	0503033429	ADHESIVE LABEL	01



Item	Code	Description	QT
01	0503011627	QUICK CONNECTION (MALE) AGR 1/2 NPT	01
02	0503011882	QUICK CONNECTION COVER	01



Item	Code	Description	QT
01	0503011883	QUICK CONNECTION COVER	01
02	0503011628	FEMALE QUICK COUPLER	01



MARCHESAN IMPLEMENTOS E MÁQUINAS AGRÍCOLAS TATU S.A.
AV. Marchesan, 1979 - Post office box, 131 - CEP 15994-900 - Matão - SP - Brazil
Phone +55 16.3382-8282
(FAX Parts) + 55 16.3382. 8297 - (Export) + 55 16.3382.1003
e.mail: tatu@marchesan.com.br www.marchesan.com.br

Technical Publications: Elaboration

LUIZ CANDIDO

Technical Publications: Revision

JOSÉ DOMINGOS GASPARI

Contact Catálogo:

E-mail = jgaspari@marchesan.com.br

**ORIGINAL PARTS
TATU**

