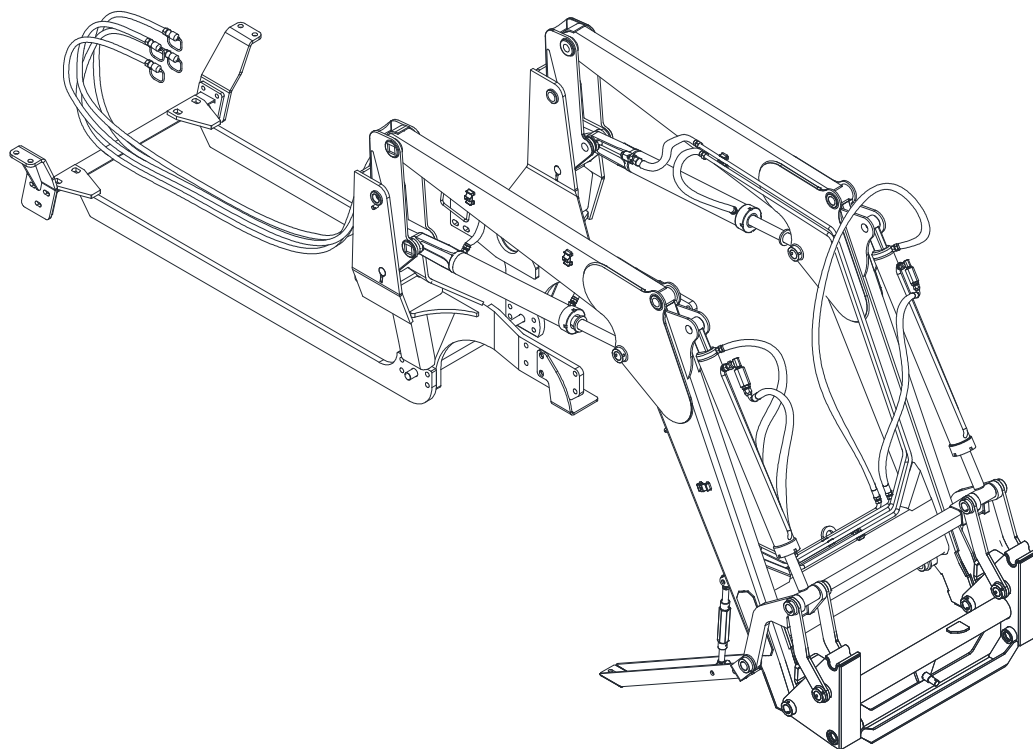


# **PARTS CATALOG**

## **PCA - AGRICULTURAL FRONT LOADER**

**PCA 2000 NH T7. 175/205 BT SC SL**

**Code: 0501092016**



**Series: S-0716**

**Review: OUTUBRO/2017**

**ORIGINAL PARTS  
TATU**



# PRODUCTS

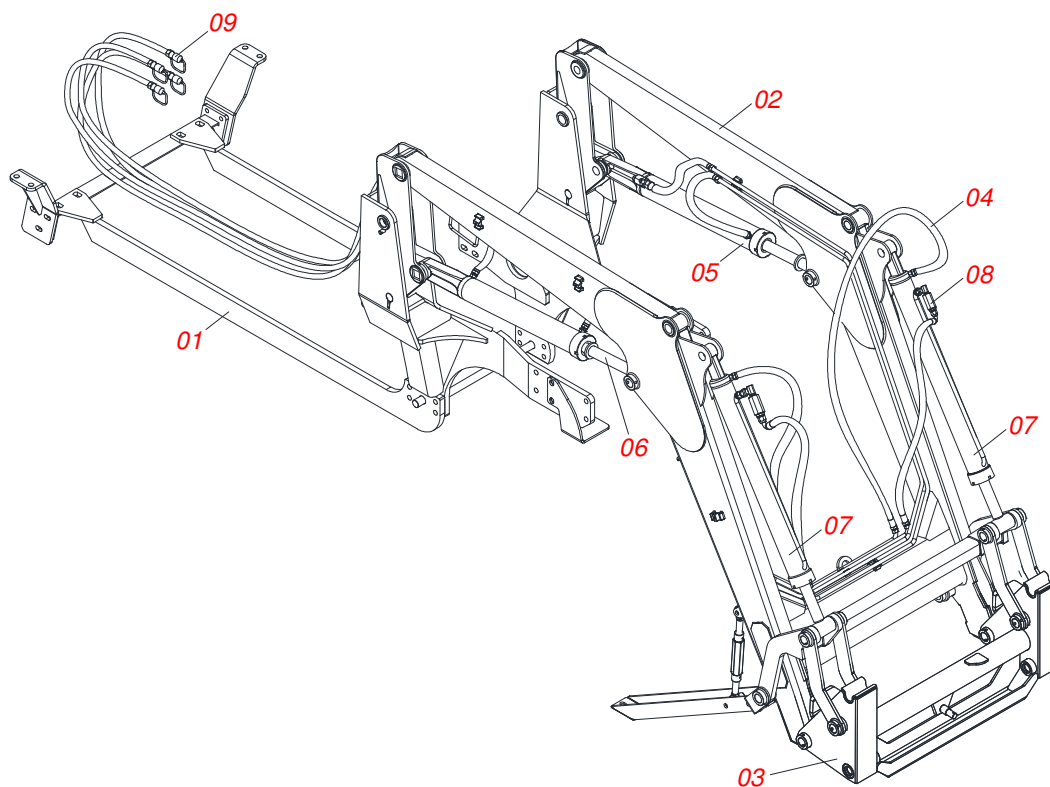
| Code       | Description                      |
|------------|----------------------------------|
| 0106111628 | PCA 2000 NH T7. 175/205 BT SC SL |

## ATTENTION: **IMPORTANT**

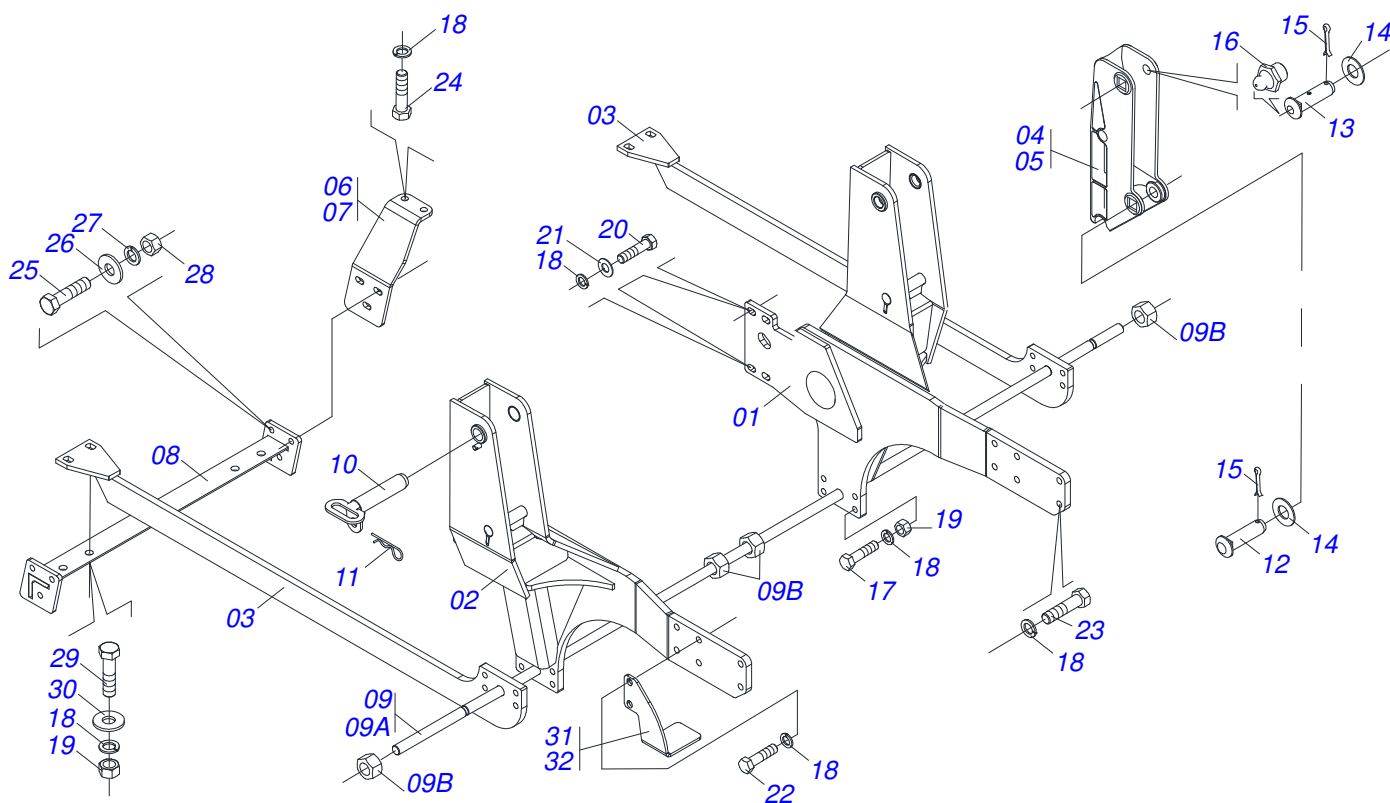
MARCHESAN S/A RESERVES THE RIGHT AT ANY TIME TO MAKE IMPROVEMENTS IN THE DESIGN, MATERIAL OR SPECIFICATIONS OF MACHINERY, EQUIPMENT OR PARTS WITHOUT THEREBY BECOMING LIABLE TO MAKE SIMILAR CHANGES IN MACHINERY, EQUIPMENT OR PARTS PREVIOUSLY SOLD.

# INDEX

|            |                                  |       |    |
|------------|----------------------------------|-------|----|
| 0106111628 | PCA 2000 NH T7. 175/205 BT SC SL | ..... | 1  |
| 0909093535 | FRAME ASSY PCA                   | ..... | 2  |
| 0909093536 | MOVEL SUPPORT SET PCA            | ..... | 3  |
| 0511043359 | ARTICULATION ASSY                | ..... | 4  |
| 0909093555 | HYDRAULIC CIRCUIT SUPPORT MOVEL  | ..... | 5  |
| 0511057969 | HYDRAULIC CILINDER               | ..... | 6  |
| 0511057972 | HYDRAULIC CILINDER               | ..... | 7  |
| 0511059169 | HYDRAULIC CILINDER               | ..... | 8  |
| 0511057810 | CONJUNTO VÁLVULA DE SEGURIDAD    | ..... | 9  |
| 0501053834 | QUICK CONECTION (MALE) 1/2       | ..... | 10 |
| 0501053835 | FEMALE QUICK COUPLER             | ..... | 11 |



| Item | Code       | Description                     | QT |
|------|------------|---------------------------------|----|
| 001  | 0909093535 | FRAME ASSY PCA                  | 01 |
| 002  | 0909093536 | MOVEL SUPPORT SET PCA           | 01 |
| 003  | 0511043359 | ARTICULATION ASSY               | 01 |
| 004  | 0909093555 | HYDRAULIC CIRCUIT SUPPORT MOVEL | 01 |
| 005  | 0511057969 | HYDRAULIC CILINDER              | 01 |
| 006  | 0511057972 | HYDRAULIC CILINDER              | 01 |
| 007  | 0511059169 | HYDRAULIC CILINDER              | 02 |
| 008  | 0511057810 | CONJUNTO VÁLVULA DE SEGURIDAD   | 04 |
| 009  | 0501053835 | FEMALE QUICK COUPLER            | 01 |

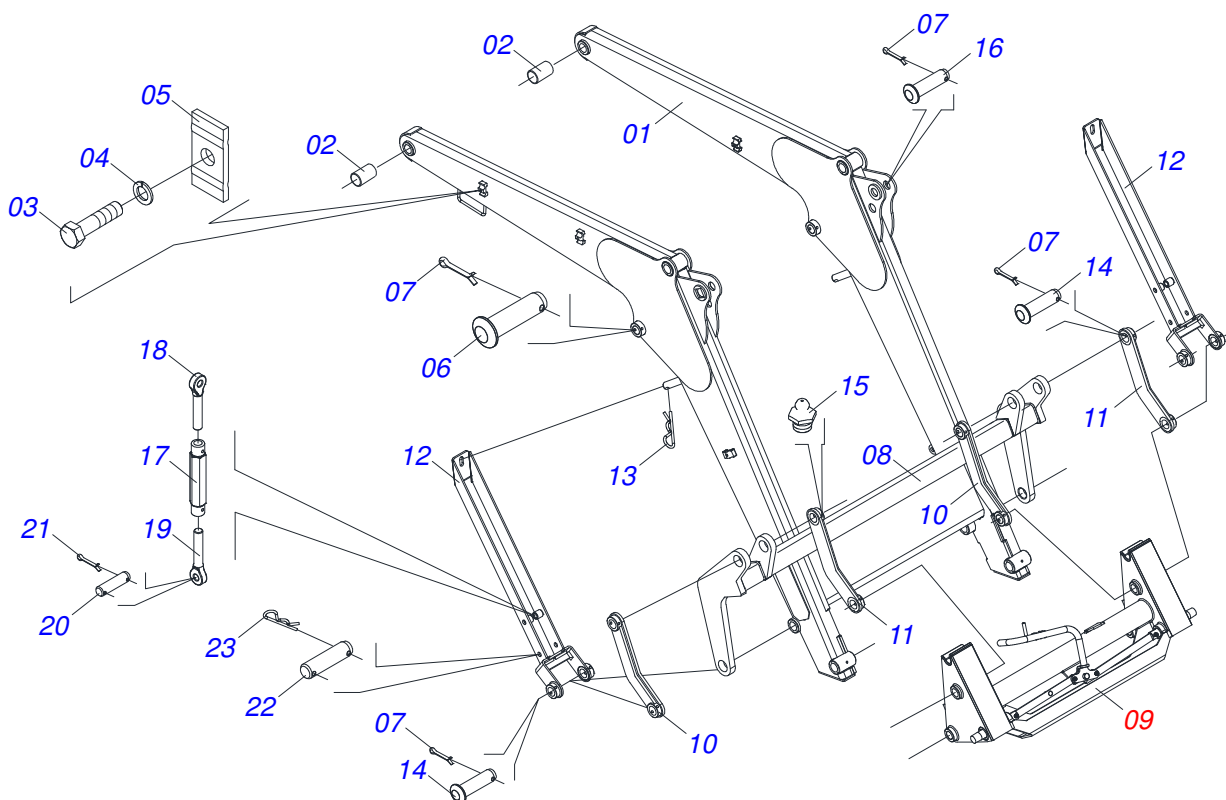


| Item | Code       | Description               | QT |
|------|------------|---------------------------|----|
| 01   | 0521064985 | RIGHT FRAME               | 01 |
| 02   | 0521064984 | LEFT FRAME                | 01 |
| 03   | 0521064885 | CONJUNTO DEL CHASIS       | 01 |
| 04   | 0502012472 | MOBILE TOWER              | 01 |
| 05   | 0502012473 | LEFT MOBILE TOWER         | 01 |
| 06   | 0521064884 | RH SUPPORT                | 01 |
| 07   | 0521064883 | SAPATA ESQ DIFER          | 01 |
| 08   | 0521064886 | FRAME FIXER SUPORT        | 01 |
| 09   | 0501040954 | 1.1/4" NC X 760 ROD       | 01 |
| 09A  | 0501010628 | 1.1/4" X 760 ROD          | 01 |
| 09B  | 0501010087 | 1.1/4" NUT                | 02 |
| 10   | 0521061681 | SUPPORT FIXER AXLE        | 02 |
| 11   | 0503030012 | HAIR PIN                  | 02 |
| 12   | 0521012869 | COUPLING SHAFT            | 02 |
| 13   | 0521012870 | 1.46" X 6.18" PIVOT SHAFT | 02 |
| 14   | 0511019685 | FLAT WASHER               | 04 |
| 15   | 0503010534 | 3/8 X 2-1/2 COTTERPIN     | 04 |
| 16   | 0503010002 | 1800 GREASE FITTING       | 02 |
| 17   | 0503012334 | 3/4" UNC X 3.1/2" BOLT    | 08 |
| 18   | 0503010023 | SPRING WASHER             | 36 |
| 19   | 0503010014 | 3/4" NUT                  | 12 |
| 20   | 0503013112 | M20 X 2,5 X 70 BOLT       | 08 |
| 21   | 0501010322 | FLAT WASHER               | 08 |
| 22   | 0503013104 | M20 X 2,5 X 80 BOLT       | 04 |
| 23   | 0503013111 | M20 X 2,5 X 65 BOLT       | 08 |
| 24   | 0503011258 | M18 X 1,5 X 65 BOLT       | 04 |
| 25   | 0503010899 | 5/8" X 2-1/4" BOLT        | 06 |
| 26   | 0501012140 | FLAT WASHER               | 06 |
| 27   | 0503010027 | SPRING WASHER             | 06 |
| 28   | 0503010013 | 5/8" NUT                  | 06 |
| 29   | 0501010125 | 3/4" X 2-1/2" BOLT        | 04 |
| 30   | 0501010322 | FLAT WASHER               | 04 |
| 31   | 0521064882 | RIGHT BEATER              | 01 |



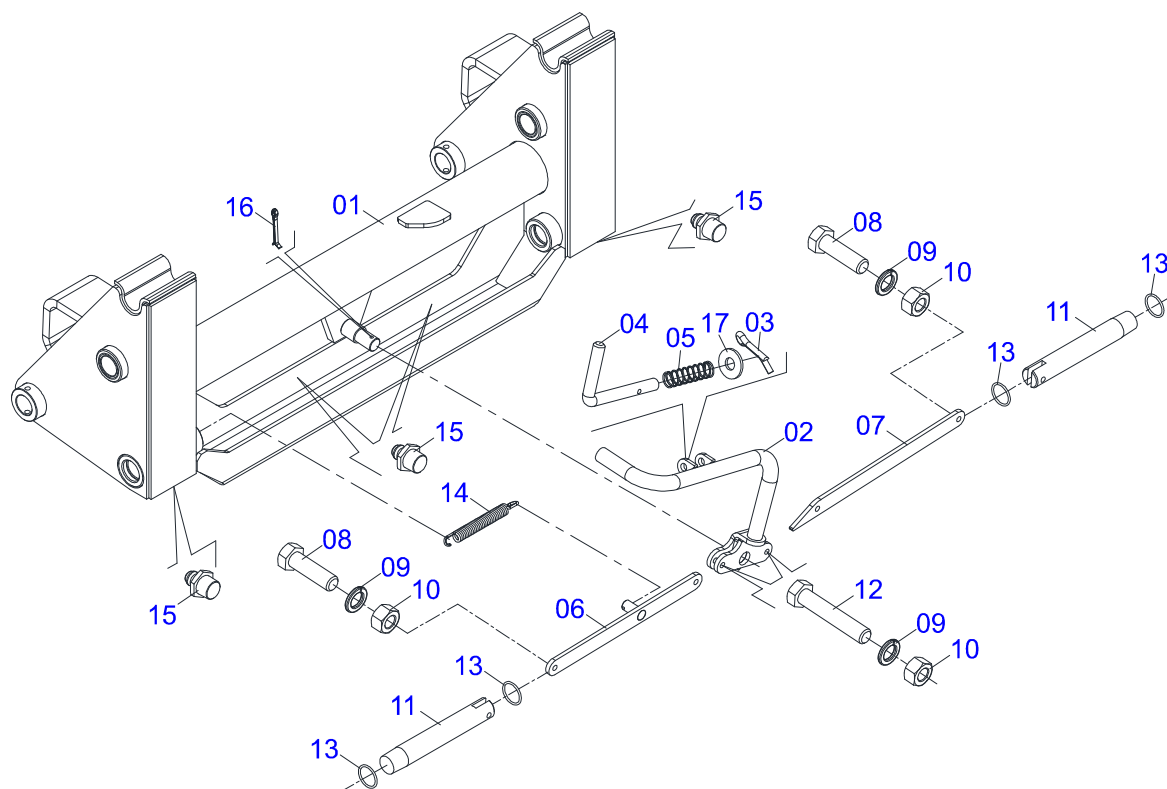
| Item | Code       | Description | QT |
|------|------------|-------------|----|
| 32   | 0521064881 | LEFT BEATER | 01 |

MOVEL SUPPORT SET PCA



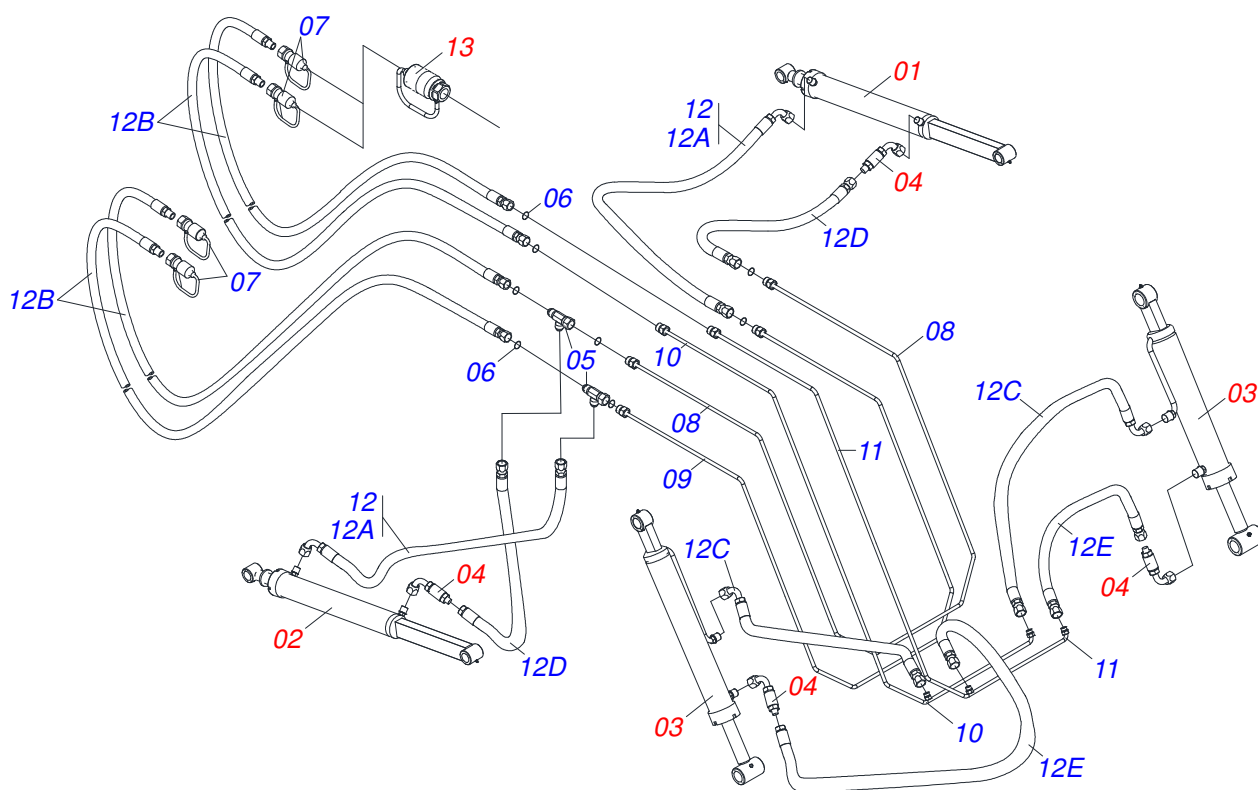
| Item | Code       | Description                          | QT |
|------|------------|--------------------------------------|----|
| 01   | 0521067353 | MOBILE SUPPORT                       | 01 |
| 02   | 0541014740 | SLEEVE                               | 08 |
| 03   | 0503011338 | 7/16" X 1" BOLT                      | 02 |
| 04   | 0503010180 | 7/16" SPRING WASHER                  | 02 |
| 05   | 0531011180 | UPPER BODY CLIP                      | 10 |
| 06   | 0561015035 | COUPLING SHAFT                       | 02 |
| 07   | 0503010073 | 3/8 X 3-1/2 COTTERPIN                | 10 |
| 08   | 0511066079 | LARGER COPY                          | 01 |
| 09   | 0511043359 | ARTICULATION ASSY                    | 01 |
| 10   | 0511066123 | SMALLER COPY                         | 02 |
| 11   | 0511066120 | LEFT SMALLER COPY                    | 02 |
| 12   | 0521061020 | PLOUGH SUPPORT ASSY                  | 02 |
| 13   | 0503030012 | HAIR PIN                             | 02 |
| 14   | 0561011939 | JUNCTION AXLE                        | 06 |
| 15   | 0503010002 | 1800 GREASE FITTING                  | 04 |
| 16   | 0541014981 | 1.5" X 6.3" COUPLING SHAFT           | 02 |
| 17   | 0502012530 | REGULATOR NUT BODY R1 PCA            | 02 |
| 18   | 0502012562 | LEFT SPINDLE R1 X 160 PCA            | 02 |
| 19   | 0502012529 | RIGHT SPINDLE R1 X 160               | 02 |
| 20   | 0561015578 | 3/4 X 56 PCA VTR A750 COUPLING SHAFT | 02 |
| 21   | 0503010300 | 5/32" X 1" COTTERPIN                 | 04 |
| 22   | 0521012777 | COUPLING SHAFT                       | 02 |
| 23   | 0503030012 | HAIR PIN                             | 04 |

ARTICULATION ASSY

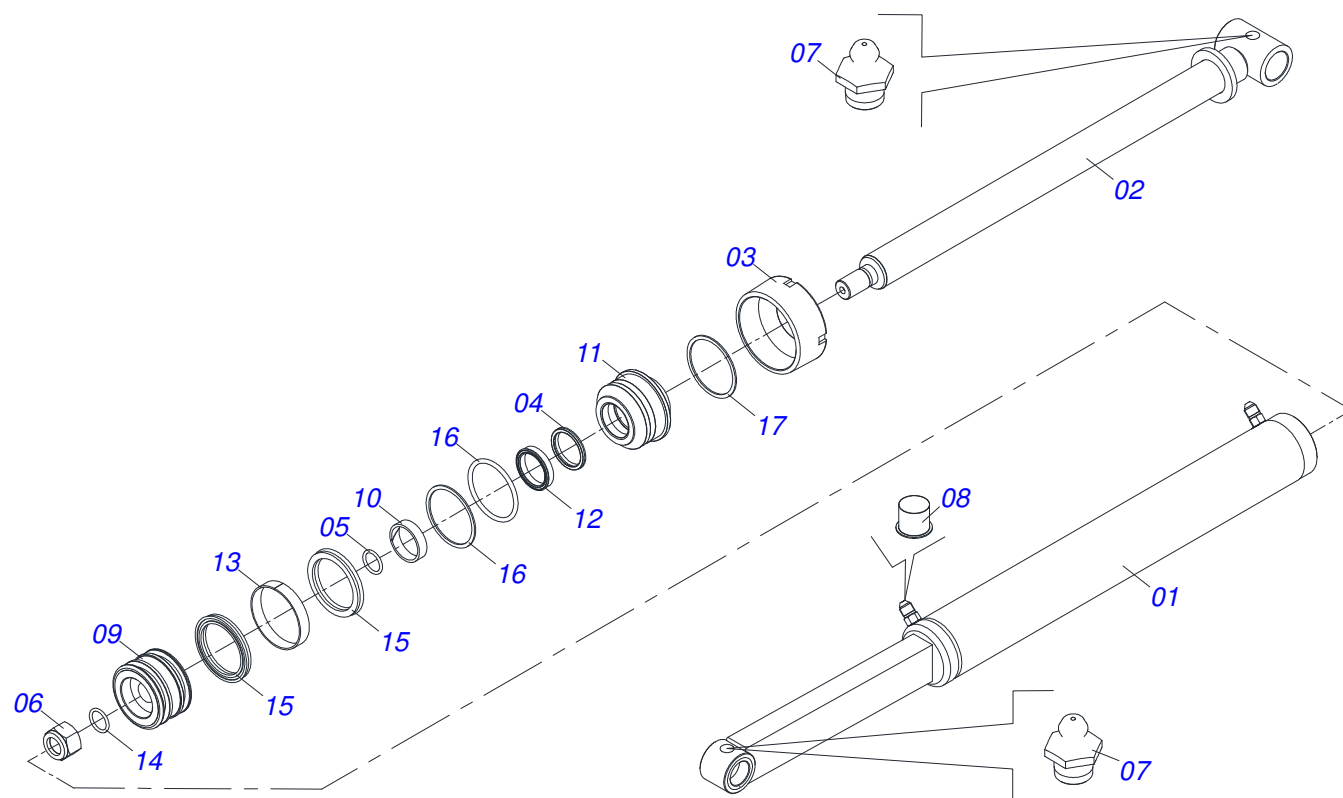


| Item | Code       | Description                         | QT |
|------|------------|-------------------------------------|----|
| 01   | 0511066088 | ARTICULATION                        | 01 |
| 02   | 0521060524 | DISARM LEVER                        | 01 |
| 03   | 0503010071 | 3/16" X 1" COTTERPIN                | 01 |
| 04   | 0541014962 | DISASSEMBLE TRIGGER                 | 01 |
| 05   | 0503032132 | COMPRESSION SPRING                  | 01 |
| 06   | 0511066181 | ARM DISARM                          | 01 |
| 07   | 0541014964 | BODY LEFT ARM DISARM                | 01 |
| 08   | 0503010849 | 3/8" X 1-1/2" BOLT                  | 02 |
| 09   | 0503010025 | 3/8 SPRING WASHER                   | 04 |
| 10   | 0503010026 | 3/8" NUT                            | 04 |
| 11   | 0541014963 | LOCK PIN PCA-T 1750                 | 02 |
| 12   | 0501010096 | 3/8" X 2" BOLT                      | 02 |
| 13   | 0503010285 | 2-222 N 3006-9B O'RING              | 04 |
| 14   | 0503031574 | 6.9" X 0.8" X 0.1" EXTENSION SPRING | 01 |
| 15   | 0503010002 | 1800 GREASE FITTING                 | 04 |
| 16   | 0503010571 | 1/4" X 1.1/2 COTTERPIN              | 01 |
| 17   | 0511017302 | FLAT WASHER                         | 01 |

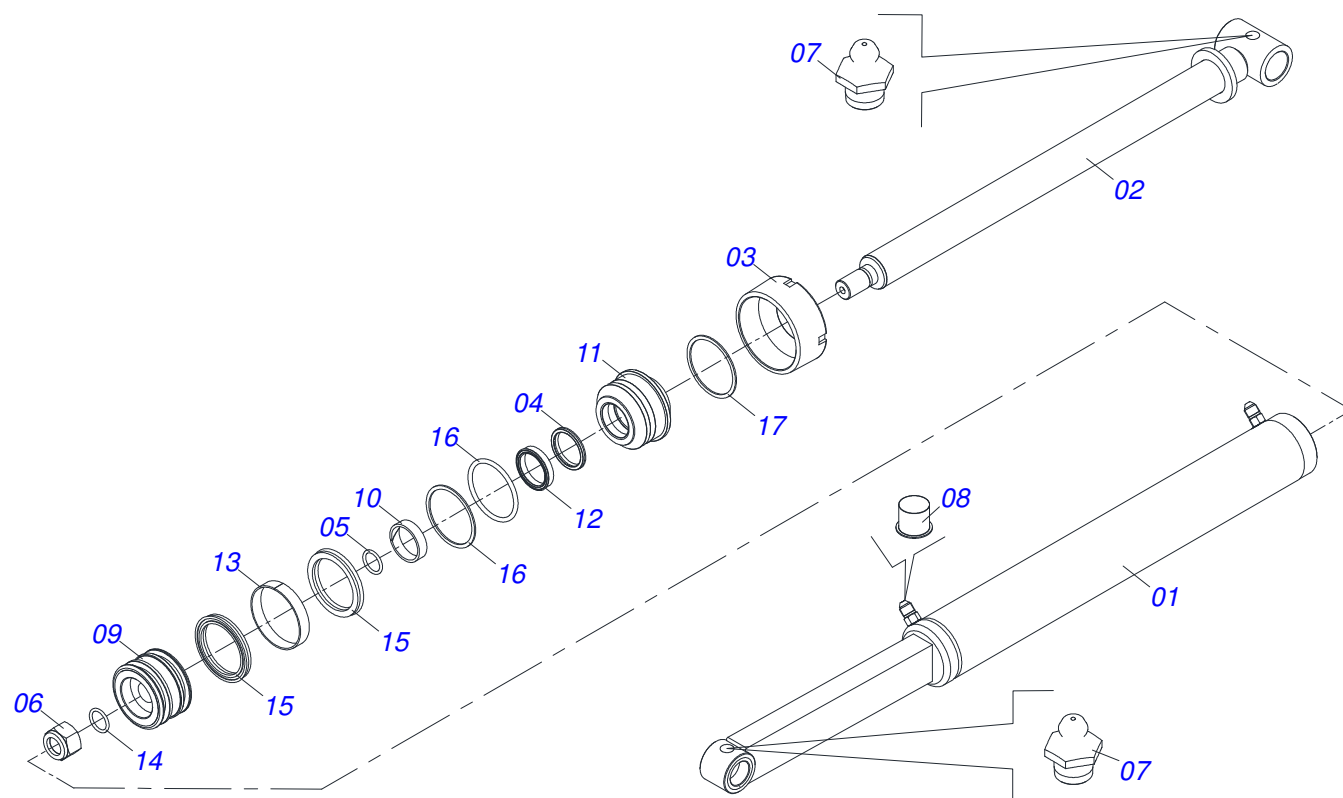




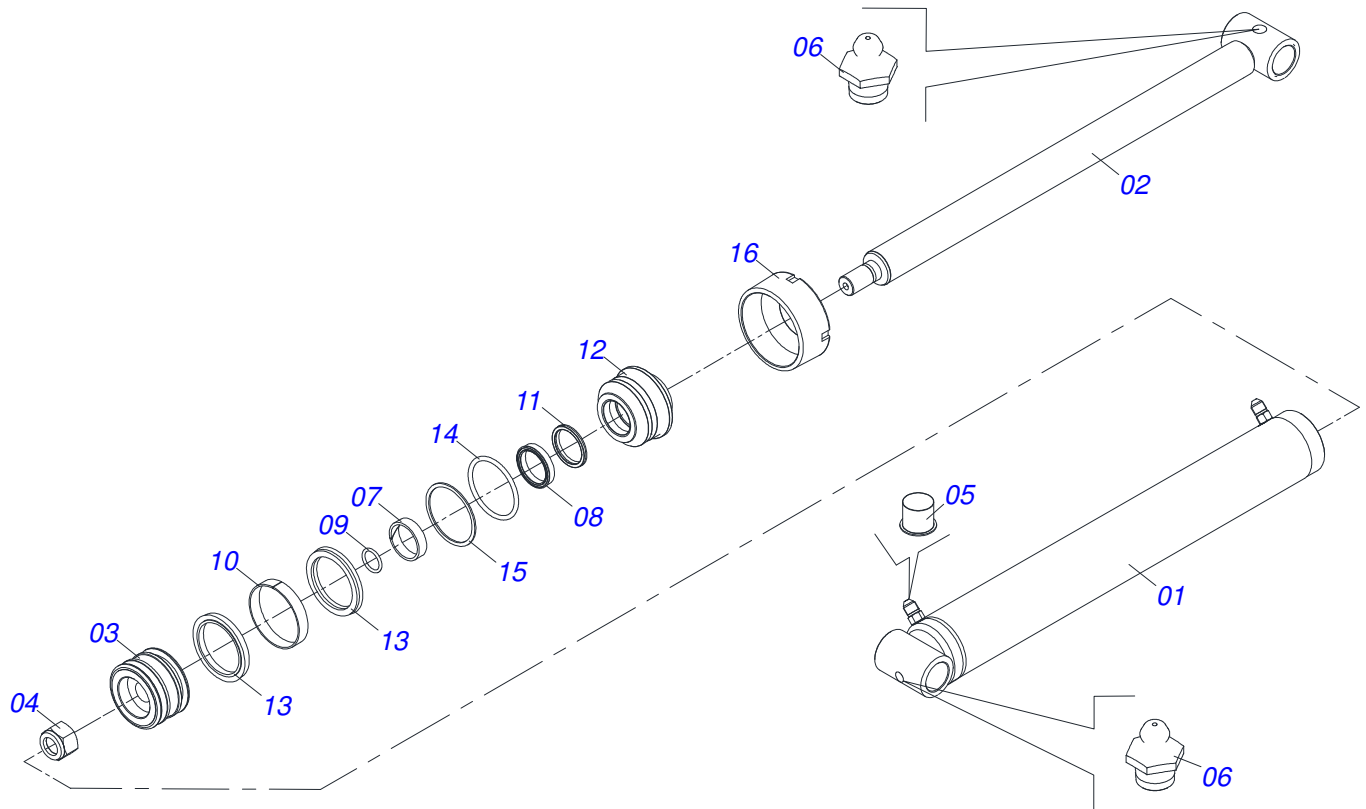
| Item | Code       | Description                   | QT |
|------|------------|-------------------------------|----|
| 01   | 0511057969 | HYDRAULIC CILINDER            | 01 |
| 02   | 0511057972 | HYDRAULIC CILINDER            | 01 |
| 03   | 0511059169 | HYDRAULIC CILINDER            | 02 |
| 04   | 0511057810 | CONJUNTO VÁLVULA DE SEGURIDAD | 02 |
| 05   | 0503030964 | T CONNECTOR                   | 02 |
| 06   | 0503011030 | 2-014 N 3006-9B O'RING        | 22 |
| 07   | 0501053834 | QUICK CONECTION (MALE) 1/2    | 04 |
| 08   | 0521067358 | PUMP PRESSURE TUBE            | 01 |
| 09   | 0521067356 | DUCTO RETENES OLEO            | 01 |
| 10   | 0521067355 | PUMP PRESSURE TUBE            | 01 |
| 11   | 0521067354 | DUCT SEAL OIL                 | 01 |
| 12   | 0511057097 | HOSE KIT MOBILE SUPPORT FULL  | 01 |
| 12A  | 0501080970 | 1/2" X 23.6" TR-TC OFS HOSE   | 02 |
| 12B  | 0501081931 | HOSE 1/2 X                    | 04 |
| 12C  | 0501080969 | 1/2" X 750 TR-TC OFS HOSE     | 02 |
| 12D  | 0501081584 | HOSE 1/2 X                    | 02 |
| 12E  | 0501081084 | HOSE                          | 02 |
| 13   | 0501053835 | FEMALE QUICK COUPLER          | 02 |



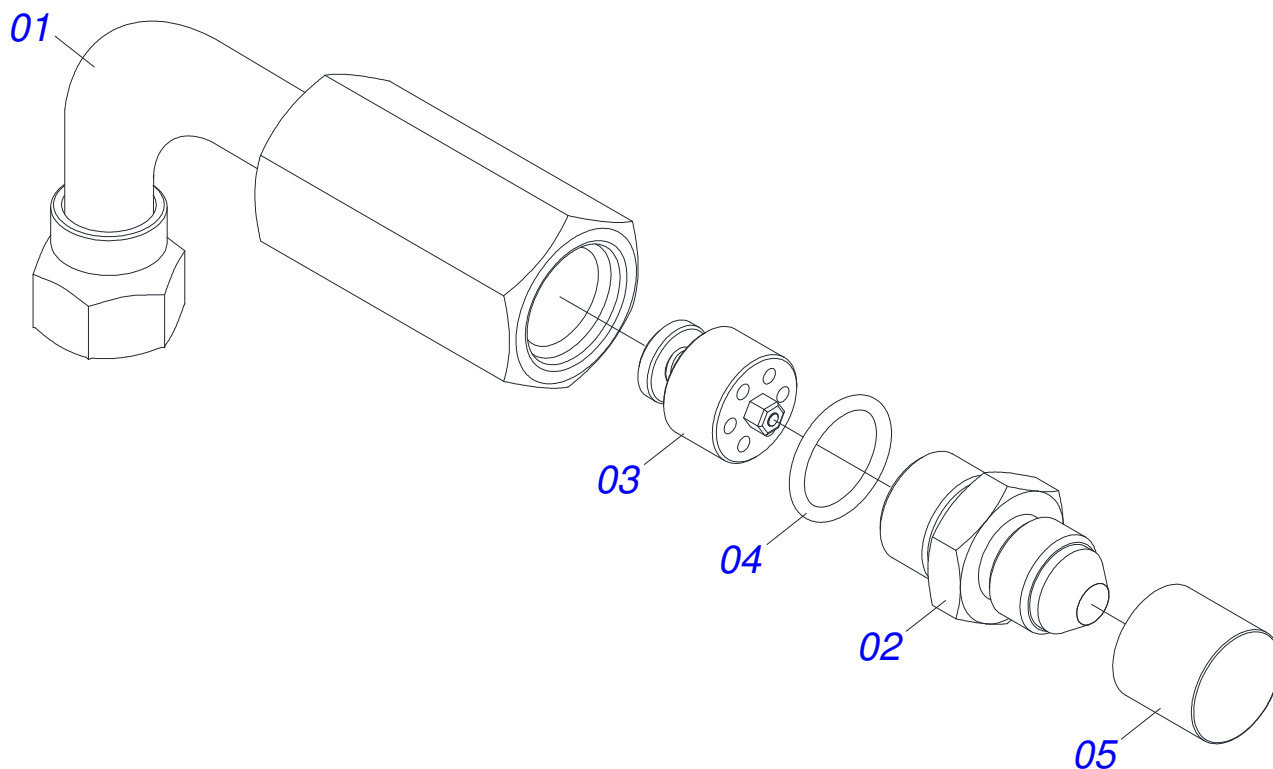
| Item | Code       | Description             | QT |
|------|------------|-------------------------|----|
| 001  | 0521064994 | RH CYLINDER CASE        | 01 |
| 002  | 0521066414 | 44,45 X TURNBUCKLE      | 01 |
| 003  | 0571019709 | DETACHABLE COVER        | 01 |
| 004  | 0503010761 | D-1750 SCRAPER RING     | 01 |
| 005  | 0503010042 | 2-214 N 3006-9B O'RING  | 01 |
| 006  | 0503010063 | 1" SELF-ALIGNING NUT    | 01 |
| 007  | 0503010002 | 1800 GREASE FITTING     | 02 |
| 008  | 0503030387 | PLUG                    | 02 |
| 009  | 0571019710 | 1.7" X 3.4" PISTON      | 01 |
| 010  | 0503017935 | RING                    | 01 |
| 011  | 0571019711 | RING SUPPORT            | 01 |
| 012  | 0503017937 | GASKET                  | 01 |
| 013  | 0503017936 | RING                    | 01 |
| 014  | 0503017938 | RING GUIDE              | 01 |
| 015  | 0503017940 | 8-337 BACK-UP RING      | 02 |
| 016  | 0503017939 | 2-337 N 3006-9B O' RING | 02 |
| 017  | 0503018144 | RING                    | 01 |



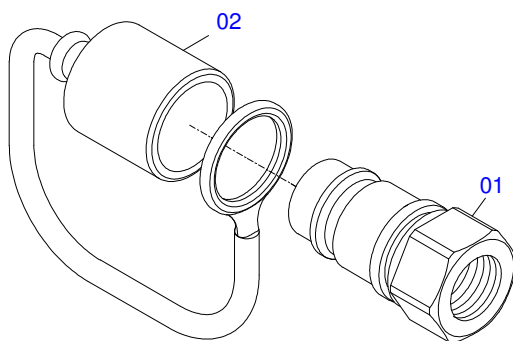
| Item | Code       | Description             | QT |
|------|------------|-------------------------|----|
| 001  | 0521064995 | LH CYLINDER CASE        | 01 |
| 002  | 0521066414 | 44,45 X TURNBUCKLE      | 01 |
| 003  | 0571019709 | DETACHABLE COVER        | 01 |
| 004  | 0503010761 | D-1750 SCRAPER RING     | 01 |
| 005  | 0503010042 | 2-214 N 3006-9B O'RING  | 01 |
| 006  | 0503010063 | 1" SELF-ALIGNING NUT    | 01 |
| 007  | 0503010002 | 1800 GREASE FITTING     | 02 |
| 008  | 0503030387 | PLUG                    | 02 |
| 009  | 0571019710 | 1.7" X 3.4" PISTON      | 01 |
| 010  | 0503017935 | RING                    | 01 |
| 011  | 0571019711 | RING SUPPORT            | 01 |
| 012  | 0503017937 | GASKET                  | 01 |
| 013  | 0503017936 | RING                    | 01 |
| 014  | 0503017938 | RING GUIDE              | 01 |
| 015  | 0503017940 | 8-337 BACK-UP RING      | 02 |
| 016  | 0503017939 | 2-337 N 3006-9B O' RING | 02 |
| 017  | 0503018144 | RING                    | 01 |



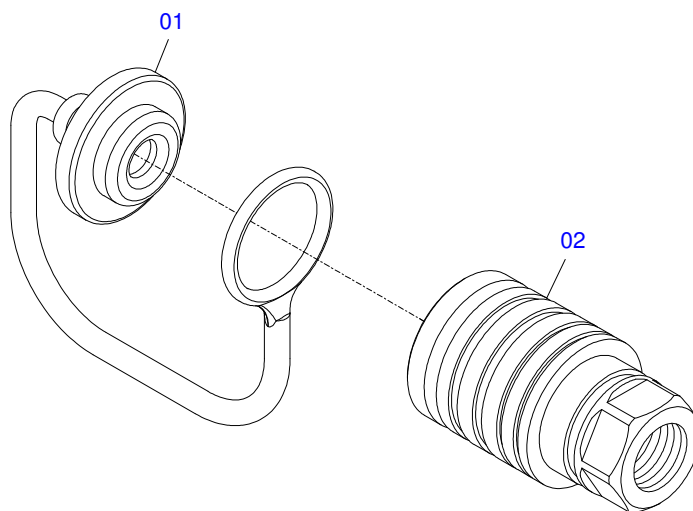
| Item | Code       | Description             | QT |
|------|------------|-------------------------|----|
| 001  | 0521066382 | CYLINDER CASE OUTLET    | 01 |
| 002  | 0521066402 | 44,45 X TURNBUCKLE      | 01 |
| 003  | 0502012264 | RING SUPPORT 1.75" X 3" | 01 |
| 004  | 0503010063 | 1" SELF-ALIGNING NUT    | 01 |
| 005  | 0503030387 | PLUG                    | 02 |
| 006  | 0503010002 | 1800 GREASE FITTING     | 02 |
| 007  | 0503010949 | W2-2000-500 PK RING G.E | 01 |
| 008  | 0503011059 | 8-334 BACK-UP RING      | 01 |
| 009  | 0503010343 | 2-334 N 3006-9B O'RING  | 01 |
| 010  | 0503010761 | D-1750 SCRAPER RING     | 01 |
| 011  | 0503010042 | 2-214 N 3006-9B O'RING  | 01 |
| 012  | 0581010304 | PISTON                  | 01 |
| 013  | 0503018138 | RING BS                 | 02 |
| 014  | 0503018140 | RING GUIDE              | 01 |
| 015  | 0503017937 | GASKET                  | 01 |
| 016  | 0502011899 | MOBILE COVER            | 01 |



| Item | Code       | Description            | QT |
|------|------------|------------------------|----|
| 001  | 0521067686 | ADAPTER ASSY           | 01 |
| 002  | 0581014051 | 1/2" NIPPLE            | 01 |
| 003  | 0503016854 | VALVE ASSY             | 01 |
| 004  | 0503010045 | 2-116 N 3006-9B O'RING | 01 |
| 005  | 0503030385 | PLUG                   | 01 |



| Item | Code       | Description                         | QT |
|------|------------|-------------------------------------|----|
| 01   | 0503011627 | QUICK CONNECTION (MALE) AGR 1/2 NPT | 01 |
| 02   | 0503011882 | QUICK CONNECTION COVER              | 01 |



| Item | Code       | Description            | QT |
|------|------------|------------------------|----|
| 01   | 0503011883 | QUICK CONNECTION COVER | 01 |
| 02   | 0503011628 | FEMALE QUICK COUPLER   | 01 |







**MARCHESAN IMPLEMENTOS E MÁQUINAS AGRÍCOLAS TATU S.A.**

AV. Marchesan, 1979 - Post office box, 131 - CEP 15994-900 - Matão - SP - Brazil

Phone +55 16.3382-8282

(FAX Parts) + 55 16.3382. 8297 - (Export) + 55 16.3382.1003

e.mail: [tatu@marchesan.com.br](mailto:tatu@marchesan.com.br) [www.marchesan.com.br](http://www.marchesan.com.br)

**Technical Publications: Elaboration**

LUIZ CANDIDO

**Technical Publications: Revision**

ALESSANDRA PATRICIA KAWAHARA CARRILI

*Contact Catálogo:*

*E-mail = [jgaspari@marchesan.com.br](mailto:jgaspari@marchesan.com.br)*

**ORIGINAL PARTS  
TATU**

