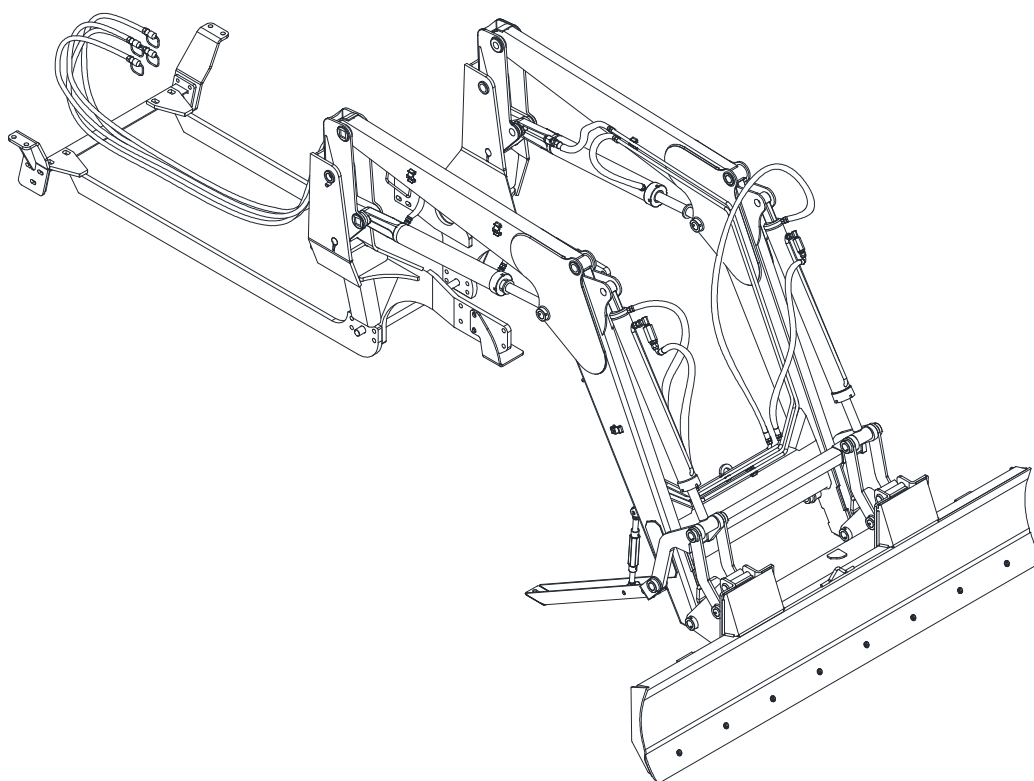


# **PARTS CATALOG**

## **PCA - AGRICULTURAL FRONT LOADER**

**PCA 2000 NH T7. 175/205 BT SC**

**Code: 0501092015**



**Series: S-0716**

**Review: OUTUBRO/2017**

**ORIGINAL PARTS  
TATU**



# PRODUCTS

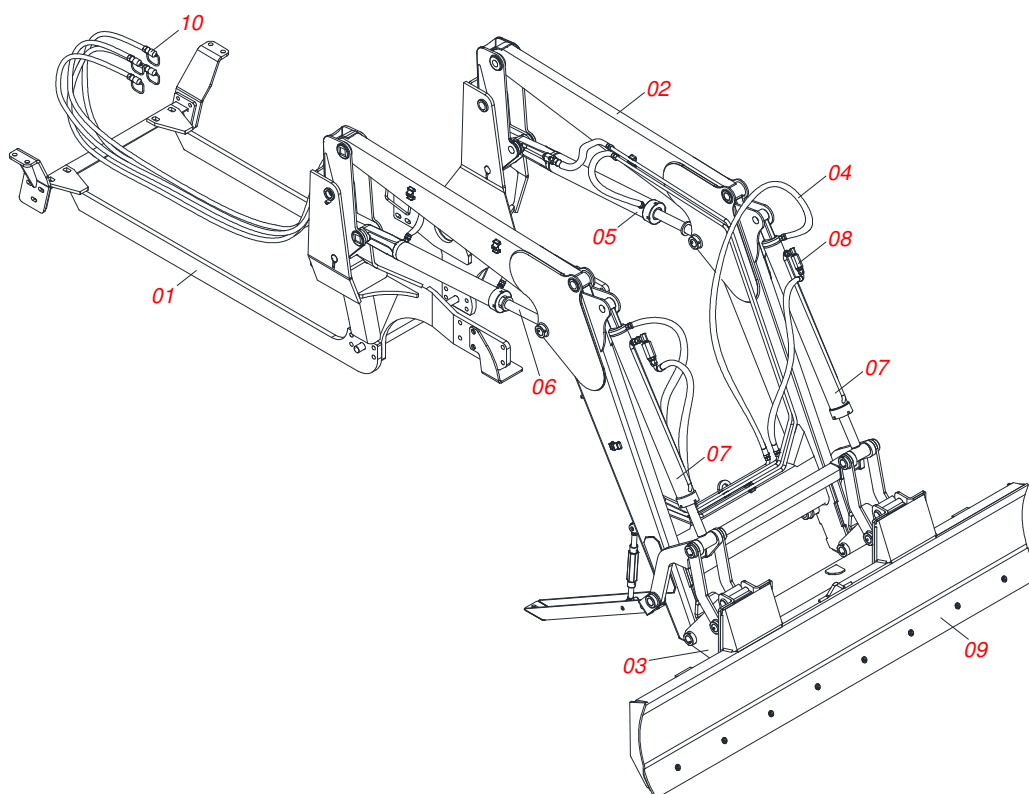
Code	Description
0106111627	PCA 2000 NH T7. 175/205 BT SC

**ATTENTION: *IMPORTANT***

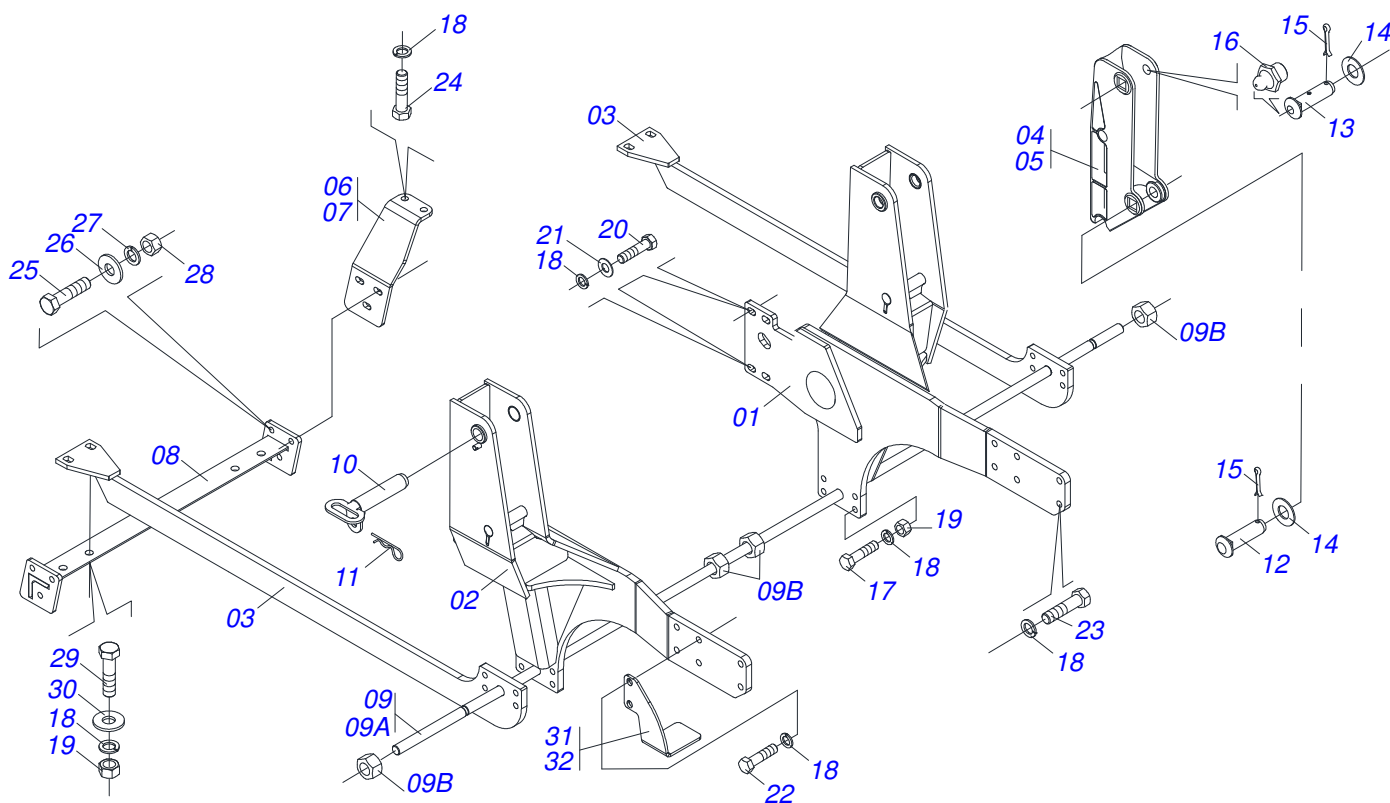
MARCHESAN S/A RESERVES THE RIGHT AT ANY TIME TO MAKE IMPROVEMENTS IN THE DESIGN, MATERIAL OR SPECIFICATIONS OF MACHINERY, EQUIPMENT OR PARTS WITHOUT THEREBY BECOMING LIABLE TO MAKE SIMILAR CHANGES IN MACHINERY, EQUIPMENT OR PARTS PREVIOUSLY SOLD.

# INDEX

0106111627	PCA 2000 NH T7. 175/205 BT SC	.....	1
0909093535	FRAME ASSY PCA	.....	2
0909093536	MOVEL SUPPORT SET PCA	.....	3
0511043359	ARTICULATION ASSY	.....	4
0909093555	HYDRAULIC CIRCUIT SUPPORT MOVEL	.....	5
0511057969	HYDRAULIC CILINDER	.....	6
0511057972	HYDRAULIC CILINDER	.....	7
0511059169	HYDRAULIC CILINDER	.....	8
0511057810	CONJUNTO VÁLVULA DE SEGURIDAD	.....	9
0501053834	QUICK CONECTION (MALE) 1/2	.....	10
0501053835	FEMALE QUICK COUPLER	.....	11
0511048239	LDA 2600 WITHOUT SHOE	.....	12



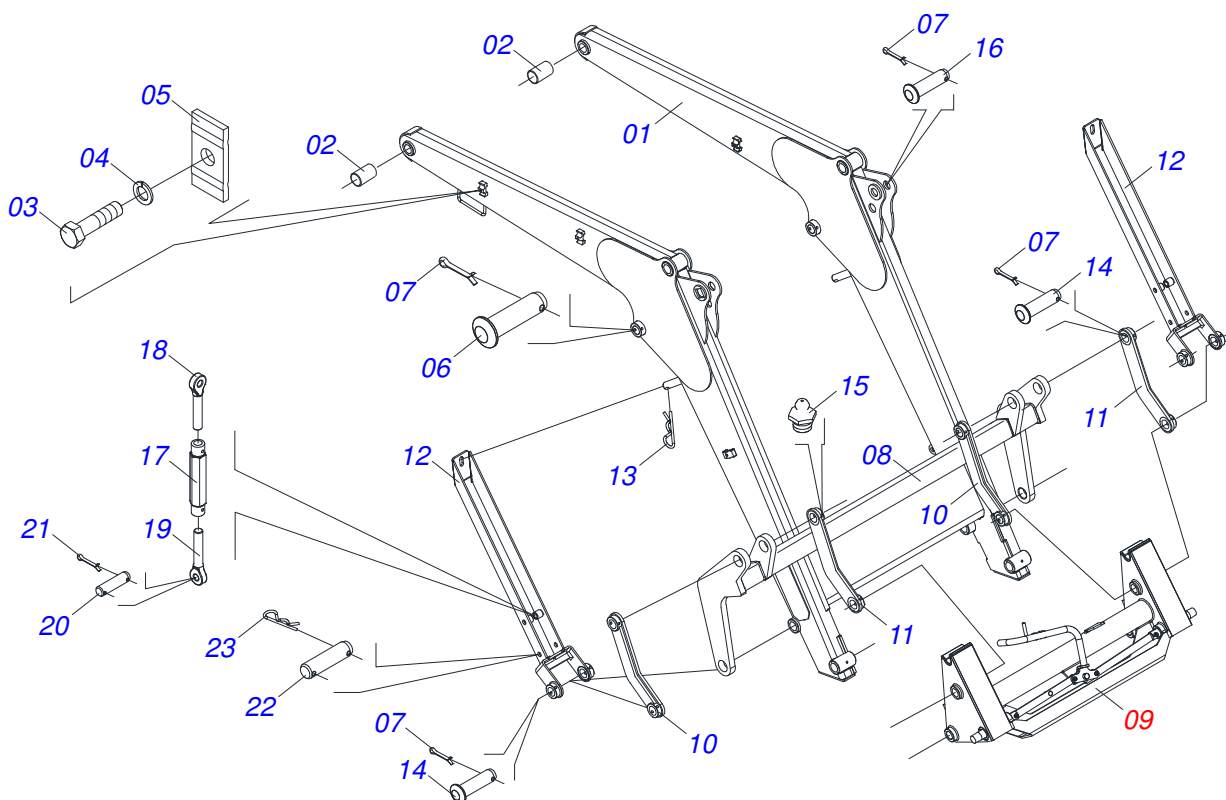
Item	Code	Description	QT
001	0909093535	FRAME ASSY PCA	01
002	0909093536	MOVEL SUPPORT SET PCA	01
003	0511043359	ARTICULATION ASSY	01
004	0909093555	HYDRAULIC CIRCUIT SUPPORT MOVEL	01
005	0511057969	HYDRAULIC CILINDER	01
006	0511057972	HYDRAULIC CILINDER	01
007	0511059169	HYDRAULIC CILINDER	02
008	0511057810	CONJUNTO VÁLVULA DE SEGURIDAD	04
009	0511048239	LDA 2600 WITHOUT SHOE	01
010	0501053835	FEMALE QUICK COUPLER	04



Item	Code	Description	QT
01	0521064985	RIGHT FRAME	01
02	0521064984	LEFT FRAME	01
03	0521064885	CONJUNTO DEL CHASIS	01
04	0502012472	MOBILE TOWER	01
05	0502012473	LEFT MOBILE TOWER	01
06	0521064884	RH SUPPORT	01
07	0521064883	SAPATA ESQ DIFER	01
08	0521064886	FRAME FIXER SUPORT	01
09	0501040954	1.1/4" NC X 760 ROD	01
09A	0501010628	1.1/4" X 760 ROD	01
09B	0501010087	1.1/4" NUT	02
10	0521061681	SUPPORT FIXER AXLE	02
11	0503030012	HAIR PIN	02
12	0521012869	COUPLING SHAFT	02
13	0521012870	1.46" X 6.18" PIVOT SHAFT	02
14	0511019685	FLAT WASHER	04
15	0503010534	3/8 X 2-1/2 COTTERPIN	04
16	0503010002	1800 GREASE FITTING	02
17	0503012334	3/4" UNC X 3.1/2" BOLT	08
18	0503010023	SPRING WASHER	36
19	0503010014	3/4" NUT	12
20	0503013112	M20 X 2,5 X 70 BOLT	08
21	0501010322	FLAT WASHER	08
22	0503013104	M20 X 2,5 X 80 BOLT	04
23	0503013111	M20 X 2,5 X 65 BOLT	08
24	0503011258	M18 X 1,5 X 65 BOLT	04
25	0503010899	5/8" X 2-1/4" BOLT	06
26	0501012140	FLAT WASHER	06
27	0503010027	SPRING WASHER	06
28	0503010013	5/8" NUT	06
29	0501010125	3/4" X 2-1/2" BOLT	04
30	0501010322	FLAT WASHER	04
31	0521064882	RIGHT BEATER	01

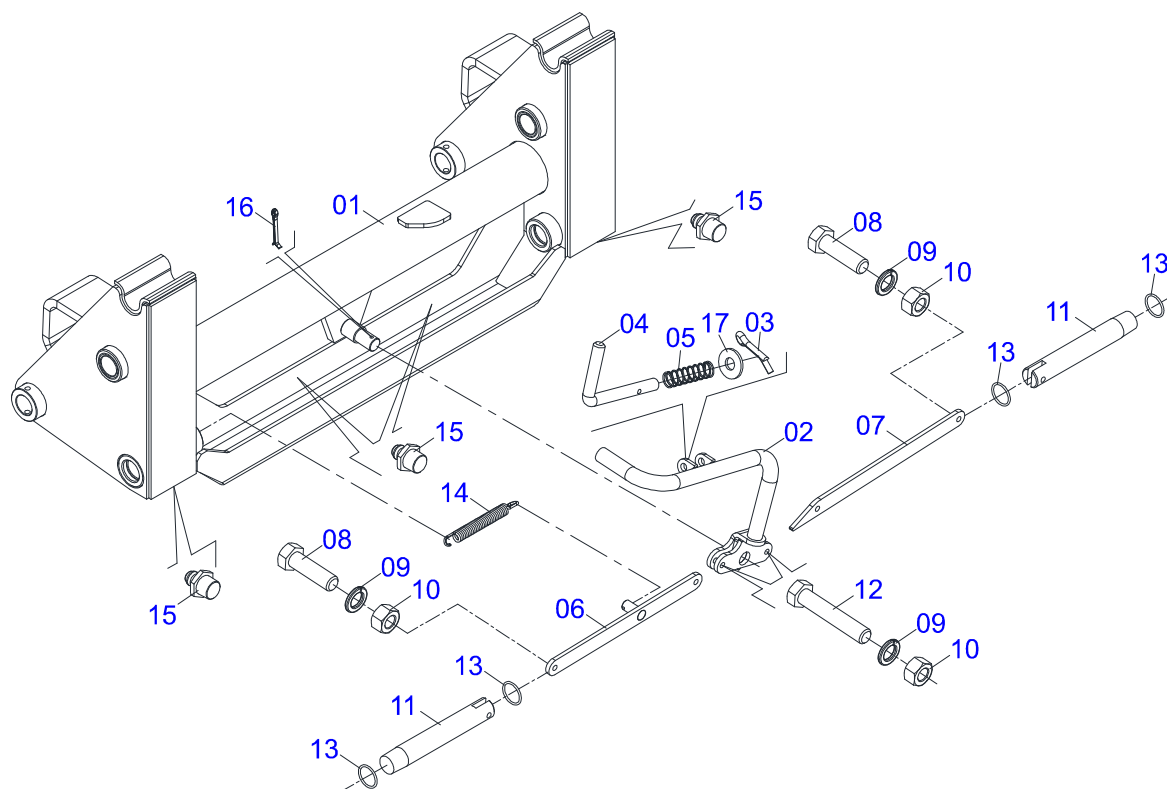


Item	Code	Description	QT
32	0521064881	LEFT BEATER	01



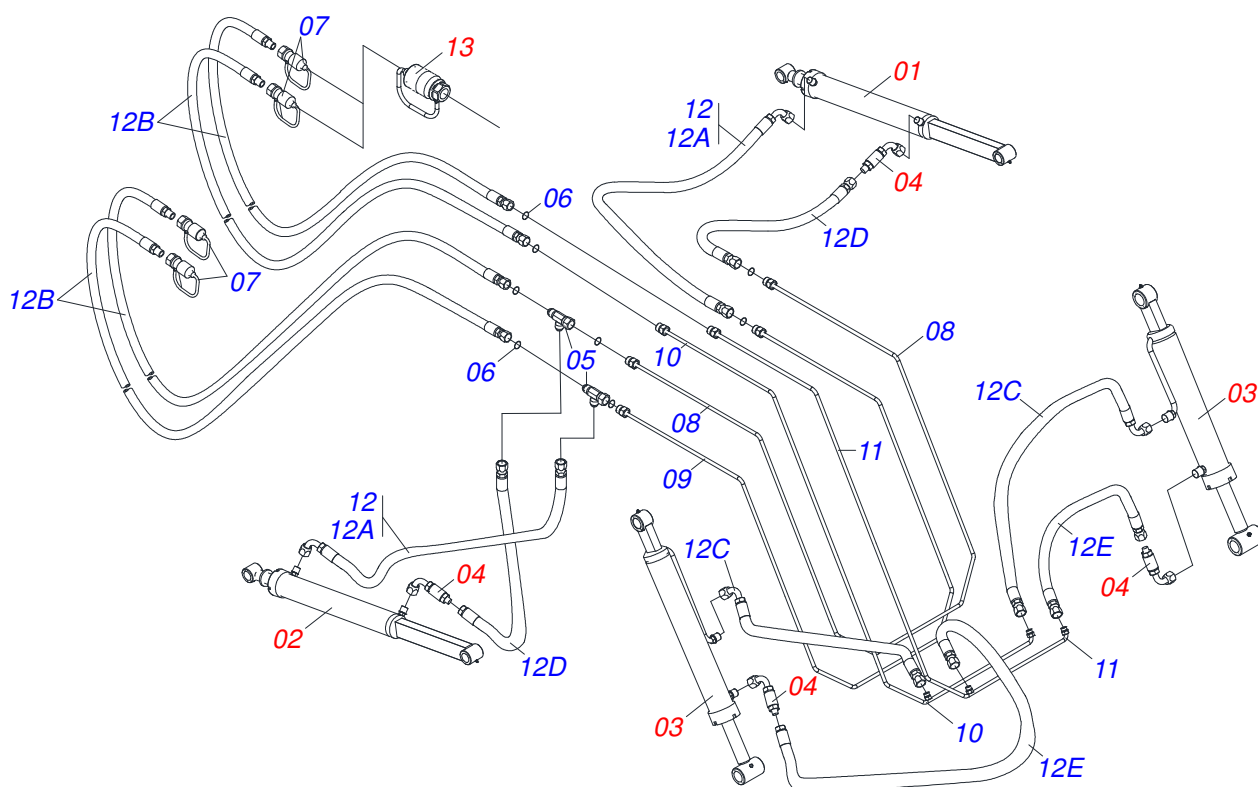
Item	Code	Description	QT
01	0521067353	MOBILE SUPPORT	01
02	0541014740	SLEEVE	08
03	0503011338	7/16" X 1" BOLT	02
04	0503010180	7/16" SPRING WASHER	02
05	0531011180	UPPER BODY CLIP	10
06	0561015035	COUPLING SHAFT	02
07	0503010073	3/8 X 3-1/2 COTTERPIN	10
08	0511066079	LARGER COPY	01
09	0511043359	ARTICULATION ASSY	01
10	0511066123	SMALLER COPY	02
11	0511066120	LEFT SMALLER COPY	02
12	0521061020	PLOUGH SUPPORT ASSY	02
13	0503030012	HAIR PIN	02
14	0561011939	JUNCTION AXLE	06
15	0503010002	1800 GREASE FITTING	04
16	0541014981	1.5" X 6.3" COUPLING SHAFT	02
17	0502012530	REGULATOR NUT BODY R1 PCA	02
18	0502012562	LEFT SPINDLE R1 X 160 PCA	02
19	0502012529	RIGHT SPINDLE R1 X 160	02
20	0561015578	3/4 X 56 PCA VTR A750 COUPLING SHAFT	02
21	0503010300	5/32" X 1" COTTERPIN	04
22	0521012777	COUPLING SHAFT	02
23	0503030012	HAIR PIN	04

ARTICULATION ASSY

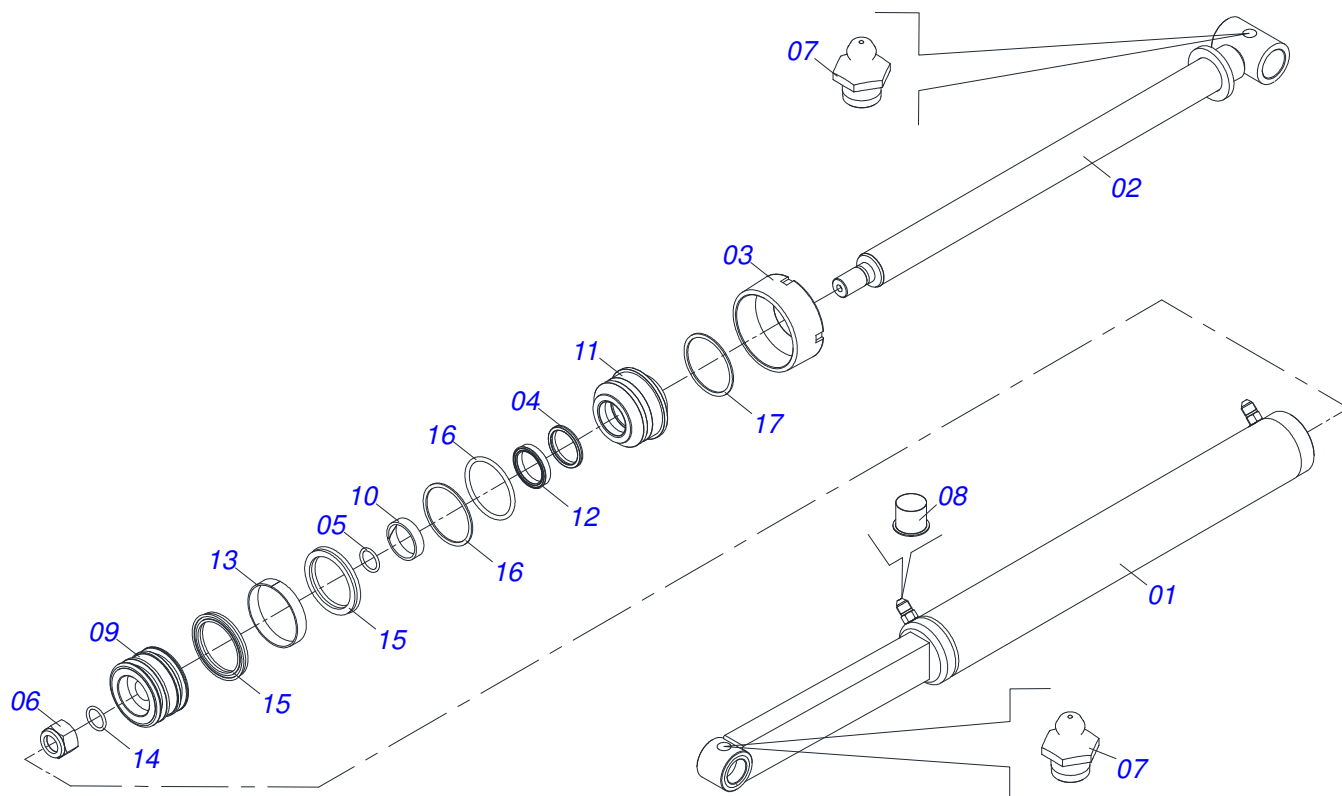


Item	Code	Description	QT
01	0511066088	ARTICULATION	01
02	0521060524	DISARM LEVER	01
03	0503010071	3/16" X 1" COTTERPIN	01
04	0541014962	DISASSEMBLE TRIGGER	01
05	0503032132	COMPRESSION SPRING	01
06	0511066181	ARM DISARM	01
07	0541014964	BODY LEFT ARM DISARM	01
08	0503010849	3/8" X 1-1/2" BOLT	02
09	0503010025	3/8 SPRING WASHER	04
10	0503010026	3/8" NUT	04
11	0541014963	LOCK PIN PCA-T 1750	02
12	0501010096	3/8" X 2" BOLT	02
13	0503010285	2-222 N 3006-9B O'RING	04
14	0503031574	6.9" X 0.8" X 0.1" EXTENSION SPRING	01
15	0503010002	1800 GREASE FITTING	04
16	0503010571	1/4" X 1.1/2 COTTERPIN	01
17	0511017302	FLAT WASHER	01

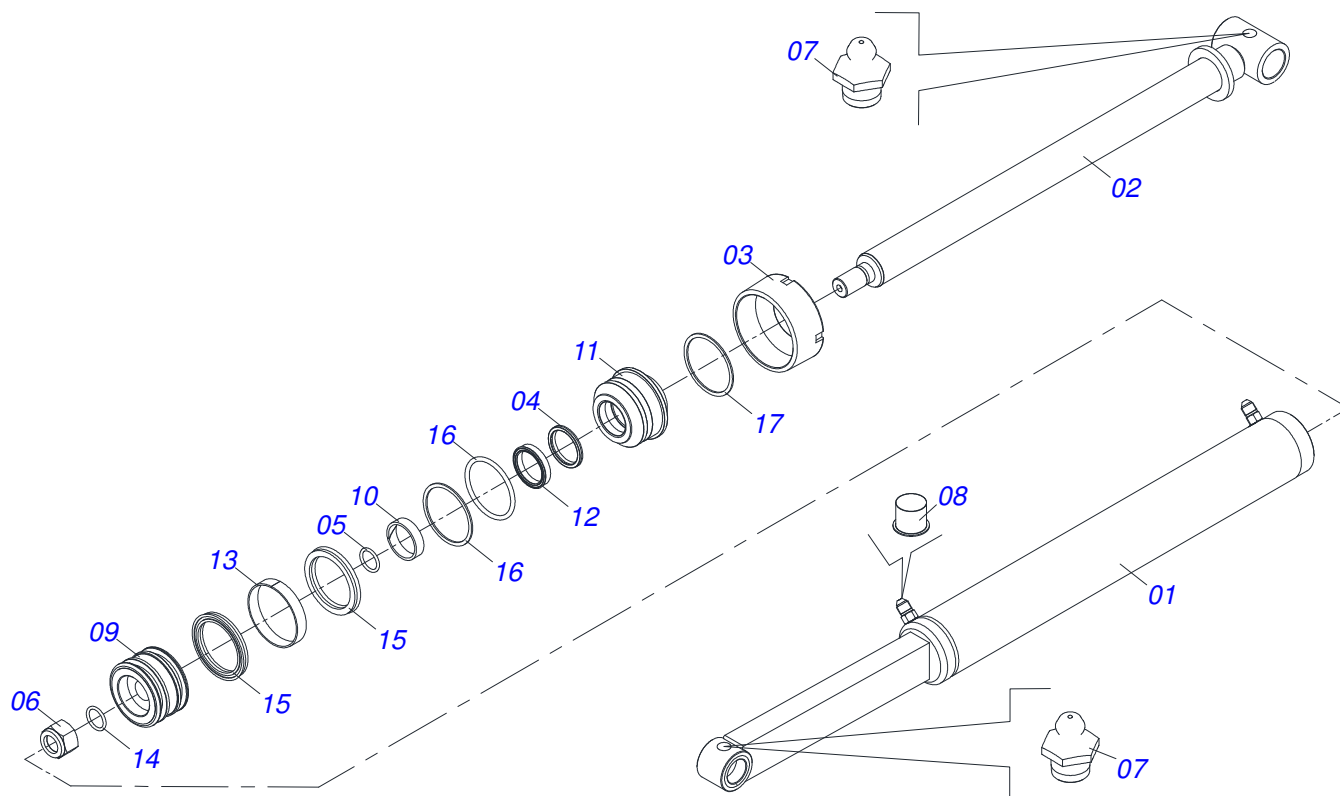




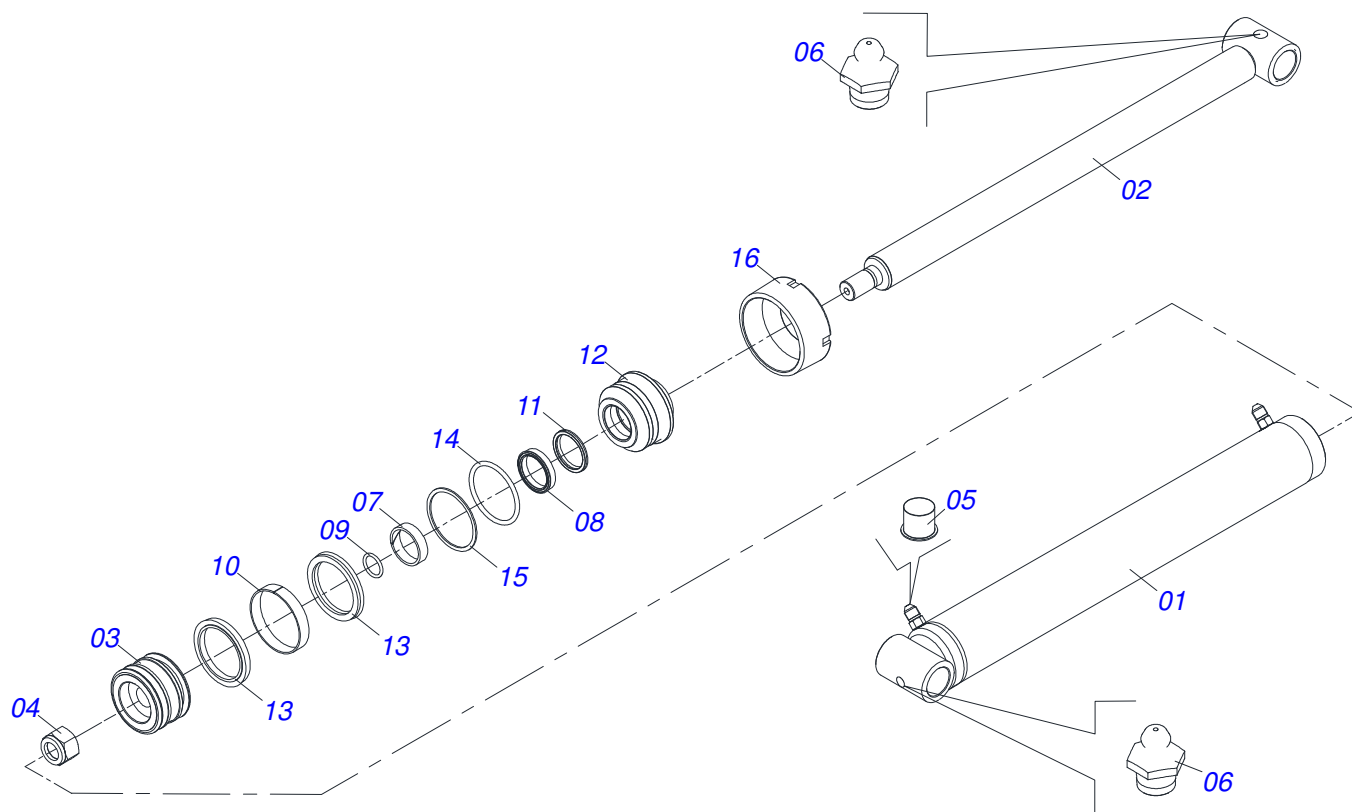
Item	Code	Description	QT
01	0511057969	HYDRAULIC CILINDER	01
02	0511057972	HYDRAULIC CILINDER	01
03	0511059169	HYDRAULIC CILINDER	02
04	0511057810	CONJUNTO VÁLVULA DE SEGURIDAD	02
05	0503030964	T CONNECTOR	02
06	0503011030	2-014 N 3006-9B O'RING	22
07	0501053834	QUICK CONECTION (MALE) 1/2	04
08	0521067358	PUMP PRESSURE TUBE	01
09	0521067356	DUCTO RETENES OLEO	01
10	0521067355	PUMP PRESSURE TUBE	01
11	0521067354	DUCT SEAL OIL	01
12	0511057097	HOSE KIT MOBILE SUPPORT FULL	01
12A	0501080970	1/2" X 23.6" TR-TC OFS HOSE	02
12B	0501081931	HOSE 1/2 X	04
12C	0501080969	1/2" X 750 TR-TC OFS HOSE	02
12D	0501081584	HOSE 1/2 X	02
12E	0501081084	HOSE	02
13	0501053835	FEMALE QUICK COUPLER	02



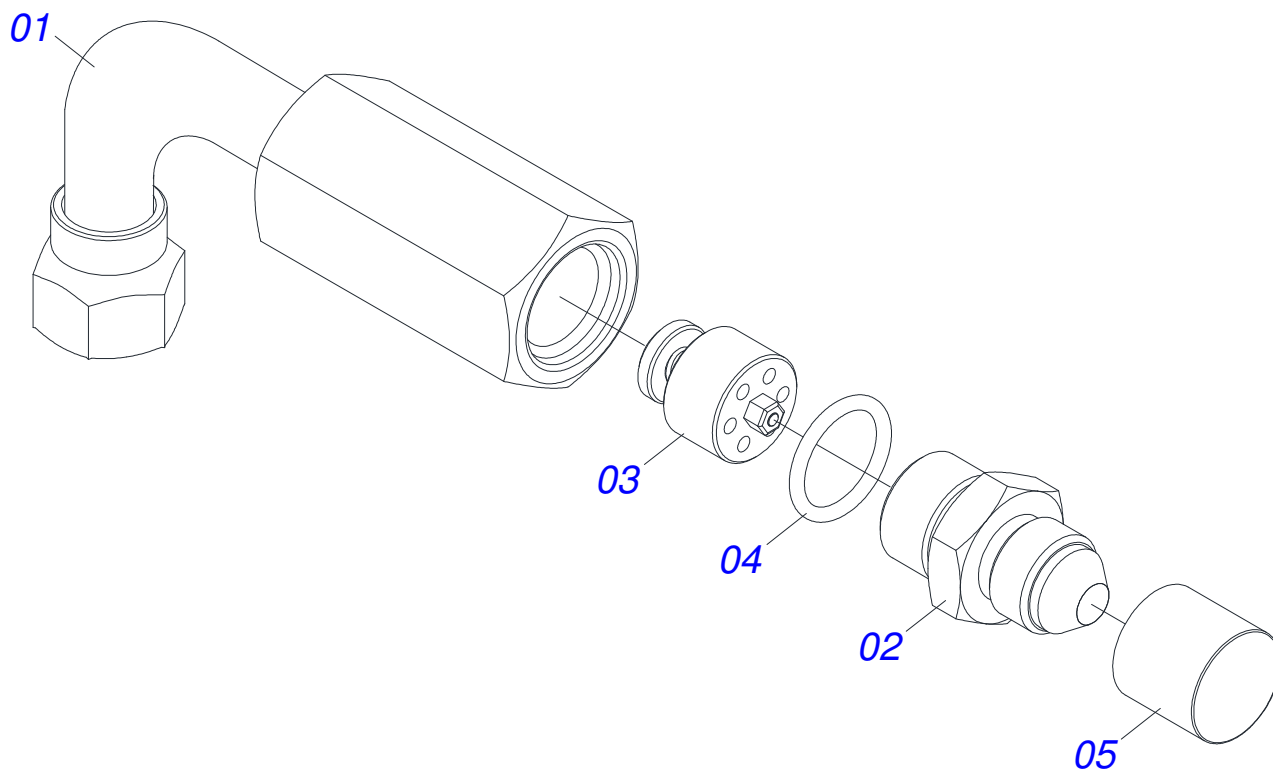
Item	Code	Description	QT
001	0521064994	RH CYLINDER CASE	01
002	0521066414	44,45 X TURNBUCKLE	01
003	0571019709	DETACHABLE COVER	01
004	0503010761	D-1750 SCRAPER RING	01
005	0503010042	2-214 N 3006-9B O'RING	01
006	0503010063	1" SELF-ALIGNING NUT	01
007	0503010002	1800 GREASE FITTING	02
008	0503030387	PLUG	02
009	0571019710	1.7" X 3.4" PISTON	01
010	0503017935	RING	01
011	0571019711	RING SUPPORT	01
012	0503017937	GASKET	01
013	0503017936	RING	01
014	0503017938	RING GUIDE	01
015	0503017940	8-337 BACK-UP RING	02
016	0503017939	2-337 N 3006-9B O' RING	02
017	0503018144	RING	01



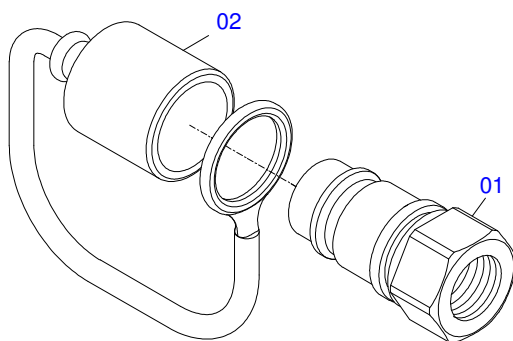
Item	Code	Description	QT
001	0521064995	LH CYLINDER CASE	01
002	0521066414	44,45 X TURNBUCKLE	01
003	0571019709	DETACHABLE COVER	01
004	0503010761	D-1750 SCRAPER RING	01
005	0503010042	2-214 N 3006-9B O'RING	01
006	0503010063	1" SELF-ALIGNING NUT	01
007	0503010002	1800 GREASE FITTING	02
008	0503030387	PLUG	02
009	0571019710	1.7" X 3.4" PISTON	01
010	0503017935	RING	01
011	0571019711	RING SUPPORT	01
012	0503017937	GASKET	01
013	0503017936	RING	01
014	0503017938	RING GUIDE	01
015	0503017940	8-337 BACK-UP RING	02
016	0503017939	2-337 N 3006-9B O' RING	02
017	0503018144	RING	01



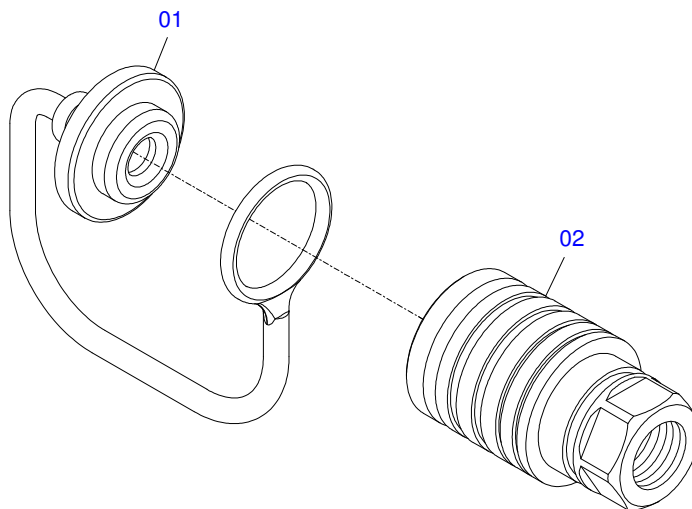
Item	Code	Description	QT
001	0521066382	CYLINDER CASE OUTLET	01
002	0521066402	44,45 X TURNBUCKLE	01
003	0502012264	RING SUPPORT 1.75" X 3"	01
004	0503010063	1" SELF-ALIGNING NUT	01
005	0503030387	PLUG	02
006	0503010002	1800 GREASE FITTING	02
007	0503010949	W2-2000-500 PK RING G.E	01
008	0503011059	8-334 BACK-UP RING	01
009	0503010343	2-334 N 3006-9B O'RING	01
010	0503010761	D-1750 SCRAPER RING	01
011	0503010042	2-214 N 3006-9B O'RING	01
012	0581010304	PISTON	01
013	0503018138	RING BS	02
014	0503018140	RING GUIDE	01
015	0503017937	GASKET	01
016	0502011899	MOBILE COVER	01



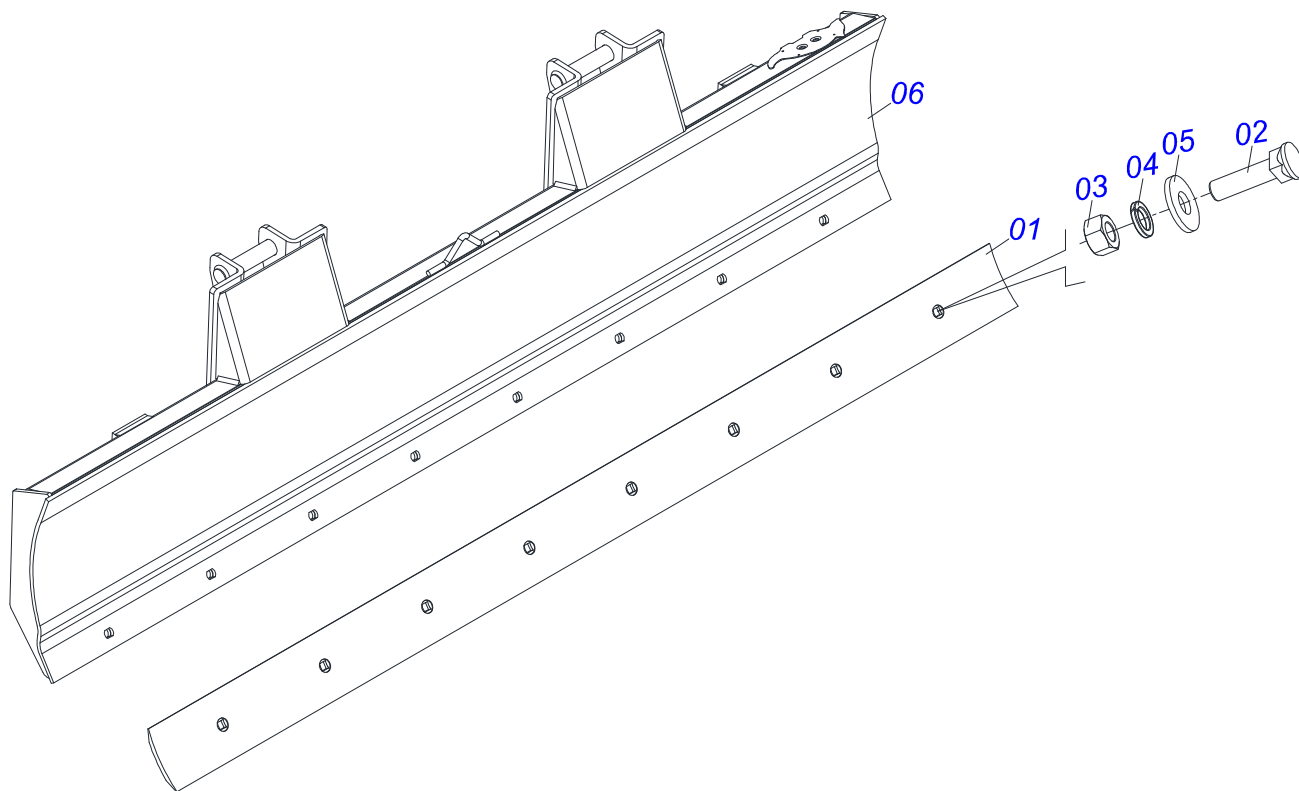
Item	Code	Description	QT
001	0521067686	ADAPTER ASSY	01
002	0581014051	1/2" NIPPLE	01
003	0503016854	VALVE ASSY	01
004	0503010045	2-116 N 3006-9B O'RING	01
005	0503030385	PLUG	01



Item	Code	Description	QT
01	0503011627	QUICK CONNECTION (MALE) AGR 1/2 NPT	01
02	0503011882	QUICK CONNECTION COVER	01



Item	Code	Description	QT
01	0503011883	QUICK CONNECTION COVER	01
02	0503011628	FEMALE QUICK COUPLER	01



Item	Code	Description	QT
001	0622360011	2600 SCRAPER REVERSIBLE	01
002	0501012240	5/8" X 2-1/2" BOLT	08
003	0503010013	5/8" NUT	08
004	0503011445	SPRING WASHER	08
005	0501012140	FLAT WASHER	08
006	0521061289	2400MM DOZER BLADE	01







**MARCHESAN IMPLEMENTOS E MÁQUINAS AGRÍCOLAS TATU S.A.**

AV. Marchesan, 1979 - Post office box, 131 - CEP 15994-900 - Matão - SP - Brazil

Phone +55 16.3382-8282

(FAX Parts) + 55 16.3382. 8297 - (Export) + 55 16.3382.1003

e.mail: [tatu@marchesan.com.br](mailto:tatu@marchesan.com.br) [www.marchesan.com.br](http://www.marchesan.com.br)

**Technical Publications: Elaboration**

LUIZ CANDIDO

**Technical Publications: Revision**

ALESSANDRA PATRICIA KAWAHARA CARRILI

*Contact Catálogo:*

*E-mail = [jgaspari@marchesan.com.br](mailto:jgaspari@marchesan.com.br)*

**ORIGINAL PARTS  
TATU**

