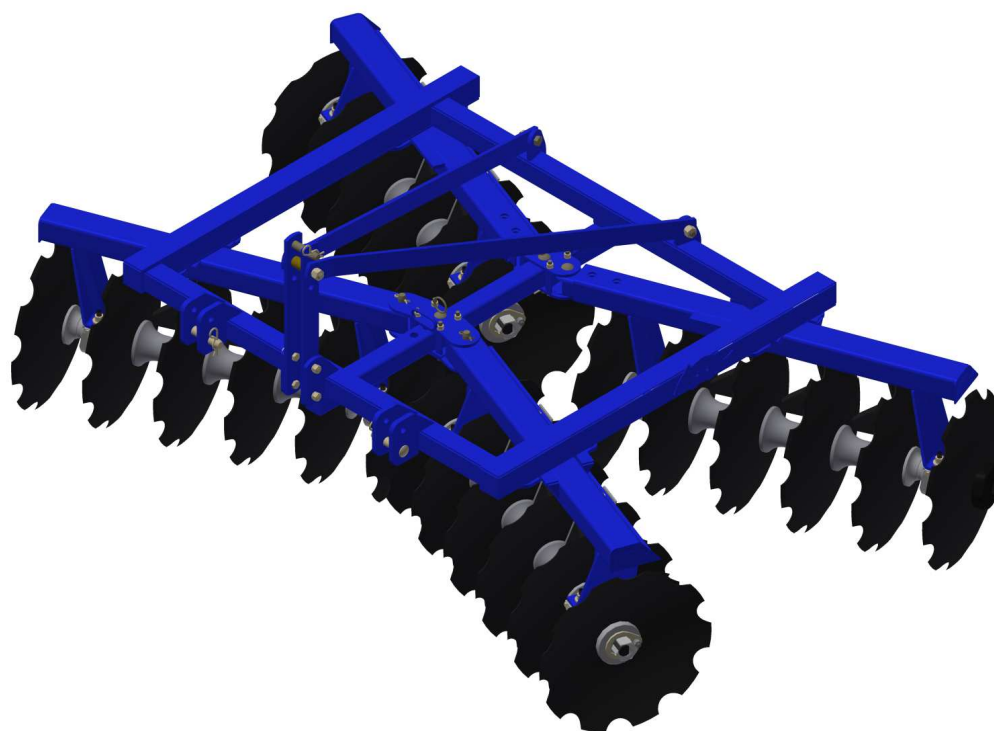


# ***PARTS CATALOG***

## **DOUBLE OFFSET DISK HARROW**

**GH2 20/24/28/32D**

**Code: 0501092013**



**Series: S-0605**

**Rev.: 00**

**Date Rev.: JUNHO/2018**

**ORIGINAL PARTS  
TATU**



# PRODUCTS

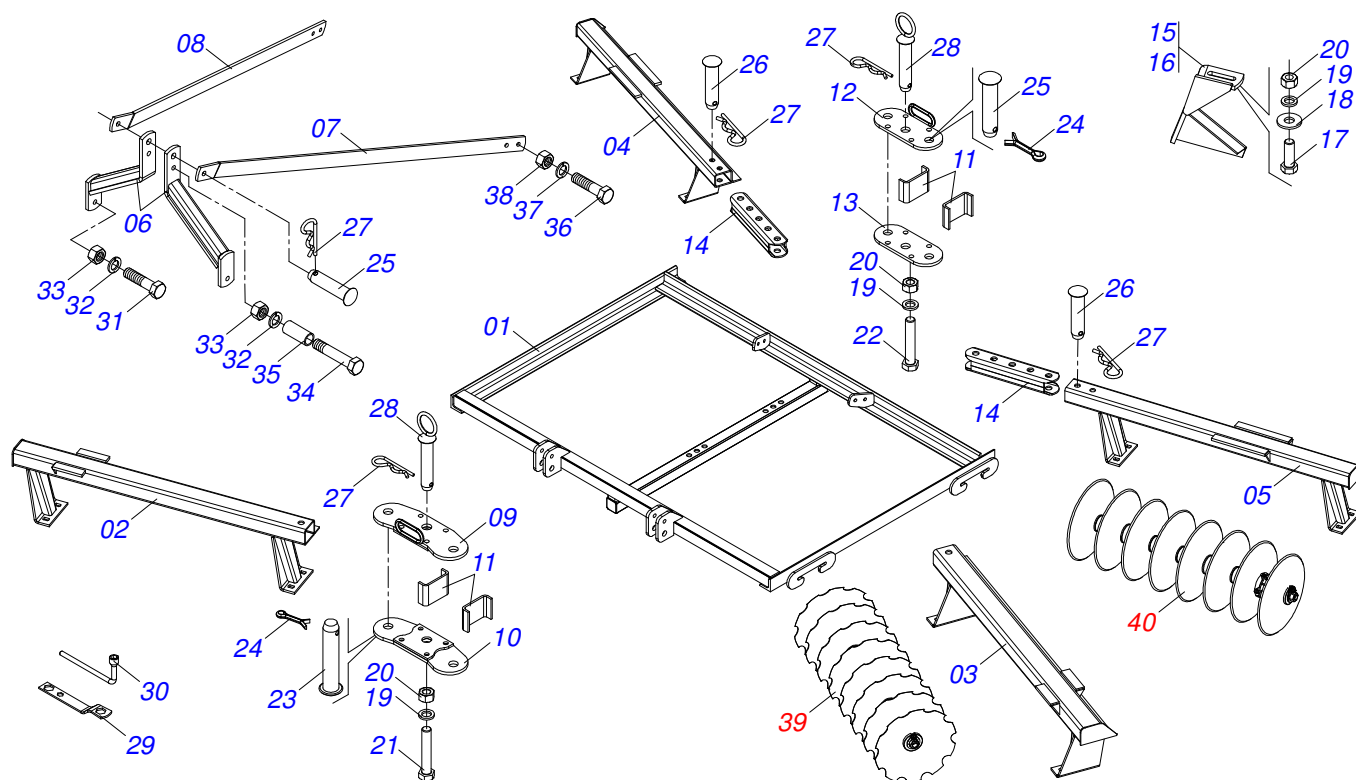
Code	Description
0102190182	GH2 20 X 20 X 3,50 MA MT S-605
0102190152	GH2 20 X 22 X 4,00 CM DR ESP9 S-605
0102190156	GH2 24 X 18 X 3,00 CM MT S-0605
0102190037	GH2 24 X 18 X 3,00 MA MT S-0605
0102190181	GH2 24 X 20 X 3,50 CM MT S-0605
0102190180	GH2 24 X 20 X 3,50 MA DR S-0605
0102190034	GH2 24 X 20 X 3,50 MA MT S-0605
0102190041	GH2 24 X 22 X 4,00 CM DR S-0605
0102190153	GH2 24 X 22 X 4,00 CM DR ESP9 S-605
0102190154	GH2 24 X 22 X 4,50 MA MT S-0605
0102190177	GH2 28 X 18 X 3,00 MA DL S-0605
0102190038	GH2 28 X 18 X 3,00 MA MT S-0605
0102190040	GH2 28 X 20 X 3,50 MA DR S-0605
0102190035	GH2 28 X 20 X 3,50 MA MT S-0605
0102190205	GH2 28 X 20 X 3,50 X DM MT S-0605
0102190042	GH2 28 X 22 X 4,00 CM DR S-0605
0102190208	GH2 28 X 22 X 4,00 CM MT S-0605
0102190039	GH2 32 X 18 X 3,00 MA MT S-0605
0102190244	GH2 32 X 20 X 3,50 MA DR S-0605
0102190036	GH2 32 X 20 X 3,50 MA MT S-0605
0102190047	GH2 32 X 22 X 4,00 CM DR S-0605
0102190188	GH2 32 X 22 X 4,50 DM DR S-0605

## ATTENTION: **IMPORTANT**

MARCHESAN S/A RESERVES THE RIGHT AT ANY TIME TO MAKE IMPROVEMENTS IN THE DESIGN, MATERIAL OR SPECIFICATIONS OF MACHINERY, EQUIPMENT OR PARTS WITHOUT THEREBY BECOMING LIABLE TO MAKE SIMILAR CHANGES IN MACHINERY, EQUIPMENT OR PARTS PREVIOUSLY SOLD.

# INDEX

0909093554	FRAME ASSY	.....	1
0909093560	SECTION FRONT SIDE RIGHT AND LEFT	.....	2
0909093561	SECTION REAR SIDE RIGHT AND LEFT	.....	3
0501040132	FRICTION BEARING ASSY	.....	4
0501046912	CM GX 7" Q 1 PR BEARING ASSY	.....	5
0501046921	7.5" Q1" OIL BATH BEARING	.....	6
0501044317	CM GX 225 1.1/2" PR BEARING ASSY	.....	7



Item	Code	Description	20	24	28	32
01	0511066922	FRAME	01	01	00	00
01...	0511066992	FRAME	00	00	01	01
02	0511067050	RIGHT FRONT FRAME GH-2 20	01	00	00	00
02.	0511066923	RIGHT FRONT FRAME	00	01	00	00
02..	0511066925	FRONT FRAME RIGHT	00	00	01	00
02...	0511067021	FRONT FRAME RIGHT	00	00	00	01
03	0511067051	LEFT FRONT FRAME GH-2 20	01	00	00	00
03.	0511066947	LEFT FRONT FRAME GH-2 24	00	01	00	00
03..	0511066949	LEFT FRONT FRAME	00	00	01	00
03...	0511067022	LEFT FRONT FRAME	00	00	00	01
04	0511067052	RIGHT REAR FRAME GH-2 20	01	00	00	00
04.	0511066924	RIGHT REAR FRAME GH-2 24	00	01	00	00
04..	0511066926	RIGHT REAR FRAME	00	00	01	00
04...	0511067023	RIGHT REAR FRAME	00	00	00	01
05	0511067053	LEFT REAR FRAME GH-2 20	01	00	00	00
05.	0511066948	LEFT REAR FRAME GH-2 24	00	01	00	00
05..	0511066950	LEFT REAR FRAME	00	00	01	00
05...	0511067024	LEFT REAR FRAME	00	00	00	01
06	0501066378	SEMI CAB	02	02	02	02
07.	0561017323	FRENCH RIGHT HAND	01	01	00	00
07.	0561017325	RIGHT HAND	00	00	01	01
08.	0561017324	LEFT FRENCH HAND	01	01	00	00
08.	0561017326	LEFT FRENCH HAND	00	00	01	01
09	0511067096	FRONT TOP REGULATOR	01	01	01	01
10	0511067095	FRONT LOWER REGULATOR	01	01	01	01
11	0541018541	REGULATOR GUIDES	04	04	04	04
12	0511066991	REAR ADJUSTMENT BASE	01	01	01	01
13	0541018540	REGULATORY BODY REAR BASE	01	01	01	01
14	0511066990	ADJUSTMENT TUBE	02	02	02	02
15	0511066927	LH FRONT/RH REAR SCRAPER	04	06	08	10
16	0511066928	RH FRONT/LH REAR SCRAPER	04	06	08	10
17	0503010920	1/2" X 1.1/2" BOLT	08	12	16	20
18	0511017302	FLAT WASHER	08	12	16	20

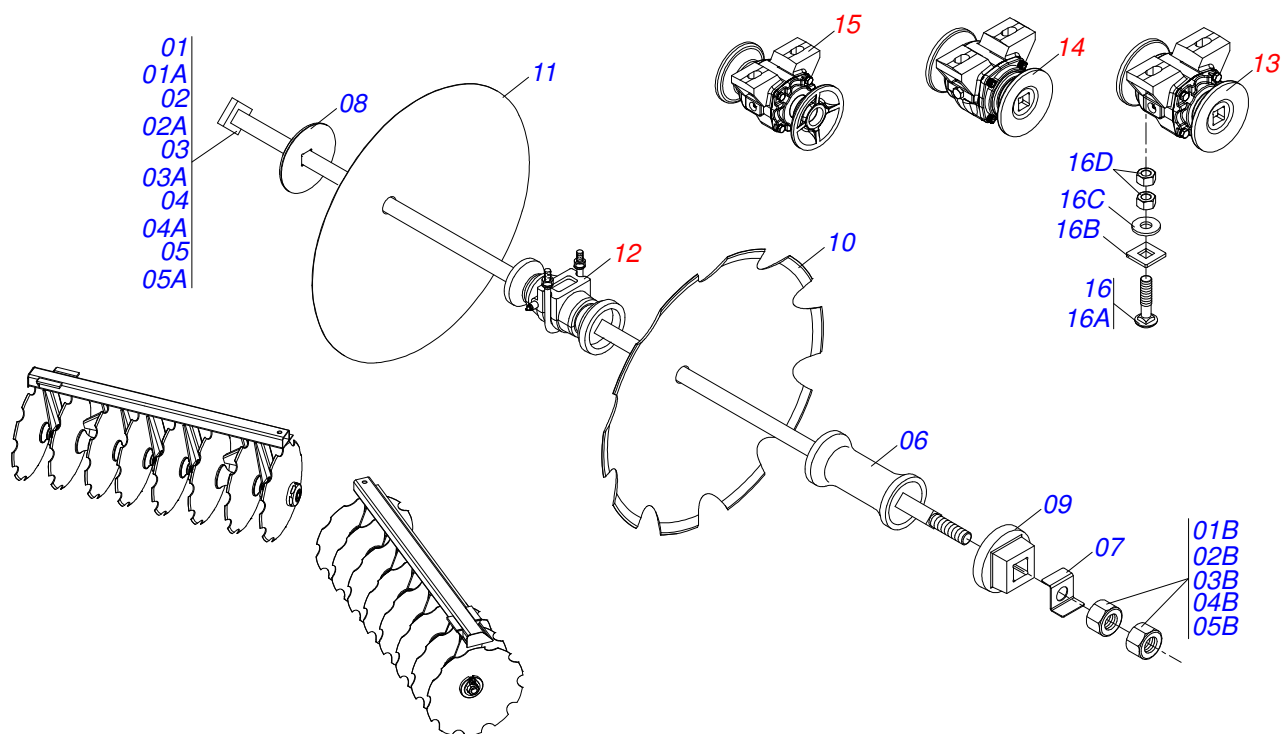


## FRAME ASSY

0909093554

Item	Code	Description	20	24	28	32
19	0503010019	1/2" SPRING WASHER	16	20	24	28
20	0503010060	1/2" NUT	16	20	24	28
21	0503010384	1/2" X 5" BOLT	04	04	04	04
22	0503010706	1/2" X 4.1/2" BOLT	04	04	04	04
23	0521010581	0.9" X 4.9" COUPLING SHAFT	02	02	02	02
24	0503010571	1/4" X 1.1/2 COTTERPIN	07	04	04	04
25	0521010578	COUPLING SHAFT	03	03	03	03
26	0521012532	0.9" X 3.9" COUPLING SHAFT	00	00	00	04
27	0503031035	HAIR PIN	09	09	09	09
28	0511067081	LOCK PIN	01	01	01	01
29	0511018451	5/8" X 3/4" X 1" UNIVERSAL	01	01	01	01
29.	0501011432	1-1/2" AND 1-5/8 GANG BOLT WRENCH	01	00	00	00
30	0501068273	5/8" WRENCH	01	01	01	01
31	0501018059	3/4" X 2-1/4" BOLT	02	02	02	02
32	0503010023	SPRING WASHER	03	03	03	03
33	0503010014	3/4" NUT	03	03	03	03
34	0503013185	3/4" X 5-1/2" BOLT	01	01	01	01
34.	0503011198	C3/4" X 6" BOLT	00	00	00	01
35	0521010490	SLEEVE SPACER	01	01	01	01
36	0503011267	5/8" X 1.1/2" BOLT	04	00	00	00
36.	0503010232	5/8" X 1.3/4" BOLT	00	04	04	04
37	0503010027	SPRING WASHER	04	04	04	04
38	0503010013	5/8" NUT	04	04	04	04
39	0909093560	SECTION FRONT SIDE RIGHT AND LEFT	01	01	01	01
40	0909093561	SECTION REAR SIDE RIGHT AND LEFT	01	01	01	01

SECTION FRONT SIDE RIGHT AND LEFT



Item	Code	Description	20	24	28	32
01	0501044108	1" X 35.6" SQUARE AXLE WITH NUTS	02	00	00	00
01A	0511011994	1" X 35.6" SQUARE SHAFT	02	00	00	00
01B	0501010059	1.5/8 NUT	04	00	00	00
02	0511042326	1.1/2 6FPP X 1025 AXLE ASSY	02	00	00	00
02A	0511061239	1.1/2 6FPP X 1025 AXLE ASSY	02	00	00	00
02B	0501010110	1.1/2" NUT	04	00	00	00
03	0501044110	1" X 43.3" SQUARE AXLE WITH NUTS	00	02	00	00
03A	0511011995	1" X 43.3" SQUARE SHAFT	00	02	00	00
03B	0501010059	1.5/8 NUT	00	04	00	00
04	0501044114	1" X 51" SQUARE AXLE WITH NUTS	00	00	02	00
04A	0511011996	1" X 51" SQUARE SHAFT	00	00	02	00
04B	0501010059	1.5/8 NUT	00	00	04	00
05	0501044117	1" X 59" SQUARE AXLE WITH NUTS	00	00	00	02
05A	0511011997	1" X 59" SQUARE SHAFT	00	00	00	02
05B	0501010059	1.5/8 NUT	00	00	00	04
06	0502010621	8.8" 1-1/2" SPACER	04	00	00	00
06.	0502010933	192,5 SPACER	04	06	08	10
07	0501018592	1.5/8" NUT LOCK	02	00	00	00
07.	0501010450	NUT LOCK	02	02	02	02
08	0502010872	1-1/2" INNER AXLE WASHER	02	00	00	00
08.	0502010076	INNER AXLE WASHER FQ	02	02	02	02
09	0502010619	1.1/2 EXTERNAL AXLE WASHER	02	00	00	00
09.	0502010075	EXTERNAL AXLE WASHER	02	02	02	02
10	0602029254	DR22X4 C64AF02FC26,59 10REC TATU	00	12	14	16
10.	0602029424	DR22X4,5 C64AF02FC1.1/16 10REC TATU	00	12	00	16
10..	0602029418	DR22X4 C64AF02FR1.9/16 10R TATU	10	12	00	00
10...	0602027230	DR20X3,5 C57AF02FC1.1/16 10RE JUMIL	10	12	14	08
10....	0602025078	DR18X3 C44AF02FC26,59 9REC L.M.	00	12	14	08
11	0601025166	DL18X3 C45AF02FC1.1/16 JUMIL	00	00	14	00
12	0501040132	FRICTION BEARING ASSY	04	04	04	04
13	0501046912	CM GX 7" Q 1 PR BEARING ASSY	00	04	04	04
14	0501046921	7.5" Q1" OIL BATH BEARING	00	00	04	04
15	0501044317	CM GX 225 1.1/2" PR BEARING ASSY	04	04	00	00

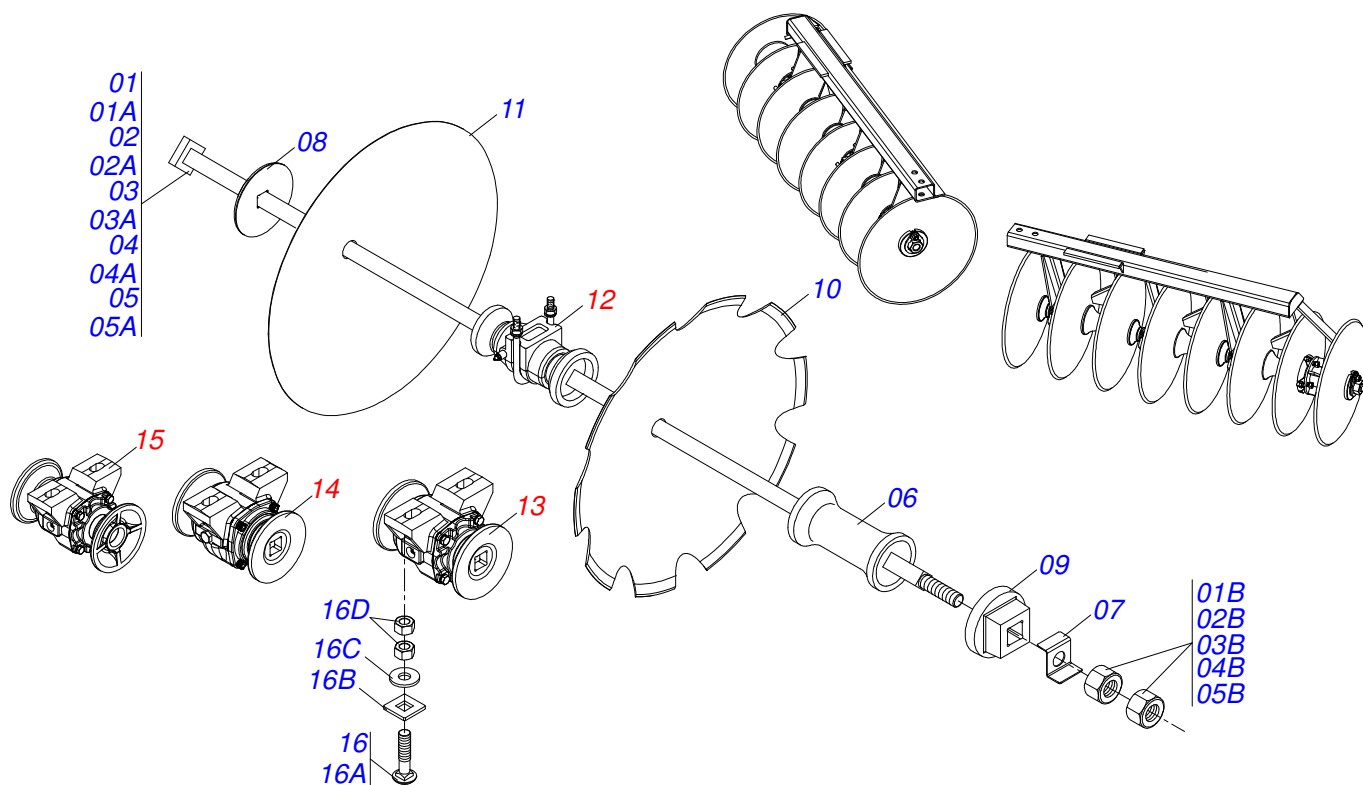


**SECTION FRONT SIDE RIGHT AND LEFT**

0909093560

<b>Item</b>	<b>Code</b>	<b>Description</b>	<b>20</b>	<b>24</b>	<b>28</b>	<b>32</b>
16	0501058802	5/8 UNC X 2.3/4 BOLT ASSY	08	08	08	08
16A	0503015154	5/8" X 2.3/4" BOLT	08	08	08	08
16B	0501010947	5/8 NUT LOCK	08	08	08	08
16C	0501012140	FLAT WASHER	08	08	08	08
16D	0503010013	5/8" NUT	16	16	16	16

SECTION REAR SIDE RIGHT AND LEFT



Item	Code	Description	20	24	28	32
01	0501044108	1" X 35.6" SQUARE AXLE WITH NUTS	02	00	00	00
01A	0511011994	1" X 35.6" SQUARE SHAFT	02	00	00	00
01B	0501010059	1.5/8 NUT	04	00	00	00
02	0511042326	1.1/2 6FPP X 1025 AXLE ASSY	02	00	00	00
02A	0511061239	1.1/2 6FPP X 1025 AXLE ASSY	02	00	00	00
02B	0501010110	1.1/2" NUT	04	00	00	00
03	0501044110	1" X 43.3" SQUARE AXLE WITH NUTS	00	02	00	00
03A	0511011995	1" X 43.3" SQUARE SHAFT	00	02	00	00
03B	0501010059	1.5/8 NUT	00	04	00	00
04	0501044114	1" X 51" SQUARE AXLE WITH NUTS	00	00	02	00
04A	0511011996	1" X 51" SQUARE SHAFT	00	00	02	00
04B	0501010059	1.5/8 NUT	00	00	04	00
05	0501044117	1" X 59" SQUARE AXLE WITH NUTS	00	00	00	02
05A	0511011997	1" X 59" SQUARE SHAFT	00	00	00	02
05B	0501010059	1.5/8 NUT	00	00	00	04
06	0502010621	8.8" 1-1/2" SPACER	04	00	00	00
06.	0502010933	192,5 SPACER	04	06	08	10
07	0501018592	1.5/8" NUT LOCK	02	00	00	00
07.	0501010450	NUT LOCK	02	02	02	02
08	0502010872	1-1/2" INNER AXLE WASHER	02	00	00	00
08.	0502010076	INNER AXLE WASHER FQ	02	02	02	02
09	0502010619	1.1/2 EXTERNAL AXLE WASHER	02	00	00	00
09.	0502010075	EXTERNAL AXLE WASHER	02	02	02	02
10	0602029418	DR22X4 C64AF02FR1.9/16 10R TATU	10	12	00	00
10.	0602029254	DR22X4 C64AF02FC26,59 10REC TATU	00	12	14	16
10..	0602029424	DR22X4,5 C64AF02FC1.1/16 10REC TATU	00	00	00	16
10...	0602027230	DR20X3,5 C57AF02FC1.1/16 10RE JUMIL	00	12	14	16
11	0601029103	DL22X4,5 C63AF02FC26,59 FT	00	12	00	00
11.	0601029393	DL22X4 C64AFPAFC1.1/16 TATU	00	00	14	00
11..	0601027184	DL20X3,5 C57AF02FC1.1/16 9901022 JU	10	12	14	16
11...	0601025166	DL18X3 C45AF02FC1.1/16 JUMIL	00	12	14	16
12	0501040132	FRICTION BEARING ASSY	04	04	04	04
13	0501046912	CM GX 7" Q 1 PR BEARING ASSY	00	04	04	04

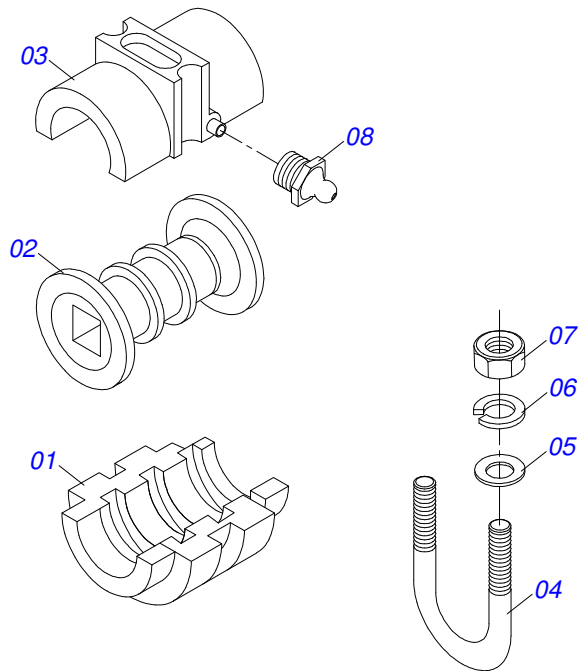




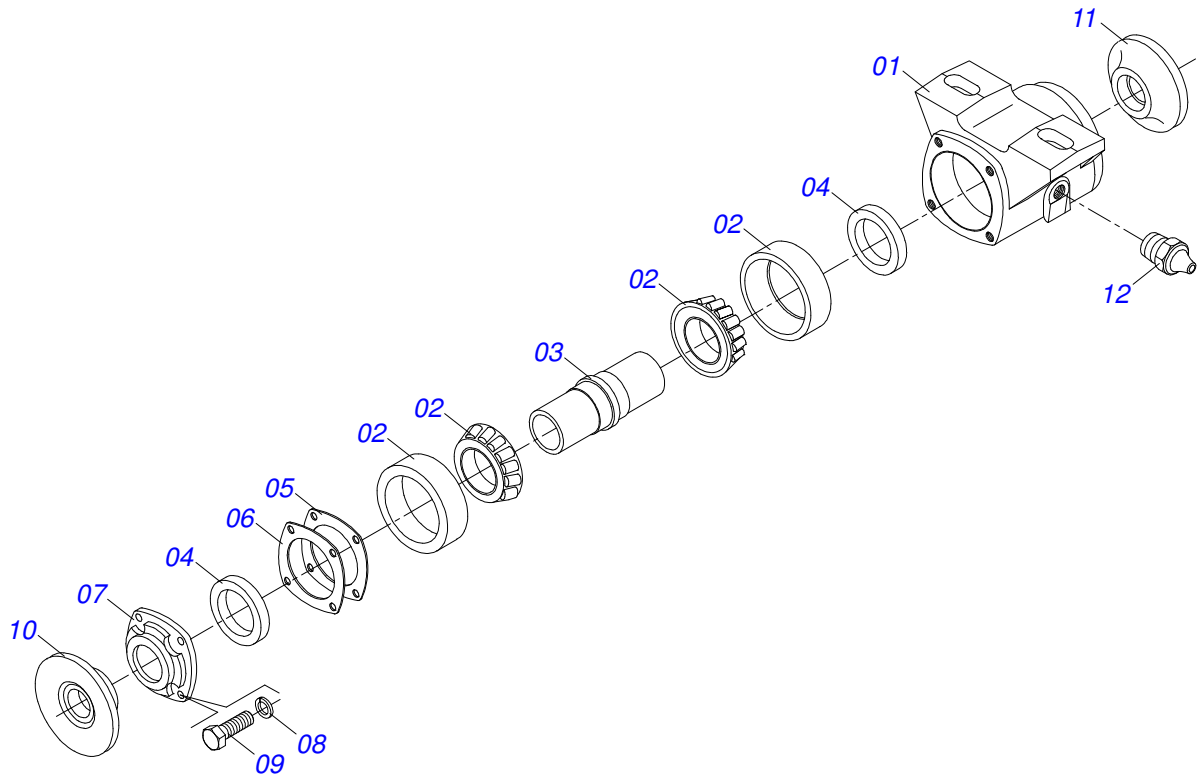
SECTION REAR SIDE RIGHT AND LEFT

0909093561

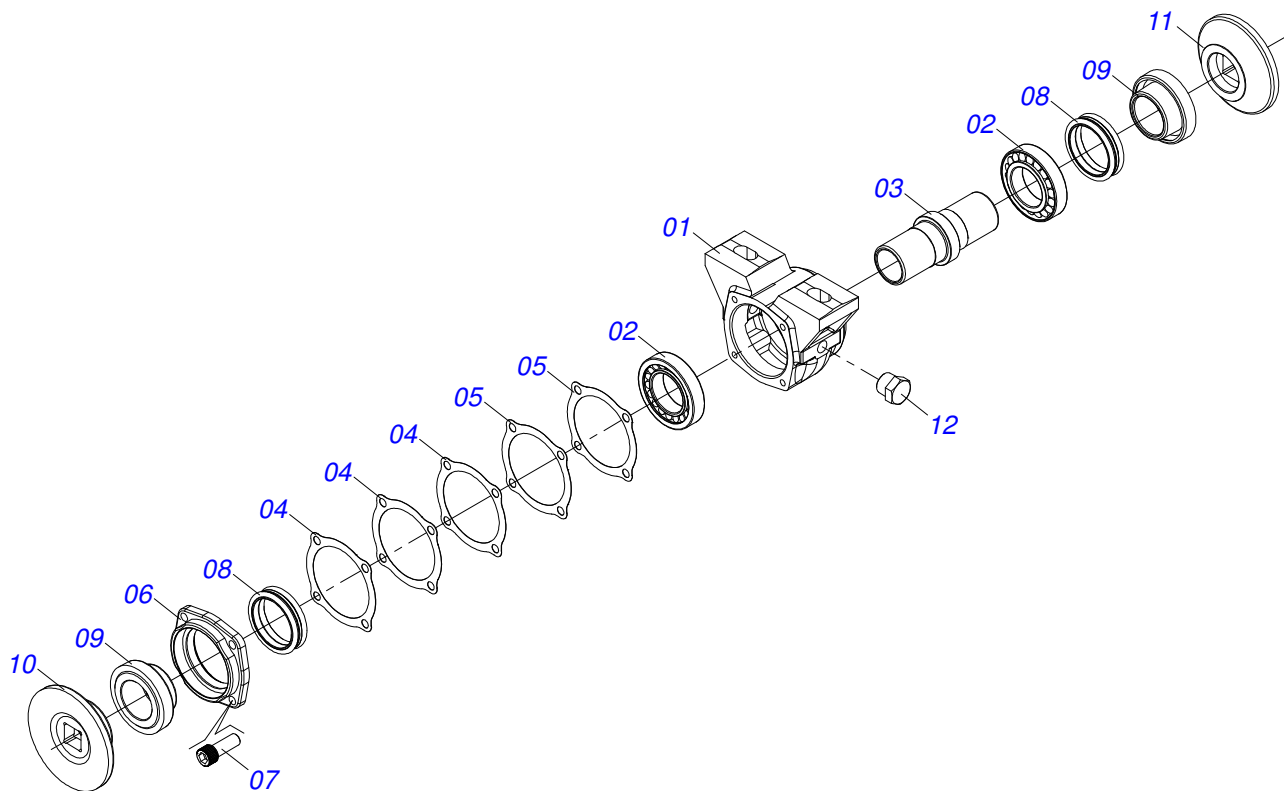
Item	Code	Description	20	24	28	32
14	0501046921	7.5" Q1" OIL BATH BEARING	00	00	04	04
15	0501044317	CM GX 225 1.1/2" PR BEARING ASSY	04	04	00	00
16	0501058802	5/8 UNC X 2.3/4 BOLT ASSY	08	08	08	08
16A	0503015154	5/8" X 2.3/4" BOLT	08	08	08	08
16B	0501010947	5/8 NUT LOCK	08	08	08	08
16C	0501012140	FLAT WASHER	08	08	08	08
16D	0503010013	5/8" NUT	16	16	16	16



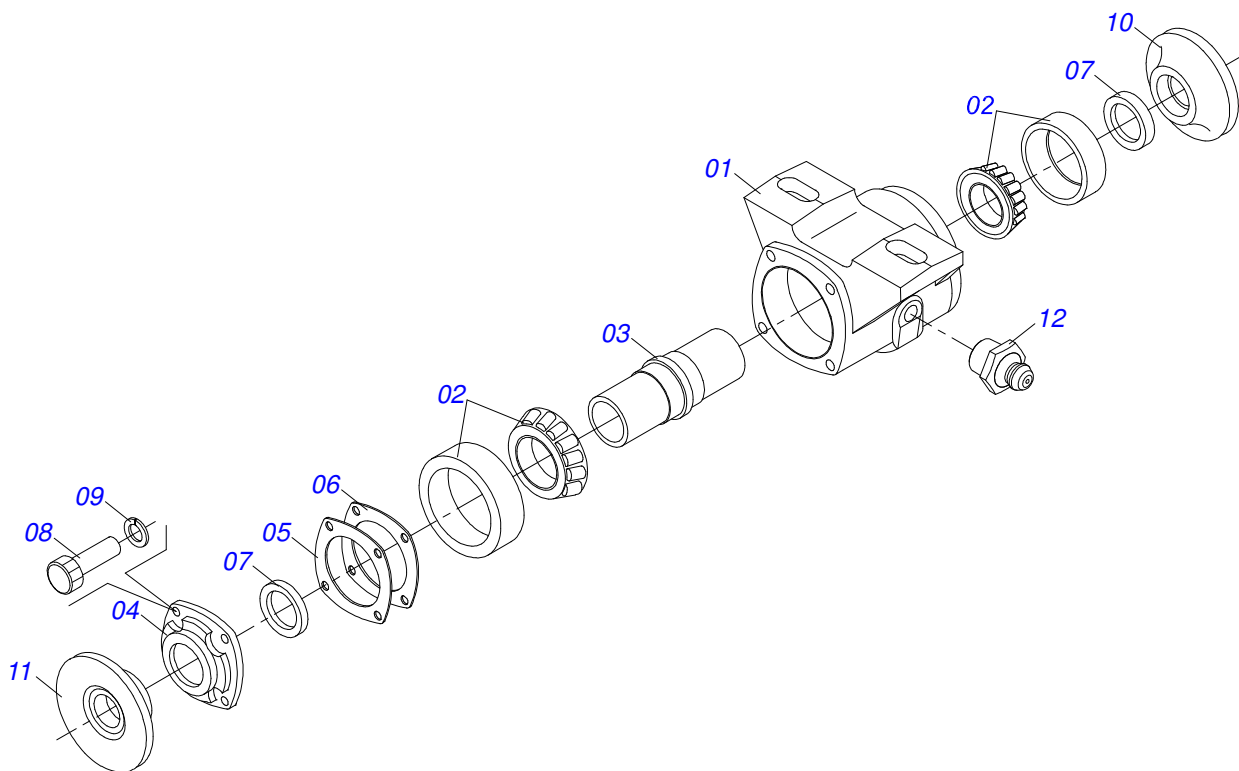
Item	Code	Description	QT
01	0502030006	LOWER COVER HOUSING	01
02	0502030011	REEL	01
03	0502030004	UPPER COVER HOUSING	01
04	0521012326	5/8 UNC X 138 X 117 FASTENER	01
05	0501012140	FLAT WASHER	02
06	0503010027	SPRING WASHER	02
07	0503010013	5/8" NUT	02
08	0503010002	1800 GREASE FITTING	01



Item	Code	Description	QT
01	0502020313	HOUSING CM	01
02	0503010111	30210 ROLLER BEARING	02
03	0502040381	AXLE	01
04	0503010468	SEAL 01199-GB	02
05	0503030013	4.4" X 3.5" X 0.004" JOINT	02
06	0503030684	4.4" X 3.5" X 0.004" JOINT	01
07	0502020273	HOUSING CAP CM	01
08	0503011443	SPRING WASHER	04
09	0503011087	3/8" X 1" BOLT	04
10	0502010297	OUTER FLANGE	01
11	0502010298	INNER FLANGE	01
12	0503010002	1800 GREASE FITTING	01



Item	Code	Description	QT
01	0502010540	HOUSING DM	01
02	0503010111	30210 ROLLER BEARING	02
03	0502040381	AXLE	01
04	0503030013	4.4" X 3.5" X 0.004" JOINT	03
05	0503030684	4.4" X 3.5" X 0.004" JOINT	02
06	0502020424	HOUSING CAP DM	01
07	0503010134	3/8" X 1" BOLT	04
08	0503030026	SEAL LP JB-253	02
09	0502010541	SEAL RETAINER	02
10	0502010297	OUTER FLANGE	01
11	0502010298	INNER FLANGE	01
12	0503010856	OIL PLUG	01



Item	Code	Description	QT
01	0502020313	HOUSING CM	01
02	0503010006	32210 ROLLER BEARING	02
03	0502040611	AXLE	03
04	0502020273	HOUSING CAP CM	01
05	0503030684	4.4" X 3.5" X 0.004" JOINT	01
06	0503030013	4.4" X 3.5" X 0.004" JOINT	01
07	0503010468	SEAL 01199-GB	02
08	0503010237	3/8" X 1" BOLT	04
09	0503011443	SPRING WASHER	04
10	0502010605	INNER FLANGE	01
11	0502010604	OUTER FLANGE	01
12	0503010002	1800 GREASE FITTING	01





**MARCHESAN IMPLEMENTOS E MÁQUINAS AGRÍCOLAS TATU S.A.**

AV. Marchesan, 1979 - Post office box, 131 - CEP 15994-900 - Matão - SP - Brazil

Phone +55 16.3382-8282

(FAX Parts) + 55 16.3382. 8297 - (Export) + 55 16.3382.1003

e.mail: [tatu@marchesan.com.br](mailto:tatu@marchesan.com.br) [www.marchesan.com.br](http://www.marchesan.com.br)

**Technical Publications: Elaboration**

ALESSANDRA PATRICIA KAWAHARA CARRILI

**Technical Publications: Revision**

ALESSANDRA PATRICIA KAWAHARA CARRILI

*Contact Catálogo:*

*E-mail = [jgaspari@marchesan.com.br](mailto:jgaspari@marchesan.com.br)*

**ORIGINAL PARTS  
TATU**

