

HINGE TYPE OFFSET DISK HARROW

GNF/E 104

Code: 0501092007
Series: S-0816
Revision: 00
Date Revision: SETEMBRO/2017

PARTS CATALOGUE



MARCHESAN



PRODUCTS

Code	Description	
0102330340	GNF/E 104 X 22 X 4,5 DM DR PA	S-0816
0102330328	GNF/E 104 X 22 X 4,5 DM MT PA	S-0816

ATTENTION: IMPORTANT

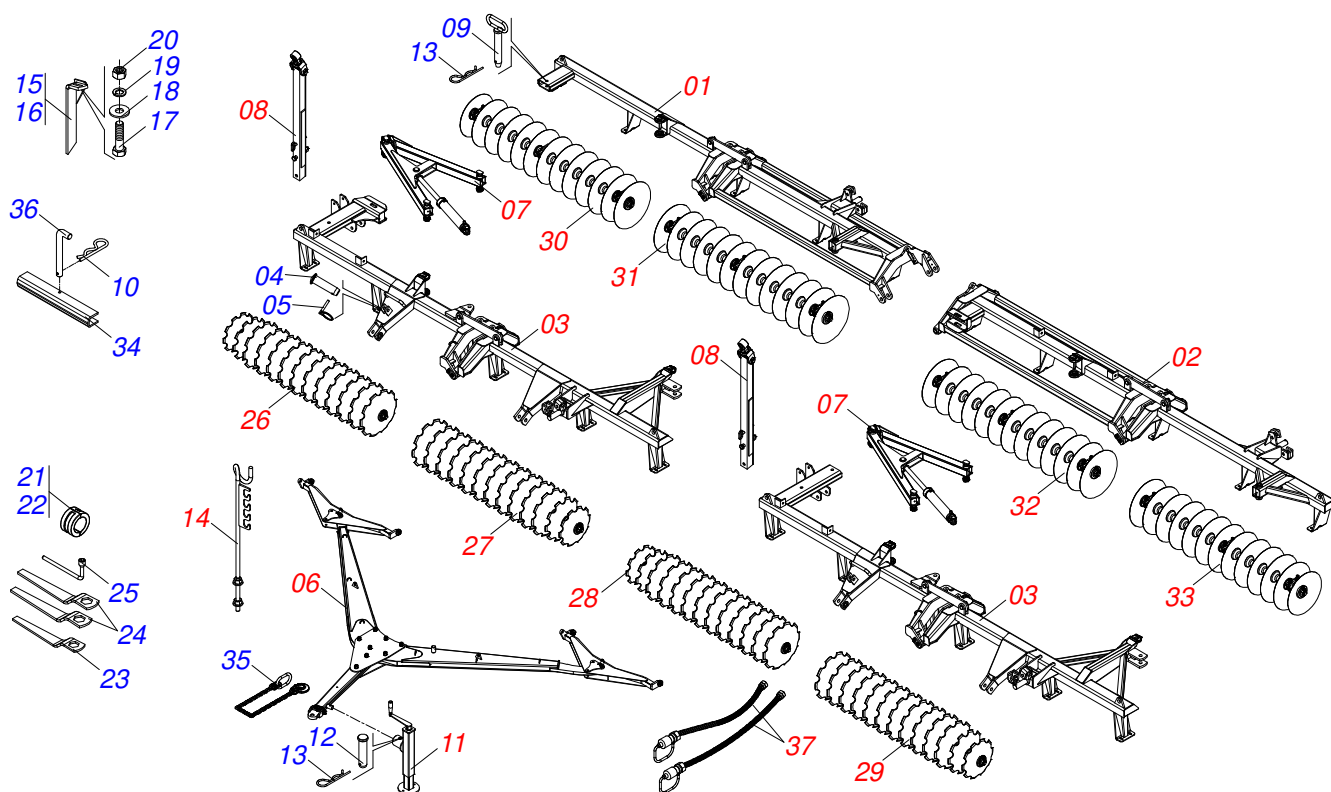
Marchesan S.A. reserves the right to improve and/or modify the technical features of its products, without obligation to do the same with those products already sold and without prior knowledge of the dealer or the consumer. The photos are only illustrative.



MARCHESAN

INDEX

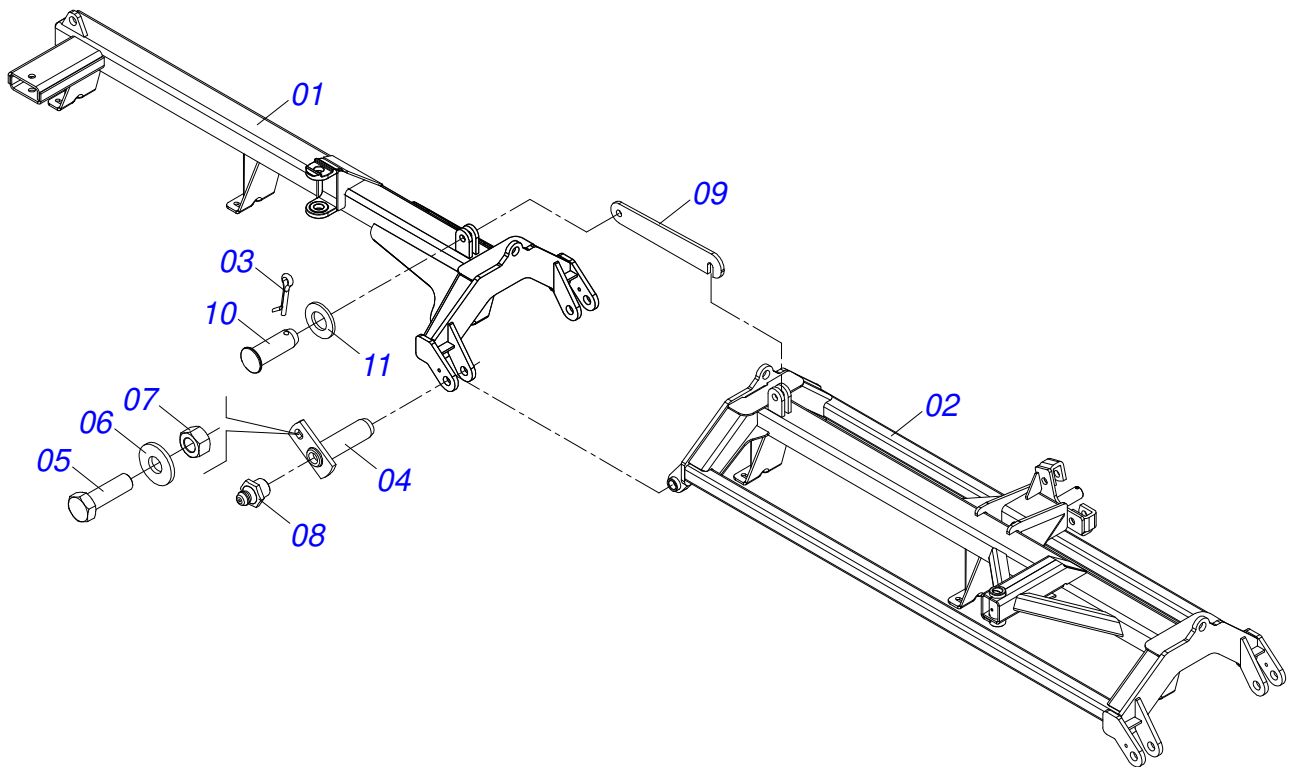
0909093521	GNF/E 104	1
0521047110	ASSY RIGHT REAR FRAME	2
0521047111	ASSY LEFT REAR FRAME	3
0521047113	ASSY FRAME FRONT RIGHT / LEFT	4
0909093510	TRACTION ASSY OF	5
0521046114	ASSY BAR TRACTION	6
0909093511	OPENING ASSY	7
0511058461	HYDRAULIC CYLINDER	8
0521050969	1400 ASSY TRACTION BAR	9
0511048088	DRAWBAR JACK	10
0501040257	3/4 X 1200 HOSE HOLDER A	11
0909093512	SECTION FRONT RIGHT SIDE	12
0909093513	CENTRAL FRONT SECTION	13
0909093514	CENTRAL FRONT SECTION LEFT	14
0909093515	SECTION FRONT SIDE LEFT	15
0909093516	SIDE REAR SECTION RIGHT	16
0909093517	CENTRAL RIGHT REAR SECTION	17
0909093518	LEFT CENTRAL REAR SECTION	18
0909093519	SECTION REAR LEFT SIDE	19
0501047055	BEARING	20
0909093489	HYDRAULIC CIRCUIT	21
0501053834	MALE QUICK COUPLER	22
0501053835	FEMALE QUICK COUPLER	23



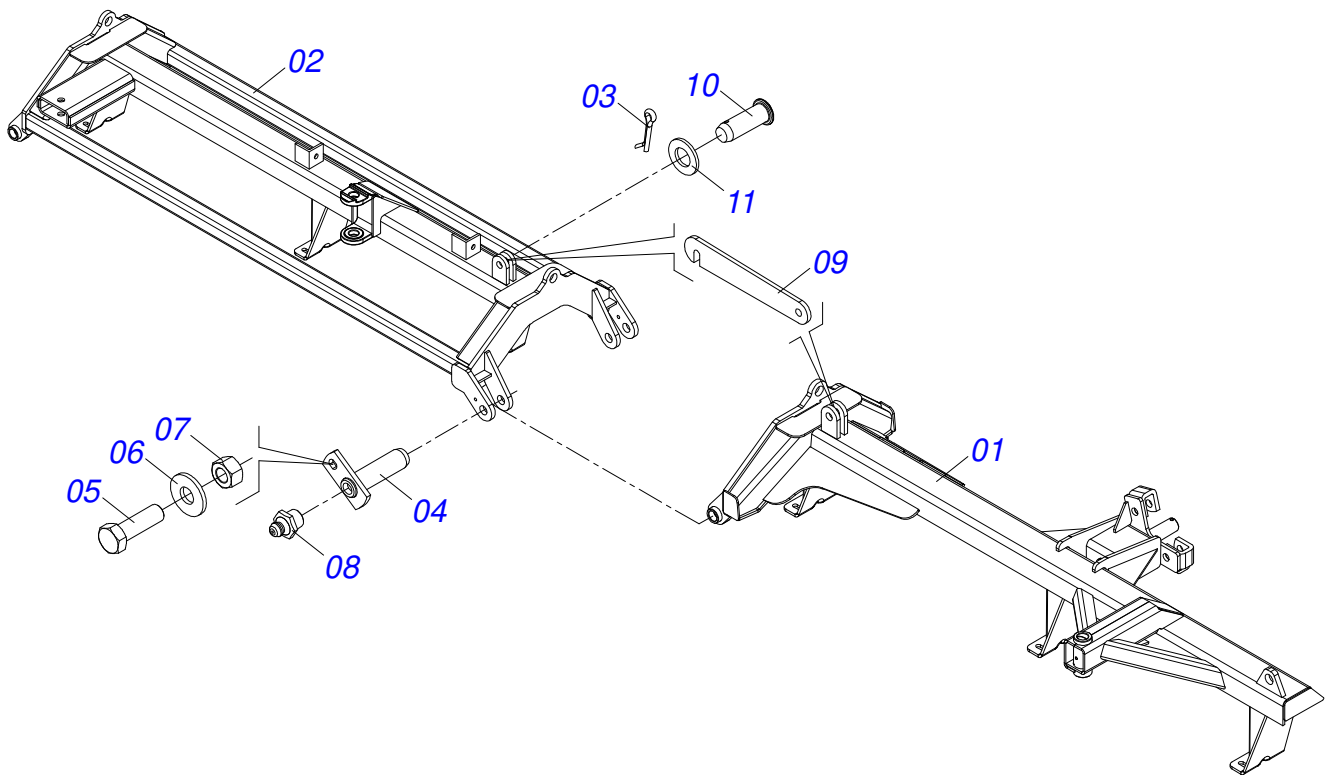
Item	Code	Description	See page	QT
01	0521047110	ASSY RIGHT REAR FRAME	2	01
02	0521047111	ASSY LEFT REAR FRAME	3	01
03	0521047113	ASSY FRAME FRONT RIGHT / LEFT	4	02
04	0501019002	JUNCTION SHAFT		02
05	0503030085	LOCK PIN		02
06	0909093510	TRACTION ASSY OF	5	01
07	0909093511	OPENING ASSY	7	01
08	0521050969	1400 ASSY TRACTION BAR	9	01
09	0501075403	HITCH PIN		02
10	0503030168	HITCH PIN CLIP		02
11	0511048088	DRAWBAR JACK	10	01
12	0561014251	COUPLING SHAFT		01
13	0503030012	HITCH PIN CLIP		02
14	0501040257	3/4 X 1200 HOSE HOLDER A	11	01
15	0501063962	REAR SCRAPER		38
16	0501063963	FRONT SCRAPER		39
17	0503011082	C1/2" X 1.3/4" SCREW		154
18	0511017302	FLAT WASHER		154
19	0503010019	1/2" SPRING WASHER		154
20	0503010060	1/2" NUT		154
21	0501047895	ROD STOP		12
22	0501047885	ROD STOP		08
23	0511018451	5/8" X 3/4" X 1" UNIVERSAL		01
24	0501011432	1-1/2" AND 1-5/8 GANG BOLT WRENCH		02
25	0501068273	5/8" WRENCH		01
26	0909093512	SECTION FRONT RIGHT SIDE	12	01
27	0909093513	CENTRAL FRONT SECTION	13	01
28	0909093514	CENTRAL FRONT SECTION LEFT	14	01
29	0909093515	SECTION FRONT SIDE LEFT	15	01
30	0909093516	SIDE REAR SECTION RIGHT	16	01
31	0909093517	CENTRAL RIGHT REAR SECTION	17	01



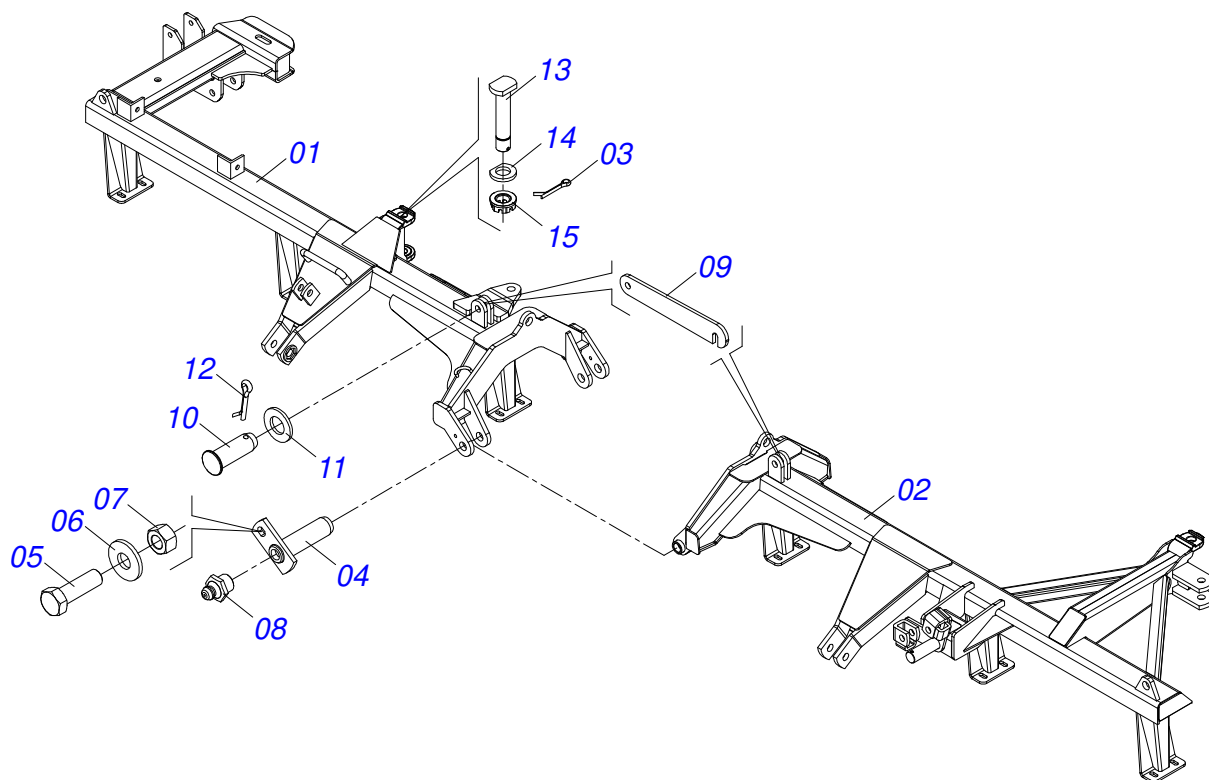
Item	Code	Description	See page	QT
32	0909093518	LEFT CENTRAL REAR SECTION	18	01
33	0909093519	SECTION REAR LEFT SIDE	19	01
34	0561018173	LOCK FOR TRANSPORT		02
35	0503013150	1300 X 3/8 CHAIN		01
36	0541016844	FIXER LOCK		02
37	0909093489	HYDRAULIC CIRCUIT	21	01



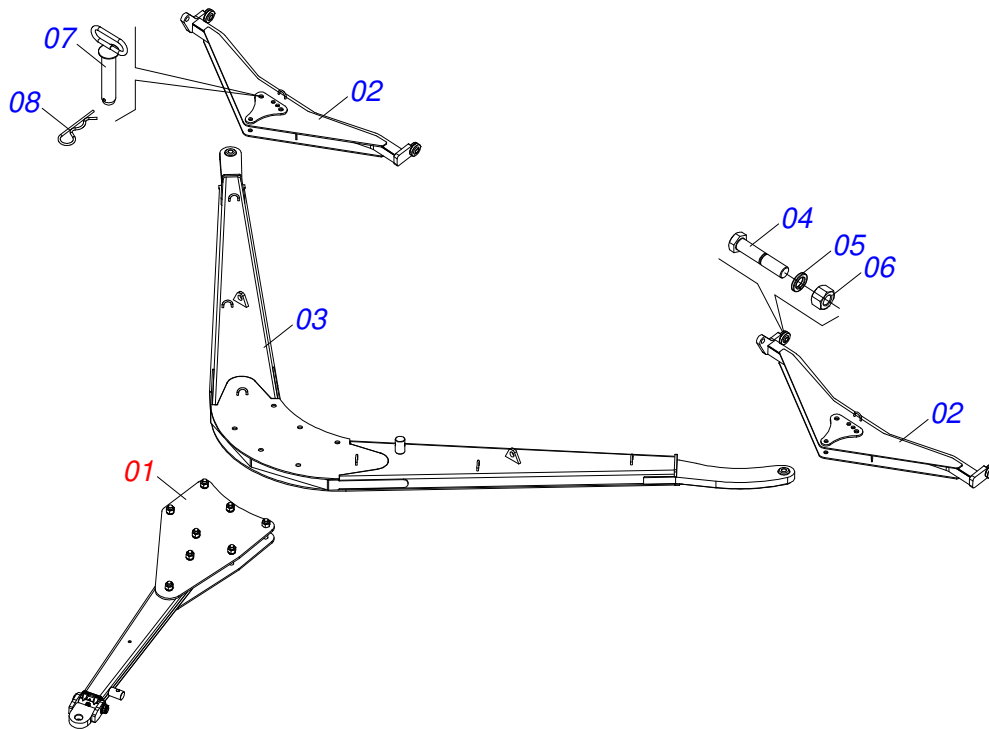
Item	Code	Description	See page	QT
01	0521067667	RIGHT REAR FRAME		01
02	0521067666	REAR FRAME INTERNAL RIGHT		01
03	0503010571	1/4" X 1.1/2 COTTERPIN		02
04	0501063751	1.5" X 5.5" PIVOT SHAFT		02
05	0501010100	SCREW 5/8 UNC X 2 CS G.5 ZN		02
06	0501012140	FLAT WASHER		02
07	0503010013	5/8" NUT		02
08	0503010002	1800 GREASE FITTING		03
09	0501018941	TRANSPORT LOCK		01
10	0521010592	1.1" X 3.1" COUPLING SHAFT		02
11	0511017480	FLAT WASHER		02



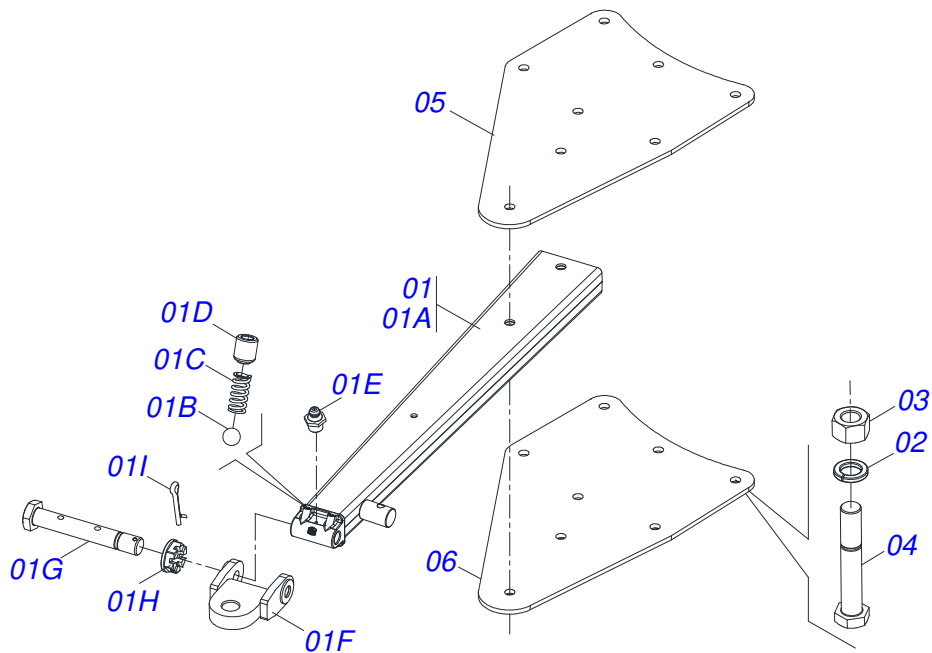
Item	Code	Description	See page	QT
01	0521067663	LEFT REAR FRAME		01
02	0521067665	LEFT INTERNAL REAR CHASSIS		01
03	0503010571	1/4" X 1.1/2 COTTERPIN		02
04	0501063751	1.5" X 5.5" PIVOT SHAFT		02
05	0501010100	SCREW 5/8 UNC X 2 CS G.5 ZN		02
06	0501012140	FLAT WASHER		02
07	0503010013	5/8" NUT		02
08	0503010002	1800 GREASE FITTING		03
09	0501018941	TRANSPORT LOCK		01
10	0521010592	1.1" X 3.1" COUPLING SHAFT		02
11	0511017480	FLAT WASHER		02



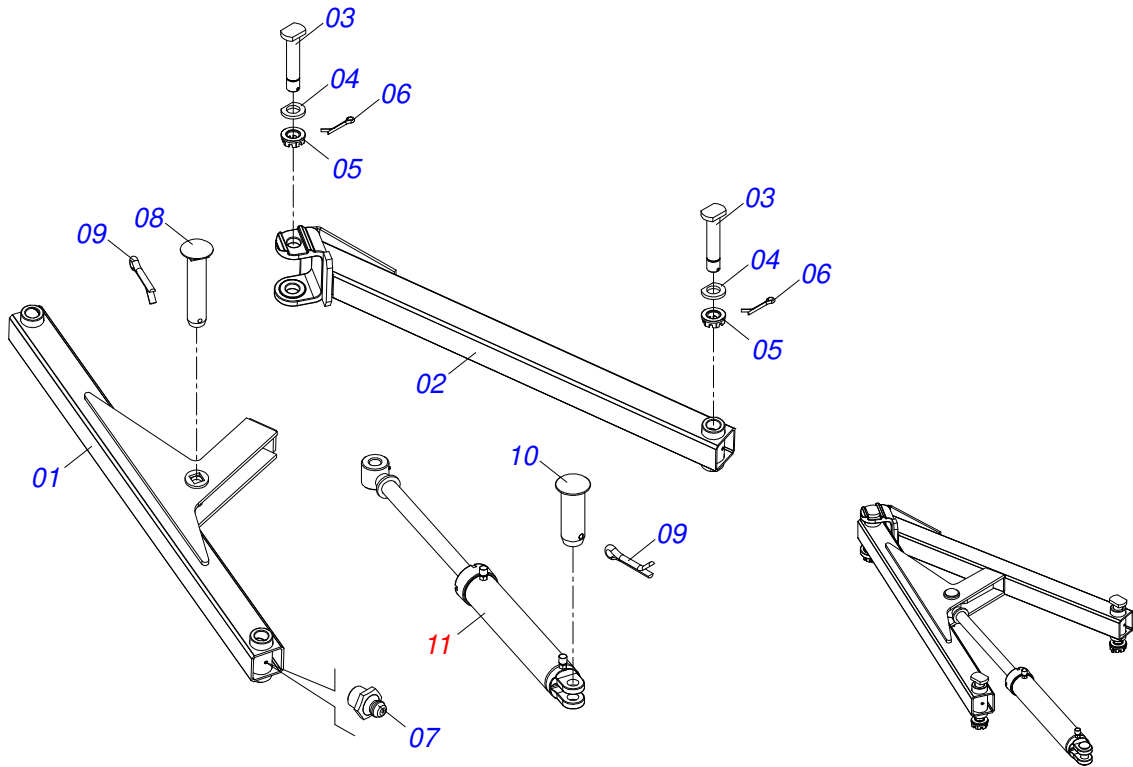
Item	Code	Description	See page	QT
01	0521067653	FRAME FRONT RIGHT		01
02	0521067669	FRAME FRONT LEFT		01
03	0503010010	1/4" X 2.1/2" COTTERPIN		01
04	0501063751	1.5" X 5.5" PIVOT SHAFT		02
05	0501010100	SCREW 5/8 UNC X 2 CS G.5 ZN		02
06	0501012140	FLAT WASHER		02
07	0503010013	5/8" NUT		02
08	0503010002	1800 GREASE FITTING		02
09	0501018941	TRANSPORT LOCK		01
10	0521010592	1.1" X 3.1" COUPLING SHAFT		02
11	0511017480	FLAT WASHER		02
12	0503010571	1/4" X 1.1/2 COTTERPIN		02
13	0531019497	1.5" X 9.2" ARTICULATED AXIS		01
14	0501012916	FLAT WASHER 38,50 X 66 X 4,75 ZN		01
15	0501011301	1.1/2 UNC 6FPP 2.5/16 NUT		01



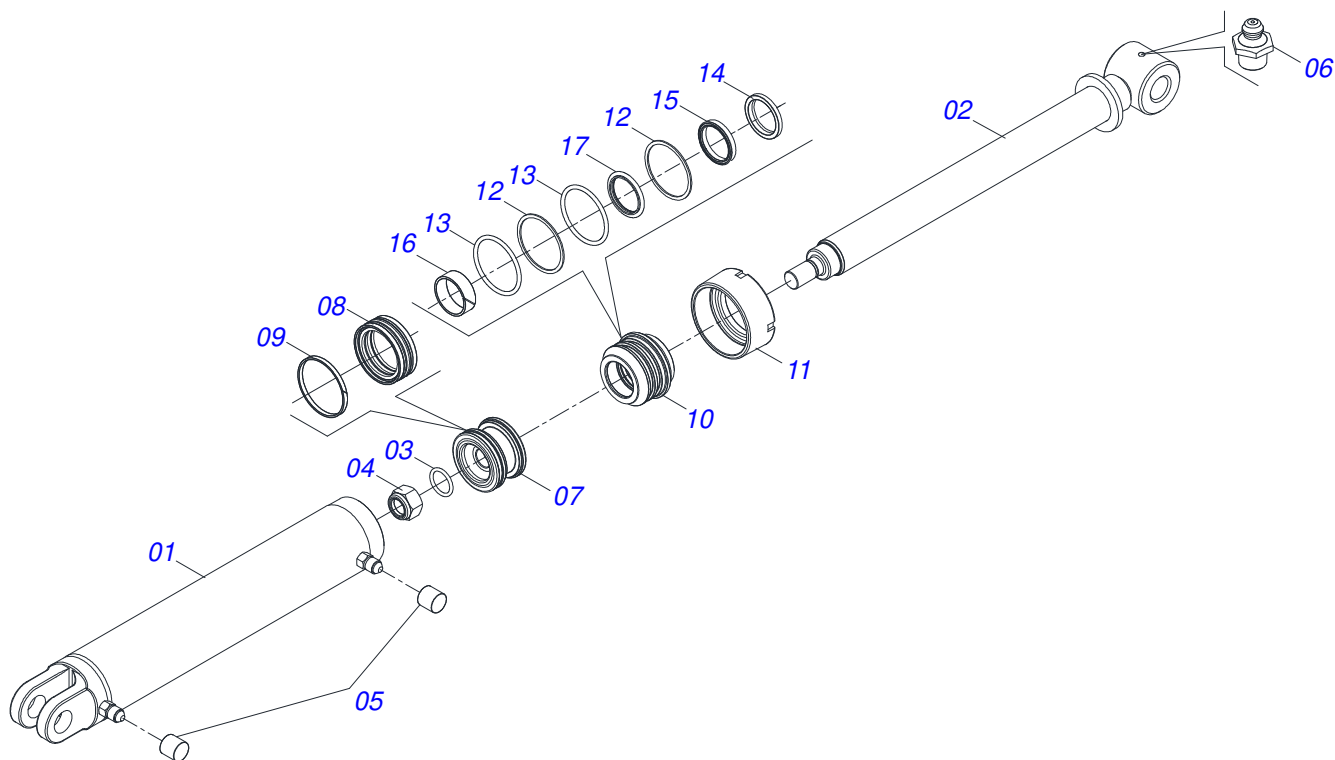
Item	Code	Description	See page	QT
01	0521046114	ASSY BAR TRACTION	6	01
02	0521065186	HITCH BAR		02
03	0521067662	HEADER		01
04	0501010426	1-1/4" X 6" SCREW		04
05	0503010070	SPRING WASHER		04
06	0501010087	1.1/4" NUT		04
07	0511062895	31,75 X 150 COUPLING SHAFT		02
08	0503030012	HITCH PIN CLIP		02



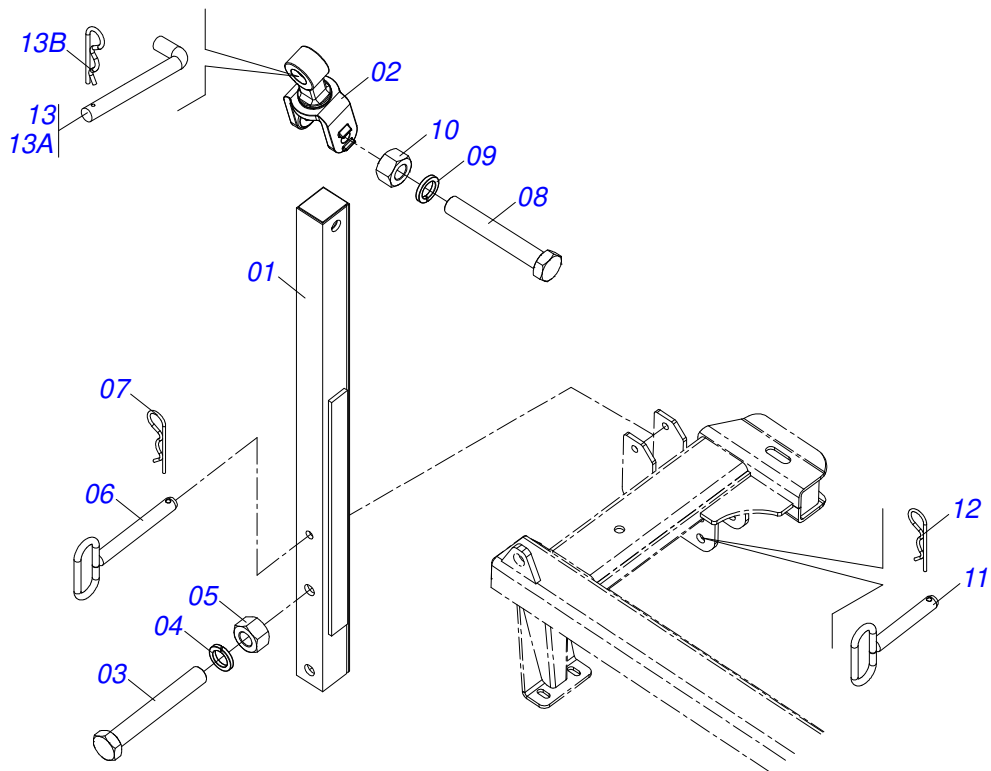
Item	Code	Description	See page	QT
01	0511058610	TRACTION BAR		01
01A	0521066595	TRACTION BAR		01
01B	0503012389	1/2 BALL		02
01C	0503033994	COMPRESSION SPRING		02
01D	0503013333	BOLT		02
01E	0503010002	1800 GREASE FITTING		01
01F	0511070237	TRACTOR HITCH		01
01G	0571016538	1-1/2" X 245" BOLT		01
01H	0501011301	1.1/2 UNC 6FPP 2.5/16 NUT		01
01I	0503010010	1/4" X 2.1/2" COTTERPIN		01
02	0503010070	SPRING WASHER		08
03	0501010087	1.1/4" NUT		08
04	0503013212	SCREW		08
05	0581010778	FIXING PLATE		01
06	0521066594	FIXING PLATE		01



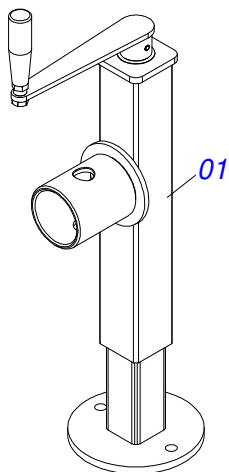
Item	Code	Description	See page	QT
01	0511064087	FRONT STABILIZER BAR		02
02	0511064088	REAR STABILIZER BAR		02
03	0531019497	1.5" X 9.2" ARTICULATED AXIS		06
04	0501012916	FLAT WASHER 38,50 X 66 X 4,75 ZN		06
05	0501011301	1.1/2 UNC 6FPP 2.5/16 NUT		06
06	0503010010	1/4" X 2.1/2" COTTERPIN		06
07	0503010002	1800 GREASE FITTING		03
08	0521013077	1.2" X 5.7" PIVOT SHAFT		02
09	0503010523	1/4" X 2" COTTERPIN		04
10	0521012538	1.2" X 3.5" COUPLING SHAFT		02
11	0511058461	HYDRAULIC CYLINDER	8	02



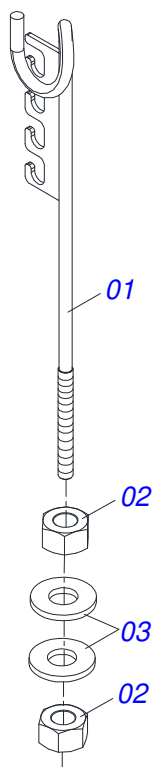
Item	Code	Description	See page	QT
01	0521063982	CYLINDER CASE		01
02	0521067533	50,80 X 697 EXTENSOR		01
03	0503010042	2-214 N 3006-9B O'RING		01
04	0503010063	1" SELF-ALIGNING NUT		01
05	0503030385	CYLINDER PLUG N-002		02
06	0503010002	1800 GREASE FITTING		01
07	0571019710	1.7" X 3.4" PISTON		01
08	0503017935	RING		01
09	0503018144	RING		01
10	0581013228	50,80 X 85,72 SUPPORT RINGS		01
11	0581013227	85,72 MOVEI COVER		01
12	0503017940	8-337 BACK-UP RING		02
13	0503017939	2-337 N 3006-9B O' RING		02
14	0503010039	D-2000 SCRAPER RING		01
15	0503018026	1870-2000-375 B GASKET		01
16	0503018025	RING GUIDE		01
17	0503018024	RING BS		01



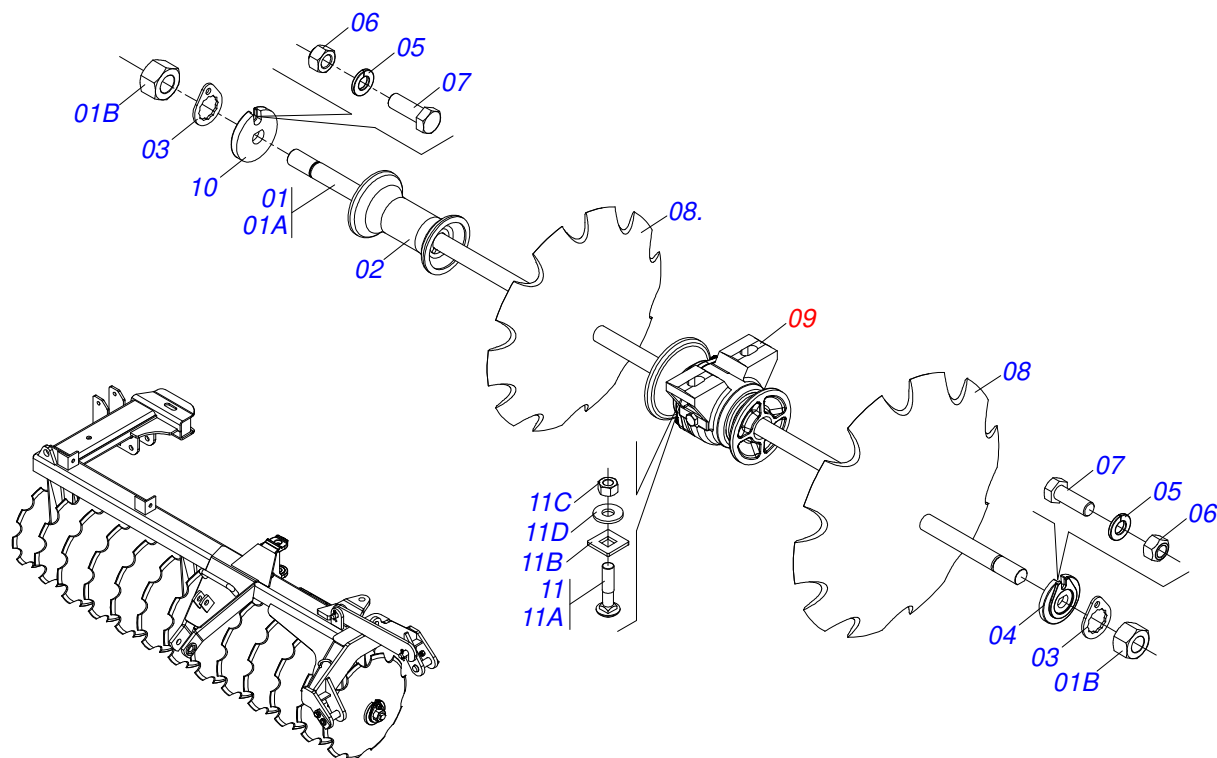
Item	Code	Description	See page	QT
001	0501060188	DRAWBAR ASSY	01	01
002	0521061775	TRACTOR HITCH	01	01
003	0501010334	1" X 7" BOLT	01	01
004	0503010012	1" SPRING WASHER	01	01
005	0501010059	1.5/8 NUT	01	01
006	0521064088	LOCK AXLE	01	01
007	0503030012	HITCH PIN CLIP	01	01
008	0501010334	1" X 7" BOLT	01	01
009	0503010012	1" SPRING WASHER	01	01
010	0501010059	1.5/8 NUT	01	01
011	0521067644	JUNCTION SHAFT	01	01
012	0503031035	HITCH PIN CLIP	01	01
013	0501040343	DRAWBOLT ASSY	01	01
013A	0521010453	AXI SHAFT	01	01
013B	0503031035	HITCH PIN CLIP	01	01



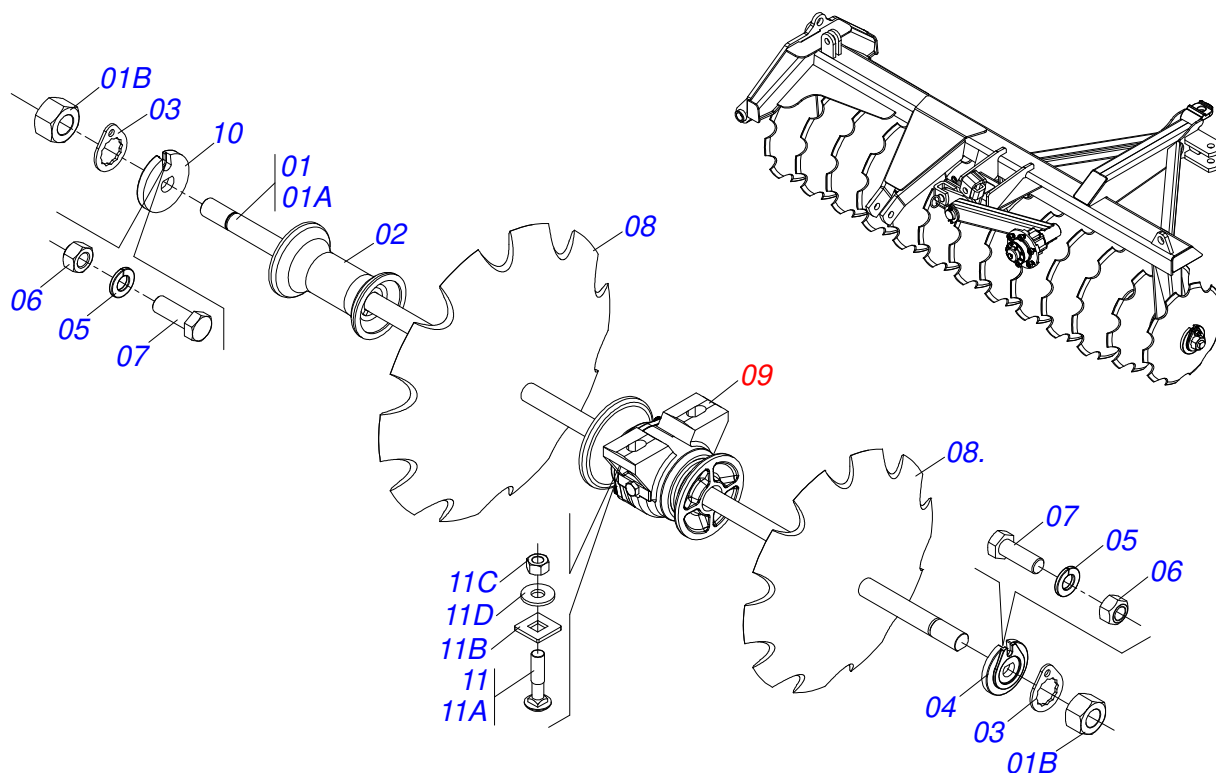
Item	Code	Description	See page	QT
01	0503062227	DRAWBAR JACK		01



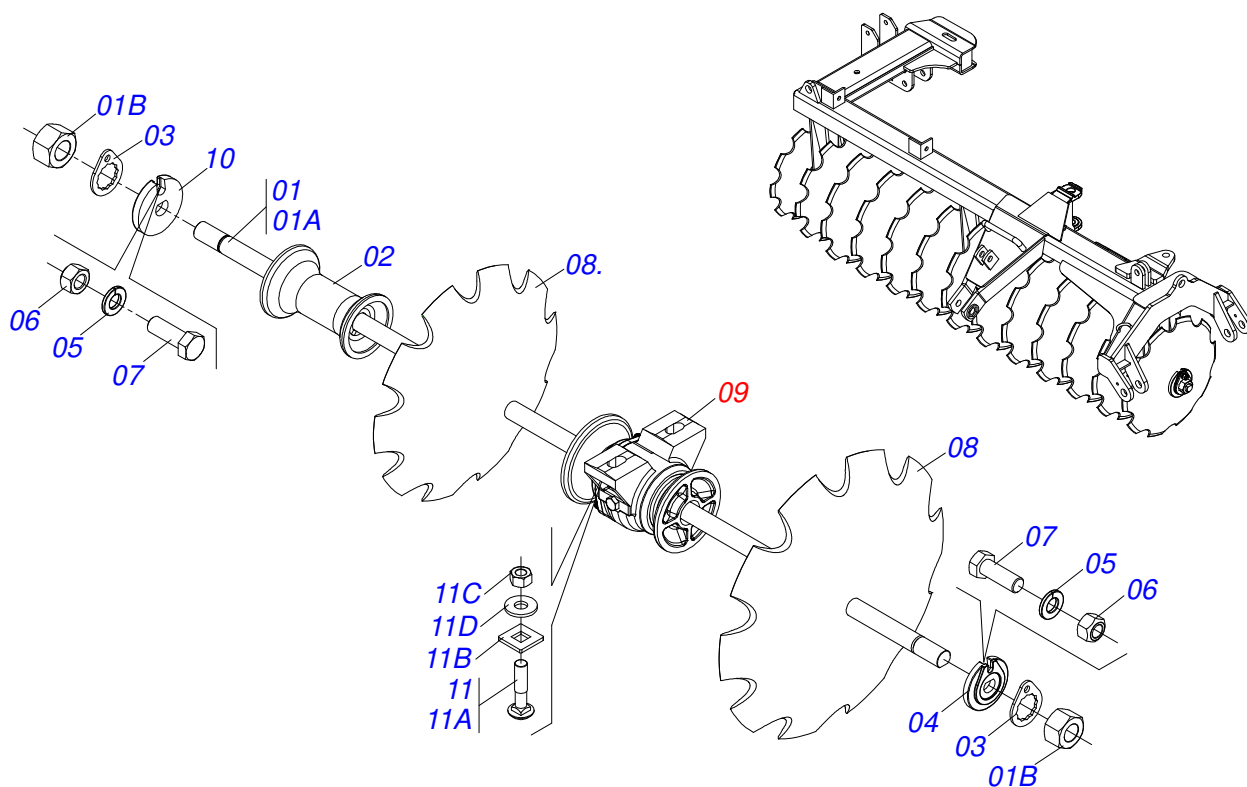
Item	Code	Description	See page	QT
01	0511067334	HOSE SUPPORT		01
02	0503010014	3/4" NUT		02
03	0501010322	FLAT WASHER		02



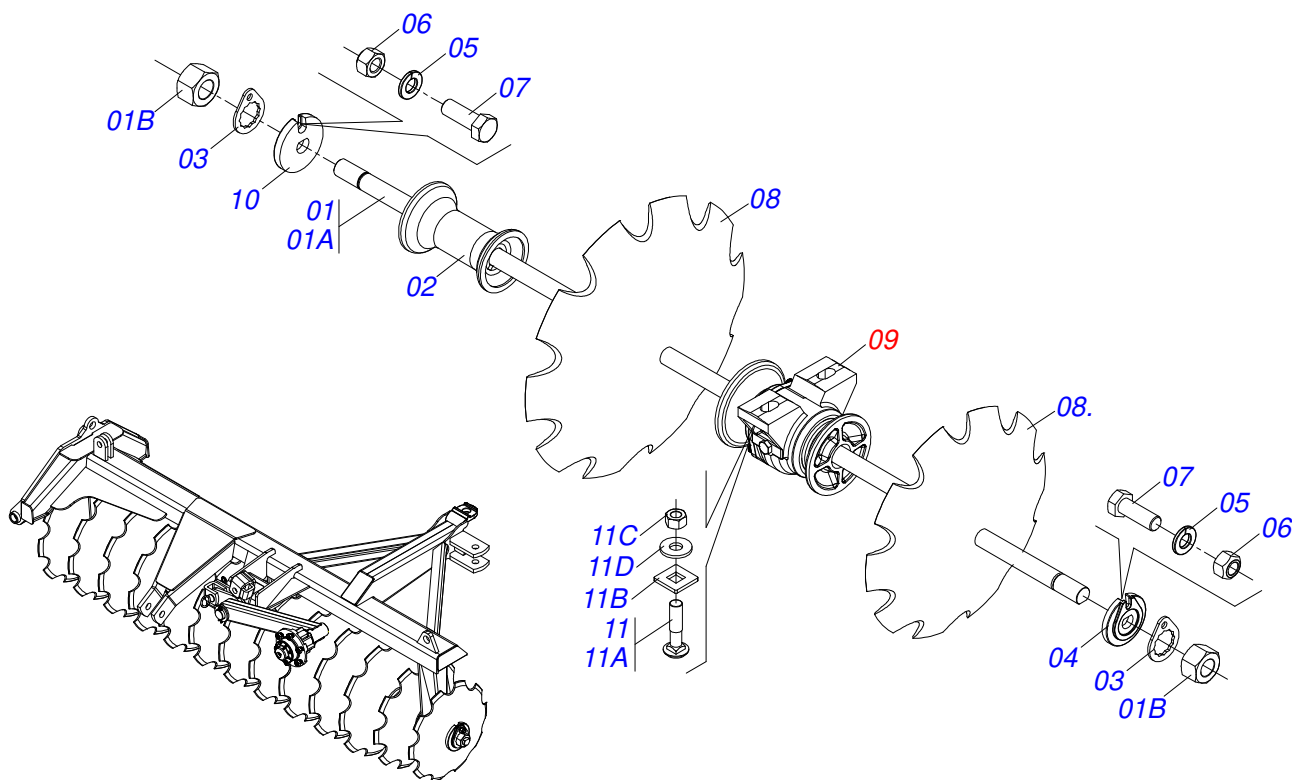
Item	Code	Description	See page	QT
01	0511054527	AXIS 1.1/2" UNC X 2490 WITH NUTS		01
01A	0531019372	AXIS 1.1/2 6FPP X 2490		01
01B	0501010110	1.1/2" NUT		02
02	0502010627	SPACER		09
03	0501018592	1.5/8" NUT LOCK		02
04	0502010871	1-1/2" EXTERNAL AXLE WASHER		01
05	0503010027	5/8" SPRING WASHER		02
06	0503010013	5/8" NUT		02
07	0503011267	BOLT 5/8 UNC X 1.1/2 C S G.5 ZN		02
08	0602029416	DR22X4,5 C64AF02FR1.9/16 10REC TATU		12
08.	0602025263	18" X 4,5 NOTCHED DISC BLADE		01
09	0501047055	BEARING	20	03
10	0502010872	1-1/2" INNER AXLE WASHER		01
11	0501058802	5/8 UNC X 2.3/4 BOLT ASSY		06
11A	0503015154	5/8" X 2.3/4" BOLT		06
11B	0501010947	5/8 NUT LOCK		06
11C	0503010013	5/8" NUT		12
11D	0501012140	FLAT WASHER		06



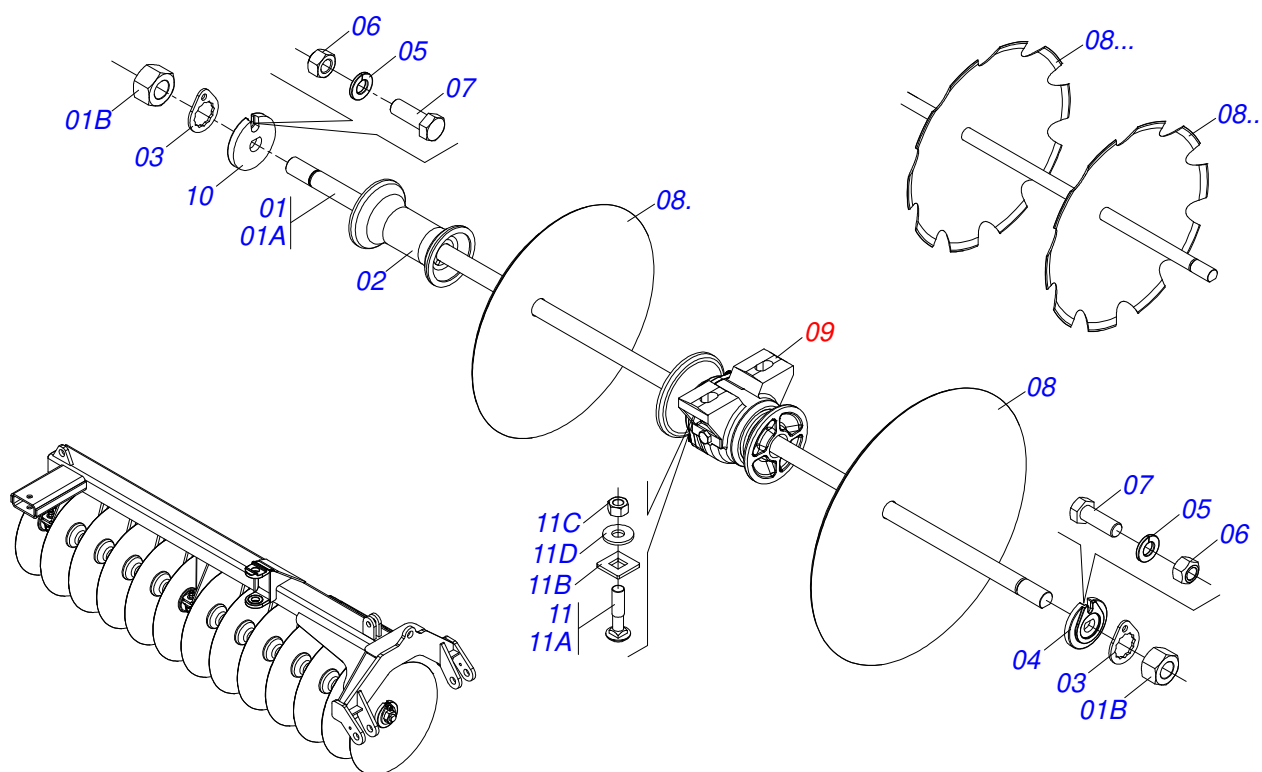
Item	Code	Description	See page	QT
01	0511054527	AXIS 1.1/2" UNC X 2490 WITH NUTS		01
01A	0531019372	AXIS 1.1/2 6FPP X 2490		01
01B	0501010110	1.1/2" NUT		02
02	0502010627	SPACER		09
03	0501018592	1.5/8" NUT LOCK		02
04	0502010871	1-1/2" EXTERNAL AXLE WASHER		01
05	0503010027	5/8" SPRING WASHER		02
06	0503010013	5/8" NUT		02
07	0503011267	BOLT 5/8 UNC X 1.1/2 C S G.5 ZN		02
08	0602029416	DR22X4,5 C64AF02FR1.9/16 10REC TATU		12
08.	0602025263	18" X 4,5 NOTCHED DISC BLADE		01
09	0501047055	BEARING	20	03
10	0502010872	1-1/2" INNER AXLE WASHER		01
11	0501058802	5/8 UNC X 2.3/4 BOLT ASSY		06
11A	0503015154	5/8" X 2.3/4" BOLT		06
11B	0501010947	5/8 NUT LOCK		06
11C	0503010013	5/8" NUT		12
11D	0501012140	FLAT WASHER		06



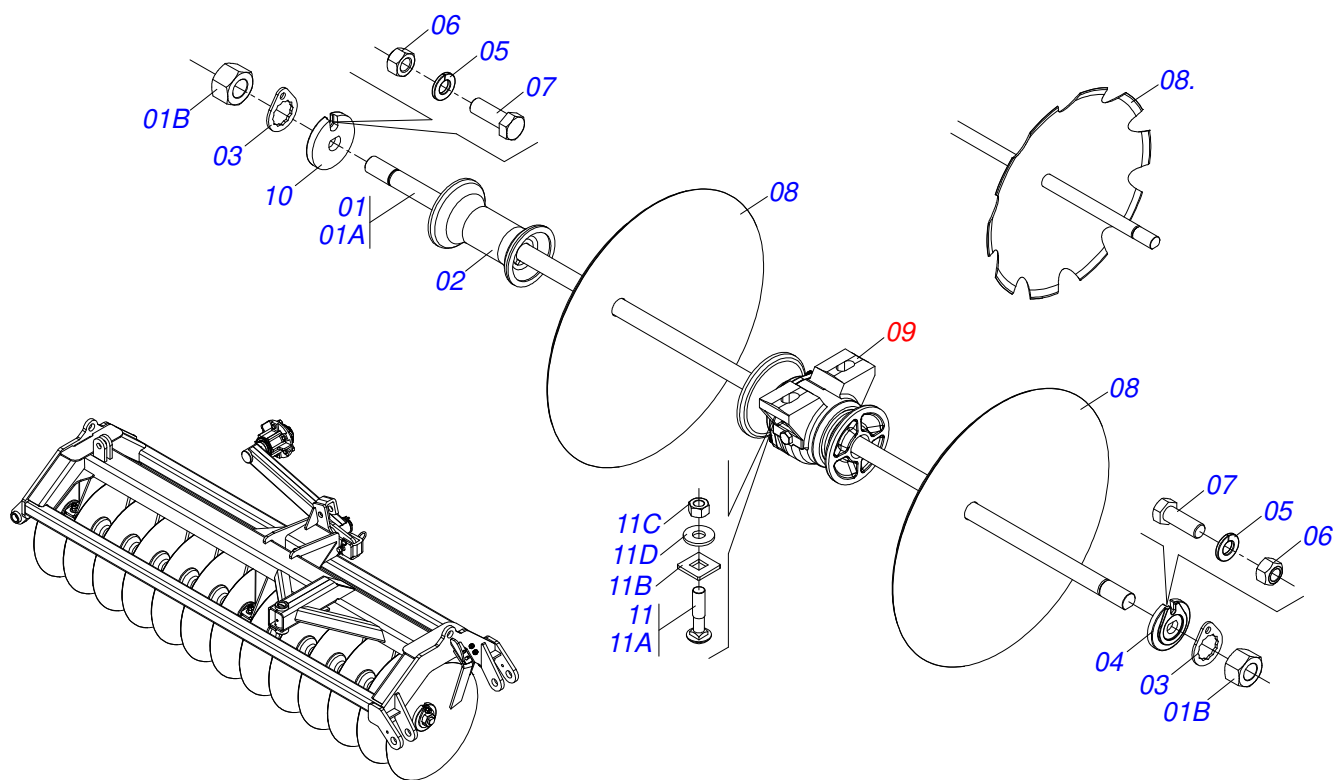
Item	Code	Description	See page	QT
01	0511054527	AXIS 1.1/2" UNC X 2490 WITH NUTS		01
01A	0531019372	AXIS 1.1/2 6FPP X 2490		01
01B	0501010110	1.1/2" NUT		02
02	0502010627	SPACER		09
03	0501018592	1.5/8" NUT LOCK		02
04	0502010871	1-1/2" EXTERNAL AXLE WASHER		01
05	0503010027	5/8" SPRING WASHER		02
06	0503010013	5/8" NUT		02
07	0503011267	BOLT 5/8 UNC X 1.1/2 C S G.5 ZN		02
08	0602029416	DR22X4,5 C64AF02FR1.9/16 10REC TATU		12
08.	0602025263	18" X 4,5 NOTCHED DISC BLADE		01
09	0501047055	BEARING	20	03
10	0502010872	1-1/2" INNER AXLE WASHER		01
11	0501058802	5/8 UNC X 2.3/4 BOLT ASSY		06
11A	0503015154	5/8" X 2.3/4" BOLT		06
11B	0501010947	5/8 NUT LOCK		06
11C	0503010013	5/8" NUT		12
11D	0501012140	FLAT WASHER		06



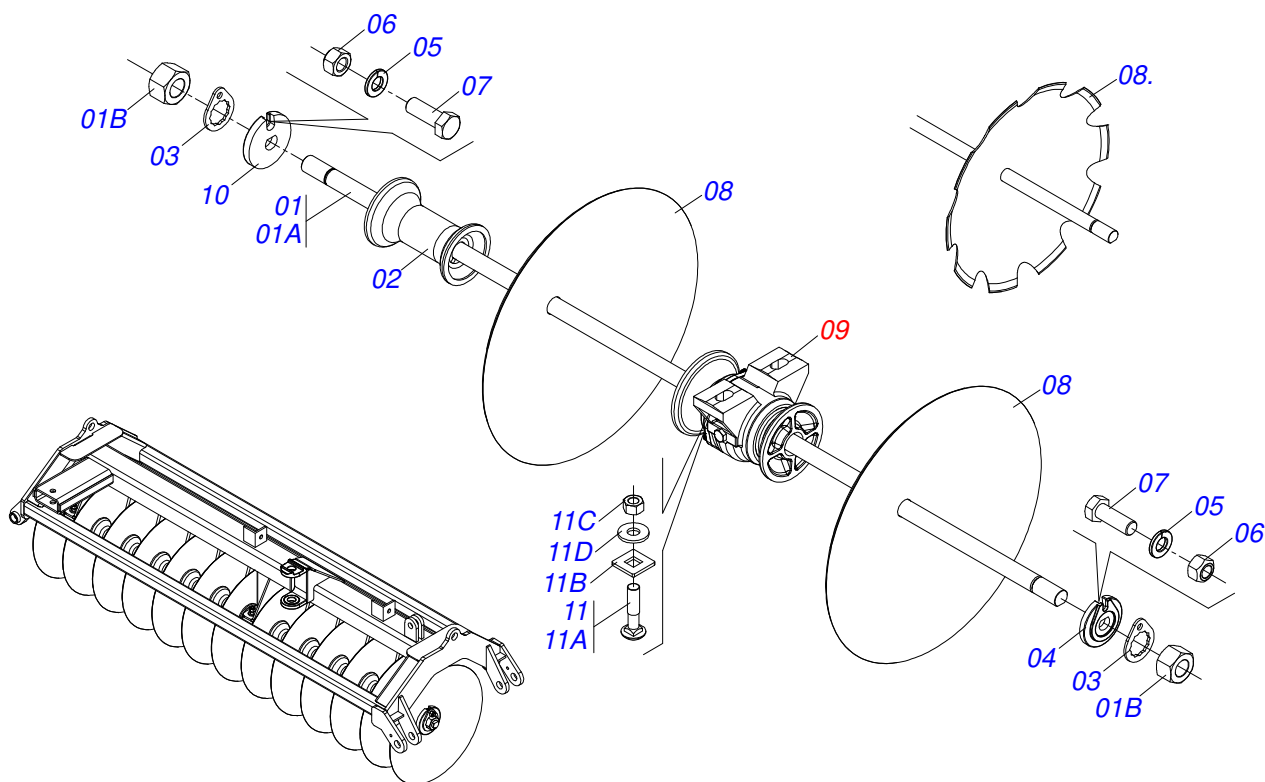
Item	Code	Description	See page	QT
01	0511054527	AXIS 1.1/2" UNC X 2490 WITH NUTS		01
01A	0531019372	AXIS 1.1/2 6FPP X 2490		01
01B	0501010110	1.1/2" NUT		02
02	0502010627	SPACER		09
03	0501018592	1.5/8" NUT LOCK		02
04	0502010871	1-1/2" EXTERNAL AXLE WASHER		01
05	0503010027	5/8" SPRING WASHER		02
06	0503010013	5/8" NUT		02
07	0503011267	BOLT 5/8 UNC X 1.1/2 C S G.5 ZN		02
08	0602029416	DR22X4,5 C64AF02FR1.9/16 10REC TATU		12
08.	0602025263	18" X 4,5 NOTCHED DISC BLADE		01
09	0501047055	BEARING	20	03
10	0502010872	1-1/2" INNER AXLE WASHER		01
11	0501058802	5/8 UNC X 2.3/4 BOLT ASSY		06
11A	0503015154	5/8" X 2.3/4" BOLT		06
11B	0501010947	5/8 NUT LOCK		06
11C	0503010013	5/8" NUT		12
11D	0501012140	FLAT WASHER		06



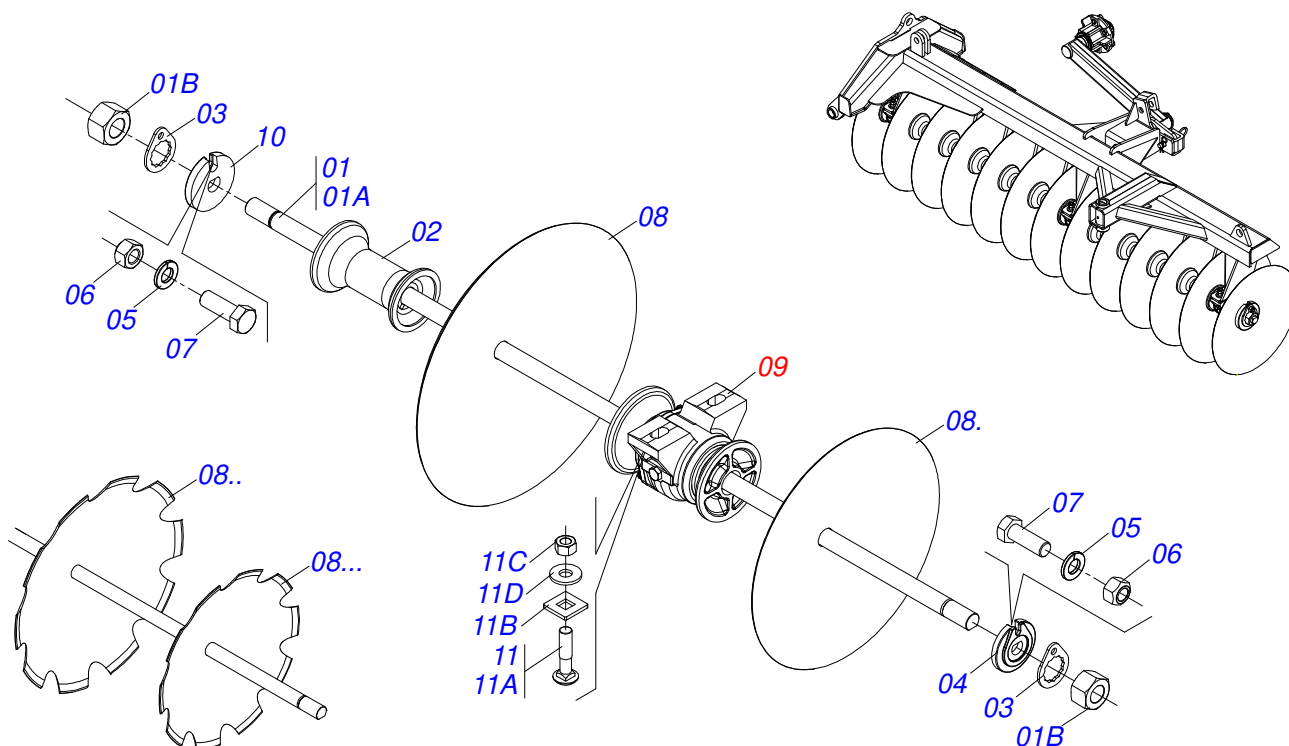
Item	Code	Description	See page	QT
01	0511054527	AXIS 1.1/2" UNC X 2490 WITH NUTS		01
01A	0531019372	AXIS 1.1/2 6FPP X 2490		01
01B	0501010110	1.1/2" NUT		02
02	0502010627	SPACER		09
03	0501018592	1.5/8" NUT LOCK		02
04	0502010872	1-1/2" INNER AXLE WASHER		01
05	0503010027	5/8" SPRING WASHER		02
06	0503010013	5/8" NUT		02
07	0503011267	BOLT 5/8 UNC X 1.1/2 C S G.5 ZN		02
08	0601029413	DL22X4,5 C64AF02FR1.9/16 TATU		12
08..	0601027299	DL20X4,5 C57AF02FR1.9/16 TATU		01
08..	0602029416	DR22X4,5 C64AF02FR1.9/16 10REC TATU		12
08...	0602027343	DR20X4,5 C57AF02FR1.9/16 10R TATU		01
09	0501047055	BEARING	20	03
10	0502010871	1-1/2" EXTERNAL AXLE WASHER		01
11	0501058802	5/8 UNC X 2.3/4 BOLT ASSY		06
11A	0503015154	5/8" X 2.3/4" BOLT		06
11B	0501010947	5/8 NUT LOCK		06
11C	0503010013	5/8" NUT		12
11D	0501012140	FLAT WASHER		06



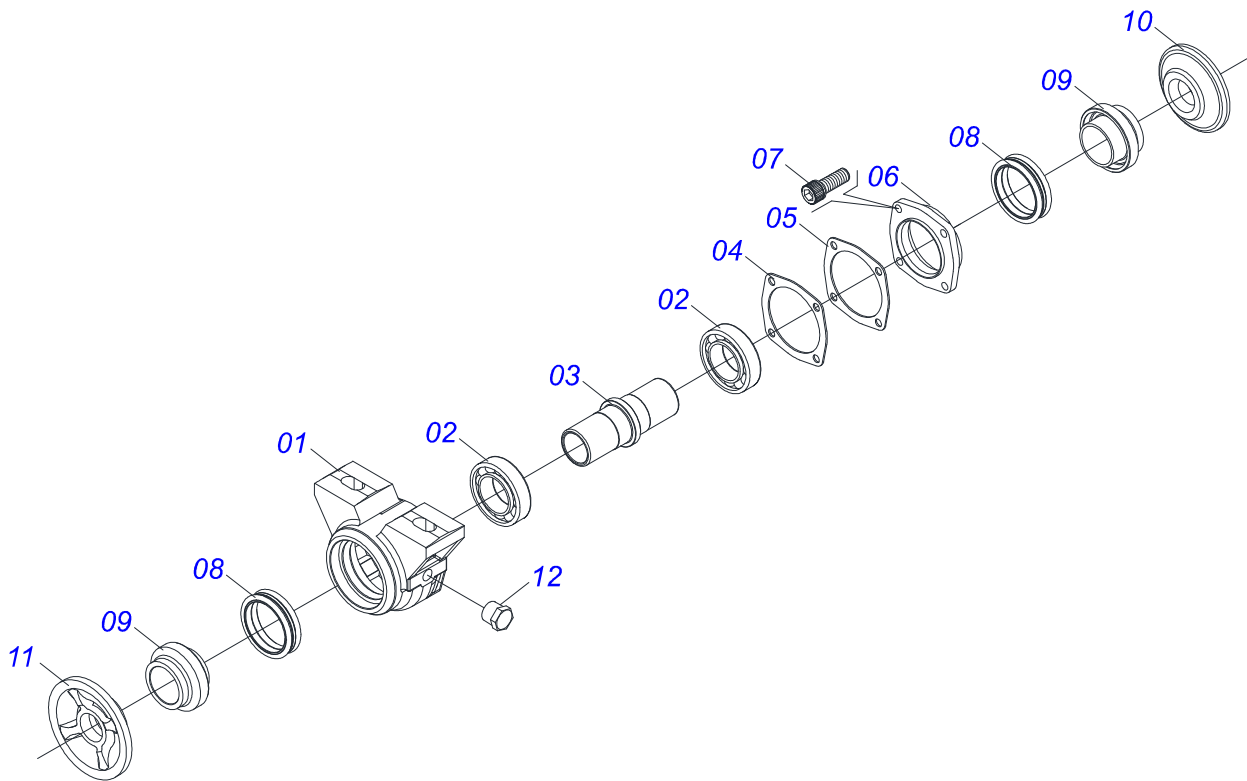
Item	Code	Description	See page	QT
01	0511054527	AXIS 1.1/2" UNC X 2490 WITH NUTS		01
01A	0531019372	AXIS 1.1/2 6FPP X 2490		01
01B	0501010110	1.1/2" NUT		02
02	0502010627	SPACER		09
03	0501018592	1.5/8" NUT LOCK		02
04	0502010872	1-1/2" INNER AXLE WASHER		01
05	0503010027	5/8" SPRING WASHER		02
06	0503010013	5/8" NUT		02
07	0503011267	BOLT 5/8 UNC X 1.1/2 C S G.5 ZN		02
08	0601029413	DL22X4,5 C64AF02FR1.9/16 TATU		13
08.	0602029416	DR22X4,5 C64AF02FR1.9/16 10REC TATU		13
09	0501047055	BEARING	20	03
10	0502010871	1-1/2" EXTERNAL AXLE WASHER		01
11	0501058802	5/8 UNC X 2.3/4 BOLT ASSY		06
11A	0503015154	5/8" X 2.3/4" BOLT		06
11B	0501010947	5/8 NUT LOCK		06
11C	0503010013	5/8" NUT		12
11D	0501012140	FLAT WASHER		06



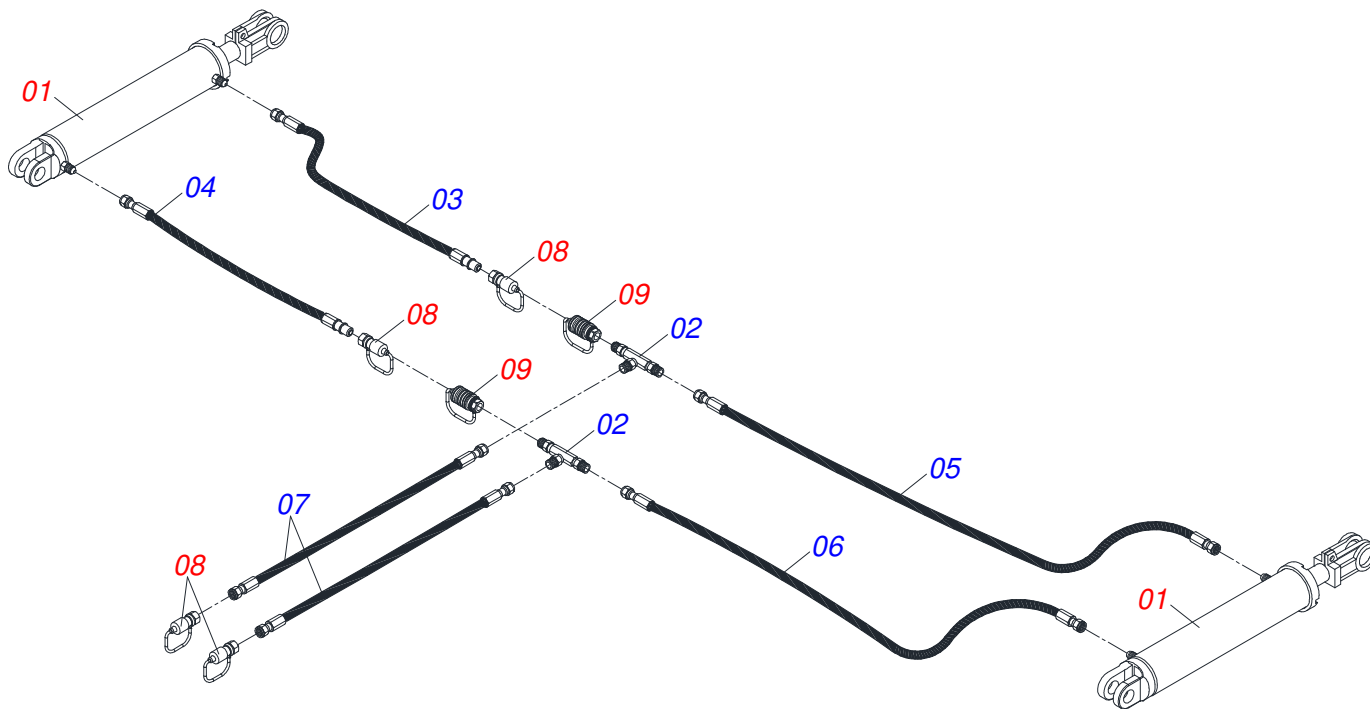
Item	Code	Description	See page	QT
01	0511054527	AXIS 1.1/2" UNC X 2490 WITH NUTS		01
01A	0531019372	AXIS 1.1/2 6FPP X 2490		01
01B	0501010110	1.1/2" NUT		02
02	0502010627	SPACER		09
03	0501018592	1.5/8" NUT LOCK		02
04	0502010872	1-1/2" INNER AXLE WASHER		01
05	0503010027	5/8" SPRING WASHER		02
06	0503010013	5/8" NUT		02
07	0503011267	BOLT 5/8 UNC X 1.1/2 C S G.5 ZN		02
08	0601029413	DL22X4,5 C64AF02FR1.9/16 TATU		13
08.	0602029416	DR22X4,5 C64AF02FR1.9/16 10REC TATU		13
09	0501047055	BEARING	20	03
10	0502010871	1-1/2" EXTERNAL AXLE WASHER		01
11	0501058802	5/8 UNC X 2.3/4 BOLT ASSY		06
11A	0503015154	5/8" X 2.3/4" BOLT		06
11B	0501010947	5/8 NUT LOCK		06
11C	0503010013	5/8" NUT		12
11D	0501012140	FLAT WASHER		06



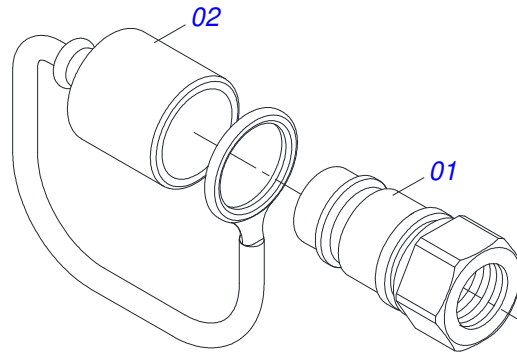
Item	Code	Description	See page	QT
01	0511054527	AXIS 1.1/2" UNC X 2490 WITH NUTS		01
01A	0531019372	AXIS 1.1/2 6FPP X 2490		01
01B	0501010110	1.1/2" NUT		02
02	0502010627	SPACER		09
03	0501018592	1.5/8" NUT LOCK		02
04	0502010872	1-1/2" INNER AXLE WASHER		01
05	0503010027	5/8" SPRING WASHER		02
06	0503010013	5/8" NUT		02
07	0503011267	BOLT 5/8 UNC X 1.1/2 C S G.5 ZN		02
08	0601029413	DL22X4,5 C64AF02FR1.9/16 TATU		12
08.	0601027299	DL20X4,5 C57AF02FR1.9/16 TATU		01
08..	0602029416	DR22X4,5 C64AF02FR1.9/16 10REC TATU		12
08...	0602027343	DR20X4,5 C57AF02FR1.9/16 10R TATU		01
09	0501047055	BEARING	20	03
10	0502010871	1-1/2" EXTERNAL AXLE WASHER		01
11	0501058802	5/8 UNC X 2.3/4 BOLT ASSY		06
11A	0503015154	5/8" X 2.3/4" BOLT		06
11B	0501010947	5/8 NUT LOCK		06
11C	0503010013	5/8" NUT		12
11D	0501012140	FLAT WASHER		06



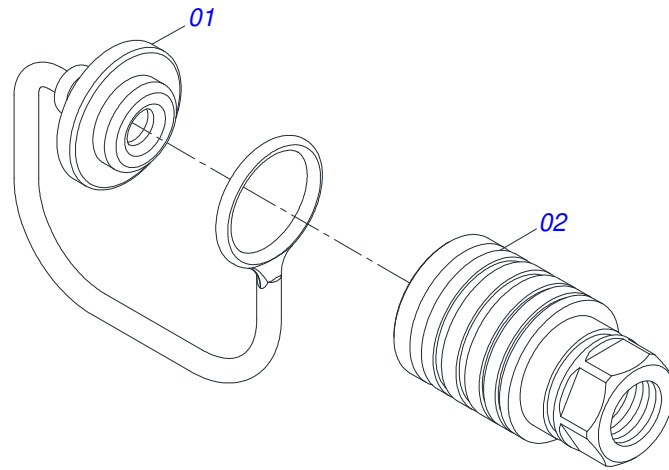
Item	Code	Description	See page	QT
01	0502010540	HOUSING DM		01
02	0503010006	32210 ROLLER BEARING		02
03	0502040061	AXLE		01
04	0503030013	4.4" X 3.5" X 0.004" JOINT		03
05	0503030684	4.4" X 3.5" X 0.004" JOINT		02
06	0502020424	HOUSING CAP		01
07	0503010134	3/8" X 1" BOLT		04
08	0503030026	SEAL LP JB-253		02
09	0502010541	SEAL RETAINER		02
10	0502010604	OUTER FLANGE		01
11	0502010605	INNER FLANGE		01
12	0503010856	OIL PLUG		02



Item	Code	Description	See page	QT
01	0511058461	HYDRAULIC CYLINDER	8	02
02	0511062886	CONNECTION T		02
03	0501080719	HOSE 3/8 X 5300 TR-TM		01
04	0501081363	3/8 X 4900 TR-TM HOSE		01
05	0501080341	3/8 X 5400 TR-TR HOSE		01
06	0501080835	3/8 X 4700 TR-TR HOSE		01
07	0501080509	TR-TM HOSE ASSY		02
08	0501053834	MALE QUICK COUPLER	22	04
09	0501053835	FEMALE QUICK COUPLER	23	02



Item	Code	Description	See page	QT
01	0503011627	MALE QUICK COUPLER AGR 1/2 NPT		01
02	0503011882	MALE QUICK COUPLER CAP		01



Item	Code	Description	See page	QT
01	0503011883	QUICK CONNECTION COVER		01
02	0503011628	FEMALE QUICK COUPLER		01



MARCHESAN

Technical Publications | Elaboration and Revision

ALESSANDRA PATRICIA KAWAHARA CARRILI

www.marchesan.com.br

