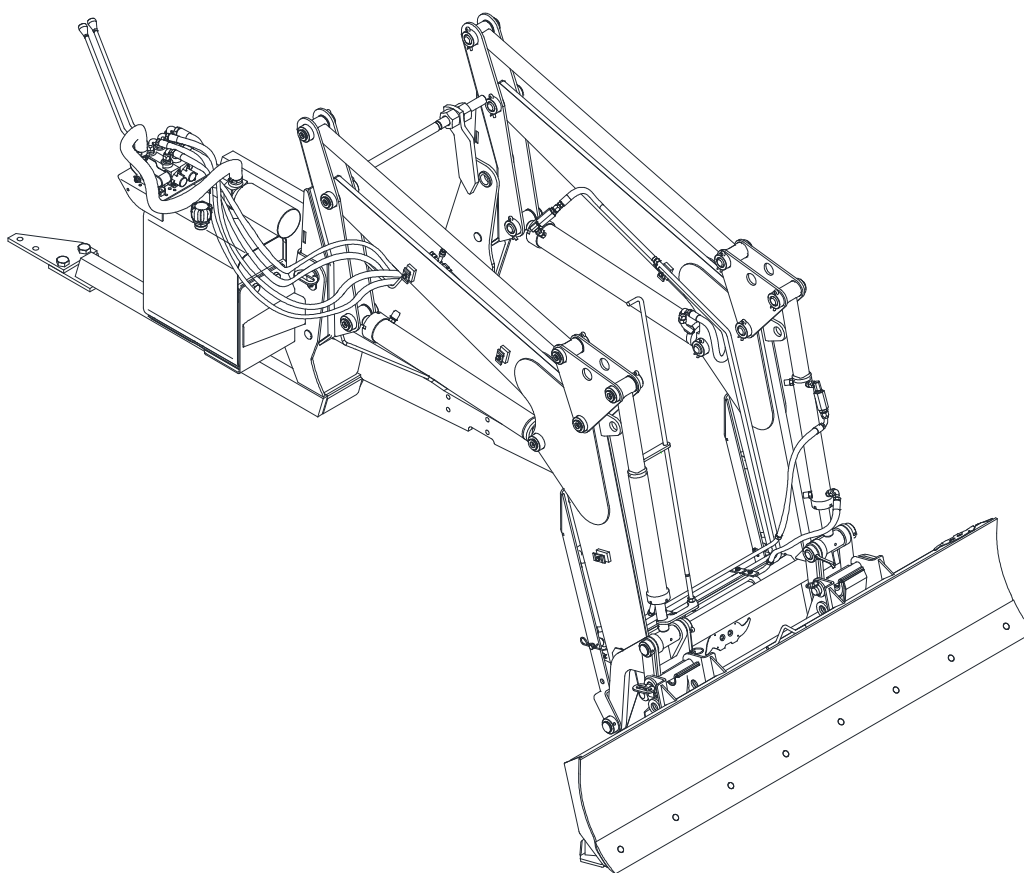


# **PARTS CATALOG**

## **PCA T - AGRICULTURAL FRONT LOADER**

**PCA-T 1500 VTR BL77-4 SHTCD**

**Code: 0501092005**



**Series: S-0808**

**Review: SETEMBRO/2017**

**ORIGINAL PARTS  
TATU**



# PRODUCTS

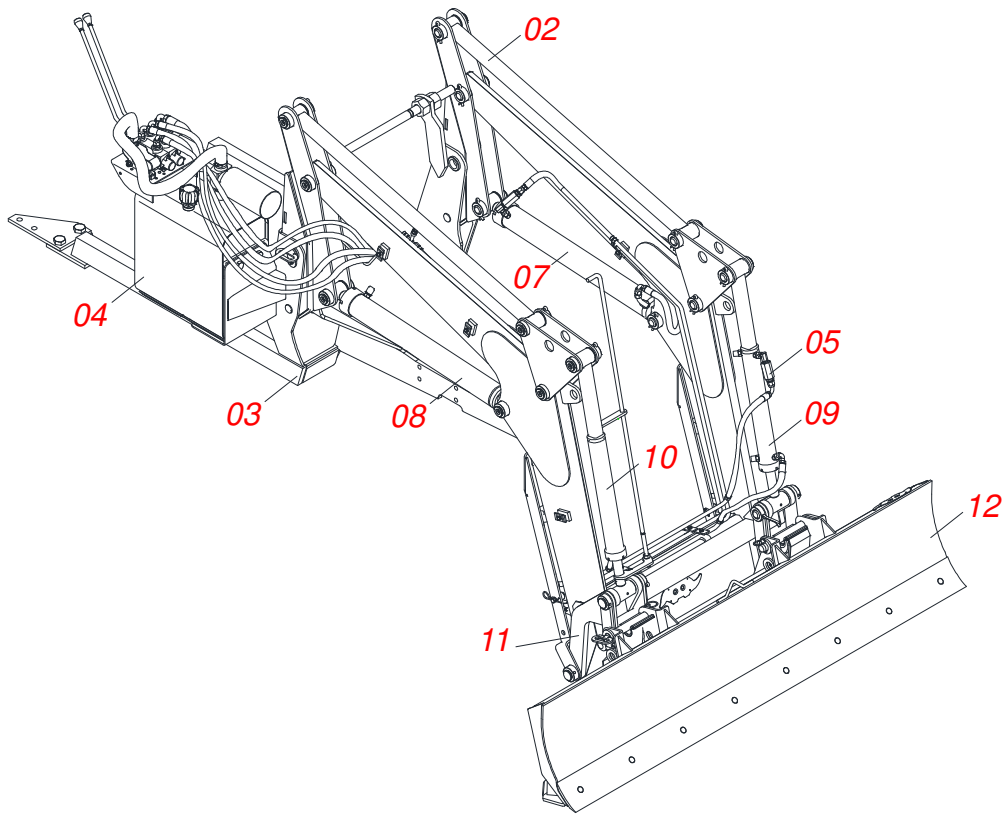
Code	Description
0106111121	PCA-T 1500 VTR BL77-4 SHTCD S-0808

## ATTENTION: **IMPORTANT**

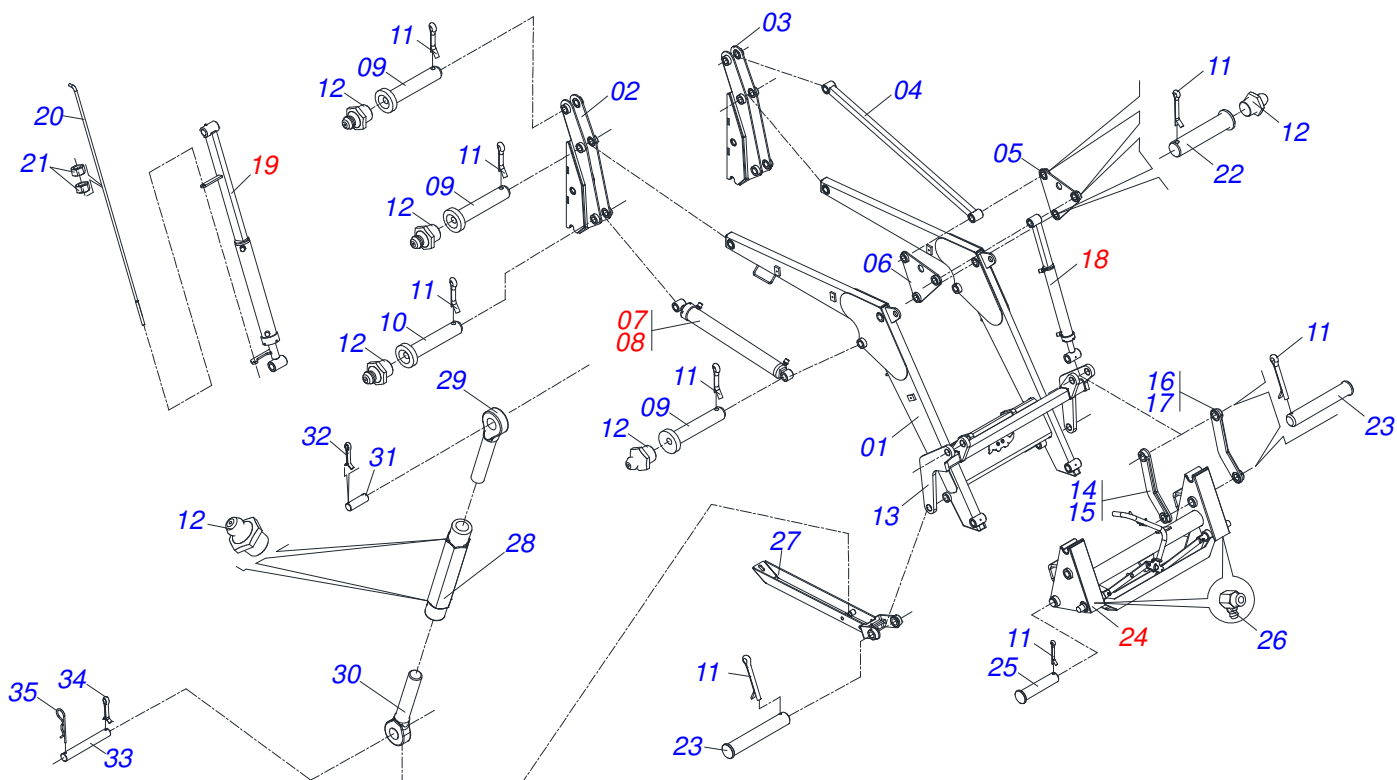
MARCHESAN S/A RESERVES THE RIGHT AT ANY TIME TO MAKE IMPROVEMENTS IN THE DESIGN, MATERIAL OR SPECIFICATIONS OF MACHINERY, EQUIPMENT OR PARTS WITHOUT THEREBY BECOMING LIABLE TO MAKE SIMILAR CHANGES IN MACHINERY, EQUIPMENT OR PARTS PREVIOUSLY SOLD.

# INDEX

0106111121	PCA-T 1500 VTR BL77-4 SHTCD S-0808	.....	1
0511048064	MOBILE SUPPORT ASSY	.....	2
0909093499	CHASIS COMPLETO	.....	3
0909093505	HYDR CIRCUIT VTR	.....	4
0501059178	HOSE SET MOBILE SUPPORT	.....	5
0521040136	DRIVE SHAFT	.....	6
0511057977	1.7" X 15.9" X 19" X 2.4" HYDRAULIC CYLINDER	.....	7
0511057978	19" X 2.4" HYDRAULIC CYLINDER	.....	8
0511058417	19" X 2.4" HYDRAULIC CYLINDER	.....	9
0511058418	HYDRAULIC CYLINDER	.....	10
0511047775	ARTICULATION ASSY	.....	11
0511047776	LDA 2400	.....	12
0501053834	QUICK CONECTION (MALE) 1/2	.....	13
0501053835	FEMALE QUICK COUPLER	.....	14



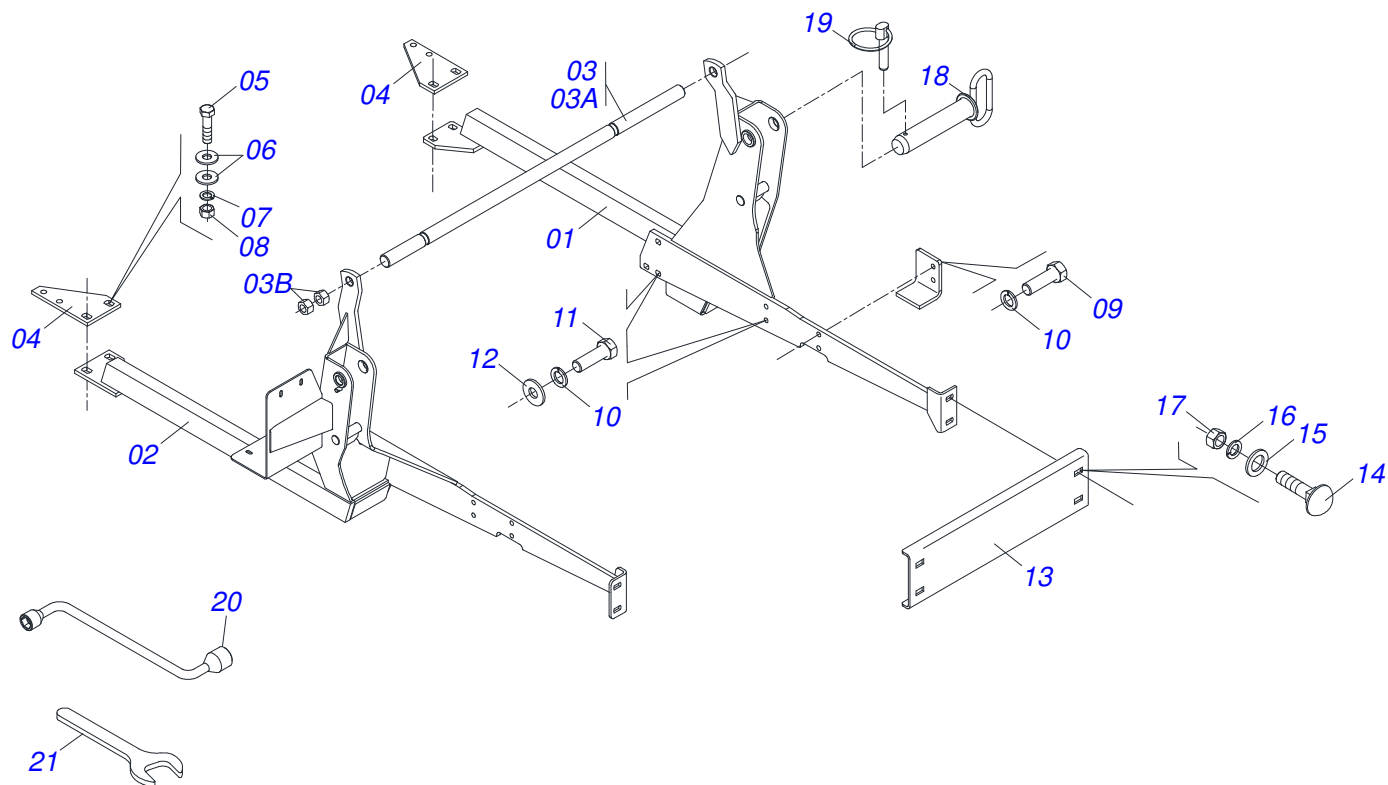
Item	Code	Description	QT
001	0106111121	PCA-T 1500 VTR BL77-4 SHTCD S-0808	
002	0511048064	MOBILE SUPPORT ASSY	
003	0909093499	CHASIS COMPLETO	
004	0909093505	HYDR CIRCUIT VTR	
005	0501059178	HOSE SET MOBILE SUPPORT	
006	0521040136	DRIVE SHAFT	
007	0511057977	1.7" X 15.9" X 19" X 2.4" HYDRAULIC CYLINDER	
008	0511057978	19" X 2.4" HYDRAULIC CYLINDER	
009	0511058417	19" X 2.4" HYDRAULIC CYLINDER	
010	0511058418	HYDRAULIC CYLINDER	
011	0511047775	ARTICULATION ASSY	
012	0501053834	QUICK CONECTION (MALE) 1/2	
013	0501053835	FEMALE QUICK COUPLER	



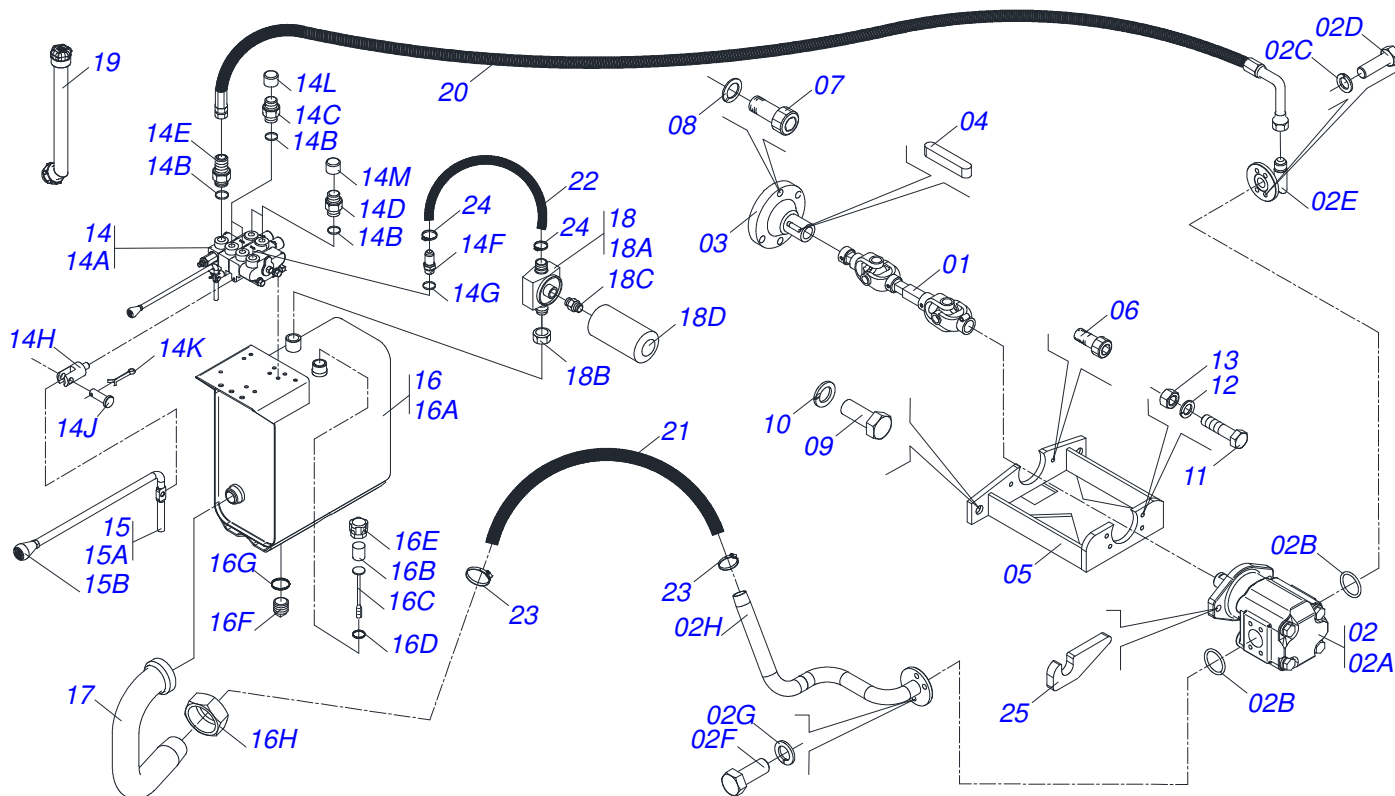
Item	Code	Description	QT
01	0521060488	MOBILE SUPPORT PCA	01
02	0502012577	MOBILE TOWER, RIGHT	01
03	0502012576	MOBILE TOWER, LEFT	01
04	0521060482	COPIER ARM	02
05	0521060481	ARTICULATION	02
06	0521060480	ARTICULATION	02
07	0511057977	1.7" X 15.9" X 19" X 2.4" HYDRAULIC CYLINDER	01
08	0511057978	19" X 2.4" HYDRAULIC CYLINDER	01
09	0561011942	COUPLING SHAFT	08
10	0561011941	COUPLING SHAFT	02
11	0503010073	3/8 X 3-1/2 COTTERPIN	22
12	0503010002	1800 GREASE FITTING	18
13	0511066079	LARGER COPY	01
14	0521060477	COPIER LOWER LEFT ARM	01
15	0521060478	COPIER ARM	01
16	0511066120	LEFT SMALLER COPY	01
17	0511066123	SMALLER COPY	01
18	0511058418	HYDRAULIC CYLINDER	01
19	0511058417	19" X 2.4" HYDRAULIC CYLINDER	01
20	0561012100	ROD REGULACION	01
21	0503010013	5/8" NUT	02
22	0561011942	COUPLING SHAFT	12
23	0561011939	JUNCTION AXLE	06
24	0511047775	ARTICULATION ASSY	01
25	0561011940	COUPLING SHAFT	02
26	0503010003	1845 GREASE FITTING	02
27	0511066078	PLOUGH SUPPORT	02
28	0502012530	REGULATOR NUT BODY R1 PCA	02
29	0502012562	LEFT SPINDLE R1 X 160 PCA	02
30	0502012529	RIGHT SPINDLE R1 X 160	02
31	0561015578	3/4 X 56 PCA VTR A750 COUPLING SHAFT	02
32	0503010300	5/32" X 1" COTTERPIN	04
33	0521012777	COUPLING SHAFT	02



Item	Code	Description	QT
34	0503010071	3/16" X 1" COTTERPIN	02
35	0503030012	HAIR PIN	02



Item	Code	Description	QT
01	0511065334	RIGHT FRAME	01
02	0511065335	LEFT FRAME	01
03	0501040954	1.1/4" NC X 760 ROD	01
03A	0501010628	1.1/4" X 760 ROD	01
03B	0501010087	1.1/4" NUT	02
04	0521013656	BRACKET FIXER LEFT/RIGHT	02
05	0501010500	3/4"X3"BOLT	04
06	0501010322	FLAT WASHER	08
07	0503010023	SPRING WASHER	04
08	0503010014	3/4" NUT	04
09	0503011730	M16 X 2 X 60 BOLT	04
10	0503010027	SPRING WASHER	16
11	0503011188	M16 X 2 X 50 BOLT	12
12	0501012140	FLAT WASHER	12
13	0541011011	FRONT PROTECTOR PUMP	01
14	0503012407	5/8" X 1-1/2" BOLT	04
15	0501012140	FLAT WASHER	04
16	0503010027	SPRING WASHER	04
17	0503010013	5/8" NUT	04
18	0511064616	1.5" X 6.9" COUPLING SHAFT	02
19	0503030430	7/16 X 2" PIN LOCK	02
20	0501068213	5/8" WRENCH DOUBLE	01
21	0511010153	2-5/16" FIXED WRENCH	01



Item	Code	Description	QT
01	0521040136	DRIVE SHAFT	01
02	0521040134	GEAR PUMP ASSY KEYED SHAFT	01
02A	0503062013	H40 PUMP SHAFT 1 CHV	01
02B	0503010173	2-220 N 3006-9B O'RING	02
02C	0503010180	7/16" SPRING WASHER	04
02D	0503010355	7/16" X 1" BOLT	04
02E	0501067702	PUMP PRESSURE TUBE	01
02F	0503010025	3/8 SPRING WASHER	04
02G	0503011087	3/8" X 1" BOLT	04
02H	0521063473	PUMP SUCTION TUBE	01
03	0521016647	FLANGE COUPLING	01
04	0503031031	1/4" KEYWAY SQUARE	02
05	0511061456	PUMP SUPPORT	01
06	0503010728	M10 X 1.2" BOLT	02
07	0503011313	M 8 X 1,25 X 50 BOLT	04
08	0503010025	3/8 SPRING WASHER	04
09	0503011188	M16 X 2 X 50 BOLT	02
10	0503010027	SPRING WASHER	02
11	0503011082	C1/2" X 1.3/4" BOLT	02
12	0503010019	1/2" SPRING WASHER	02
13	0503010060	1/2" NUT	02
14	0511049225	DOUBLE COMMAND ASSY	01
14A	0503060079	3/8" DOUBLE COMMAND VALVE	01
14B	0503010045	2-116 N 3006-9B O'RING	06
14C	0541015143	7/8"UNF X 1/2"NPT NIPPLE	02
14D	0561019919	7/8"UNF NIPPLE	02
14E	0561017988	VALVE PRESSURE TUBE	01
14F	0501010590	7/8" REDUCTION NIPPLE	02
14G	0503011108	2-112 O'RING	01
14H	0503011050	LOWER LEVER	02
14I	0503010337	5/16" NUT	02
14J	0521010532	0.3" X 0.9" COUPLING SHAFT	02
14K	0503010140	1/8" X 3/4" COTTERPIN	02

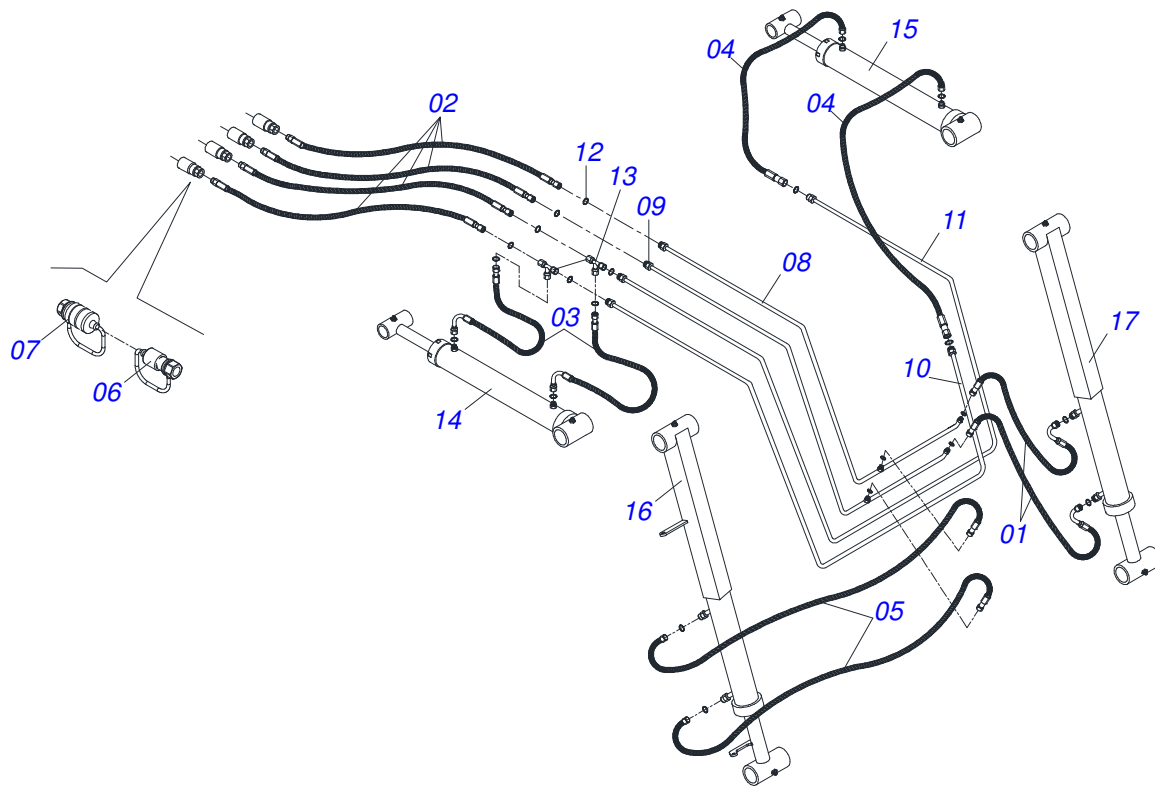




## HYDR CIRCUIT VTR

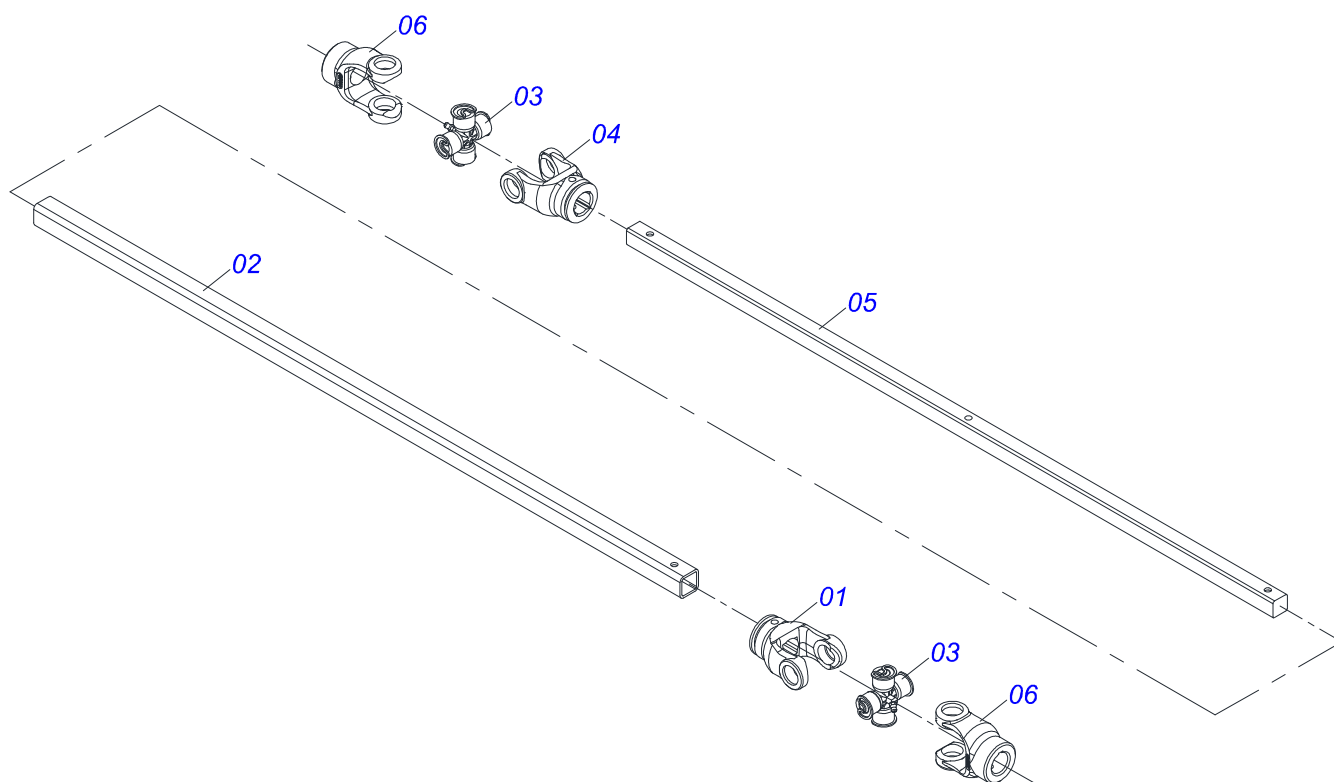
0909093505

Item	Code	Description	QT
14L	0503030385	PLUG	05
14M	0503030387	PLUG	02
15	0501047852	CONTROL VALVE (PD V 118 SHT)	02
15A	0501069069	CONTROL VALVE (V 985-4/AX 4.75)	01
15B	0503030878	LEVER CRANK	01
16	0511042276	COMPLETE OIL RESERVOIR	01
16A	0511065085	RESERVOIR OIL	01
16B	0503030044	FILTERING ELEMENT	01
16C	0501060975	OIL GAGE	01
16D	0503010185	2-221 N 3006-9B O'RING	01
16E	0502020472	FRONTAL COVER	01
16F	0503031604	1/2" BSP PLUG	01
16G	0503010046	2-216 N 3006-9B O'RING	01
16H	0501016309	2" 1X 2.5/16" NUT	01
17	0501063383	TANK OUTER TUBE	01
18	0501041108	RETURNING FILTER ASSY	01
18A	0502050002	RETURNING FILTER HEAD	01
18B	0501010594	1" NUT	01
18C	0501010595	1" NF NIPPLE	01
18D	0503010183	RETURNING FILTER	01
18E	0503030011	PLASTIC BAG	01
19	0501043022	TANK COVER EXTENSION	01
20	0501080705	3/4" X 118" TR-TC HOSE	01
21	0501010613	1 X 650 AB-AB HOSE	01
22	0501011012	1-1/4" X 65" AB-AB HOSE	01
23	0503010243	CLAMP	02
24	0503010184	CLAMP	02
25	0561015241	CHOCK PUMP SUPPORT SUPPORT	02

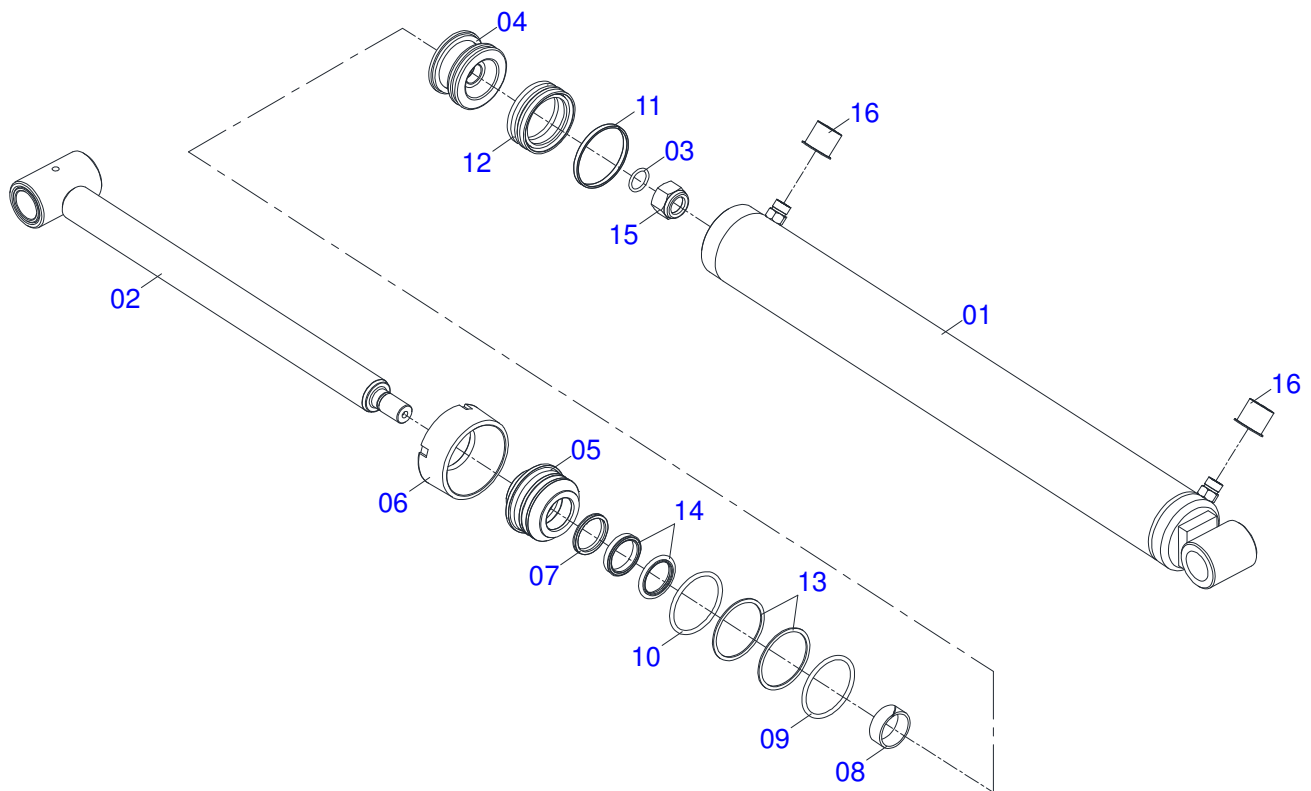


Item	Code	Description	QT
001	0501080970	1/2" X 23.6" TR-TC OFS HOSE	02
002	0501081477	1/2" X 1450 TR-TM HOSE	04
003	0501080969	1/2" X 750 TR-TC OFS HOSE	02
004	0501081584	HOSE 1/2 X	02
005	0501081084	HOSE	02
006	0501053834	QUICK CONECTION (MALE) 1/2	06
007	0501053835	FEMALE QUICK COUPLER	02
008	0521060500	SMALLE TUBE	01
009	0521060501	SMALLE TUBE	01
010	0521060502	LARGER TUBE	01
011	0521060503	LARGER TUBE	02
012	0503010173	2-220 N 3006-9B O'RING	10
013	0503030964	T CONNECTOR	02
014	0511057977	1.7" X 15.9" X 19" X 2.4" HYDRAULIC CYLINDER	01
015	0511057978	19" X 2.4" HYDRAULIC CYLINDER	01
016	0511058417	19" X 2.4" HYDRAULIC CYLINDER	01
017	0511058418	HYDRAULIC CYLINDER	01

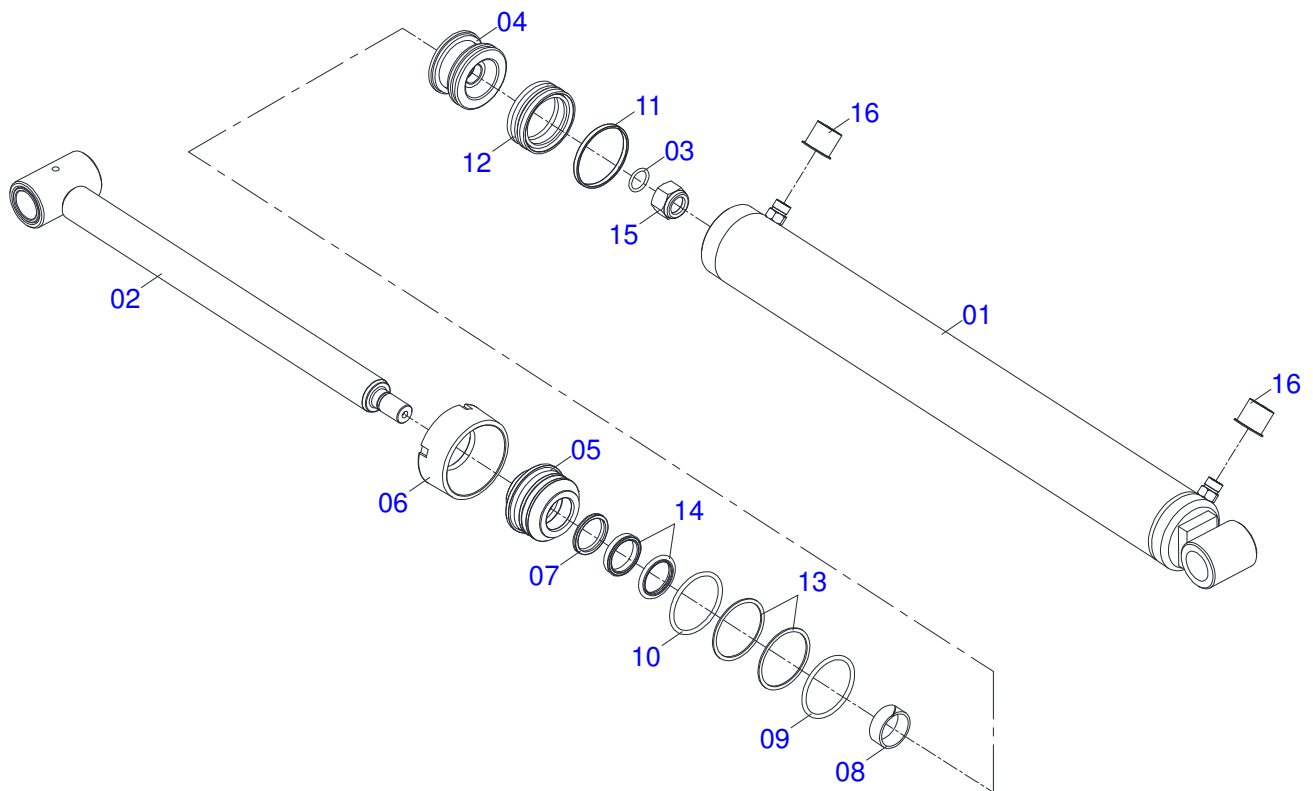
DRIVE SHAFT



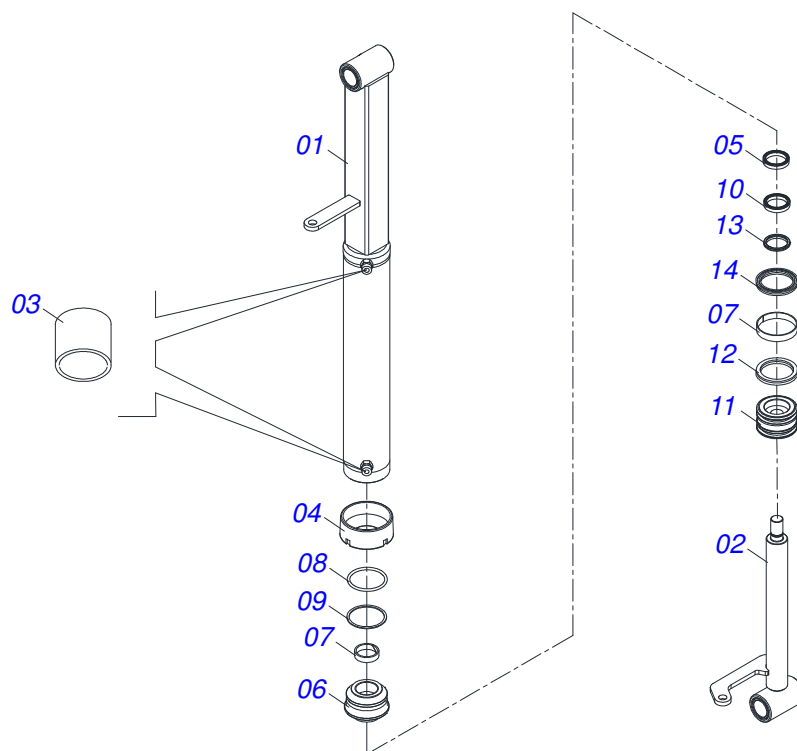
Item	Code	Description	QT
01	0503017426	28,65 TERMINAL	01
02	0503017427	SQUARE TUBE	01
03	0503014639	CROSSPIECE	02
04	0503017428	TERMINAL W/HOLE SQUARE	01
05	0503017429	SQUARE BAR	01
06	0503017430	CC 13 TERMINAL	02



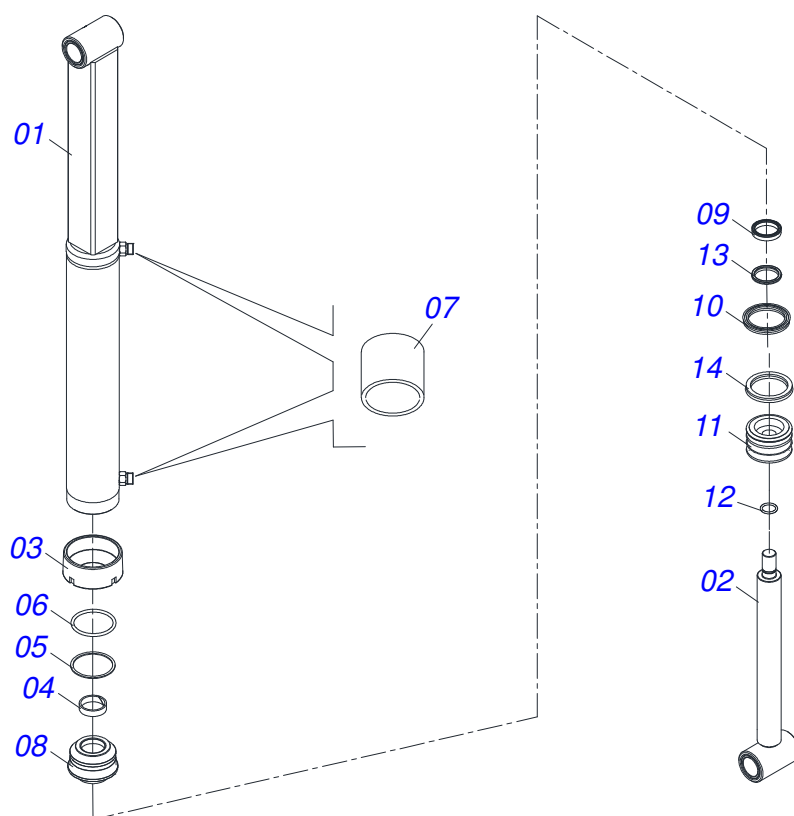
Item	Code	Description	QT
001	0521060491	CYLINDER CASE	01
002	0521060492	TURNBUCKLE	01
003	0503010042	2-214 N 3006-9B O'RING	01
004	0571019710	1.7" X 3.4" PISTON	01
005	0571019711	RING SUPPORT	01
006	0571019709	DETACHABLE COVER	01
007	0503010761	D-1750 SCRAPER RING	01
008	0503017937	GASKET	01
009	0503017938	RING GUIDE	01
010	0503017936	RING	01
011	0503018144	RING	01
012	0503017935	RING	01
013	0503017939	2-337 N 3006-9B O' RING	02
014	0503017940	8-337 BACK-UP RING	02
015	0503010063	1" SELF-ALIGNING NUT	01
016	0503030387	PLUG	02



Item	Code	Description	QT
001	0521060493	CYLINDER CASE	01
002	0521060492	TURNUCKLE	01
003	0503010042	2-214 N 3006-9B O'RING	01
004	0571019710	1.7" X 3.4" PISTON	01
005	0571019711	RING SUPPORT	01
006	0571019709	DETACHABLE COVER	01
007	0503010761	D-1750 SCRAPER RING	01
008	0503017937	GASKET	01
009	0503017938	RING GUIDE	01
010	0503017936	RING	01
011	0503018144	RING	01
012	0503017935	RING	01
013	0503017939	2-337 N 3006-9B O' RING	02
014	0503017940	8-337 BACK-UP RING	02
015	0503010063	1" SELF-ALIGNING NUT	01
016	0503030387	PLUG	02

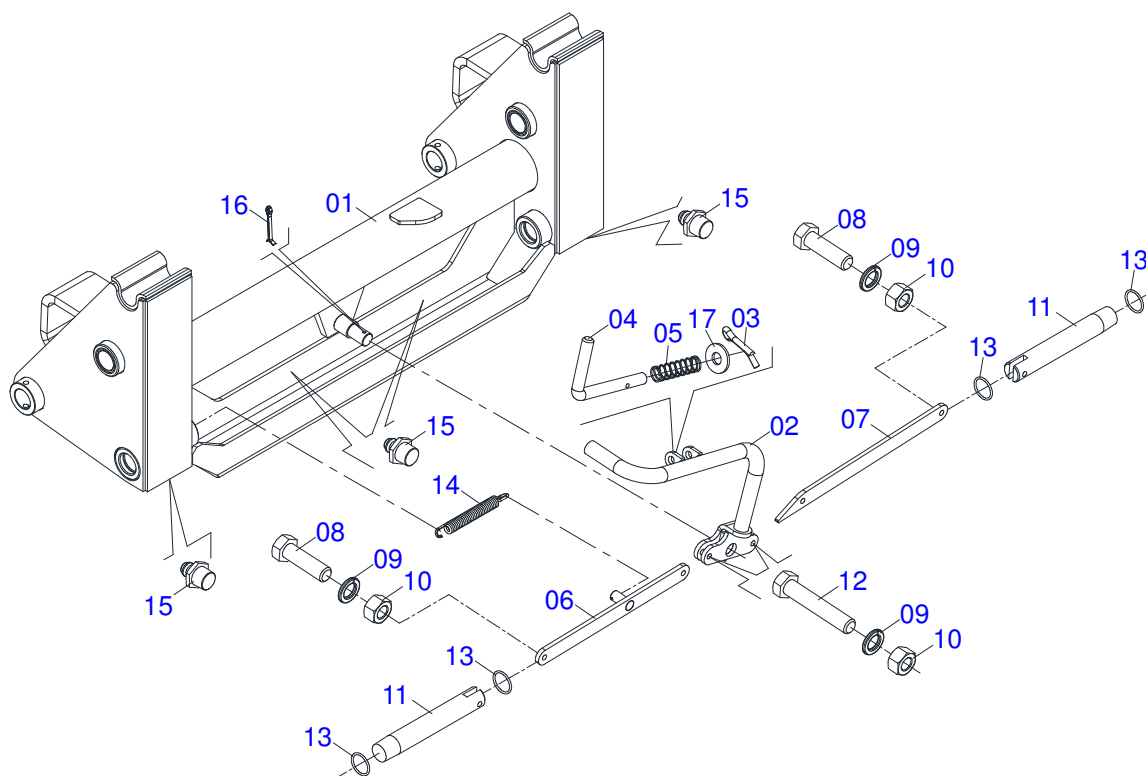


Item	Code	Description	QT
001	0521060475	CYLINDER CASE	01
002	0521066628	38,10 X 712 TURNBUCKLE	01
003	0503030385	PLUG	02
004	0502010471	MOBILE COVER	01
005	0503011058	8-330 BACK-UP RING	01
006	0571019866	RING SUPPORT	01
007	0503010163	D-1500 SCRAPER RING	01
008	0503018004	RING	01
009	0503010161	2-330 N 3006 9B O'RING	01
010	0503018003	GASKET	01
011	0502012837	PISTON	01
012	0503018005	RING	01
013	0503011109	2-119 N 3006-9B O'RING	01



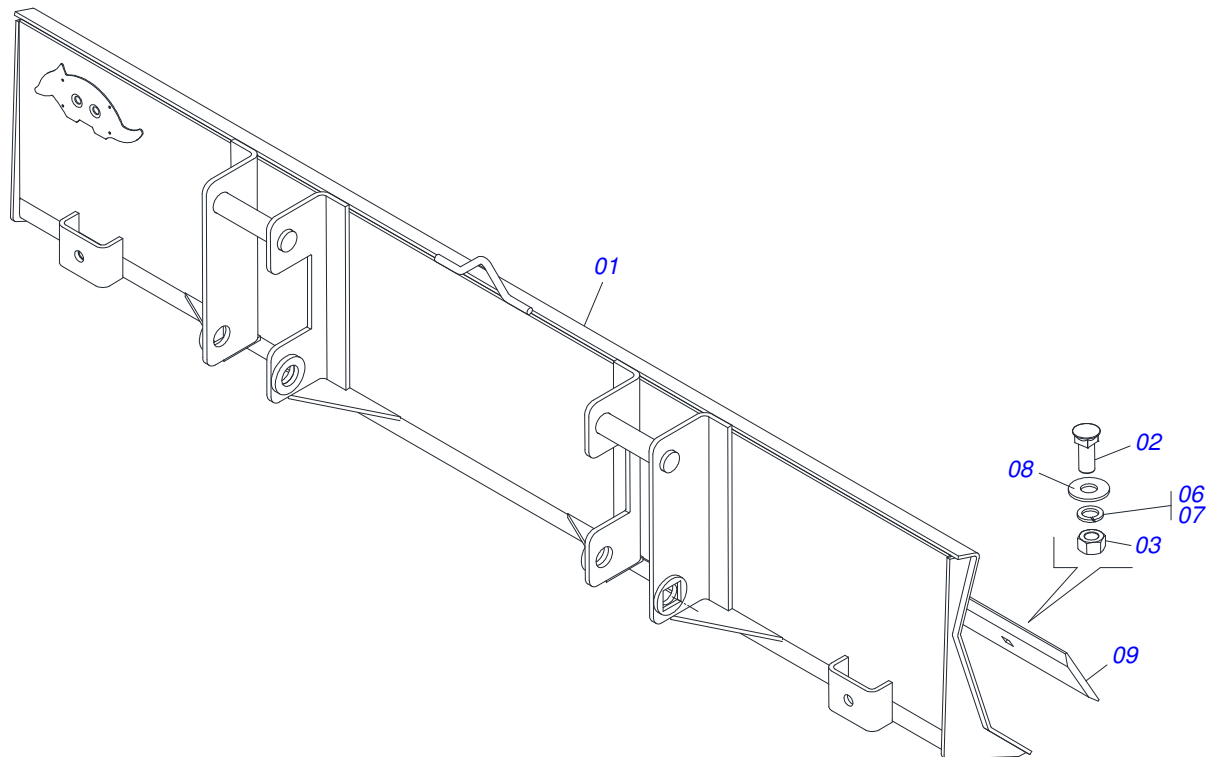
Item	Code	Description	QT
001	0521060474	LH CYLINDER CASE	01
002	0521066629	38,10 X 712 TURNBUCKLE	01
003	0502010471	MOBILE COVER	01
004	0503010163	D-1500 SCRAPER RING	01
005	0503010161	2-330 N 3006 9B O'RING	01
006	0503011058	8-330 BACK-UP RING	01
007	0503030385	PLUG	02
008	0571019866	RING SUPPORT	01
009	0503018004	RING	01
010	0503018003	GASKET	01
011	0502012837	PISTON	01
012	0503018005	RING	01
013	0503011109	2-119 N 3006-9B O'RING	01

ARTICULATION ASSY

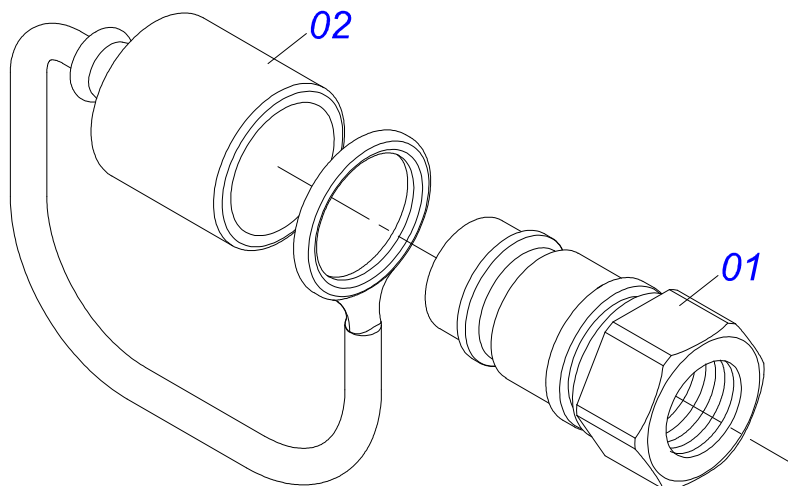


Item	Code	Description	QT
001	0521060485	ARTICULATION	01
002	0521060524	DISARM LEVER	01
003	0503010071	3/16" X 1" COTTERPIN	01
004	0541014962	DISASSEMBLE TRIGGER	01
005	0503032132	COMPRESSION SPRING	01
006	0521060479	BRACO RIGHT MARKER	01
007	0561011923	BRACO ESQUERDO	01
008	0503010849	3/8" X 1-1/2" BOLT	02
009	0503010025	3/8 SPRING WASHER	02
010	0503010026	3/8" NUT	02
011	0541014963	LOCK PIN PCA-T 1750	02
012	0501010096	3/8" X 2" BOLT	02
013	0503010025	3/8 SPRING WASHER	02
014	0503010026	3/8" NUT	02
015	0503010285	2-222 N 3006-9B O'RING	06
016	0503031574	6.9" X 0.8" X 0.1" EXTENSION SPRING	01
017	0503010002	1800 GREASE FITTING	04
018	0503010571	1/4" X 1.1/2 COTTERPIN	01

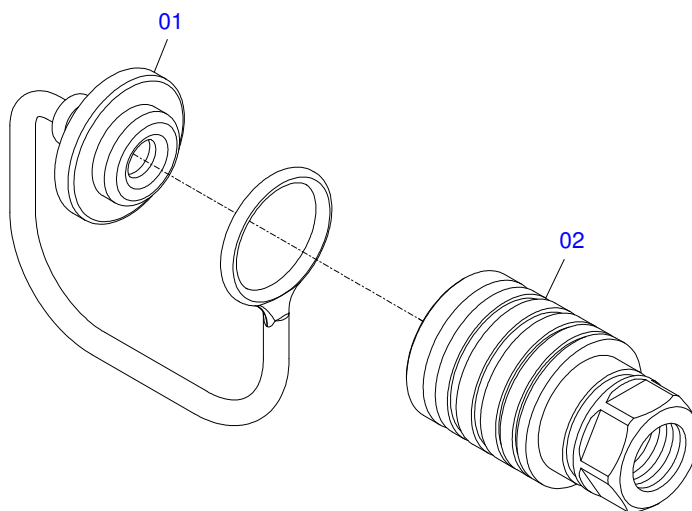




Item	Code	Description	QT
001	0622360016	94.5" SCRAPER REVERSIBLE	01
002	0501012240	5/8" X 2-1/2" BOLT	08
003	0503010013	5/8" NUT	08
004	0503031087	ADHESIVE LABEL	01
005	0503033429	ADHESIVE LABEL	01
006	0503011445	SPRING WASHER	08
007	0503011445	SPRING WASHER	08
008	0501012140	FLAT WASHER	08
009	0521060499	DOZER BLADE	01
010	0503034003	ALUMINUM ID TAG	01
011	0503010001	RIVET POP	04



Item	Code	Description	QT
01	0503011627	QUICK CONNECTION (MALE) AGR 1/2 NPT	01
02	0503011882	QUICK CONNECTION COVER	01



Item	Code	Description	QT
01	0503011883	QUICK CONNECTION COVER	01
02	0503011628	FEMALE QUICK COUPLER	01





**MARCHESAN IMPLEMENTOS E MÁQUINAS AGRÍCOLAS TATU S.A.**

AV. Marchesan, 1979 - Post office box, 131 - CEP 15994-900 - Matão - SP - Brazil

Phone +55 16.3382-8282

(FAX Parts) + 55 16.3382. 8297 - (Export) + 55 16.3382.1003

e.mail: [tatu@marchesan.com.br](mailto:tatu@marchesan.com.br) [www.marchesan.com.br](http://www.marchesan.com.br)

**Technical Publications: Elaboration**

LUIZ CANDIDO

**Technical Publications: Revision**

LUIZ CANDIDO

*Contact Catálogo:*

*E-mail = [jgaspari@marchesan.com.br](mailto:jgaspari@marchesan.com.br)*

**ORIGINAL PARTS  
TATU**

