

PCA T | PCA PLUS - AGRICULTURAL FRONT LOADER

PCA-T 1500 VALTRA A950 SHT/CD/PAC/LDA

Code: 0501092004
Series: S-0811
Revision: 00
Date Revision: SETEMBRO/2017

PARTS CATALOGUE



MARCHESAN



PRODUCTS

Code	Description
0106111282	PCA-T 1500 VTR A950SHTCDPAC/LDAS811

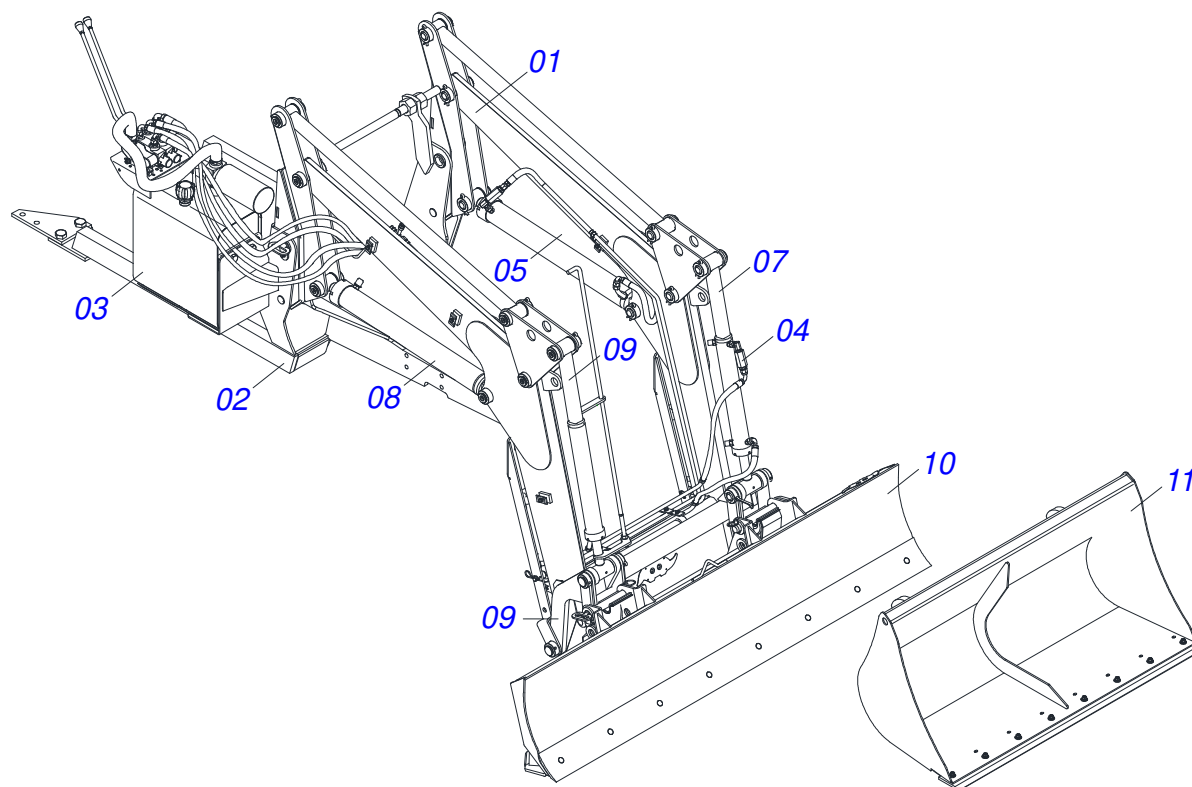
ATTENTION: IMPORTANT

Marchesan S.A. reserves the right to improve and/or modify the technical features of its products, without obligation to do the same with those products already sold and without prior knowledge of the dealer or the consumer. The photos are only illustrative.

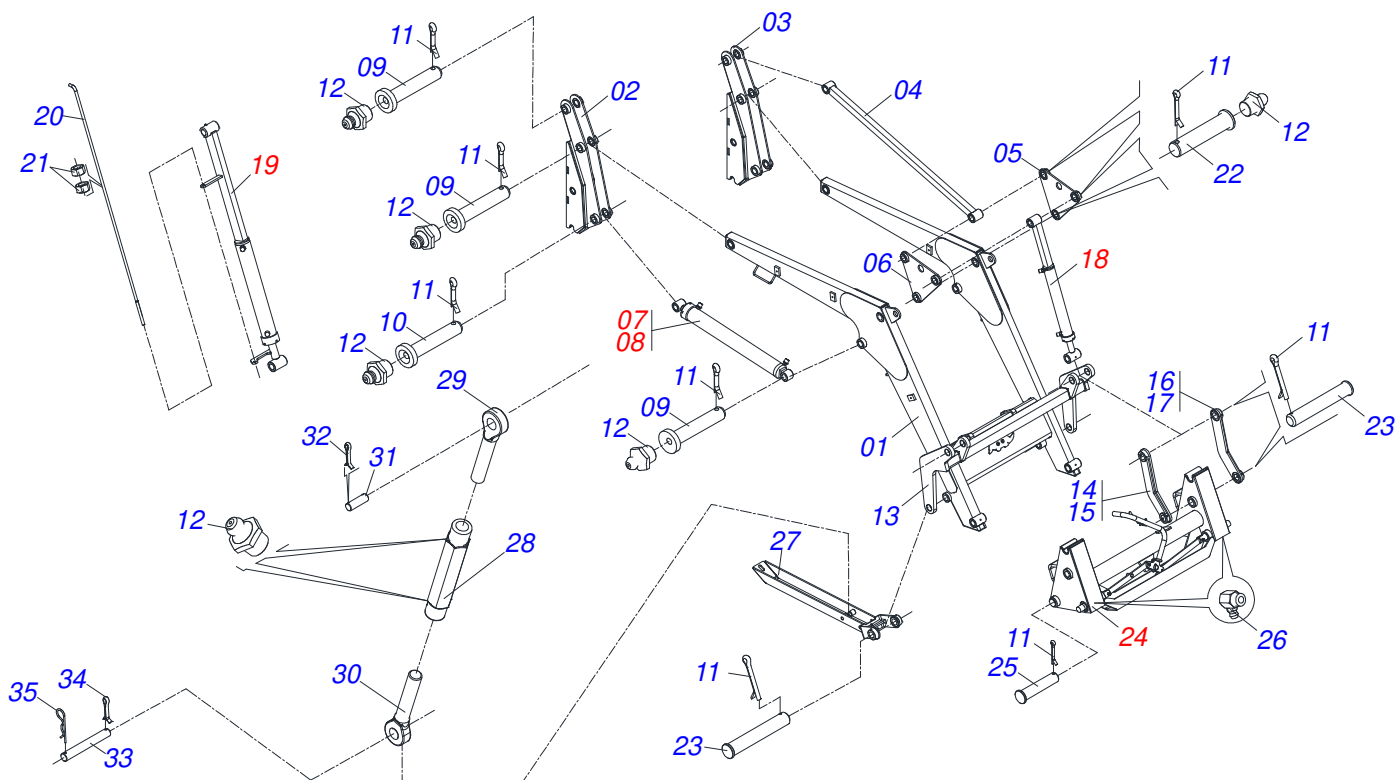


INDEX

0106111282	PCA-T 1500 VTR A950SHTCDPAC/LDA	1
0511048064	MOBILE SUPPORT ASSY	2
0909093524	ASSY FRAME	3
0909093528	HYDR CIRCUIT VTR	4
0501059178	HOSE SET MOBILE SUPPORT	5
0521040136	DRIVE SHAFT	6
0511057977	1.7" X 15.9" X 19" X 2.4" HYDRAULIC CYLINDER	7
0511057978	19" X 2.4" HYDRAULIC CYLINDER	8
0511058417	19" X 2.4" HYDRAULIC CYLINDER	9
0511058418	HYDRAULIC CYLINDER	10
0511047775	ARTICULATION ASSY	11
0511047776	LDA 2400	12
0511047736	PCA-T 1700 VTR	13



Item	Code	Description	See page	QT
001	0511048064	MOBILE SUPPORT ASSY	2	01
002	0909093524	ASSY FRAME	3	01
003	0909093528	HYDR CIRCUIT VTR	4	01
004	0501059178	HOSE SET MOBILE SUPPORT	5	01
005	0511057977	1.7" X 15.9" X 19" X 2.4" HYDRAULIC CYLINDER	7	01
006	0511057978	19" X 2.4" HYDRAULIC CYLINDER	8	01
007	0511058417	19" X 2.4" HYDRAULIC CYLINDER	9	01
008	0511058418	HYDRAULIC CYLINDER	10	01
009	0511047775	ARTICULATION ASSY	11	01
010	0511047776	LDA 2400	12	01
011	0511047736	PCA-T 1700 VTR	13	01



Item	Code	Description	See page	QT
01	0521060488	MOBILE SUPPORT PCA		01
02	0502012577	MOBILE TOWER, RIGHT		01
03	0502012576	MOBILE TOWER, LEFT		01
04	0521060482	COPIER ARM		02
05	0521060481	ARTICULATION		02
06	0521060480	ARTICULATION		02
07	0511057977	1.7" X 15.9" X 19" X 2.4" HYDRAULIC CYLINDER	7	01
08	0511057978	19" X 2.4" HYDRAULIC CYLINDER	8	01
09	0561011942	COUPLING SHAFT		08
10	0561011941	COUPLING SHAFT		02
11	0503010073	3/8 X 3-1/2 COTTERPIN		22
12	0503010002	1800 GREASE FITTING		18
13	0511066079	LARGER COPY		01
14	0521060477	COPIER LOWER LEFT ARM		01
15	0521060478	COPIER ARM		01
16	0511066120	LEFT SMALLER COPY		01
17	0511066123	SMALLER COPY		01
18	0511058418	HYDRAULIC CYLINDER	10	01
19	0511058417	19" X 2.4" HYDRAULIC CYLINDER	9	01
20	0561012100	ROD REGULACION		01
21	0503010013	5/8" NUT		02
22	0561011942	COUPLING SHAFT		12
23	0561011939	JUNCTION AXLE		06
24	0511047775	ARTICULATION ASSY	11	01
25	0561011940	COUPLING SHAFT		02
26	0503010003	1845 GREASE FITTING		02
27	0511066078	PLOUGH SUPPORT		02
28	0502012530	REGULATOR NUT BODY R1		02
29	0502012562	LEFT SPINDLE R1 X 160		02
30	0502012529	RIGHT SPINDLE R1 X 160		02
31	0561015578	3/4 X 56 PCA VTR A750 COUPLING SHAFT		02

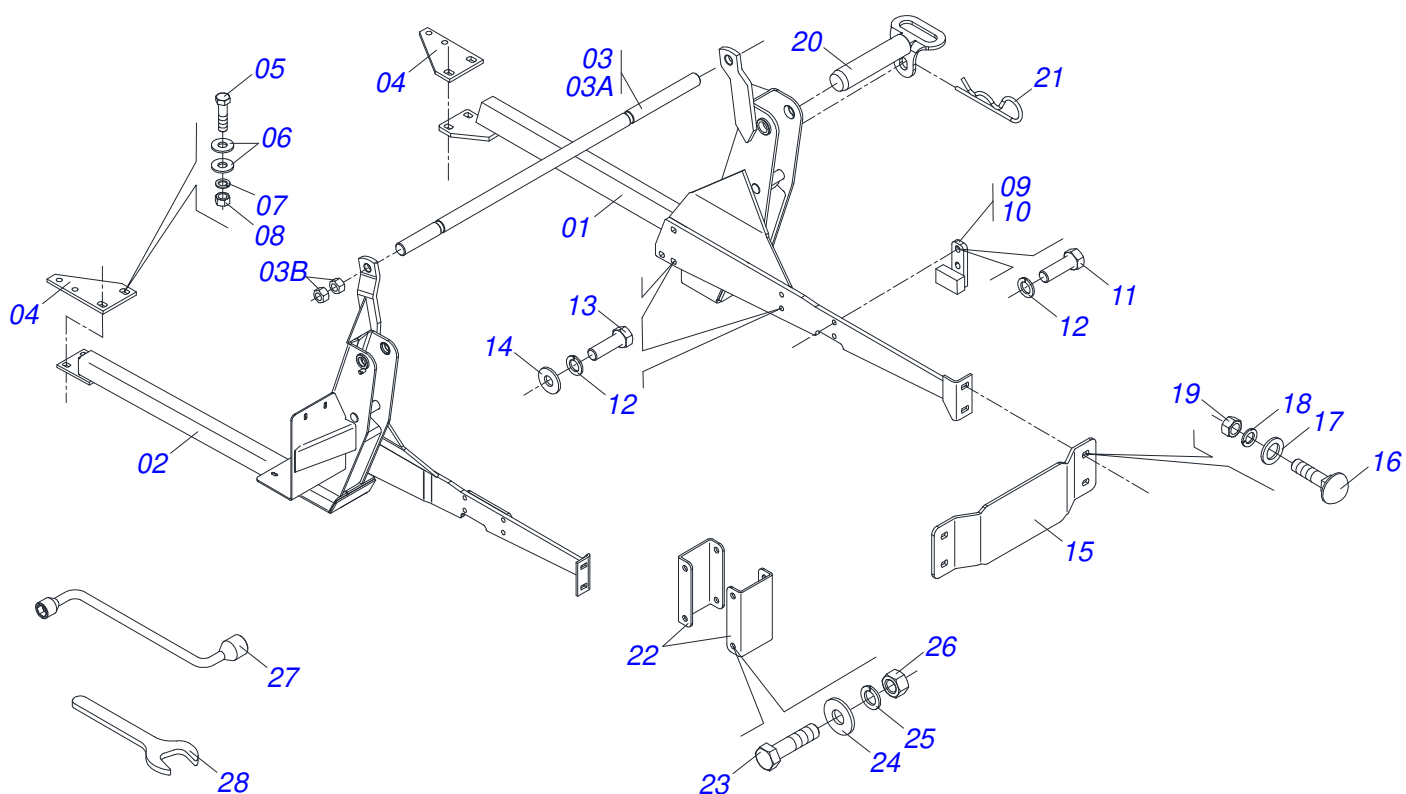


MOBILE SUPPORT ASSY

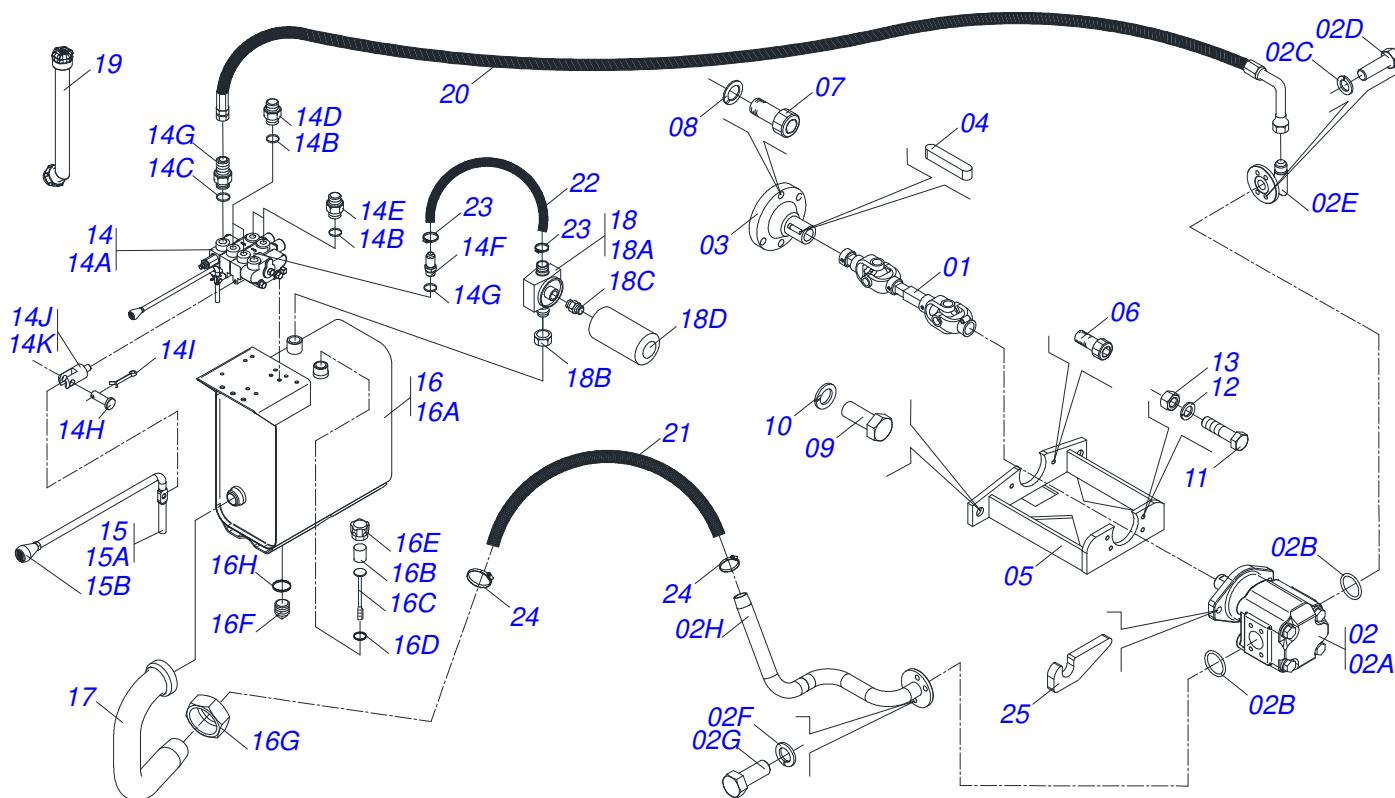
0511048064

Item	Code	Description	See page	QT
32	0503010300	5/32" X 1" COTTERPIN		04
33	0521012777	COUPLING SHAFT		02
34	0503010071	3/16" X 1" COTTERPIN		02
35	0503030012	HITCH PIN CLIP		02

ASSY FRAME



Item	Code	Description	See page	QT
01	0521062420	RIGHT FRAME		01
02	0521062421	RIGHT FRAME		01
03	0501041849	ASSY 1.1/4 NC X 910 ROD		01
03A	0501014914	1.1/4" X 910 ROD		01
03B	0501010087	1.1/4" NUT		04
04	0521013656	BRACKET FIXER LEFT/RIGHT		02
05	0501010500	3/4"X3"BOLT		04
06	0501010322	FLAT WASHER		08
07	0503010023	3/4" SPRING WASHER		04
08	0503010014	3/4" NUT		04
09	0511065101	RIGHT BEATER		01
10	0511065102	LEFT BEATER		01
11	0503013276	M16 X 2 X 70 BOLT		04
12	0503010027	5/8" SPRING WASHER		16
13	0503011730	M16 X 2 X 60 BOLT		12
14	0501012140	FLAT WASHER		12
15	0561019425	FRONT PROTECTOR PUMP		01
16	0503012407	5/8" X 1-1/2" BOLT		04
17	0501012140	FLAT WASHER		04
18	0503010027	5/8" SPRING WASHER		04
19	0503010013	5/8" NUT		04
20	0521061682	AXLE FIXER		02
21	0503030012	HITCH PIN CLIP		02
22	0561014022	STAIR SUPPORT		02
23	0501010161	1/2" X 1.1/4" BOLT		04
24	0511017302	FLAT WASHER		04
25	0503010019	1/2" SPRING WASHER		04
26	0503010060	1/2" NUT		04
27	0501068213	5/8" WRENCH DOUBLE		01
28	0511010153	2-5/16" FIXED WRENCH		01



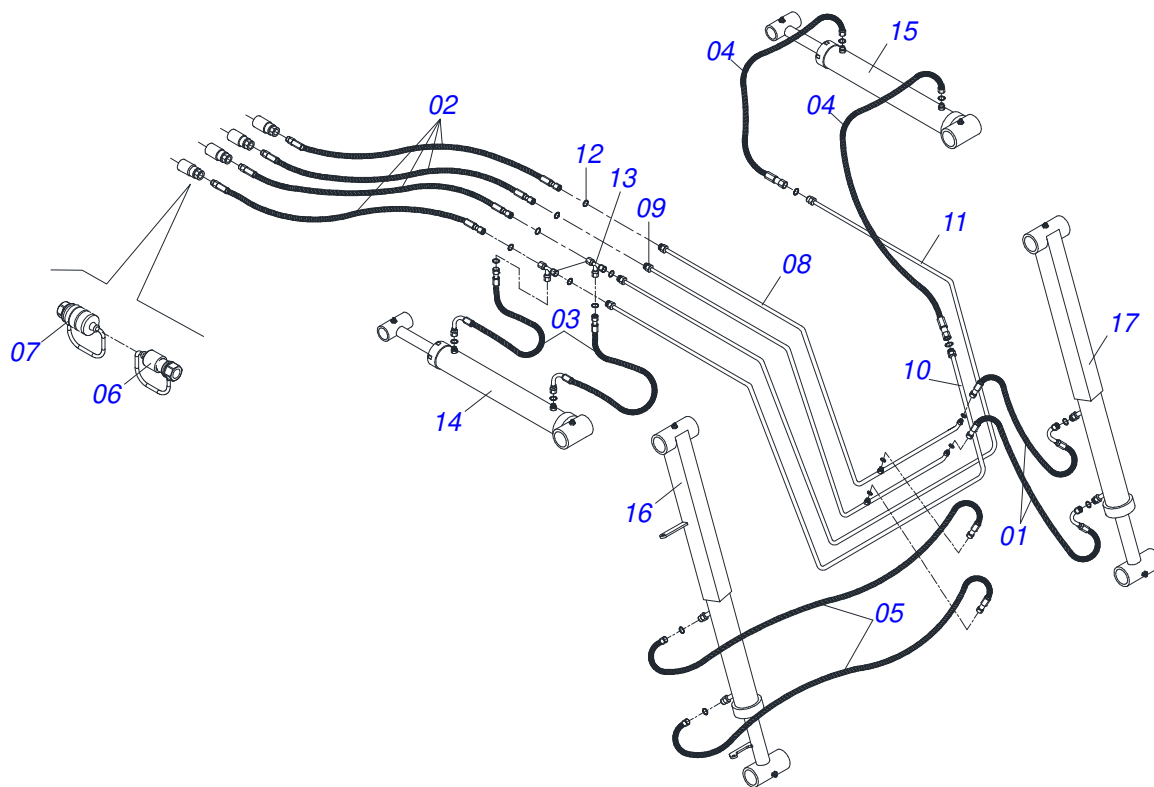
Item	Code	Description	See page	QT
01	0521040136	DRIVE SHAFT	6	01
02	0521040134	GEAR PUMP ASSY KEYED SHAFT		01
02A	0503062013	H40 PUMP SHAFT 1 CHV		01
02B	0503010173	2-220 N 3006-9B O'RING		02
02C	0503010180	7/16" SPRING WASHER		04
02D	0503010355	7/16" X 1" BOLT		04
02E	0501067702	PUMP PRESSURE TUBE		01
02F	0503010025	3/8" SPRING WASHER		04
02G	0503011087	3/8" X 1" BOLT		04
02H	0521063473	PUMP SUCTION TUBE		01
03	0521016647	FLANGE COUPLING		01
04	0503031031	1/4" KEYWAY SQUARE		02
05	0511061456	PUMP SUPPORT		01
06	0503010728	M10 X 1.2" BOLT		02
07	0503011313	M 8 X 1,25 X 50 BOLT		04
08	0503010025	3/8" SPRING WASHER		04
09	0503011188	M16 X 2 X 50 BOLT		02
10	0503010027	5/8" SPRING WASHER		02
11	0503011082	C1/2" X 1.3/4" SCREW		02
12	0503010019	1/2" SPRING WASHER		02
13	0503010060	1/2" NUT		02
14	0511043355	1/2" DOUBLE COMMAND ASSY		01
14A	0503060081	1/2" DOUBLE COMMAND		01
14B	0503010045	O'RING		04
14C	0503011109	2-119 N 3006-9B O'RING		02
14D	0541015143	7/8"UNF X 1/2"NPT NIPPLE		02
14E	0561019919	7/8"UNF NIPPLE		02
14F	0501010591	HOSE NIPPLE		01
14G	0501010589	R. 1.1/16UN SEXT 1.1/4 X 52 NIPPLE		01
14H	0521010532	0.3" X 0.9" COUPLING SHAFT		02
14I	0503010140	1/8" X 3/4" COTTERPIN		02



HYDR CIRCUIT VTR

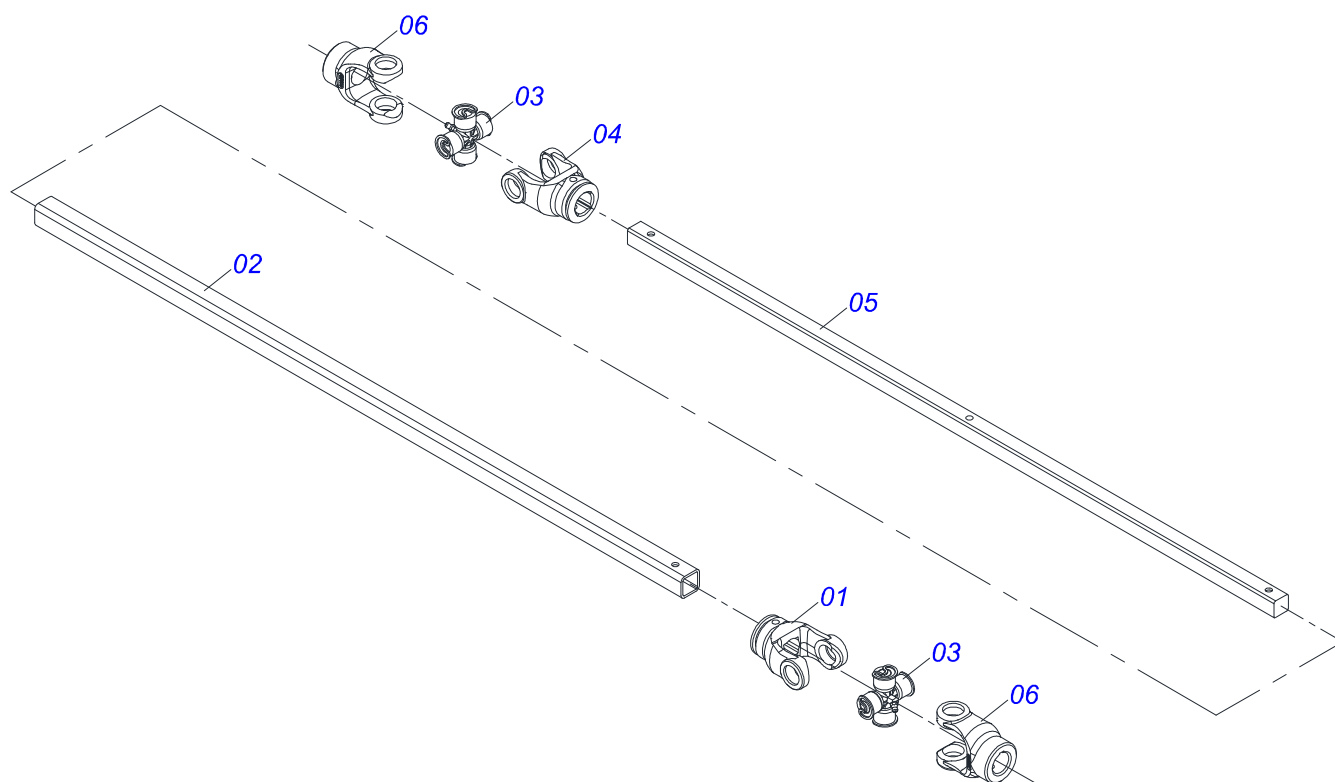
0909093528

Item	Code	Description	See page	QT
14J	0503030385	CYLINDER PLUG N-002		04
14K	0503030388	PLUG N-005		01
15	0501048023	CONTROL VALVE		02
15A	0511060695	CONTROL VALVE		01
15B	0503030878	LEVER CRANK		01
16	0501047575	OIL RESERVOIR ASSY		01
16A	0501068685	OIL RESERVOIR		01
16B	0503030044	FILTERING ELEMENT		01
16C	0501060975	OIL GAGE		01
16D	0503010185	2-221 N 3006-9B O'RING		01
16E	0502020472	FRONTAL COVER		01
16F	0503031604	1/2" BSP PLUG		01
16G	0501016309	2" 1X 2.5/16" NUT		01
16H	0503010046	2-216 N 3006-9B O'RING		01
17	0501063383	TANK OUTER TUBE		01
18	0501041108	RETURNING FILTER ASSY		01
18A	0502050002	RETURNING FILTER HEAD		01
18B	0501010594	1" NUT		01
18C	0501010595	1" NF NIPPLE FITTING		01
18D	0503010183	RETURNING FILTER		01
18E	0503030011	PLASTIC BAG		01
19	0511051801	TANK COVER EXTENSION		01
20	0501081077	3/4" X 3100 TC-TC HOSE ASSY		01
21	0501013822	1" X 25.6" AB-AB HOSE		01
22	0501011012	1-1/4" X 65" AB-AB HOSE		01
23	0503010243	CLAMP		02
24	0503010184	CLAMP		02
25	0561015241	CHOCK PUMP SUPPORT SUPPORT		02

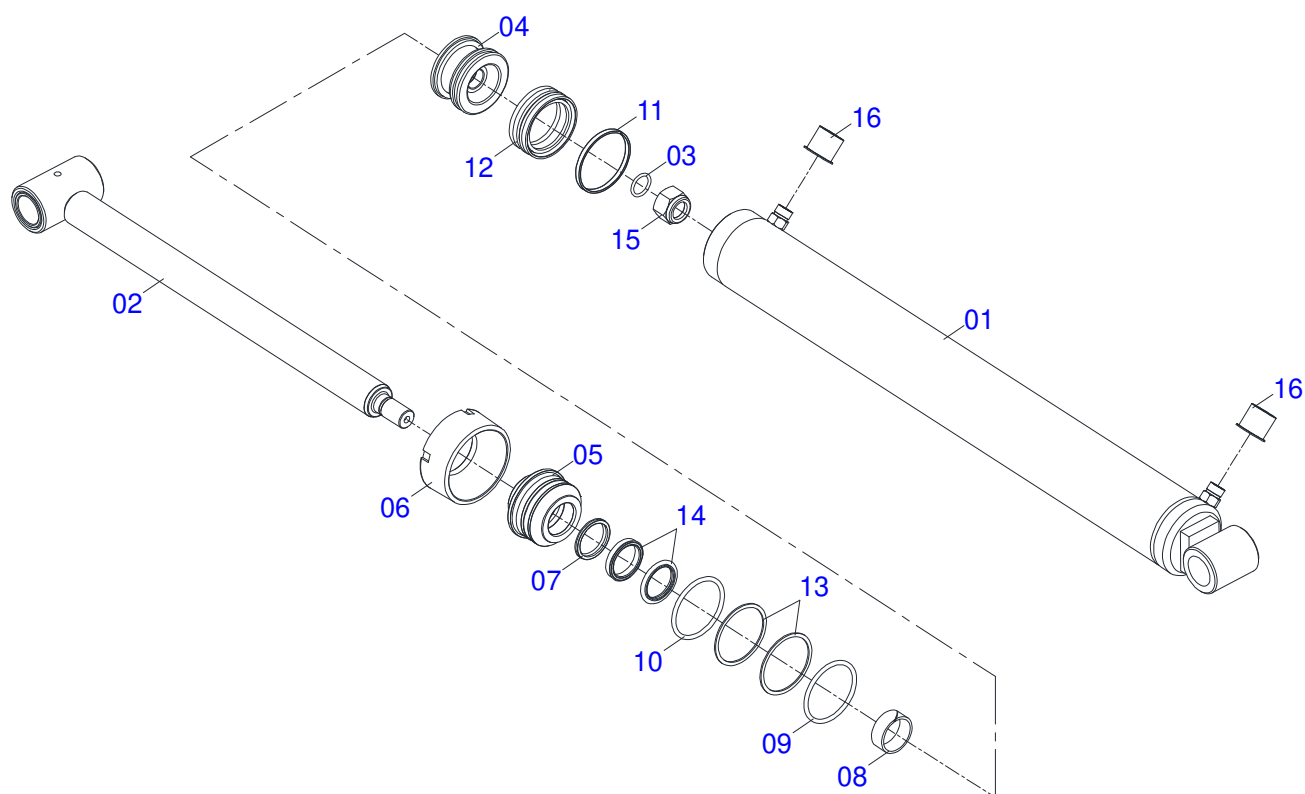


Item	Code	Description	See page	QT
001	0501080970	1/2" X 23.6" TR-TC OFS HOSE		02
002	0501081477	1/2" X 1450 TR-TM HOSE		04
003	0501080969	1/2" X 750 TR-TC OFS HOSE		02
004	0501081584	HOSE 1/2 X		02
005	0501081084	HOSE		02
006	0501053834	MALE QUICK COUPLER		06
007	0501053835	FEMALE QUICK COUPLER		02
008	0521060500	SMALLE TUBE		01
009	0521060501	SMALLE TUBE		01
010	0521060502	LARGER TUBE		01
011	0521060503	LARGER TUBE		02
012	0503010173	2-220 N 3006-9B O'RING		10
013	0503030964	T CONNECTOR		02
014	0511057977	1.7" X 15.9" X 19" X 2.4" HYDRAULIC CYLINDER	7	01
015	0511057978	19" X 2.4" HYDRAULIC CYLINDER	8	01
016	0511058417	19" X 2.4" HYDRAULIC CYLINDER	9	01
017	0511058418	HYDRAULIC CYLINDER	10	01

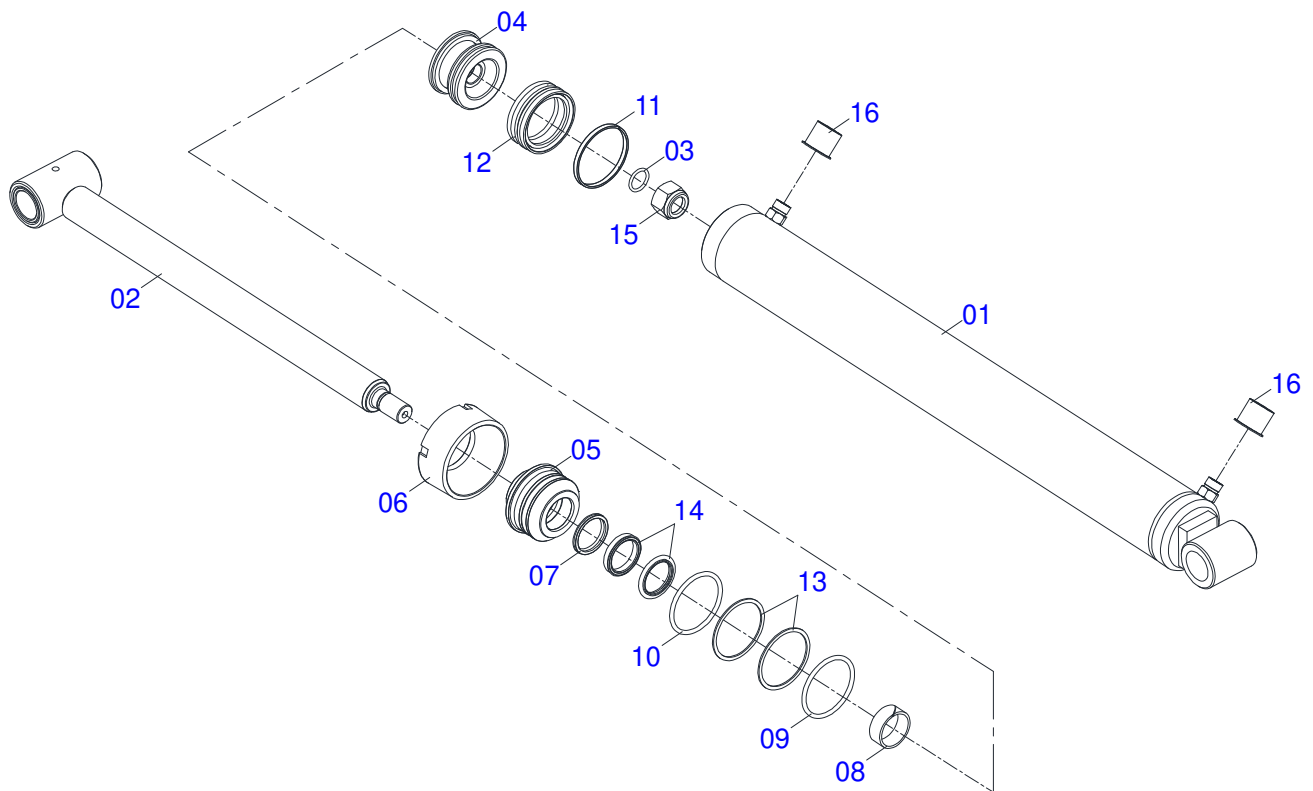
DRIVE SHAFT



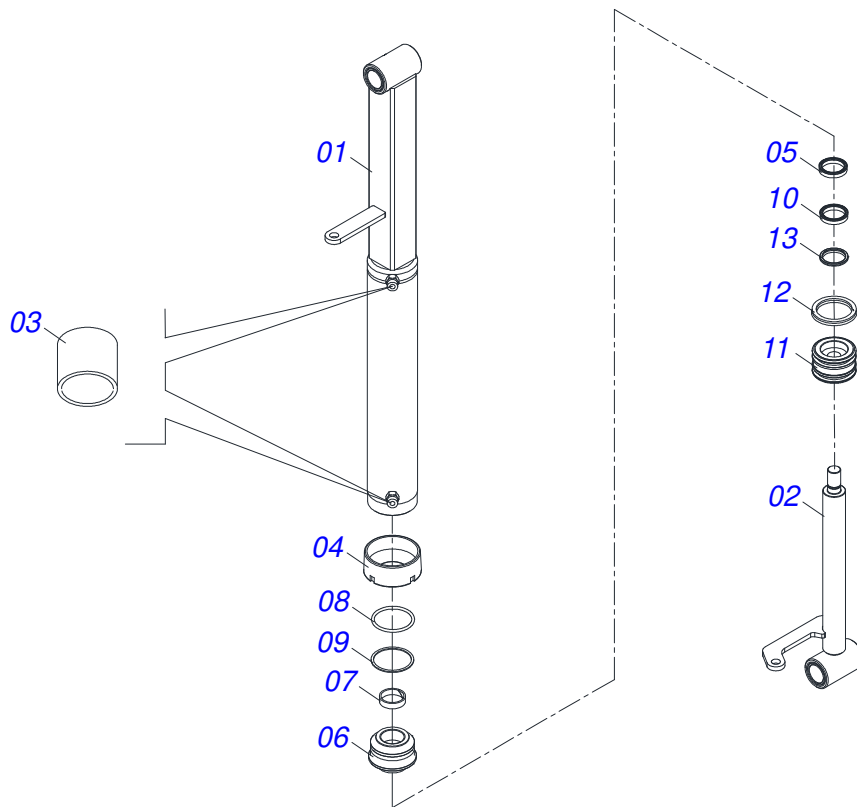
Item	Code	Description	See page	QT
01	0503017426	28,65 TERMINAL		01
02	0503017427	SQUARE TUBE		01
03	0503014639	CROSSPIECE		02
04	0503017428	TERMINAL W/HOLE SQUARE		01
05	0503017429	SQUARE BAR		01
06	0503017430	CC 13 TERMINAL		02



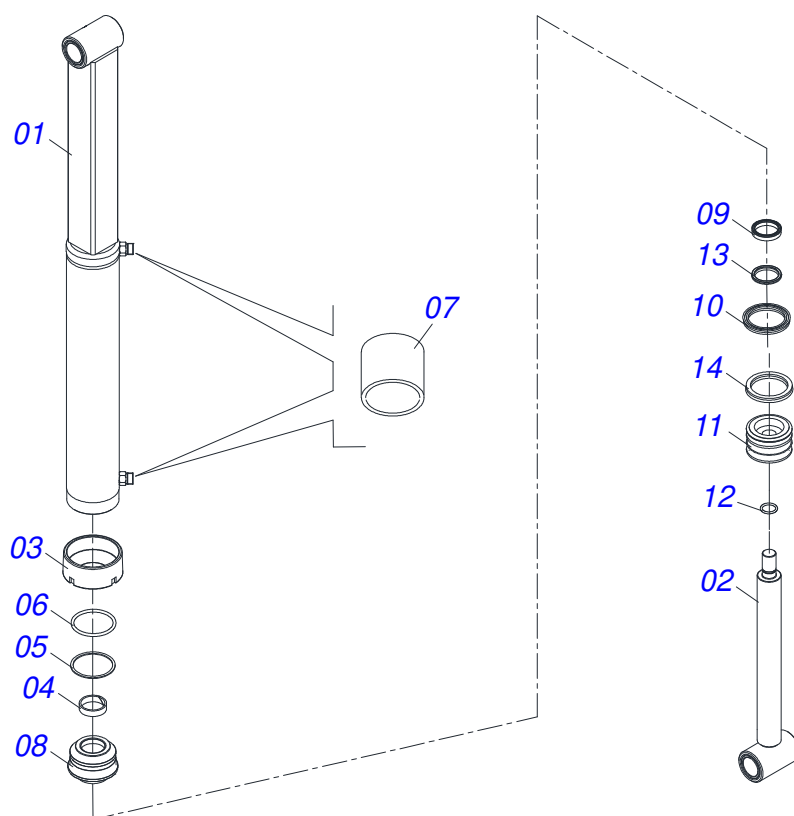
Item	Code	Description	See page	QT
001	0521060491	CYLINDER CASE		01
002	0521060492	TURNBUCKLE		01
003	0503010042	2-214 N 3006-9B O'RING		01
004	0571019710	1.7" X 3.4" PISTON		01
005	0571019711	RING SUPPORT		01
006	0571019709	DETACHABLE COVER		01
007	0503010761	D-1750 SCRAPER RING		01
008	0503017937	GASKET		01
009	0503017938	RING GUIDE		01
010	0503017936	RING		01
011	0503018144	RING		01
012	0503017935	RING		01
013	0503017939	2-337 N 3006-9B O' RING		02
014	0503017940	8-337 BACK-UP RING		02
015	0503010063	1" SELF-ALIGNING NUT		01
016	0503030387	PLUG		02



Item	Code	Description	See page	QT
001	0521060493	CYLINDER CASE		01
002	0521060492	TURNBUCKLE		01
003	0503010042	2-214 N 3006-9B O'RING		01
004	0571019710	1.7" X 3.4" PISTON		01
005	0571019711	RING SUPPORT		01
006	0571019709	DETACHABLE COVER		01
007	0503010761	D-1750 SCRAPER RING		01
008	0503017937	GASKET		01
009	0503017938	RING GUIDE		01
010	0503017936	RING		01
011	0503018144	RING		01
012	0503017935	RING		01
013	0503017939	2-337 N 3006-9B O' RING		02
014	0503017940	8-337 BACK-UP RING		02
015	0503010063	1" SELF-ALIGNING NUT		01
016	0503030387	PLUG		02

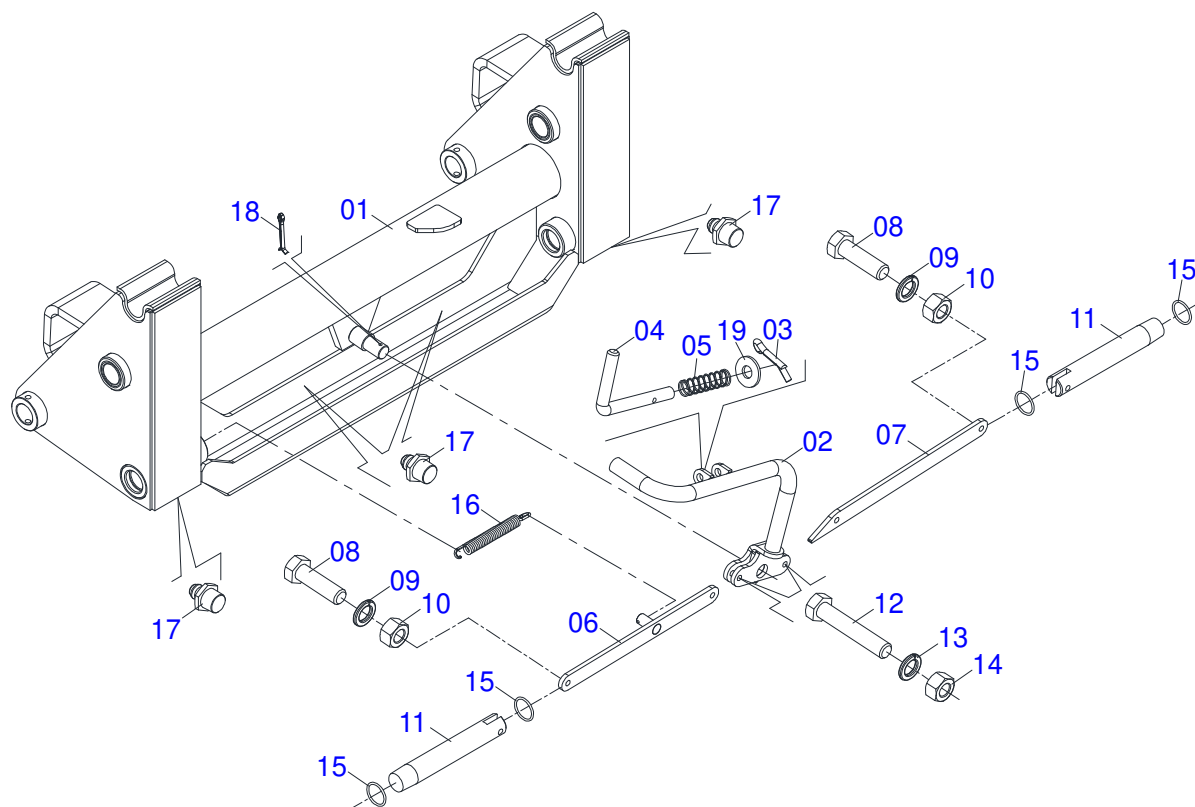


Item	Code	Description	See page	QT
001	0521060475	CYLINDER CASE		01
002	0521066628	38,10 X 712 TURNBUCKLE		01
003	0503030385	CYLINDER PLUG N-002		02
004	0502010471	MOBILE COVER		01
005	0503011058	8-330 BACK-UP RING		01
006	0571019866	RING SUPPORT		01
007	0503010163	D-1500 SCRAPER RING		01
008	0503018004	RING		01
009	0503010161	2-330 N 3006 9B O'RING		01
010	0503018003	GASKET		01
011	0502012837	PISTON		01
012	0503018005	RING		01
013	0503011109	2-119 N 3006-9B O'RING		01

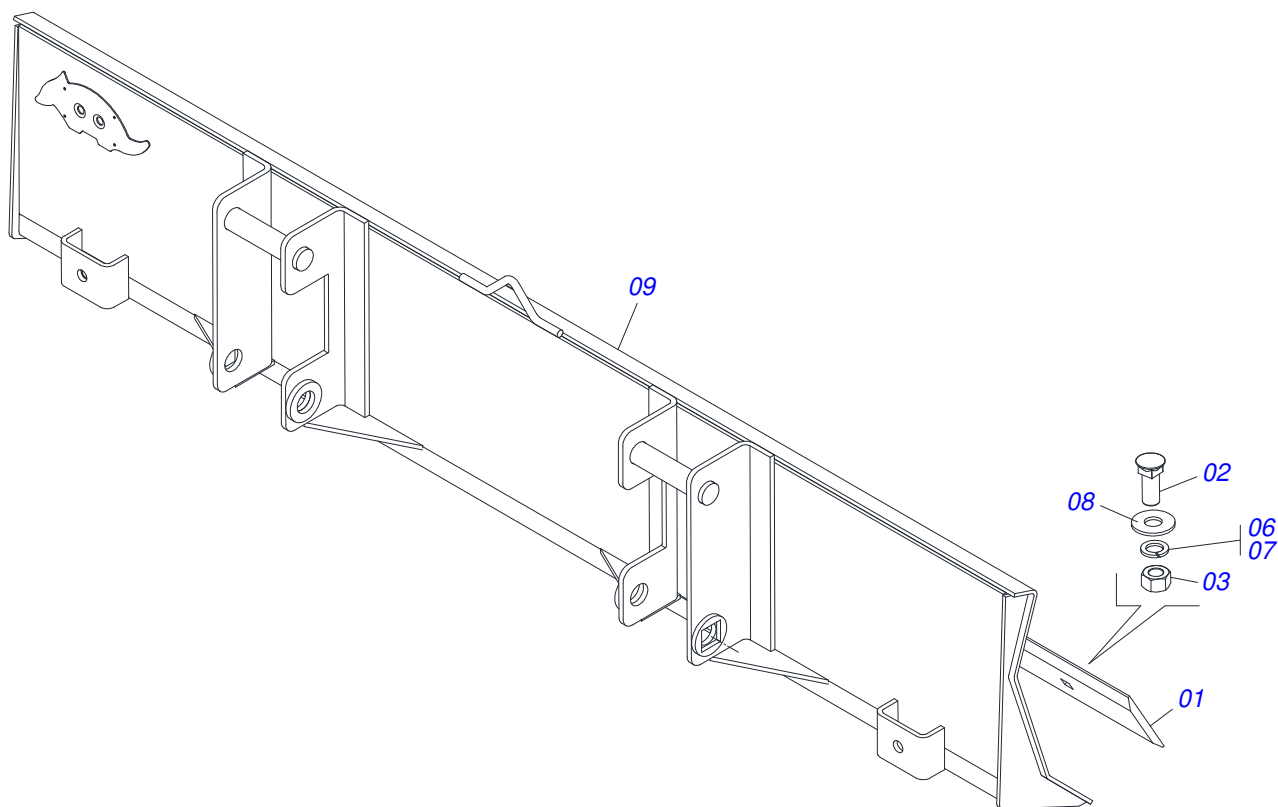


Item	Code	Description	See page	QT
001	0521060474	LH CYLINDER CASE		01
002	0521066629	38,10 X 712 TURNBUCKLE		01
003	0502010471	MOBILE COVER		01
004	0503010163	D-1500 SCRAPER RING		01
005	0503010161	2-330 N 3006 9B O'RING		01
006	0503011058	8-330 BACK-UP RING		01
007	0503030385	CYLINDER PLUG N-002		02
008	0571019866	RING SUPPORT		01
009	0503018004	RING		01
010	0503018003	GASKET		01
011	0502012837	PISTON		01
012	0503018005	RING		01
013	0503011109	2-119 N 3006-9B O'RING		01
014	0503017936	RING		01

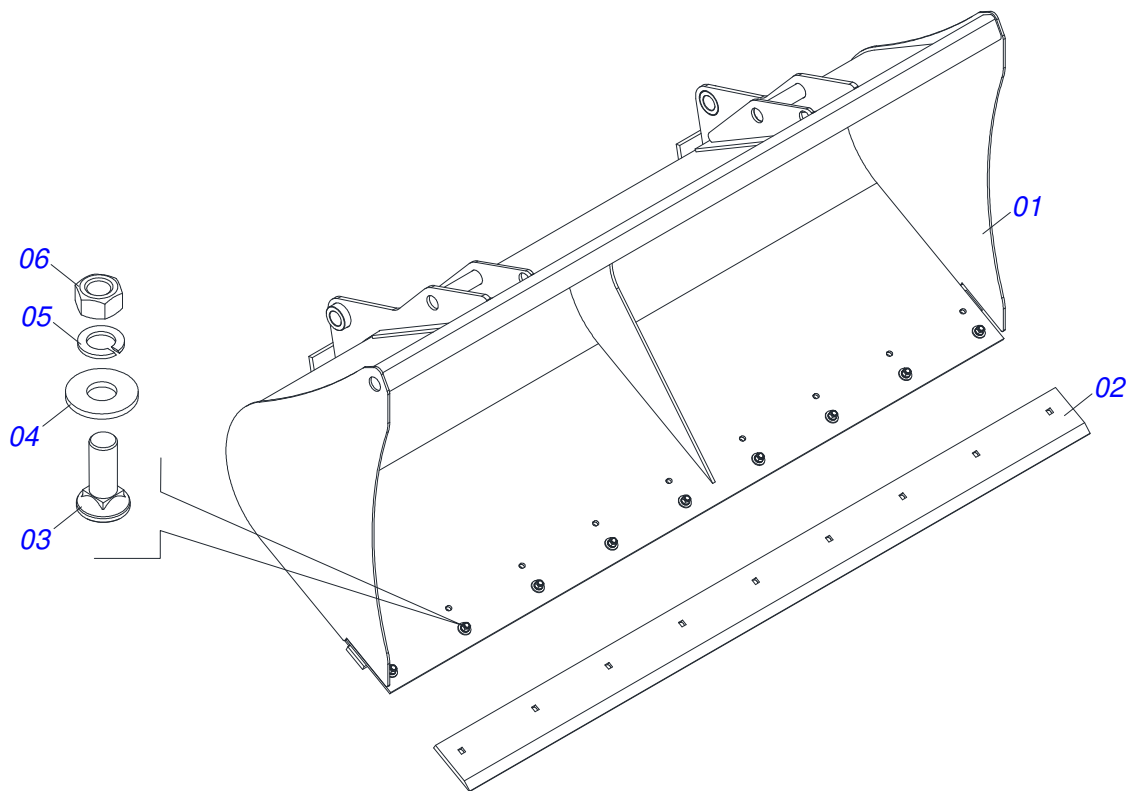
ARTICULATION ASSY



Item	Code	Description	See page	QT
001	0521060485	ARTICULATION		01
002	0521060524	DISARM LEVER		01
003	0503010071	3/16" X 1" COTTERPIN		01
004	0541014962	DISASSEMBLE TRIGGER		01
005	0503032132	COMPRESSION SPRING		01
006	0521060479	BRACO RIGHT MARKER		01
007	0561011923	BRACO ESQUERDO		01
008	0503010849	3/8" X 1-1/2" BOLT		02
009	0503010025	3/8" SPRING WASHER		02
010	0503010026	3/8" NUT		02
011	0541014963	LOCK PIN PCA-T 1750		02
012	0501010096	3/8" X 2" BOLT		02
013	0503010025	3/8" SPRING WASHER		02
014	0503010026	3/8" NUT		02
015	0503010285	2-222 N 3006-9B O'RING		06
016	0503031574	6.9" X 0.8" X 0.1" EXTENSION SPRING		01
017	0503010002	1800 GREASE FITTING		04
018	0503010571	1/4" X 1.1/2 COTTERPIN		01
019	0511017302	FLAT WASHER		01



Item	Code	Description	See page	QT
001	0622360016	94.5" SCRAPER REVERSIBLE		01
002	0501012240	BOLT		08
003	0503010013	5/8" NUT		08
004	0503031087	ADHESIVE LABEL		01
005	0503033429	ADHESIVE LABEL		01
006	0503011445	SPRING WASHER		08
007	0503011445	SPRING WASHER		08
008	0501012140	FLAT WASHER		08
009	0521060499	DOZER BLADE		01
010	0503034003	SERIAL NUMBER TAG 61 X 118		01
011	0503010001	3.2 X 5.5 RIVET		04



Item	Code	Description	See page	QT
001	0521060486	BUCKET		01
002	0622360007	1700 SCRAPER BUCKET		01
003	0503012956	1/2" X 1-1/2" BOLT		08
004	0511017302	FLAT WASHER		08
005	0503011440	SPRING WASHER		08
006	0503010020	1/2"NUT		08



MARCHESAN



ANNOTATION

Lined writing area with 25 horizontal grey lines.





MARCHESAN

Technical Publications | Elaboration and Revision

LUIZ CANDIDO

www.marchesan.com.br

