

**HINGE TYPE OFFSET DISK HARROW**

**GNFM/E - 120D - PA**

**Code:** 0501091998

**Series:** S-0816

**Revision:** 00

**Date Revision:** JUNHO/2022

# PARTS CATALOGUE



**MARCHESAN**



# PRODUCTS

Code	Description	
0102330338	GNFM/E 120 X 22 X 4,5 DM DR PA	S-0816
0102330333	GNFM/E 120 X 22 X 4,5 DM MT PA	S-0816
0102330336	GNFM/E 120 X 24 X 4,5 DM MT PA	S-0816
0102330339	GNFM/E 120 X 24 X 4,75 DM DR PA	S-0816

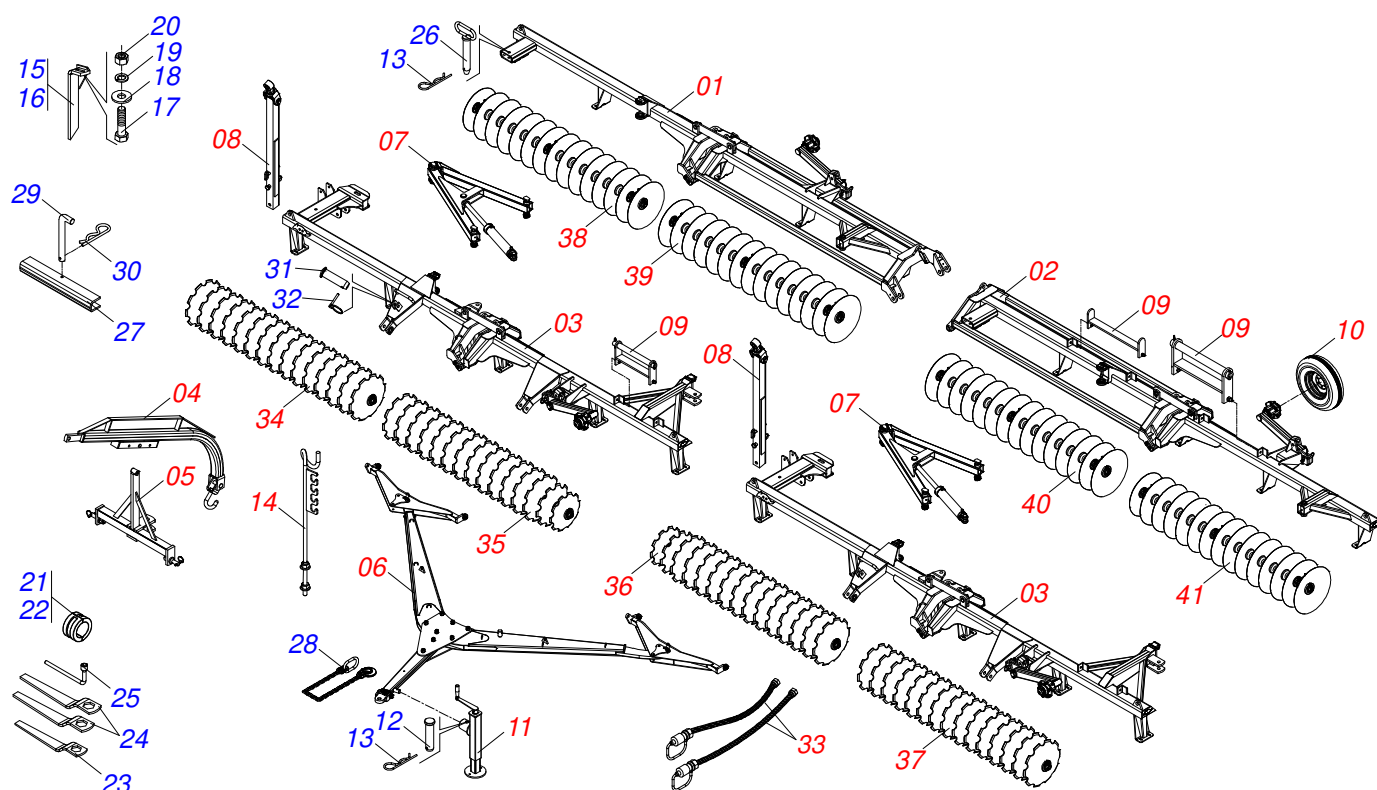
## ATTENTION: IMPORTANT

Marchesan S.A. reserves the right to improve and/or modify the technical features of its products, without obligation to do the same with those products already sold and without prior knowledge of the dealer or the consumer. The photos are only illustrative.



# INDEX

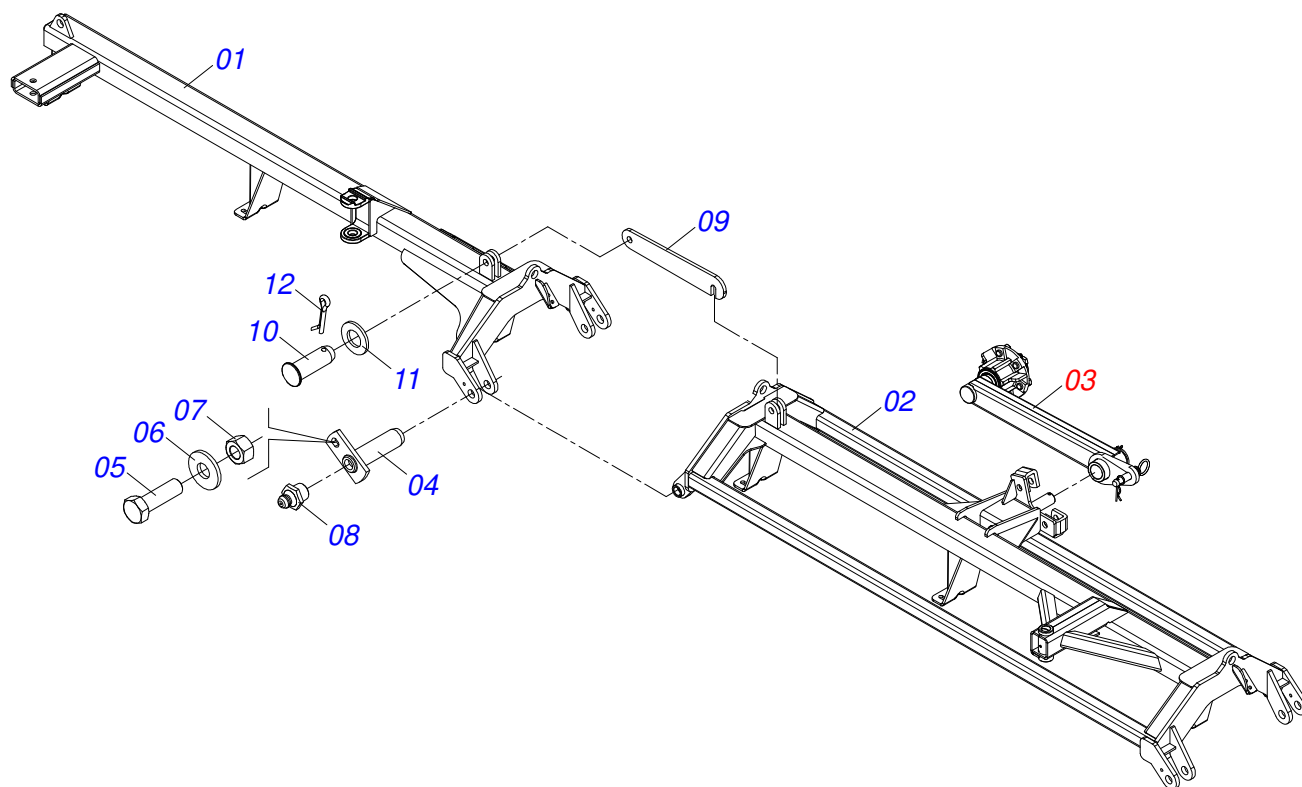
0909093486	CHASIS COMPLETO	.....	1
0521047329	ASSY RIGHT REAR FRAME	.....	2
0521047330	ASSY LEFT REAR FRAME	.....	3
0521047331	ASSY FRAME FRONT RIGHT / LEFT	.....	4
0521050970	ASSY WHEEL	.....	5
0511050078	WHEEL WITH HUB	.....	6
0501051142	CARRYING WHEEL HUB	.....	7
0521042072	FRAME ASSY	.....	8
0501053527	HEADER WITH EAR HITCH	.....	9
0909093488	TRACTION ASSY OF	.....	10
0521046114	ASSY BAR TRACTION	.....	11
0909093487	OPENING ASSY	.....	12
0521050969	1400 ASSY TRACTION BAR	.....	13
0521051012	LONGITUDINAL TRANSPORT ASSY	.....	14
0503060091	L29.5"X0.63"-10L WHEEL AND	.....	15
0511048088	DRAWBAR JACK	.....	16
0501040257	3/4 X 1200 HOSE HOLDER A	.....	17
0909093490	SECTION FRONT RIGHT SIDE	.....	18
0909093497	CENTRAL FRONT SECTION	.....	19
0909093492	CENTRAL FRONT SECTION LEFT	.....	20
0909093498	SECTION FRONT SIDE LEFT	.....	21
0909093493	SIDE REAR SECTION RIGHT	.....	22
0909093494	CENTRAL RIGHT REAR SECTION	.....	23
0909093496	LEFT CENTRAL REAR SECTION	.....	24
0909093495	SECTION REAR LEFT SIDE	.....	25
0501047055	BEARING	.....	26
0909093489	HYDRAULIC CIRCUIT	.....	27
0501053834	MALE QUICK COUPLER	.....	28
0501053835	FEMALE QUICK COUPLER	.....	29



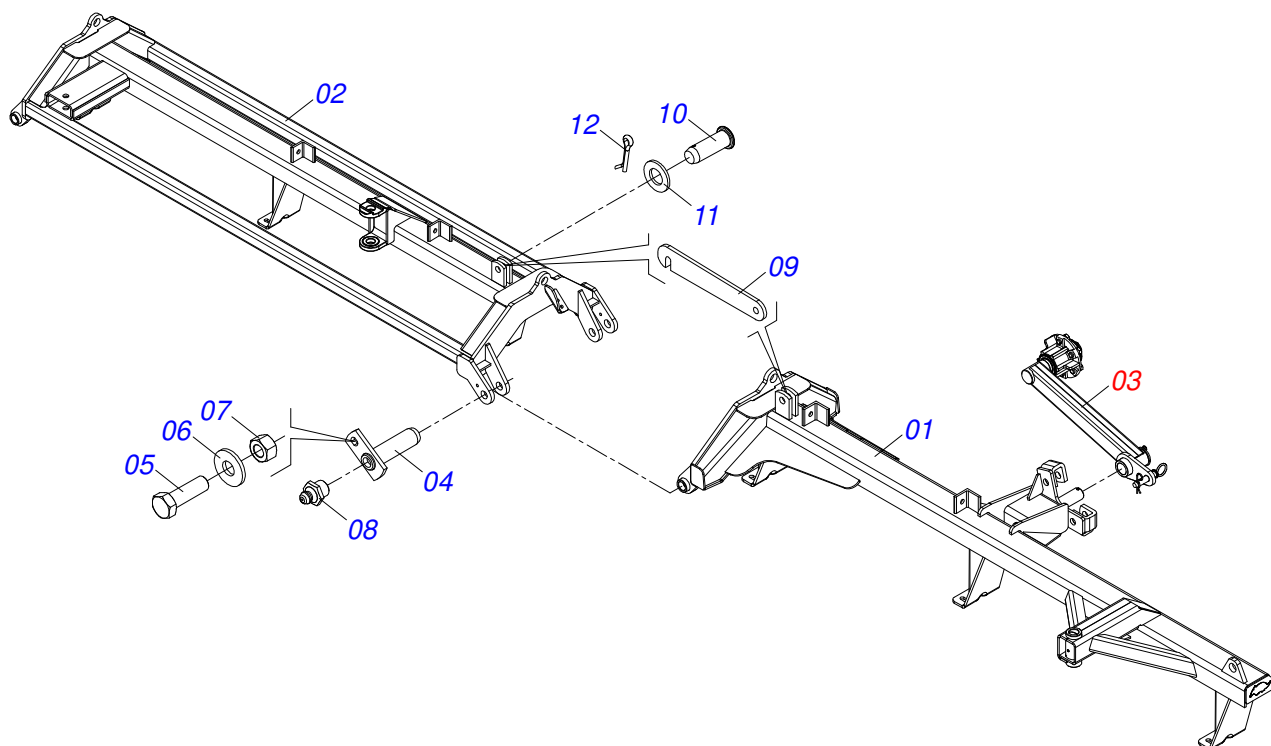
Item	Code	Description	See page	QT
01	0521047329	ASSY RIGHT REAR FRAME	2	01
02	0521047330	ASSY LEFT REAR FRAME	3	01
03	0521047331	ASSY FRAME FRONT RIGHT / LEFT	4	02
04	0521042072	FRAME ASSY	8	01
05	0501053527	HEADER WITH EAR HITCH	9	01
06	0909093488	TRACTION ASSY OF	10	01
07	0909093487	OPENING ASSY	12	01
08	0521050969	1400 ASSY TRACTION BAR	13	01
09	0521051012	LONGITUDINAL TRANSPORT ASSY	14	01
10	0503060091	L29.5"X0.63"-10L WHEEL AND	15	04
11	0511048088	DRAWBAR JACK	16	01
12	0561014251	COUPLING SHAFT		01
13	0503030012	HITCH PIN CLIP		01
14	0501040257	3/4 X 1200 HOSE HOLDER A	17	01
15	0501063962	REAR SCRAPER		46
16	0501063963	FRONT SCRAPER		47
17	0503011082	C1/2" X 1.3/4" SCREW		186
18	0511017302	FLAT WASHER		186
19	0503010019	1/2" SPRING WASHER		186
20	0503010060	1/2" NUT		186
21	0501047895	ROD STOP		12
22	0501047885	ROD STOP		08
23	0511018451	5/8" X 3/4" X 1" UNIVERSAL		01
24	0501011432	1-1/2" AND 1-5/8 GANG BOLT WRENCH		02
25	0501068273	5/8" WRENCH		01
26	0501075403	HITCH PIN		02
27	0561018173	LOCK FOR TRANSPORT		02
28	0503013150	1300 X 3/8 CHAIN		01
29	0541016844	FIXER LOCK		02
30	0503030168	HITCH PIN CLIP		02
31	0501019002	JUNCTION SHAFT		02



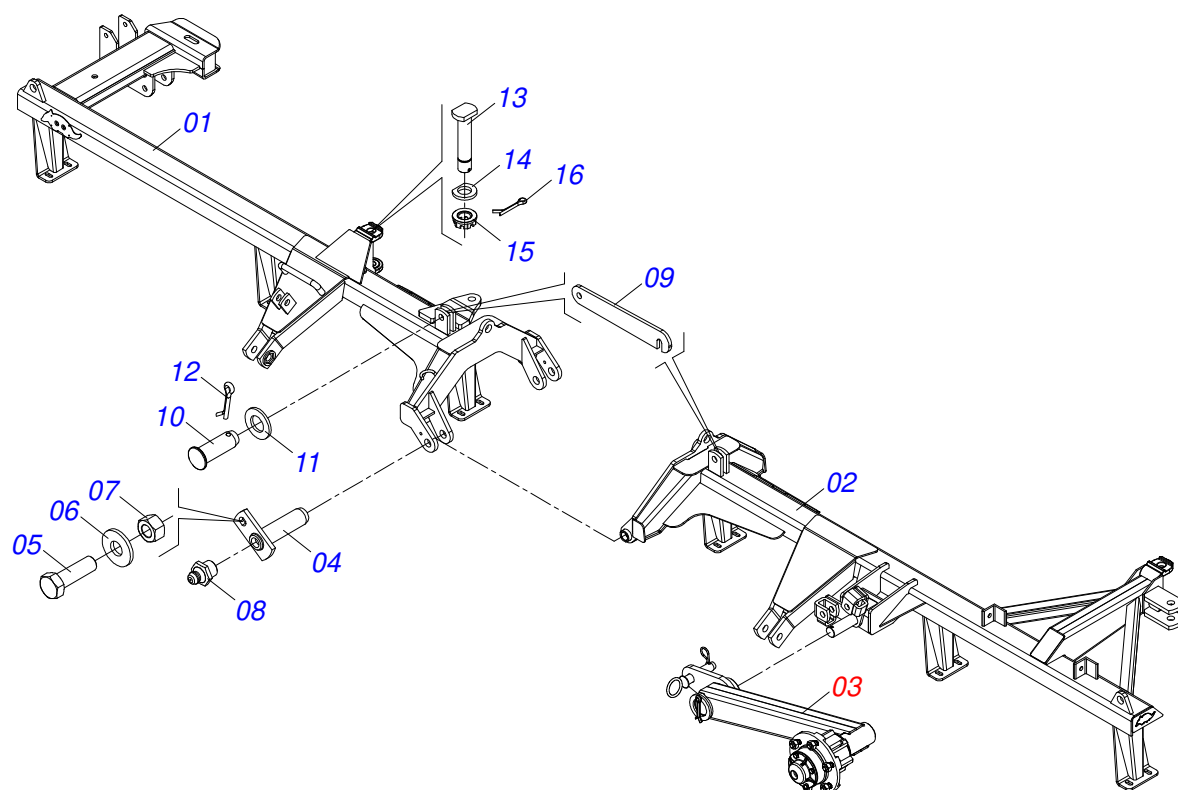
Item	Code	Description	See page	QT
32	0503030085	LOCK PIN		02
33	0909093489	HYDRAULIC CIRCUIT	27	01
34	0909093490	SECTION FRONT RIGHT SIDE	18	01
35	0909093497	CENTRAL FRONT SECTION	19	01
36	0909093492	CENTRAL FRONT SECTION LEFT	20	01
37	0909093498	SECTION FRONT SIDE LEFT	21	01
38	0909093493	SIDE REAR SECTION RIGHT	22	01
39	0909093494	CENTRAL RIGHT REAR SECTION	23	01
40	0909093496	LEFT CENTRAL REAR SECTION	24	01
41	0909093495	SECTION REAR LEFT SIDE	25	01



Item	Code	Description	See page	QT
001	0521067648	RIGHT REAR FRAME		01
002	0521067649	REAR CHASSIS INTERNAL RIGHT		01
003	0521050970	ASSY WHEEL	5	01
004	0501063751	1.5" X 5.5" PIVOT SHAFT		02
005	0501010100	SCREW 5/8 UNC X 2 CS G.5 ZN		02
006	0501012140	FLAT WASHER		02
007	0503010013	5/8" NUT		02
008	0503010002	1800 GREASE FITTING		02
009	0501018941	TRANSPORT LOCK		01
010	0521010592	1.1" X 3.1" COUPLING SHAFT		02
011	0511017480	FLAT WASHER		02
012	0503010571	1/4" X 1.1/2 COTTERPIN		02

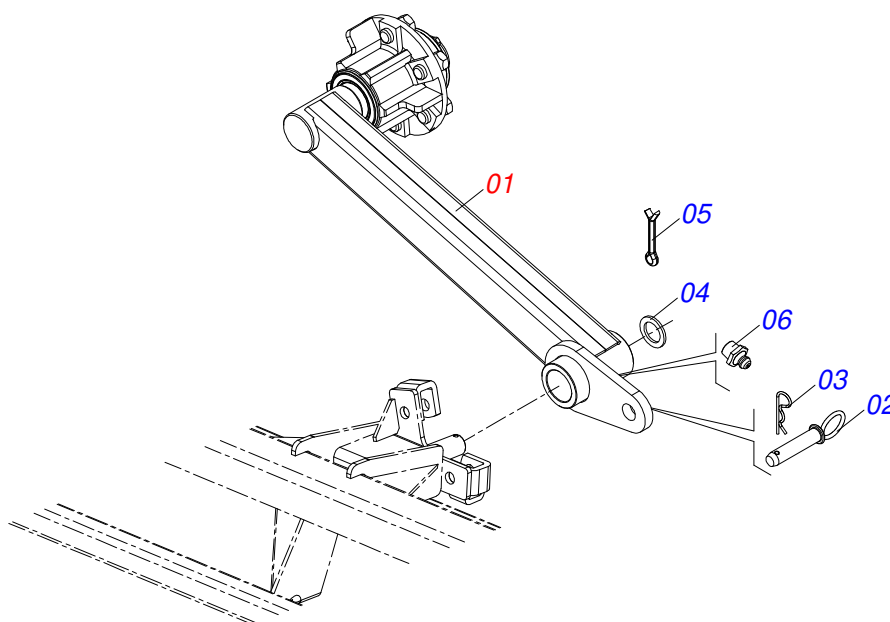


Item	Code	Description	See page	QT
001	0521067650	LEFT REAR FRAME		01
002	0521067651	LEFT INTERNAL REAR FRAME		01
003	0521050970	ASSY WHEEL	5	01
004	0501063751	1.5" X 5.5" PIVOT SHAFT		02
005	0501010100	SCREW 5/8 UNC X 2 CS G.5 ZN		02
006	0501012140	FLAT WASHER		02
007	0503010013	5/8" NUT		02
008	0503010002	1800 GREASE FITTING		03
009	0501018941	TRANSPORT LOCK		01
010	0521010592	1.1" X 3.1" COUPLING SHAFT		02
011	0511017480	FLAT WASHER		02
012	0503010571	1/4" X 1.1/2 COTTERPIN		02

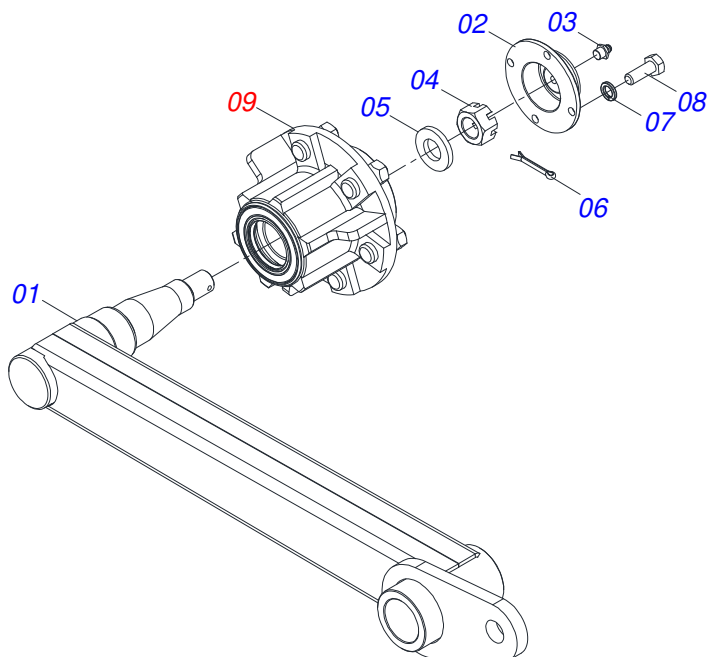


Item	Code	Description	See page	QT
001	0521067646	FRONT FRAME RIGHT		01
002	0521067647	LEFT FRONT FRAME		01
003	0521050970	ASSY WHEEL	5	01
004	0501063751	1.5" X 5.5" PIVOT SHAFT		02
005	0501010100	SCREW 5/8 UNC X 2 CS G.5 ZN		02
006	0501012140	FLAT WASHER		02
007	0503010013	5/8" NUT		02
008	0503010002	1800 GREASE FITTING		02
009	0501018941	TRANSPORT LOCK		01
010	0521010592	1.1" X 3.1" COUPLING SHAFT		02
011	0511017480	FLAT WASHER		02
012	0503010571	1/4" X 1.1/2" COTTERPIN		02
013	0531019497	1.5" X 9.2" ARTICULATED AXIS		01
014	0501012916	FLAT WASHER 38,50 X 66 X 4,75 ZN		01
015	0501011301	1.1/2 UNC 6FPP 2.5/16 NUT		01
016	0503010010	1/4" X 2.1/2" COTTERPIN		01

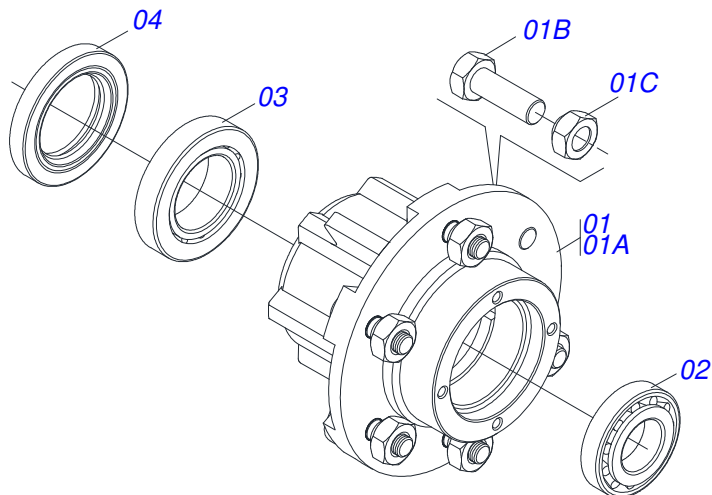




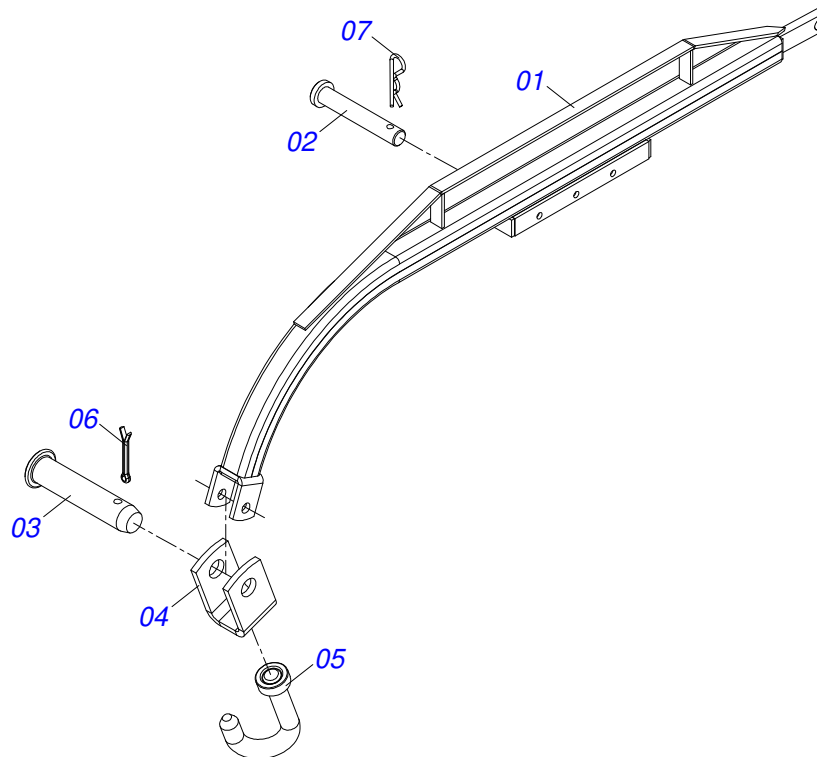
Item	Code	Description	See page	QT
001	0511050078	WHEEL WITH HUB	6	01
002	0501068992	0.9" X 4.5" COUPLING SHAFT		01
003	0503030012	HITCH PIN CLIP		01
004	0501015875	FLAT WASHER		01
005	0503010534	3/8 X 2-1/2 COTTERPIN		01
006	0503010002	1800 GREASE FITTING		01



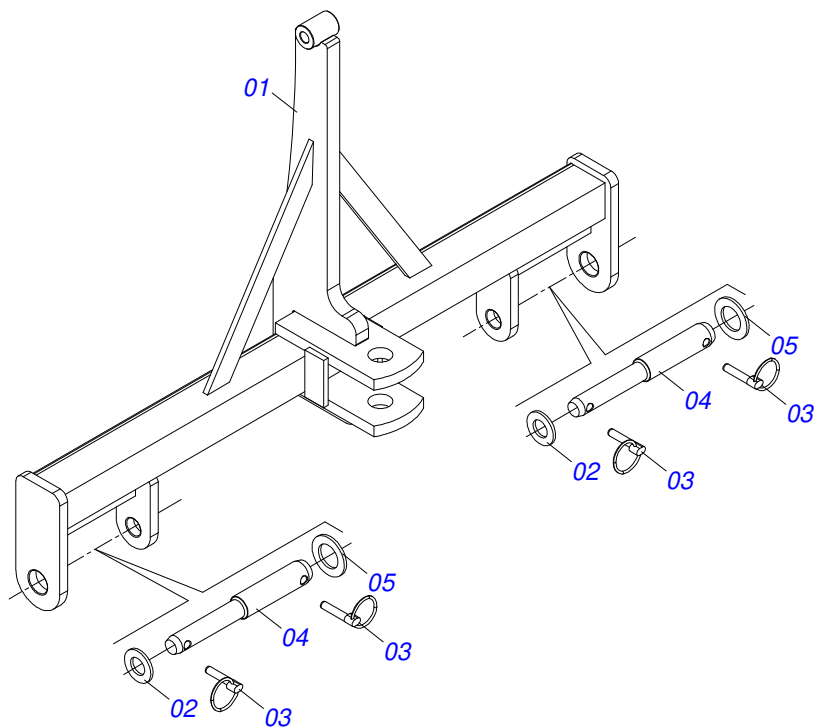
Item	Code	Description	See page	QT
01	0521061622	WHEEL SUPPORT		01
02	0502020591	PROTECCION COVER		01
03	0503010002	1800 GREASE FITTING		01
04	0503030009	1" CASTLE NUT		01
05	0501016545	FLAT WASHER		01
06	0503010018	5/32 X 1-1/2 COTTERPIN		01
07	0503011444	SPRING WASHER		04
08	0503010358	5/16" X 5/8" BOLT		04
09	0501051142	CARRYING WHEEL HUB	7	01



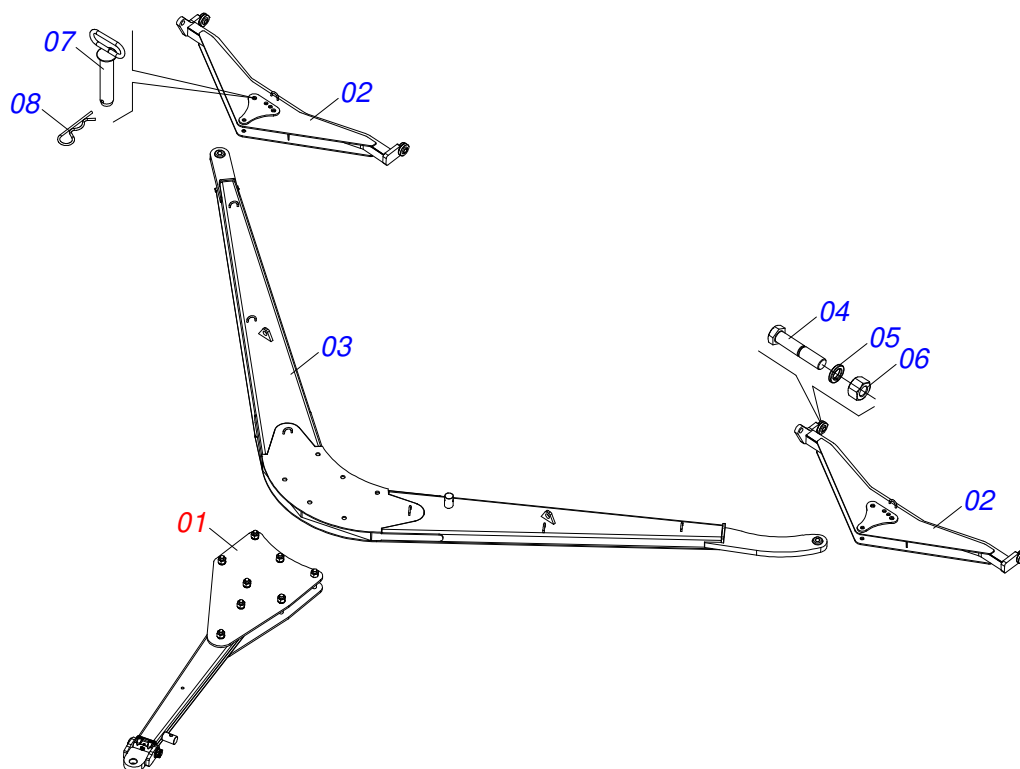
Item	Code	Description	See page	QT
01	0501110728	WHEEL HUB		01
01A	0502011121	CARRYING WHEEL HUB		01
01B	0501010127	9/16" X 1-7/8" LUG BOLT		06
01C	0503010035	9/16" CONIC NUT		06
02	0503010037	30207 ROLLER BEARING		01
03	0503010006	32210 ROLLER BEARING		01
04	0503012928	SEAL		01



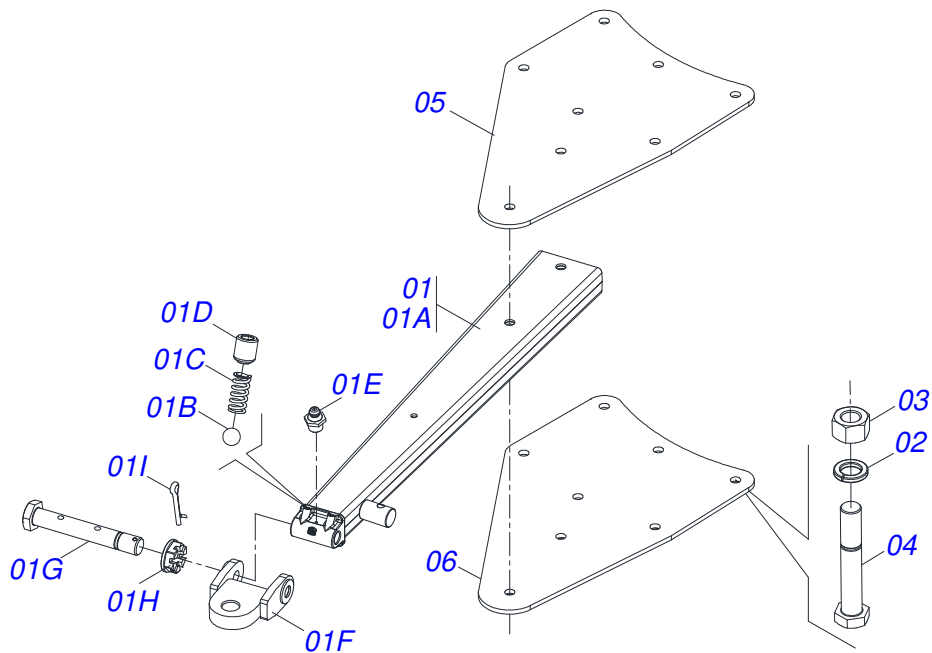
Item	Code	Description	See page	QT
01	0501062595	FRAME GAT 800		01
02	0501011388	COUPLING SHAFT		01
03	0521010579	COUPLING SHAFT		01
04	0511016686	U HOOK		01
05	0501067537	25,4 X 100 HOOK		01
06	0503010018	5/32 X 1-1/2 COTTERPIN		01
07	0503030168	HITCH PIN CLIP		01



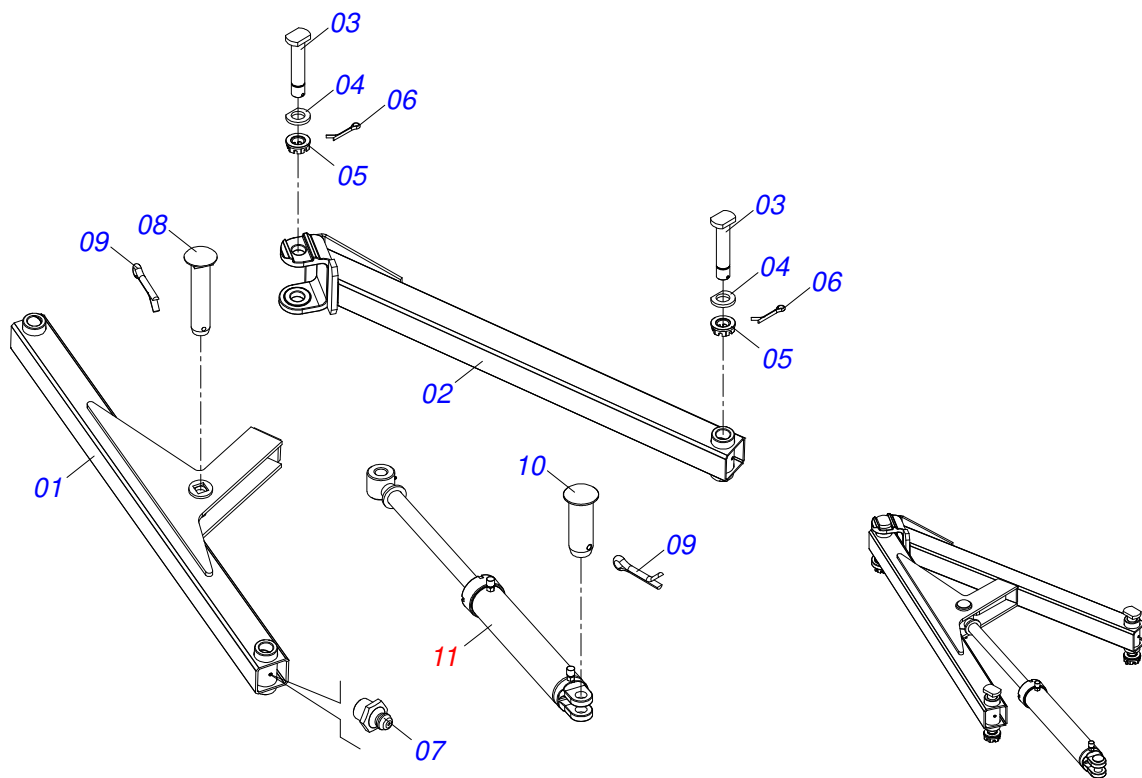
Item	Code	Description	See page	QT
01	0511062944	DRAWBAR		01
02	0501012916	FLAT WASHER 38,50 X 66 X 4,75 ZN		02
03	0503030430	7/16 X 2" PIN LOCK		04
04	0541015542	1.1/8" HITCH AXLE		02
05	0511017480	FLAT WASHER		02



Item	Code	Description	See page	QT
01	0521046114	ASSY BAR TRACTION	11	01
02	0521065186	HITCH BAR		02
03	0521067652	HEADER		01
04	0501010426	1-1/4" X 6" SCREW		04
05	0503010070	SPRING WASHER		04
06	0501010087	1.1/4" NUT		04
07	0511062895	31,75 X 150 COUPLING SHAFT		02
08	0503030012	HITCH PIN CLIP		02

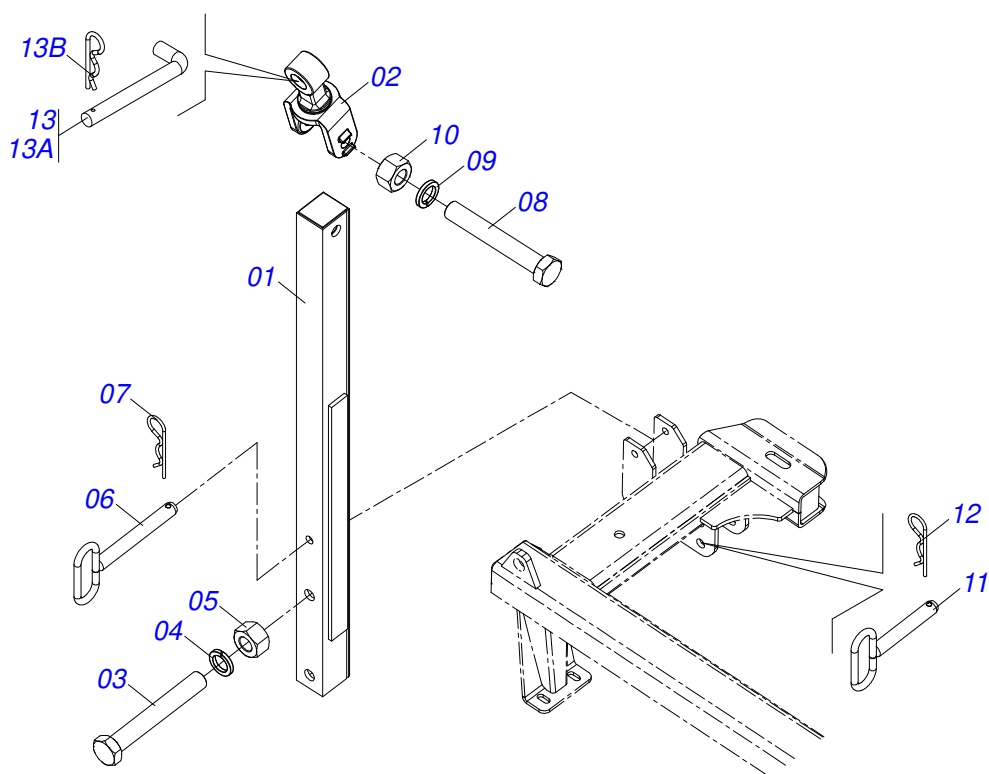


Item	Code	Description	See page	QT
01	0511058610	TRACTION BAR		01
01A	0521066595	TRACTION BAR		01
01B	0503012389	1/2 BALL		02
01C	0503033994	COMPRESSION SPRING		02
01D	0503013333	BOLT		02
01E	0503010002	1800 GREASE FITTING		01
01F	0511070237	TRACTOR HITCH		01
01G	0571016538	1-1/2" X 245" BOLT		01
01H	0501011301	1.1/2 UNC 6FPP 2.5/16 NUT		01
01I	0503010010	1/4" X 2.1/2" COTTERPIN		01
02	0503010070	SPRING WASHER		08
03	0501010087	1.1/4" NUT		08
04	0503013212	SCREW		08
05	0581010778	FIXING PLATE		01
06	0521066594	FIXING PLATE		01

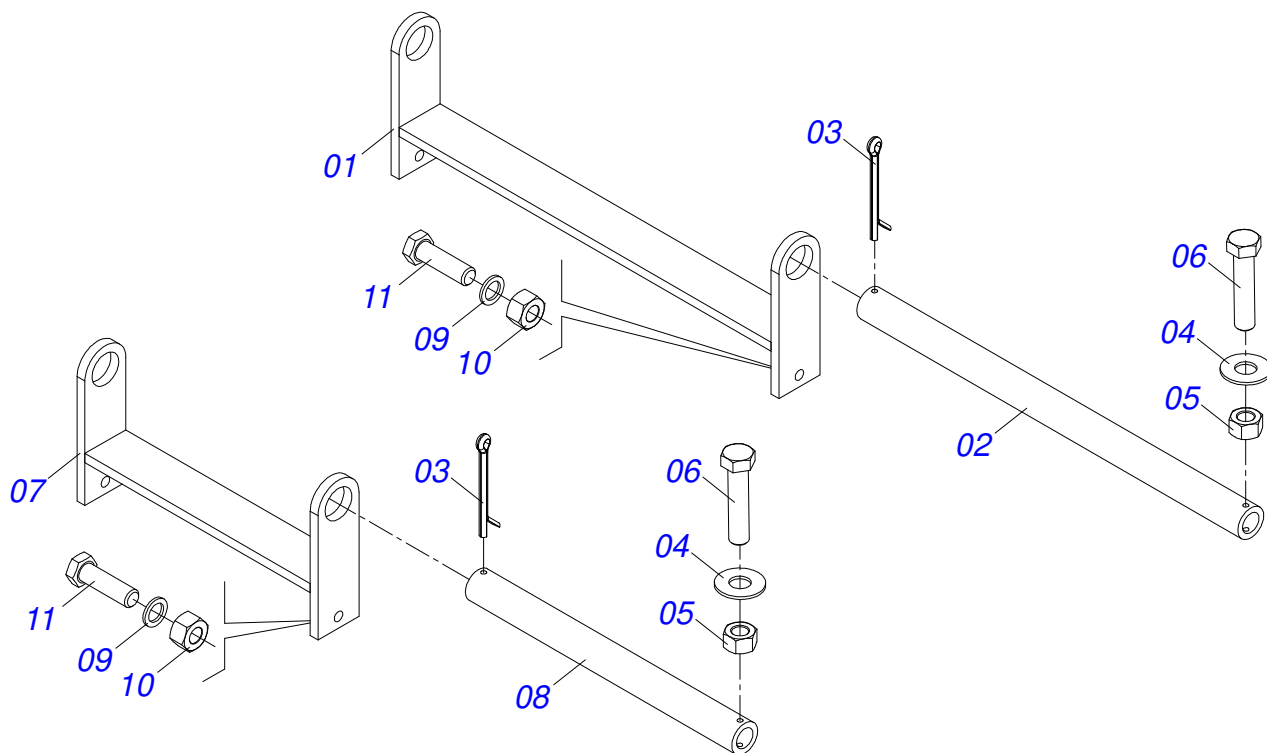


Item	Code	Description	See page	QT
01	0521067671	FRONT STABILIZER BAR		02
02	0521067672	REAR STABILIZER BAR		02
03	0531019497	1.5" X 9.2" ARTICULATED AXIS		06
04	0501012916	FLAT WASHER 38,50 X 66 X 4,75 ZN		06
05	0501011301	1.1/2 UNC 6FPP 2.5/16 NUT		06
06	0503010010	1/4" X 2.1/2" COTTERPIN		06
07	0503010002	1800 GREASE FITTING		03
08	0521013077	1.2" X 5.7" PIVOT SHAFT		02
09	0503010523	1/4" X 2" COTTERPIN		04
10	0521012538	1.2" X 3.5" COUPLING SHAFT		02
11	0511058461	HYDRAULIC CYLINDER		02

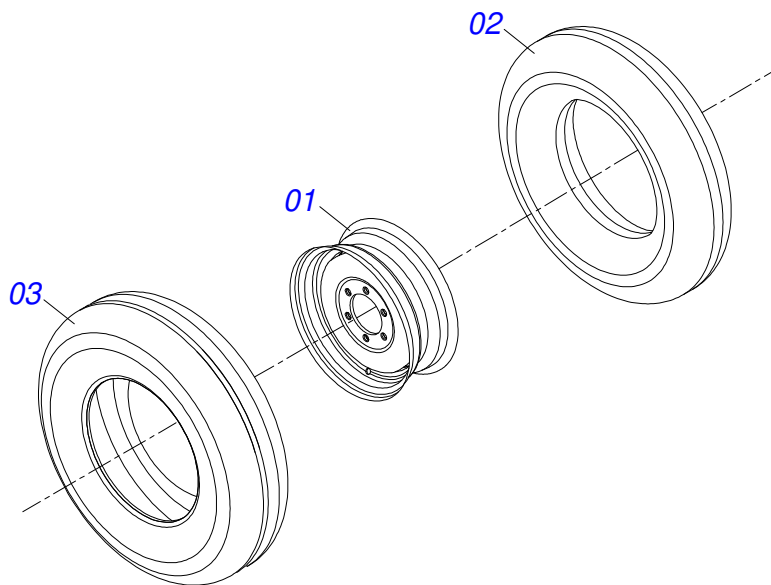




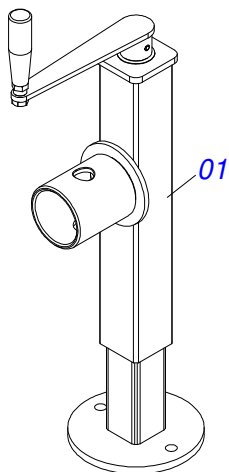
Item	Code	Description	See page	QT
001	0501060188	DRAWBAR ASSY		01
002	0521061775	TRACTOR HITCH		01
003	0501010334	1" X 7" BOLT		01
004	0503010012	1" SPRING WASHER		01
005	0501010059	1.5/8 NUT		01
006	0521064088	LOCK AXLE		01
007	0503030012	HITCH PIN CLIP		01
008	0501010334	1" X 7" BOLT		01
009	0503010012	1" SPRING WASHER		01
010	0501010059	1.5/8 NUT		01
011	0521067644	JUNCTION SHAFT		01
012	0503031035	HITCH PIN CLIP		01
013	0501040343	DRAWBOLT ASSY		01
013A	0521010453	AXI SHAFT		01
013B	0503031035	HITCH PIN CLIP		01



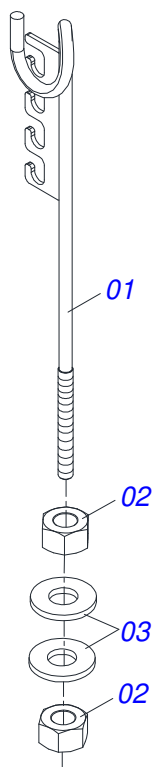
Item	Code	Description	See page	QT
001	0521067642	SUPPORT TRANSPORT		01
002	0581013898	TRANSPORT FIXING SHAFT		01
003	0503010074	3/8 X 0,15" COTTERPIN		02
004	0501013518	FLAT WASHER		02
005	0503010026	3/8" NUT		02
006	0503010765	3/8" X 3" BOLT		02
007	0521067645	SUPPORT TRANSPORT HEADER		01
008	0581013895	TRANSPORT FIXING SHAFT		01
009	0501017066	FLAT WASHER		02
010	0503010014	3/4" NUT		02
011	0501010125	3/4" X 2-1/2" BOLT		02



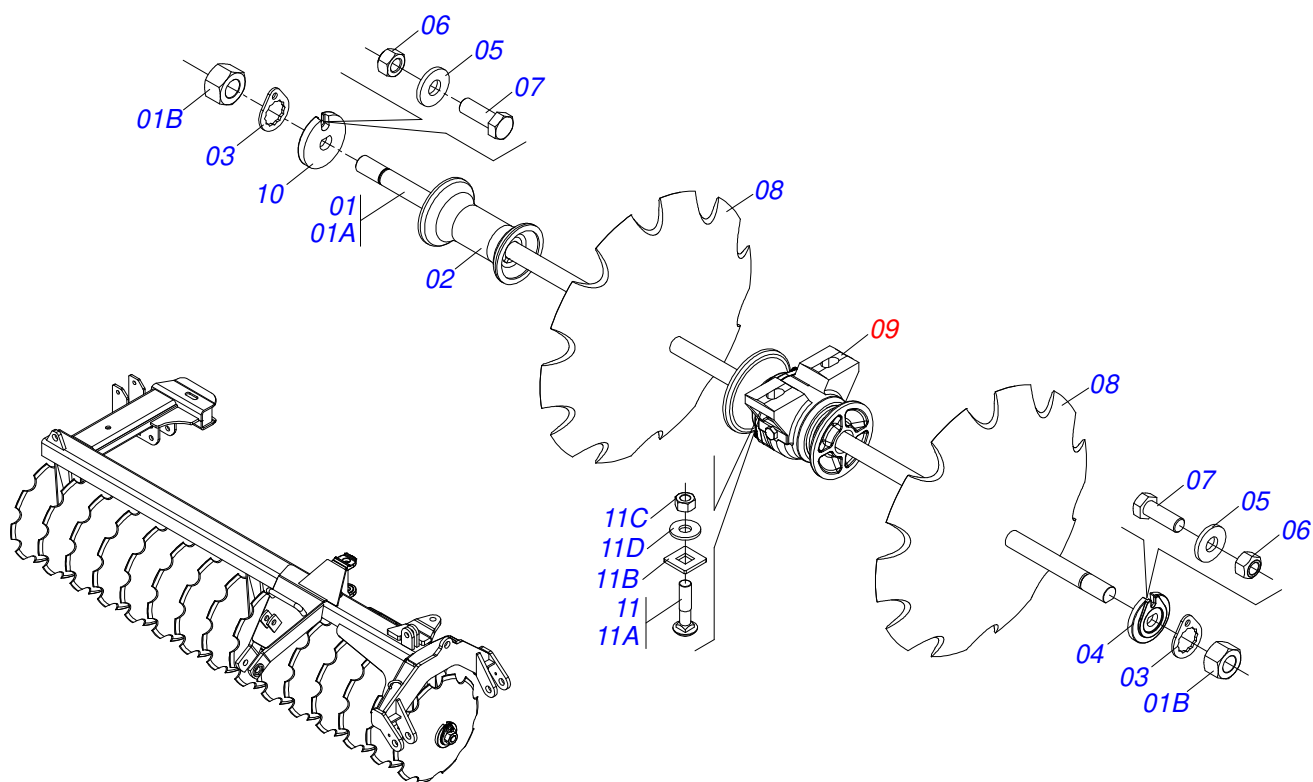
Item	Code	Description	See page	QT
01	0503010893	WHEEL		01
02	0503010033	7.50 X 16 INNER TIRE		01
03	0503010120	CANVAS TIRE		01



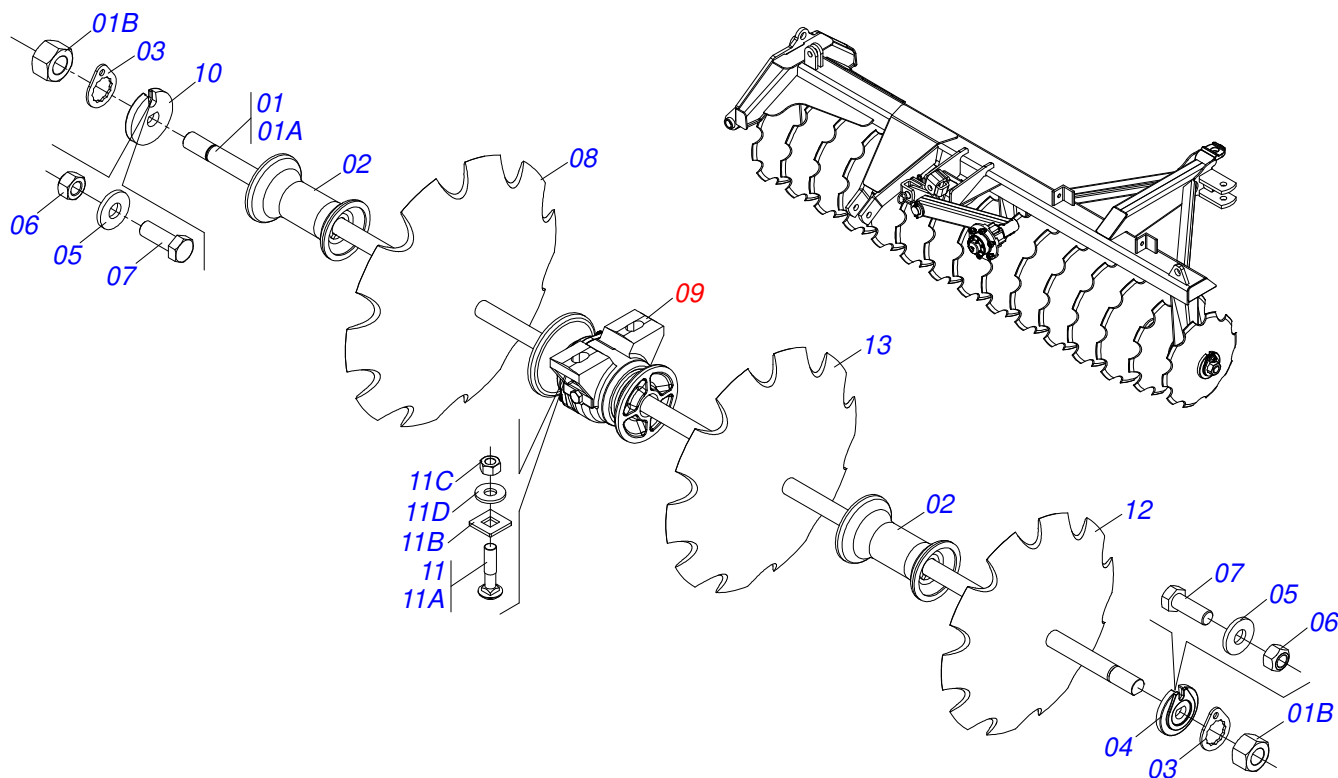
Item	Code	Description	See page	QT
01	0503062227	DRAWBAR JACK		01



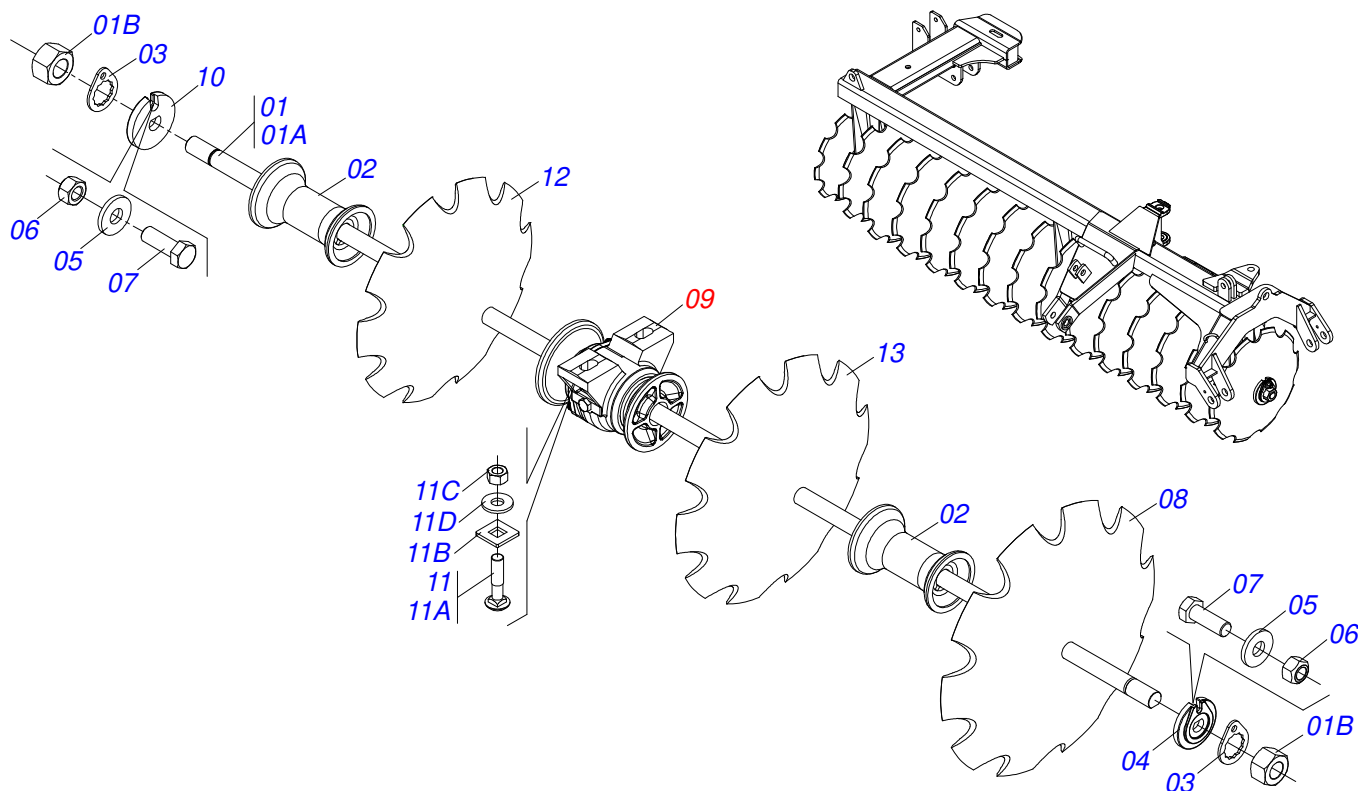
Item	Code	Description	See page	QT
01	0511067334	HOSE SUPPORT		01
02	0503010014	3/4" NUT		02
03	0501010322	FLAT WASHER		02



Item	Code	Description	See page	QT
01	0501059898	1.1/2 X 2880 AXLE ASSY		01
01A	0561016111	1.1/2 X 2880 AXLE		01
01B	0501010110	1.1/2" NUT		02
02	0502010627	SPACER		11
03	0501018592	1.5/8" NUT LOCK		02
04	0502010871	1-1/2" EXTERNAL AXLE WASHER		01
05	0501012140	FLAT WASHER		02
06	0503012412	5/8 UNC SELF LOCKING NUT		02
07	0503011267	BOLT 5/8 UNC X 1.1/2 C S G.5 ZN		02
08	0602029416	DR22X4,5 C64AF02FR1.9/16 10REC TATU		15
08.	0602029396	22X4,75 NOTCHED DISC BLADE		15
08..	0602030448	DR24X4,5 C66AF02FR1.9/16 D006 10R		15
08...	0602030419	24" X 4,75" NOTCHED DISC BLADE		15
09	0501047055	BEARING	26	03
10	0502010872	1-1/2" INNER AXLE WASHER		01
11	0501058802	5/8 UNC X 2.3/4 BOLT ASSY		06
11A	0503015154	5/8" X 2.3/4" BOLT		06
11B	0501010947	5/8 NUT LOCK		06
11C	0503010013	5/8" NUT		12
11D	0501012140	FLAT WASHER		06

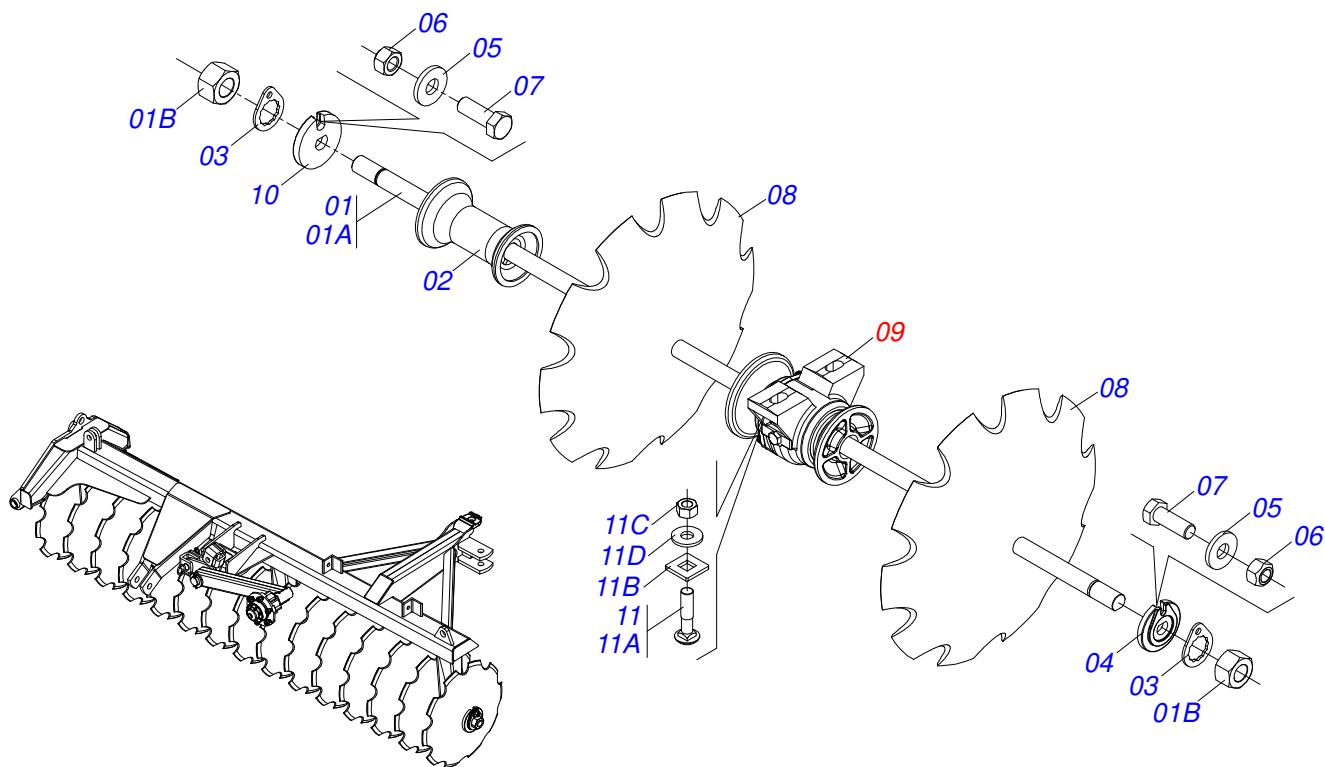


Item	Code	Description	See page	QT
01	0501059898	1.1/2 X 2880 AXLE ASSY		01
01A	0561016111	1.1/2 X 2880 AXLE		01
01B	0501010110	1.1/2" NUT		02
02	0502010627	SPACER		11
03	0501018592	1.5/8" NUT LOCK		02
04	0502010871	1-1/2" EXTERNAL AXLE WASHER		01
05	0501012140	FLAT WASHER		02
06	0503012412	5/8 UNC SELF LOCKING NUT		02
07	0503011267	BOLT 5/8 UNC X 1.1/2 C S G.5 ZN		02
08	0602030419	24" X 4,75" NOTCHED DISC BLADE		13
08.	0602030448	DR24X4,5 C66AF02FR1.9/16 D006 10R		13
08..	0602029396	22X4,75 NOTCHED DISC BLADE		13
08...	0602029416	DR22X4,5 C64AF02FR1.9/16 10REC TATU		13
09	0501047055	BEARING	26	03
10	0502010872	1-1/2" INNER AXLE WASHER		01
11	0501058802	5/8 UNC X 2.3/4 BOLT ASSY		06
11A	0503015154	5/8" X 2.3/4" BOLT		06
11B	0501010947	5/8 NUT LOCK		06
11C	0503010013	5/8" NUT		12
11D	0501012140	FLAT WASHER		06
12	0602023109	DR16X4,5 C38AF02FR1.9/16 08REC TATU		01
13	0602025263	18" X 4,5 NOTCHED DISC BLADE		01
13.	0602027344	DR20X4,5 C57AF02FC1.9/16 10REC TATU		01
13..	0602027343	DR20X4,5 C57AF02FR1.9/16 10R TATU		01
13...	0602027160	DR20X4,75 C50AF02FR39,29 10REC WIES		01

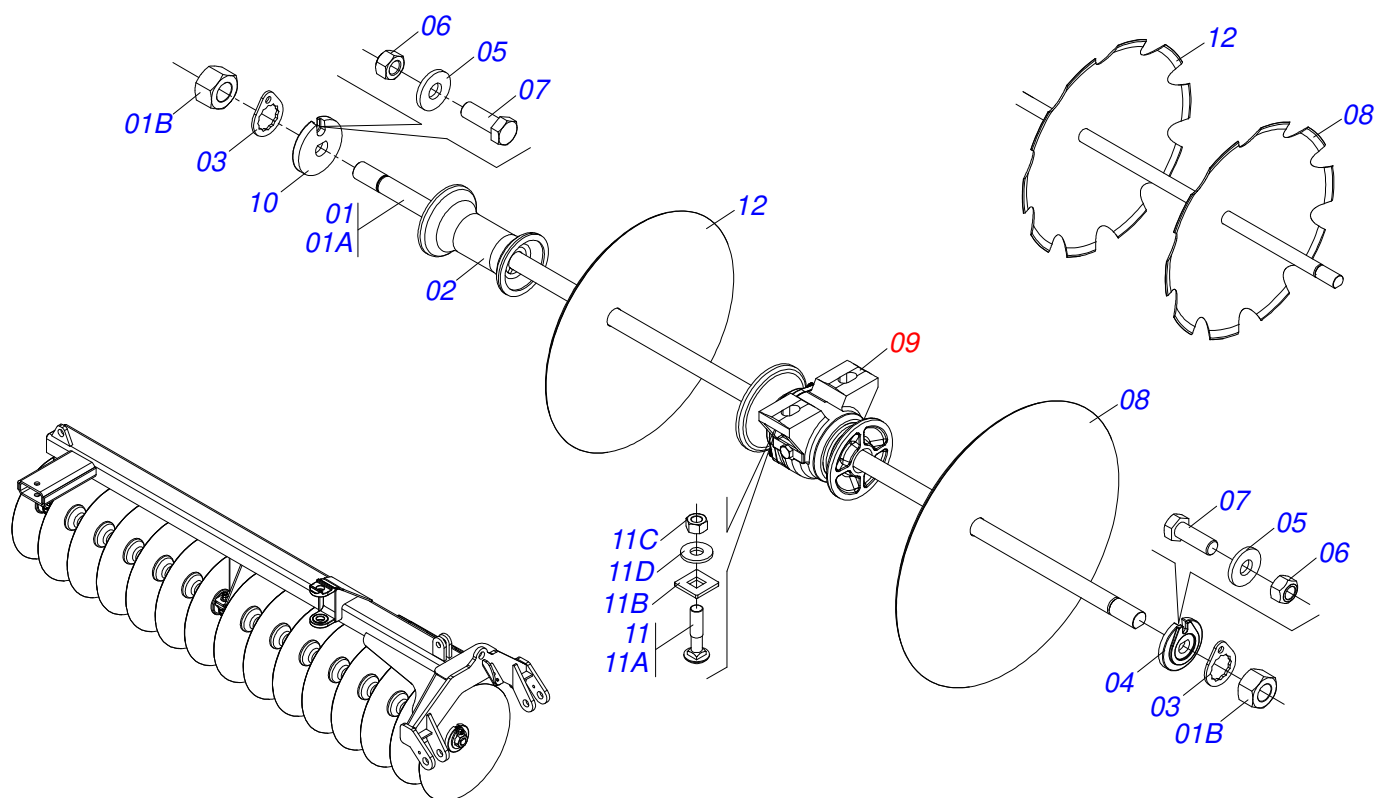


Item	Code	Description	See page	QT
01	0501059898	1.1/2 X 2880 AXLE ASSY		01
01A	0561016111	1.1/2 X 2880 AXLE		01
01B	0501010110	1.1/2" NUT		02
02	0502010627	SPACER		11
03	0501018592	1.5/8" NUT LOCK		02
04	0502010871	1-1/2" EXTERNAL AXLE WASHER		01
05	0501012140	FLAT WASHER		02
06	0503012412	5/8 UNC SELF LOCKING NUT		02
07	0503011267	BOLT 5/8 UNC X 1.1/2 C S G.5 ZN		02
08	0602030419	24" X 4,75" NOTCHED DISC BLADE		13
08.	0602030448	DR24X4,5 C66AF02FR1.9/16 D006 10R		13
08..	0602029396	22X4,75 NOTCHED DISC BLADE		13
08...	0602029416	DR22X4,5 C64AF02FR1.9/16 10REC TATU		13
09	0501047055	BEARING	26	03
10	0502010872	1-1/2" INNER AXLE WASHER		01
11	0501058802	5/8 UNC X 2.3/4 BOLT ASSY		06
11A	0503015154	5/8" X 2.3/4" BOLT		06
11B	0501010947	5/8 NUT LOCK		06
11C	0503010013	5/8" NUT		12
11D	0501012140	FLAT WASHER		06
12	0602023109	DR16X4,5 C38AF02FR1.9/16 08REC TATU		01
13	0602025263	18" X 4,5 NOTCHED DISC BLADE		01
13.	0602027344	DR20X4,5 C57AF02FC1.9/16 10REC TATU		01
13..	0602027343	DR20X4,5 C57AF02FR1.9/16 10R TATU		01
13...	0602027160	DR20X4,75 C50AF02FR39,29 10REC WIES		01

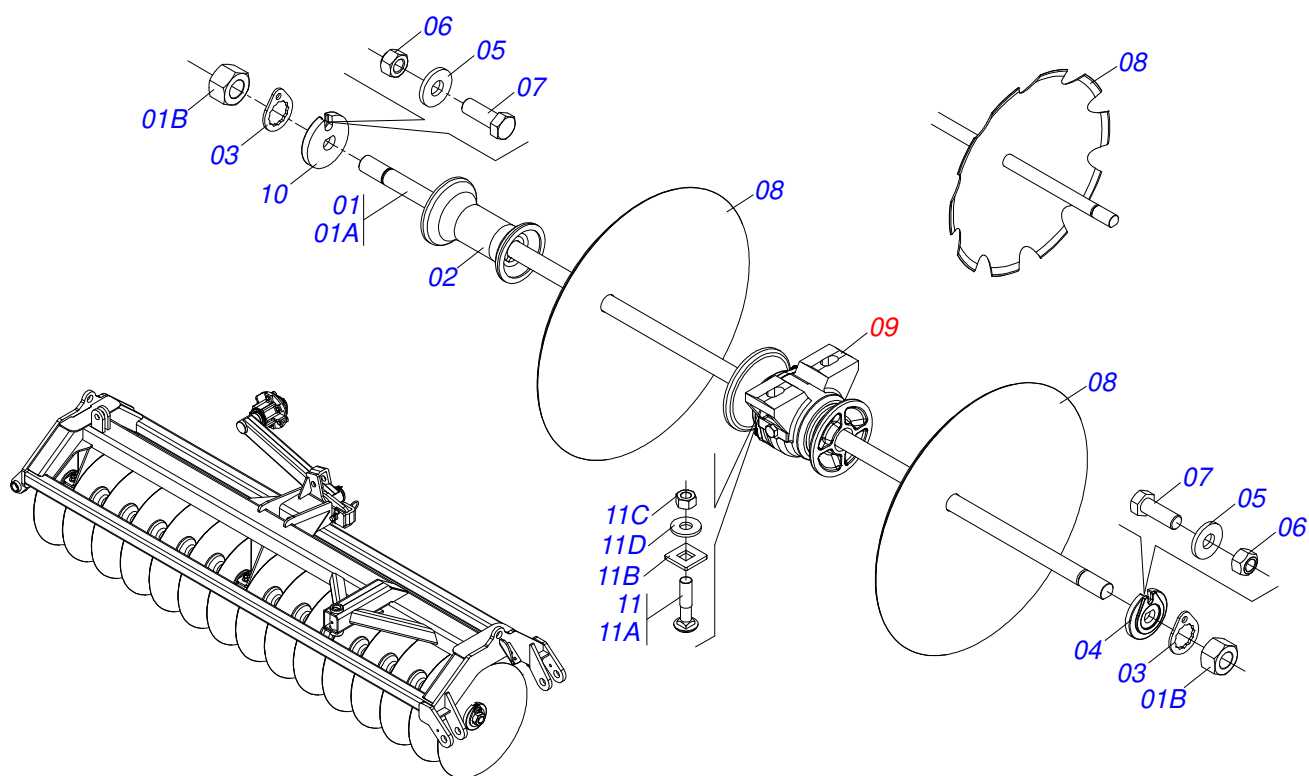




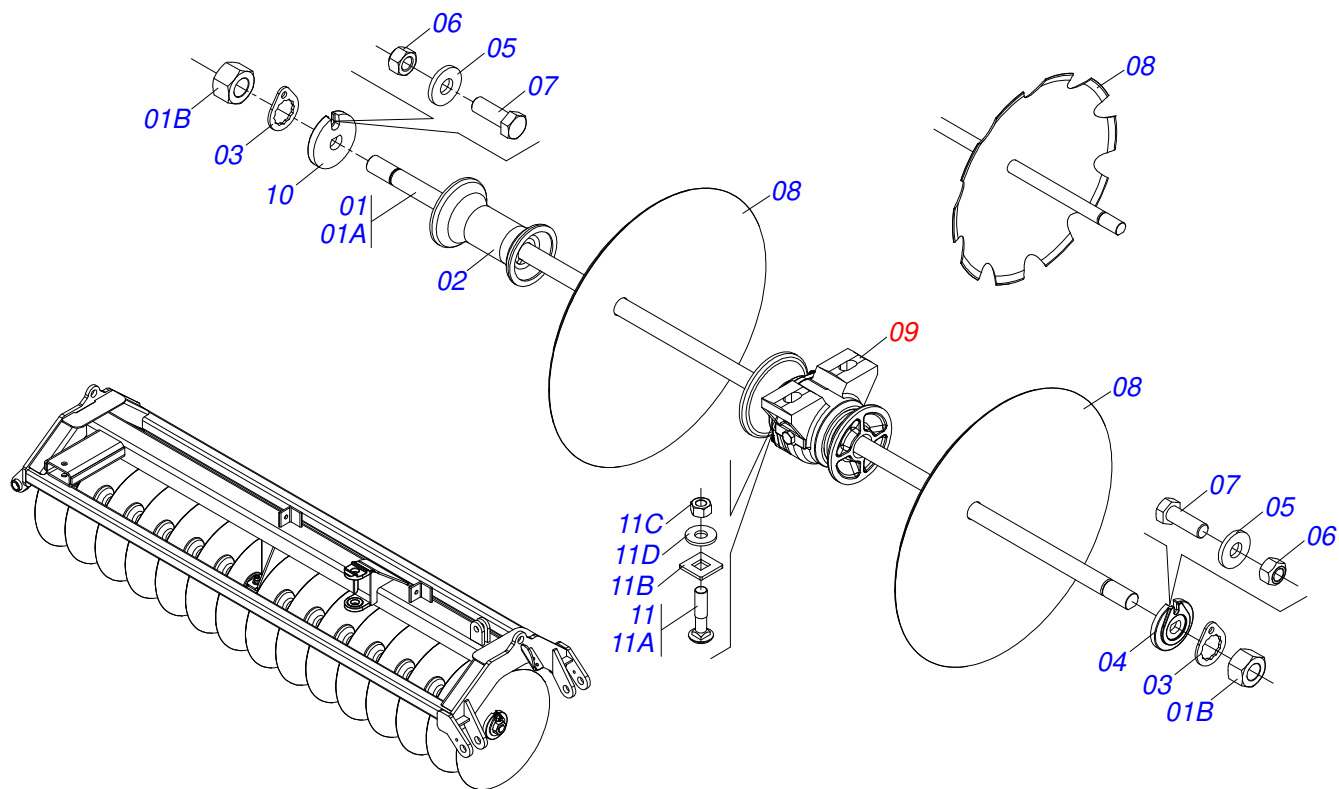
Item	Code	Description	See page	QT
01	0501059898	1.1/2 X 2880 AXLE ASSY		01
01A	0561016111	1.1/2 X 2880 AXLE		01
01B	0501010110	1.1/2" NUT		02
02	0502010627	SPACER		11
03	0501018592	1.5/8" NUT LOCK		02
04	0502010871	1-1/2" EXTERNAL AXLE WASHER		01
05	0501012140	FLAT WASHER		02
06	0503012412	5/8 UNC SELF LOCKING NUT		02
07	0503011267	BOLT 5/8 UNC X 1.1/2 C S G.5 ZN		02
08	0602029416	DR22X4,5 C64AF02FR1.9/16 10REC TATU		15
08.	0602029396	22X4,75 NOTCHED DISC BLADE		15
08..	0602030448	DR24X4,5 C66AF02FR1.9/16 D006 10R		15
08...	0602030419	24" X 4,75" NOTCHED DISC BLADE		15
09	0501047055	BEARING	26	03
10	0502010872	1-1/2" INNER AXLE WASHER		01
11	0501058802	5/8 UNC X 2.3/4 BOLT ASSY		06
11A	0503015154	5/8" X 2.3/4" BOLT		06
11B	0501010947	5/8 NUT LOCK		06
11C	0503010013	5/8" NUT		12
11D	0501012140	FLAT WASHER		06



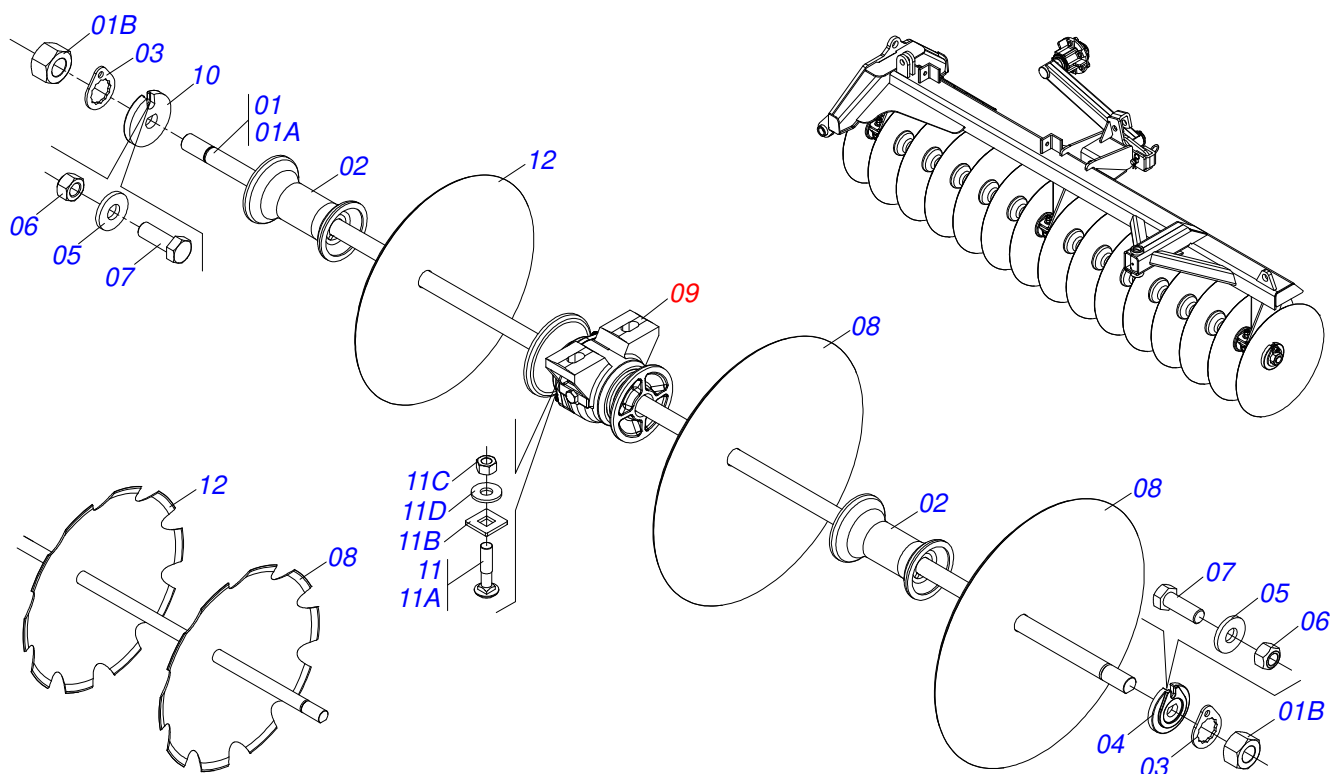
Item	Code	Description	See page	QT
01	0501059898	1.1/2 X 2880 AXLE ASSY		01
01A	0561016111	1.1/2 X 2880 AXLE		01
01B	0501010110	1.1/2" NUT		02
02	0502010627	SPACER		11
03	0501018592	1.5/8" NUT LOCK		02
04	0502010872	1-1/2" INNER AXLE WASHER		01
05	0501012140	FLAT WASHER		02
06	0503012412	5/8 UNC SELF LOCKING NUT		02
07	0503011267	BOLT 5/8 UNC X 1.1/2 C S G.5 ZN		02
08	0601029413	DL22X4,5 C64AF02FR1.9/16 TATU		14
08.	0602029416	DR22X4,5 C64AF02FR1.9/16 10REC TATU		14
08..	0602029396	22X4,75 NOTCHED DISC BLADE		14
08...	0601031134	DL24X4,5 C66AF02FR1.9/16 D006 TT		14
08....	0602030419	24" X 4,75" NOTCHED DISC BLADE		14
09	0501047055	BEARING	26	03
10	0502010871	1-1/2" EXTERNAL AXLE WASHER		01
11	0501058802	5/8 UNC X 2.3/4 BOLT ASSY		06
11A	0503015154	5/8" X 2.3/4" BOLT		06
11B	0501010947	5/8 NUT LOCK		06
11C	0503010013	5/8" NUT		12
11D	0501012140	FLAT WASHER		06
12	0601027299	DL20X4,5 C57AF02FR1.9/16 TATU		01
12.	0602027343	DR20X4,5 C57AF02FR1.9/16 10R TATU		01
12..	0602027160	DR20X4,75 C50AF02FR39,29 10REC WIES		01
12...	0601029414	DL22X4,5 C63AF02FR1.9/16 TATU		01



Item	Code	Description	See page	QT
01	0501059898	1.1/2 X 2880 AXLE ASSY		01
01A	0561016111	1.1/2 X 2880 AXLE		01
01B	0501010110	1.1/2" NUT		02
02	0502010627	SPACER		11
03	0501018592	1.5/8" NUT LOCK		02
04	0502010872	1-1/2" INNER AXLE WASHER		01
05	0501012140	FLAT WASHER		02
06	0503012412	5/8 UNC SELF LOCKING NUT		02
07	0503011267	BOLT 5/8 UNC X 1.1/2 C S G.5 ZN		02
08	0601029413	DL22X4,5 C64AF02FR1.9/16 TATU		15
08.	0602029396	22X4,75 NOTCHED DISC BLADE		15
08..	0601029414	DL22X4,5 C63AF02FR1.9/16 TATU		15
08...	0602029416	DR22X4,5 C64AF02FR1.9/16 10REC TATU		15
08....	0601031134	DL24X4,5 C66AF02FR1.9/16 D006 TT		15
08.....	0602030419	24" X 4,75" NOTCHED DISC BLADE		15
09	0501047055	BEARING	26	03
10	0502010871	1-1/2" EXTERNAL AXLE WASHER		01
11	0501058802	5/8 UNC X 2.3/4 BOLT ASSY		06
11A	0503015154	5/8" X 2.3/4" BOLT		06
11B	0501010947	5/8 NUT LOCK		06
11C	0503010013	5/8" NUT		12
11D	0501012140	FLAT WASHER		06

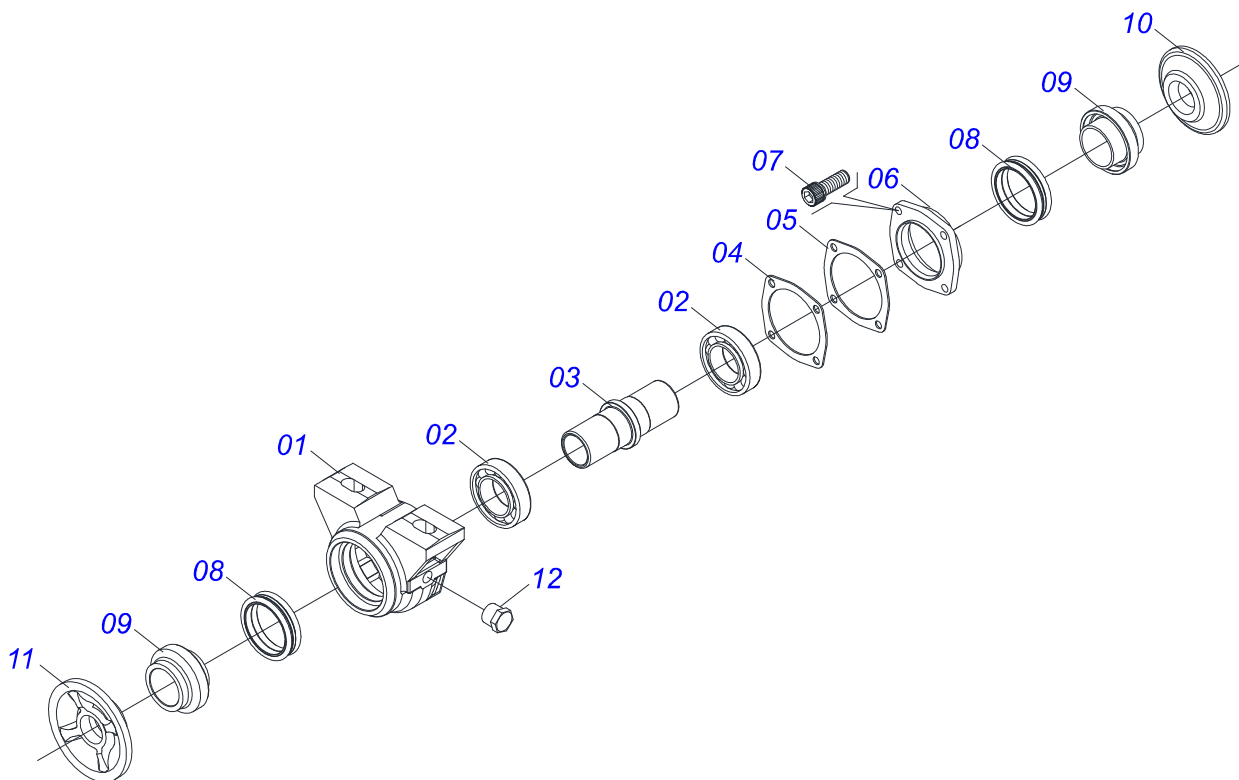


Item	Code	Description	See page	QT
01	0501059898	1.1/2 X 2880 AXLE ASSY		01
01A	0561016111	1.1/2 X 2880 AXLE		01
01B	0501010110	1.1/2" NUT		02
02	0502010627	SPACER		11
03	0501018592	1.5/8" NUT LOCK		02
04	0502010872	1-1/2" INNER AXLE WASHER		01
05	0501012140	FLAT WASHER		02
06	0503012412	5/8 UNC SELF LOCKING NUT		02
07	0503011267	BOLT 5/8 UNC X 1.1/2 C S G.5 ZN		02
08	0601029413	DL22X4,5 C64AF02FR1.9/16 TATU		15
08.	0602029396	22X4,75 NOTCHED DISC BLADE		15
08..	0601029414	DL22X4,5 C63AF02FR1.9/16 TATU		15
08...	0602029416	DR22X4,5 C64AF02FR1.9/16 10REC TATU		15
08....	0601031134	DL24X4,5 C66AF02FR1.9/16 D006 TT		15
08.....	0602030419	24" X 4,75" NOTCHED DISC BLADE		15
09	0501047055	BEARING	26	03
10	0502010871	1-1/2" EXTERNAL AXLE WASHER		01
11	0501058802	5/8 UNC X 2.3/4 BOLT ASSY		06
11A	0503015154	5/8" X 2.3/4" BOLT		06
11B	0501010947	5/8 NUT LOCK		06
11C	0503010013	5/8" NUT		12
11D	0501012140	FLAT WASHER		06

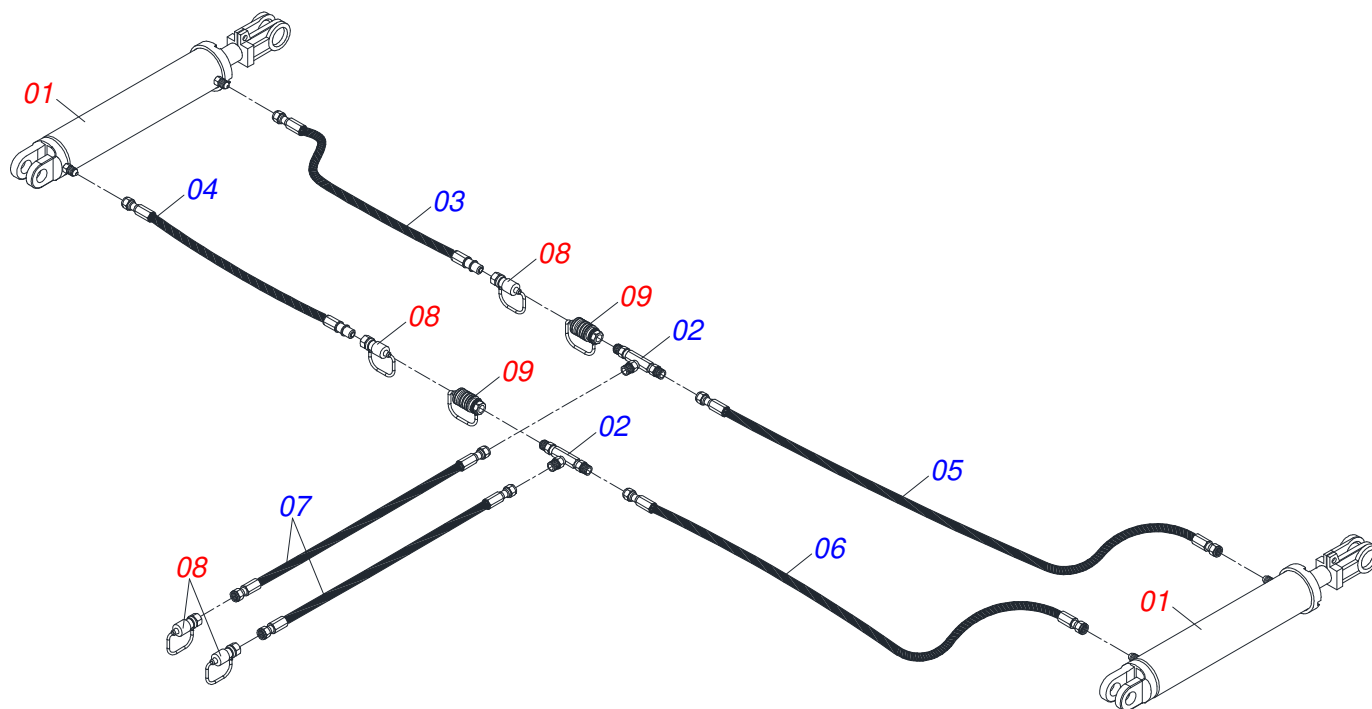


Item	Code	Description	See page	QT
01	0501059898	1.1/2 X 2880 AXLE ASSY		01
01A	0561016111	1.1/2 X 2880 AXLE		01
01B	0501010110	1.1/2" NUT		02
02	0502010627	SPACER		11
03	0501018592	1.5/8" NUT LOCK		02
04	0502010872	1-1/2" INNER AXLE WASHER		01
05	0501012140	FLAT WASHER		02
06	0503012412	5/8 UNC SELF LOCKING NUT		02
07	0503011267	BOLT 5/8 UNC X 1.1/2 C S G.5 ZN		02
08	0601029413	DL22X4,5 C64AF02FR1.9/16 TATU		14
08.	0602029416	DR22X4,5 C64AF02FR1.9/16 10REC TATU		14
08..	0602029396	22X4,75 NOTCHED DISC BLADE		14
08...	0602030419	24" X 4,75" NOTCHED DISC BLADE		14
08....	0601031134	DL24X4,5 C66AF02FR1.9/16 D006 TT		14
09	0501047055	BEARING	26	03
10	0502010871	1-1/2" EXTERNAL AXLE WASHER		01
11	0501058802	5/8 UNC X 2.3/4 BOLT ASSY		06
11A	0503015154	5/8" X 2.3/4" BOLT		06
11B	0501010947	5/8 NUT LOCK		06
11C	0503010013	5/8" NUT		12
11D	0501012140	FLAT WASHER		06
12	0601027299	DL20X4,5 C57AF02FR1.9/16 TATU		01
12.	0602027160	DR20X4,75 C50AF02FR39,29 10REC WIES		01
12..	0602027343	DR20X4,5 C57AF02FR1.9/16 10R TATU		01
12...	0601029414	DL22X4,5 C63AF02FR1.9/16 TATU		01

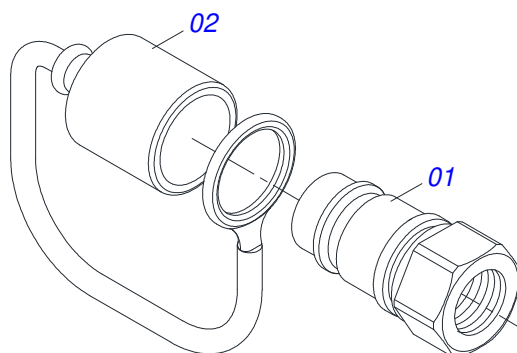
BEARING



Item	Code	Description	See page	QT
01	0502010540	HOUSING DM		01
02	0503010006	32210 ROLLER BEARING		02
03	0502040061	AXLE		01
04	0503030013	4.4" X 3.5" X 0.004" JOINT		03
05	0503030684	4.4" X 3.5" X 0.004" JOINT		02
06	0502020424	HOUSING CAP		01
07	0503010134	3/8" X 1" BOLT		04
08	0503030026	SEAL LP JB-253		02
09	0502010541	SEAL RETAINER		02
10	0502010604	OUTER FLANGE		01
11	0502010605	INNER FLANGE		01
12	0503010856	OIL PLUG		02

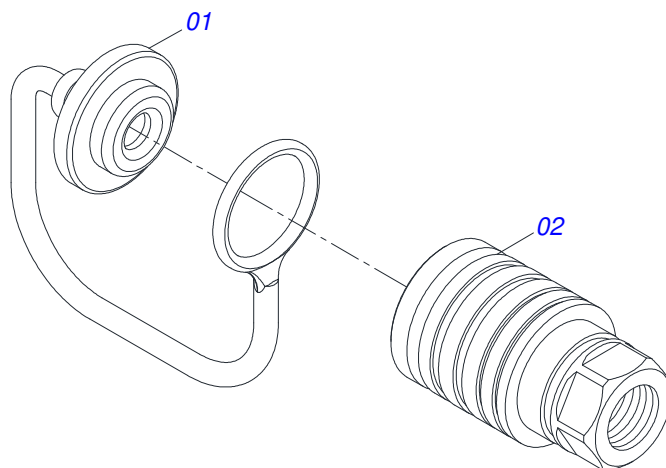


Item	Code	Description	See page	QT
01	0511058461	HYDRAULIC CYLINDER		02
02	0511062886	CONNECTION T		02
03	0501080719	HOSE 3/8 X 5300 TR-TM		01
04	0501081363	3/8 X 4900 TR-TM HOSE		01
05	0501080341	3/8 X 5400 TR-TR HOSE		01
06	0501080835	3/8 X 4700 TR-TR HOSE		01
07	0501080509	TR-TM HOSE ASSY		02
08	0501053834	MALE QUICK COUPLER	28	04
09	0501053835	FEMALE QUICK COUPLER	29	02



Item	Code	Description	See page	QT
01	0503011627	MALE QUICK COUPLER AGR 1/2 NPT		01
02	0503011882	MALE QUICK COUPLER CAP		01





Item	Code	Description	See page	QT
01	0503011883	QUICK CONNECTION COVER		01
02	0503011628	FEMALE QUICK COUPLER		01





**MARCHESAN**

**Technical Publications | Elaboration and Revision**

ALESSANDRA PATRICIA KAWAHARA CARRILI

[www.marchesan.com.br](http://www.marchesan.com.br)

