

**SUBSOILER PLOW**

**AST/MATIC E450 3P - 03/05/07/09/11 STEM**

**Code:** 0501091994  
**Series:** S-0217  
**Revision:** 00  
**Date Revision:** AGOSTO/2017

# PARTS CATALOGUE



**MARCHESAN**



# PRODUCTS

Code	Description	
0101170224	AST/MATIC E 450 3P 11H	S-0217
0101170223	AST/MATIC E 450 3P 11H DC	S-0217
0101170222	AST/MATIC E 450 3P 11H DC RD	S-0217
0101170225	AST/MATIC E 450 3P 11H RD	S-0217
0101170191	AST/MATIC E 450 3P 3H	S-0217
0101170190	AST/MATIC E 450 3P 3H DC	S-0217
0101170189	AST/MATIC E 450 3P 3H DC RD	S-0217
0101170198	AST/MATIC E 450 3P 3H RD	S-0217
0101170197	AST/MATIC E 450 3P 5H	S-0217
0101170196	AST/MATIC E 450 3P 5H DC	S-0217
0101170195	AST/MATIC E 450 3P 5H DC RD	S-0217
0101170201	AST/MATIC E 450 3P 5H RD	S-0217
0101170208	AST/MATIC E 450 3P 7H	S-0217
0101170207	AST/MATIC E 450 3P 7H DC	S-0217
0101170206	AST/MATIC E 450 3P 7H DC RD	S-0217
0101170209	AST/MATIC E 450 3P 7H RD	S-0217
0101170216	AST/MATIC E 450 3P 9H	S-0217
0101170215	AST/MATIC E 450 3P 9H DC	S-0217
0101170214	AST/MATIC E 450 3P 9H DC RD	S-0217
0101170217	AST/MATIC E 450 3P 9H RD	S-0217

## ATTENTION: IMPORTANT

Marchesan S.A. reserves the right to improve and/or modify the technical features of its products, without obligation to do the same with those products already sold and without prior knowledge of the dealer or the consumer. The photos are only illustrative.



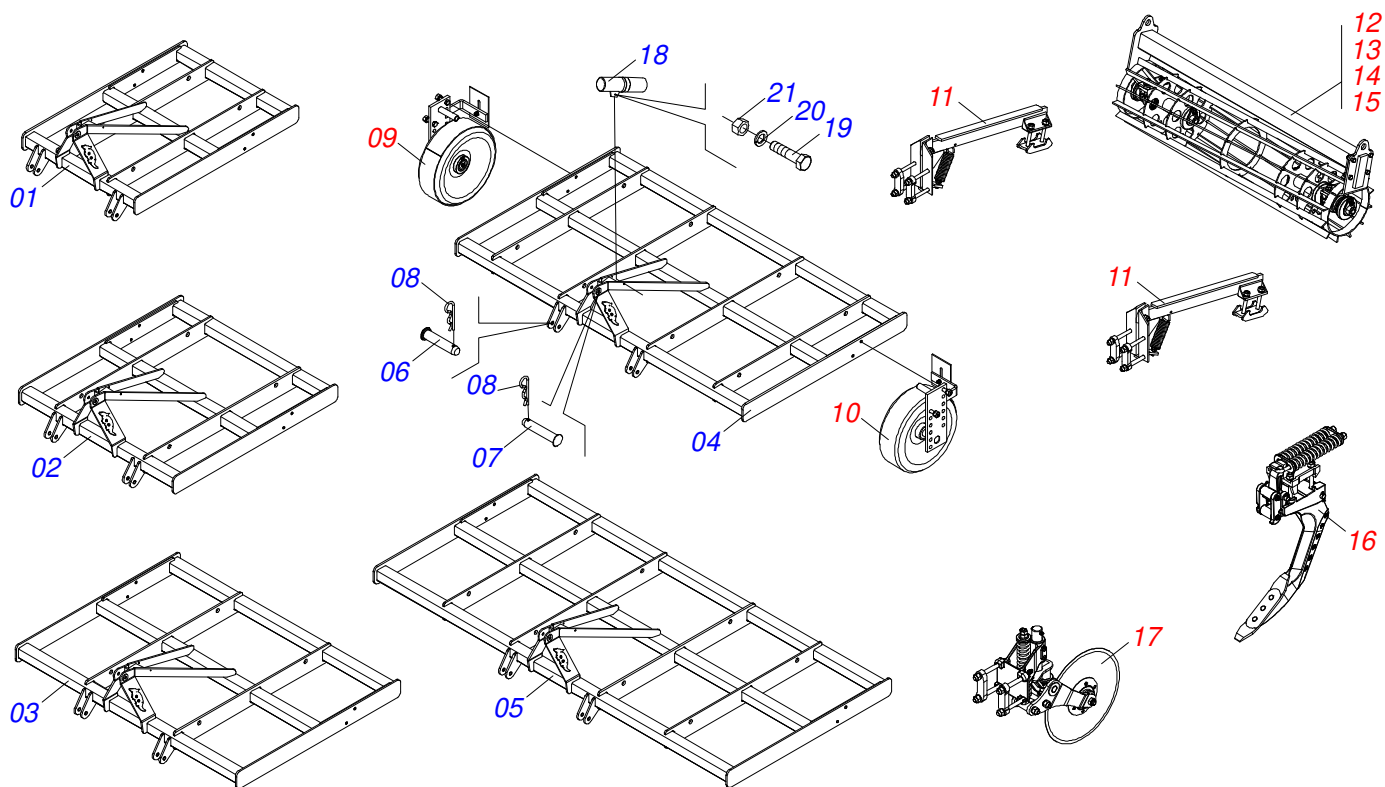
**MARCHESAN**

# INDEX

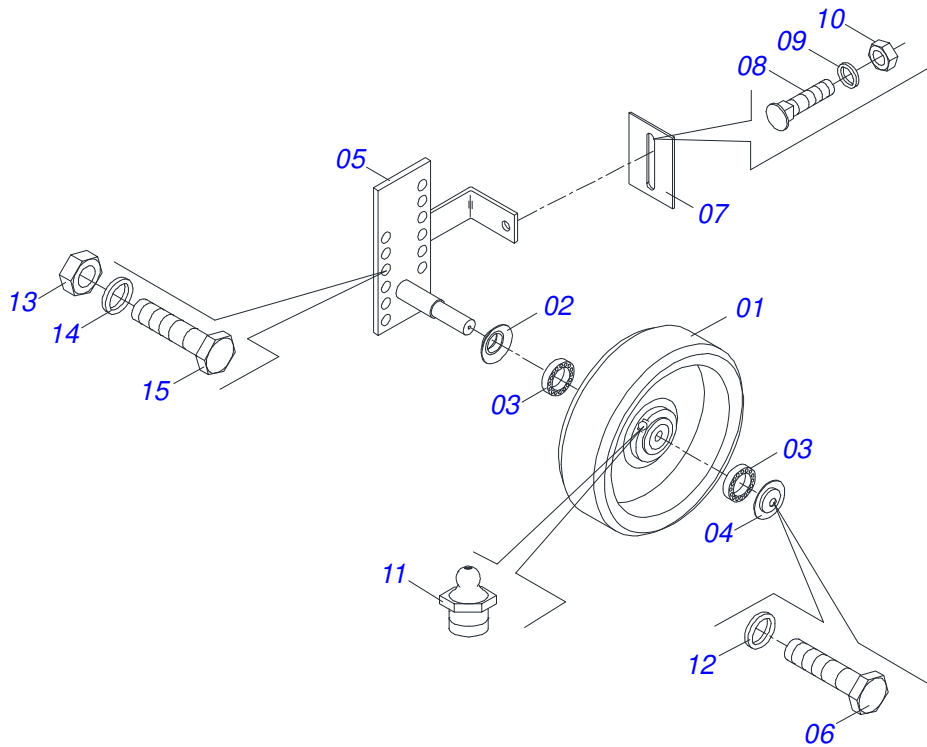
0909093469	ASSY FRAME	.....	1
0501047840	RIGTH DEPTH CONTROL ASSY	.....	2
0501047841	LEFT DEPTH CONTROL ASSY	.....	3
0521047197	ARM CAGE ROLLER ASSEMBLY	.....	4
0521047200	CAGE ROLLER ASSEMBLY	.....	5
0521047198	CAGE ROLLER ASSEMBLY	.....	6
0521047225	CAGE ROLLER ASSEMBLY	.....	7
0521047199	CAGE ROLLER ASSEMBLY	.....	8
0501046922	AGRICULTURAL BEARING DM OL 192.5 X 1.1/4 IMPLEMENT	.....	9
0501049402	SHANKS SYSTEM ASSY	.....	10
0521047261	DISC BLADE ASSY	.....	11
0521050461	DISC BLADE ASSY	.....	12
0511058648	BOX WITH DISC BLADE 20	.....	13
0511056909	DISC BOX CUT WITHOUT DISC	.....	14

ASSY FRAME

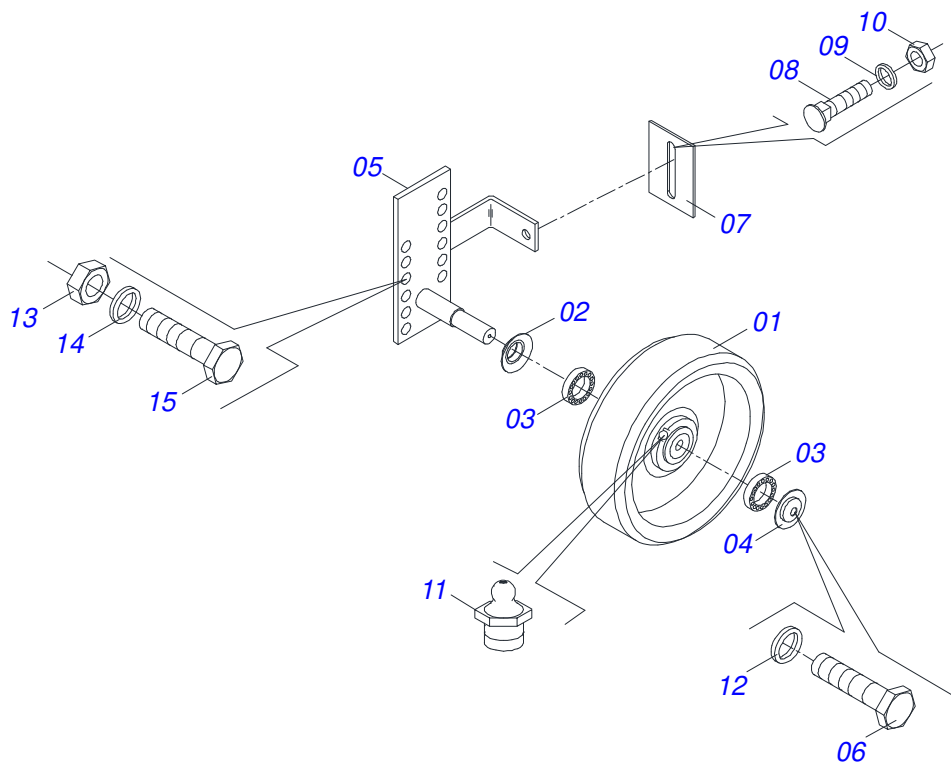
0909093469



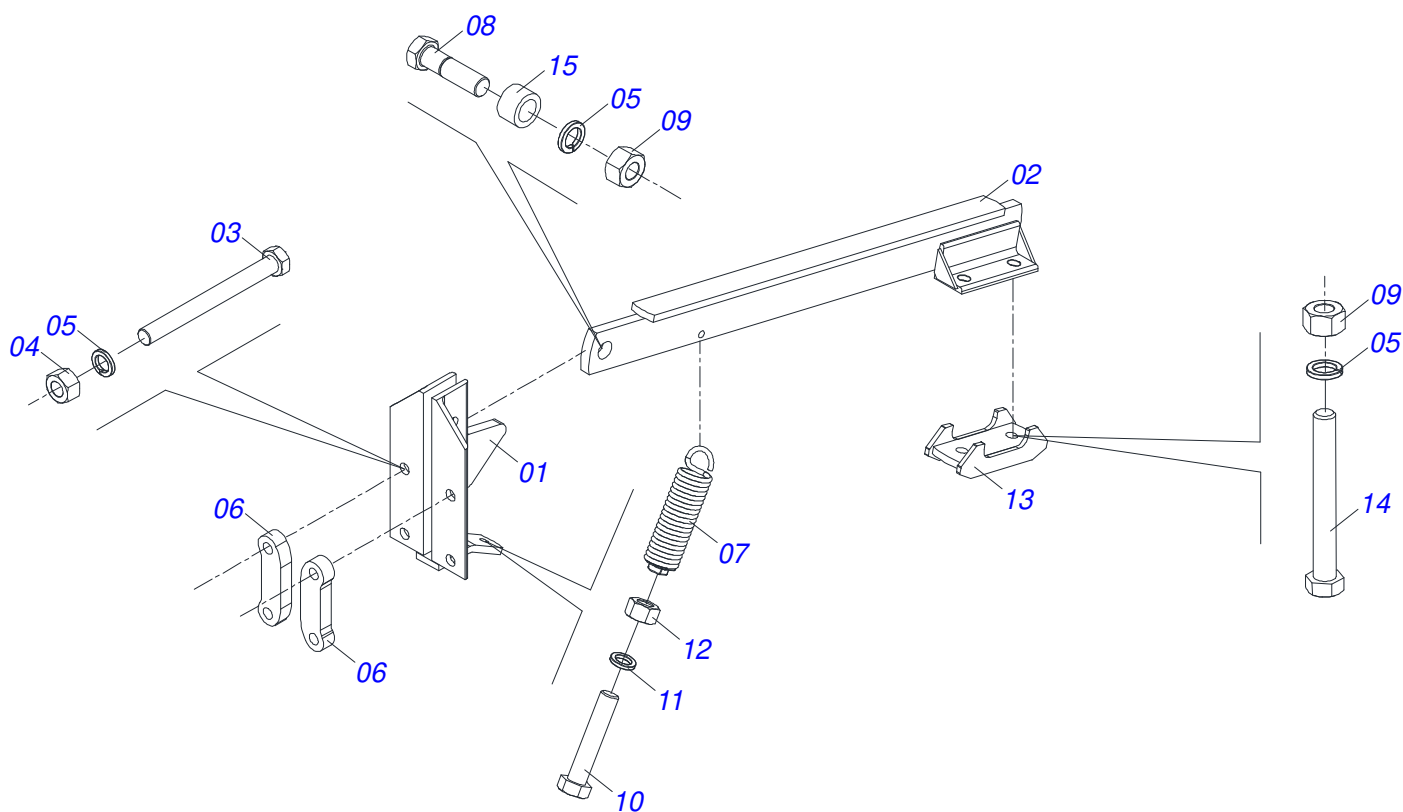
Item	Code	Description	See page	03 05 07 09 11 H.
01	0521067727	FRAME 3		01 00 00 00 00
02	0521067728	FRAME 5		00 01 00 00 00
03	0521067729	FRAME 7		00 00 01 00 00
04	0521067730	FRAME 9		00 00 00 01 00
05	0521067731	FRAME 11		00 00 00 00 01
06	0521010596	COUPLING SHAFT		02 02 02 02 02
07	0521010582	COUPLING SHAFT		01 01 01 01 01
08	0503031035	HITCH PIN CLIP		03 03 03 03 03
09	0501047840	RIGTH DEPTH CONTROL ASSY	2	01 01 01 01 01
10	0501047841	LEFT DEPTH CONTROL ASSY	3	01 01 01 01 01
11	0521047197	ARM CAGE ROLLER ASSEMBLY	4	02 02 04 04 04
12	0521047200	CAGE ROLLER ASSEMBLY	5	01 00 00 01 00
13	0521047198	CAGE ROLLER ASSEMBLY	6	00 01 00 01 01
14	0521047225	CAGE ROLLER ASSEMBLY	7	00 00 02 00 00
15	0521047199	CAGE ROLLER ASSEMBLY	8	00 00 00 01 00
16	0501049402	SHANKS SYSTEM ASSY	10	03 05 07 09 11
17	0521047261	DISC BLADE ASSY	11	03 05 07 09 11
18	0503060100	OPERATOR'S MANUAL STORAGE TUBE		01 01 01 01 01
19	0503010365	NUT		01 01 01 01 01
20	0503010179	LOCK WASHER		01 01 01 01 01
21	0503010337	5/16" NUT		01 01 01 01 01



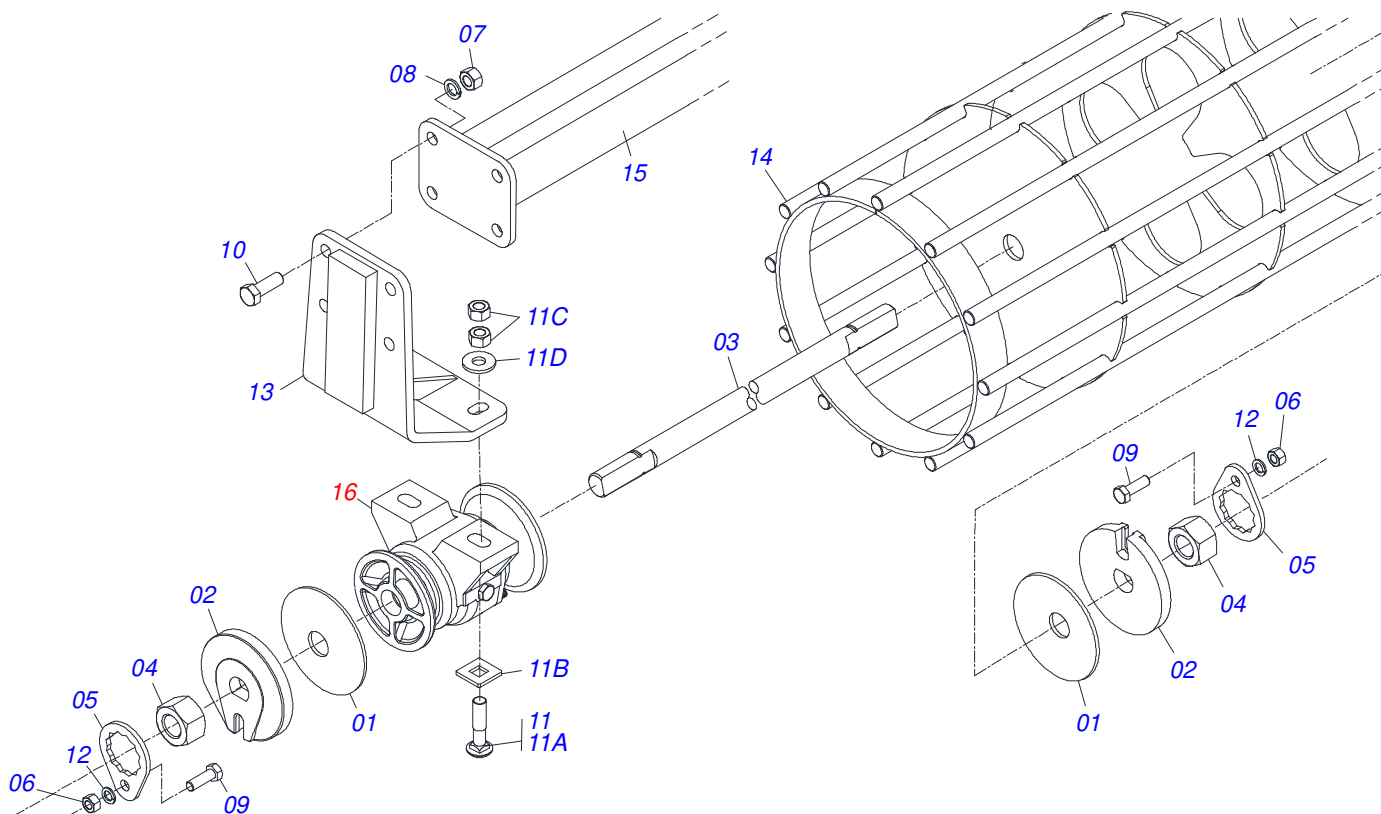
Item	Code	Description	See page	QT
001	0501063799	WHEEL		01
002	0501017454	2.8" X 1.4" X 0.75" DUST CLOAK		01
003	0503010816	6207 RS ROLLER BEARING		02
004	0501017455	2.8" X 0.4" X 0.75" DUST CLOAK		01
005	0501063800	RIGHT WHEEL SUPPORT		01
006	0503010256	3/8" X 3/4" BOLT		01
007	0501013138	SCRAPER		01
008	0501010243	1/2" X 1-1/2" BOLT		01
009	0503011440	SPRING WASHER		01
010	0503012682	1/2" BSW NUT		01
011	0503010691	1/4" GREASE FITTING		01
012	0503011443	3/8" SPRING WASHER		01
013	0503010014	3/4" NUT		02
014	0503010023	3/4" SPRING WASHER		02
015	0501010500	3/4"X3"BOLT		02



Item	Code	Description	See page	QT
001	0501063799	WHEEL		01
002	0501017454	2.8" X 1.4" X 0.75" DUST CLOAK		01
003	0503010816	6207 RS ROLLER BEARING		02
004	0501017455	2.8" X 0.4" X 0.75" DUST CLOAK		01
005	0501063801	LEFT WHEEL SUPPORT		01
006	0503010256	3/8" X 3/4" BOLT		01
007	0501013138	SCRAPER		01
008	0501010243	1/2" X 1-1/2" BOLT		01
009	0503011440	SPRING WASHER		01
010	0503012682	1/2" BSW NUT		01
011	0503010691	1/4" GREASE FITTING		01
012	0503010023	3/4" SPRING WASHER		02
013	0503010014	3/4" NUT		02
014	0503011443	3/8" SPRING WASHER		01
015	0501010500	3/4"X3"BOLT		02

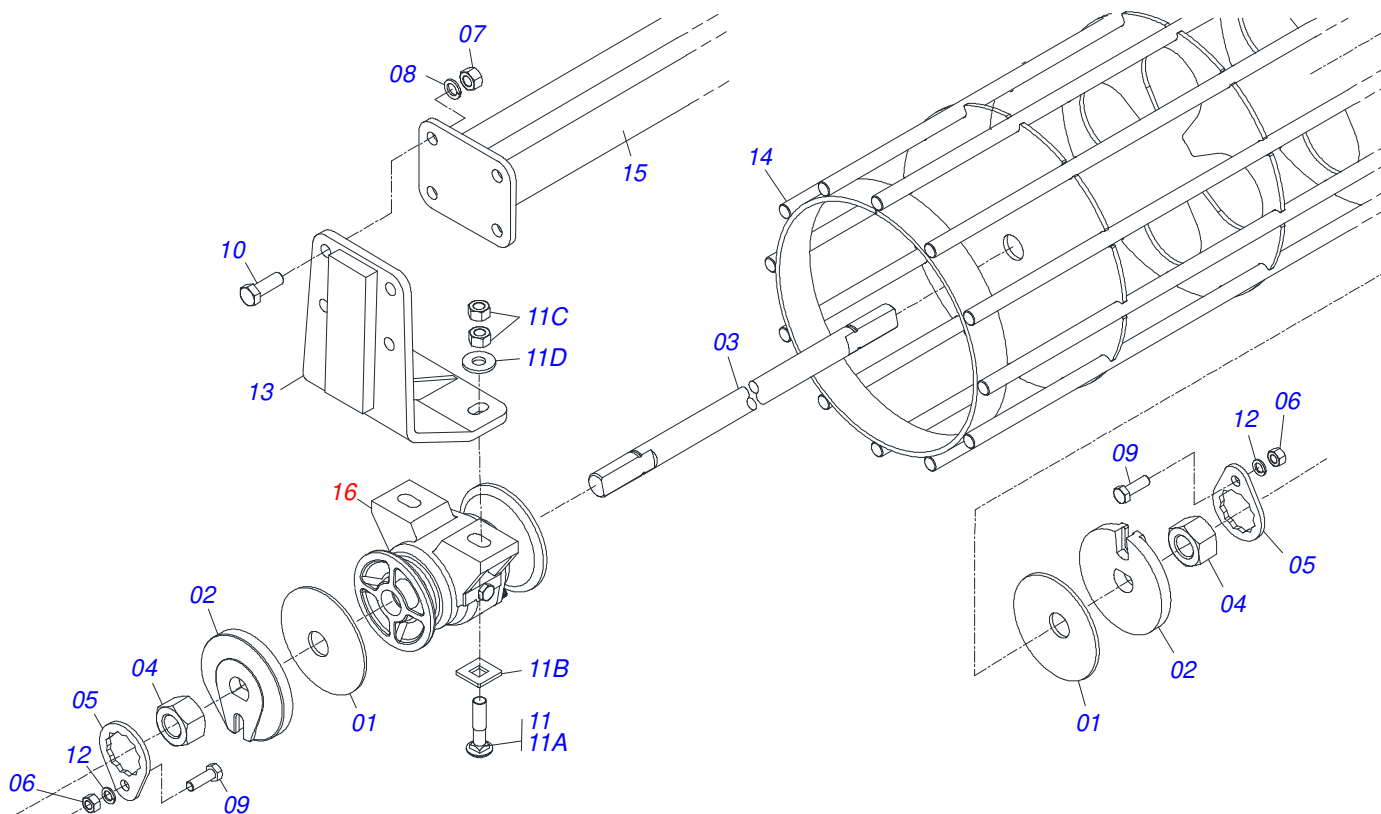


Item	Code	Description	See page	QT
001	0501068437	BREAK ROLLER SUPPORT FIXATION		01
002	0521067724	BRACO ROLO DESTORROADOR		01
003	0503014744	3/4 UNF X 7.1/2 C S G.7 ZN BOLT		04
004	0503010335	3/4"NUT		04
005	0503010023	3/4" SPRING WASHER		07
006	0571011609	FIXER PLATE CUTTING DISC		02
007	0501053355	HITCH TRACTION SPRING		01
008	0501010827	3/4" X 2-3/4" BOLT		01
009	0503010014	3/4" NUT		03
010	0503011264	1/2" X 2-1/2" BOLT		01
011	0511017302	FLAT WASHER		01
012	0503010060	1/2" NUT		01
013	0521067723	FIXER		01
014	0503011198	C3/4" X 6" SCREW		02
015	0511018178	BUSHING		01

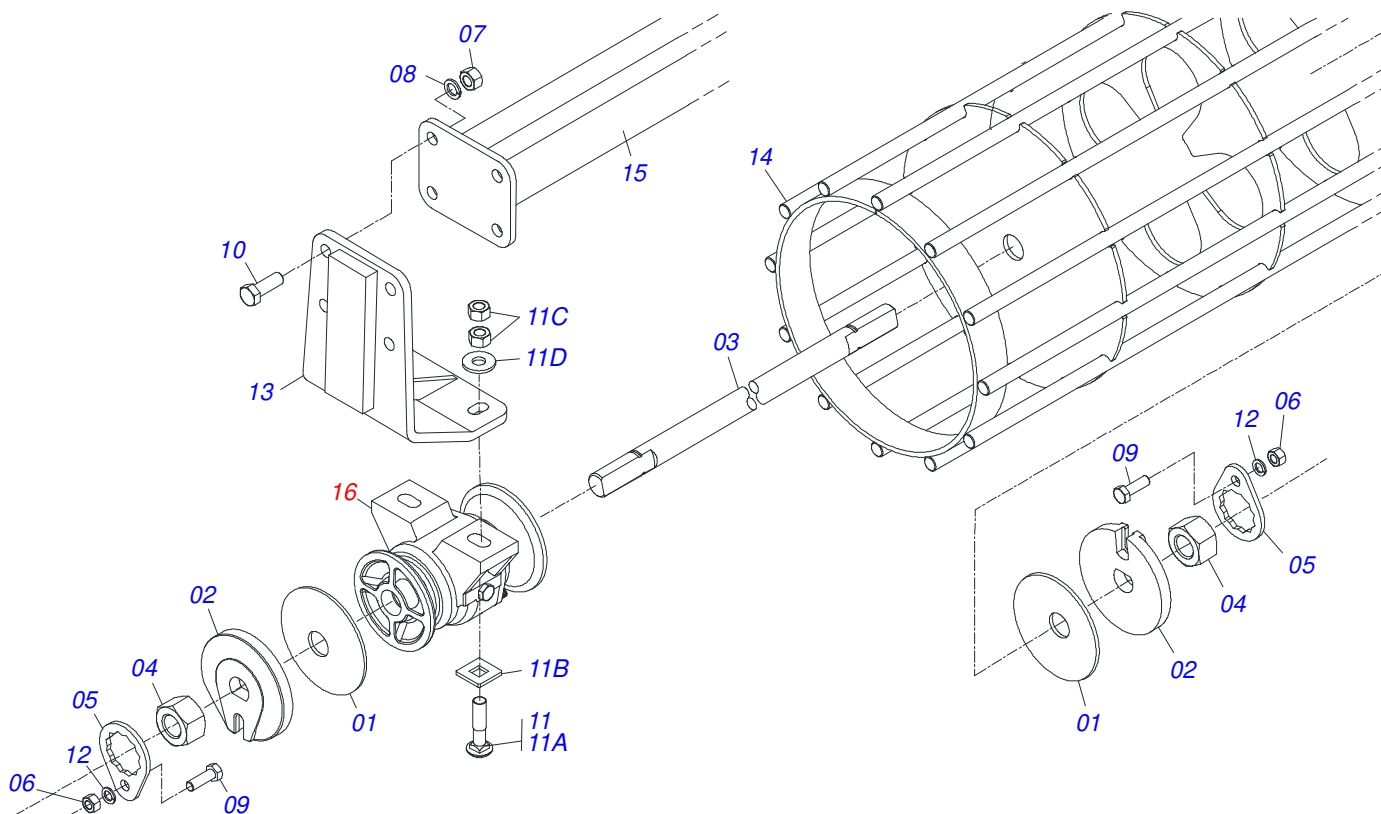


Item	Code	Description	See page	QT
001	0531018575	WASHER CONCAVE		02
002	1902010835	1-1/4" EXTERNAL AXLE WASHER		04
003	0501010752	1.1/4" X 500 AXLE		02
004	0501010087	1.1/4" NUT		04
005	0501010455	1.1/4" NUT LOCK		04
006	0503010060	1/2" NUT		04
007	0503010013	5/8" NUT		04
008	0503011445	SPRING WASHER		04
009	0501010161	1/2" X 1.1/4" BOLT		04
010	0503010232	5/8" X 1.3/4" BOLT		04
011	0501058802	5/8 UNC X 2.3/4 BOLT ASSY		04
011A	0503015154	5/8" X 2.3/4" BOLT		01
011B	0501010947	5/8 NUT LOCK		01
011C	0503010013	5/8" NUT		02
011D	0501012140	FLAT WASHER		01
012	0503011440	SPRING WASHER		04
013	0521062673	BRACKET MOBILE FIXER ROLLER		01
014	0521065547	ARM ROLLE ASSY		01
015	0521065550	BREAK ROLLER SUPPORT		01
016	0501046922	AGRICULTURAL BEARING DM OL 192.5 X 1.1/4 9 IMPLEMENT		02

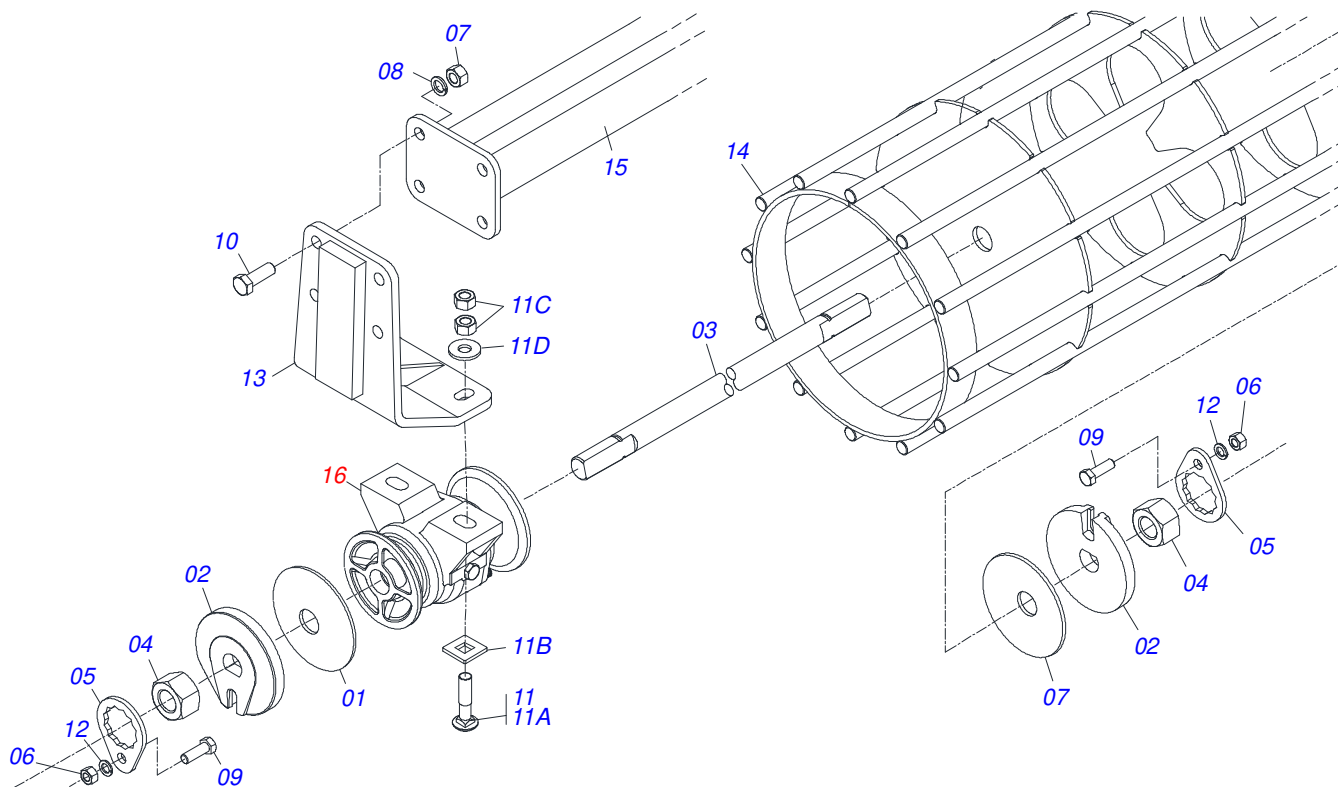




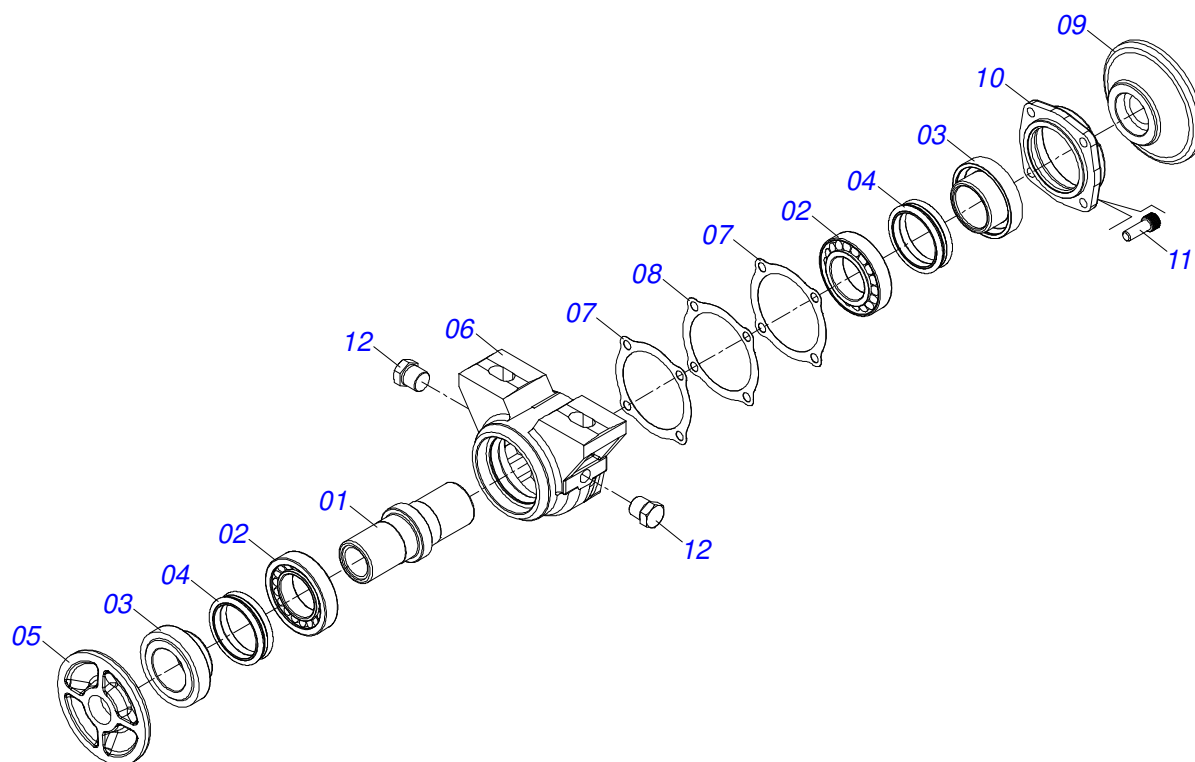
Item	Code	Description	See page	QT
001	0531018575	WASHER CONCAVE		02
002	1902010835	1-1/4" EXTERNAL AXLE WASHER		04
003	0501010752	1.1/4" X 500 AXLE		02
004	0501010087	1.1/4" NUT		04
005	0501010455	1.1/4" NUT LOCK		04
006	0503010060	1/2" NUT		04
007	0503010013	5/8" NUT		04
008	0503011445	SPRING WASHER		04
009	0501010161	1/2" X 1.1/4" BOLT		04
010	0503010232	5/8" X 1.3/4" BOLT		04
011	0501058802	5/8 UNC X 2.3/4 BOLT ASSY		04
011A	0503015154	5/8" X 2.3/4" BOLT		01
011B	0501010947	5/8 NUT LOCK		01
011C	0503010013	5/8" NUT		02
011D	0501012140	FLAT WASHER		01
012	0503011440	SPRING WASHER		04
013	0521062673	BRACKET MOBILE FIXER ROLLER		01
014	0521065479	DESTROYER ROLLER 2290		01
015	0521065480	BREAK ROLLER SUPPORT		01
016	0501046922	AGRICULTURAL BEARING DM OL 192.5 X 1.1/4 9 IMPLEMENT		02



Item	Code	Description	See page	QT
001	0531018575	WASHER CONCAVE		02
002	1902010835	1-1/4" EXTERNAL AXLE WASHER		04
003	0501010752	1.1/4" X 500 AXLE		02
004	0501010087	1.1/4" NUT		04
005	0501010455	1.1/4" NUT LOCK		04
006	0503010060	1/2" NUT		04
007	0503010013	5/8" NUT		04
008	0503011445	SPRING WASHER		04
009	0501010161	1/2" X 1.1/4" BOLT		04
010	0503010232	5/8" X 1.3/4" BOLT		04
011	0501058802	5/8 UNC X 2.3/4 BOLT ASSY		04
011A	0503015154	5/8" X 2.3/4" BOLT		01
011B	0501010947	5/8 NUT LOCK		01
011C	0503010013	5/8" NUT		02
011D	0501012140	FLAT WASHER		01
012	0503011440	SPRING WASHER		04
013	0521062673	BRACKET MOBILE FIXER ROLLER		01
014	0521065546	ROLLER		01
015	0521065549	SUPPORT		01
016	0501046922	AGRICULTURAL BEARING DM OL 192.5 X 1.1/4 9 IMPLEMENT		02

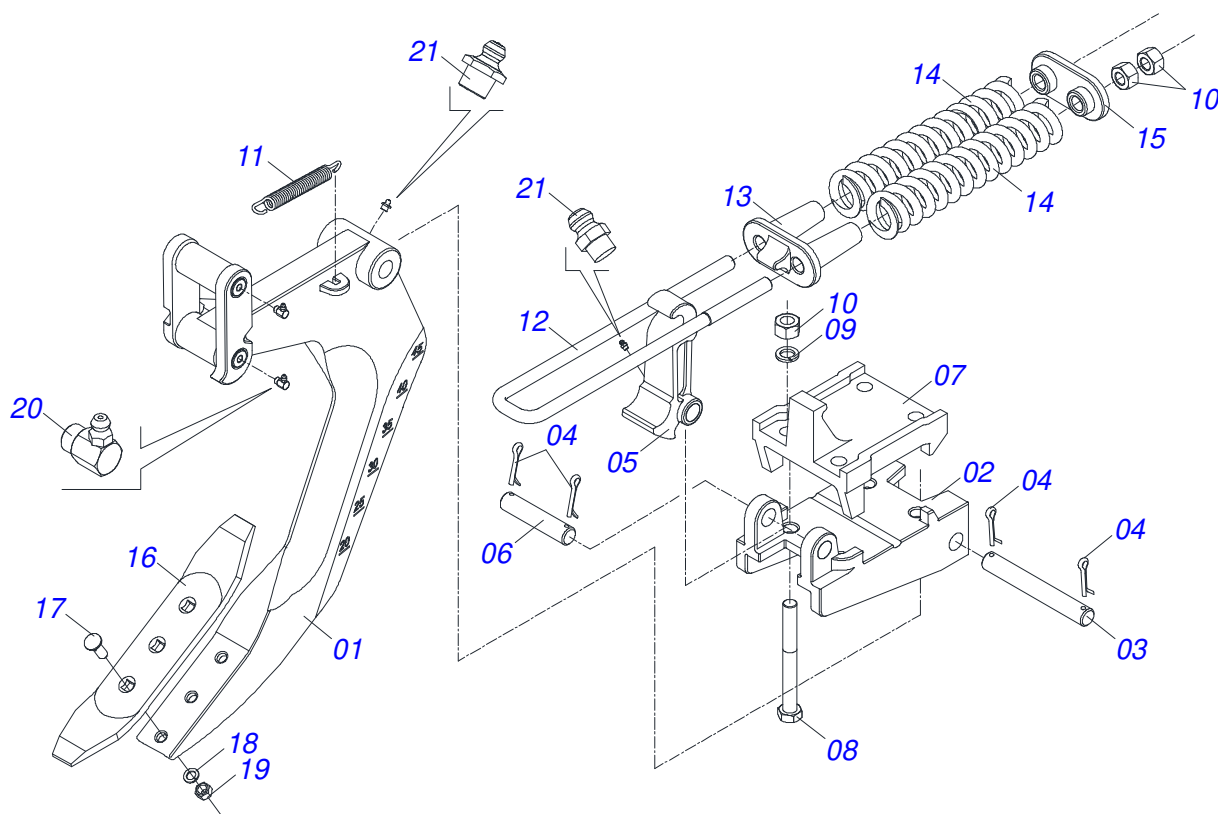


Item	Code	Description	See page	QT
001	0531018575	WASHER CONCAVE		02
002	1902010835	1-1/4" EXTERNAL AXLE WASHER		04
003	0501010752	1.1/4" X 500 AXLE		02
004	0501010087	1.1/4" NUT		04
005	0501010455	1.1/4" NUT LOCK		04
006	0503010060	1/2" NUT		04
007	0503010013	5/8" NUT		04
008	0503011445	SPRING WASHER		04
009	0501010161	1/2" X 1.1/4" BOLT		04
010	0503010232	5/8" X 1.3/4" BOLT		04
011	0501058802	5/8 UNC X 2.3/4 BOLT ASSY		04
011A	0503015154	5/8" X 2.3/4" BOLT		01
011B	0501010947	5/8 NUT LOCK		01
011C	0503010013	5/8" NUT		02
011D	0501012140	FLAT WASHER		01
012	0503011440	SPRING WASHER		04
013	0521062673	BRACKET MOBILE FIXER ROLLER		01
014	0521065548	BREAK ROLLER SUPPORT		01
015	0521065551	BREAK ROLLER SUPPORT 2030 EST/MATIC		01
016	0501046922	AGRICULTURAL BEARING DM OL 192.5 X 1.1/4 9 IMPLEMENT		02

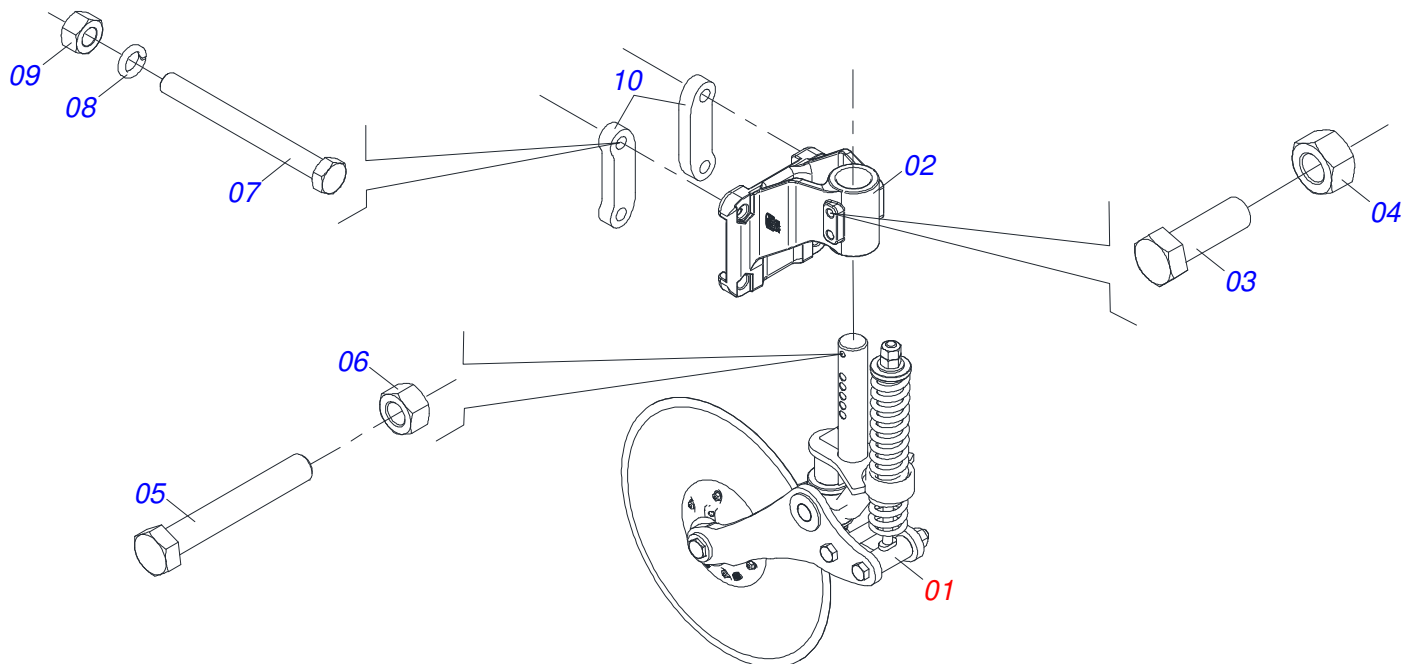


Item	Code	Description	See page	QT
01	0502040218	AXLE		01
02	0503010111	30210 ROLLER BEARING		02
03	0502010541	SEAL RETAINER		02
04	0503030026	SEAL LP JB-253		02
05	0502010071	INNER FLANGE		01
06	0502010540	HOUSING DM		01
07	0503030013	4.4" X 3.5" X 0.004" JOINT		02
08	0503030684	4.4" X 3.5" X 0.004" JOINT		01
09	0502010070	OUTER FLANGE		01
10	0502020424	HOUSING CAP		01
11	0503010134	3/8" X 1" BOLT		04
12	0503010856	OIL PLUG		02
13	3402301247	MINERAL OIL GREASE		0,11Lts

SHANKS SYSTEM ASSY

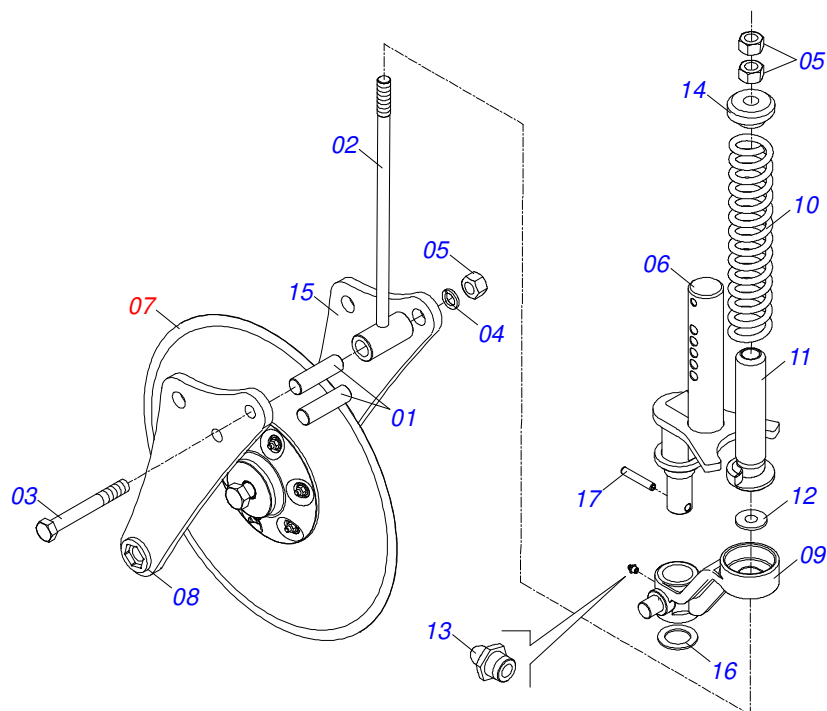


Item	Code	Description	See page	QT
01	0511061712	ARM SUBSOILER		01
02	0502012692	FIXING BASE		01
03	0521017725	1" X 7.4" COUPLING SHAFT		02
04	0503010571	1/4" X 1.1/2 COTTERPIN		04
05	0502011864	AST/MATIC 450 RESET		01
06	0521017724	1" X 6.2" COUPLING SHAFT		01
07	0502012691	FIXER BASE UPPER		01
08	0503012729	3/4" X 6-3/4" BOLT		04
09	0503011442	3/4" SPRING WASHER		04
10	0503010014	3/4" NUT		08
11	0503031574	6.9" X 0.8" X 0.1" EXTENSION SPRING		01
12	0521015426	3/4" X 18" FASTENER		01
13	0502011860	SPRING LOWER SUPPORT		01
14	0503031575	2.5"X 12" X 0.5" COMPRESSION SPRING		02
15	0502011866	SPRING UPPER SUPPORT		01
16	0624010005	POINT SUBSOILER 16"X3"X1/2" E019		01
17	0503012956	1/2" X 1-1/2" BOLT		03
18	0503011440	SPRING WASHER		03
19	0503010020	1/2"NUT		03
20	0503010004	1890 GREASE FITTING		01
21	0503010002	1800 GREASE FITTING		02

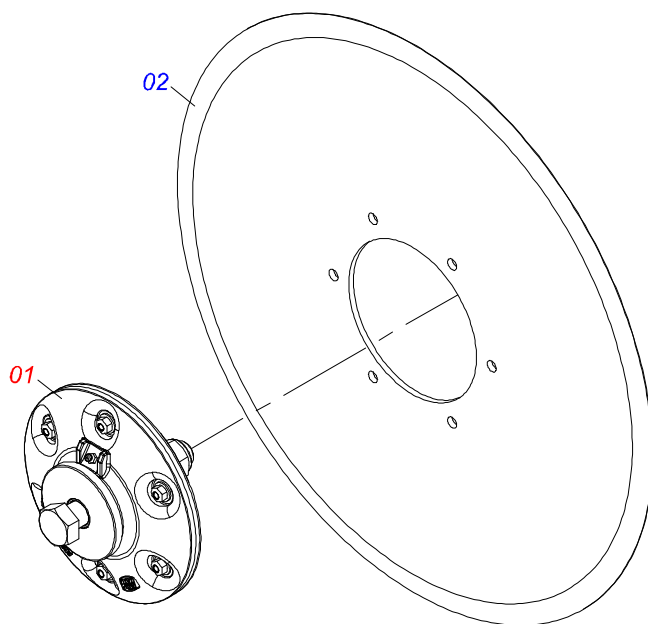


Item	Code	Description	See page	QT
001	0521050461	DISC BLADE ASSY	12	01
002	0502012796	BLADE DISC SUPPORT ASSY		01
003	0503034318	5/8 UNC X 2 BOLT		02
004	0503010013	5/8" NUT		02
005	0503011268	3/8" X 2-1/2" BOLT		01
006	0503010026	3/8" NUT		01
007	0503014744	3/4 UNF X 7.1/2 C S G.7 ZN BOLT		04
008	0503010023	3/4" SPRING WASHER		04
009	0503010335	3/4"NUT		04
010	0571011609	FIXER PLATE CUTTING DISC		02

DISC BLADE ASSY

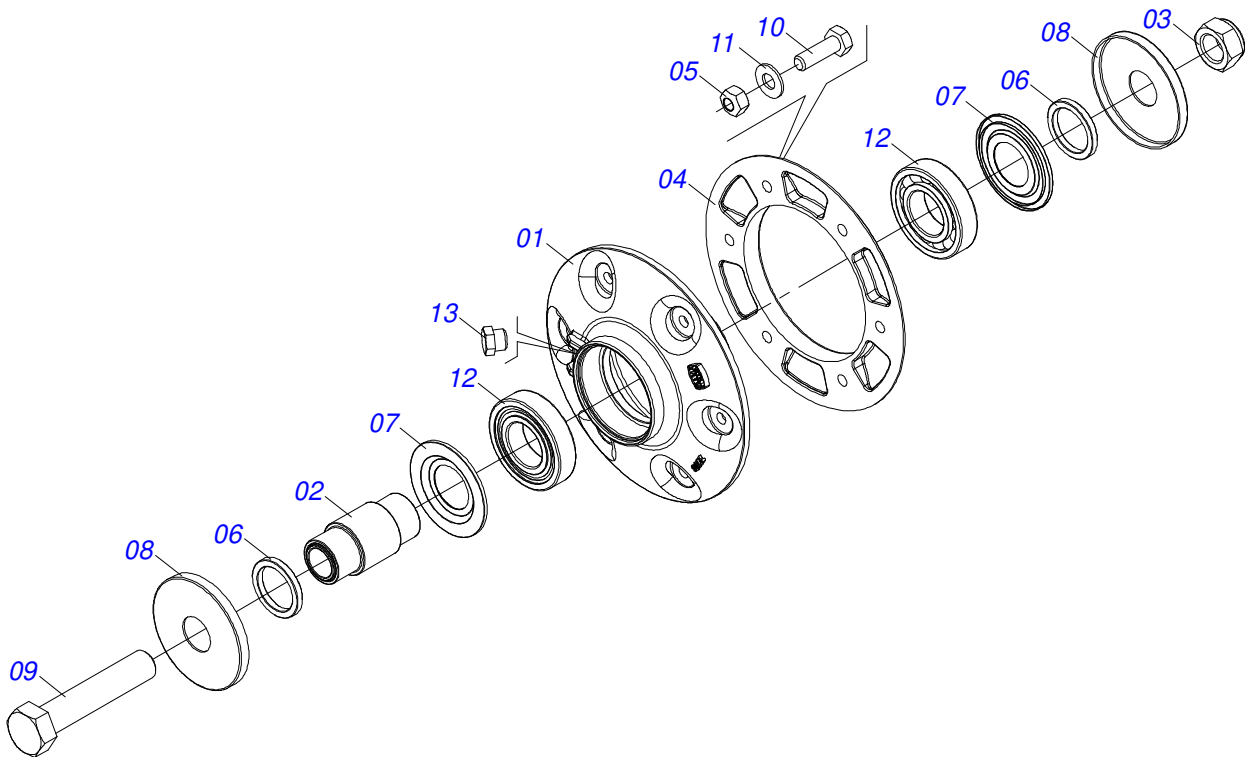


Item	Code	Description	See page	QT
001	0521010452	SLEEVE		02
002	0521067579	SPRING ROD		01
003	0503011198	C3/4" X 6" SCREW		02
004	0503011442	3/4" SPRING WASHER		02
005	0503010014	3/4" NUT		04
006	0521067547	BLADE DISC AXLE ASSY		01
007	0511058648	BOX WITH DISC BLADE 20	13	01
008	0521067549	RIGHT ARM OF THE BLADE DISC		01
009	0581013586	DISC BLADE SUPPORT		01
010	0503034431	COMPRESSSION SPRING		01
011	0521067546	GUIDE ASSY		01
012	0501010322	FLAT WASHER		01
013	0503010002	1800 GREASE FITTING		01
014	0581013584	SPRING UPPER GUIDE		01
015	0521067548	LEFT ARM OF THE BLADE DISC		01
016	0581013579	FLAT WASHER		01
017	0503010842	0.39" X 2.95" SPRING PIN		01



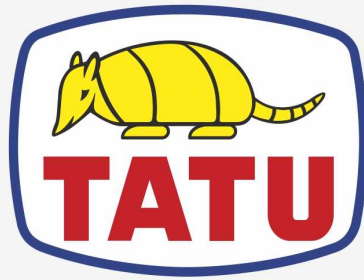
Item	Code	Description	See page	QT
01	0511056909	DISC BOX CUT WITHOUT DISC	14	01
02	0603027851	20" X 0.2" FLAT PLAIN DISC		01





Item	Code	Description	See page	QT
01	0502012793	DISC HUB		01
02	0571018047	CUTTING DISC BOX SHAFT		01
03	0503017755	NUT		01
04	0502020641	BLADE DISC FLANGE		01
05	0503013816	5/16" LOCKNUT		06
06	0571018048	BACKREST WASHER		02
07	0521065882	NILOS SEALING RING		02
08	0571018049	DOOR DUST		02
09	0581010575	7/8" X 145 BOLT		01
10	0503018825	5/16 UNC UNC BOLT		06
11	0501010694	FLAT WASHER		06
12	0503016061	BEARING		02
13	0511017907	1/8" BSPT X 6 PLUG		01





**MARCHESAN**

**Technical Publications | Elaboration and Revision**

LUIZ CANDIDO

[www.marchesan.com.br](http://www.marchesan.com.br)

