

HINGE TYPE OFFSET DISK HARROW

GNCRPE 230 - 28/32/36/40/44/48/52/56/60D

Code: 0501091990
Series: S-0514
Revision: 00
Date Revision: JUNHO/2022

PARTS CATALOGUE



MARCHESAN



PRODUCTS

Code	Description
0102520046	GNCRPE 230 28X24X6 DR LIM/PA S-0514
0102520045	GNCRPE 230 28X24X6 MT LIM/PA S-0514
0102520048	GNCRPE 230 32X24X6 DR LIM/PA S-0514
0102520047	GNCRPE 230 32X24X6 MT LIM/PA S-0514
0102520050C	GNCRPE 230 36X24X6 DR LIM/PA EXP S-0514
0102520050	GNCRPE 230 36X24X6 DR LIM/PA S-0514
0102520049	GNCRPE 230 36X24X6 MT LIM/PA S-0514
0102520052	GNCRPE 230 40X24X6 DR LIM/PA S-0514
0102520051	GNCRPE 230 40X24X6 MT LIM/PA S-0514
0102520054	GNCRPE 230 44X24X6 DR LIM/PA S-0514
0102520053	GNCRPE 230 44X24X6 MT LIM/PA S-0514
0102520056	GNCRPE 230 48X24X6 DR LIM/PA S-0514
0102520055	GNCRPE 230 48X24X6 MT LIM/PA S-0514
0102520058	GNCRPE 230 52X24X6 DR LIM/PA S-0514
0102520057	GNCRPE 230 52X24X6 MT LIM/PA S-0514
0102520060	GNCRPE 230 56X24X6 DR LIM/PA S-0514
0102520059	GNCRPE 230 56X24X6 MT LIM/PA S-0514
0102520062	GNCRPE 230 60X24X6 DR LIM/PA S-0514
0102520061	GNCRPE 230 60X24X6 MT LIM/PA S-0514

ATTENTION: IMPORTANT

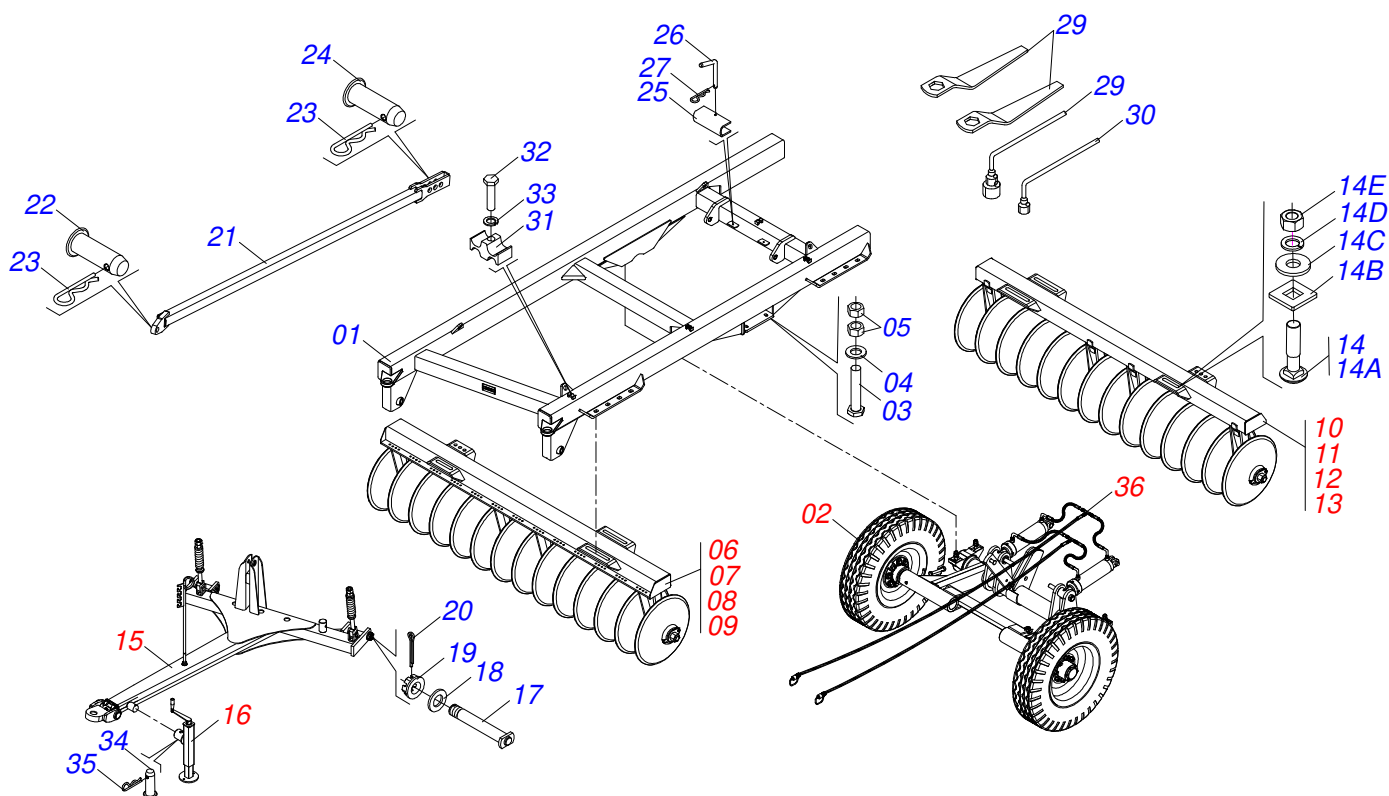
Marchesan S.A. reserves the right to improve and/or modify the technical features of its products, without obligation to do the same with those products already sold and without prior knowledge of the dealer or the consumer. The photos are only illustrative.



MARCHESAN

INDEX

0909092876	FRAME ASSY 28/32/36/40D	1
0909092877	FRAME ASSY44/48/52/56/60D	2
0909092809	WHEELS ASSY	3
0909092821	WHEELS ASSY 44/48/52/56/60D	4
0521042030	WHEEL WITHOUT TIRE S-0514	5
0503060213	35.4"X0.80"-14L WHEEL AND TIRE ASSY	6
0511058405	HYDRAULIC CYLINDER 50,80 X 101,60 X 561 X 252	7
0909092857	FRAME ASSY FRONT - 28D	8
0909092858	FRAME REAR ASSY - 28D	9
0909092859	FRAME ASSY FRONT - 32D	10
0909092860	FRAME REAR ASSY - 32D	11
0909092861	FRAME ASSY FRONT - 36D	12
0909092862	FRAME REAR ASSY - 36D	13
0909092863	FRAME ASSY FRONT - 40D	14
0909092864	FRAME REAR ASSY - 40D	15
0909092865	FRAME ASSY FRONT - 44D	16
0909092866	FRAME REAR ASSY - 44D	17
0909092867	FRAME ASSY FRONT - 48D	18
0909092868	ASSY REAR FRAME - 48D	19
0909092869	FRAME ASSY FRONT - 52D	20
0909092870	FRAME REAR ASSY - 52D	21
0909092871	FRAME ASSY FRONT - 56D	22
0909092872	FRAME REAR ASSY - 56D	23
0909092873	FRAME ASSY FRONT - 60D	24
0909092874	FRAME REAR ASSY - 60D	25
0501046312	OIL BATH BEARING	26
0909092848	DRAWBAR ASSY 28/32/36/40D	27
0909092835	DRAWBAR ASSY 44/48/52/56/60D	28
0501040257	3/4 X 1200 HOSE HOLDER A	29
0909091649	HIDRAULIC CIRCUIT ASSY - 28/32/36/40D	30
0909092158	HIDRAULIC CIRCUIT ASSY - 44/48/52/56/60D	31
0501053834	MALE QUICK COUPLER	32



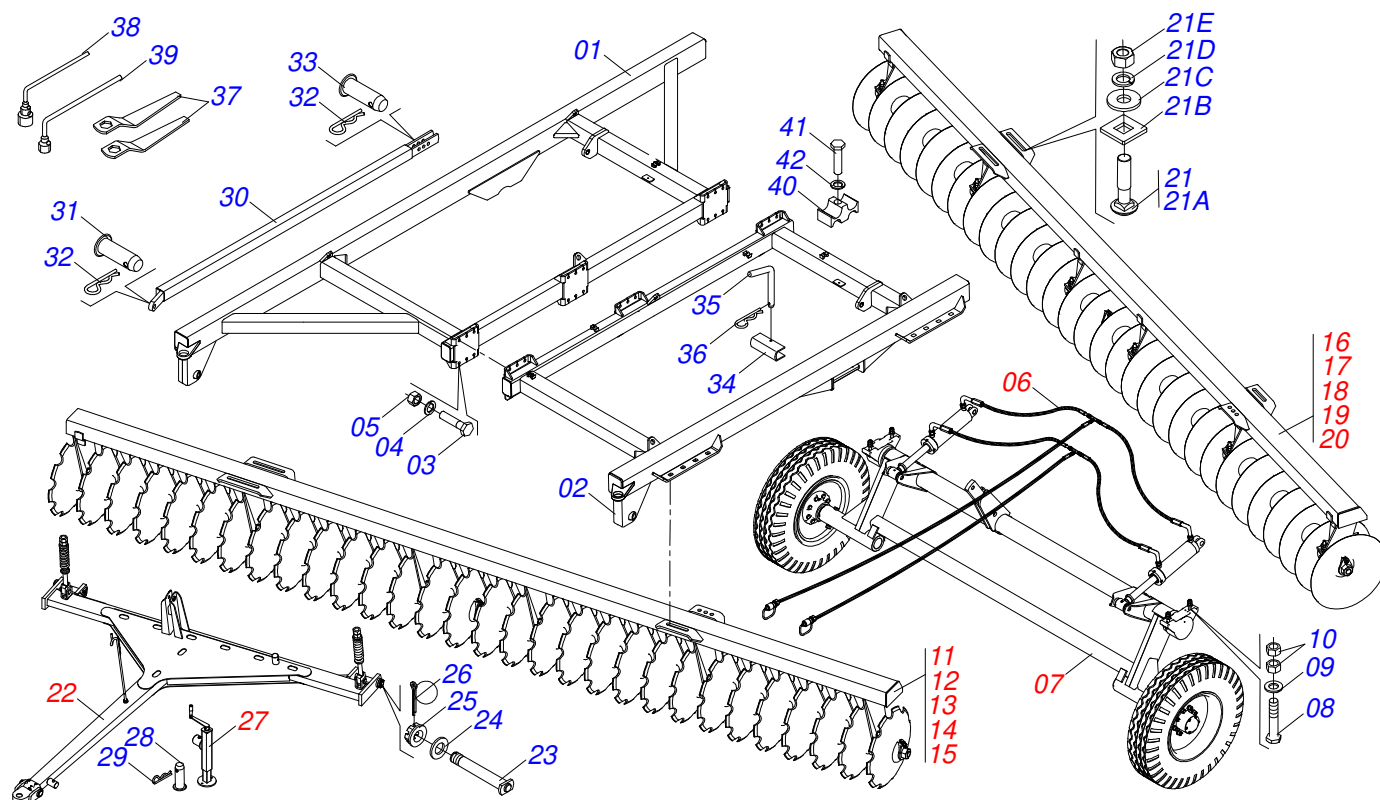
Item	Code	Description	See page	28	32	36	40
01	0521065038	FRAME		01	01	01	01
02	0909092809	WHEELS ASSY	3	01	01	01	01
03	0503010797	3/4" X 4" BOLT		04	04	04	04
04	0521013710	WASHER SEMIMAN		04	04	04	04
05	0503012183	SNC 3/4" ZIN 1K03097 NUT		08	08	08	08
06	0909092810	FRAME COMPLETE FRONT		01	00	00	00
07	0909092815	FRAME COMPLETE FRONT		00	01	00	00
08	0909092817	FRAME COMPLETE FRONT		00	00	01	00
09	0909092819	FRAME COMPLETE FRONT		00	00	00	01
10	0909092811	FRAME REAR COMPLETE		01	00	00	00
11	0909092816	FRAME REAR COMPLETE		00	01	00	00
12	0909092818	FRAME REAR COMPLETE		00	00	01	00
13	0909092820	FRAME REAR COMPLETE		00	00	00	01
14	0511053783	1" X 3-1/2 BOLT FOR SET		08	08	08	08
14A	0503016783	1" X 3-1/2" BOLT		08	08	08	08
14B	0571014335	1" SQUARE WASHER		08	08	08	08
14C	0501014509	FLAT WASHER		08	08	08	08
14D	0503010012	1" SPRING WASHER		08	08	08	08
14E	0501010059	1.5/8 NUT		08	08	08	08
15	0511055708	DRAWBAR ASSY		01	01	01	01
16	0511048088	DRAWBAR JACK		01	01	01	01
17	0521062959	38,1 X 265 AXLE		02	02	02	02
18	0501012916	FLAT WASHER 38,50 X 66 X 4,75 ZN		02	02	02	02
19	0501011301	1.1/2 UNC 6FPP 2.5/16 NUT		02	02	02	02
20	0503010010	1/4" X 2.1/2" COTTERPIN		02	02	02	02
21	0521065037	STABILIZER BAR		01	01	01	01
22	0511011887	COUPLING SHAFT		01	01	01	01
23	0503031035	HITCH PIN CLIP		02	02	02	02
24	0521010576	0.9" X 3.7" COUPLING SHAFT		01	01	01	01
25	0551010280	253 TRANSPORT LOCK		02	02	02	02
26	0541016844	FIXER LOCK		02	02	02	02



FRAME ASSY 28/32/36/40D

0909092876

Item	Code	Description	See page	28	32	36	40
27	0503030285	HITCH PIN CLIP		02	02	02	02
28	0501011431	1-3/4" GANG BOLT WRENCH		02	02	02	02
29	0501061617	1" GANG BOLT WRENCH		01	01	01	01
30	0503016140	3/4" WRENCH CABLE CYLINDRICAL		01	01	01	01
31	0502012702	BODY SUPPORT CLAMP		05	05	05	05
32	0503012555	SCREW 7/16 UNC X 2 CS RT G.7 ZN		05	05	05	05
33	0503010180	7/16" SPRING WASHER		05	05	05	05
34	0561014251	COUPLING SHAFT		01	01	01	01
35	0503030012	HITCH PIN CLIP		01	01	01	01
36	0909091649	HIDRAULIC CIRCUIT ASSY - 28/32/36/40D	30	01	01	01	01



Item	Code	Description	See page	44	48	52	56	60
01	0521063830	FRAME RIGHT		01	01	01	01	01
02	0521063199	LEFT FRAME		01	01	01	01	01
03	0501010098	3/4" UNC BOLT		18	18	18	18	18
04	0503010023	3/4" SPRING WASHER		18	18	18	18	18
05	0503012183	SNC 3/4" ZIN 1K03097 NUT		18	18	18	18	18
06	0909092158	HIDRAULIC CIRCUIT ASSY - 44/48/52/56/60D	31	01	01	01	01	01
07	0909092821	WHEELS ASSY 44/48/52/56/60D	4	01	01	01	01	01
08	0503010797	3/4" X 4" BOLT		04	04	04	04	04
09	0521013710	WASHER SEMIMAN		04	04	04	04	04
10	0503012183	SNC 3/4" ZIN 1K03097 NUT		08	08	08	08	08
11	0909092825	FRAME COMPLETE FRONT		01	00	00	00	00
12	0909092826	FRAME COMPLETE FRONT		00	01	00	00	00
13	0909092827	FRAME COMPLETE FRONT		00	00	01	00	00
14	0909092828	FRAME COMPLETE FRONT		00	00	00	01	00
15	0909092829	FRAME COMPLETE FRONT		00	00	00	00	01
16	0909092830	FRAME REAR COMPLETE		01	00	00	00	00
17	0909092831	FRAME REAR COMPLETE		00	01	00	00	00
18	0909092832	FRAME REAR COMPLETE		00	00	01	00	00
19	0909092833	FRAME REAR COMPLETE		00	00	00	01	00
20	0909092834	FRAME REAR COMPLETE		00	00	00	00	01
21	0511053783	1" X 3-1/2 BOLT FOR SET		08	08	08	08	08
21A	0503016783	1" X 3-1/2" BOLT		08	08	08	08	08
21B	0571014335	1" SQUARE WASHER		08	08	08	08	08
21C	0501014509	FLAT WASHER		08	08	08	08	08
21D	0503010012	1" SPRING WASHER		08	08	08	08	08
21E	0501010059	1.5/8 NUT		08	08	08	08	08
22	0909092835	DRAWBAR ASSY 44/48/52/56/60D	28	01	01	01	01	01
23	0521062959	38,1 X 265 AXLE		02	02	02	02	02
24	0501012916	FLAT WASHER 38,50 X 66 X 4,75 ZN		02	02	02	02	02
25	0501011301	1.1/2 UNC 6FPP 2.5/16 NUT		02	02	02	02	02
26	0503010010	1/4" X 2.1/2" COTTERPIN		02	02	02	02	02

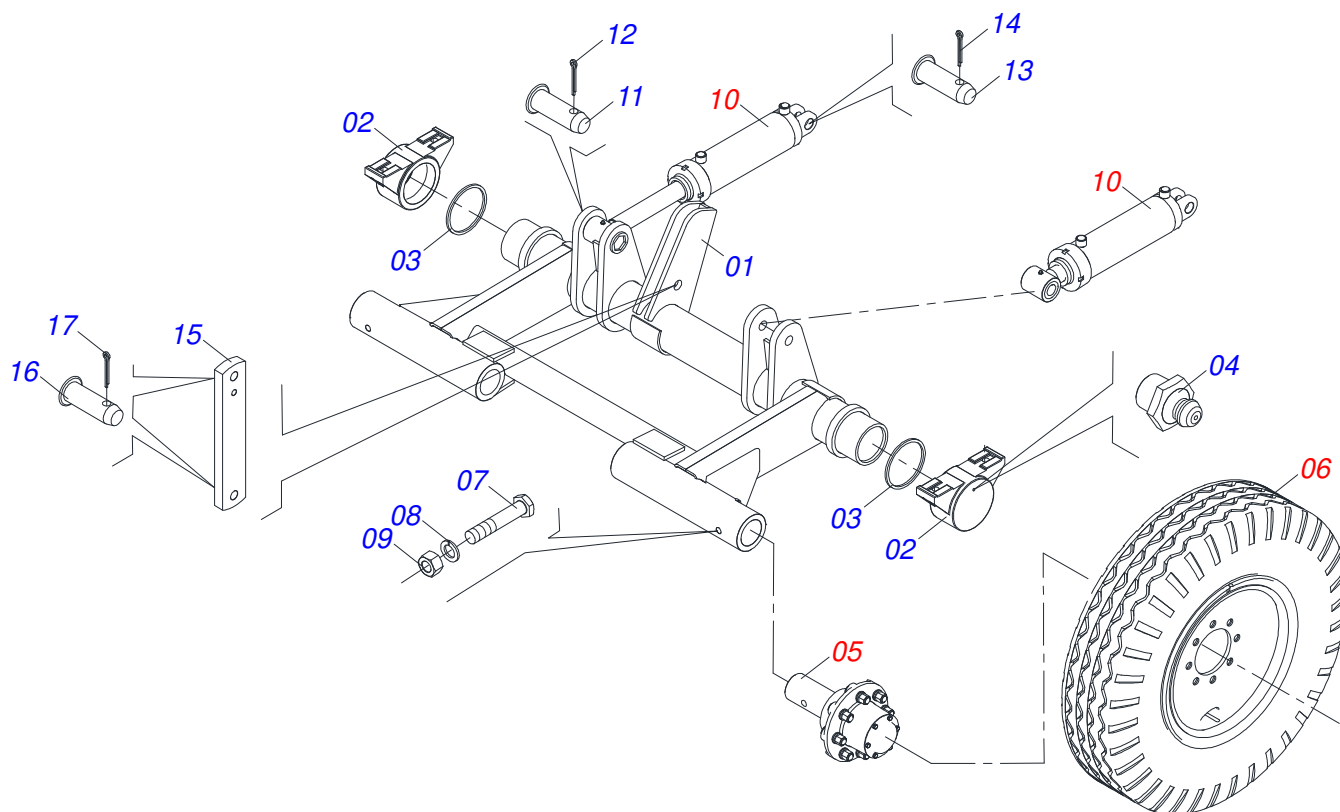


FRAME ASSY44/48/52/56/60D

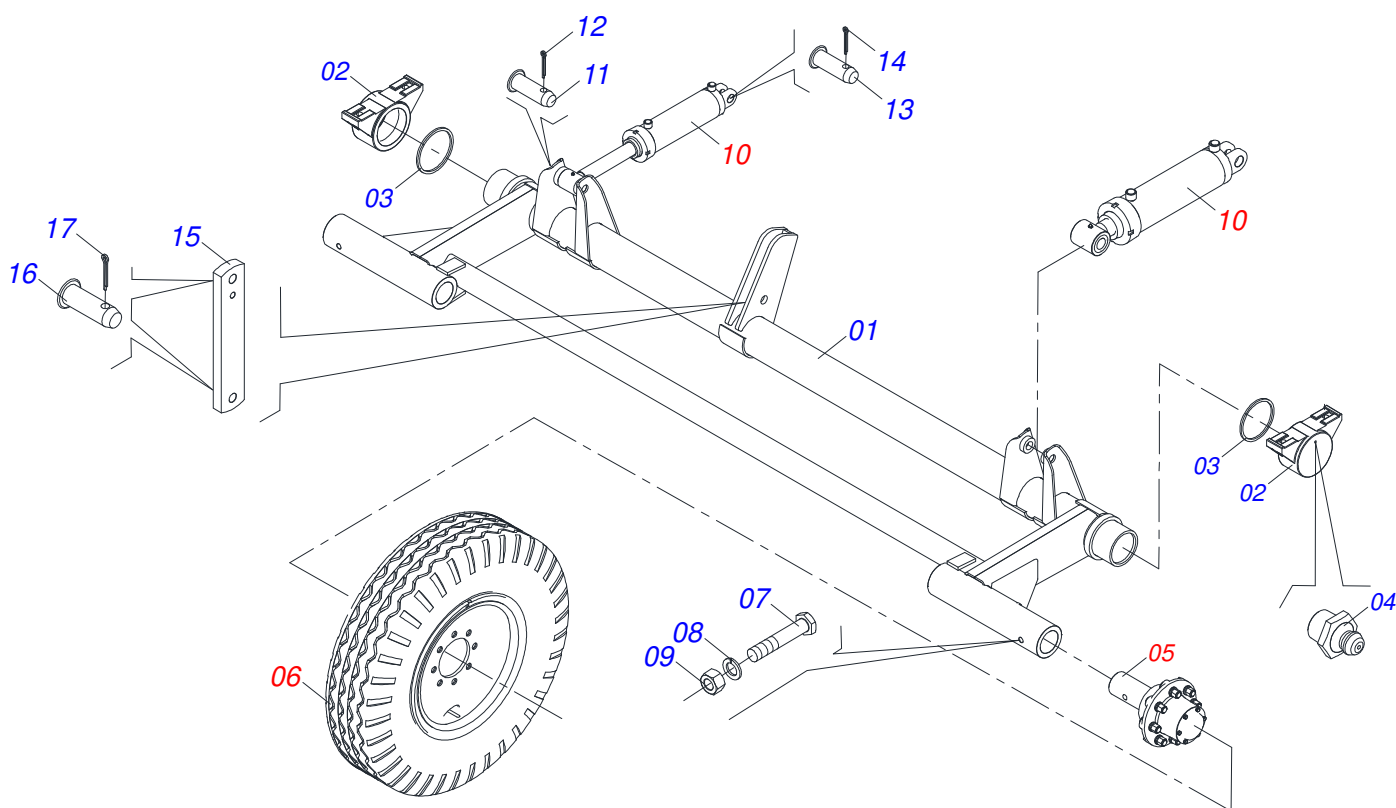
0909092877

Item	Code	Description	See page	44	48	52	56	60
27	0511048088	DRAWBAR JACK		01	01	01	01	01
28	0561014251	COUPLING SHAFT		01	01	01	01	01
29	0503030012	HITCH PIN CLIP		01	01	01	01	01
30	0521063202	ESTABILIZER BAR		01	01	01	01	01
31	0511011887	COUPLING SHAFT		01	01	01	01	01
32	0503031035	HITCH PIN CLIP		02	02	02	02	02
33	0521010576	0.9" X 3.7" COUPLING SHAFT		01	01	01	01	01
34	0551010280	253 TRANSPORT LOCK		02	02	02	02	02
35	0541016844	FIXER LOCK		02	02	02	02	02
36	0503030285	HITCH PIN CLIP		02	02	02	02	02
37	0501011431	1-3/4" GANG BOLT WRENCH		02	02	02	02	02
38	0501061617	1" GANG BOLT WRENCH		01	01	01	01	01
39	0503016140	3/4" WRENCH CABLE CYLINDRICAL		01	01	01	01	01
40	0502012702	BODY SUPPORT CLAMP		05	05	05	05	05
41	0503012555	SCREW 7/16 UNC X 2 CS RT G.7 ZN		05	05	05	05	05
42	0503010180	7/16" SPRING WASHER		05	05	05	05	05

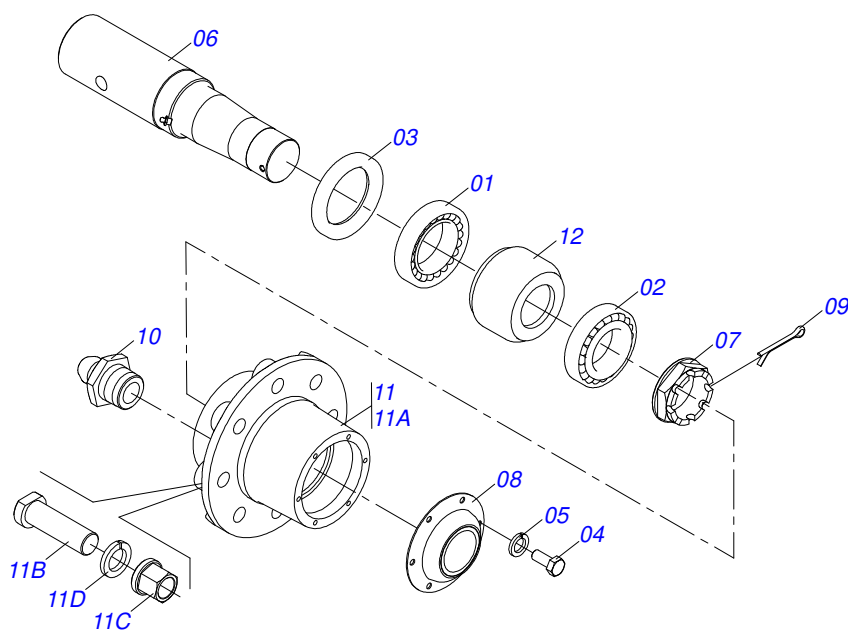
WHEELS ASSY



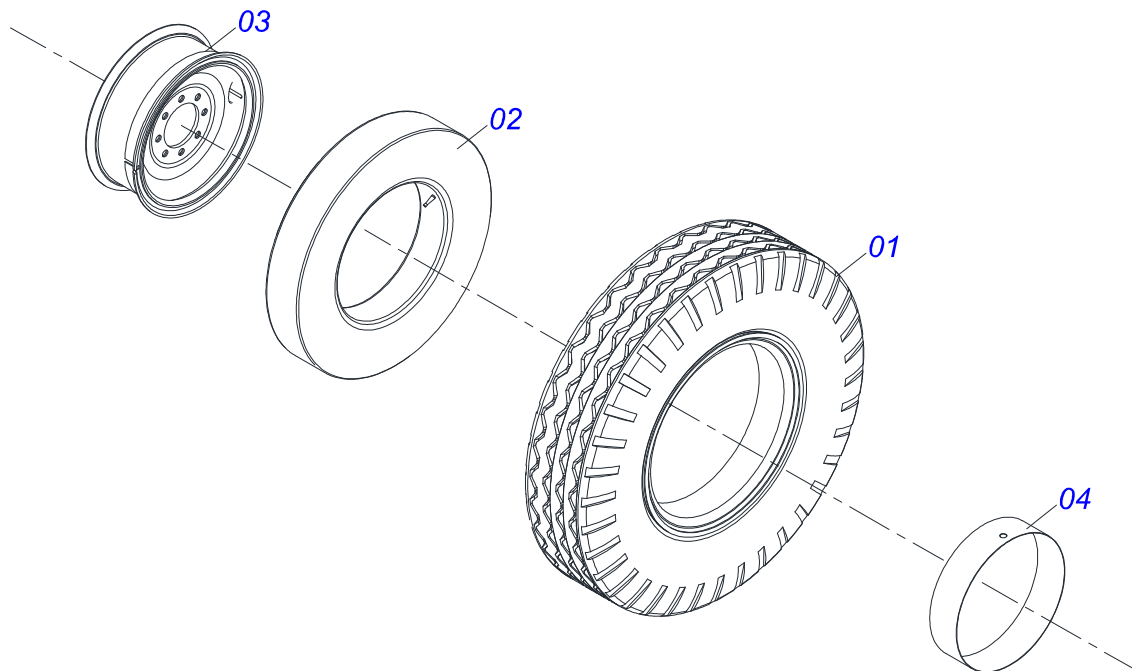
Item	Code	Description	See page	QT
01	0521065040	WHEEL SET ASSY		01
02	0502011587	BEARING AXLE		02
03	0503012260	FELT RING		02
04	0503010002	1800 GREASE FITTING		02
05	0521042030	WHEEL WITHOUT TIRE S-0514	5	02
06	0503060213	35.4"X0.80"-14L WHEEL AND TIRE ASSY	6	02
07	0503011198	C3/4" X 6" SCREW		02
08	0503010023	3/4" SPRING WASHER		02
09	0503012183	SNC 3/4" ZIN 1K03097 NUT		02
10	0511058405	HYDRAULIC CYLINDER 50,80 X 101,60 X 561 X 252	7	02
11	0521010547	1.2" X 6.5" COUPLING SHAFT		02
12	0503010010	1/4" X 2.1/2" COTTERPIN		04
13	0521012538	1.2" X 3.5" COUPLING SHAFT		02
14	0503010523	1/4" X 2" COTTERPIN		02
15	0511010887	STABILIZER BAR TOWER		01
16	0521010576	0.9" X 3.7" COUPLING SHAFT		02
17	0503012232	1/8" X 2" COTTERPIN		02



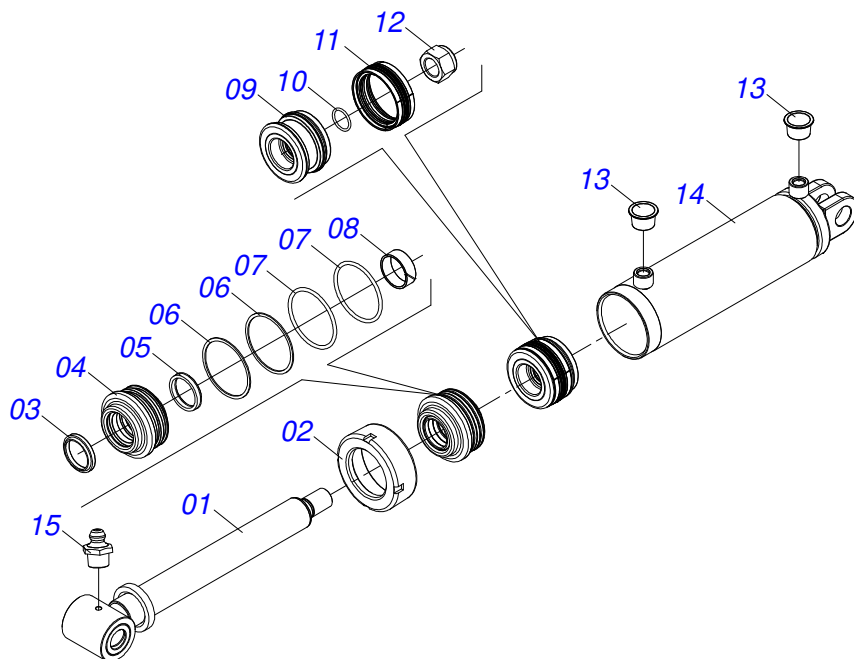
Item	Code	Description	See page	QT
01	0521063203	WHEEL GNCF E 230		01
02	0502011587	BEARING AXLE		02
03	0503012260	FELT RING		02
04	0503010002	1800 GREASE FITTING		02
05	0521042030	WHEEL WITHOUT TIRE S-0514	5	02
06	0503060213	35.4"X0.80"-14L WHEEL AND TIRE ASSY	6	02
07	0503011198	C3/4" X 6" SCREW		02
08	0503010023	3/4" SPRING WASHER		02
09	0503012183	SNC 3/4" ZIN 1K03097 NUT		02
10	0511058405	HYDRAULIC CYLINDER 50,80 X 101,60 X 561 X 252	7	02
11	0521010547	1.2" X 6.5" COUPLING SHAFT		02
12	0503010010	1/4" X 2.1/2" COTTERPIN		04
13	0521012538	1.2" X 3.5" COUPLING SHAFT		02
14	0503010523	1/4" X 2" COTTERPIN		02
15	0511010887	STABILIZER BAR TOWER		01
16	0521010576	0.9" X 3.7" COUPLING SHAFT		02
17	0503012232	1/8" X 2" COTTERPIN		02



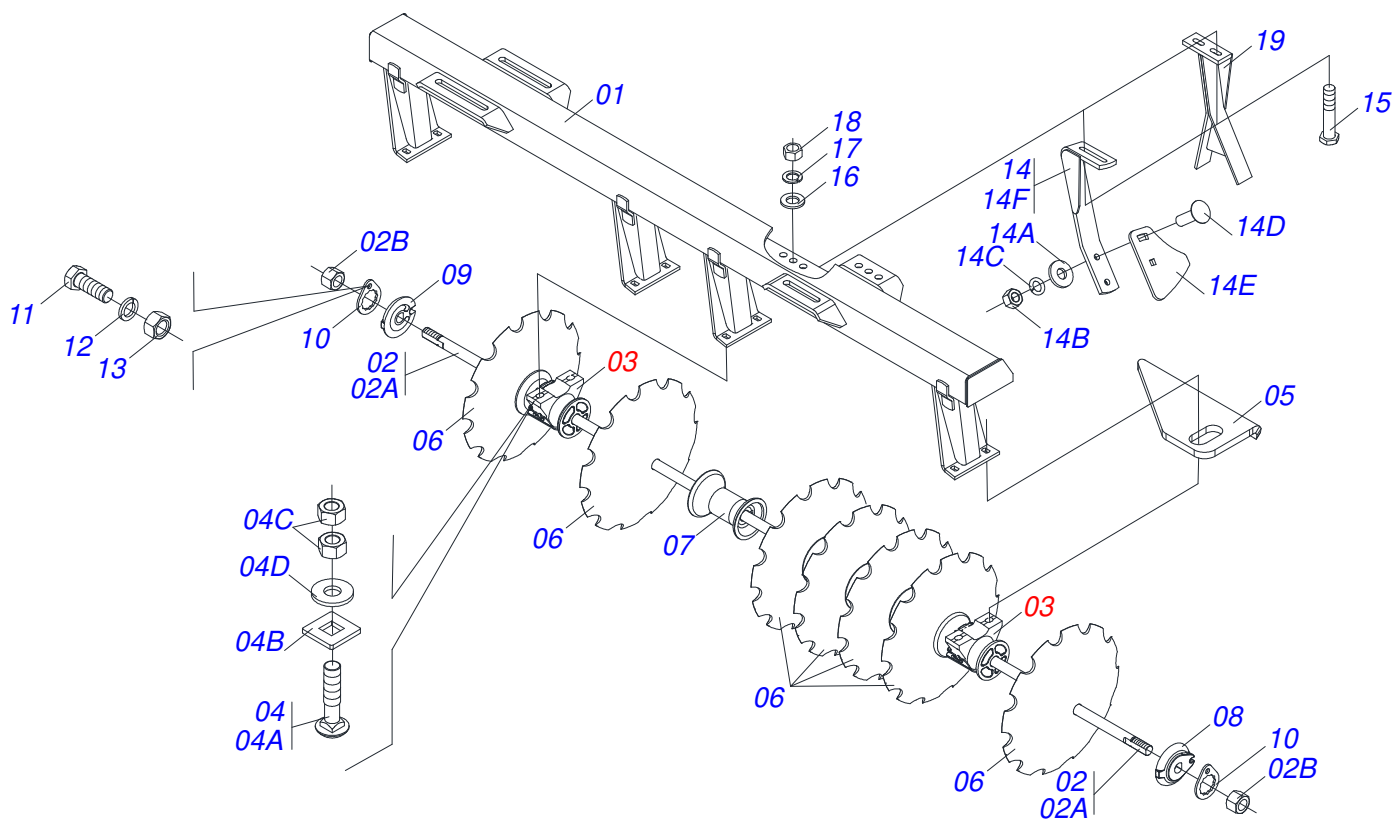
Item	Code	Description	See page	QT
01	0503010059	33287/33462 ROLLER BEARING		01
02	0503010007	3982/3920 ROLLER BEARING		01
03	0503010050	SEAL 00085-B		01
04	0503010240	BOLT		06
05	0503011444	SPRING WASHER		06
06	0571013653	POINT AXIS 88,80 X 430		01
07	0502040080	FLANGE NUT R.2.1/2 UN		01
08	0541013225	WHEEL BOX COVER		01
09	0503012231	1/4" X 3" COTTERPIN		01
10	0503010002	1800 GREASE FITTING		01
11	0501110751	HUB AND SPINDLE WITH BOLT		01
11A	0502040522	HUB CARRYING-WHEELS		01
11B	0503011339	M22 X 1,5 X 72 BOLT		08
11C	0503011341	M22 X 0.6" NUT GR8 NUT		08
11D	0503011340	SPHERICAL SPRING WASHER		08
12	1882970002	GREASE SOAP		01



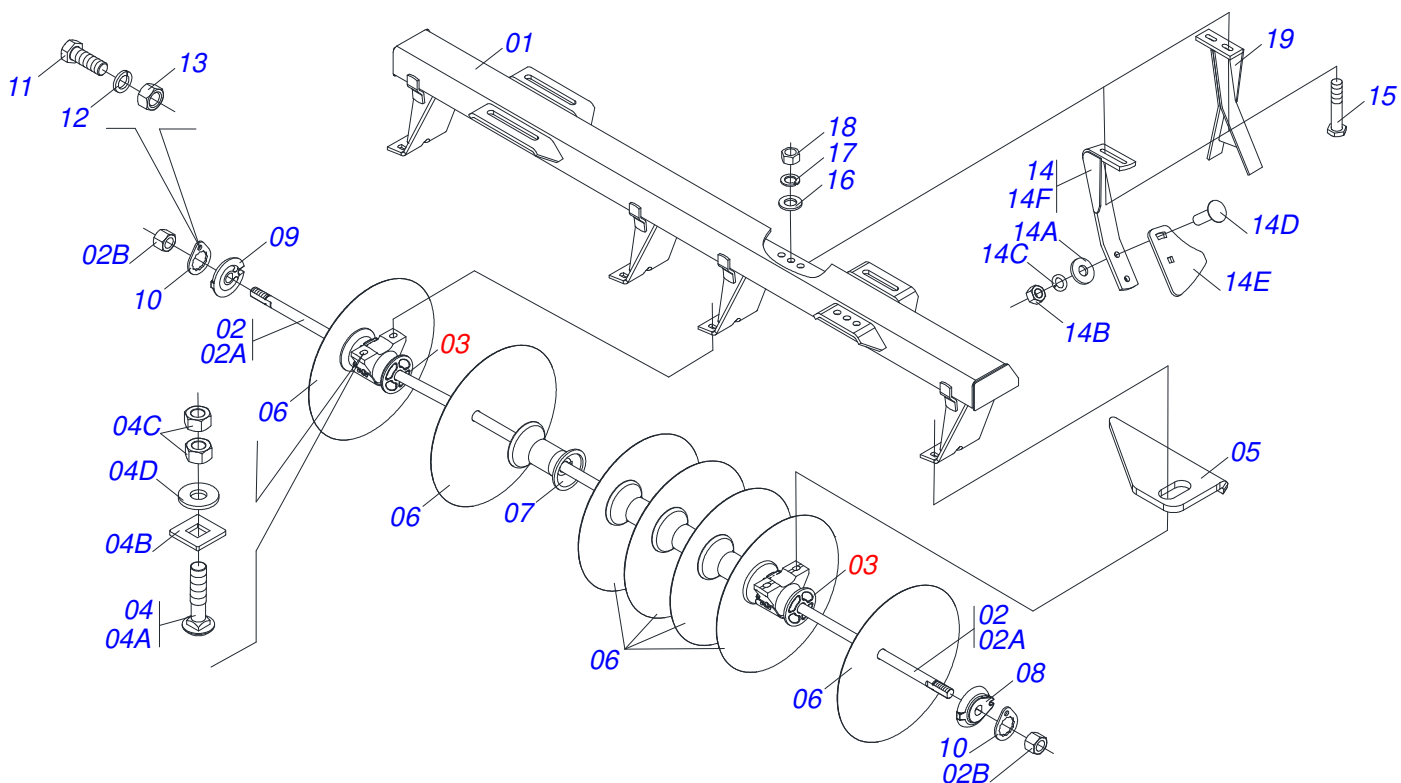
Item	Code	Description	See page	QT
01	0503010494	9.0LX 20" X 14 PLY, TIRE		01
02	0503010057	INNER TIRE		01
03	0501068263	2.6"X0.8"X6.0"X 8F0. 9"X8.0" WHEEL		01
04	0503010470	PROTECTION		01



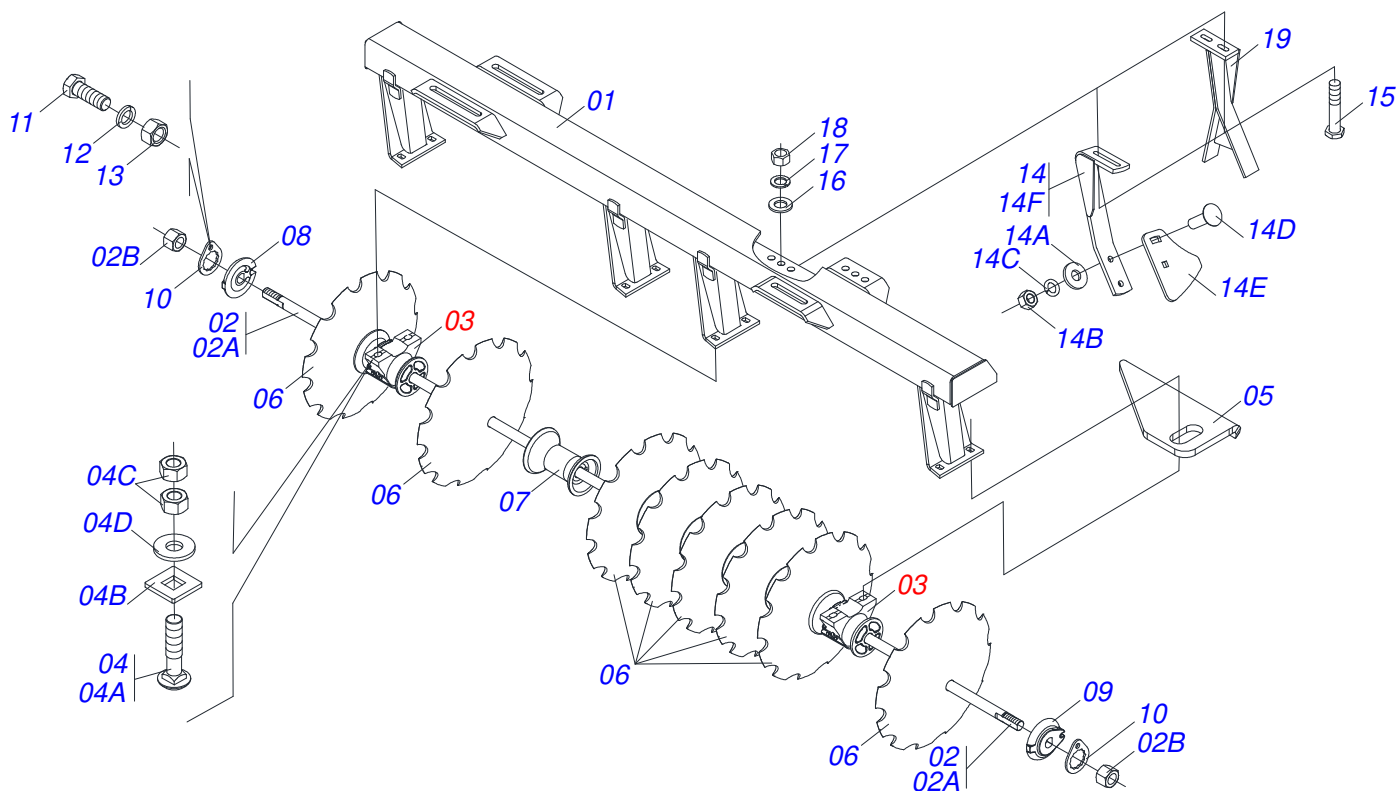
Item	Code	Description	See page	QT
01	0511067445	50,8 X 452,5 TURNBUCLE		01
02	0502012822	101.60 END CAP		01
03	0503015636	SCRAPER SEAL		01
04	0581010678	50,80 X 101 RING SUPPORT		01
05	0503018026	1870-2000-375 B GASKET		01
06	0503011061	8-342 BACK-UP RING		02
07	0503010338	2-342 N 3006-9B O'RING		02
08	0503018025	RING GUIDE		01
09	0502012842	50,80 X 101,60 PISTON		01
10	0503010345	2-218 N 3006-9B O'RING		01
11	0503015633	SELEMASTER SEALING		01
12	0503010817	1.1/4" SELF LOCKING NUT		01
13	0503030384	CON PLUG N-001		02
14	0511066220	101,60 X 369 CYLINDER CASE		01
15	0503010002	1800 GREASE FITTING		01



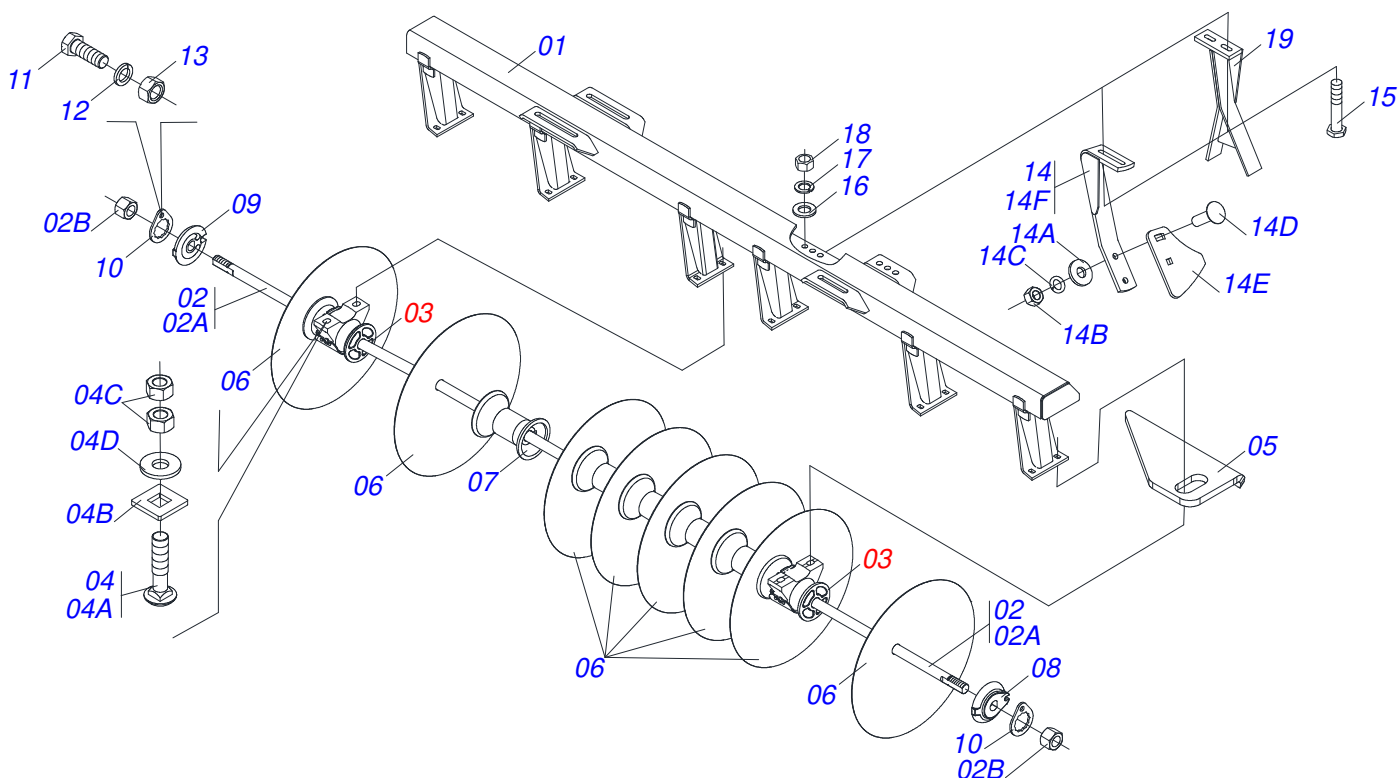
Item	Code	Description	See page	QT
01	0521067146	FRAME FRONT		01
02	0511055706	1.5/8 7FPP X 1547 AXLE C/ NUT		02
02A	0571016550	1.5/8" X 7FPP X 1547 AXLE C/ NUT		01
02B	0502040640	1.5/8" 2.3/4" NUT		02
03	0501046312	OIL BATH BEARING	26	04
04	0511040034	3/4" X 3-1/4" BOLT ASSY		08
04A	0501017303	3/4" X 3-1/4" BOLT		01
04B	0501010949	3/4" SQUARE WASHER		01
04C	0503010014	3/4" NUT		02
04D	0501010322	FLAT WASHER		01
05	0571015395	CLEANER BEARING		04
06	0602030369	24" X 0.2" NOTCHED DISC BLADE		14
07	0502010626	8.9" 1-5/8" SPACER		08
08	0502011048	1-5/8" EXTERNAL AXLE WASHER		02
09	0502011047	1-5/8" INNER AXLE WASHER		02
10	0511014339	1-5/8" 2.8" NUT LOCK		04
11	0503011267	BOLT 5/8 UNC X 1.1/2 C S G.5 ZN		04
12	0503010027	5/8" SPRING WASHER		04
13	0503010013	5/8" NUT		04
14	0511059726	FRONT CLEANING ASSEMBLY		10
14A	0501012140	FLAT WASHER		02
14B	0503010013	5/8" NUT		02
14C	0503010027	5/8" SPRING WASHER		02
14D	0503012699	BOLT 5/8NC X 2 CAPQ G.5 ZN 1K20548		02
14E	0581012584	SHOVEL SCRAPER		01
14F	0521067239	FRONT SCRAPER SUPPORT		01
15	0503011239	1/2" X 2" BOLT		60
16	0511017302	FLAT WASHER		60
17	0503010019	1/2" SPRING WASHER		60
18	0503010060	1/2" NUT		60
19	0521064296	CLEANER		10



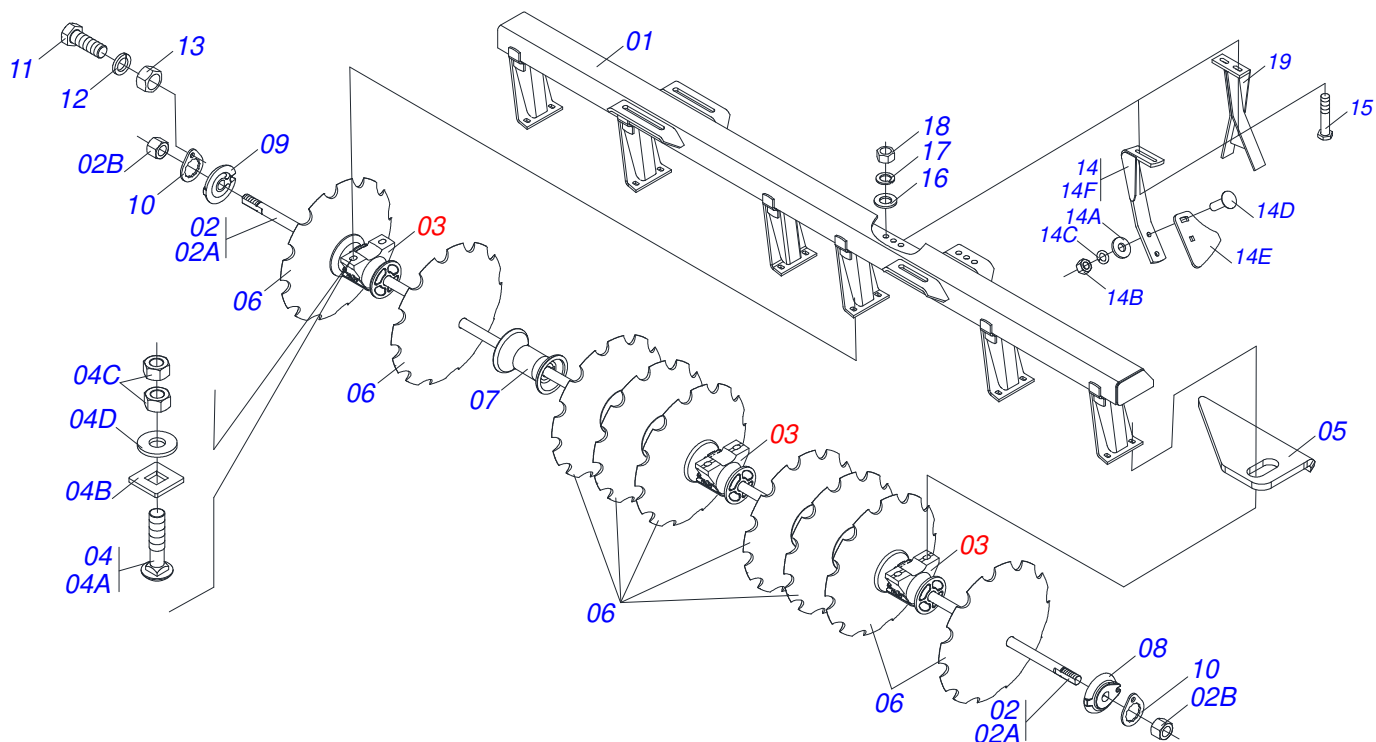
Item	Code	Description	See page	QT
01	0521067147	REAR FRAME		01
02	0511055706	1.5/8 7FPP X 1547 AXLE C/ NUT		02
02A	0571016550	1.5/8" X 7FPP X 1547 AXLE C/ NUT		02
02B	0502040640	1.5/8" 2.3/4" NUT		02
03	0501046312	OIL BATH BEARING	26	04
04	0511040034	3/4" X 3-1/4" BOLT ASSY		08
04A	0501017303	3/4" X 3-1/4" BOLT		01
04B	0501010949	3/4" SQUARE WASHER		01
04C	0503010014	3/4" NUT		02
04D	0501010322	FLAT WASHER		01
05	0571015395	CLEANER BEARING		04
06	0601031076	26"X 0.2" PLAIN DISC BLADE		14
07	0502010626	8.9" 1-5/8" SPACER		08
08	0502011048	1-5/8" EXTERNAL AXLE WASHER		02
09	0502011047	1-5/8" INNER AXLE WASHER		02
10	0511014339	1-5/8" 2.8" NUT LOCK		04
11	0503011267	BOLT 5/8 UNC X 1.1/2 C S G.5 ZN		04
12	0503010027	5/8" SPRING WASHER		04
13	0503010013	5/8" NUT		04
14	0511059726	FRONT CLEANING ASSEMBLY		10
14A	0501012140	FLAT WASHER		02
14B	0503010013	5/8" NUT		02
14C	0503010027	5/8" SPRING WASHER		02
14D	0503012699	BOLT 5/8NC X 2 CAPQ G.5 ZN 1K20548		02
14E	0581012584	SHOVEL SCRAPER		01
14F	0521067239	FRONT SCRAPER SUPPORT		01
15	0503011239	1/2" X 2" BOLT		60
16	0511017302	FLAT WASHER		60
17	0503010019	1/2" SPRING WASHER		60
18	0503010060	1/2" NUT		60
19	0521064296	CLEANER		10



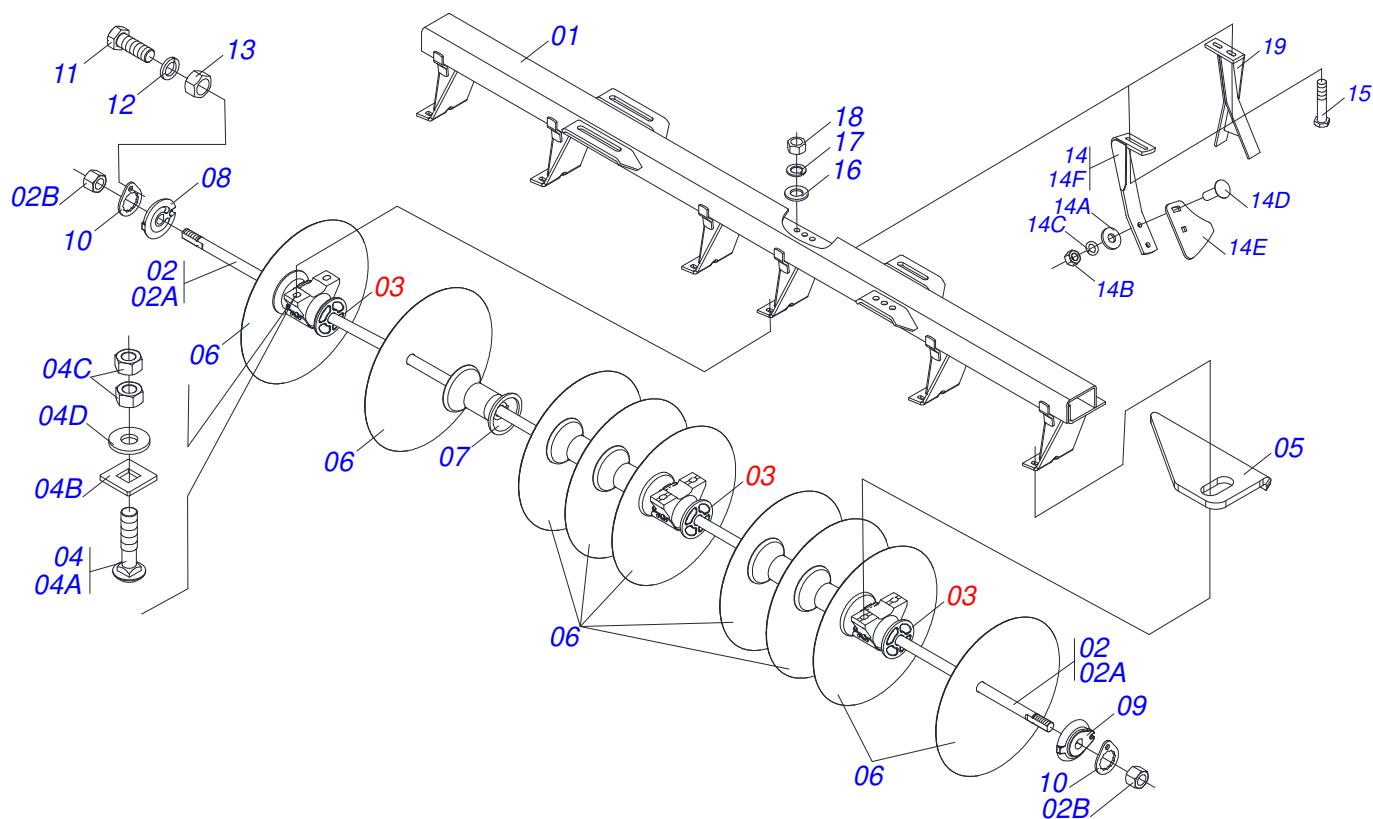
Item	Code	Description	See page	QT
01	0521067136	FRAME FRONT		01
02	0511055722	1.5/8 7FPP X 1777 AXLE C/ NUT		02
02A	0571016553	1.5/8" 7FPP X 1777 AXLE		01
02B	0502040640	1.5/8" 2.3/4" NUT		02
03	0501046312	OIL BATH BEARING	26	04
04	0511040034	3/4" X 3-1/4" BOLT ASSY		08
04A	0501017303	3/4" X 3-1/4" BOLT		01
04B	0501010949	3/4" SQUARE WASHER		01
04C	0503010014	3/4" NUT		02
04D	0501010322	FLAT WASHER		01
05	0571015395	CLEANER BEARING		04
06	0602030369	24" X 0.2" NOTCHED DISC BLADE		16
07	0502010626	8.9" 1-5/8" SPACER		10
08	0502011048	1-5/8" EXTERNAL AXLE WASHER		02
09	0502011047	1-5/8" INNER AXLE WASHER		02
10	0511014339	1-5/8" 2.8" NUT LOCK		04
11	0503011267	BOLT 5/8 UNC X 1.1/2 C S G.5 ZN		04
12	0503010027	5/8" SPRING WASHER		04
13	0503010013	5/8" NUT		04
14	0511059726	FRONT CLEANING ASSEMBLY		14
14A	0501012140	FLAT WASHER		14
14B	0503010013	5/8" NUT		14
14C	0503010027	5/8" SPRING WASHER		14
14D	0503012699	BOLT 5/8NC X 2 CAPQ G.5 ZN 1K20548		14
14E	0581012584	SHOVEL SCRAPER		14
14F	0521067239	FRONT SCRAPER SUPPORT		14
15	0503011239	1/2" X 2" BOLT		30
16	0511017302	FLAT WASHER		30
17	0503010019	1/2" SPRING WASHER		30
18	0503010060	1/2" NUT		30
19	0521064296	CLEANER		14



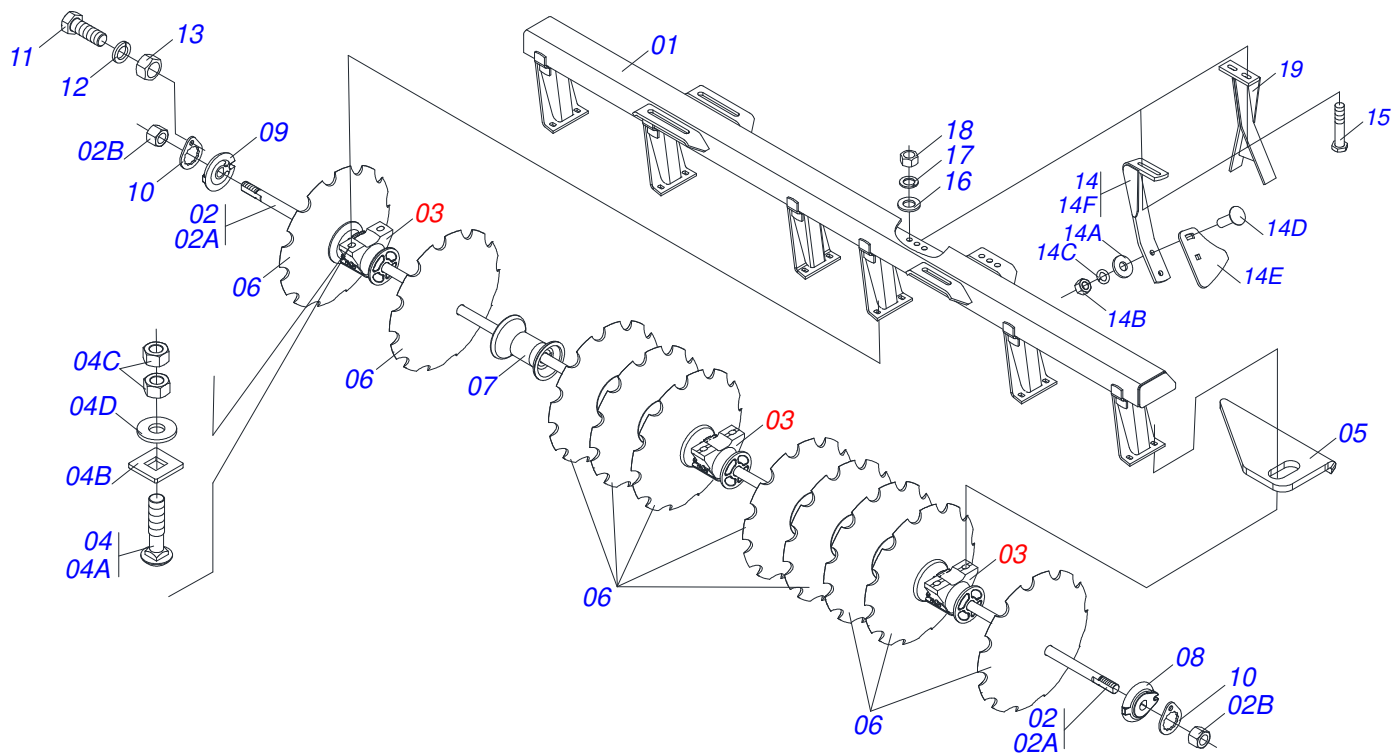
Item	Code	Description	See page	QT
01	0521067137	REAR FRAME		01
02	0511055706	1.5/8 7FPP X 1547 AXLE C/ NUT		02
02A	0571016550	1.5/8" X 7FPP X 1547 AXLE C/ NUT		01
02B	0502040640	1.5/8" 2.3/4" NUT		02
03	0501046312	OIL BATH BEARING	26	04
04	0511040034	3/4" X 3-1/4" BOLT ASSY		08
04A	0501017303	3/4" X 3-1/4" BOLT		08
04B	0501010949	3/4" SQUARE WASHER		08
04C	0503010014	3/4" NUT		08
04D	0501010322	FLAT WASHER		08
05	0571015395	CLEANER BEARING		04
06	0601031076	26"X 0.2" PLAIN DISC BLADE		16
07	0502010626	8.9" 1-5/8" SPACER		10
08	0502011048	1-5/8" EXTERNAL AXLE WASHER		02
09	0502011047	1-5/8" INNER AXLE WASHER		02
10	0511014339	1-5/8" 2.8" NUT LOCK		04
11	0503011267	BOLT 5/8 UNC X 1.1/2 C S G.5 ZN		04
12	0503010027	5/8" SPRING WASHER		04
13	0503010013	5/8" NUT		04
14	0511059726	FRONT CLEANING ASSEMBLY		14
14A	0501012140	FLAT WASHER		14
14B	0503010013	5/8" NUT		14
14C	0503010027	5/8" SPRING WASHER		14
14D	0503012699	BOLT 5/8NC X 2 CAPQ G.5 ZN 1K20548		14
14E	0581012584	SHOVEL SCRAPER		14
14F	0521067239	FRONT SCRAPER SUPPORT		14
15	0503011239	1/2" X 2" BOLT		30
16	0511017302	FLAT WASHER		30
17	0503010019	1/2" SPRING WASHER		30
18	0503010060	1/2" NUT		30
19	0521064296	CLEANER		14



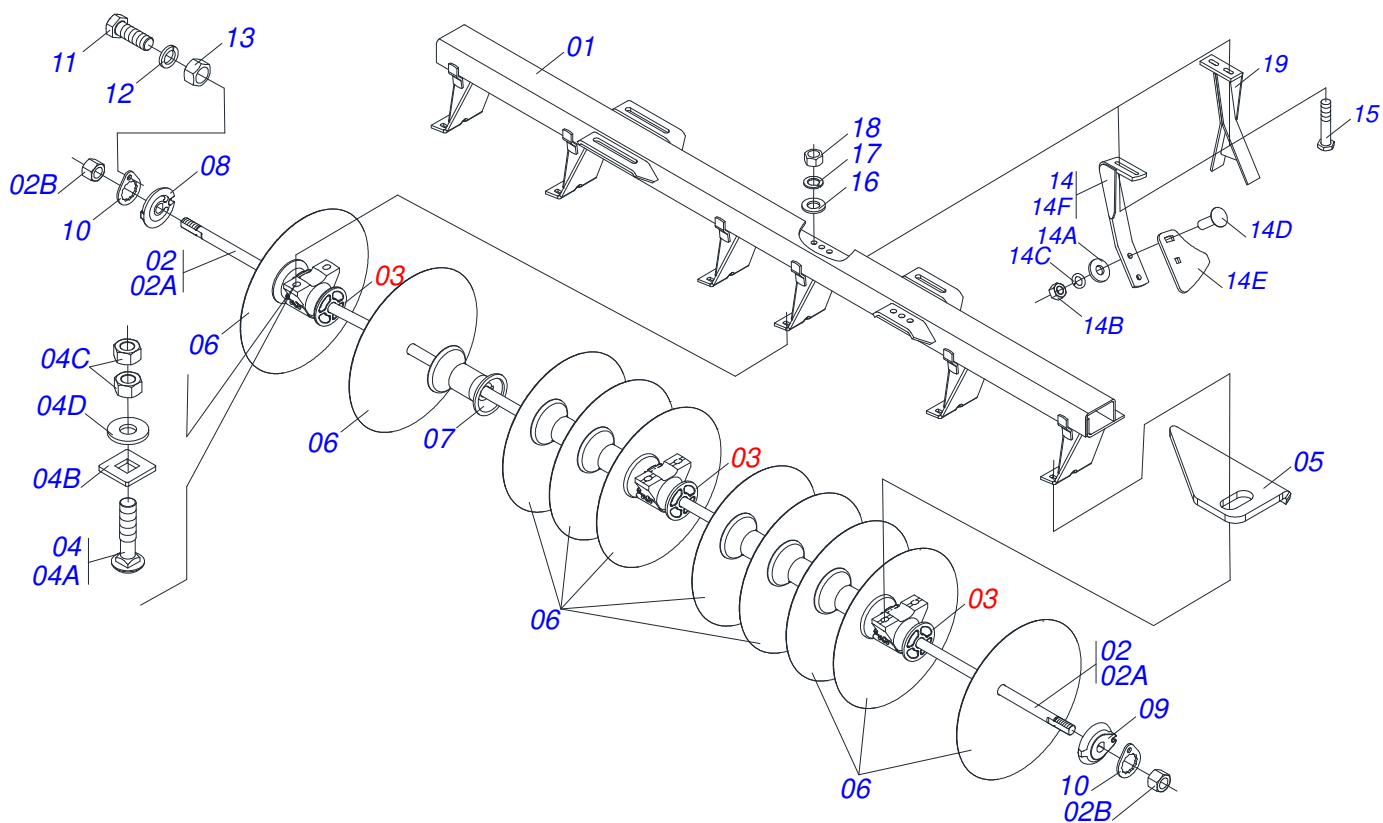
Item	Code	Description	See page	QT
01	0521067138	FRONT FRAME		01
02	0511055727	1.5/8 7FPP X 2007 AXLE C/ NUT		02
02A	0571016556	1.5/8" 7FPP X 2007 AXLE		01
02B	0502040640	1.5/8" 2.3/4" NUT		02
03	0501046312	OIL BATH BEARING	26	06
04	0511040034	3/4" X 3-1/4" BOLT ASSY		12
04A	0501017303	3/4" X 3-1/4" BOLT		12
04B	0501010949	3/4" SQUARE WASHER		12
04C	0503010014	3/4" NUT		12
04D	0501010322	FLAT WASHER		12
05	0571015396	CLEANER BEARING		06
06	0602030369	24" X 0.2" NOTCHED DISC BLADE		18
07	0502010626	8.9" 1-5/8" SPACER		10
08	0502011048	1-5/8" EXTERNAL AXLE WASHER		02
09	0502011047	1-5/8" INNER AXLE WASHER		02
10	0511014339	1-5/8" 2.8" NUT LOCK		04
11	0503011267	BOLT 5/8 UNC X 1.1/2 C S G.5 ZN		04
12	0503010027	5/8" SPRING WASHER		04
13	0503010013	5/8" NUT		04
14	0511059726	FRONT CLEANING ASSEMBLY		14
14A	0501012140	FLAT WASHER		14
14B	0503010013	5/8" NUT		14
14C	0503010027	5/8" SPRING WASHER		14
14D	0503012699	BOLT 5/8NC X 2 CAPQ G.5 ZN 1K20548		14
14E	0581012584	SHOVEL SCRAPER		14
14F	0521067239	FRONT SCRAPER SUPPORT		14
15	0503011239	1/2" X 2" BOLT		30
16	0511017302	FLAT WASHER		30
17	0503010019	1/2" SPRING WASHER		30
18	0503010060	1/2" NUT		30
19	0521064296	CLEANER		14



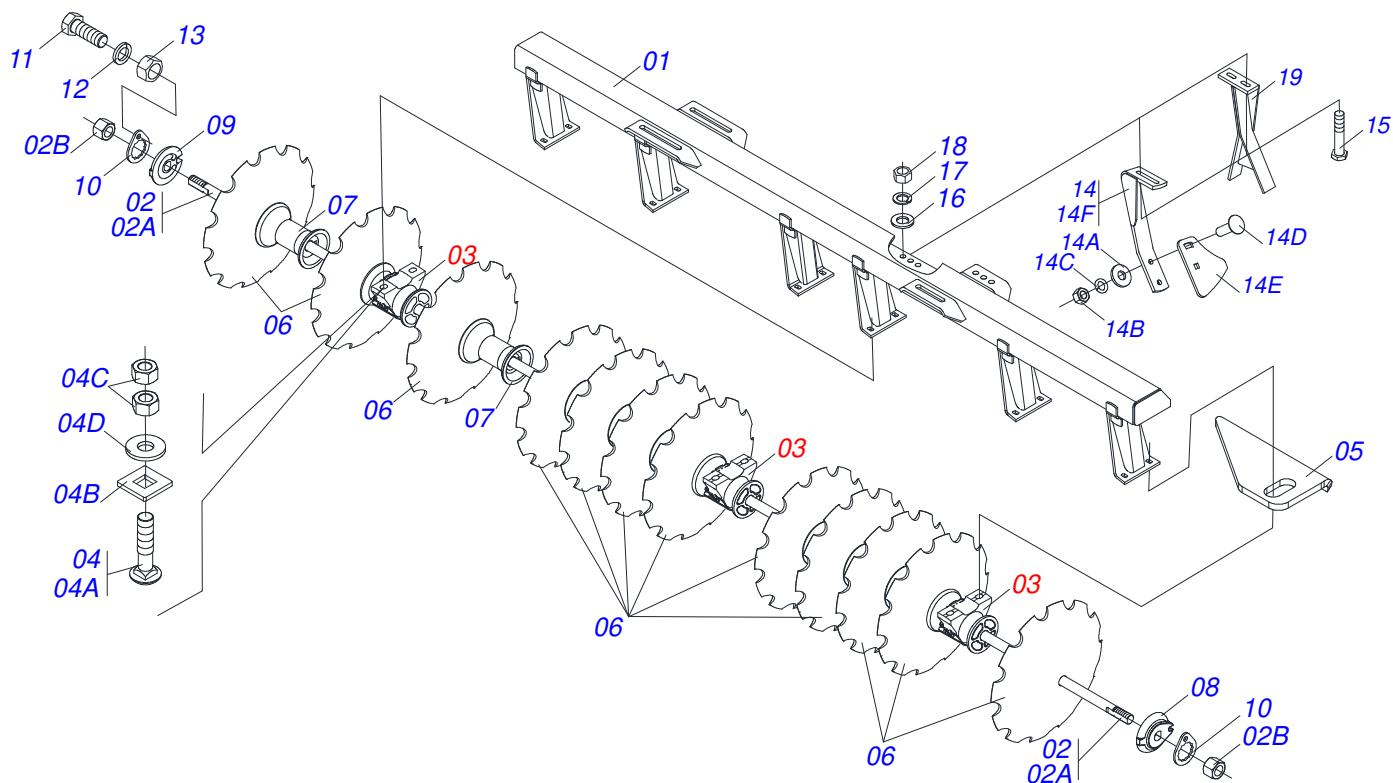
Item	Code	Description	See page	QT
01	0521067139	REAR FRAME		01
02	0511055727	1.5/8 7FPP X 2007 AXLE C/ NUT		02
02A	0571016556	1.5/8" 7FPP X 2007 AXLE		01
02B	0502040640	1.5/8" 2.3/4" NUT		02
03	0501046312	OIL BATH BEARING	26	06
04	0511040034	3/4" X 3-1/4" BOLT ASSY		12
04A	0501017303	3/4" X 3-1/4" BOLT		12
04B	0501010949	3/4" SQUARE WASHER		12
04C	0503010014	3/4" NUT		12
04D	0501010322	FLAT WASHER		12
05	0571015396	CLEANER BEARING		06
06	0601031076	26"X 0.2" PLAIN DISC BLADE		18
07	0502010626	8.9" 1-5/8" SPACER		10
08	0502011048	1-5/8" EXTERNAL AXLE WASHER		02
09	0502011047	1-5/8" INNER AXLE WASHER		02
10	0511014339	1-5/8" 2.8" NUT LOCK		04
11	0503011267	BOLT 5/8 UNC X 1.1/2 C S G.5 ZN		04
12	0503010027	5/8" SPRING WASHER		04
13	0503010013	5/8" NUT		04
14	0511059726	FRONT CLEANING ASSEMBLY		14
14A	0501012140	FLAT WASHER		14
14B	0503010013	5/8" NUT		14
14C	0503010027	5/8" SPRING WASHER		14
14D	0503012699	BOLT 5/8NC X 2 CAPQ G.5 ZN 1K20548		14
14E	0581012584	SHOVEL SCRAPER		14
14F	0521067239	FRONT SCRAPER SUPPORT		14
15	0503011239	1/2" X 2" BOLT		30
16	0511017302	FLAT WASHER		30
17	0503010019	1/2" SPRING WASHER		30
18	0503010060	1/2" NUT		30
19	0521064296	CLEANER		14



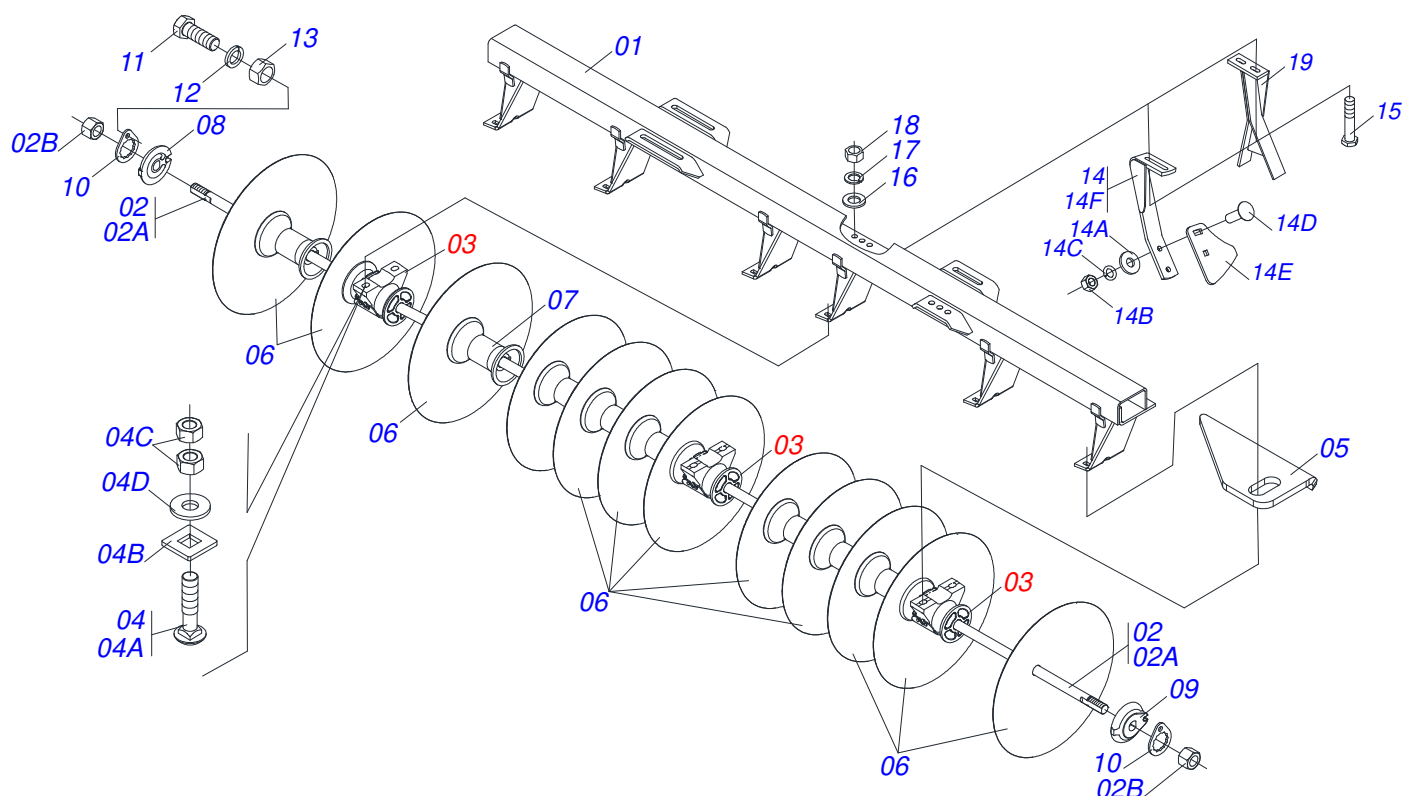
Item	Code	Description	See page	QT
01	0521067140	FRONT FRAME		01
02	0511055728	1.5/8 7FPP X 2237 AXLE		02
02A	0571016559	1.5/8" X 7FPP X 2237 AXLE		01
02B	0502040640	1.5/8" 2.3/4" NUT		02
03	0501046312	OIL BATH BEARING	26	06
04	0511040034	3/4" X 3-1/4" BOLT ASSY		12
04A	0501017303	3/4" X 3-1/4" BOLT		01
04B	0501010949	3/4" SQUARE WASHER		01
04C	0503010014	3/4" NUT		02
04D	0501010322	FLAT WASHER		01
05	0571015396	CLEANER BEARING		06
06	0602030369	24" X 0.2" NOTCHED DISC BLADE		20
07	0502010626	8.9" 1-5/8" SPACER		12
08	0502011048	1-5/8" EXTERNAL AXLE WASHER		02
09	0502011047	1-5/8" INNER AXLE WASHER		02
10	0511014339	1-5/8" 2.8" NUT LOCK		04
11	0503011267	BOLT 5/8 UNC X 1.1/2 C S G.5 ZN		04
12	0503010027	5/8" SPRING WASHER		04
13	0503010013	5/8" NUT		04
14	0511059726	FRONT CLEANING ASSEMBLY		16
14A	0501012140	FLAT WASHER		16
14B	0503010013	5/8" NUT		16
14C	0503010027	5/8" SPRING WASHER		16
14D	0503012699	BOLT 5/8NC X 2 CAPQ G.5 ZN 1K20548		16
14E	0581012584	SHOVEL SCRAPER		16
14F	0521067239	FRONT SCRAPER SUPPORT		16
15	0503011239	1/2" X 2" BOLT		32
16	0511017302	FLAT WASHER		32
17	0503010019	1/2" SPRING WASHER		32
18	0503010060	1/2" NUT		32
19	0521064296	CLEANER		16



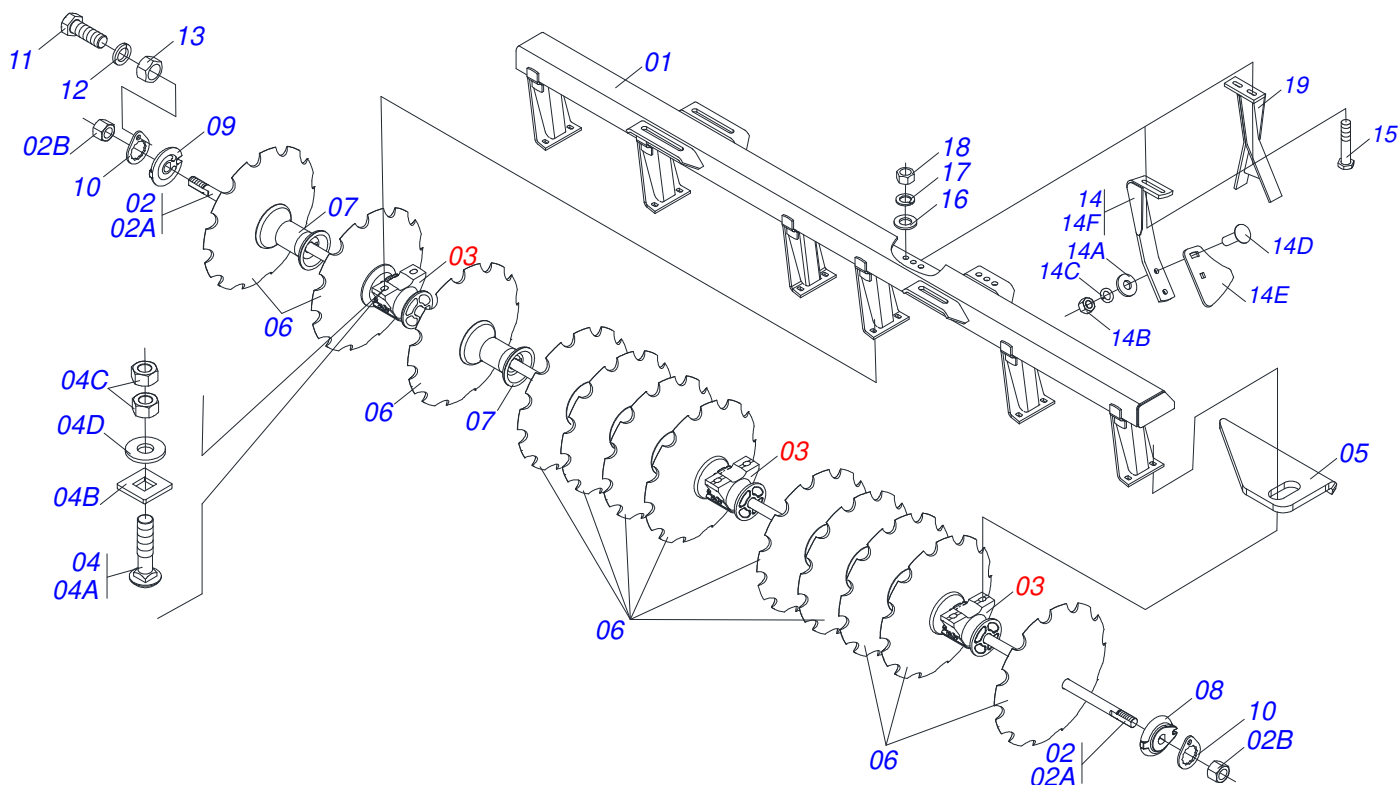
Item	Code	Description	See page	QT
01	0521067141	REAR FRAME		01
02	0511055728	1.5/8 7FPP X 2237 AXLE		02
02A	0571016559	1.5/8" X 7FPP X 2237 AXLE		01
02B	0502040640	1.5/8" 2.3/4" NUT		02
03	0501046312	OIL BATH BEARING	26	06
04	0511040034	3/4" X 3-1/4" BOLT ASSY		12
04A	0501017303	3/4" X 3-1/4" BOLT		01
04B	0501010949	3/4" SQUARE WASHER		01
04C	0503010014	3/4" NUT		02
04D	0501010322	FLAT WASHER		01
05	0571015396	CLEANER BEARING		06
06	0601031076	26"X 0.2" PLAIN DISC BLADE		20
07	0502010626	8.9" 1-5/8" SPACER		10
08	0502011048	1-5/8" EXTERNAL AXLE WASHER		02
09	0502011047	1-5/8" INNER AXLE WASHER		02
10	0511014339	1-5/8" 2.8" NUT LOCK		04
11	0503011267	BOLT 5/8 UNC X 1.1/2 C S G.5 ZN		04
12	0503010027	5/8" SPRING WASHER		04
13	0503010013	5/8" NUT		04
14	0511059726	FRONT CLEANING ASSEMBLY		14
14A	0501012140	FLAT WASHER		02
14B	0503010013	5/8" NUT		02
14C	0503010027	5/8" SPRING WASHER		02
14D	0503012699	BOLT 5/8NC X 2 CAPQ G.5 ZN 1K20548		02
14E	0581012584	SHOVEL SCRAPER		01
14F	0521067239	FRONT SCRAPER SUPPORT		01
15	0503011239	1/2" X 2" BOLT		30
16	0511017302	FLAT WASHER		30
17	0503010019	1/2" SPRING WASHER		30
18	0503010060	1/2" NUT		30
19	0521064296	CLEANER		16



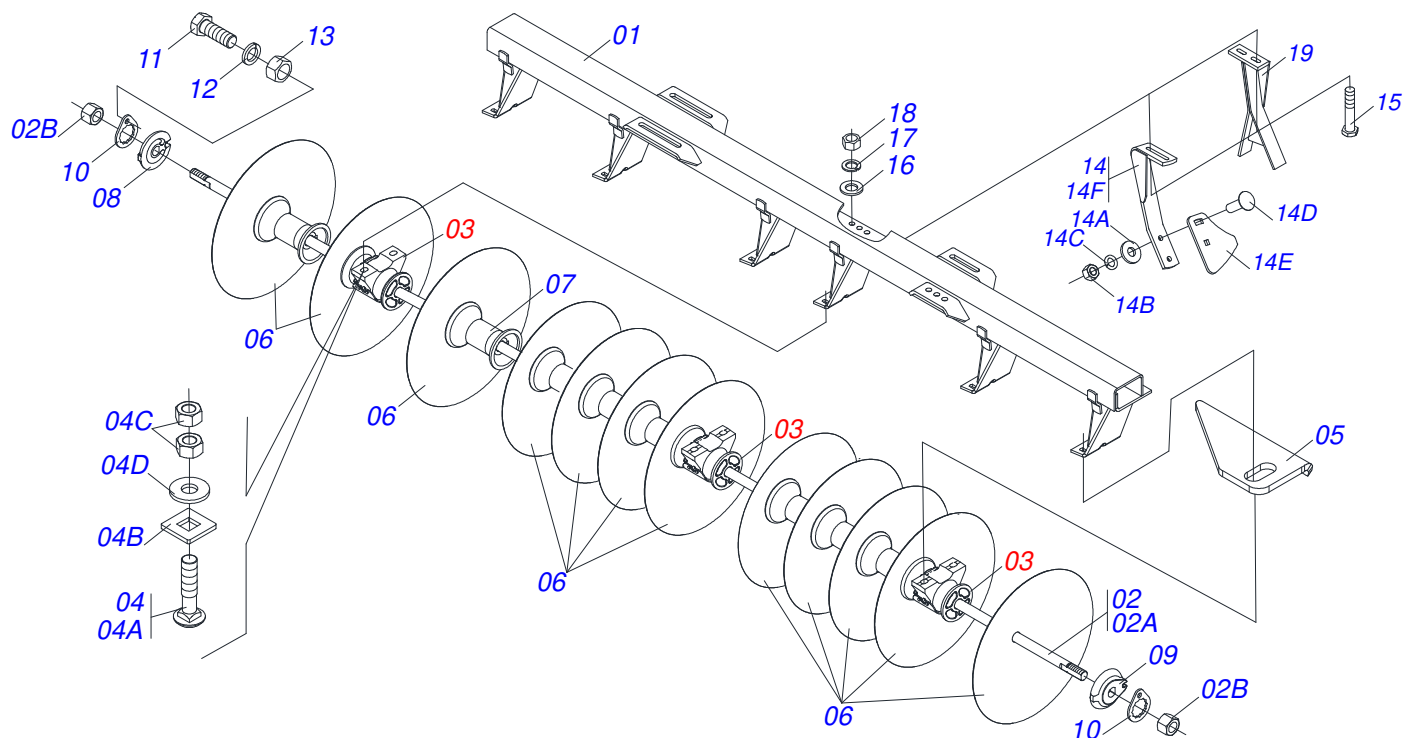
Item	Code	Description	See page	QT
01	0521067142	FRONT FRAME		01
02	0511053819	SHAFT C/ NUT		02
02A	0571014470	1.5/8" 7FPP X 2465 AXLE		02
02B	0502040640	1.5/8" 2.3/4" NUT		02
03	0501046312	OIL BATH BEARING	26	06
04	0511040034	3/4" X 3-1/4" BOLT ASSY		12
04A	0501017303	3/4" X 3-1/4" BOLT		01
04B	0501010949	3/4" SQUARE WASHER		01
04C	0503010014	3/4" NUT		02
04D	0501010322	FLAT WASHER		01
05	0571015395	CLEANER BEARING		06
06	0602030369	24" X 0.2" NOTCHED DISC BLADE		22
07	0502010626	8.9" 1-5/8" SPACER		14
08	0502011048	1-5/8" EXTERNAL AXLE WASHER		02
09	0502011047	1-5/8" INNER AXLE WASHER		02
10	0511014339	1-5/8" 2.8" NUT LOCK		04
11	0503011267	BOLT 5/8 UNC X 1.1/2 C S G.5 ZN		04
12	0503010027	5/8" SPRING WASHER		04
13	0503010013	5/8" NUT		04
14	0511059726	FRONT CLEANING ASSEMBLY		16
14A	0501012140	FLAT WASHER		16
14B	0503010013	5/8" NUT		16
14C	0503010027	5/8" SPRING WASHER		16
14D	0503012699	BOLT 5/8NC X 2 CAPQ G.5 ZN 1K20548		16
14E	0581012584	SHOVEL SCRAPER		16
14F	0521067239	FRONT SCRAPER SUPPORT		16
15	0503011239	1/2" X 2" BOLT		32
16	0511017302	FLAT WASHER		32
17	0503010019	1/2" SPRING WASHER		32
18	0503010060	1/2" NUT		32
19	0521064296	CLEANER		16



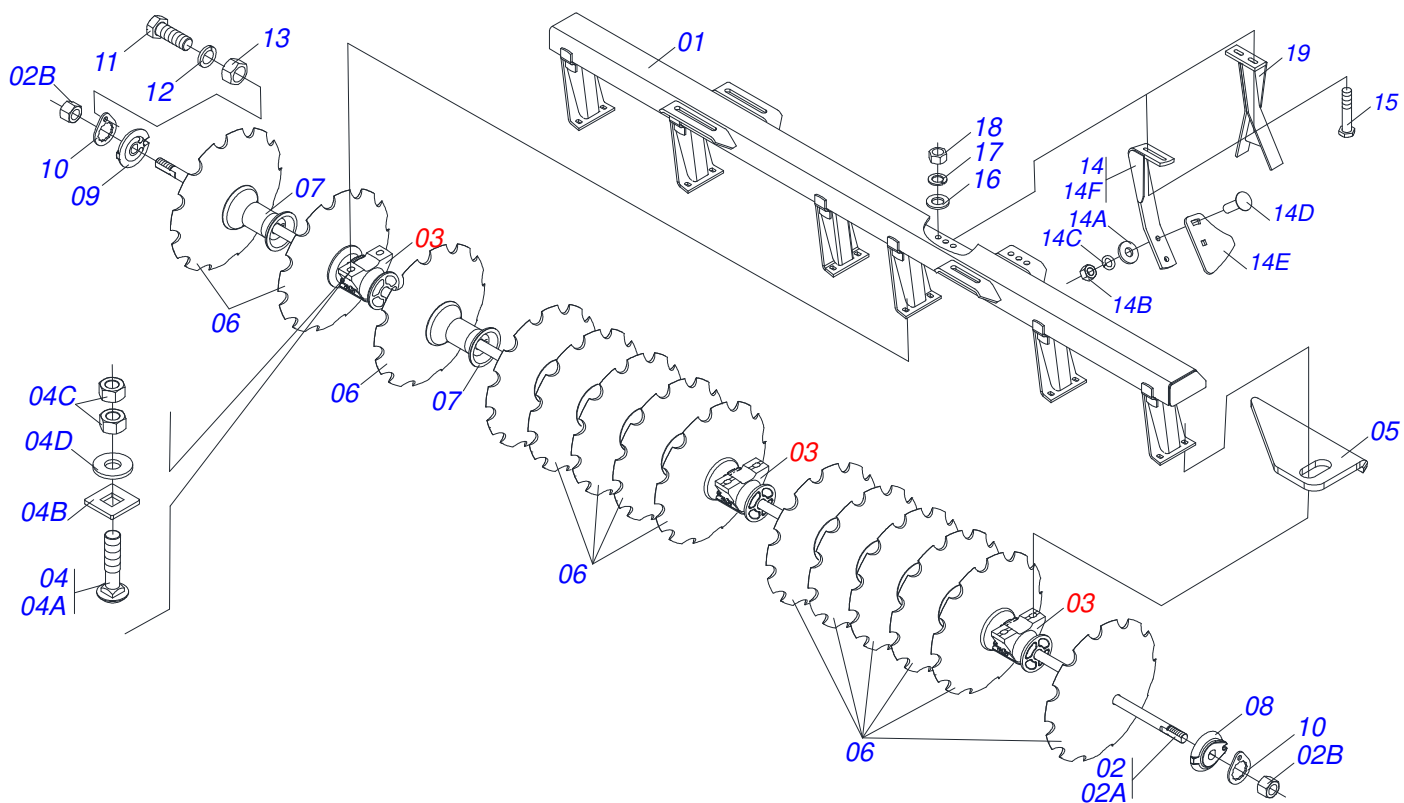
Item	Code	Description	See page	QT
01	0521067143	REAR FRAME		01
02	0511053819	SHAFT C/ NUT		02
02A	0571014470	1.5/8" 7FPP X 2465 AXLE		01
02B	0502040640	1.5/8" 2.3/4" NUT		02
03	0501046312	OIL BATH BEARING	26	06
04	0511040034	3/4" X 3-1/4" BOLT ASSY		12
04A	0501017303	3/4" X 3-1/4" BOLT		01
04B	0501010949	3/4" SQUARE WASHER		01
04C	0503010014	3/4" NUT		02
04D	0501010322	FLAT WASHER		01
05	0571015396	CLEANER BEARING		06
06	0601031076	26"X 0.2" PLAIN DISC BLADE		22
07	0502010626	8.9" 1-5/8" SPACER		14
08	0502011048	1-5/8" EXTERNAL AXLE WASHER		02
09	0502011047	1-5/8" INNER AXLE WASHER		02
10	0511014339	1-5/8" 2.8" NUT LOCK		04
11	0503011267	BOLT 5/8 UNC X 1.1/2 C S G.5 ZN		04
12	0503010027	5/8" SPRING WASHER		04
13	0503010013	5/8" NUT		04
14	0511059727	REAR CLEANING ASSEMBLY		16
14A	0501012140	FLAT WASHER		16
14B	0503010013	5/8" NUT		16
14C	0503010027	5/8" SPRING WASHER		16
14D	0503012699	BOLT 5/8NC X 2 CAPQ G.5 ZN 1K20548		16
14E	0581012584	SHOVEL SCRAPER		16
14F	0521067240	REAR SCRAPER SUPPORT		16
15	0503011239	1/2" X 2" BOLT		32
16	0511017302	FLAT WASHER		32
17	0503010019	1/2" SPRING WASHER		32
18	0503010060	1/2" NUT		32
19	0521064296	CLEANER		16



Item	Code	Description	See page	QT
01	0521067144	FRONT FRAME		01
02	0511053818	SHAFT C/ NUT		02
02A	0571014469	1.5/8" 7FPP X 2695 AXLE		02
02B	0502040640	1.5/8" 2.3/4" NUT		04
03	0501046312	OIL BATH BEARING	26	06
04	0511040034	3/4" X 3-1/4" BOLT ASSY		12
04A	0501017303	3/4" X 3-1/4" BOLT		01
04B	0501010949	3/4" SQUARE WASHER		01
04C	0503010014	3/4" NUT		02
04D	0501010322	FLAT WASHER		01
05	0571015395	CLEANER BEARING		06
06	0602030369	24" X 0.2" NOTCHED DISC BLADE		24
07	0502010626	8.9" 1-5/8" SPACER		16
08	0502011048	1-5/8" EXTERNAL AXLE WASHER		02
09	0502011047	1-5/8" INNER AXLE WASHER		02
10	0511014339	1-5/8" 2.8" NUT LOCK		04
11	0503011267	BOLT 5/8 UNC X 1.1/2 C S G.5 ZN		04
12	0503010027	5/8" SPRING WASHER		04
13	0503010013	5/8" NUT		04
14	0511059727	REAR CLEANING ASSEMBLY		16
14A	0501012140	FLAT WASHER		16
14B	0503010013	5/8" NUT		16
14C	0503010027	5/8" SPRING WASHER		16
14D	0503012699	BOLT 5/8NC X 2 CAPQ G.5 ZN 1K20548		16
14E	0581012584	SHOVEL SCRAPER		16
14F	0521067240	REAR SCRAPER SUPPORT		16
15	0503011239	1/2" X 2" BOLT		32
16	0511017302	FLAT WASHER		32
17	0503010019	1/2" SPRING WASHER		32
18	0503010060	1/2" NUT		32
19	0521064296	CLEANER		16

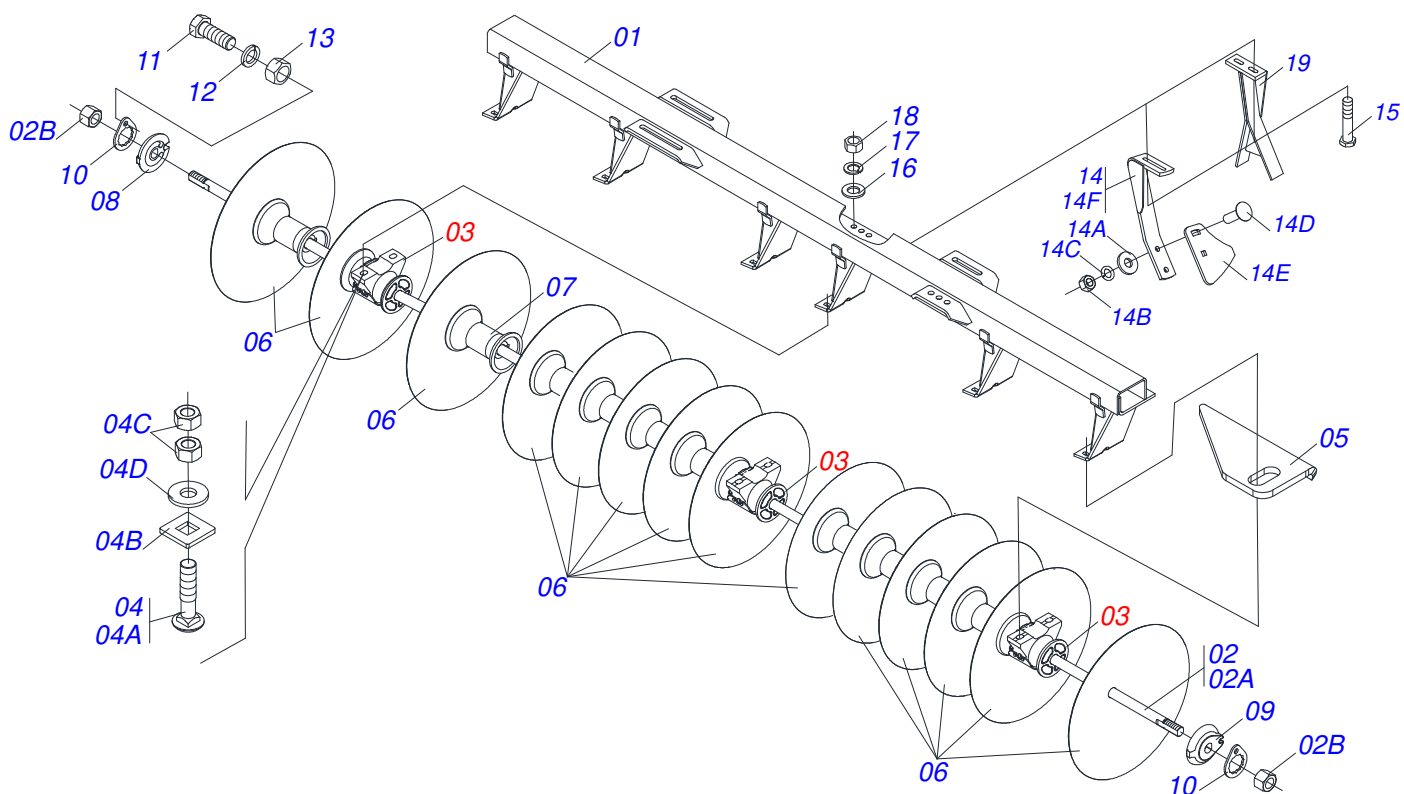


Item	Code	Description	See page	QT
01	0521067145	REAR FRAME		01
02	0511053818	SHAFT C/ NUT		02
02A	0571014469	1.5/8" 7FPP X 2695 AXLE		02
02B	0502040640	1.5/8" 2.3/4" NUT		02
03	0501046312	OIL BATH BEARING	26	06
04	0511040034	3/4" X 3-1/4" BOLT ASSY		12
04A	0501017303	3/4" X 3-1/4" BOLT		01
04B	0501010949	3/4" SQUARE WASHER		01
04C	0503010014	3/4" NUT		02
04D	0501010322	FLAT WASHER		01
05	0571015396	CLEANER BEARING		06
06	0601031076	26"X 0.2" PLAIN DISC BLADE		24
07	0502010626	8.9" 1-5/8" SPACER		16
08	0502011048	1-5/8" EXTERNAL AXLE WASHER		02
09	0502011047	1-5/8" INNER AXLE WASHER		02
10	0511014339	1-5/8" 2.8" NUT LOCK		04
11	0503011267	BOLT 5/8 UNC X 1.1/2 C S G.5 ZN		04
12	0503010027	5/8" SPRING WASHER		04
13	0503010013	5/8" NUT		04
14	0511059727	REAR CLEANING ASSEMBLY		16
14A	0501012140	FLAT WASHER		16
14B	0503010013	5/8" NUT		16
14C	0503010027	5/8" SPRING WASHER		16
14D	0503012699	BOLT 5/8NC X 2 CAPQ G.5 ZN 1K20548		16
14E	0581012584	SHOVEL SCRAPER		16
14F	0521067240	REAR SCRAPER SUPPORT		16
15	0503011239	1/2" X 2" BOLT		32
16	0511017302	FLAT WASHER		32
17	0503010019	1/2" SPRING WASHER		32
18	0503010060	1/2" NUT		32
19	0521064296	CLEANER		16

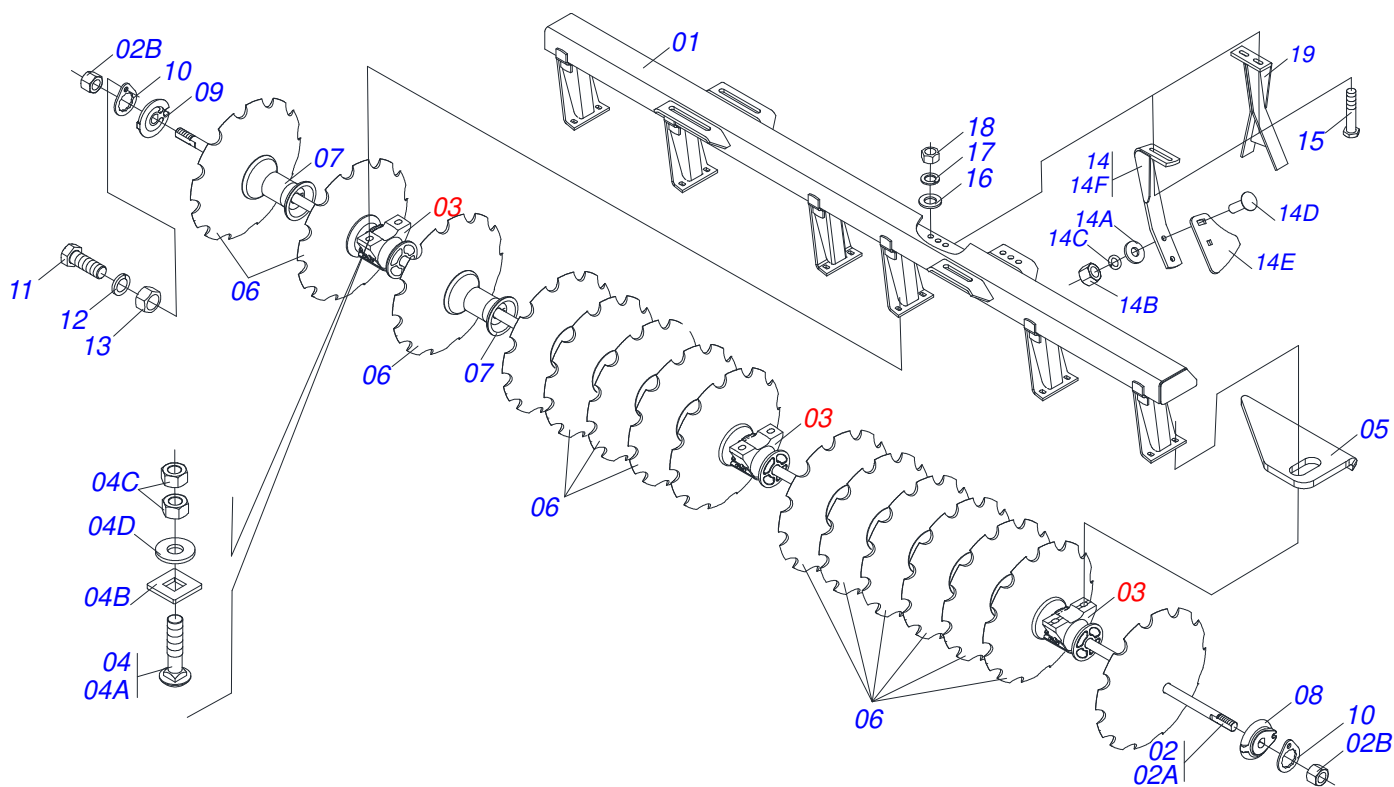


Item	Code	Description	See page	QT
01	0521067122	FRONT FRAME		01
02	0511053817	SHAFT C/ NUT		02
02A	0571014468	1.5/8" 7FPP X 2925 AXLE		01
02B	0502040640	1.5/8" 2.3/4" NUT		02
03	0501046312	OIL BATH BEARING	26	06
04	0511040034	3/4" X 3-1/4" BOLT ASSY		12
04A	0501017303	3/4" X 3-1/4" BOLT		12
04B	0501010949	3/4" SQUARE WASHER		12
04C	0503010014	3/4" NUT		12
04D	0501010322	FLAT WASHER		12
05	0571015395	CLEANER BEARING		06
06	0602030369	24" X 0.2" NOTCHED DISC BLADE		26
07	0502010626	8.9" 1-5/8" SPACER		18
08	0502011048	1-5/8" EXTERNAL AXLE WASHER		02
09	0502011047	1-5/8" INNER AXLE WASHER		02
10	0511014339	1-5/8" 2.8" NUT LOCK		04
11	0503011267	BOLT 5/8 UNC X 1.1/2 C S G.5 ZN		04
12	0503010027	5/8" SPRING WASHER		04
13	0503010013	5/8" NUT		04
14	0511059727	REAR CLEANING ASSEMBLY		18
14A	0501012140	FLAT WASHER		18
14B	0503010013	5/8" NUT		18
14C	0503010027	5/8" SPRING WASHER		18
14D	0503012699	BOLT 5/8NC X 2 CAPQ G.5 ZN 1K20548		18
14E	0581012584	SHOVEL SCRAPER		18
14F	0521067240	REAR SCRAPER SUPPORT		18
15	0503011239	1/2" X 2" BOLT		32
16	0511017302	FLAT WASHER		32
17	0503010019	1/2" SPRING WASHER		32
18	0503010060	1/2" NUT		32
19	0521064296	CLEANER		18

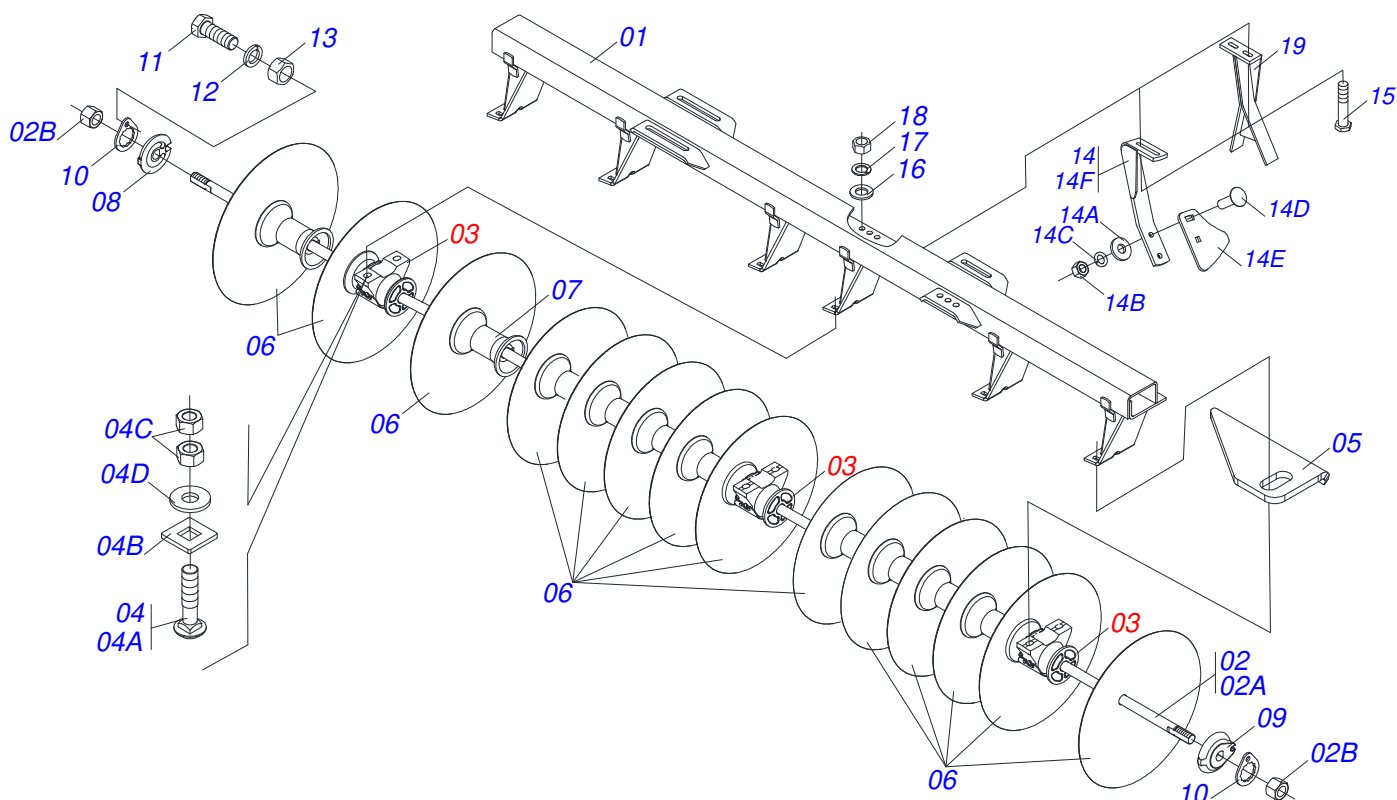
FRAME REAR ASSY - 52D



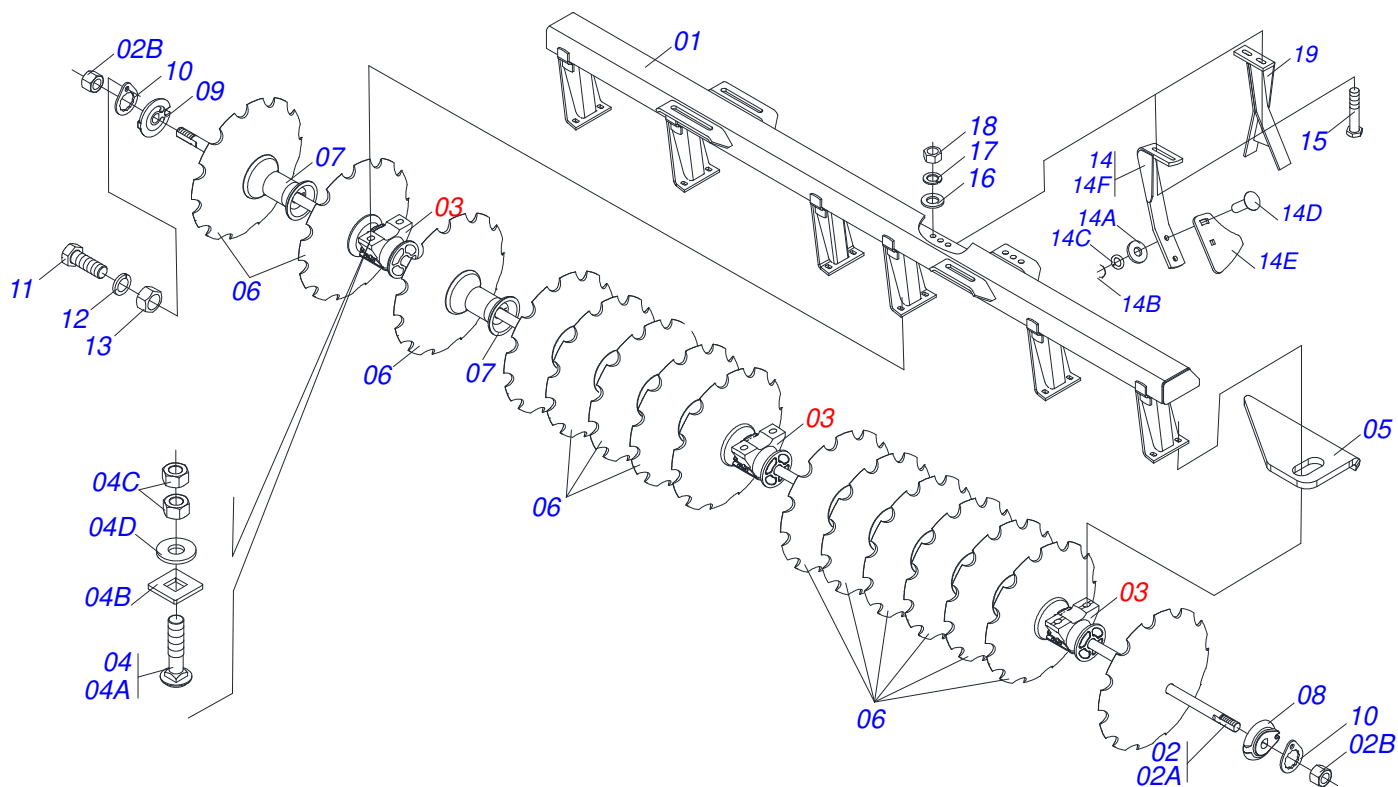
Item	Code	Description	See page	QT
01	0521067123	REAR FRAME		01
02	0511053817	SHAFT C/ NUT		02
02A	0571014468	1.5/8" 7FPP X 2925 AXLE		01
02B	0502040640	1.5/8" 2.3/4" NUT		02
03	0501046312	OIL BATH BEARING	26	06
04	0511040034	3/4" X 3-1/4" BOLT ASSY		12
04A	0501017303	3/4" X 3-1/4" BOLT		01
04B	0501010949	3/4" SQUARE WASHER		01
04C	0503010014	3/4" NUT		02
04D	0501010322	FLAT WASHER		01
05	0571015396	CLEANER BEARING		06
06	0601031076	26"X 0.2" PLAIN DISC BLADE		26
07	0502010626	8.9" 1-5/8" SPACER		18
08	0502011048	1-5/8" EXTERNAL AXLE WASHER		02
09	0502011047	1-5/8" INNER AXLE WASHER		02
10	0511014339	1-5/8" 2.8" NUT LOCK		04
11	0503011267	BOLT 5/8 UNC X 1.1/2 C S G.5 ZN		04
12	0503010027	5/8" SPRING WASHER		04
13	0503010013	5/8" NUT		04
14	0511059727	REAR CLEANING ASSEMBLY		18
14A	0501012140	FLAT WASHER		18
14B	0503010013	5/8" NUT		18
14C	0503010027	5/8" SPRING WASHER		18
14D	0503012699	BOLT 5/8NC X 2 CAPQ G.5 ZN 1K20548		18
14E	0581012584	SHOVEL SCRAPER		18
14F	0521067240	REAR SCRAPER SUPPORT		18
15	0503011239	1/2" X 2" BOLT		32
16	0511017302	FLAT WASHER		32
17	0503010019	1/2" SPRING WASHER		32
18	0503010060	1/2" NUT		32
19	0521064296	CLEANER		18



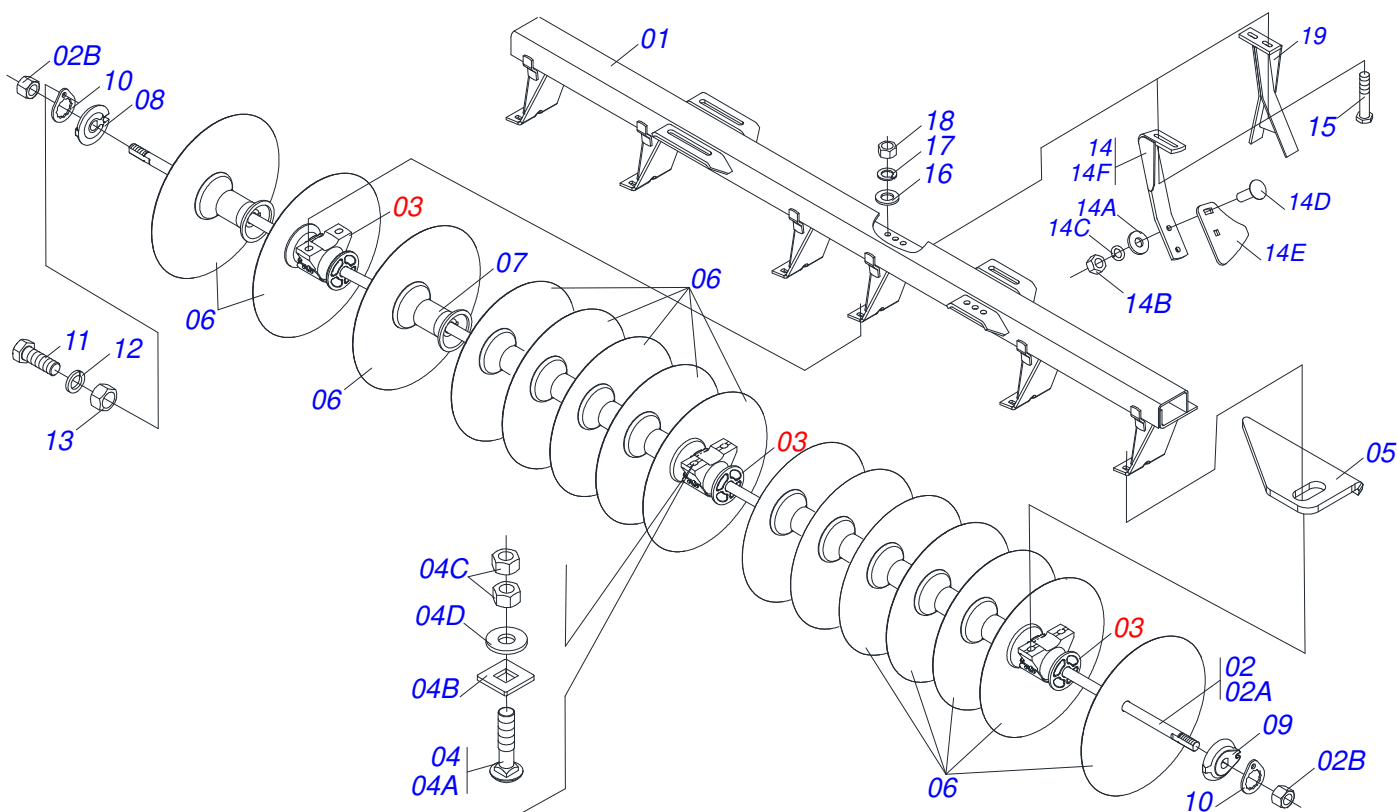
Item	Code	Description	See page	QT
01	0521067134	FRONT FRAME		01
02	0511053816	SHAFT C/ NUT		02
02A	0571014467	1.5/8" 7FPP X 3155 AXLE		01
02B	0502040640	1.5/8" 2.3/4" NUT		02
03	0501046312	OIL BATH BEARING	26	06
04	0511040034	3/4" X 3-1/4" BOLT ASSY		12
04A	0501017303	3/4" X 3-1/4" BOLT		01
04B	0501010949	3/4" SQUARE WASHER		01
04C	0503010014	3/4" NUT		02
04D	0501010322	FLAT WASHER		01
05	0571015395	CLEANER BEARING		06
06	0602030369	24" X 0.2" NOTCHED DISC BLADE		28
07	0502010626	8.9" 1-5/8" SPACER		20
08	0502011048	1-5/8" EXTERNAL AXLE WASHER		02
09	0502011047	1-5/8" INNER AXLE WASHER		02
10	0511014339	1-5/8" 2.8" NUT LOCK		04
11	0503011267	BOLT 5/8 UNC X 1.1/2 C S G.5 ZN		04
12	0503010027	5/8" SPRING WASHER		04
13	0503010013	5/8" NUT		04
14	0511059727	REAR CLEANING ASSEMBLY		20
14A	0501012140	FLAT WASHER		20
14B	0503010013	5/8" NUT		20
14C	0503010027	5/8" SPRING WASHER		20
14D	0503012699	BOLT 5/8NC X 2 CAPQ G.5 ZN 1K20548		20
14E	0581012584	SHOVEL SCRAPER		20
14F	0521067240	REAR SCRAPER SUPPORT		20
15	0503011239	1/2" X 2" BOLT		40
16	0511017302	FLAT WASHER		40
17	0503010019	1/2" SPRING WASHER		40
18	0503010060	1/2" NUT		40
19	0521064296	CLEANER		20



Item	Code	Description	See page	QT
01	0521064299	REAR FRAME		01
02	0511053816	SHAFT C/ NUT		02
02A	0571014467	1.5/8" 7FPP X 3155 AXLE		02
02B	0502040640	1.5/8" 2.3/4" NUT		04
03	0501046312	OIL BATH BEARING	26	06
04	0511040034	3/4" X 3-1/4" BOLT ASSY		12
04A	0501017303	3/4" X 3-1/4" BOLT		01
04B	0501010949	3/4" SQUARE WASHER		01
04C	0503010014	3/4" NUT		02
04D	0501010322	FLAT WASHER		01
05	0571015396	CLEANER BEARING		06
06	0601031076	26"X 0.2" PLAIN DISC BLADE		28
07	0502010626	8.9" 1-5/8" SPACER		20
08	0502011048	1-5/8" EXTERNAL AXLE WASHER		02
09	0502011047	1-5/8" INNER AXLE WASHER		02
10	0511014339	1-5/8" 2.8" NUT LOCK		04
11	0503011267	BOLT 5/8 UNC X 1.1/2 C S G.5 ZN		04
12	0503010027	5/8" SPRING WASHER		04
13	0503010013	5/8" NUT		04
14	0511059727	REAR CLEANING ASSEMBLY		20
14A	0501012140	FLAT WASHER		20
14B	0503010013	5/8" NUT		20
14C	0503010027	5/8" SPRING WASHER		20
14D	0503012699	BOLT 5/8NC X 2 CAPQ G.5 ZN 1K20548		20
14E	0581012584	SHOVEL SCRAPER		20
14F	0521067240	REAR SCRAPER SUPPORT		20
15	0503011239	1/2" X 2" BOLT		40
16	0511017302	FLAT WASHER		40
17	0503010019	1/2" SPRING WASHER		40
18	0503010060	1/2" NUT		40
19	0521064296	CLEANER		20

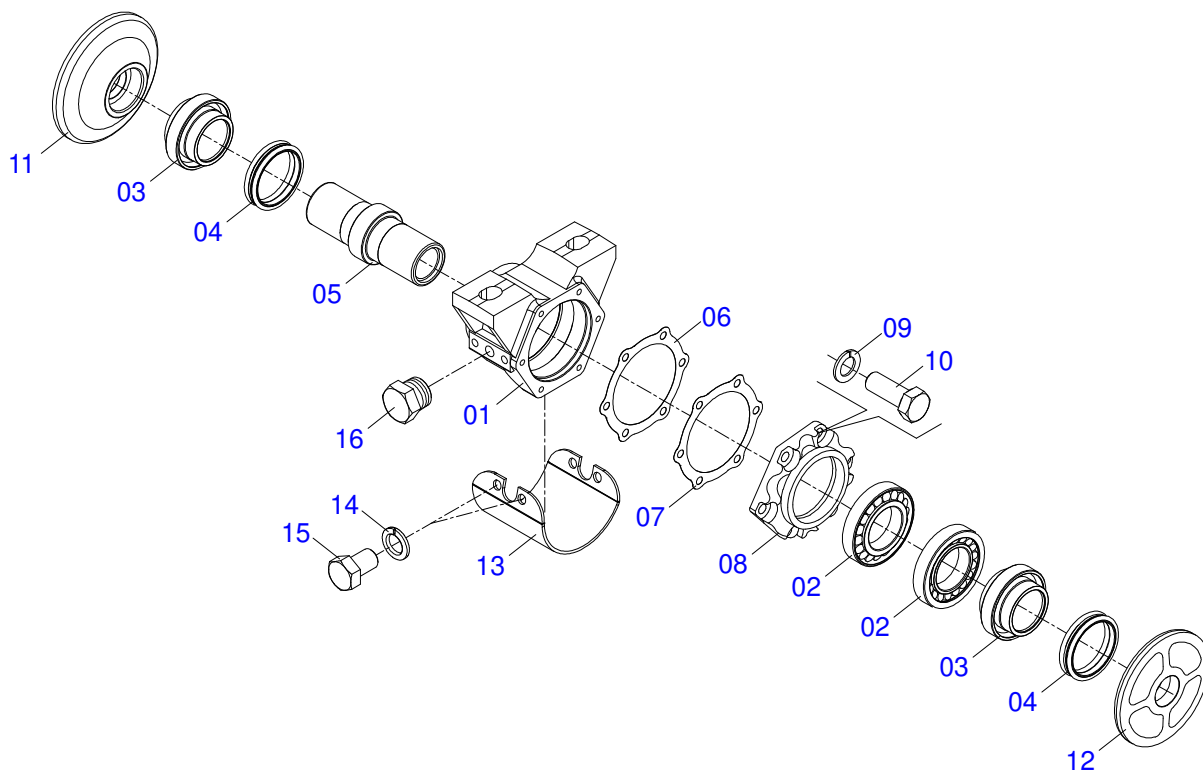


Item	Code	Description	See page	QT
01	0521067146	FRAME FRONT		01
02	0511052979	SHAFT C/ NUT		02
02A	0502040640	1.5/8" 2.3/4" NUT		02
02B	0571011474	1.5/8"7FPP X 3382 AXLE C/ NUT		01
03	0501046312	OIL BATH BEARING	26	06
04	0511040034	3/4" X 3-1/4" BOLT ASSY		12
04A	0501017303	3/4" X 3-1/4" BOLT		01
04B	0501010949	3/4" SQUARE WASHER		01
04C	0503010014	3/4" NUT		02
04D	0501010322	FLAT WASHER		01
05	0571015395	CLEANER BEARING		06
06	0602030369	24" X 0.2" NOTCHED DISC BLADE		30
07	0502010626	8.9" 1-5/8" SPACER		22
08	0502011048	1-5/8" EXTERNAL AXLE WASHER		02
09	0502011047	1-5/8" INNER AXLE WASHER		02
10	0511014339	1-5/8" 2.8" NUT LOCK		04
11	0503011267	BOLT 5/8 UNC X 1.1/2 C S G.5 ZN		04
12	0503010027	5/8" SPRING WASHER		04
13	0503010013	5/8" NUT		04
14	0511059727	REAR CLEANING ASSEMBLY		22
14A	0501012140	FLAT WASHER		22
14B	0503010013	5/8" NUT		22
14C	0503010027	5/8" SPRING WASHER		22
14D	0503012699	BOLT 5/8NC X 2 CAPQ G.5 ZN 1K20548		22
14E	0581012584	SHOVEL SCRAPER		22
14F	0521067240	REAR SCRAPER SUPPORT		22
15	0503011239	1/2" X 2" BOLT		44
16	0511017302	FLAT WASHER		44
17	0503010019	1/2" SPRING WASHER		44
18	0503010060	1/2" NUT		44
19	0521064296	CLEANER		22

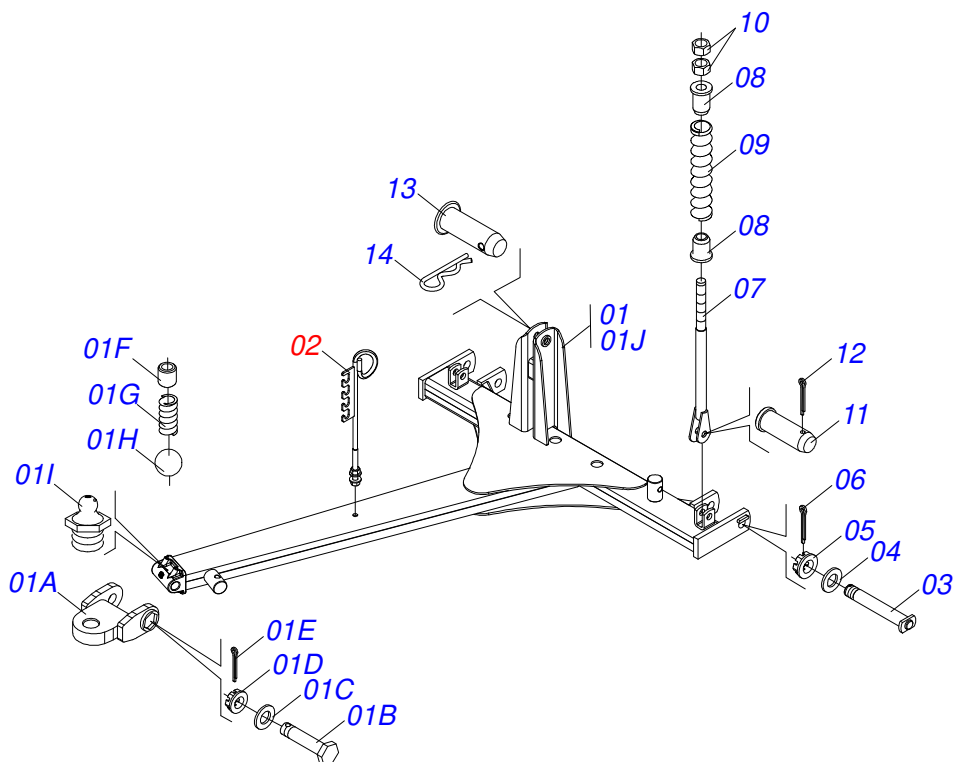


Item	Code	Description	See page	QT
01	0521063835	REAR FRAME		01
02	0511052979	SHAFT C/ NUT		02
02A	0502040640	1.5/8" 2.3/4" NUT		02
02B	0571011474	1.5/8"7FPP X 3382 AXLE C/ NUT		01
03	0501046312	OIL BATH BEARING	26	06
04	0511040034	3/4" X 3-1/4" BOLT ASSY		12
04A	0501017303	3/4" X 3-1/4" BOLT		01
04B	0501010949	3/4" SQUARE WASHER		01
04C	0503010014	3/4" NUT		02
04D	0501010322	FLAT WASHER		01
05	0571015395	CLEANER BEARING		06
06	0601031076	26"X 0.2" PLAIN DISC BLADE		30
07	0502010626	8.9" 1-5/8" SPACER		22
08	0502011048	1-5/8" EXTERNAL AXLE WASHER		02
09	0502011047	1-5/8" INNER AXLE WASHER		02
10	0511014339	1-5/8" 2.8" NUT LOCK		04
11	0503011267	BOLT 5/8 UNC X 1.1/2 C S G.5 ZN		04
12	0503010027	5/8" SPRING WASHER		04
13	0503010013	5/8" NUT		04
14	0511059727	REAR CLEANING ASSEMBLY		22
14A	0501012140	FLAT WASHER		22
14B	0503010013	5/8" NUT		22
14C	0503010027	5/8" SPRING WASHER		22
14D	0503012699	BOLT 5/8NC X 2 CAPQ G.5 ZN 1K20548		22
14E	0581012584	SHOVEL SCRAPER		22
14F	0521067240	REAR SCRAPER SUPPORT		22
15	0503011239	1/2" X 2" BOLT		44
16	0511017302	FLAT WASHER		44
17	0503010019	1/2" SPRING WASHER		44
18	0503010060	1/2" NUT		44
19	0521064296	CLEANER		22

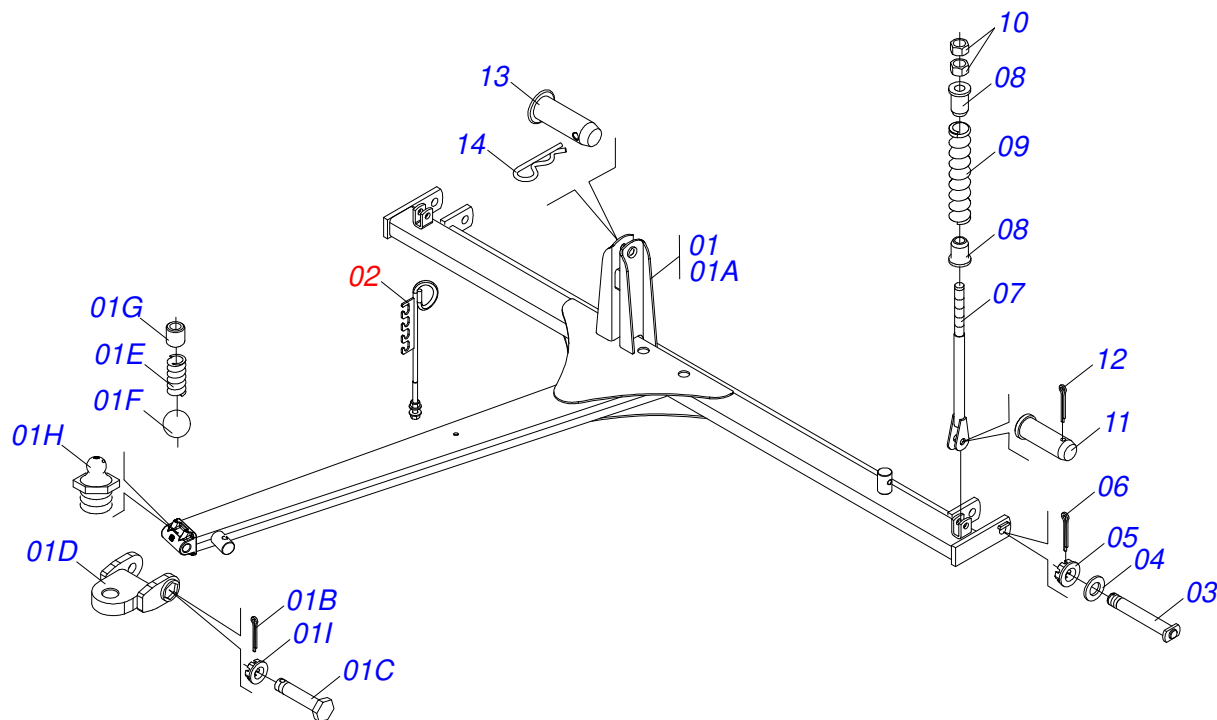
OIL BATH BEARING



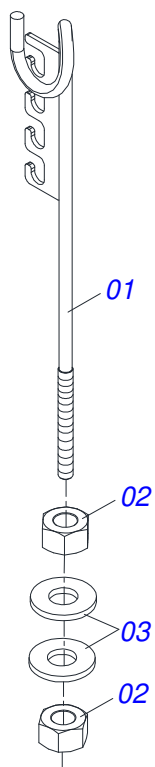
Item	Code	Description	See page	QT
01	0502020673	HOUSING CAP DM		01
02	0503010113	30212 ROLLER BEARING		02
03	0502010633	SEAL RETAINER		02
04	0503030027	DUO-CONE SEAL		02
05	0502010639	AXLE FOR CM/DM		01
06	0503031972	137 X 113,2 X 0,3 JOINT		03
07	0503031973	137 X 113,2 X 0,1 JOINT		02
08	0502012445	BEARING COVER BOX (BOX SLIGHTLY)		01
09	0503011443	3/8" SPRING WASHER		06
10	0503010237	3/8" X 1" BOLT		06
11	0502040240	INNER FLANGE		01
12	0502040239	OUTER FLANGE		01
13	0521012933	BEARING WEAR PLATE		01
14	0503010019	1/2" SPRING WASHER		04
15	0503011401	1/2" X 3/4" BOLT		04
16	0503010856	OIL PLUG		02



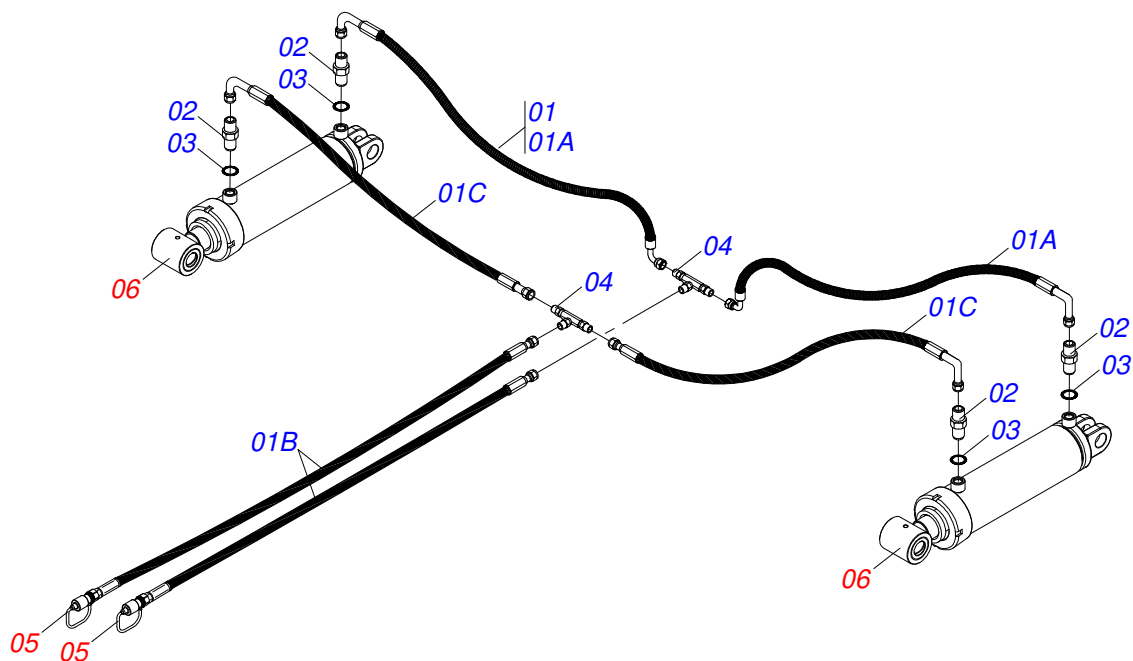
Item	Code	Description	See page	QT
01	0511055708	DRAWBAR ASSY		01
01A	0511070237	TRACTOR HITCH		01
01B	0571016538	1-1/2" X 245" BOLT		01
01C	0501010237	FLAT WASHER		01
01D	0501011301	1.1/2 UNC 6FPP 2.5/16 NUT		01
01E	0503010010	1/4" X 2.1/2" COTTERPIN		01
01F	0503013333	BOLT		02
01G	0503033994	COMPRESSION SPRING		02
01H	0503012389	1/2 BALL		02
01I	0503010002	1800 GREASE FITTING		01
01J	0521065049	HEADER		01
02	0501040257	3/4 X 1200 HOSE HOLDER A	29	01
03	0521062959	38,1 X 265 AXLE		02
04	0501012916	FLAT WASHER 38,50 X 66 X 4,75 ZN		02
05	0501011301	1.1/2 UNC 6FPP 2.5/16 NUT		02
06	0503010010	1/4" X 2.1/2" COTTERPIN		02
07	0501064699	SPRING ROD		02
08	0502020394	SPRING SUPPORT		04
09	0503031341	2.7 X 8 X 0.5 COMPRESSION SPRING		02
10	0501010087	1.1/4" NUT		04
11	0521010592	1.1" X 3.1" COUPLING SHAFT		02
12	0503010571	1/4" X 1.1/2 COTTERPIN		02
13	0511011887	COUPLING SHAFT		01
14	0503031035	HITCH PIN CLIP		01



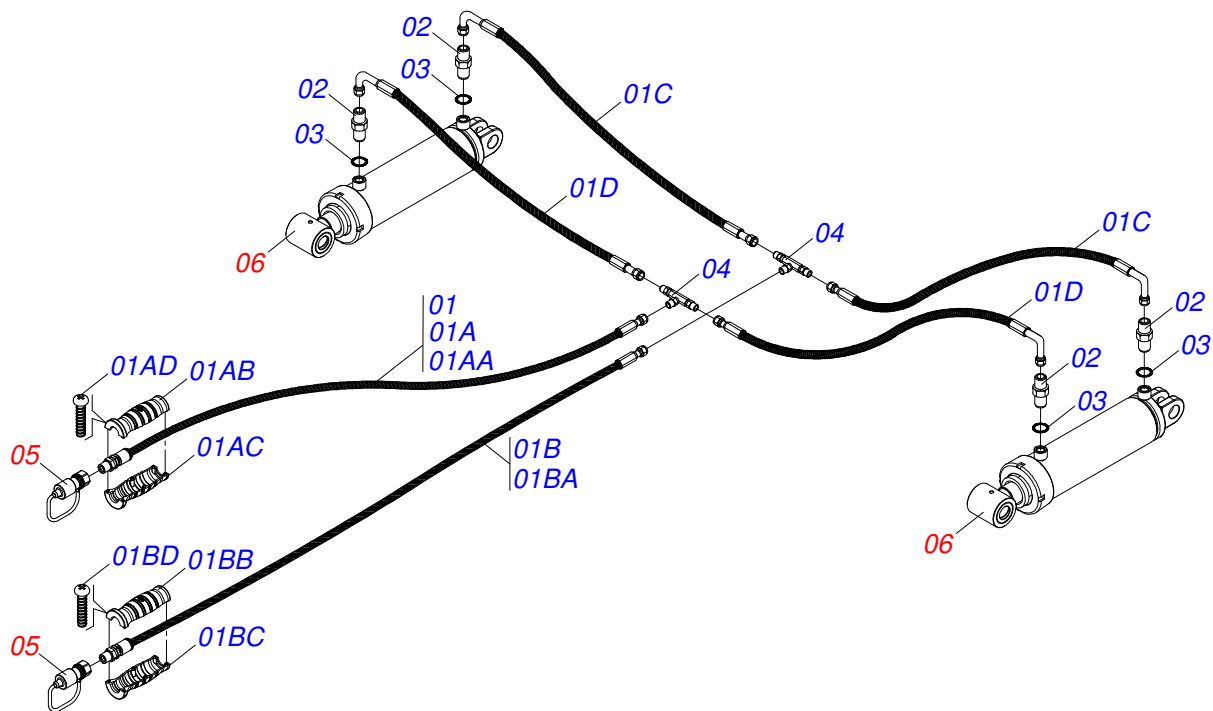
Item	Code	Description	See page	QT
01	0511055797	DRAWBAR ASSY		01
01A	0521063159	DRAWBAR		01
01B	0503010010	1/4" X 2.1/2" COTTERPIN		01
01C	0571016538	1-1/2" X 245" BOLT		01
01D	0511070237	TRACTOR HITCH		01
01E	0503033994	COMPRESSION SPRING		02
01F	0503012389	1/2 BALL		02
01G	0503013333	BOLT		02
01H	0503010002	1800 GREASE FITTING		01
01I	0501011301	1.1/2 UNC 6FPP 2.5/16 NUT		01
02	0501040257	3/4 X 1200 HOSE HOLDER A	29	01
03	0521062959	38,1 X 265 AXLE		02
04	0501012916	FLAT WASHER 38,50 X 66 X 4,75 ZN		02
05	0501011301	1.1/2 UNC 6FPP 2.5/16 NUT		02
06	0503010010	1/4" X 2.1/2" COTTERPIN		02
07	0501064699	SPRING ROD		02
08	0502020394	SPRING SUPPORT		04
09	0503031341	2.7 X 8 X 0.5 COMPRESSION SPRING		02
10	0501010087	1.1/4" NUT		04
11	0521010592	1.1" X 3.1" COUPLING SHAFT		02
12	0503010571	1/4" X 1.1/2 COTTERPIN		02
13	0511011887	COUPLING SHAFT		01
14	0503031035	HITCH PIN CLIP		01



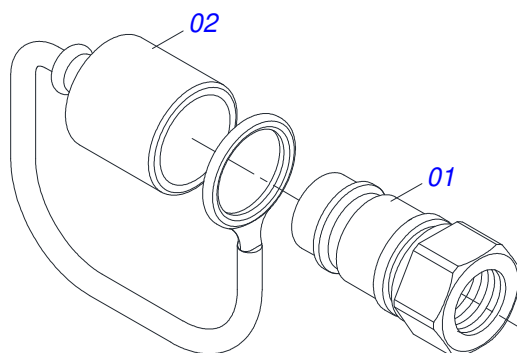
Item	Code	Description	See page	QT
01	0511067334	HOSE SOPPORT ASSY		01
02	0503010014	3/4" NUT		02
03	0501010322	FLAT WASHER		02



Item	Code	Description	See page	28	32	36	40
01	0511057697	HOSE ASSY GNCF		01	01	01	01
01A	0501080514	3/8 X 1700 TC-TC HOSE		02	02	02	02
01B	0501080349	3/8" X 7500 TR-TM HOSE		02	02	02	02
01C	0501080025	3/8 X 1400 TR-TC HOSE		02	02	02	02
02	0501010617	3/4" NIPPLE		04	04	04	04
03	0503010190	2-114 N 3006-9B O'RING		04	04	04	04
04	0503011271	3/4" UNF "T" CONNECTION T 3 SIDES		02	02	02	02
05	0501053834	MALE QUICK COUPLER	32	02	02	02	02
06	0511058405	HYDRAULIC CYLINDER 50,80 X 101,60 X 561 X 252	7	02	02	02	02



Item	Code	Description	See page	44	48	52	56	60
01	0511051951	HOSE ASSY GNCF		01	01	01	01	01
01A	0521053107	3/8 X 7500 TR-TM HOSE BLACK / BLUE		01	01	01	01	01
01AA	0501080349	3/8" X 7500 TR-TM HOSE		01	01	01	01	01
01AB	0503034492	HYDRAULIC HOSE GRIP (BLACK)		01	01	01	01	01
01AC	0503034494	HYDRAULIC HOSE GRIP (BLUE)		01	01	01	01	01
01AD	0503018952	PLASTIC BOLT		06	06	06	06	06
01B	0521053108	3/8 X 7500 TR-TM HOSE BLACK / RED		01	01	01	01	01
01BA	0501080349	3/8" X 7500 TR-TM HOSE		01	01	01	01	01
01BB	0503034495	HYDRAULIC HOSE GRIP (RED)		01	01	01	01	01
01BC	0503034492	HYDRAULIC HOSE GRIP (BLACK)		01	01	01	01	01
01BD	0503018952	PLASTIC BOLT		06	06	06	06	06
01C	0501080402	HOSE 3/8 X 1700 TR-TC		02	02	02	02	02
01D	0501080025	3/8 X 1400 TR-TC HOSE		02	02	02	02	02
02	0501010617	3/4" NIPPLE		04	04	04	04	04
03	0503010190	2-114 N 3006-9B O'RING		04	04	04	04	04
04	0503011271	3/4" UNF "T" CONNECTION T 3 SIDES		02	02	02	02	02
05	0501053834	MALE QUICK COUPLER	32	02	02	02	02	02
06	0511058405	HYDRAULIC CYLINDER 50,80 X 101,60 X 561 X 252	7	02	02	02	02	02



Item	Code	Description	See page	QT
01	0503011627	MALE QUICK COUPLER AGR 1/2 NPT		01
02	0503011882	MALE QUICK COUPLER CAP		01



MARCHESAN

Technical Publications | Elaboration and Revision

LUIZ CANDIDO

www.marchesan.com.br

