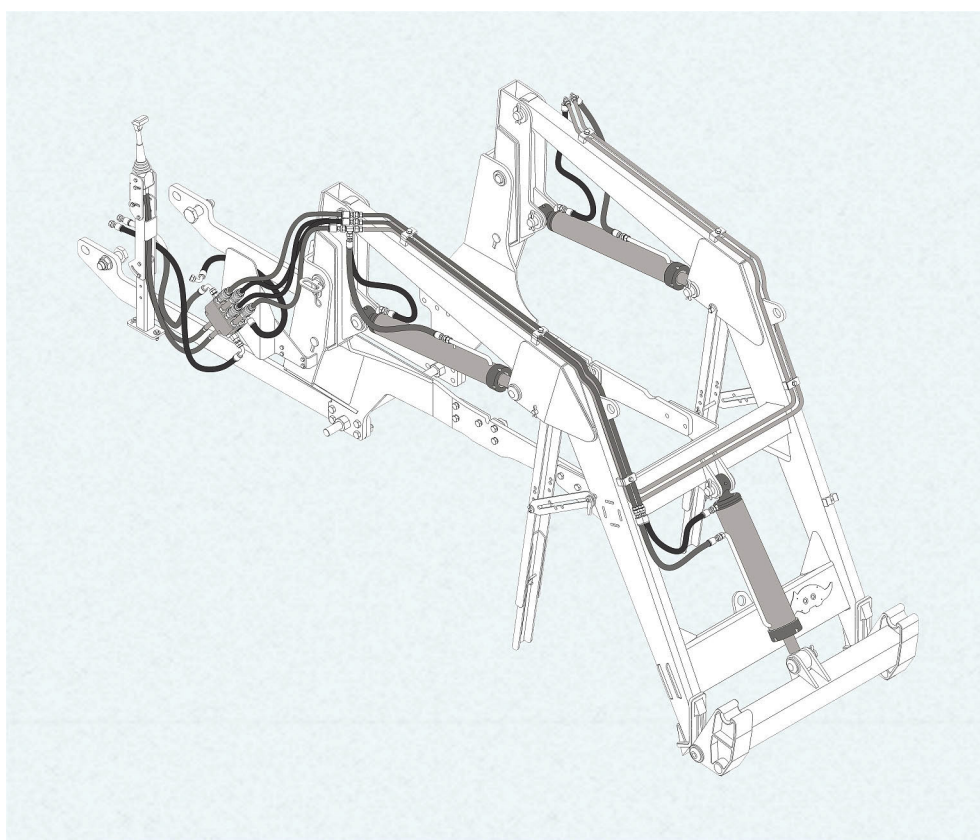


PARTS CATALOG

PCA - AGRICULTURAL FRONT LOADER

**PCA 600 VTR A850 A950 BT CD SL
JS S/AR G2**

Code: 0501091985



Series: S-0415

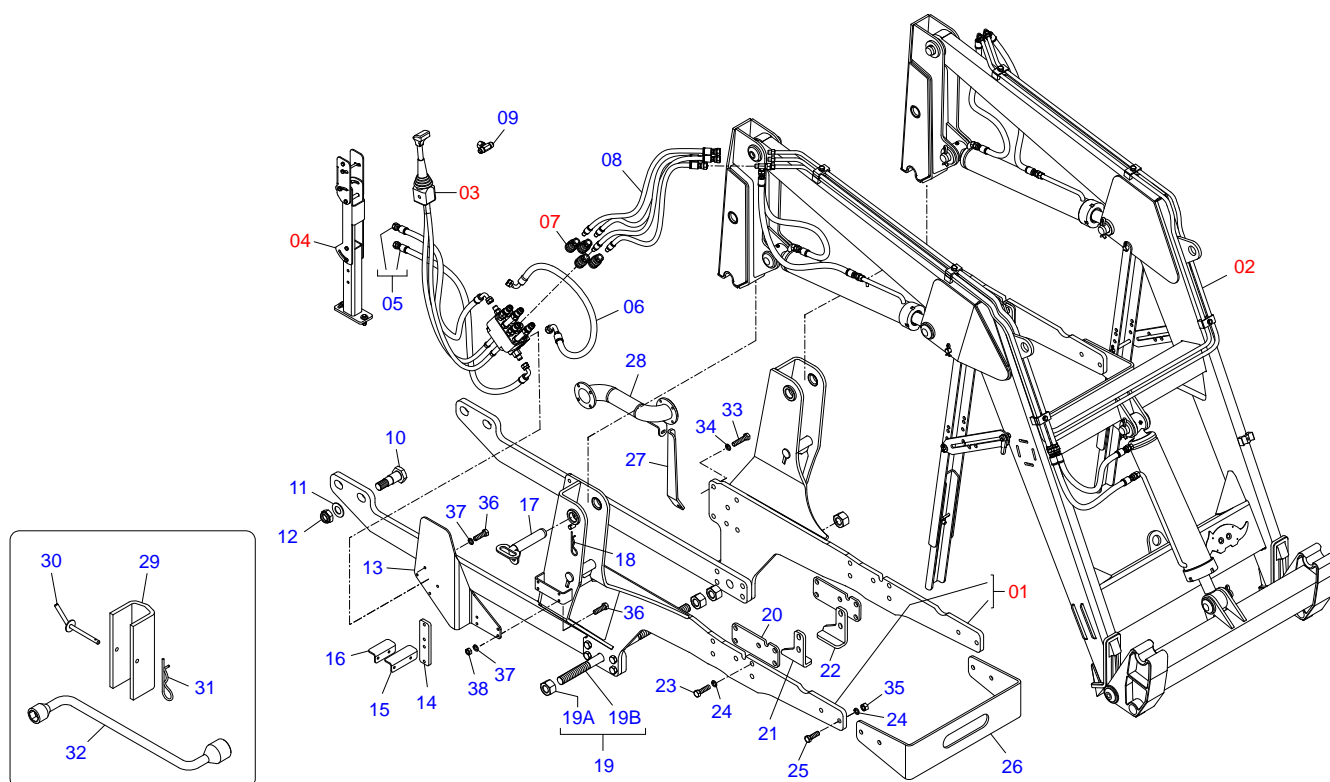
Review: AGOSTO/2017

**ORIGINAL PARTS
TATU**



INDEX

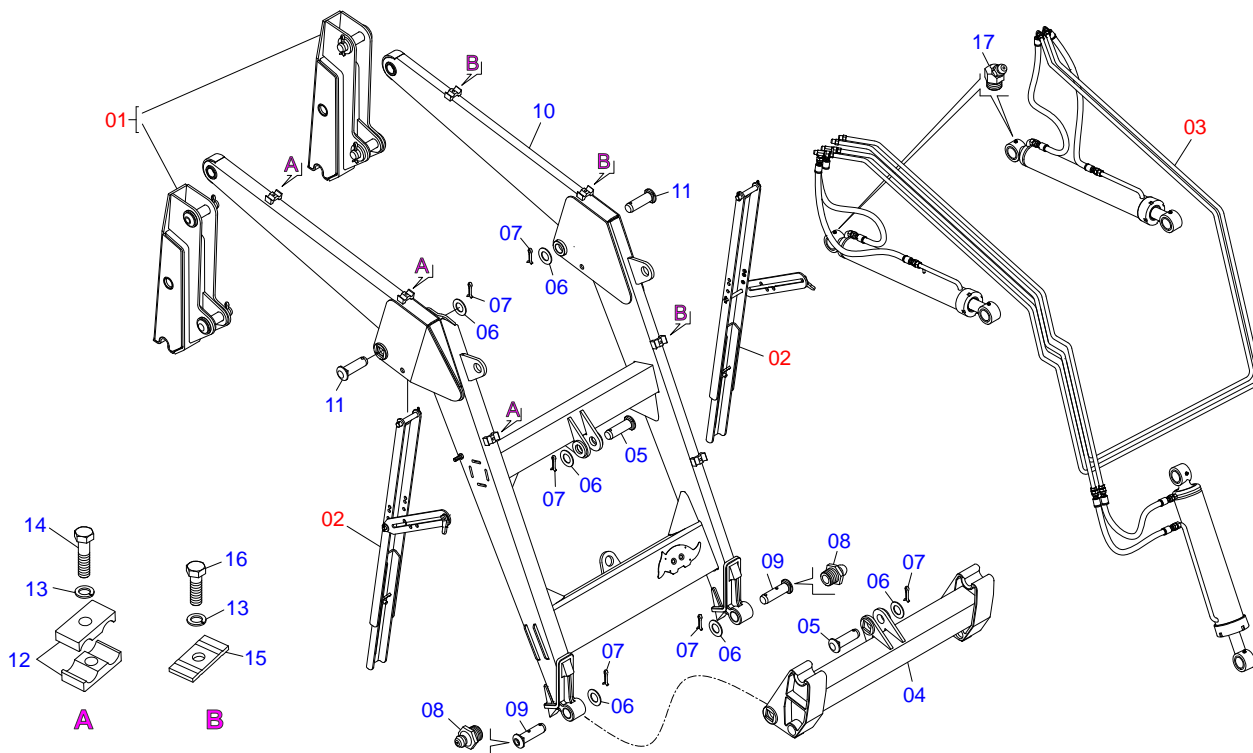
0106111610	PCA 600 VTR A850A950 BT CD SL JS S/AR G2 S-0415	1
0909092676	MOBILE SUPPORT SET - PCA 600 VTR	2
0909092588	MOBILE SUPPORT TOWERS SET - PCA 600 VTR	3
0909092667	REST OF THE MOBILE PCA 800 SUPPORT - PCA 800	4
0909092732	HYDRAULIC CIRCUIT OF MOBILE SUPPORT - PCA 600 VTR	5
0521045960	CHASSIS ASSEMBLY WITH REAR BAR - PCA VTR A750	6
0521045489	BLOCK COMMAND	7
0521045393	SET SUPPORT JOY STICK	8
0521050762	44,45 X 76,20 X 865 X 555 HYDRAULIC CYLINDER - PCA 600	9
0511057915	44,45 X 101,60 X 702 X 738 HIDRAULIC CYLINDER - PCA 600	10



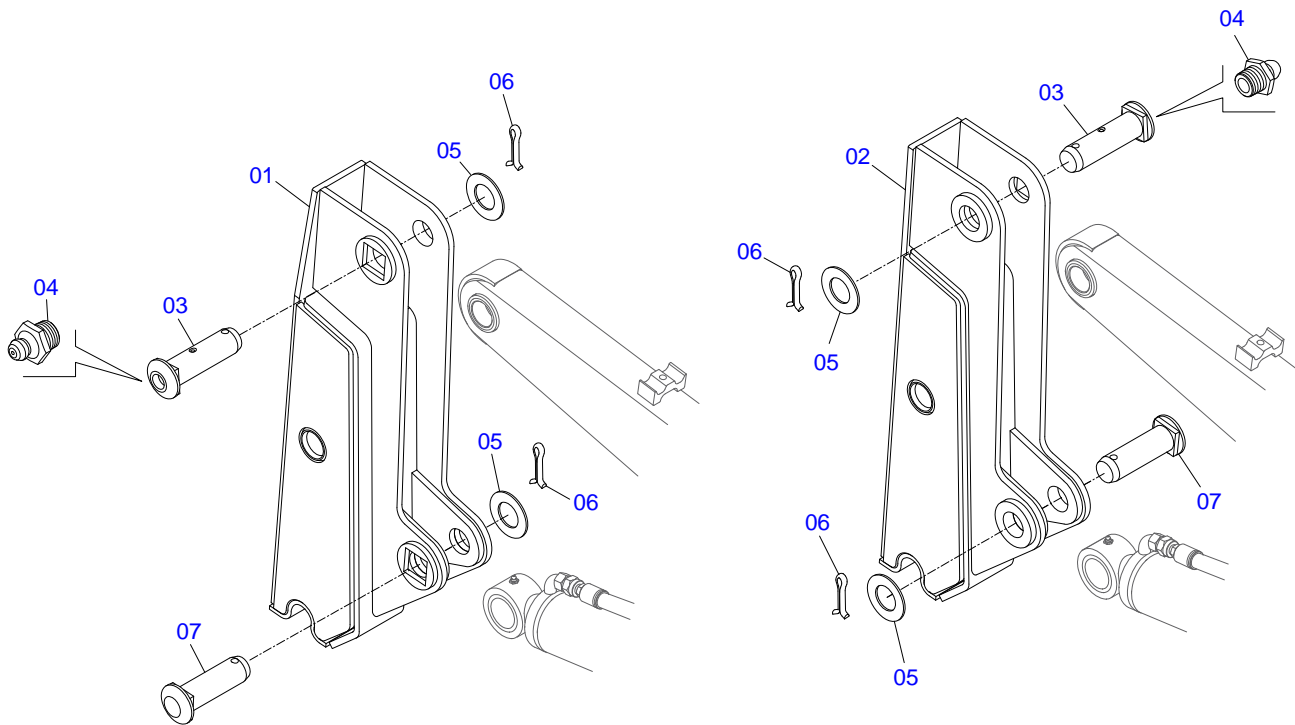
Item	Code	Description	QT
01	0521045960	CHASSIS ASSEMBLY WITH REAR BAR - PCA VTR	01
02	0909092676	MOBILE SUPPORT SET - PCA 600 VTR	01
03	0521045489	BLOCK COMMAND	01
04	0521045393	SET SUPPORT JOY STICK	01
05	0501080302	TR-TC HOSE ASSY	02
06	0501080283	1/2" X 102.4" TC-TC HOSE ASSY	01
07	0501053835	FEMALE QUICK COUPLER	04
08	0521050764	HOSE SET OF MOBILE HOLDER - PCA 600	01
09	0503017982	7/8" ADAPTER WITH CENTRAL SWIVEL NUT - PCA	01
10	0571019101	1.1/4 UNF X 110 BOLT PCA-T PLUS 1500 VTR A950	02
11	0531017601	FLAT WASHER	02
12	0503010044	1-1/4" SELF-ADJUSTING NUT	02
13	0571019089	SUPPORT BRACKET OF THE CONTROL - PCA-T	01
14	0571019090	BATTERY HOLDER PLATE - PCA-T PLUS 1500 VTR	01
15	0571019244	MAJOR TOOL BOX FIXER - PCA-T PLUS 1500 VTR	01
16	0571019245	TOOL BOX MINIMUM FIXER - PCA-T PLUS 1500 VTR	01
17	0521061682	AXLE FIXER	02
18	0503030012	HAIR PIN	02
19	0501044434	1" NC X 700 ROD W/NUTS	01
19A	0501010087	1.1/4" NUT	04
19B	0501014753	1" NC X 700 ROD	01
20	0571017227	CHASSIS SHIM - PCA VTR A750/850/950	02
21	0571013125	RIGHT SCOUT - PCA/PD VTR A750A950	01
22	0571013126	LEFT BEATER - PCA/PD VTR A750A950	01
23	0503011730	M16 X 2 X 60 BOLT	10
24	0503010027	SPRING WASHER	14
25	0503011243	5/8" X 2" BOLT	04
26	0571017231	FRONT PROTECTOR PCA VTR A750/850/950	01
27	0571017226	SUPPLEMENTARY FASTENER - PCA VTR	01
28	0521065252	EXHAUST SUPPLEMENT - PCA VTR A750/850/950	01
29	0511010839	TRANSPORT LOCK 7.9" X 2.1" X 0.4"	02
30	0501068994	0.3" X 3.1" LOCK PIN	02
31	0503030012	HAIR PIN	02



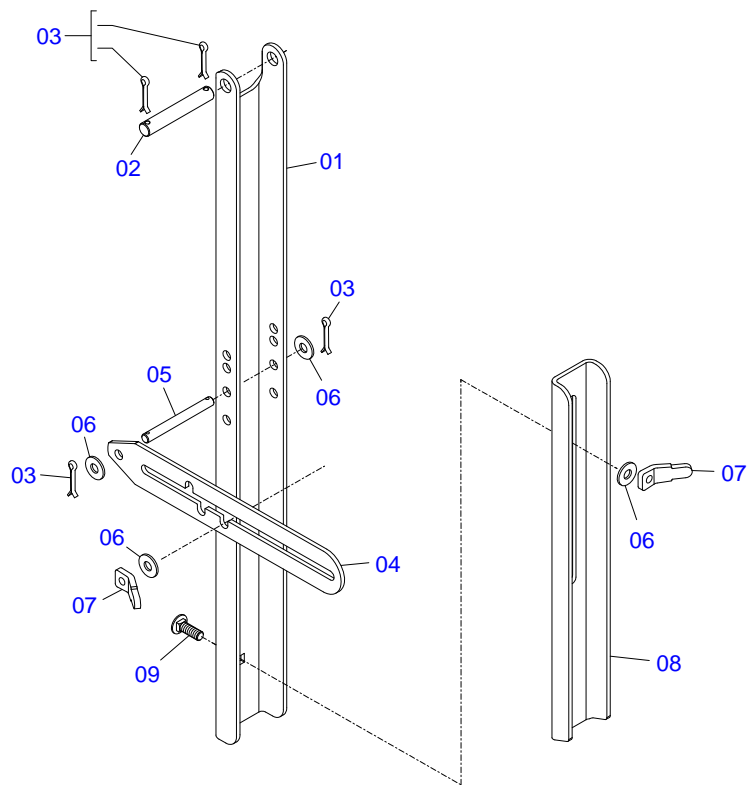
Item	Code	Description	QT
32	0501068213	5/8" WRENCH DOUBLE	01
33	0503011730	M16 X 2 X 60 BOLT	12
34	0503010027	SPRING WASHER	12
35	0503010013	5/8" NUT	04
36	0503010371	5/16" X 1" BOLT	08
37	0503010179	SPRING WASHER	09
38	0503010337	5/16" NUT	04



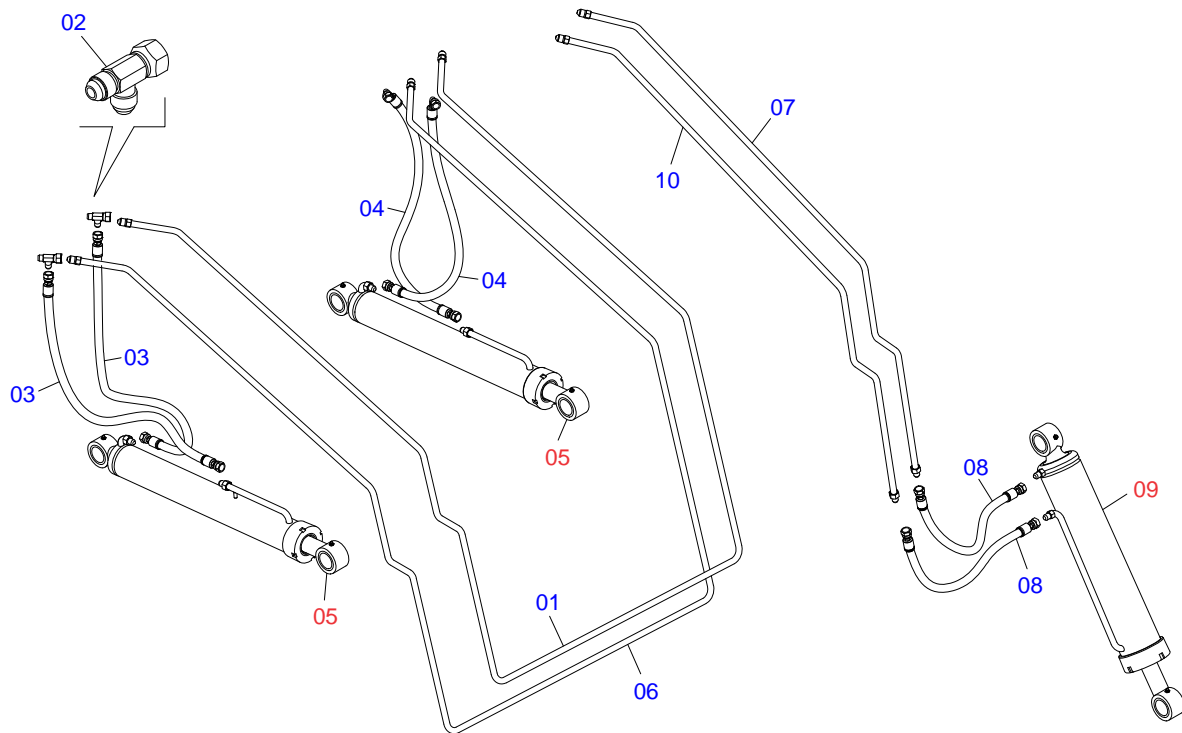
Item	Code	Description	QT
01	0909092588	MOBILE SUPPORT TOWERS SET - PCA 600 VTR	01
02	0909092667	REST OF THE MOBILE PCA 800 SUPPORT - PCA	02
03	0909092732	HYDRAULIC CIRCUIT OF MOBILE SUPPORT - PCA	01
04	0501069934	ARTÍCULOS SOPORTE PCA 600 AX 5.80-4	01
05	0511019521	1.5" X 1.4" PIVOT SHAFT	02
06	0511019685	FLAT WASHER	06
07	0503010534	3/8 X 2-1/2 COTTERPIN	06
08	0503010002	1800 GREASE FITTING	02
09	0511019519	1.5" X 1.4" PIVOT SHAFT	02
10	0521061683	MOBILE SUPPORT - PCA MF-4275/4283	01
11	0521010904	1.5" X 1.4" PIVOT SHAFT	02
12	0502010477	UPPER CLIP	06
13	0503010180	7/16" SPRING WASHER	06
14	0503012555	7/16" X 2" BOLT	03
15	0531011180	UPPER BODY CLIP	03
16	0503011102	PARAFUSO 7/16 UNC X 1.1/4 C S G.5	03
17	0503010003	1845 GREASE FITTING	02



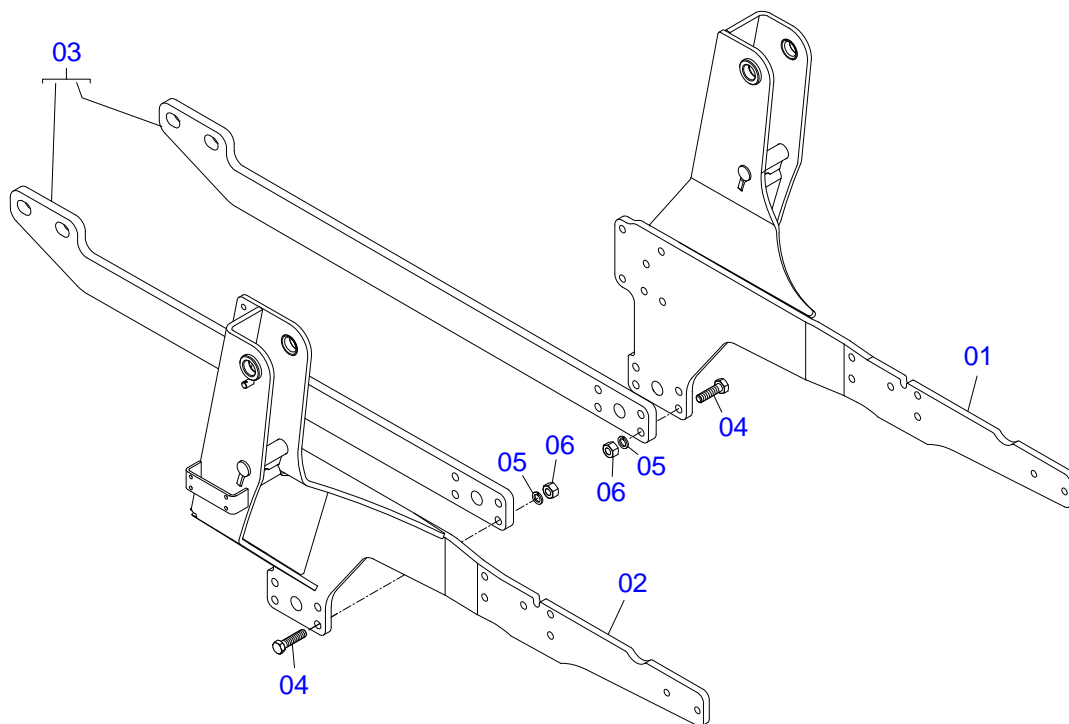
Item	Code	Description	QT
01	0521062319	RIGHT MOVABLE TOWER 30 - PCA VTRA750	01
02	0521062320	LEFT MOVED LEFT TOWER 10 - PCA VTRA750	01
03	0511019519	1.5" X 1.4" PIVOT SHAFT	02
04	0503010002	1800 GREASE FITTING	02
05	0511019685	FLAT WASHER	04
06	0503010534	3/8 X 2-1/2 COTTERPIN	04
07	0521010904	1.5" X 1.4" PIVOT SHAFT	02



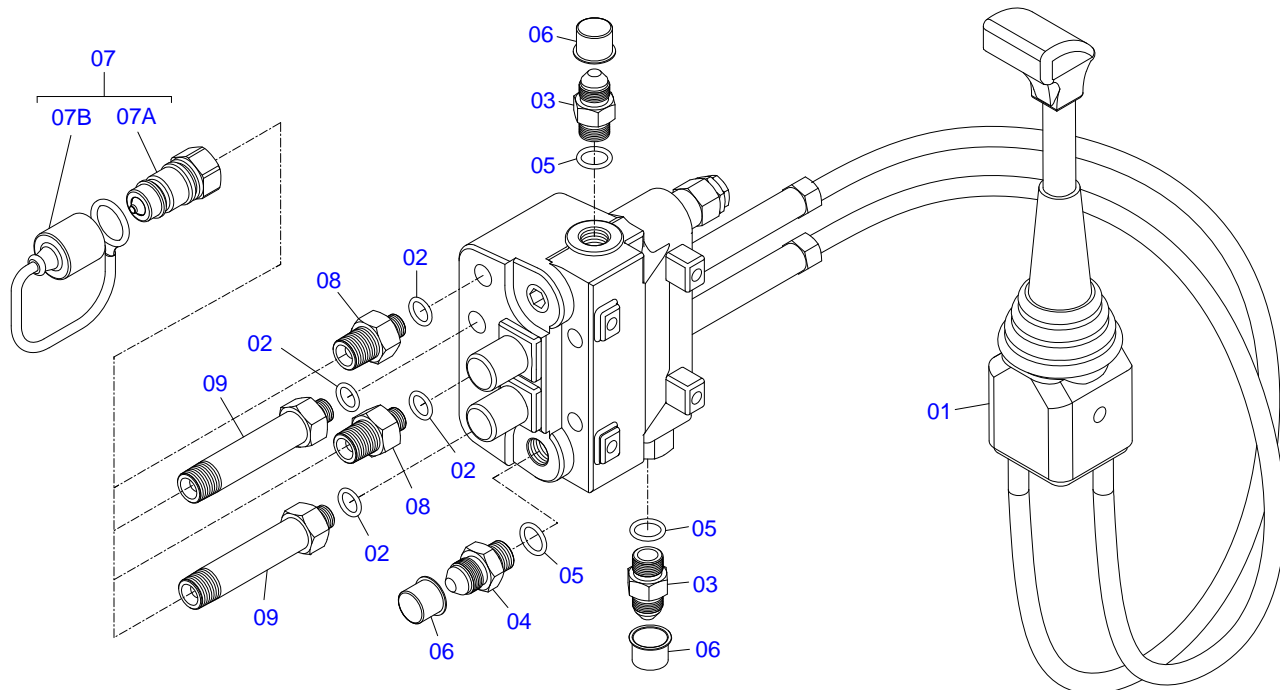
Item	Code	Description	QT
01	0561016401	PLOUGH SUPPORT BODY	02
02	0511013598	3/4" X 4.7" COUPLING SHAFT	02
03	0503010071	3/16" X 1" COTTERPIN	08
04	0511019634	CONTROL LOCK	02
05	0521012823	COUPLING SHAFT	02
06	0511017302	FLAT WASHER	08
07	0561016329	LATCH HOLDER REST PCA	04
08	0561016619	COMPLEMENTON REST	02
09	0503014378	1/2" X 1-1/2" BOLT	02



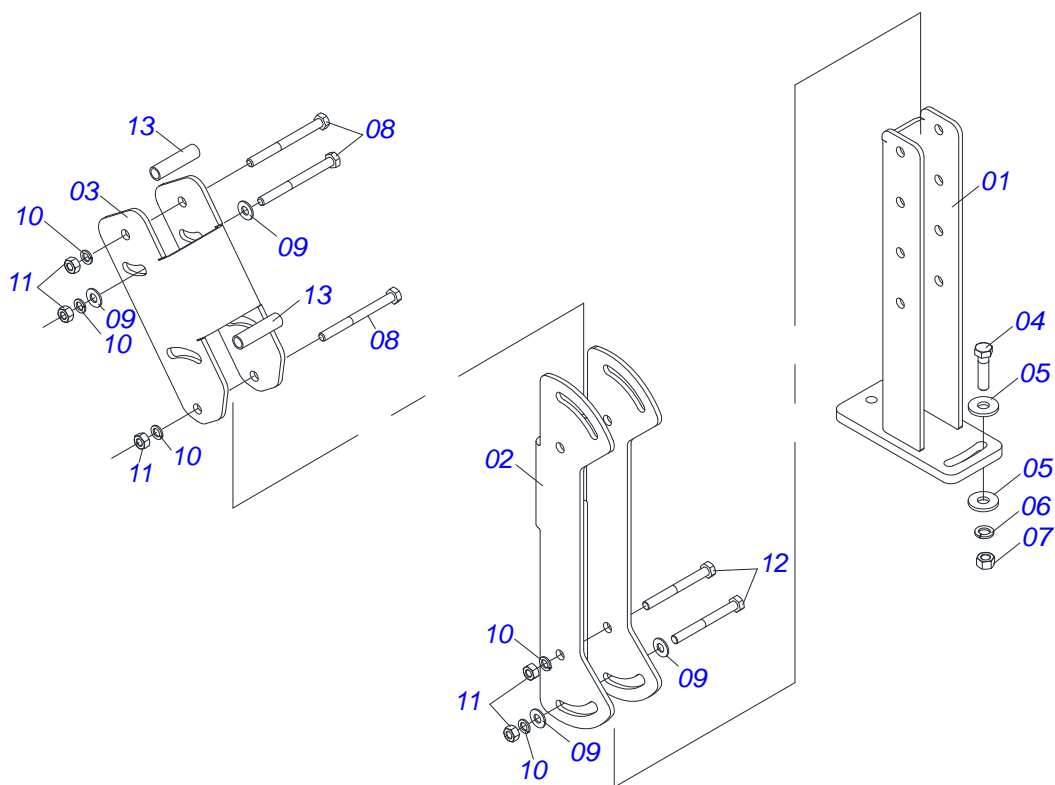
Item	Code	Description	QT
01	0521061694	INTERNAL OIL DISTRIBUTOR - PCA 4275/4283	01
02	0511019876	1/2" NIPPLE	02
03	0501080105	TR-TR HOSE ASSY	02
04	0501080413	3/8" X 27" TR-TC HOSE ASSY	02
05	0521050762	44,45 X 76,20 X 865 X 555 HYDRAULIC CYLINDER -	02
06	0521061695	EXTERNAL OIL DISTRIBUTOR - PCA 4275/4283	01
07	0521061696	INTERNAL TOP OIL DISTRIBUTOR - PCA 4275/4283	01
08	0501080635	3/8" X 19" TR-TR HOSE	02
09	0511057915	44,45 X 101,60 X 702 X 738 HIDRAULIC CYLINDER -	01
10	0521062948	UPPER OUTER OIL DISTRIBUTOR	01



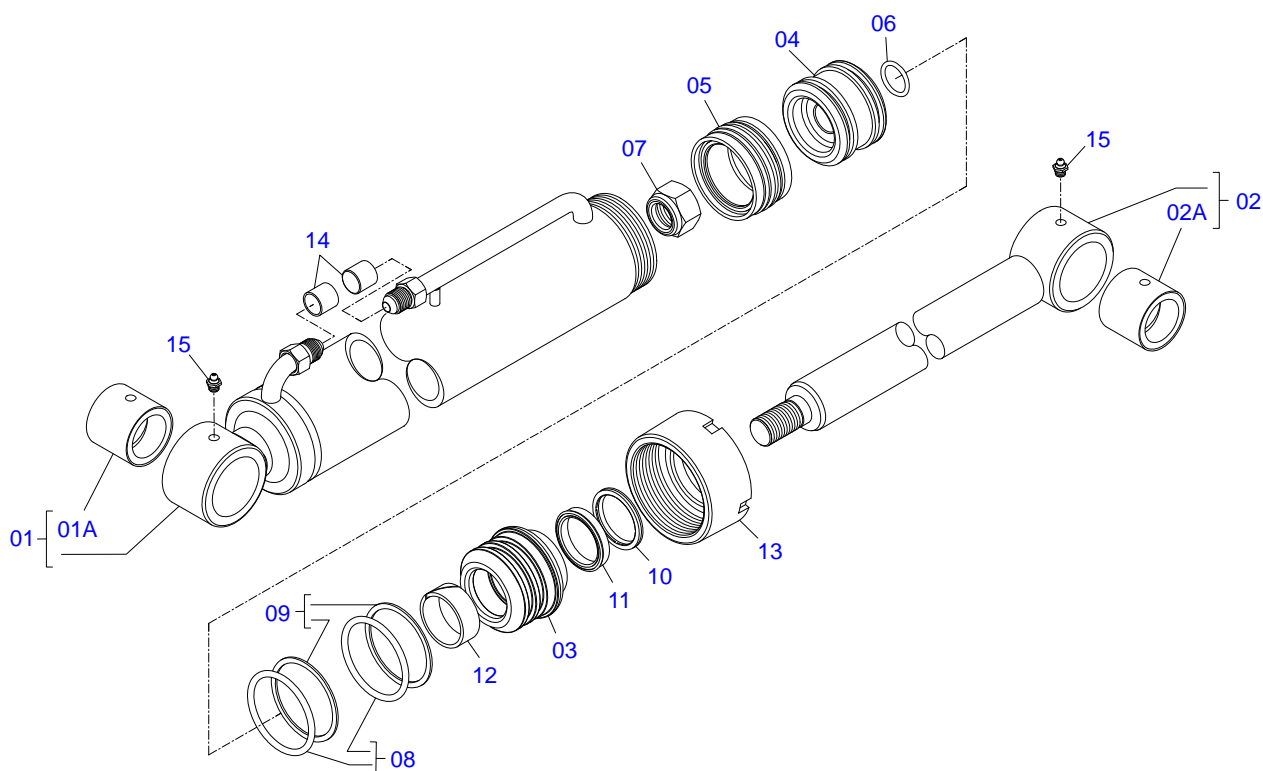
Item	Code	Description	QT
01	0521066135	LEFT CHASSIS - PCA VTR A750 A950	01
02	0521066133	RIGHT CHASSIS - PCA VTR A750 A950	01
03	0571019093	REAR COUPLING BAR PCA-T PLUS 1500 VTR	02
04	0501010500	3/4"X3"BOLT	08
05	0503010023	SPRING WASHER	08
06	0503010014	3/4" NUT	08



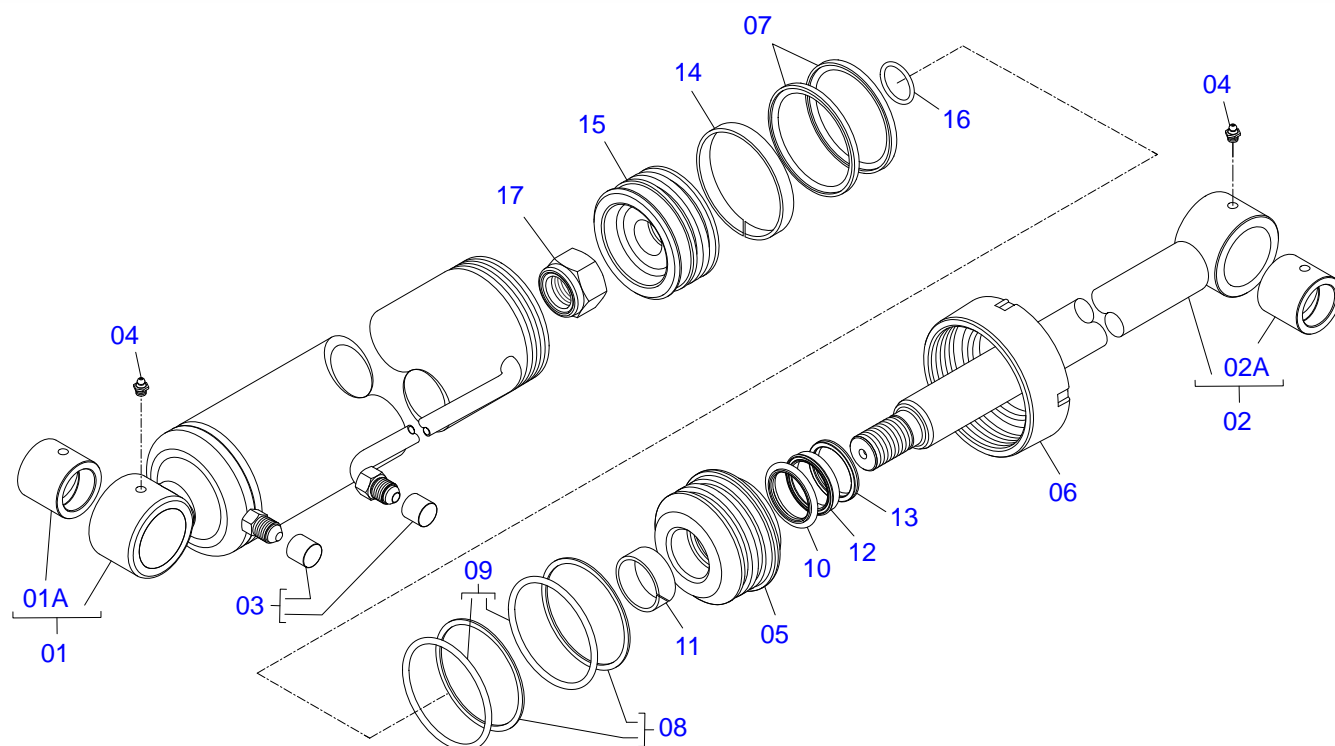
Item	Code	Description	QT
01	0503062412	COMPLETE JOYSTICK CONTROL	01
02	0503011108	2-112 O'RING	04
03	0501010617	3/4" NIPPLE	02
04	0501011460	7/8 NF REDUCTION NIPPLE	01
05	0503010190	2-114 N 3006-9B O'RING	03
06	0503030385	PLUG	03
07	0501053834	QUICK CONECTION (MALE) 1/2	04
07A	0503011627	QUICK CONNECTION (MALE) AGR 1/2 NPT	01
07B	0503011882	QUICK CONNECTION COVER	01
08	0571018717	ADAPTER	02
09	0571018716	ADAPTER	02



Item	Code	Description	QT
01	0521065789	LOWER JOYSTICK SUPPORT PCA	01
02	0571018376	CENTRAL BODY SUPPLEMENT OF JOYSTICK PCA	01
03	0571018375	SUPERIOR BODY SUPPLEMENT OF JOYSTICK	01
04	0503010849	3/8" X 1-1/2" BOLT	02
05	0501010984	FLAT WASHER	02
06	0503010025	3/8 SPRING WASHER	02
07	0503010026	3/8" NUT	02
08	0503010848	5/16" X 3.1/2" BOLT	04
09	0501010694	FLAT WASHER	06
10	0503010179	SPRING WASHER	06
11	0503010337	5/16" NUT	06
12	0503011053	5/16" X 3" C S 6.5 ZN BOLT	02
13	0541015551	0.39" X 0.512" X 1.9" SLEEVE	02



Item	Code	Description	QT
01	0511071163	76,20 X 740 CYLINDER CASE - PCA 600	01
01A	0521010514	38,1 X 52,9 X 50 SLEEVE INTER	01
02	0521066424	AIR TURNBUCKLE	01
02A	0521010514	38,1 X 52,9 X 50 SLEEVE INTER	01
03	0581010301	RING SUPPORT	01
04	0581010304	PISTON	01
05	0503018136	ZW 007600260 AGEL RING	01
06	0503010042	2-214 N 3006-9B O'RING	01
07	0503010063	1" SELF-ALIGNING NUT	01
08	0503010343	2-334 N 3006-9B O'RING	02
09	0503011059	8-334 BACK-UP RING	02
10	0503010761	D-1750 SCRAPER RING	01
11	0503017937	GASKET	01
12	0503017938	RING GUIDE	01
13	0502011899	MOBILE COVER	01
14	0503030385	PLUG	02
15	0503010002	1800 GREASE FITTING	02



Item	Code	Description	QT
01	0511066339	101,6 X 548 CYLINDER CASE - PCA 600	01
01A	0521010514	38,1 X 52,9 X 50 SLEEVE INTER	01
02	0521066430	44,45 X 630 EXTENDER - PCA 600	01
02A	0521010514	38,1 X 52,9 X 50 SLEEVE INTER	01
03	0503030385	PLUG	02
04	0503010002	1800 GREASE FITTING	02
05	0581010302	RING OF SUPPORT	01
06	0502012822	101,60 MOBILE COVER	01
07	0503018158	OE 101605200211D-BR RING BS	02
08	0503011061	8-342 BACK-UP RING	02
09	0503010338	2-342 N 3006-9B O'RING	02
10	0503017936	RING	01
11	0503017938	RING GUIDE	01
12	0503017937	GASKET	01
13	0503010761	D-1750 SCRAPER RING	01
14	0503010994	W2-4000-500 PK RING G.E	01
15	0581010303	PISTON 4 - PCA 600	01
16	0503018029	2-217 O'RING	01
17	0503010817	1-1/4" SELF-ADJUSTING NUT	01



MARCHESAN IMPLEMENTOS E MÁQUINAS AGRÍCOLAS TATU S.A.

AV. Marchesan, 1979 - Post office box, 131 - CEP 15994-900 - Matão - SP - Brazil

Phone +55 16.3382-8282

(FAX Parts) + 55 16.3382. 8297 - (Export) + 55 16.3382.1003

e.mail: tatu@marchesan.com.br www.marchesan.com.br

Technical Publications: Elaboration

JOÃO VIRGINIO ROCHA

Technical Publications: Revision

JOÃO VIRGINIO ROCHA

Contact Catálogo:

E-mail = jgaspari@marchesan.com.br

**ORIGINAL PARTS
TATU**

