

**PCA T / PCA PLUS - AGRICULTURAL FRONT LOADER**

# **PCA-T PLUS 1500 MF 4265/4291 BTCD JS AR S/AC**

**Code:** 0501091982  
**Series:** S-0115  
**Revision:** 00  
**Date Revision:** JANEIRO/2022

# **PARTS CATALOGUE**



**MARCHESAN**



# PRODUCTS

Code	Description
0106111573	PCA-T PLUS 1500 MF 4265A4291 BTCD JSAR

## ATTENTION: IMPORTANT

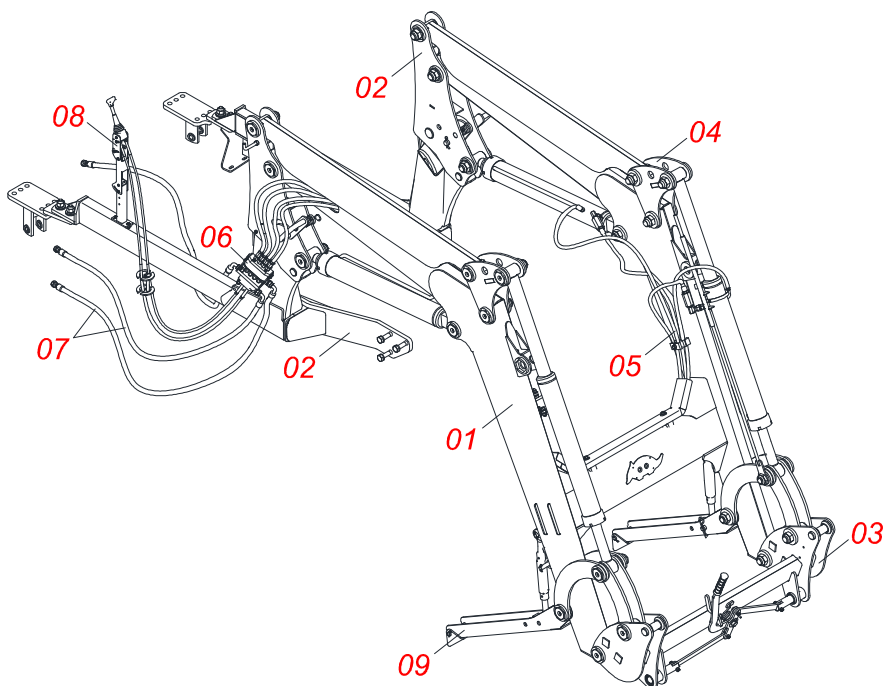
Marchesan S.A. reserves the right to improve and/or modify the technical features of its products, without obligation to do the same with those products already sold and without prior knowledge of the dealer or the consumer. The photos are only illustrative.



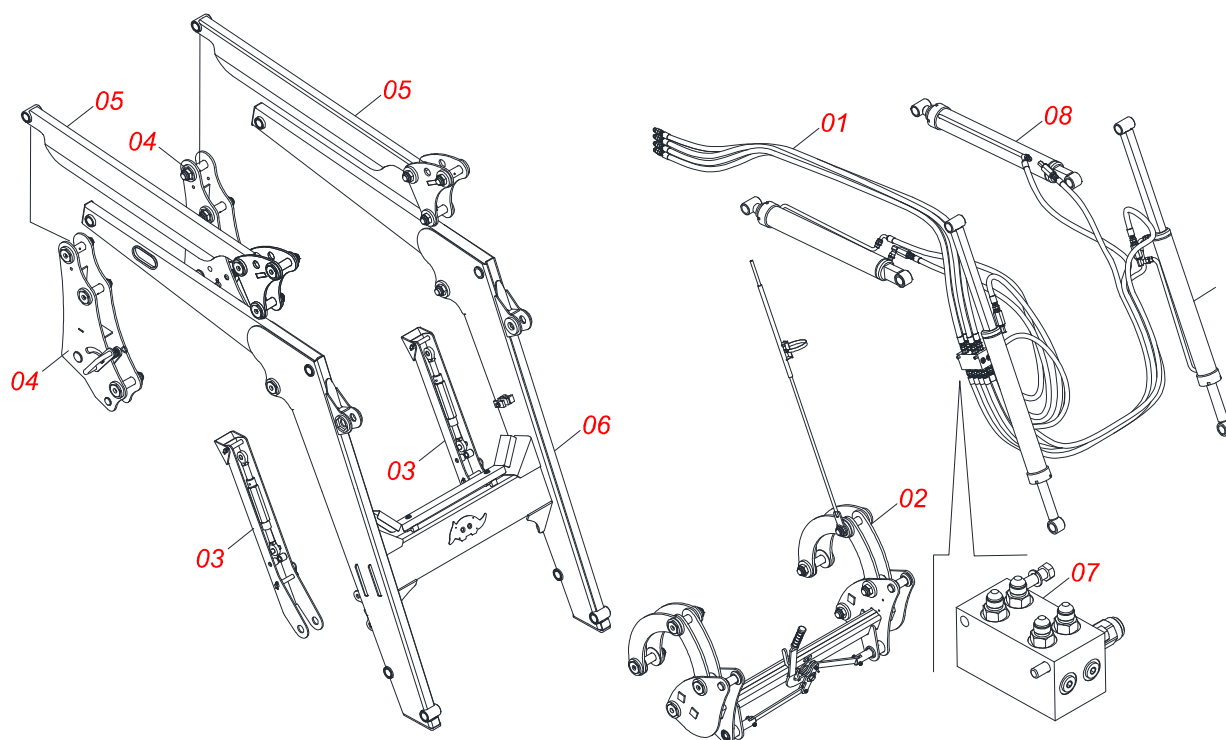
**MARCHESAN**

# INDEX

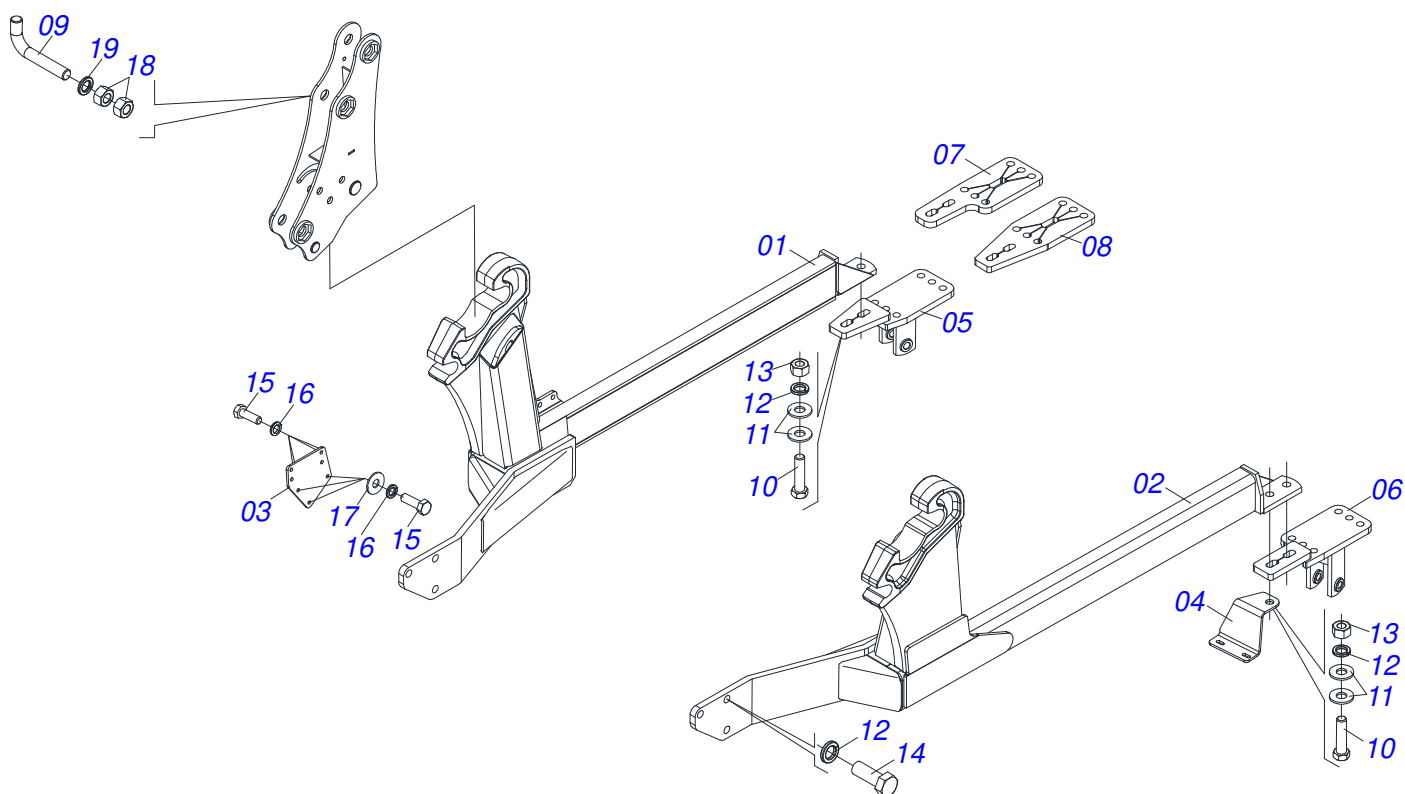
0106111573	PCA-T PLUS 1500 MF 4265A4291 BTCDC JSAR	.....	1
0521045360	FULL MOBILE SUPPORT	.....	2
0909092725	ASSY FRAME	.....	3
0909092474	ARTICULATOR ASSEMBLY	.....	4
0909092673	HYDRAULIC CIRCUIT MOBILE SUPPORT PCA-T PLUS 1500	.....	5
0909092674	ARTICULATING BRACKET ASSEMBLY	.....	6
0521045322	HYDRAULIC CYLINDER RIGHT	.....	7
0521045321	HYDRAULIC CYLINDER LEFT	.....	8
0511058222	HYDRAULIC CYLINDER RIGHT	.....	9
0511058221	HYDRAULIC CYLINDER LEFT	.....	10
0511057772	SECURITY VALVE ASSY	.....	11
0909092475	RESTING WITH NUT MOUNT HOLDER	.....	12
0511056982	HOSE SET MOBILE SUPPORT	.....	13
0521045393	SET SUPPORT JOY STICK	.....	14
0531041662	COMMAND 1/2 X CABLE 1,5M BTCDC AR	.....	15
0511056981	HOSE KIT	.....	16
0501053834	MALE QUICK COUPLER WITH CAP - 1/2 NPT	.....	17
0501053835	FEMALE QUICK COUPLER	.....	18



Item	Code	Description	See page	QT
01	0521045360	FULL MOBILE SUPPORT	2	01
02	0909092725	ASSY FRAME	3	01
03	0909092474	ARTICULATOR ASSEMBLY	4	01
04	0909092674	ARTICULATING BRACKET ASSEMBLY	6	01
05	0909092673	HYDRAULIC CIRCUIT MOBILE SUPPORT PLUS 1500	PCA-T 5	01
06	0531041662	COMMAND 1/2 X CABLE 1,5M BTCDC AR	15	01
07	0511056981	HOSE KIT	16	01
08	0521045393	SET SUPPORT JOY STICK	14	01
09	0909092475	RESTING WITH NUT MOUNT HOLDER	12	02

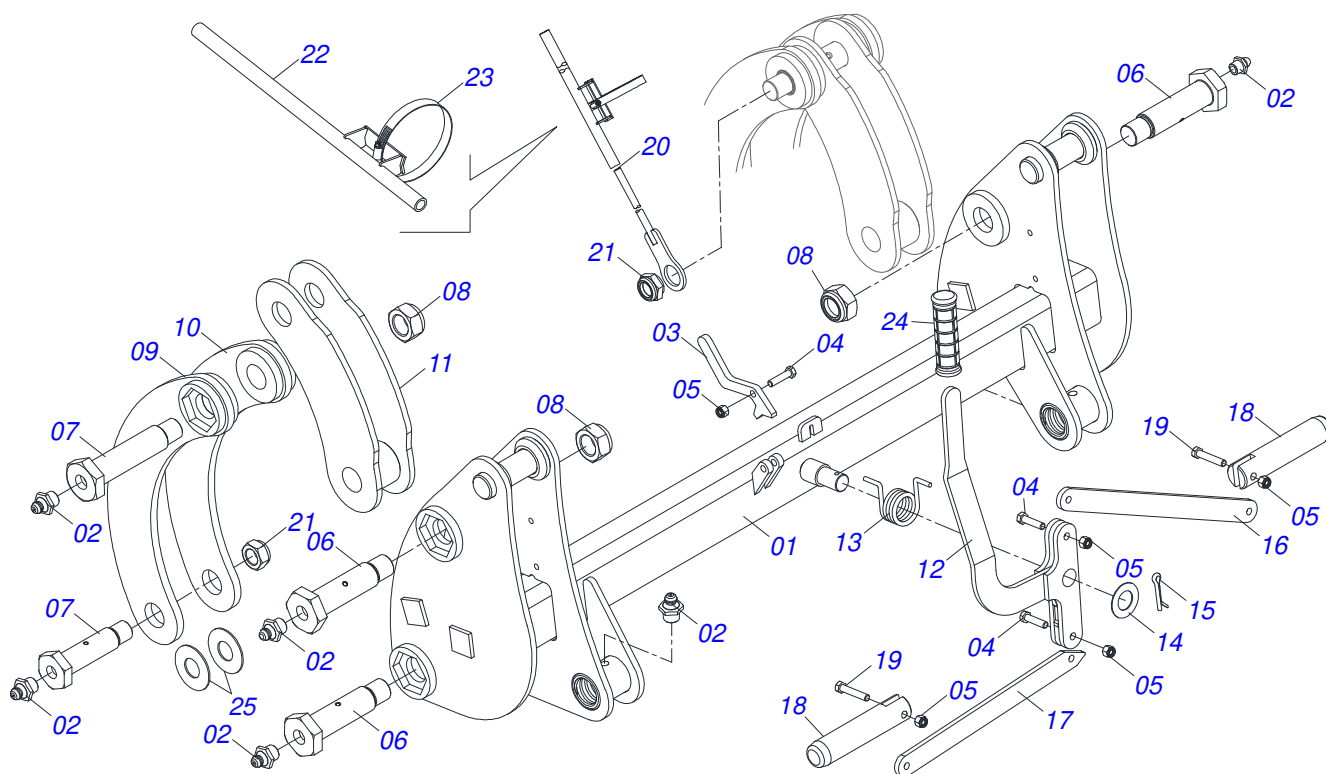


Item	Code	Description	See page	QT
01	0511056982	HOSE SET MOBILE SUPPORT	13	01
02	0909093615	ARTICULATOR SET		01
03	0909092475	RESTING WITH NUT MOUNT HOLDER	12	02
04	0909092675	TOWER - MOBILE SUPPORT		02
05	0909093612	ARTICULATOR SUPPORT ASSEMBLY		02
06	0909093600	MOBILE SUPPORT PCA-T 1500 VTR COMPLETE		01
07	0909093601	BLOCK COMMAND HFB0150331		01
08	0909093602	HYDRAULIC CYLINDER ASSEMBLY - PCA PLUS 1500 VTR		01

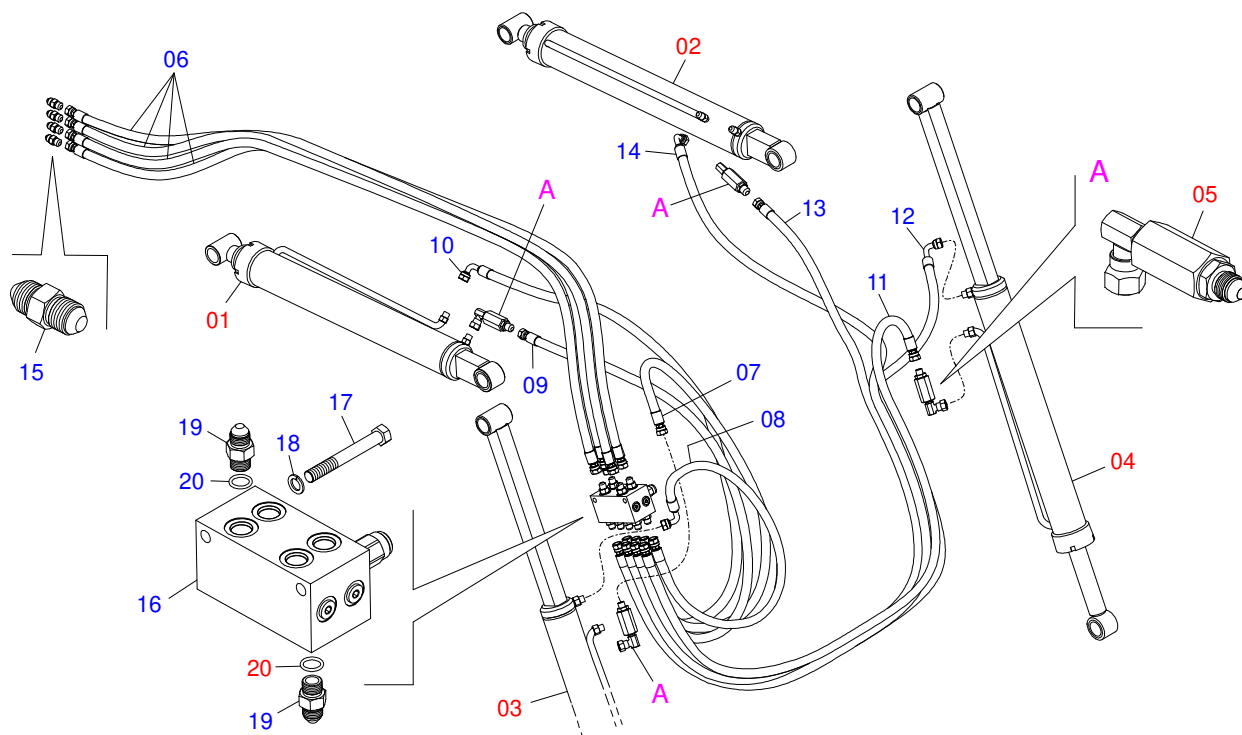


Item	Code	Description	See page	QT
01	0521065761	LEFT FRAME		01
02	0521065759	RIGHT FRAME		01
03	0571019586	FIXER PLATE		01
04	0561016418	SUPPORT TANK OIL		01
05	0521061641	FRAME BRACKET		01
06	0521063770	LEFT BRACKET		01
07	0561016408	FRAME BRACKET		01
08	0571013046	BRACKET		01
09	0581010285	CONTROL LOCKING HOOK		01
10	0501010500	3/4"X3"BOLT		04
11	0501010322	FLAT WASHER		08
12	0503010023	3/4" SPRING WASHER		10
13	0503010014	3/4" NUT		04
14	0501010098	3/4" UNC BOLT		06
15	0503010371	5/16" X 1" BOLT		07
16	0503010179	5/16" ZN SPRING WASHER		04
17	0521011039	FLAT WASHER		03
18	0503010060	1/2" NUT		02
19	0503010019	1/2" SPRING WASHER		01

ARTICULATOR ASSEMBLY

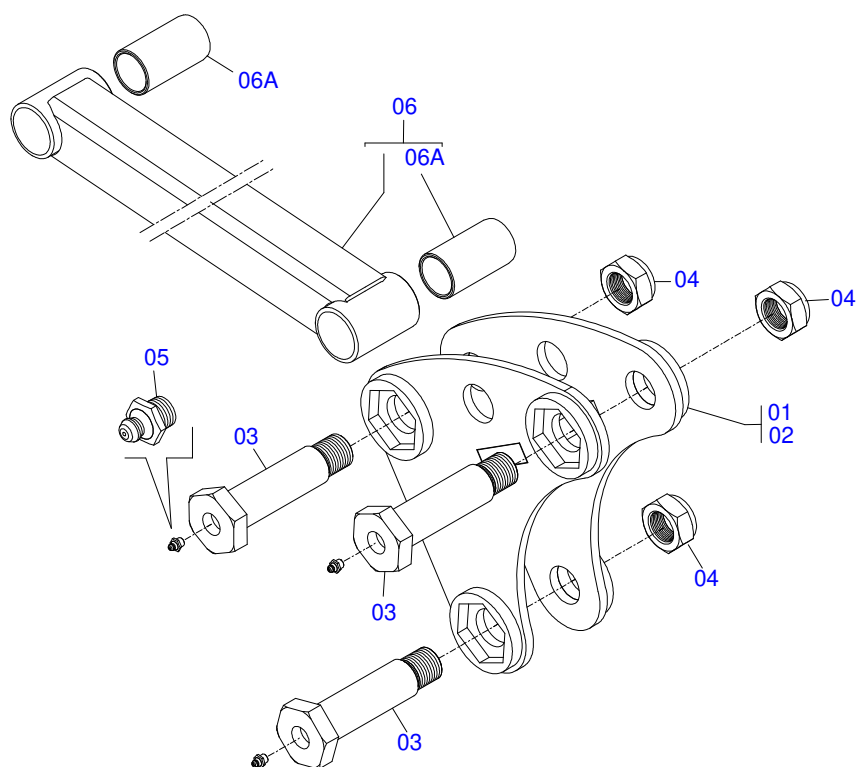


Item	Code	Description	See page	QT
01	0521065697	ARTICULATOR	01	
02	0503010002	1800 GREASE FITTING	10	
03	0571018934	PENDULUM LOCKS	01	
04	0503010849	3/8" X 1-1/2" BOLT	03	
05	0503013357	3/8" SELF-ADJUSTING NUT	05	
06	0571018264	1.1/4" UNF X 149 ZN BOLT	04	
07	0571018245	1.1/4" UNF X 139 BOLT	04	
08	0503010044	1-1/4" SELF LOCKING NUT	07	
09	0521067473	EXTERNAL ARM OF THE ARTICULATOR	02	
10	0521067474	INTERNAL ARM OF THE ARTICULATOR	02	
11	0521067478	LOWER ARTICULATOR	02	
12	0521065888	LEVER	01	
13	0503034192	TORSION SPRING	01	
14	0561811883	28,5 X 51,5 X 1,50 SA FLAT WASHER	01	
15	0503010523	1/4" X 2" COTTERPIN	01	
16	0571018935	SPRING SUPPORT ARM	01	
17	0571018125	RIGHT ARM OF THE UNLOCK	01	
18	0571018129	PIN LOCK ACCESSORY	02	
19	0503011236	3/8" X 2" BOLT	02	
20	0521068692	LEVEL ROD	01	
21	0571018205	1.1/4"XUNF NUT WITH RECESS	01	
22	0521067968	ROD GUIDE	01	
23	0503011372	102 TO 121 CLAMP	01	
24	0503037382	Ø25 X 120 PVC HANDLE	01	
25	0551014871	FLAT WASHER	04	

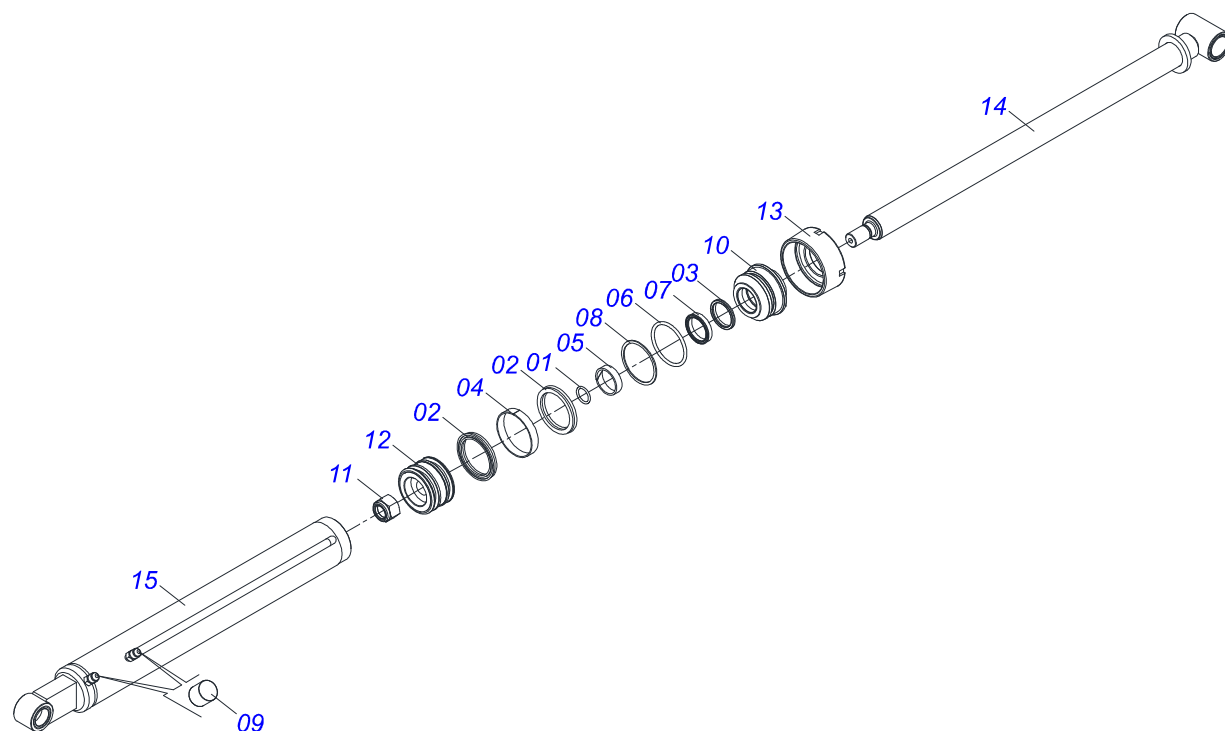


Item	Code	Description	See page	QT
01	0521045322	HYDRAULIC CYLINDER RIGHT	7	01
02	0521045321	HYDRAULIC CYLINDER LEFT	8	01
03	0511058222	HYDRAULIC CYLINDER RIGHT	9	01
04	0511058221	HYDRAULIC CYLINDER LEFT	10	01
05	0511057772	SECURITY VALVE ASSY	11	04
06	0501080452	3/8" X 98" TR-TR HOSE		04
07	0501080027	3/8" X 39,3" TR-TR HOSE ASSY		01
08	0501080375	3/8 X 23.6" TR-TC HOSE ASSY		01
09	0501080127	HOSE		01
10	0501080348	3/8 X 1200 TR-TC HOSE ASSY		01
11	0501080320	3/8" X 82,6" TR-TR HOSE		01
12	0501080419	3/8 X 82.6" TR-TC HOSE ASSY		01
13	0501080483	3/8" X 86,6" TR-TR HOSE		01
14	0501080451	3/8" X 94.5" TR-TC HOSE ASSY		01
15	0571018714	3/4"X3/4"UNF NIPPLE UNION (SEXT 7/8"X50)		04
16	0503062416	BLOCK COMMAND		01
17	0503010851	7/16" X 3.1/2" BOLT		02
18	0503010180	7/16" SPRING WASHER		02
19	0501010617	3/4" NIPPLE		12
20	0503010190	2-114 N 3006-9B O'RING		12



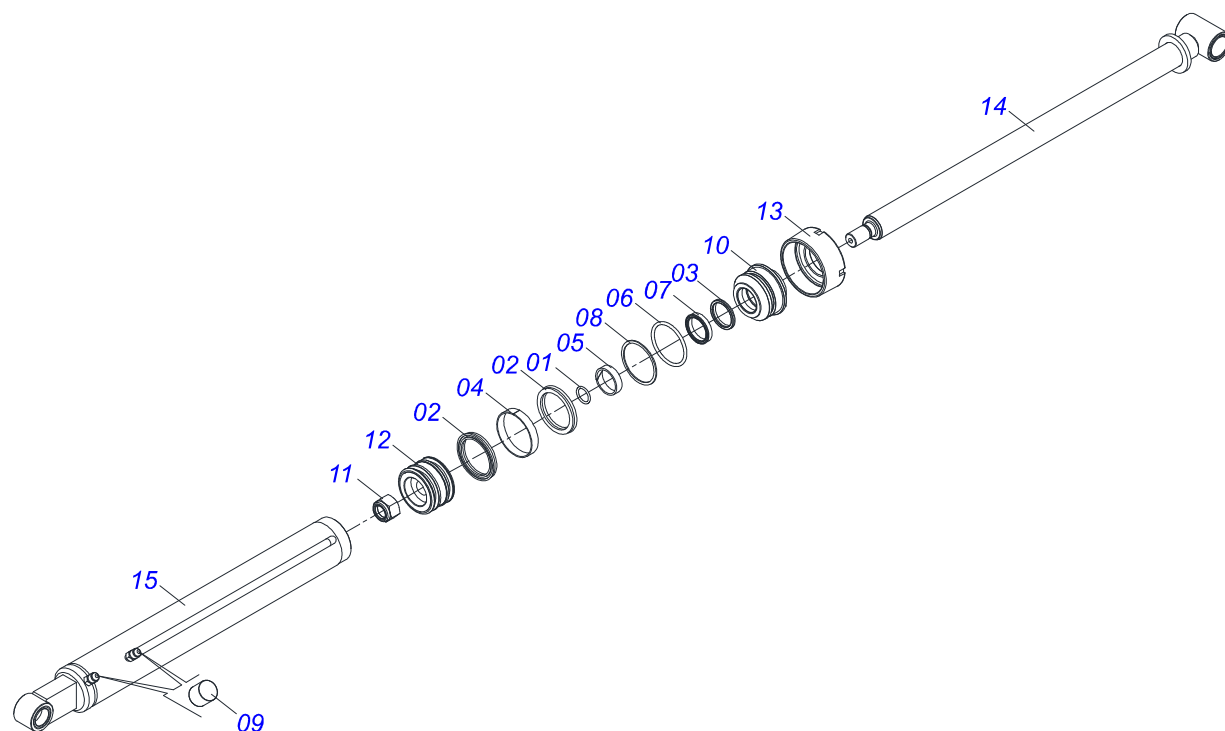


Item	Code	Description	See page	QT
01	0521065745	RIGHT JOINT		01
02	0521065751	LEFT JOINT		01
03	0571018264	1.1/4" UNF X 149 ZN BOLT		06
04	0503010044	1-1/4" SELF LOCKING NUT		06
05	0503010002	1800 GREASE FITTING		06
06	0521067538	COPIER ARM		02
06A	0571018080	BUSHING Ø37,70 X Ø45,15 X 80 PCA-T 1500		04

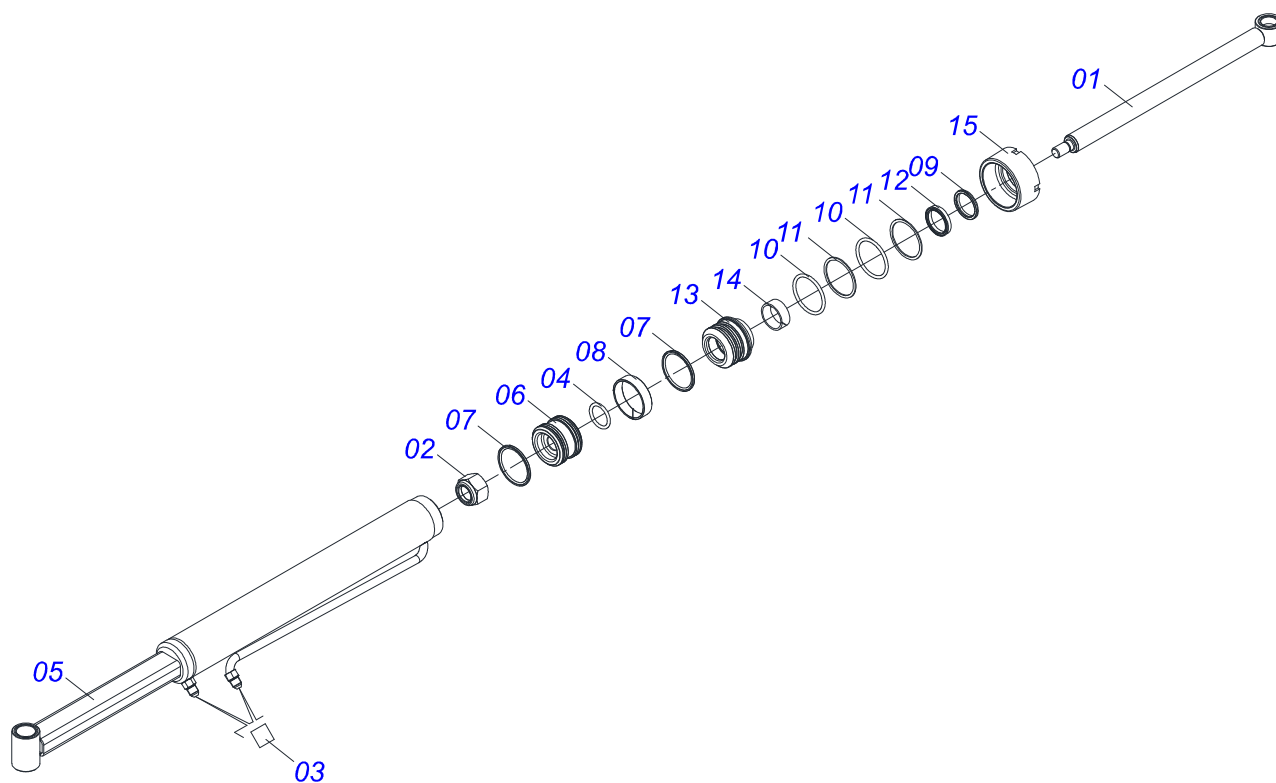


Item	Code	Description	See page	QT
01	0503010042	2-214 N 3006-9B O'RING		01
02	0503010170	PACKING 3120 2750		02
03	0503010761	D-1750 SCRAPER RING		01
04	0503010948	W4-3346-590 PK RING G.E		01
05	0503010949	W2-2000-500 PK RING G.E		01
06	0503010976	2-336 N 3006-9B O'RING		01
07	0503010990	GASKET		01
08	0503011060	8-336 BACK-UP RING		01
09	0503030385	CYLINDER PLUG N-002		02
10	0502010781	RING SUPPORT		01
11	0503010063	1" SELF-ALIGNING NUT		01
12	0502010843	1.8" X 3.4" PISTON		01
13	0502010993	DETACHABLE COVER		01
14	0521065701	44,45 X 820 EXTENDER PCA-T 1500		01
15	0521065700	85,72/85,80 X 725 CYLINDER CASE WITH RIGHT CONECT		01

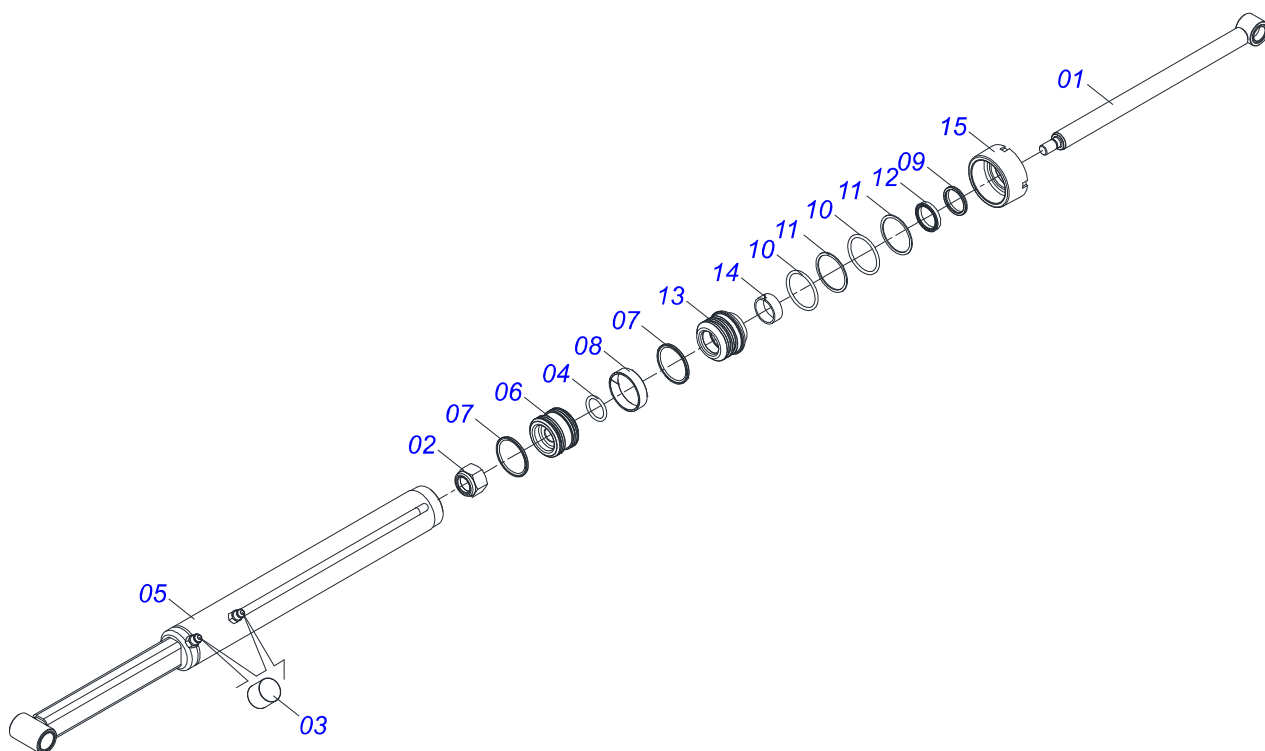
HYDRAULIC CYLINDER LEFT



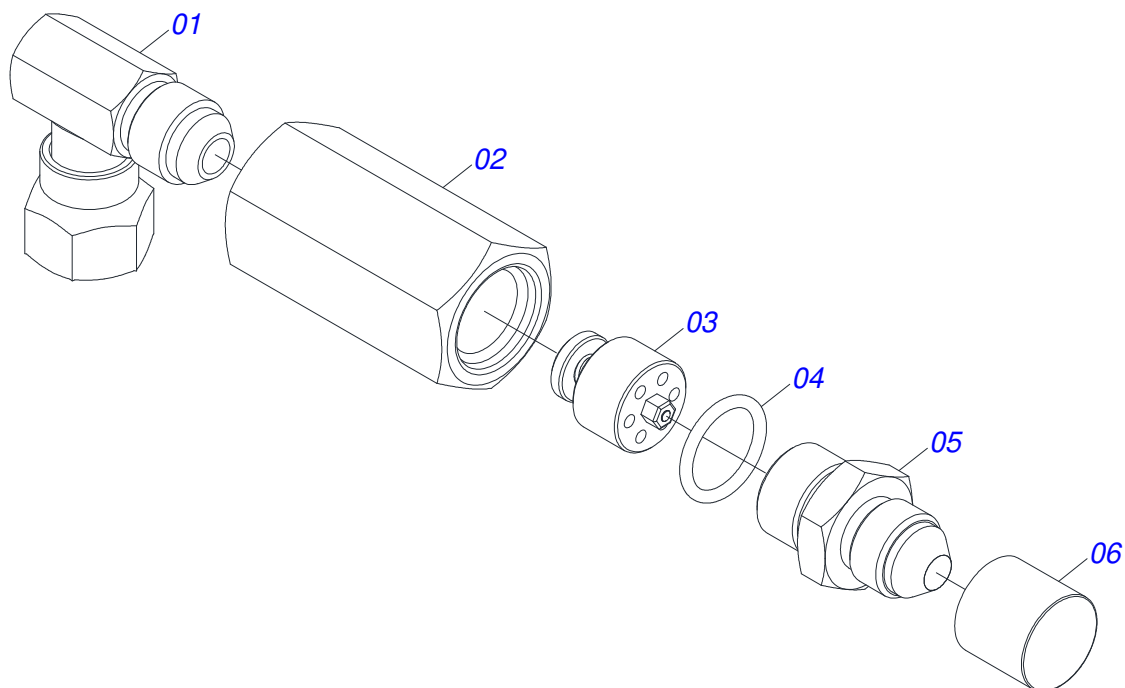
Item	Code	Description	See page	QT
01	0503010042	2-214 N 3006-9B O'RING		01
02	0503010170	PACKING 3120 2750		02
03	0503010761	D-1750 SCRAPER RING		01
04	0503010948	W4-3346-590 PK RING G.E		01
05	0503010949	W2-2000-500 PK RING G.E		01
06	0503010976	2-336 N 3006-9B O'RING		01
07	0503010990	GASKET		01
08	0503011060	8-336 BACK-UP RING		01
09	0503030385	CYLINDER PLUG N-002		02
10	0502010781	RING SUPPORT		01
11	0503010063	1" SELF-ALIGNING NUT		01
12	0502010843	1.8" X 3.4" PISTON		01
13	0502010993	DETACHABLE COVER		01
14	0521065701	44,45 X 820 EXTENDER PCA-T 1500		01
15	0521065699	85,72/85,80 X 725 CYLINDER CASE WITH LEFT CONECT		01



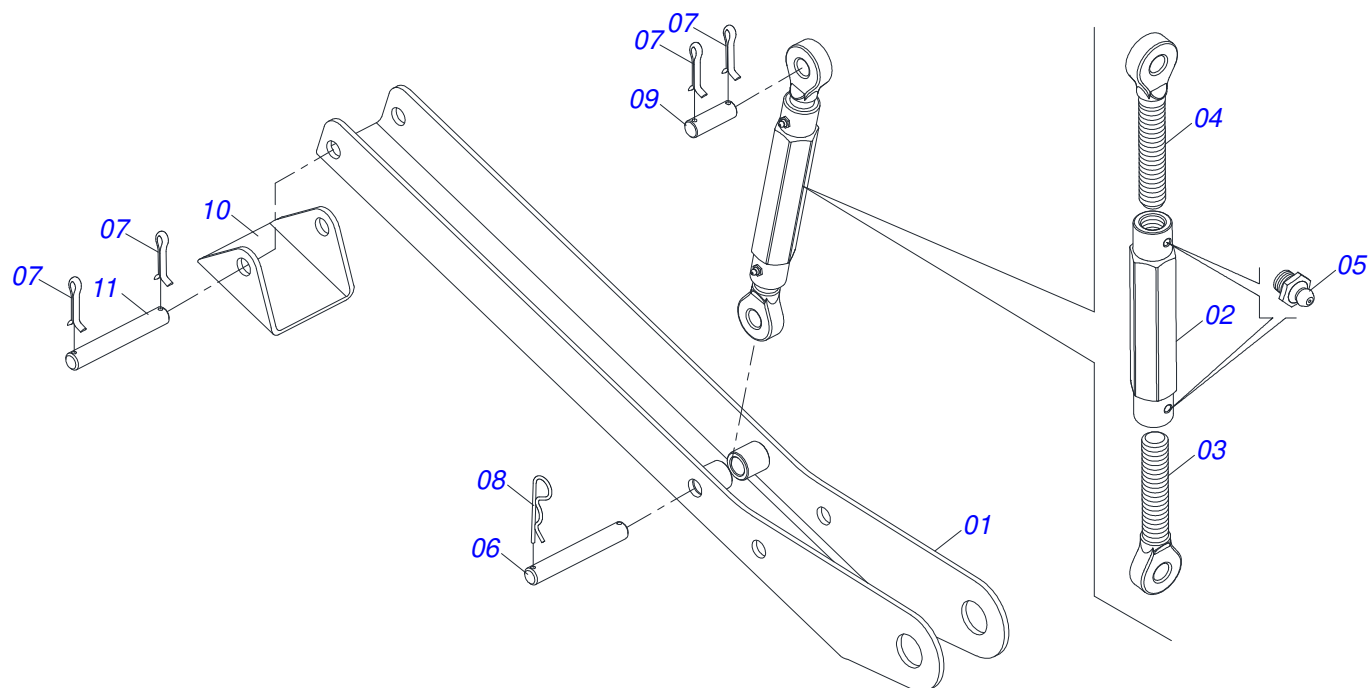
Item	Code	Description	See page	QT
01	0521065738	44,45 X 836 WELDED ROD PCA-T 1500 PLUS		01
02	0503010063	1" SELF-ALIGNING NUT		01
03	0503030385	CYLINDER PLUG N-002		02
04	0503010042	2-214 N 3006-9B O'RING		01
05	0521065704	RIGHT CYLINDER CASE WITH EXTENDER		01
06	0581010304	PISTON		01
07	0503018138	RING BS		02
08	0503018140	RING GUIDE		01
09	0503010761	D-1750 SCRAPER RING		01
10	0503010343	2-334 N 3006-9B O'RING		02
11	0503011059	8-334 BACK-UP RING		02
12	0503017937	GASKET		01
13	0581010301	RING SUPPORT		01
14	0503017938	RING GUIDE		01
15	0502011899	MOBILE COVER		01



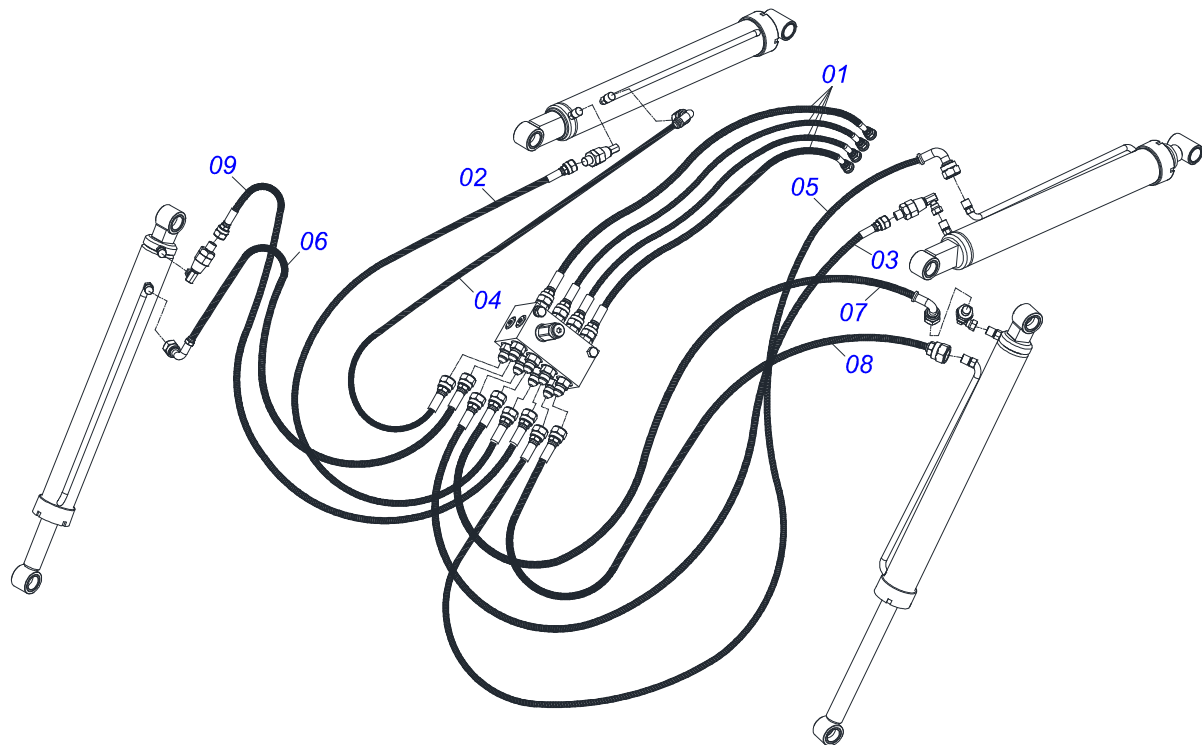
Item	Code	Description	See page	QT
01	0521065738	44,45 X 836 WELDED ROD PCA-T 1500 PLUS		01
02	0503010063	1" SELF-ALIGNING NUT		01
03	0503030385	CYLINDER PLUG N-002		02
04	0503010042	2-214 N 3006-9B O'RING		01
05	0521065737	LEFT CYLINDER CASE WITH EXTENDER		01
06	0581010304	PISTON		01
07	0503018138	RING BS		02
08	0503018140	RING GUIDE		01
09	0503010761	D-1750 SCRAPER RING		01
10	0503010343	2-334 N 3006-9B O'RING		02
11	0503011059	8-334 BACK-UP RING		02
12	0503017937	GASKET		01
13	0581010301	RING SUPPORT		01
14	0503017938	RING GUIDE		01
15	0502011899	MOBILE COVER		01



Item	Code	Description	See page	QT
01	0503018034	MALE KNEE JIC		01
02	0581014055	ADAPTER		01
03	0503016854	VALVE ASSY		01
04	0503010045	O'RING		01
05	0581014054	BSP 1/2" NIPPLE		01
06	0503030385	CYLINDER PLUG N-002		01

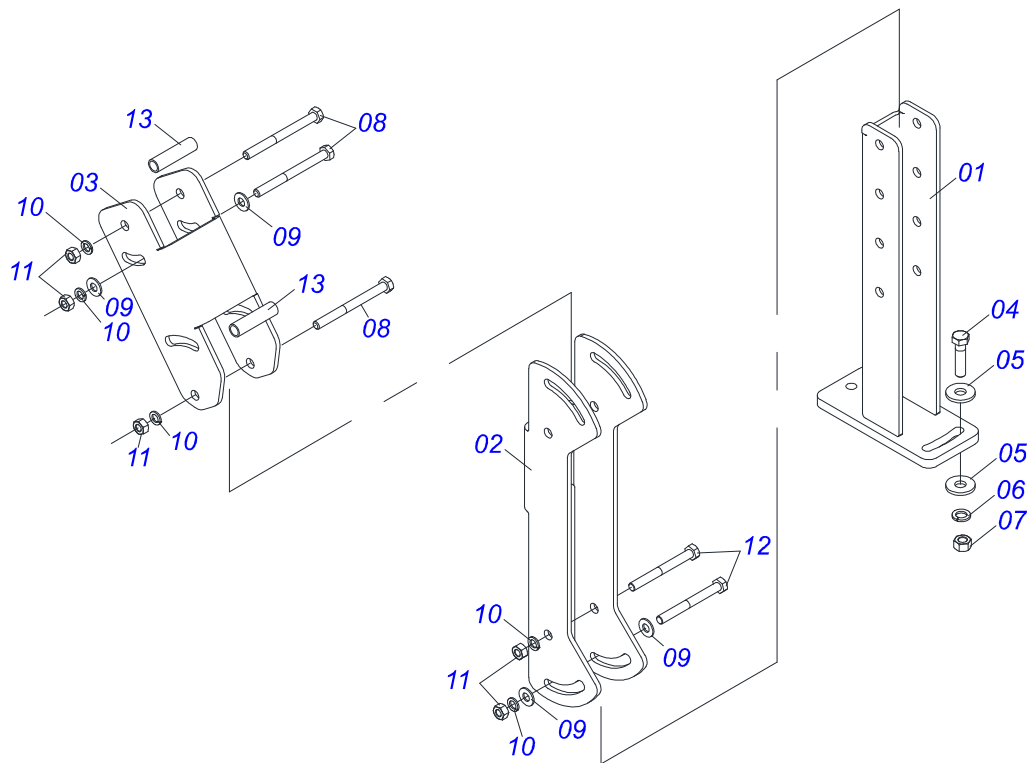


Item	Code	Description	See page	QT
01	0521065756	PLOUGH SUPPORT BODY		02
02	0502012530	REGULATOR NUT BODY R1		02
03	0502012562	LEFT SPINDLE R1 X 160		02
04	0502012529	RIGHT SPINDLE R1 X 160		02
05	0503010002	1800 GREASE FITTING		04
06	0511013598	3/4" X 4.7" COUPLING SHAFT		02
07	0503010071	3/16" X 1" COTTERPIN		06
08	0503030012	HAIR PIN		02
09	0561015578	3/4 X 56 PCA VTR A750 COUPLING SHAFT		02
10	0571018252	REST BASE		02
11	0521012777	COUPLING SHAFT		02

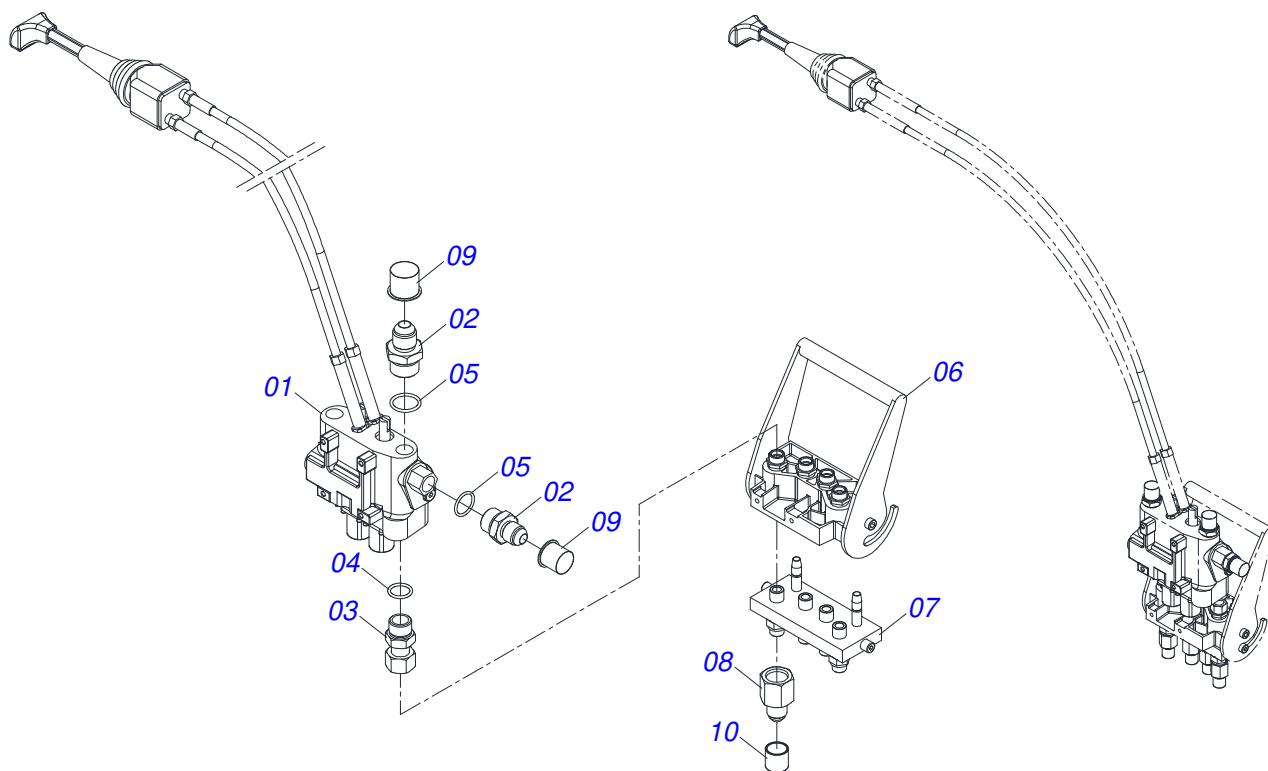


Item	Code	Description	See page	QT
01	0501080452	3/8" X 98" TR-TR HOSE		04
02	0501080439	3/8" X 43" TR-TR HOSE ASSY		01
03	0501080483	3/8" X 86,6" TR-TR HOSE		01
04	0501080348	3/8 X 1200 TR-TC HOSE ASSY		01
05	0501080412	3/8" X 90.55" TR-TC HOSE		01
06	0501080375	3/8 X 23.6" TR-TC HOSE ASSY		01
07	0501080419	3/8 X 82.6" TR-TC HOSE ASSY		01
08	0501080320	3/8" X 82,6" TR-TR HOSE		01
09	0501080027	3/8" X 39,3" TR-TR HOSE ASSY		01



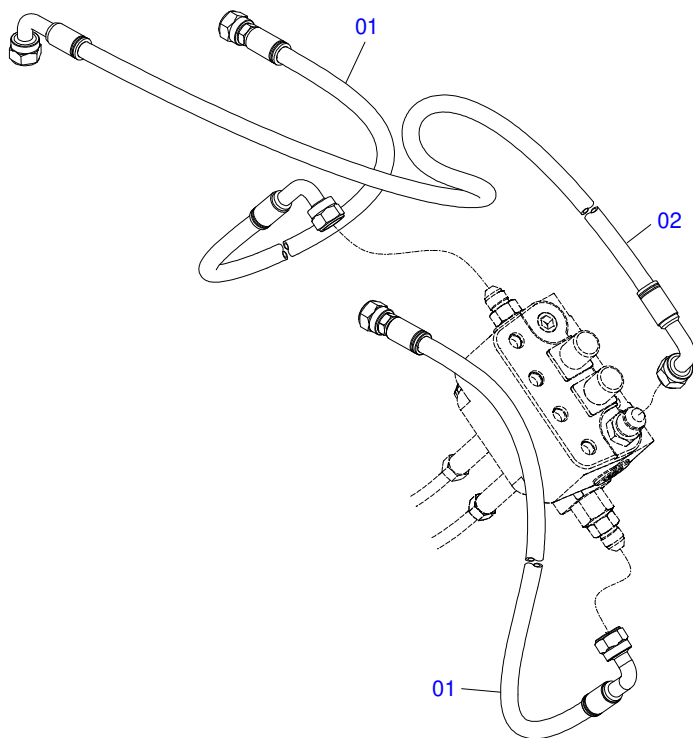


Item	Code	Description	See page	QT
01	0521065789	LOWER JOYSTICK SUPPORT		01
02	0571018376	CENTRAL BODY SUPPLEMENT OF JOYSTICK		01
03	0571018375	SUPERIOR BODY SUPPLEMENT OF JOYSTICK		01
04	0503010849	3/8" X 1-1/2" BOLT		02
05	0501010984	FLAT WASHER		02
06	0503010025	3/8" SPRING WASHER		02
07	0503010026	3/8" NUT		02
08	0503010848	5/16" X 3.1/2" BOLT		04
09	0501010694	8.5 X 18 X 1.5 FLAT WASHER		06
10	0503010179	5/16" ZN SPRING WASHER		06
11	0503010337	5/16" NUT		06
12	0503011053	5/16" X 3" C S 6.5 ZN BOLT		02
13	0541015551	0.39" X 0.512" X 1.9" SLEEVE		02

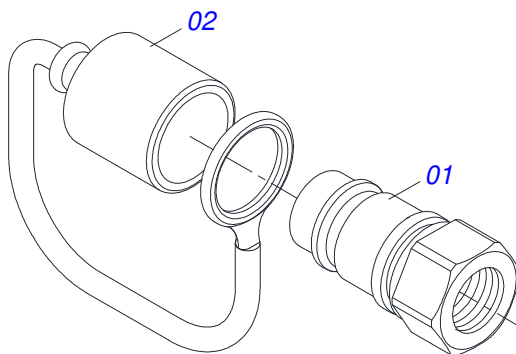


Item	Code	Description	See page	QT
01	0503062415	COMPLETE JOYSTICK CONTROL SDM122/2	01	01
02	0511018014	7/8"NF X 1.1/16 UN NIPPLE	03	03
03	0501211242	NIPLE R.3/4 UNF 16FPP X M22 INTER	04	04
04	0503010045	O'RING	04	04
05	0503011109	2-119 N 3006-9B O'RING	03	03
06	0503062625	MANIFOLD	01	01
07	0503062626	MANIFOLD	01	01
08	0521067687	MULTI CONNECTOR ADAPTER	04	04
09	0503030387	PLUG	03	03
10	0503030385	CYLINDER PLUG N-002	04	04

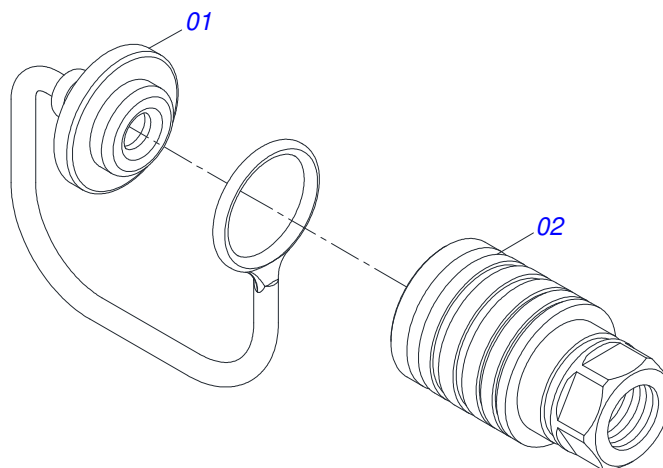
HOSE KIT



Item	Code	Description	See page	QT
01	0501080302	TR-TC HOSE ASSY		02
02	0501080283	HOSE 1/2 X 2600 TC-TC		01



Item	Code	Description	See page	QT
01	0503011627	MALE QUICK COUPLER AGR 1/2 NPT		01
02	0503011882	MALE QUICK COUPLER CAP		01



Item	Code	Description	See page	QT
01	0503011883	QUICK CONNECTION COVER		01
02	0503011628	FEMALE QUICK COUPLER		01





**MARCHESAN**

**Technical Publications | Elaboration and Revision**

LUIZ CANDIDO

[www.marchesan.com.br](http://www.marchesan.com.br)

