

OFFSET DISK HARROW

GCRO 7010 (AXLE 2.1/8") ARTICULATED MECHANICAL 60 DISCS

Code: 0501091976

Series: S-0915

Revision: 00

Date Revision: MAIO/2022

PARTS CATALOGUE



MARCHESAN



PRODUCTS

Code	Description
0102560224	GCRO 7010 60X26X7,0 DM MEC ESPECIAL S-0915

ATTENTION: IMPORTANT

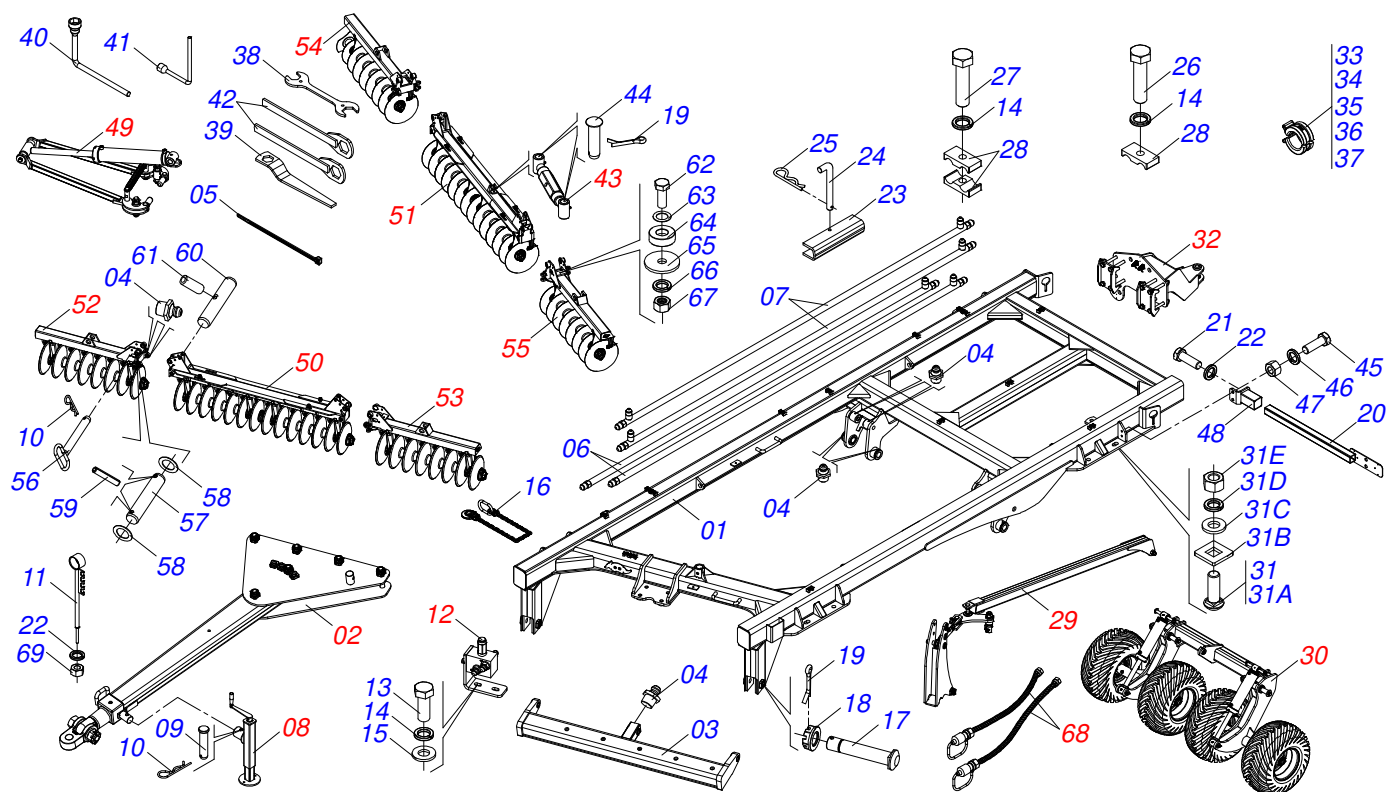
Marchesan S.A. reserves the right to improve and/or modify the technical features of its products, without obligation to do the same with those products already sold and without prior knowledge of the dealer or the consumer. The photos are only illustrative.



INDEX

0909092878	ASSY FRAME	1
0511048088	DRAWBAR JACK	2
0511059196	VALVE ASSY	3
0909092879	HEAD ARTICULATED ASSY	4
0511059199	STABILIZER BAR REGULATOR EXTENSOR	5
0909093452	WHEEL ASSY	6
0501056467	STUB SHAFT & HUB ASSY	7
0503060102	WHEEL AND TIRE	8
0909092741	REAR COUPLING KIT	9
0501053835	FEMALE QUICK COUPLER	10
0501052005	STABILIZER FOR GANG	11
0909092839	ARTICULATOR ASSY	12
0501057274	LH REAR DRIVER ARM	13
0501057273	PIVOT ARM ASSY	14
0511057940	HYDRAULIC CILINDER	15
0909093453	FRONT CENTER DISC SECTION	16
0909093454	REAR CENTRAL DISC SECTION	17
0909093455	FRONT SIDE FRONT DISC SECTION	18
0909093456	LEFT SIDE FRONT DISC SECTION	19
0909093457	RIGHT SIDE REAR DISC SECTION	20
0909093458	LEFT SIDE REAR DISC SECTION	21
0511046492	OIL BATH BEARING	22
0909093459	HYDRAULIC CIRCUIT OF THE WHEELS	23
0909093460	HYDRAULIC CIRCUIT FRAME ARTICULATE	24

ASSY FRAME



Item	Code	Description	See page	QT
01	0521066477	FRAME		01
02	0511041592	DRAWBAR ASSY		01
03	0521066449	HITCH BAR		01
04	0503010002	1800 GREASE FITTING		27
05	0503013100	NYLON CLAMP		12
06	0521066937	DUCT DISTRIBUTOR OF OIL		02
07	0521066126	DISTRIBUTOR OIL TUBE		02
08	0511048088	DRAWBAR JACK	2	01
09	0561014251	COUPLING SHAFT		01
10	0503030012	HITCH PIN CLIP		05
11	0521062849	HOSE HOLDER ASSY		01
12	0511059196	VALVE ASSY	3	01
13	0503011173	7/16" X 2" BOLT		02
14	0503010180	7/16" SPRING WASHER		16
15	0501012803	FLAT WASHER		02
16	0503013150	1300 X 3/8 CHAIN		01
17	0531018100	37,50 X 200 COUPLING SHAFT		02
18	0501011301	1.1/2 UNC 6FPP 2.5/16 NUT		02
19	0503010010	1/4" X 2.1/2" COTTERPIN		04
20	0521066443	SUPPORT FIXER LANTERN		02
21	0501010098	3/4" UNC BOLT		01
22	0503010023	3/4" SPRING WASHER		02
23	0561016693	TRANSPORT LOCK		02
24	0541016844	FIXER LOCK		02
25	0503030285	HITCH PIN CLIP		02
26	0503011135	BOLT		09
27	0503011103	7/16" X 2-1/2" BOLT		02
28	0502010477	HOSE CLAMP		18
29	0909092879	HEAD ARTICULATED ASSY	4	01
30	0909093452	WHEEL ASSY	6	01
31	0501041102	1-1/4" X 3-3/4" ASSY BOLT		08

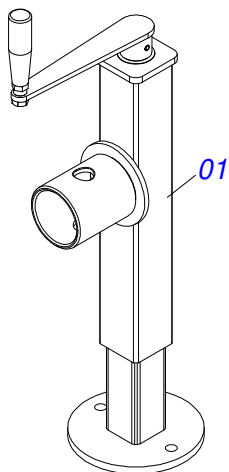


ASSY FRAME

0909092878

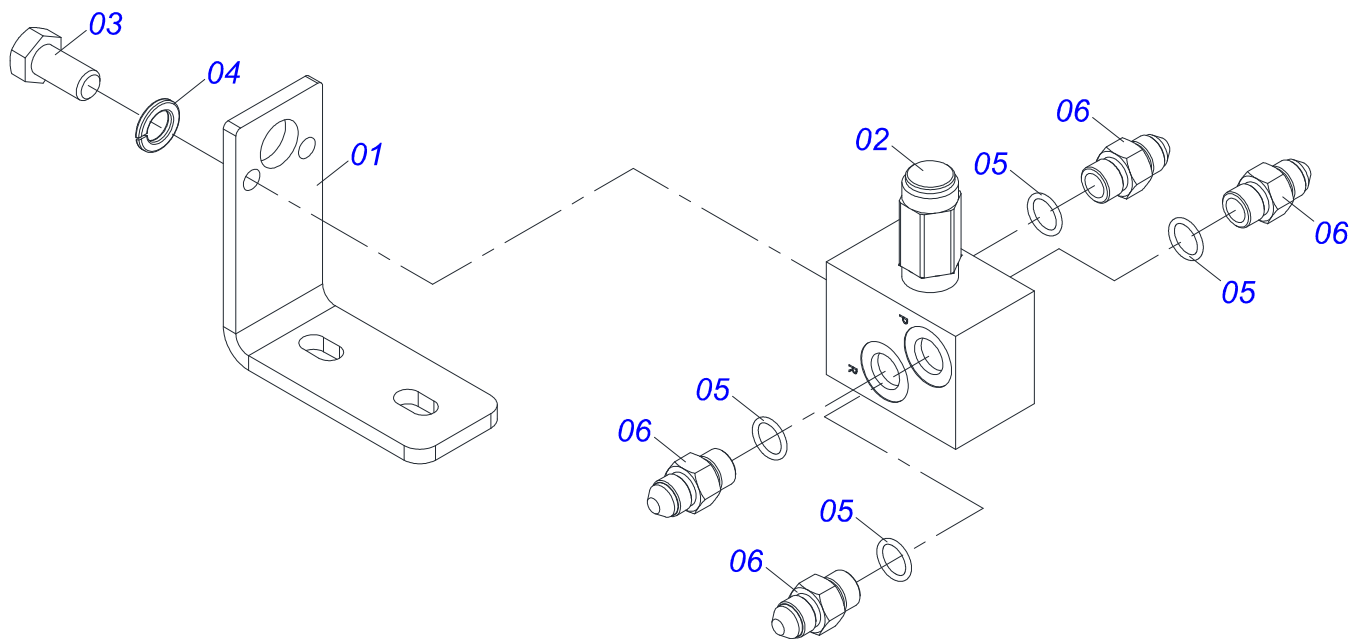
Item	Code	Description	See page	QT
31A	0501015348	1-1/4" X 3-3/4" BOLT		01
31B	0501010953	1-1/4" SQUARE WASHER		01
31C	0531010713	FLAT WASHER		01
31D	0503010070	SPRING WASHER		01
31E	0501010087	1.1/4" NUT		01
32	0909092741	REAR COUPLING KIT	9	01
33	0501047895	ROD STOP		04
34	0501047885	ROD STOP		02
35	0501047886	ROD STOP		02
36	0501047887	ROD STOP		02
37	0501047888	ROD STOP		02
38	0541015451	FIXED KEY 2.3/8 X 2.3/4		01
39	0501011432	1-1/2" AND 1-5/8 GANG BOLT WRENCH		01
40	0503015723	WRENCH WRENCH CYLINDRICAL 7/8		01
41	0503016137	1-1/4" WRENCH CABLE CYLINDER		01
42	0501061044	2-1/8" AND 2-1/2" CABLE FLAT WRENCH		02
43	0501052005	STABILIZER FOR GANG	11	01
44	0521010546	1.2" X 5.7" COUPLING SHAFT		02
45	0503011082	C1/2" X 1.3/4" SCREW		04
46	0503010019	1/2" SPRING WASHER		04
47	0503010060	1/2" NUT		04
48	0521066624	FIXER SUPPORT LANTERN		02
49	0909092839	ARTICULATOR ASSY	12	04
50	0909093453	FRONT CENTER DISC SECTION	16	01
51	0909093454	REAR CENTRAL DISC SECTION	17	01
52	0909093455	FRONT SIDE FRONT DISC SECTION	18	01
53	0909093456	LEFT SIDE FRONT DISC SECTION	19	01
54	0909093457	RIGHT SIDE REAR DISC SECTION	20	01
55	0909093458	LEFT SIDE REAR DISC SECTION	21	01
56	0501069463	1" X 8" LOCK PIN		04
57	0521011720	2.0" X 15.7" COUPLING SHAFT		04
58	0511019776	FLAT WASHER		08
59	0503011069	0.4" X 2.8" SPRING PIN		08
60	0541016676	1.1/2 X 175 AXLE		04
61	0503013662	1/2" X 1" BOLT		04
62	0503010233	5/8" X 2-1/2" BOLT		04
63	0571010265	16.5 X 40 X 3 FLAT WASHER		04
64	0581011153	FRAME BEAT		04
65	0571013284	17.5 X 90 X 4.75 FLAT WASHER		04
66	0503010027	5/8" SPRING WASHER		04
67	0503010013	5/8" NUT		04
68	0909093459	HYDRAULIC CIRCUIT OF THE WHEELS	23	01
68.	0909093460	HYDRAULIC CIRCUIT FRAME ARTICULATE	24	01
69	0503010014	3/4" NUT		01

DRAWBAR JACK



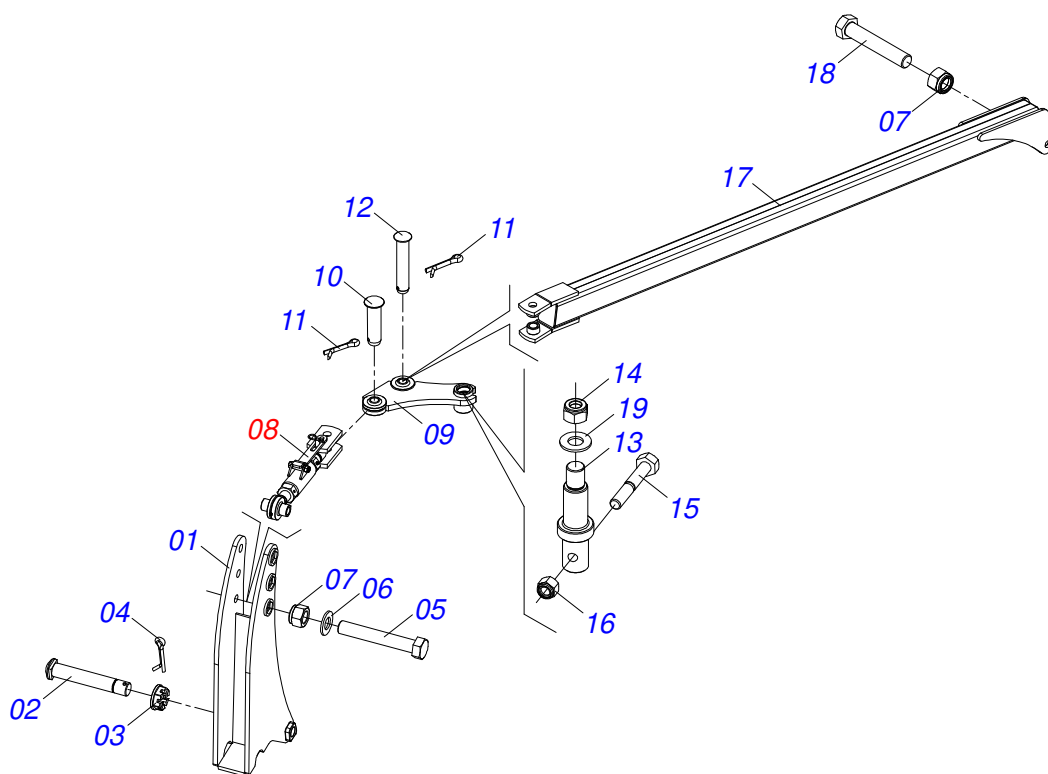
Item	Code	Description	See page	QT
01	0503062227	DRAWBAR JACK		01

VALVE ASSY

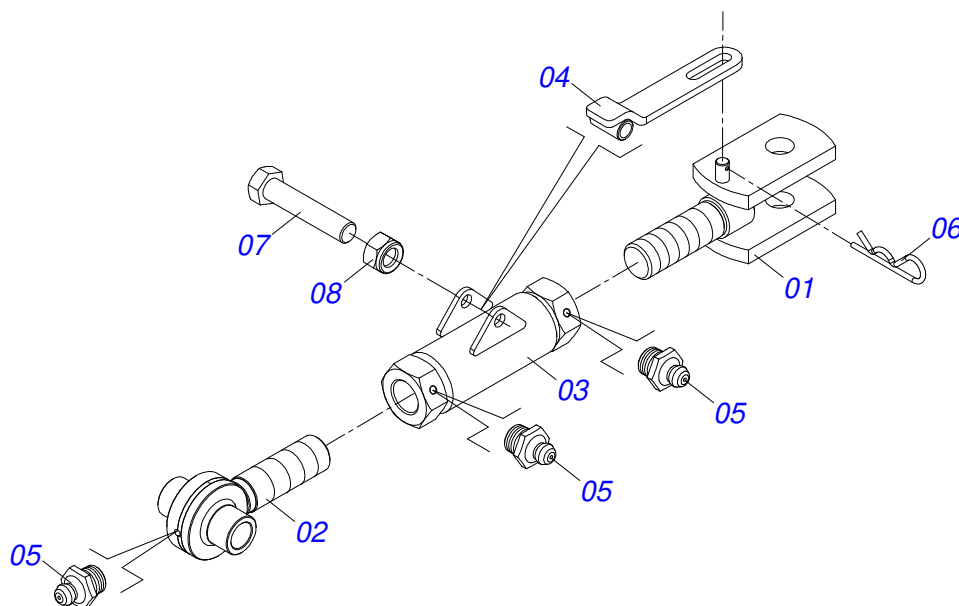


Item	Code	Description	See page	QT
01	0581011745	VALVE SUPPORT		01
02	0503010919	DISCHARGE VALVE		01
03	0503011334	BOLT 3/8 UNC X 3/4 CS G.5 ZN		02
04	0503010025	3/8" SPRING WASHER		02
05	0503010190	2-114 N 3006-9B O'RING		04
06	0501010617	3/4" NIPPLE		04

HEAD ARTICULATED ASSY

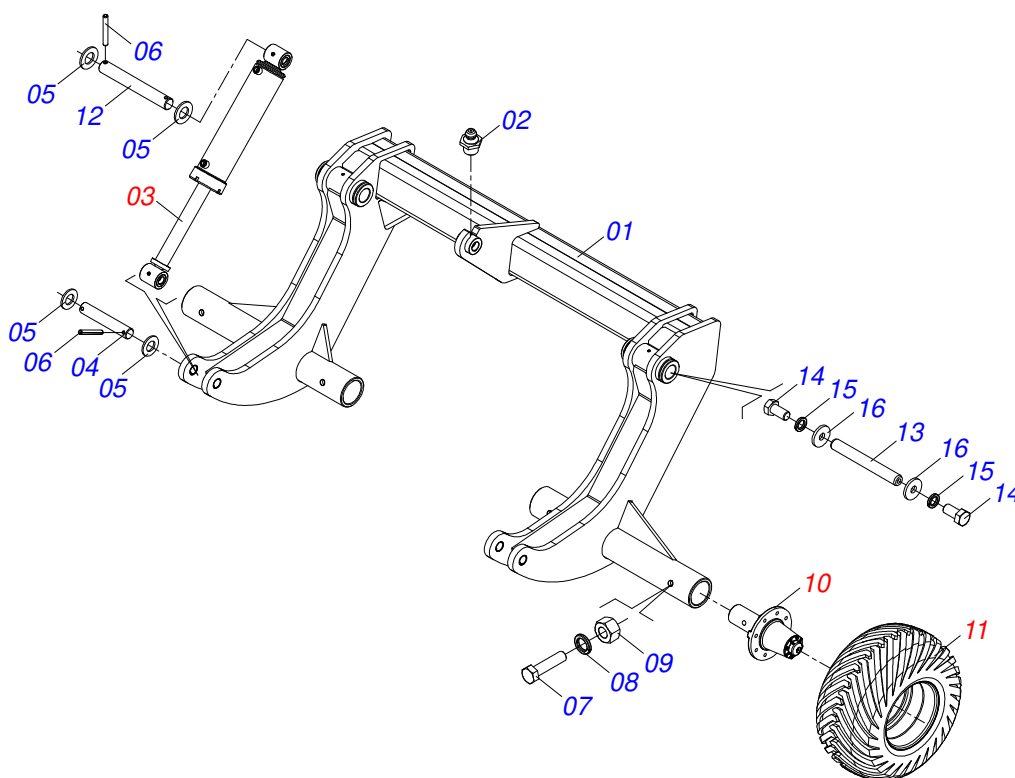


Item	Code	Description	See page	QT
01	0521066758	HEADER ARTICULATOR		01
02	0521012053	1.5" X 8.6" AXLE		01
03	0501011301	1.1/2 UNC 6FPP 2.5/16 NUT		01
04	0503010010	1/4" X 2.1/2" COTTERPIN		01
05	0521017351	1-1/4" X 8" BOLT		01
06	0501017779	32 X 60 X 4.75 FLAT WASHER		01
07	0503010817	1.1/4" SELF LOCKING NUT		02
08	0511059199	STABILIZER BAR REGULATOR EXTENSOR	5	01
09	0521066960	ARTICULADOR STABILIZER BAR		01
10	0521010780	1.2" X 4.5" COUPLING SHAFT		01
11	0503010523	1/4" X 2" COTTERPIN		02
12	0581011919	31,75 X 170 ZN COUPLING SHAFT		01
13	0581011775	EJE PIVOT SHAFT STABILIZER BAR		01
14	0503010290	SELF ADJUSTING 1.1/2" UNF NUT		01
15	0501010216	3/4" X 4-1/2" BOLT		01
16	0503011075	3/4" UNC NUT		01
17	0521066959	STABILIZER BAR		01
18	0503013321	SCREW 1.1/4 UNF X 7 C S G.8 ZN		01
19	0501010287	FLAT WASHER		01

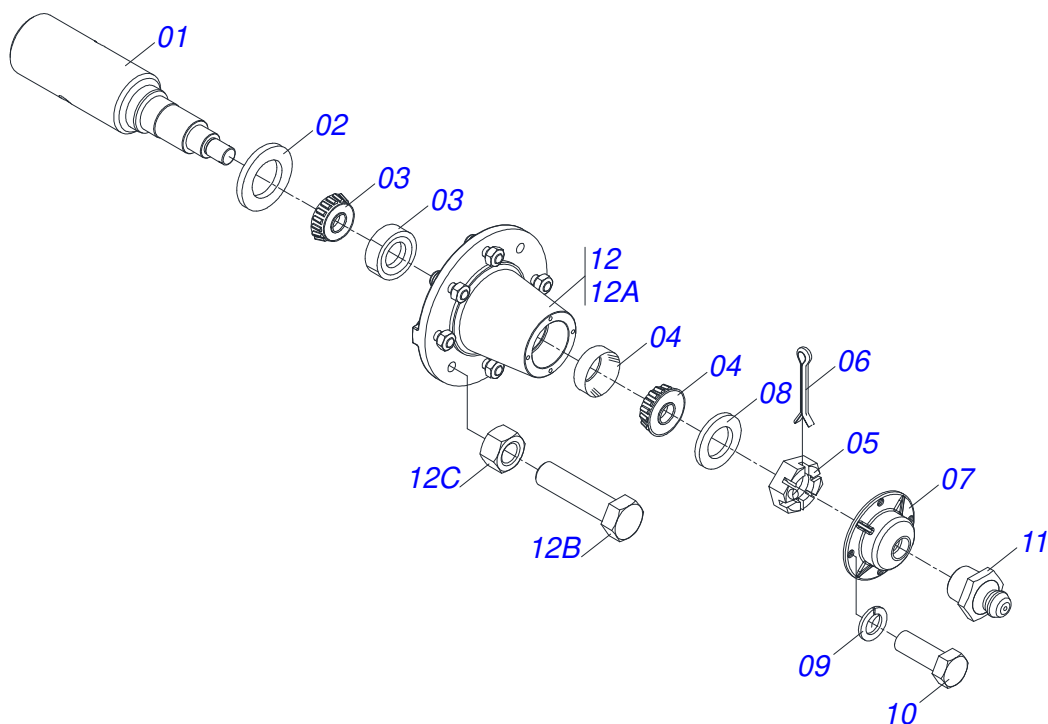


Item	Code	Description	See page	QT
01	0521066962	JACK CRANK C/O. R.1.3/4 ESQUERDO		01
02	0521066965	JACK CRANK NUT FIXER R.1.3/4 UNC DIREITO		01
03	0521066963	ADJUSTMENT NUT R.1.3/4 UNC (245)		01
04	0521066964	LEVER STABILIZER OF TENSOR REGULATOR		01
05	0503010002	1800 GREASE FITTING		03
06	0503030285	HITCH PIN CLIP		01
07	0503010806	5/8" X 3" BOLT		01
08	0503010878	5/8" SELF ALIGNING NUT		01

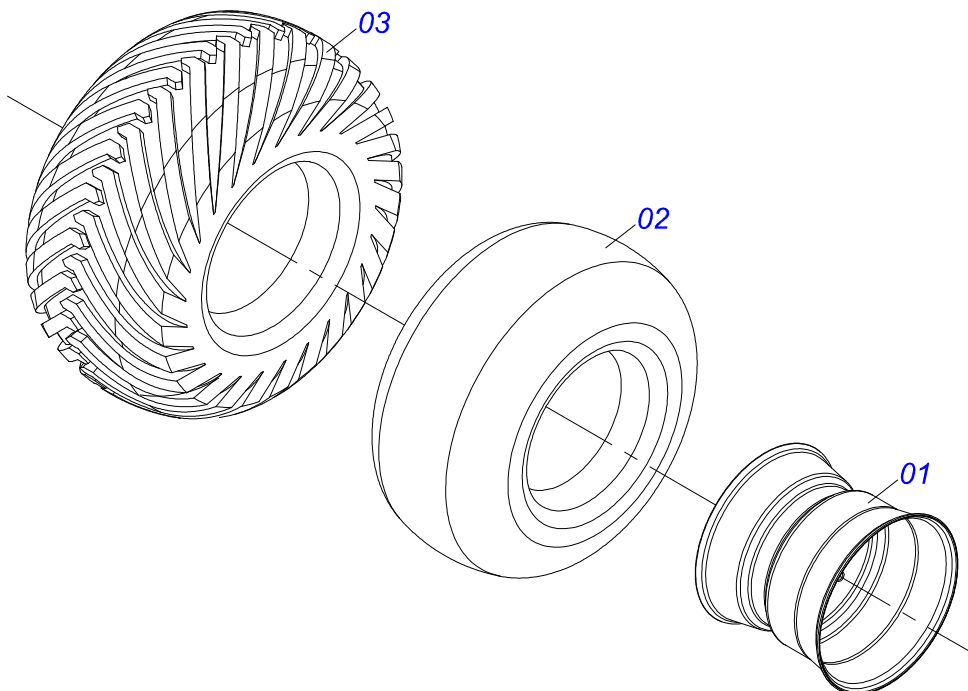
WHEEL ASSY



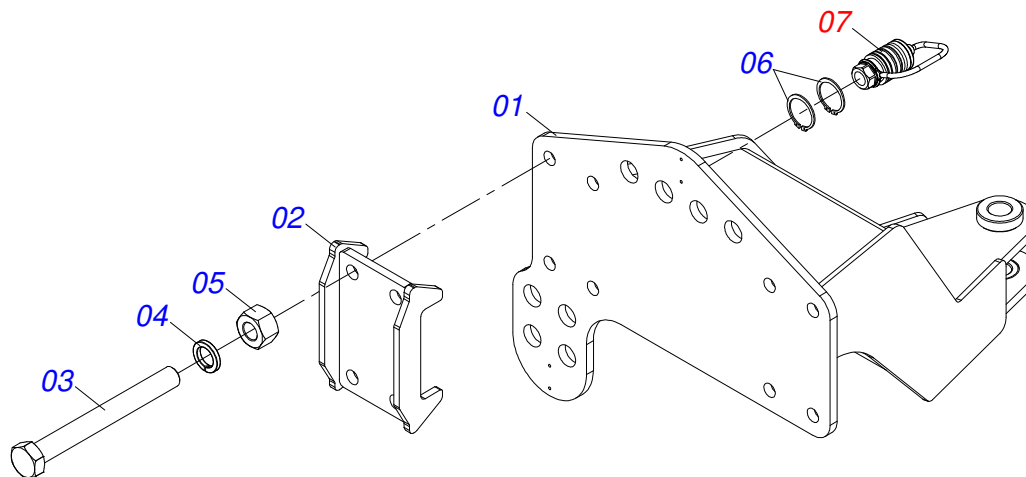
Item	Code	Description	See page	QT
01	0521066478	CARRYNG-WHEELS		01
02	0503010002	1800 GREASE FITTING		02
03	0521051832	HYDRAULIC CYLINDER 53,98 X 114,30 X 654 X 346		02
04	0531018101	1.2" X 6.3" PIVOT SHAFT		02
05	0501017779	32 X 60 X 4.75 FLAT WASHER		08
06	0503011877	0.3" X 2.4" SPRING PIN		08
07	0503011198	C3/4" X 6" SCREW		02
08	0503010023	3/4" SPRING WASHER		02
09	0503010014	3/4" NUT		02
10	0501056467	STUB SHAFT & HUB ASSY	7	02
11	0503060102	WHEEL AND TIRE	8	02
12	0531018105	1.2" X 11.8" PIVOT SHAFT		02
13	0531018062	COUPLING SHAFT		02
14	0503011250	1" X 2" BOLT		04
15	0503010012	1" SPRING WASHER		04
16	0521011565	FLAT WASHER		04



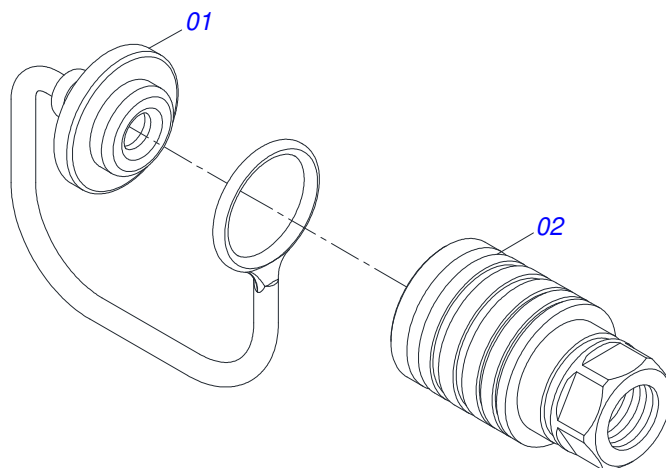
Item	Code	Description	See page	QT
01	0541016566	POINT AXIS 3.1/2 X 375		01
02	0503013314	RETAINER 5166-GB 63,5 X 110 X 13 ARCA		01
03	0503015290	3780/3720 ROLLER BEARING		01
04	0503014821	ROLLER BEARING		01
05	0503830009	1" X 0.9" CASTLE NUT		01
06	0503010018	5/32 X 1-1/2 COTTERPIN		01
07	0502020591	PROTECCION COVER		01
08	0511812492	FLAT WASHER		01
09	0503011444	SPRING WASHER		04
10	0503810358	5/16" X 7/8" UNC BOLT		04
11	0503010002	1800 GREASE FITTING		01
12	0501110738	CARRYING WHEEL HUB		01
12A	0502012260	TRANSPORT WHEEL BOX		01
12B	0501010186	WHEEL SCREW 5/8UNF X 2.1/8CR		08
12C	0503010064	5/8 UNF CONIC NUT		08



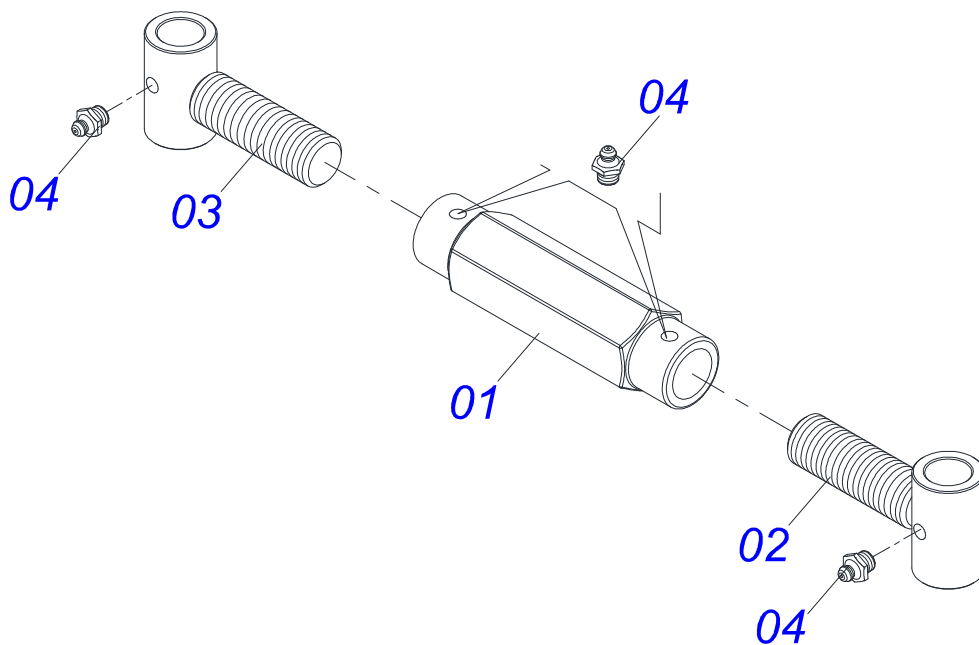
Item	Code	Description	See page	QT
01	0501069483	WHEEL		01
02	0503012112	400/60 - 15.5 TR 15 INNER TIRE		01
03	0503013119	CANVAS TIRE		01



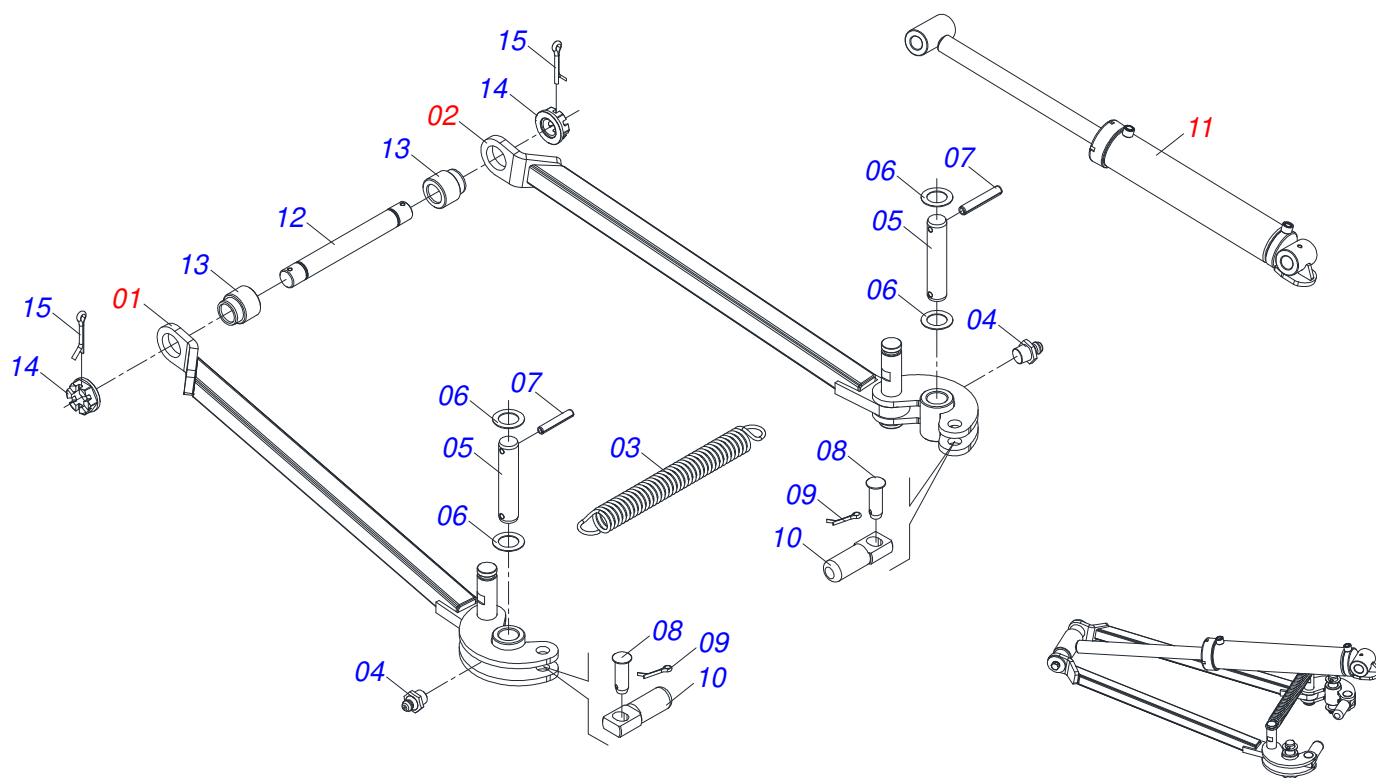
Item	Code	Description	See page	QT
01	0521065966	REAR HITCH		01
02	0521065965	FIXER CLAW		02
03	0501010064	1" X 9" BOLT		08
04	0503010012	1" SPRING WASHER		08
05	0501010059	1.5/8 NUT		08
06	0503010217	501040 CLAMPING RING (FOR AXLE)		04
07	0501053835	FEMALE QUICK COUPLER	10	02



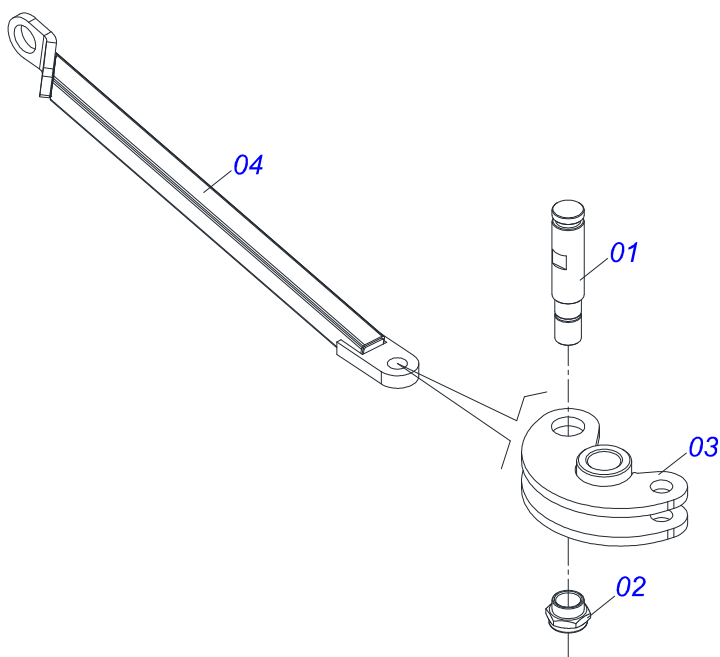
Item	Code	Description	See page	QT
01	0503011883	QUICK CONNECTION COVER		01
02	0503011628	FEMALE QUICK COUPLER		01



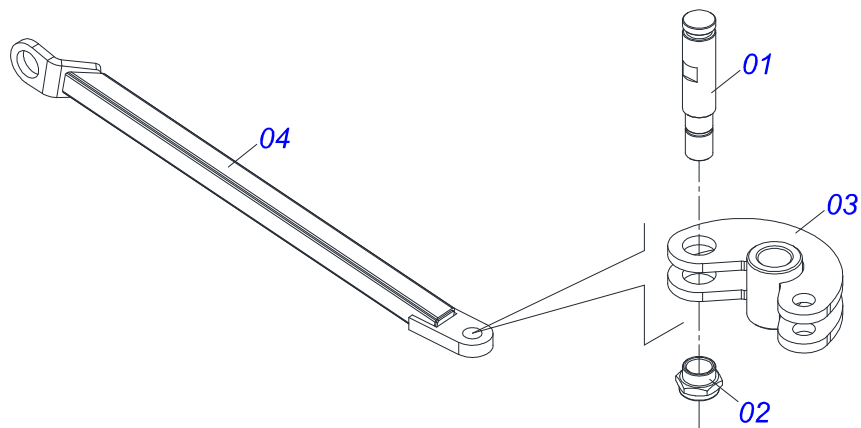
Item	Code	Description	See page	QT
01	0502011469	245 ADJUSTMENT NUT		01
02	0501069416	JACKET		01
03	0501069417	JACK CRANK		01
04	0503010002	1800 GREASE FITTING		04



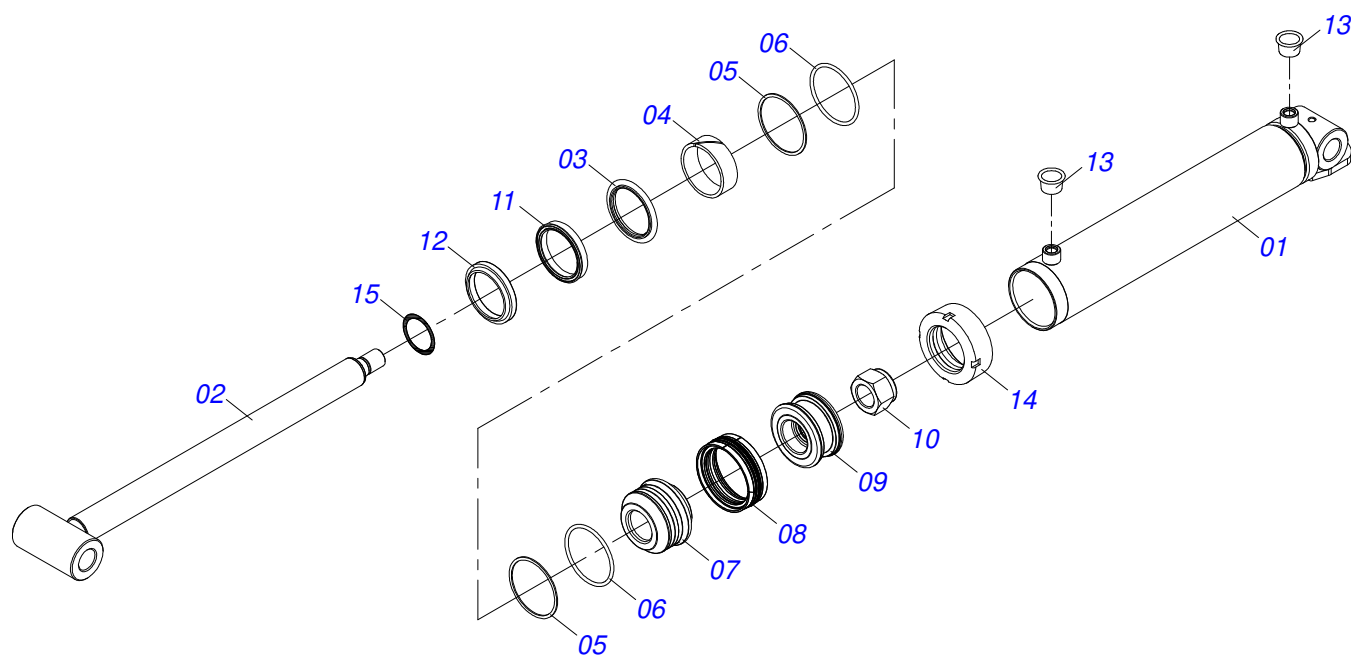
Item	Code	Description	See page	QT
01	0501057274	LH REAR DRIVER ARM	13	04
02	0501057273	PIVOT ARM ASSY	14	04
03	0503032537	50,7 X 325 X 6,35 TRACTION SPRING		04
04	0503010002	1800 GREASE FITTING		04
05	0541016677	37,20 X 177 COUPLING SHAFT		08
06	0511019685	FLAT WASHER		16
07	0503010361	SPRING PIN		16
08	0521010572	0.9" X 2.9" COUPLING SHAFT		08
09	0503010571	1/4" X 1.1/2 COTTERPIN		08
10	0541019253	FRAME LOCK AXLE		08
11	0511057940	HYDRAULIC CILINDER	15	04
12	0501210091	ARTICULATOR PIVOT AXIS		04
13	0541016614	38,20 X 62 X 61 SLEEVE		08
14	0501011301	1.1/2 UNC 6FPP 2.5/16 NUT		08
15	0503010010	1/4" X 2.1/2" COTTERPIN		08



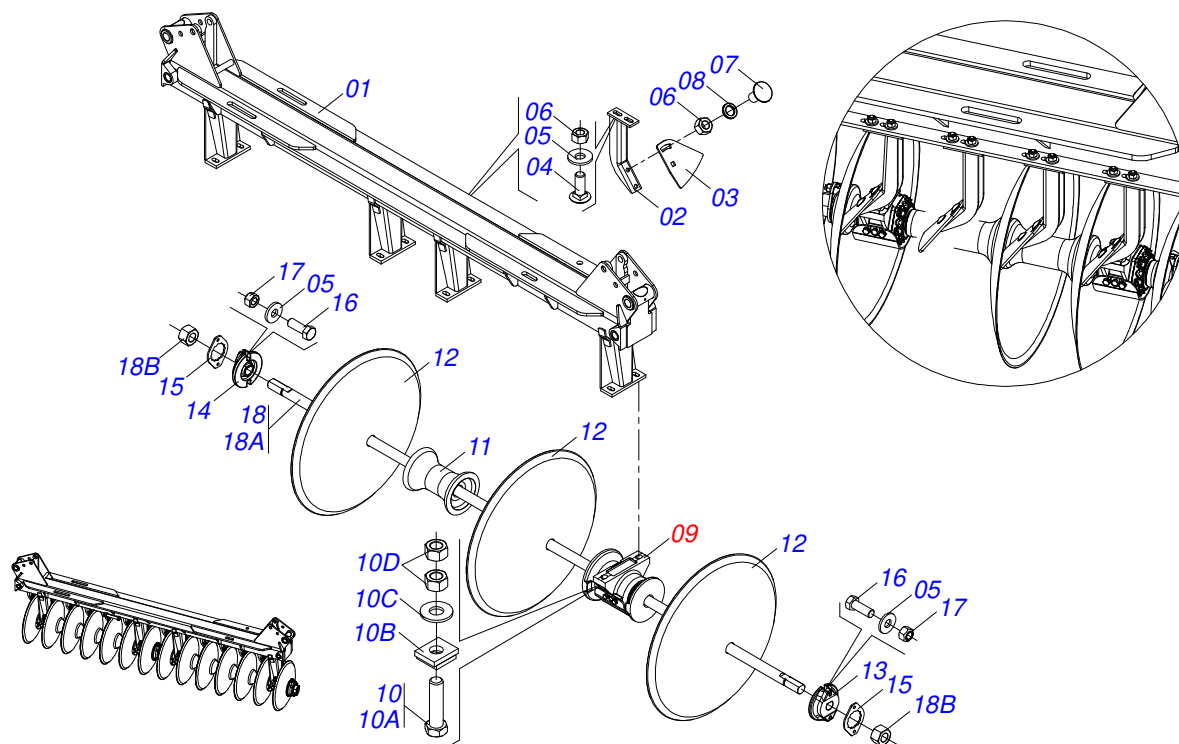
Item	Code	Description	See page	QT
001	0541016749	LOCK AXLE PIVOT		01
002	0541019258	1.1/4 ADJUSTING NUT		01
003	0511066497	LOK PIVOT		01
004	0511067210	DRIVER ARM		01



Item	Code	Description	See page	QT
001	0541016749	LOCK AXLE PIVOT		01
002	0541019258	1.1/4 ADJUSTING NUT		01
003	0511066497	LOK PIVOT		01
004	0511067209	FRONT DRIVER ARM		01

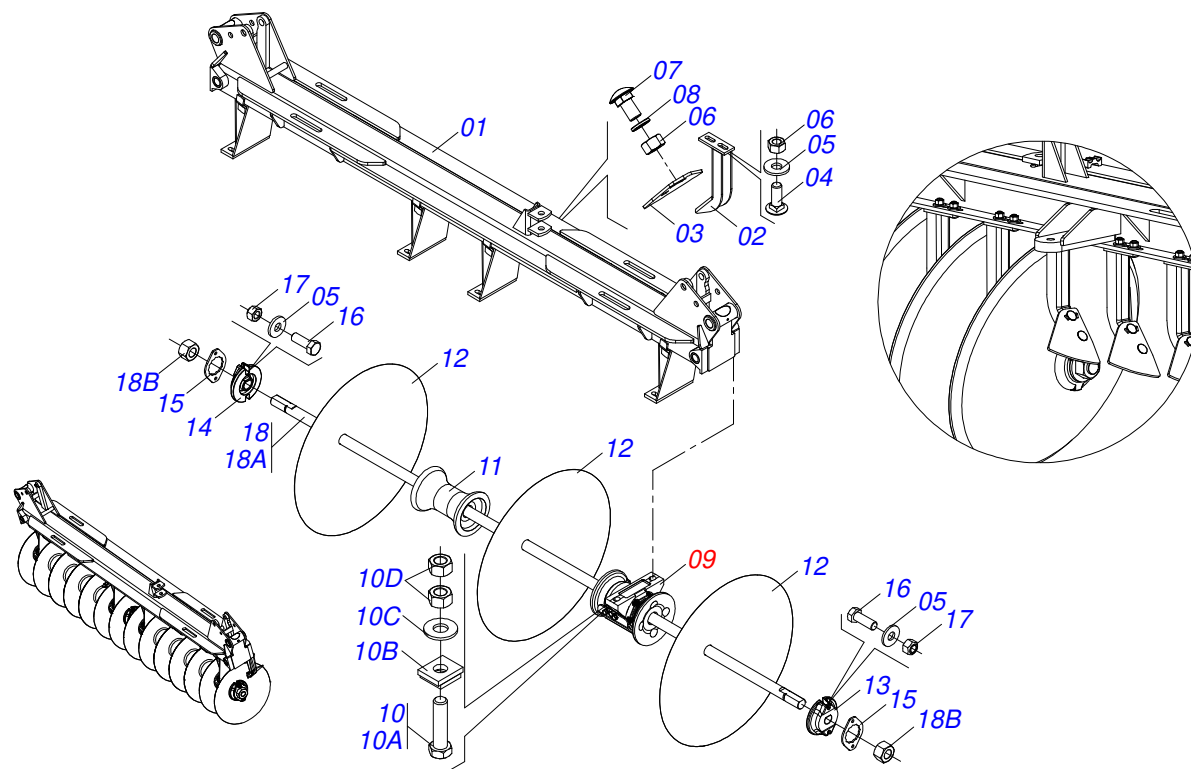


Item	Code	Description	See page	QT
01	0521066447	101,60 X 654,50 X 38,40 CYLINDER CASE		01
02	0521061439	50,80 X 751,50 X 38,40 TURNBUCKLE		01
03	0503018024	RING BS		01
04	0503018025	RING GUIDE		01
05	0503011061	8-342 BACK-UP RING		02
06	0503010338	2-342 N 3006-9B O'RING		02
07	0502012821	50.80 X 101.60 RING SUPPORT		01
08	0503015633	SELEMASTER SEALING		01
09	0502012820	50.80 X 101.60 PISTON		01
10	0503010817	1.1/4" SELF LOCKING NUT		01
11	0503018026	1870-2000-375 B GASKET		01
12	0503010039	D-2000 SCRAPER RING		01
13	0503030384	CON PLUG N-001		02
14	0502010017	4" HEAD		01
15	0503018029	2-217 O'RING		01

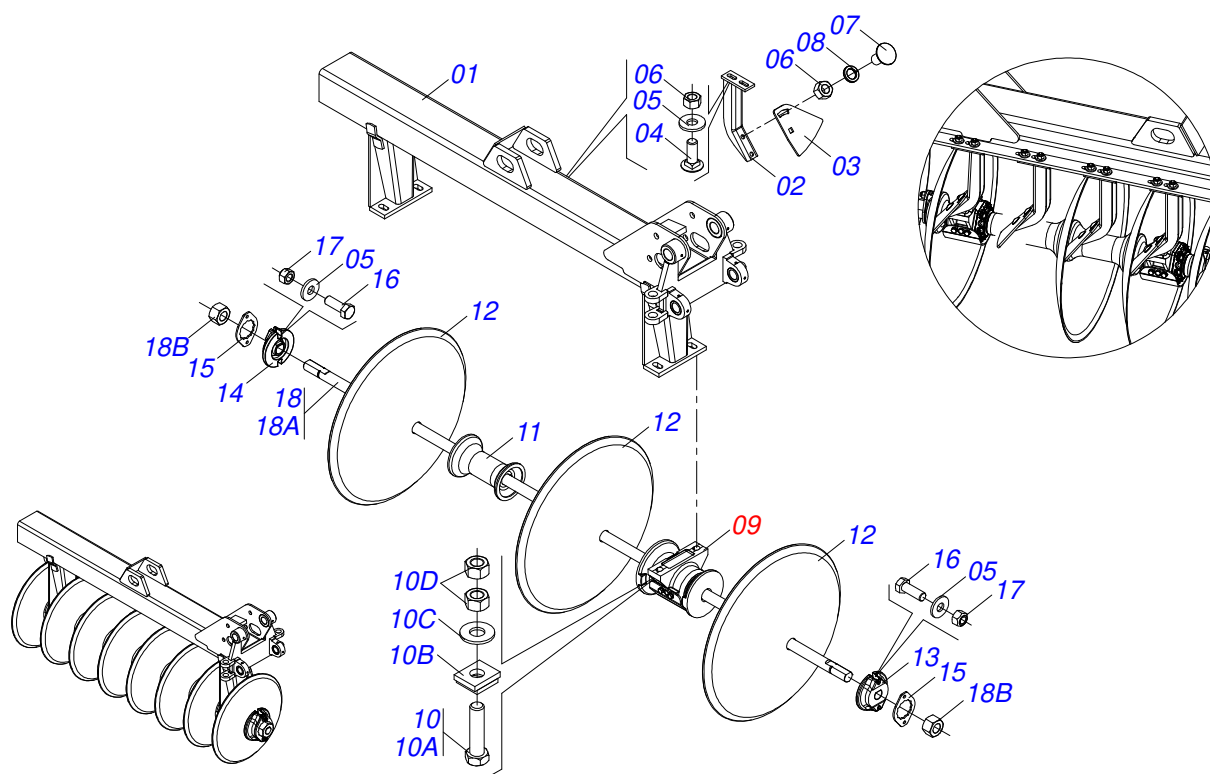


Item	Code	Description	See page	QT
01	0521067594	FRONT CENTRAL FRAME		01
02	0521061053	CLEANER SUPPORT		14
03	0561014263	CLEANER SHOVEL		14
04	0503012699	BOLT 5/8NC X 2 CAPQ G.5 ZN 1K20548		28
05	0501012140	FLAT WASHER		36
06	0503010013	5/8" NUT		28
07	0503012195	5/8" NUT		28
08	0503010027	5/8" SPRING WASHER		28
09	0511046492	OIL BATH BEARING	22	04
10	0511046308	7/8" NC X 4.1/2" BOLT ASSY		08
10A	0503012460	7/8" X 4-1/2" BOLT		08
10B	0521066938	BEARING SUPPORT		08
10C	0561013107	FLAT WASHER		08
10D	0503010417	7/8" NUT		16
11	0502012480	263 SPACER		08
12	0601033248	26' X 0.3" PLAIN DISC BLADE		14
13	0502010594	2-1/8" EXTERNAL AXLE WASHER		02
14	0502010595	2-1/8" INNER AXLE WASHER		02
15	0541010368	NUT LOCK		08
16	0503010232	5/8" X 1.3/4" BOLT		08
17	0503012412	5/8 UNC SELF LOCKING NUT		02
18	0501043062	2.1/8" X 1850 AXLE WITH NUTS		02
18A	0501019046	2.1/8" X 1850 AXLE		02
18B	0502040063	2.1/8" X 54 99 NUT		04

REAR CENTRAL DISC SECTION

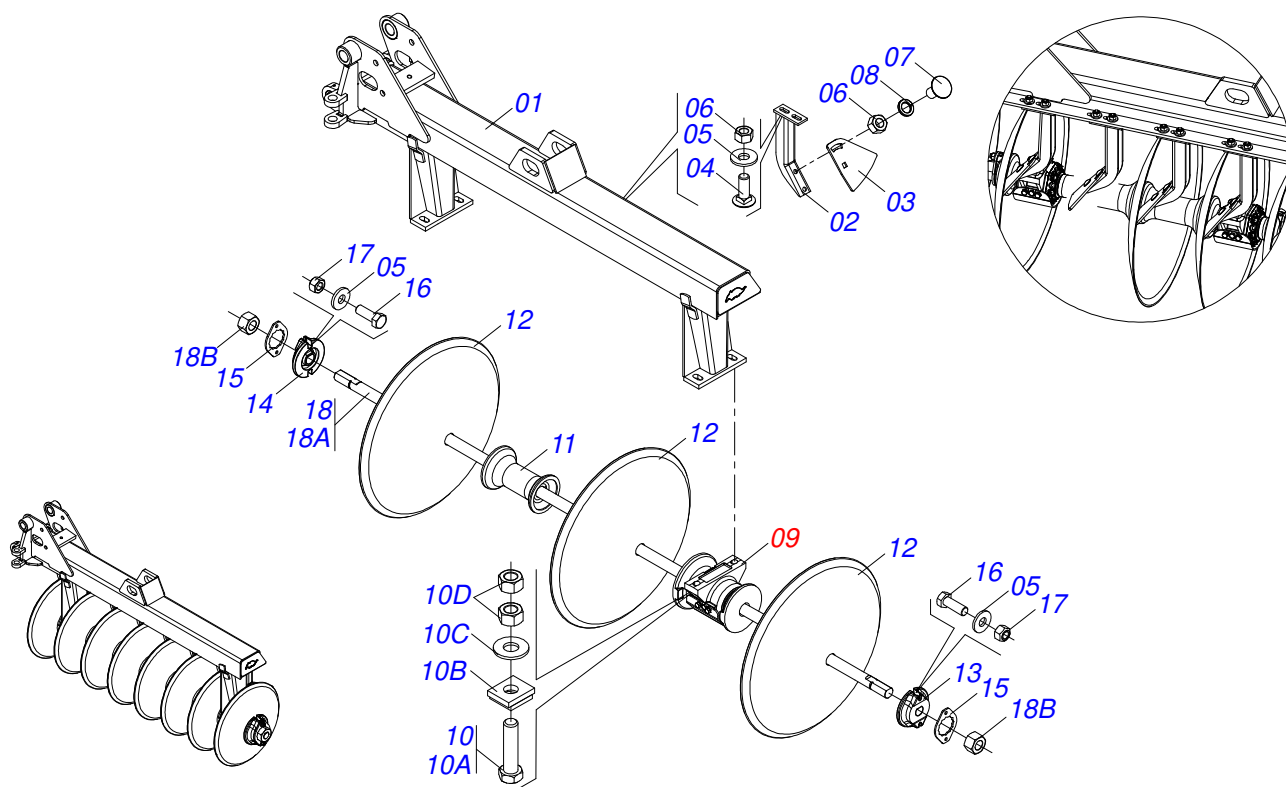


Item	Code	Description	See page	QT
01	0521067593	REAR CENTRAL FRAME		01
02	0521061053	CLEANER SUPPORT		14
03	0561014263	CLEANER SHOVEL		14
04	0503013842	5/8" UNC X 1-3/4" BOLT		28
05	0501012140	FLAT WASHER		36
06	0503010013	5/8" NUT		28
07	0503012195	5/8" NUT		28
08	0503010027	5/8" SPRING WASHER		28
09	0511046492	OIL BATH BEARING	22	04
10	0511046308	7/8" NC X 4.1/2" BOLT ASSY		08
10A	0503012460	7/8" X 4-1/2" BOLT		08
10B	0521066938	BEARING SUPPORT		08
10C	0561013107	FLAT WASHER		08
10D	0503010417	7/8" NUT		16
11	0502012480	263 SPACER		08
12	0601033248	26' X 0.3" PLAIN DISC BLADE		14
13	0502010595	2-1/8" INNER AXLE WASHER		02
14	0502010594	2-1/8" EXTERNAL AXLE WASHER		02
15	0541010368	NUT LOCK		04
16	0503010232	5/8" X 1.3/4" BOLT		08
17	0503012412	5/8 UNC SELF LOCKING NUT		08
18	0501043062	2.1/8" X 1850 AXLE WITH NUTS		02
18A	0501019046	2.1/8" X 1850 AXLE		02
18B	0502040063	2.1/8" X 54 99 NUT		04

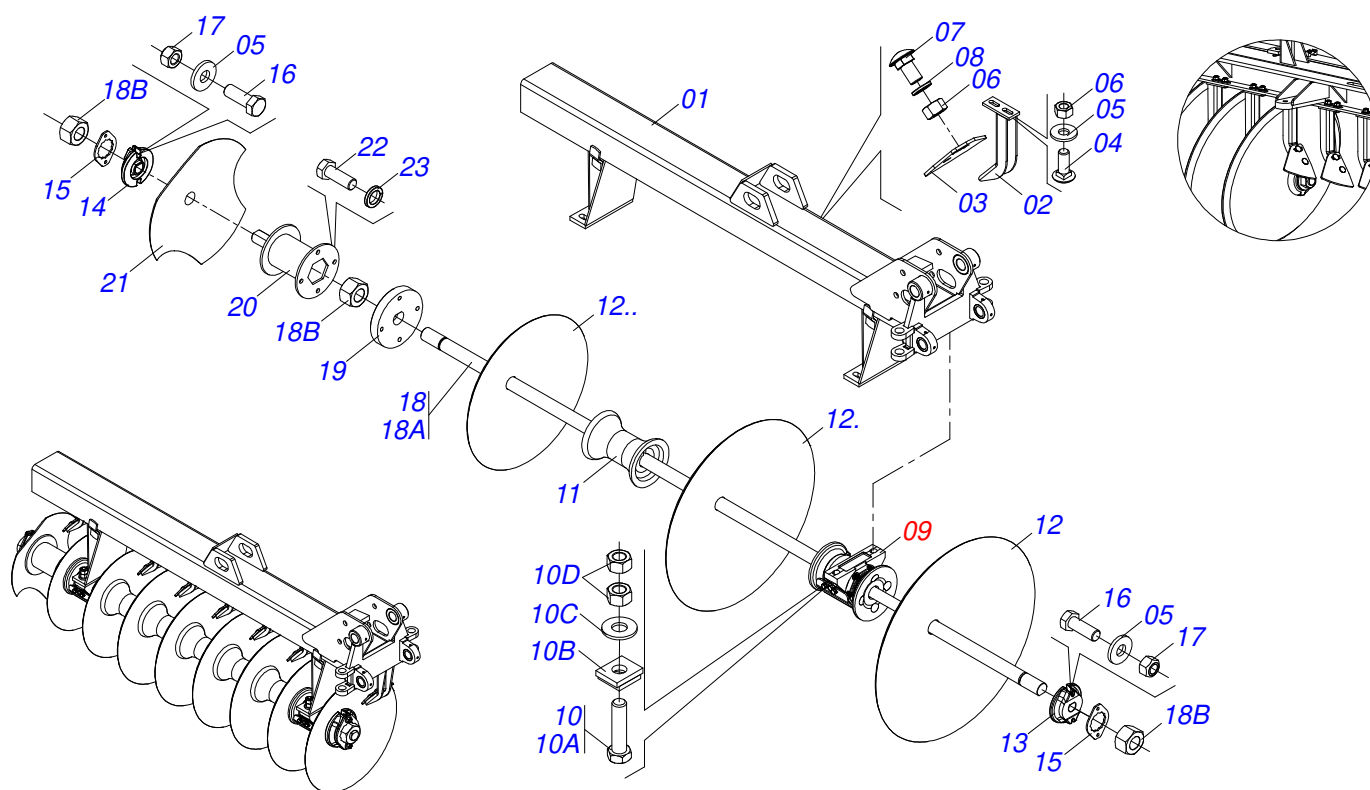


Item	Code	Description	See page	QT
01	0521067595	FRONT SIDE FRONT FRAME		01
02	0521061053	CLEANER SUPPORT		08
03	0561014263	CLEANER SHOVEL		08
04	0503013842	5/8" UNC X 1-3/4" BOLT		16
05	0501012140	FLAT WASHER		20
06	0503010013	5/8" NUT		32
07	0503012195	5/8" NUT		16
08	0503010027	5/8" SPRING WASHER		16
09	0511046492	OIL BATH BEARING	22	02
10	0511046308	7/8" NC X 4.1/2" BOLT ASSY		04
10A	0503012460	7/8" X 4-1/2" BOLT		04
10B	0521066938	BEARING SUPPORT		04
10C	0561013107	FLAT WASHER		04
10D	0503010417	7/8" NUT		08
11	0502012480	263 SPACER		05
12	0601033248	26' X 0.3" PLAIN DISC BLADE		08
13	0502010594	2-1/8" EXTERNAL AXLE WASHER		01
14	0502010595	2-1/8" INNER AXLE WASHER		01
15	0541010368	NUT LOCK		02
16	0503010232	5/8" X 1.3/4" BOLT		04
17	0503012412	5/8 UNC SELF LOCKING NUT		04
18	0511047066	2-1/8" X 2120 AXLE WITH NUTS		01
18A	0551017148	2-1/8" X 2120 AXLE		01
18B	0502040063	2.1/8" X 54 99 NUT		02

LEFT SIDE FRONT DISC SECTION

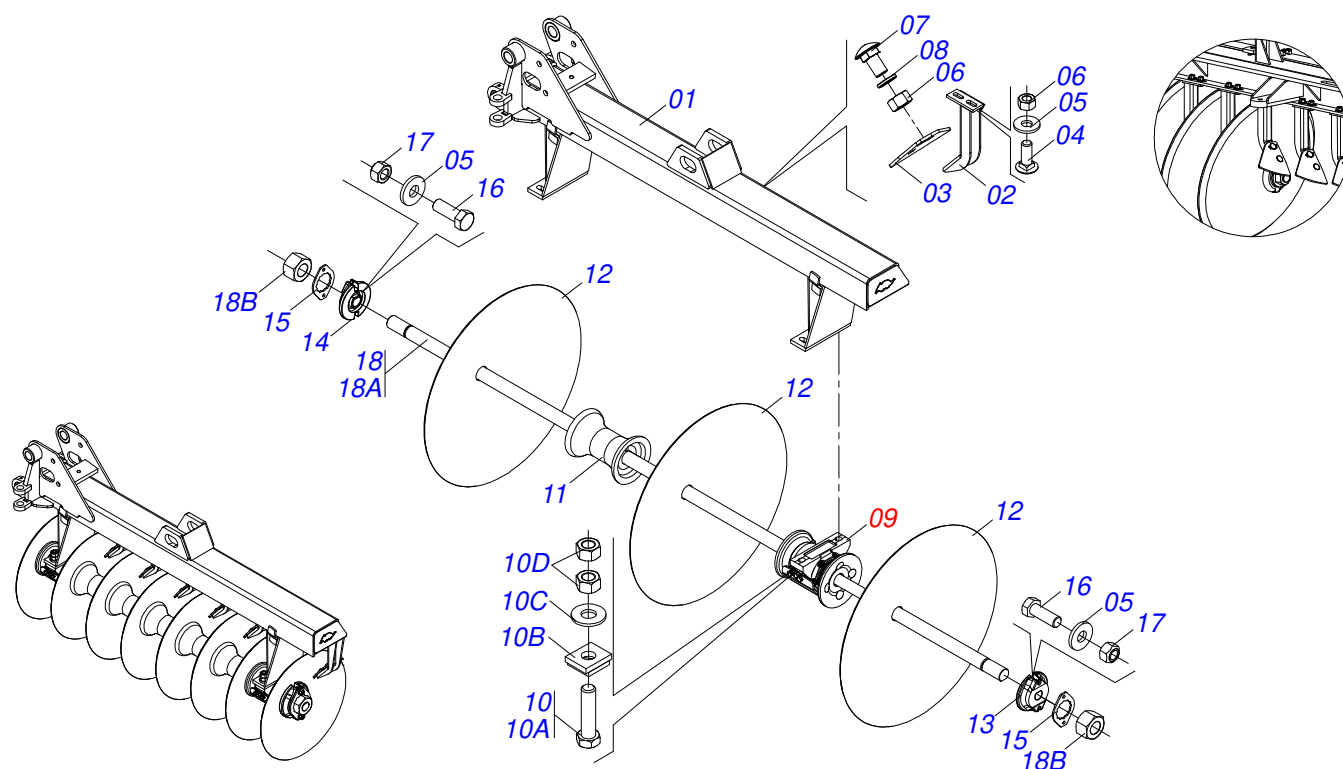


Item	Code	Description	See page	QT
01	0521067596	SIDE FRONT FRAME LEFT		01
02	0521061053	CLEANER SUPPORT		08
03	0561014263	CLEANER SHOVEL		08
04	0503013842	5/8" UNC X 1-3/4" BOLT		16
05	0501012140	FLAT WASHER		20
06	0503010013	5/8" NUT		32
07	0503012195	5/8" NUT		16
08	0503010027	5/8" SPRING WASHER		16
09	0511046492	OIL BATH BEARING	22	02
10	0511046308	7/8" NC X 4.1/2" BOLT ASSY		04
10A	0503012460	7/8" X 4-1/2" BOLT		04
10B	0521066938	BEARING SUPPORT		04
10C	0561013107	FLAT WASHER		04
10D	0503010417	7/8" NUT		08
11	0502012480	263 SPACER		05
12	0601033248	26' X 0.3" PLAIN DISC BLADE		08
13	0502010594	2-1/8" EXTERNAL AXLE WASHER		01
14	0502010595	2-1/8" INNER AXLE WASHER		01
15	0541010368	NUT LOCK		02
16	0503010232	5/8" X 1.3/4" BOLT		04
17	0503012412	5/8 UNC SELF LOCKING NUT		04
18	0511047066	2-1/8" X 2120 AXLE WITH NUTS		01
18A	0551017148	2-1/8" X 2120 AXLE		01
18B	0502040063	2.1/8" X 54 99 NUT		02

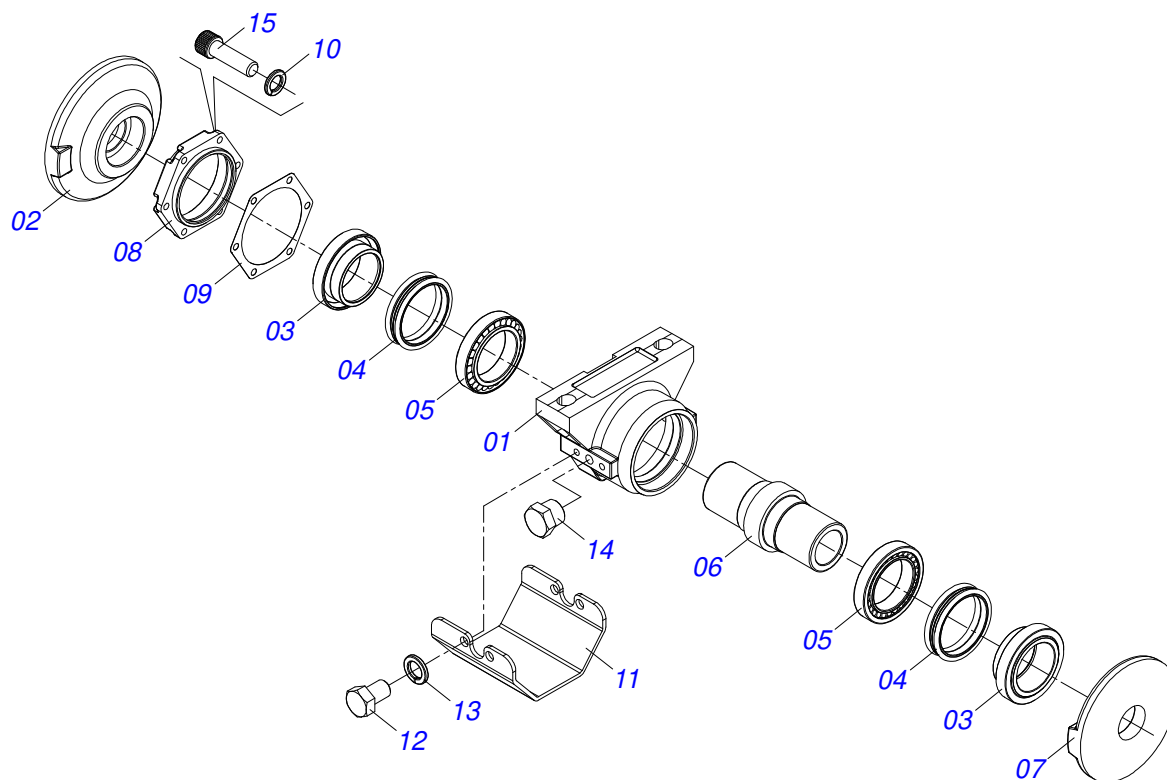


Item	Code	Description	See page	QT
01	0521067597	RIGHT SIDE REAR FRAME		01
02	0521061053	CLEANER SUPPORT		09
03	0561014263	CLEANER SHOVEL		09
04	0503012699	BOLT 5/8NC X 2 CAPQ G.5 ZN 1K20548		18
05	0501012140	FLAT WASHER		22
06	0503010013	5/8" NUT		36
07	0503012195	5/8" NUT		18
08	0503010027	5/8" SPRING WASHER		18
09	0511046492	OIL BATH BEARING	22	02
10	0511046308	7/8" NC X 4.1/2" BOLT ASSY		04
10A	0503012460	7/8" X 4-1/2" BOLT		04
10B	0521066938	BEARING SUPPORT		04
10C	0561013107	FLAT WASHER		04
10D	0503010417	7/8" NUT		08
11	0502012480	263 SPACER		05
12	0601033248	26" X 0.3" PLAIN DISC BLADE		06
12.	0601031130	24" X 6 PLAIN DISC BLADE		01
12..	0601029402	22" X 0.2" PLAIN DISC BLADE		01
13	0502010595	2-1/8" INNER AXLE WASHER		01
14	0502010594	2-1/8" EXTERNAL AXLE WASHER		01
15	0541010368	NUT LOCK		02
16	0503010232	5/8" X 1.3/4" BOLT		04
17	0503012412	5/8 UNC SELF LOCKING NUT		04
18	0511047066	2-1/8" X 2120 AXLE WITH NUTS		01
18A	0551017148	2-1/8" X 2120 AXLE		01
18B	0502040063	2.1/8" X 54 99 NUT		03
19	0561014077	2-1/8" EXTERNAL AXLE LOCK		01
20	0521066232	FURROW FILLE 2.1/8" SPACER		01
21	0602027339	20" X 0.3" NOTCHED DISC BLADE		01
22	0501010098	3/4" UNC BOLT		04
23	0503010023	3/4" SPRING WASHER		04

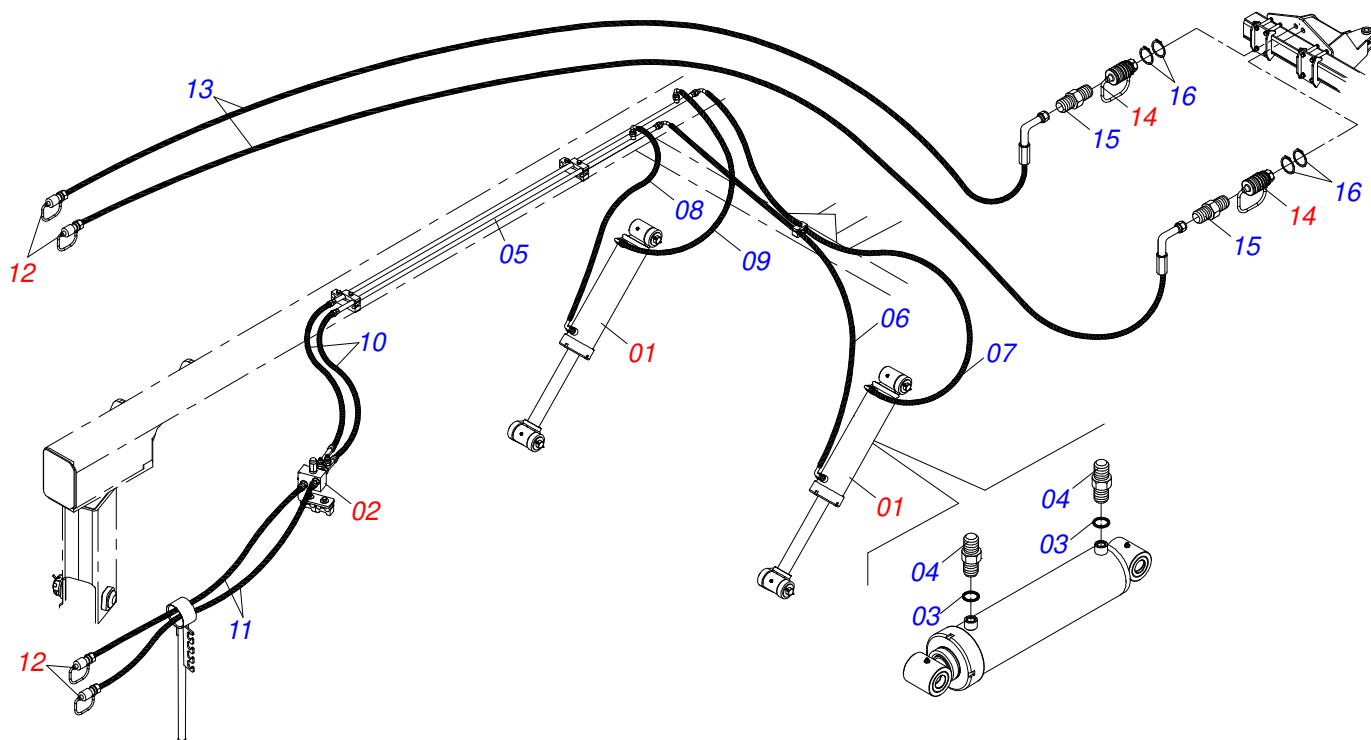
LEFT SIDE REAR DISC SECTION



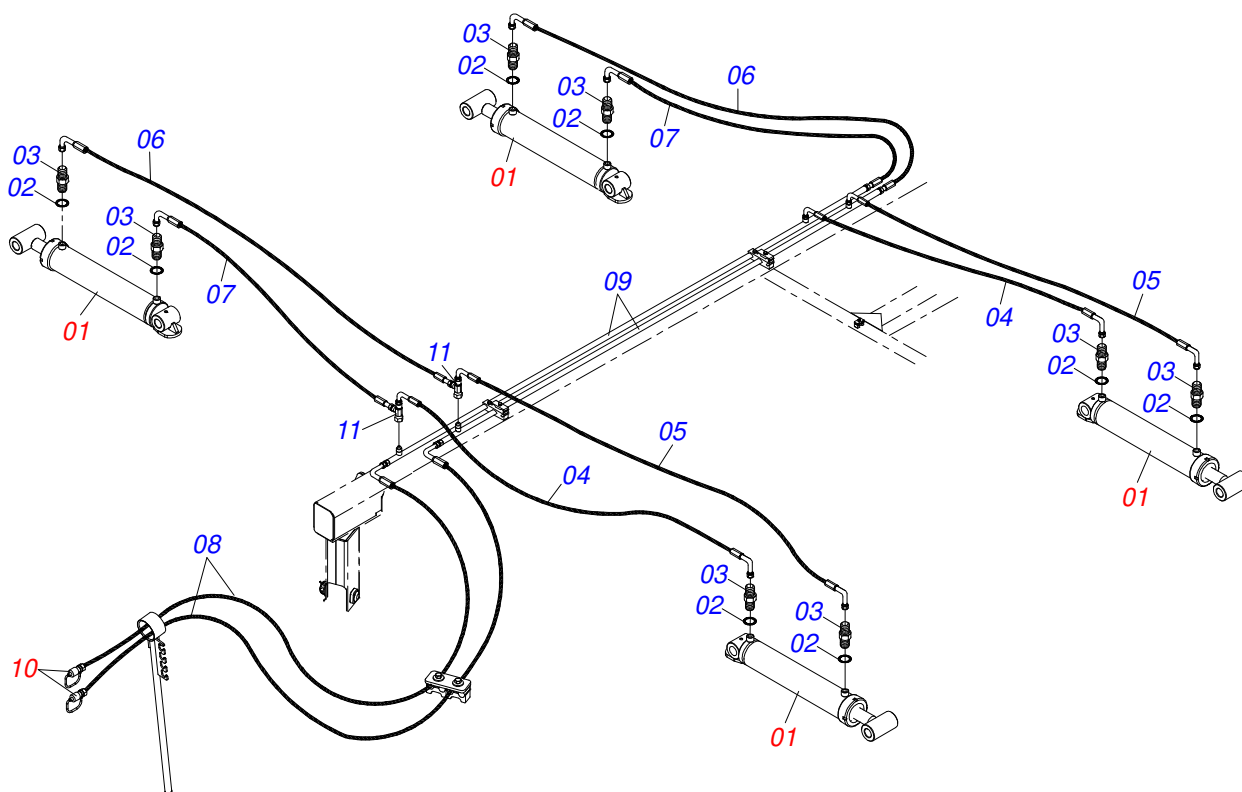
Item	Code	Description	See page	QT
01	0521067598	LEFT SIDE REAR FRAME		01
02	0521061053	CLEANER SUPPORT		08
03	0561014263	CLEANER SHOVEL		08
04	0503012699	BOLT 5/8NC X 2 CAPQ G.5 ZN 1K20548		16
05	0501012140	FLAT WASHER		20
06	0503010013	5/8" NUT		32
07	0503012195	5/8" NUT		16
08	0503010027	5/8" SPRING WASHER		16
09	0511046492	OIL BATH BEARING	22	02
10	0511046308	7/8" NC X 4.1/2" BOLT ASSY		04
10A	0503012460	7/8" X 4-1/2" BOLT		04
10B	0521066938	BEARING SUPPORT		04
10C	0561013107	FLAT WASHER		04
10D	0503010417	7/8" NUT		08
11	0502012480	263 SPACER		05
12	0601033248	26' X 0.3" PLAIN DISC BLADE		08
13	0502010595	2-1/8" INNER AXLE WASHER		01
14	0502010594	2-1/8" EXTERNAL AXLE WASHER		01
15	0541010368	NUT LOCK		02
16	0503010232	5/8" X 1.3/4" BOLT		04
17	0503012412	5/8 UNC SELF LOCKING NUT		04
18	0511047066	2-1/8" X 2120 AXLE WITH NUTS		01
18A	0551017148	2-1/8" X 2120 AXLE		01
18B	0502040063	2.1/8" X 54 99 NUT		02



Item	Code	Description	See page	QT
01	0502012482	HOUSING BEARING		01
02	0502040195	OUTER FLANGE		01
03	0502040198	SEAL RETAINER		02
04	0503030028	JB-257 SEAL		02
05	0503013966	ROLLER BEARING		02
06	0502040197	MRO 266,7 X 10.1/2 AXLE		01
07	0502040196	INNER FLANGE		01
08	0502012481	BOX COVER		01
09	0503032999	JOINT		01
10	0503011443	3/8" SPRING WASHER		06
11	0551017124	PROTECTION COVER		01
12	0503011401	1/2" X 3/4" BOLT		04
13	0503010019	1/2" SPRING WASHER		04
14	0503010856	OIL PLUG		02
15	0503010175	3/8" X 1-1/4" BOLT		06



Item	Code	Description	See page	QT
01	0521051832	HYDRAULIC CYLINDER 53,98 X 114,30 X 654 X 346		02
02	0511059196	VALVE ASSY	3	01
03	0503010190	2-114 N 3006-9B O'RING		04
04	0501010617	3/4" NIPPLE		04
05	0521066937	DUCT DISTRIBUTOR OF OIL		02
06	0501080370	TC-TC HOSE ASSY		01
07	0501080644	3/8" X 78.7" TC-TC HOSE ASSY		01
08	0501080065	3/8 X 1200 TC-TC HOSE		01
09	0501082058	HOSE 3/8 X 800 TC-TC		01
10	0501080106	TR-TR HOSE ASSY		02
11	0501080205	HOSE 3/8 X 5500 TR-TM		02
12	0501053834	MALE QUICK COUPLER		04
13	0501081322	3/8" X 11500 TC-TM HOSE		02
14	0501053835	FEMALE QUICK COUPLER	10	02
15	0571015342	3/4" NIPPLE		02
16	0503010217	501040 CLAMPING RING (FOR AXLE)		04



Item	Code	Description	See page	QT
01	0511057940	HYDRAULIC CILINDER	15	04
02	0503010190	2-114 N 3006-9B O'RING		08
03	0501010617	3/4" NIPPLE		08
04	0501080749	3/8" X 141" TC-TC HOSE ASSY		02
05	0501080751	3/8" X 4200 TC-TM HOSE		02
06	0501080412	3/8" X 90.55" TR-TC HOSE		02
07	0501080461	3/8 X 1800 TR-TC HOSE		02
08	0501080850	3/8" X 6100 TC-TM HOSE		02
09	0521066126	DISTRIBUTOR OIL TUBE		02
10	0501053834	MALE QUICK COUPLER		02
11	0503011968	3/4" 8R6X-S T ADAPTER WITH SWIVEL NUT		02



MARCHESAN

Technical Publications | Elaboration and Revision

ALESSANDRA PATRICIA KAWAHARA CARRILI

www.marchesan.com.br

