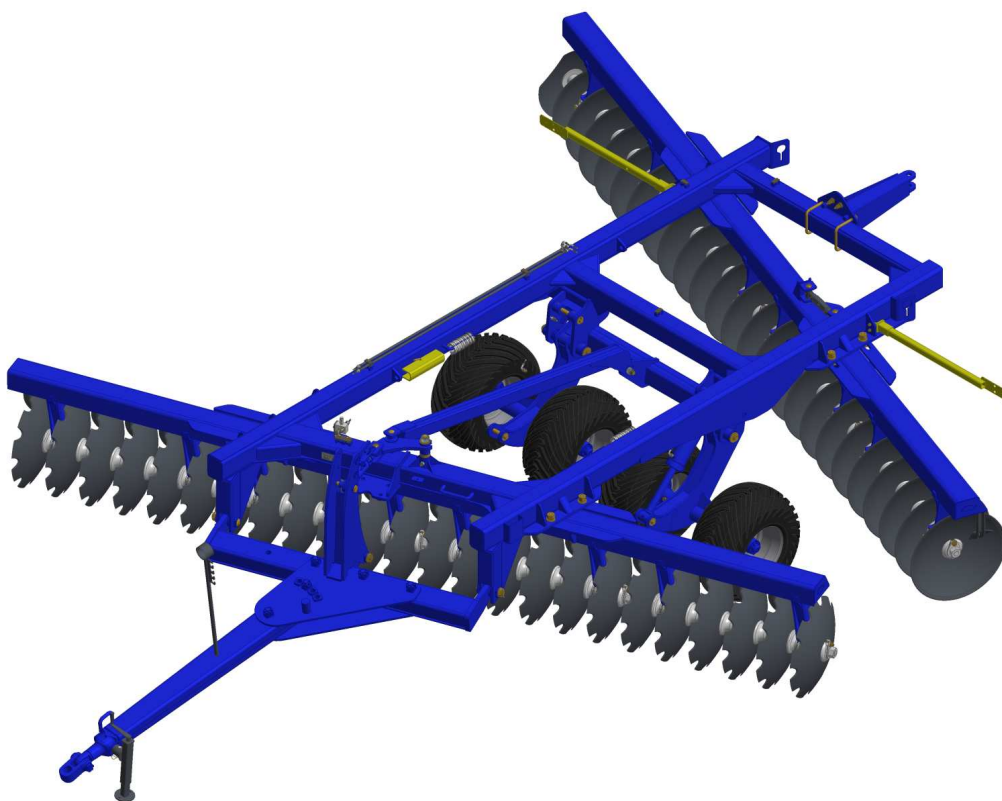


PARTS CATALOG

OFFSET DISK HARROW

GCRO 7010 (AXLE 1.5/8") RIGID
MECHANICAL LIGHT 28-32-36-40-44-48
DISCS

Code: 0501091974



Series: S-0417

Rev.: 00

Date Rev.: AGOSTO/2017

ORIGINAL PARTS
TATU



PRODUCTS

Code	Description
0102560253	GCRO 7010 28X30X7,5 DMO MEC LEVE ESPECIAL S-0417
0102560254	GCRO 7010 32X30X7,5 DMO MEC LEVE ESPECIAL S-0417
0102560255	GCRO 7010 36X30X7,5 DMO MEC LEVE ESPECIAL S-0417
0102560256	GCRO 7010 40X30X7,5 DMO MEC LEVE ESPECIAL S-0417
0102560257	GCRO 7010 44X30X7,5 DMO MEC LEVE ESPECIAL S-0417
0102560258	GCRO 7010 48X30X7,5 DMO MEC LEVE ESPECIAL S-0417

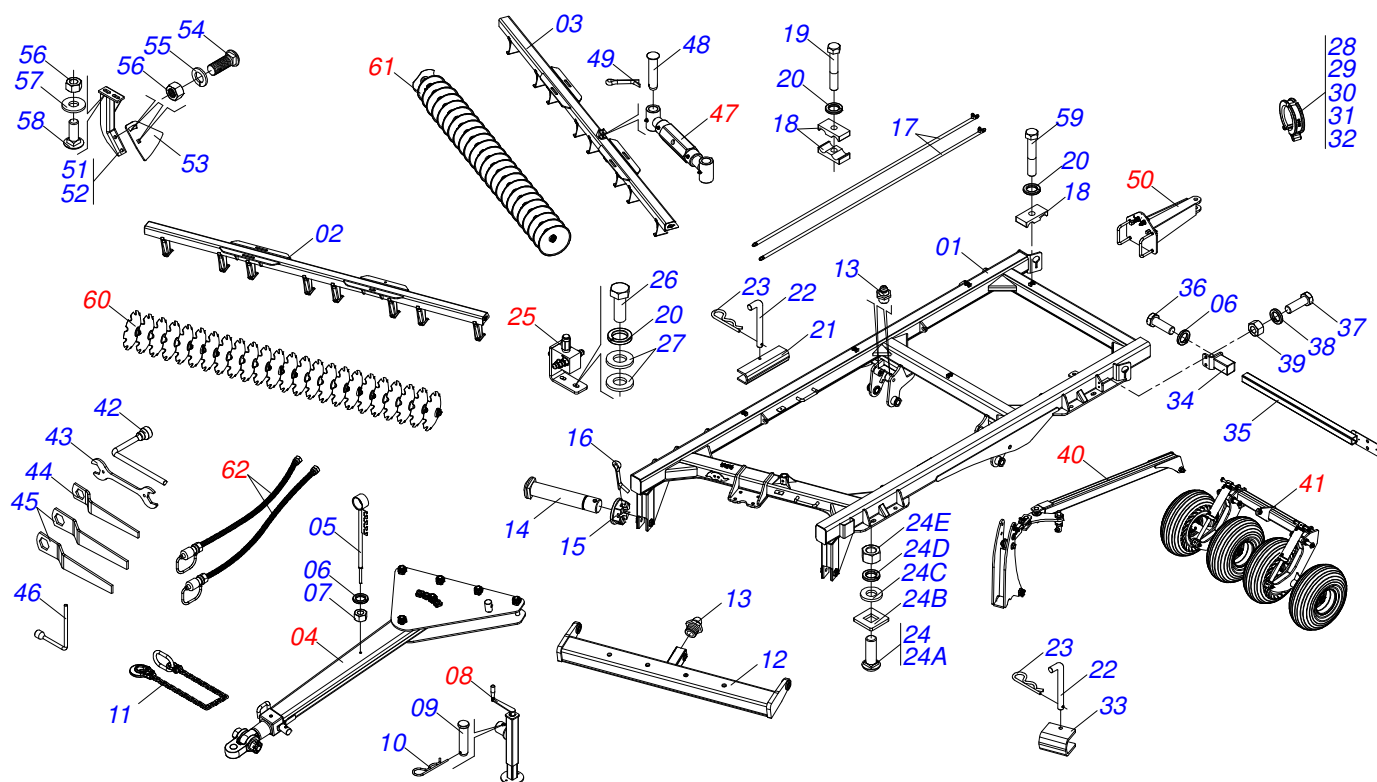
ATTENTION: **IMPORTANT**

MARCHESAN S/A RESERVES THE RIGHT AT ANY TIME TO MAKE IMPROVEMENTS IN THE DESIGN, MATERIAL OR SPECIFICATIONS OF MACHINERY, EQUIPMENT OR PARTS WITHOUT THEREBY BECOMING LIABLE TO MAKE SIMILAR CHANGES IN MACHINERY, EQUIPMENT OR PARTS PREVIOUSLY SOLD.

INDEX

0909092806	FRAME ASSY	1
0521047325	FULL TRACTION BAR	2
0511048088	DRAWBAR JACK	3
0511059196	VALVE FULL	4
0909092814	HEAD ARTICULATED ASSY	5
0511059199	AIR TURNBUCKLE STABILIZER BAR	6
0909092812	WHEEL ASSY	7
0501052005	STABILIZER FOR GANG	8
0521051832	HYDRAULIC CYLINDER	9
0503060102	WHEEL AND TIRE	10
0503060414	WHEEL AND TIRE	11
0501056467	STUB SHAFT & HUB ASSY	12
0909092813	REAR COUPLING KIT	13
0501053835	FEMALE QUICK COUPLER	14
0909092822	FRONT DISC SECTION	15
0909092823	REAR DISC SECTION	16
0511048366	OSCILLATING BEARING ASSY	17
0909092756	HYDRAULIC CIRCUIT WITH REAR COUPLING	18

FRAME ASSY



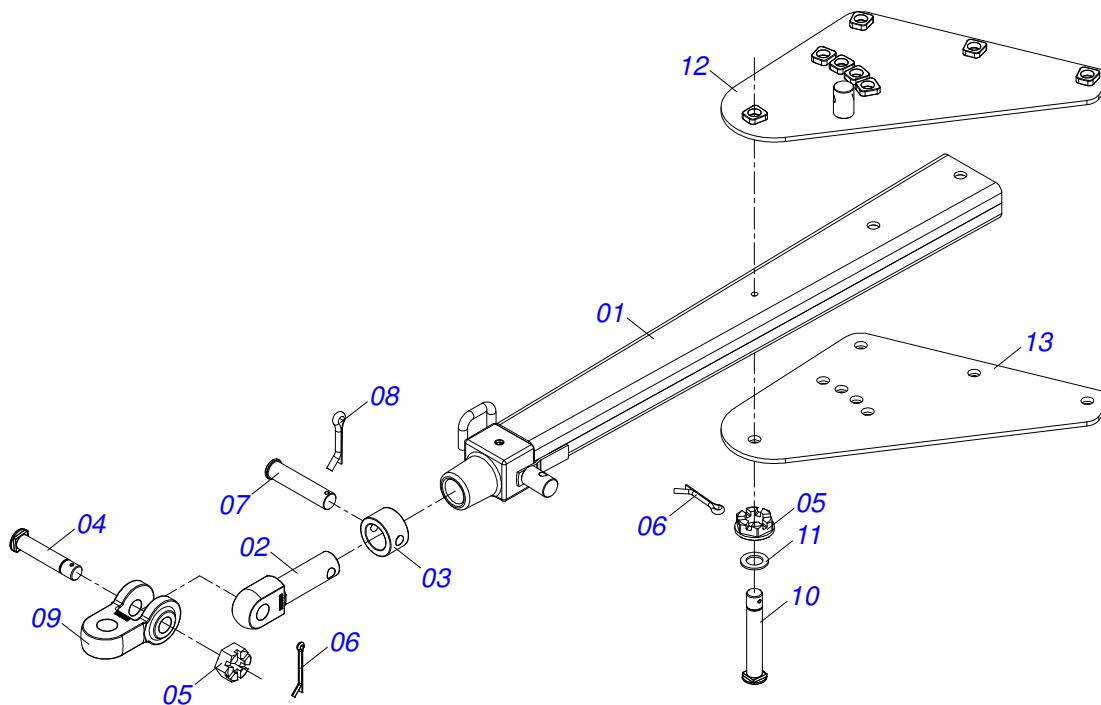
Item	Code	Description	See page	028	032	036	040	044	048
01	0521067801	FRAME		001	001	001	001	001	001
02	0521067805	FRONT FRAME		001	000	000	000	000	000
02.	0521067807	FRONT FRAME		000	001	000	000	000	000
02..	0521066681	FRONT FRAME		000	000	001	000	000	000
02...	0521066683	FRONT FRAME		000	000	000	001	000	000
02....	0521067809	FRONT FRAME		000	000	000	000	001	000
02.....	0521067811	FRONT FRAME		000	000	000	000	000	001
03	0521067806	REAR FRAME		001	000	000	000	000	000
03.	0521067808	REAR FRAME		000	001	000	000	000	000
03..	0521066682	REAR FRAME		000	000	001	000	000	000
03...	0521066684	REAR FRAME		000	000	000	001	000	000
03....	0521067810	REAR FRAME		000	000	000	000	001	000
03.....	0521067812	REAR FRAME		000	000	000	000	000	001
04	0521047325	FULL TRACTION BAR	2	001	001	001	001	001	001
05	0521062849	HOSE HOLDER ASSY		001	001	001	001	001	001
06	0503010023	SPRING WASHER		001	001	001	001	001	001
07	0503010014	3/4" NUT		001	001	001	001	001	001
08	0511048088	DRAWBAR JACK	3	001	001	001	001	001	001
09	0561014251	COUPLING SHAFT		001	001	001	001	001	001
10	0503030012	HAIR PIN		001	001	001	001	001	001
11	0503013150	1300 X 3/8 CHAIN		001	001	001	001	001	001
12	0521067800	BAR HITCH		001	001	001	001	001	001
13	0503010002	1800 GREASE FITTING		005	005	005	005	005	005
14	0531018100	37,50 X 200 COUPLING SHAFT		002	002	002	002	002	002
15	0501011301	1.1/2 UNC 6FPP 2.5/16 NUT		002	002	002	002	002	002
16	0503010010	1/4" X 2.1/2" COTTERPIN		002	002	002	002	002	002
17	0521067804	OIL DISTRIBUTOR DUCT		002	002	002	002	002	002
18	0502010477	UPPER CLIP		007	007	009	009	009	009
19	0503011103	7/16" X 2-1/2" BOLT		002	002	002	002	002	002
20	0503010180	7/16" SPRING WASHER		002	002	005	005	007	007
21	0561016693	TRANSPORT LOCK		002	002	002	002	002	002



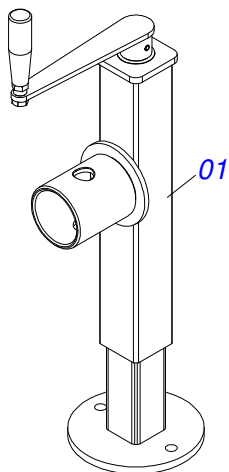
FRAME ASSY

0909092806

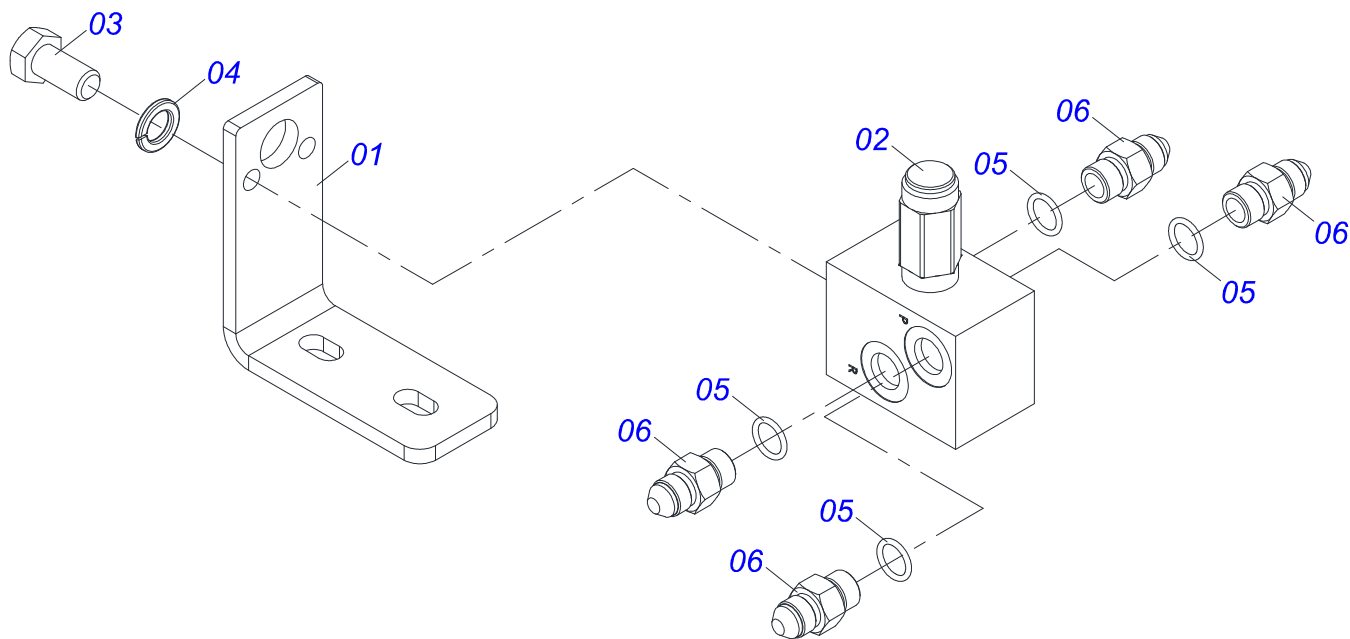
Item	Code	Description	See page	028	032	036	040	044	048
22	0541016844	FIXER LOCK		002	002	002	002	002	003
23	0503030285	HAIR PIN		003	003	003	003	003	003
24	0501041102	1-1/4" X 3-3/4" ASSY BOLT		008	008	008	008	008	008
24A	0501015348	1-1/4" X 3-3/4" BOLT		008	008	008	008	008	008
24B	0501010953	1-1/4" SQUARE WASHER		008	008	008	008	008	008
24C	0531010713	FLAT WASHER		008	008	008	008	008	008
24D	0503010070	SPRING WASHER		008	008	008	008	008	008
24E	0501010087	1.1/4" NUT		008	008	008	008	008	008
25	0511059196	VALVE FULL	4	001	001	001	001	001	001
26	0503011173	7/16" X 2" BOLT		002	002	002	002	002	002
27	0501012803	FLAT WASHER		002	002	002	002	002	002
28	0501047895	ROD STOP		004	004	004	004	004	006
29	0501047885	ROD STOP		002	002	002	002	002	003
30	0501047886	ROD STOP		002	002	002	002	002	003
31	0501047887	ROD STOP		002	002	002	002	002	003
32	0501047888	ROD STOP		002	002	002	002	002	003
33	0581010751	TRANSPORT LOCK		001	001	001	001	001	001
34	0521066624	FIXER SUPPORT LANTERN		002	002	002	002	002	002
35	0521066443	SUPPORT FIXER LANTERN		002	002	002	002	002	002
36	0501010098	HEX BOLT 3/4 UNC X 2 C S G.5 ZN		002	002	002	002	002	002
37	0503011082	C1/2" X 1.3/4" BOLT		004	004	004	004	004	004
38	0503010019	1/2" SPRING WASHER		004	004	004	004	004	004
39	0503010060	1/2" NUT		004	004	004	004	004	004
40	0909092814	HEAD ARTICULATED ASSY	5	001	001	001	001	001	001
41	0909092812	WHEEL ASSY	7	001	001	001	001	001	001
42	0503016137	1-1/4" WRENCH CABLE CYLINDRICAL		001	001	001	001	001	001
43	0541015451	2.3/8" X 2.3/4" WRENCH		001	001	001	001	001	001
44	0501011432	1-1/2" AND 1-5/8 GANG BOLT WRENCH		001	001	001	001	001	001
45	0501011431	1-3/4" GANG BOLT WRENCH		002	002	002	002	002	002
46	0503018438	1" WRENCH CYLINDRICAL HEX		001	001	001	001	001	001
47	0501052005	STABILIZER FOR GANG	8	001	001	001	001	001	001
48	0521810546	AXIS		002	002	002	002	002	002
49	0503010523	1/4" X 2" COTTERPIN		002	002	002	002	002	002
50	0909092813	REAR COUPLING KIT	13	001	001	001	001	001	001
51	0511065926	FRONT SCRAPER SUPPORT		014	016	018	020	022	024
52	0511065925	REAR SCRAPER SUPPORT		015	017	019	021	023	025
53	0561014263	CLEANER SHOVEL		029	033	037	041	045	049
54	0503012195	5/8" NUT		058	066	074	082	090	098
55	0503010027	SPRING WASHER		062	070	078	090	094	098
56	0503010013	5/8" NUT		116	132	148	164	180	196
57	0501012140	FLAT WASHER		070	082	090	098	110	118
58	0503013842	5/8" UNC X 1-3/4" BOLT		058	066	074	082	090	098
59	0503011135	7/16" X 1-1/2" BOLT		004	004	004	004	004	004
60	0909092822	FRONT DISC SECTION	15	001	001	001	001	001	001
61	0909092823	REAR DISC SECTION	16	001	001	001	001	001	001
62	0909092756	HYDRAULIC CIRCUIT WITH REAR COUPLING	18	001	001	001	001	001	001



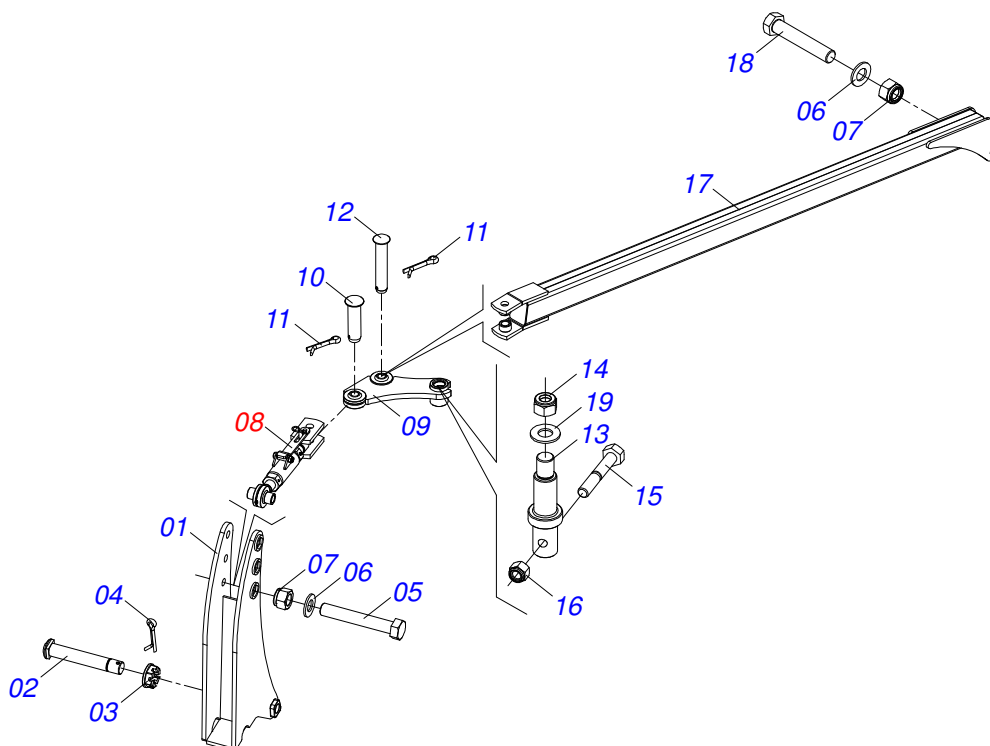
Item	Code	Description	See page	QT
001	0511071192	TRACTION BAR BODY	01	01
002	1902040223	PIN HITCH	01	01
003	1902040327	LOCK SLEEVE	01	01
004	0521012545	COUPLING SHAFT	01	01
005	0501011301	1.1/2 UNC 6FPP 2.5/16 NUT	06	06
006	0503010010	1/4" X 2.1/2" COTTERPIN	06	06
007	0511014902	COUPLING SHAFT	01	01
008	0503010571	1/4" X 1.1/2 COTTERPIN	01	01
009	1902040733	U COUPLING HOOK	01	01
010	0521011880	37,5 X 242 COUPLING SHAFT	05	05
011	0501012916	FLAT WASHER 38,50 X 66 X 4,75 ZN	05	05
012	0511067825	UPPER PLATE	01	01
013	0511067826	LOWER PLATE	01	01



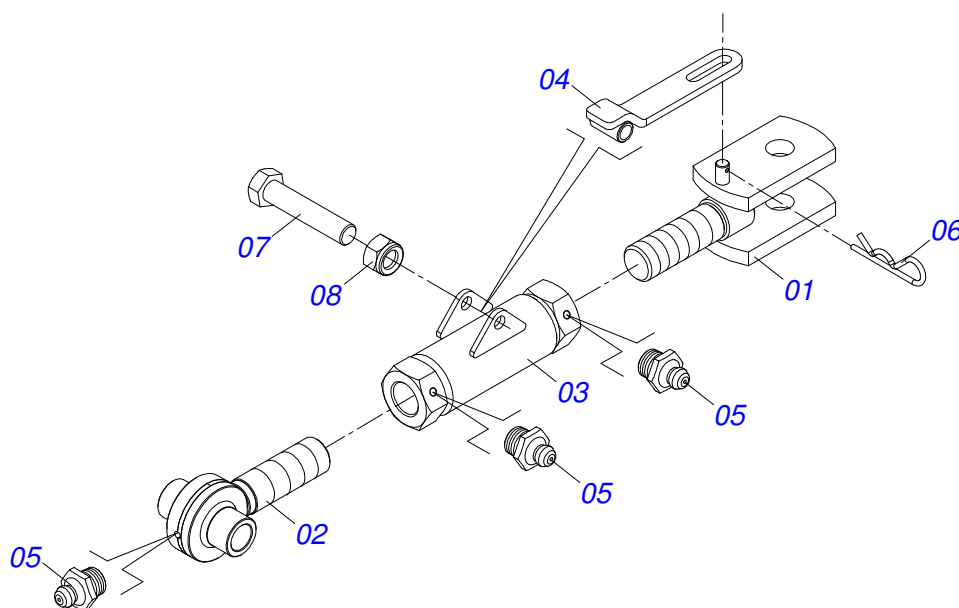
Item	Code	Description	See page	QT
01	0503062227	DRAWBAR JACK		01



Item	Code	Description	See page	QT
001	0581011745	VALVE SUPPORT		01
002	0503010919	DISCHARGE VALVE		01
003	0503011334	3/8" X 3/4" BOLT		02
004	0503010025	3/8 SPRING WASHER		02
005	0503010190	2-114 N 3006-9B O'RING		04
006	0501010617	3/4" NIPPLE		04

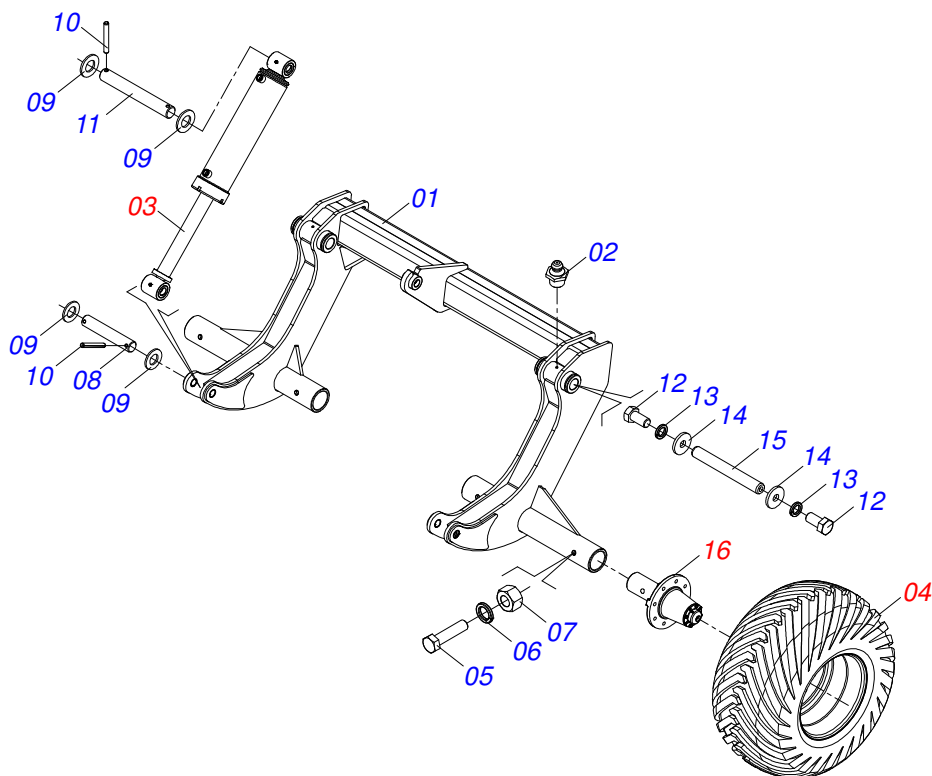


Item	Code	Description	See page	QT
01	0521066758	HEADER ARTICULATOR		01
02	0521012053	1.5" X 8.6" AXLE		01
03	0501011301	1.1/2 UNC 6FPP 2.5/16 NUT		01
04	0503010010	1/4" X 2.1/2" COTTERPIN		01
05	0521017351	1-1/4" X 8" BOLT		01
06	0501017779	FLAT WASHER		01
07	0503010817	1-1/4" SELF-ADJUSTING NUT		02
08	0511059199	AIR TURNBUCKLE STABILIZER BAR	6	01
09	0521066960	ARTICULADOR STABILIZER BAR		01
10	0521010780	1.2" X 4.5" COUPLING SHAFT		01
11	0503010523	1/4" X 2" COTTERPIN		02
12	0581011919	COUPLING SHAFT 31,75 X 170 ZN		01
13	0581011775	EJE PIVOT SHAFT STABILIZER BAR		01
14	0503010290	SELF ADJUSTING 1.1/2" UNF NUT		01
15	0501010216	3/4" X 4-1/2" BOLT		01
16	0503011075	NUT		01
17	0521067799	STABILIZER BAR		01
18	0503013321	SCREW 1.1/4 UNF X 7 C S G.8 ZN		01
19	0501010287	FLAT WASHER		01

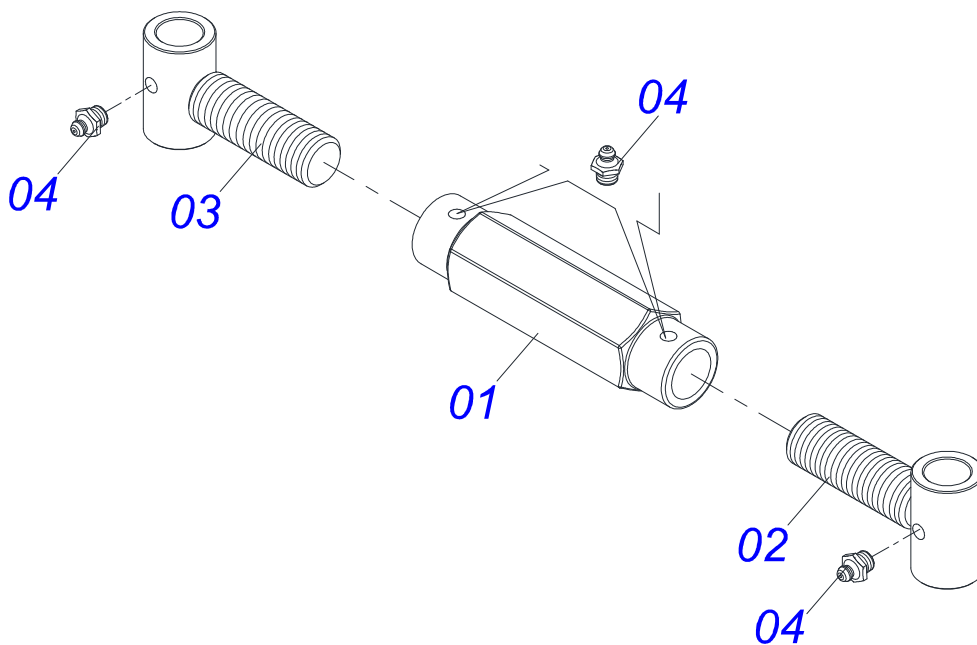


Item	Code	Description	See page	QT
001	0521066962	JACK CRANK C/O. R.1.3/4 ESQ GCRO 7010		01
002	0521066965	JACK CRANK NUT FIXER R.1.3/4 UNC DIR GCRO 7010		01
003	0521066963	ADJUSTMENT NUT R.1.3/4 UNC (245) GCRO 7010/13		01
004	0521066964	LEVER STABILIZER OF TENSOR REGULATOR		01
005	0503010002	1800 GREASE FITTING		03
006	0503030285	HAIR PIN		01
007	0503010806	5/8" X 3" BOLT		01
008	0503010878	5/8" SELF ALIGNING NUT		01

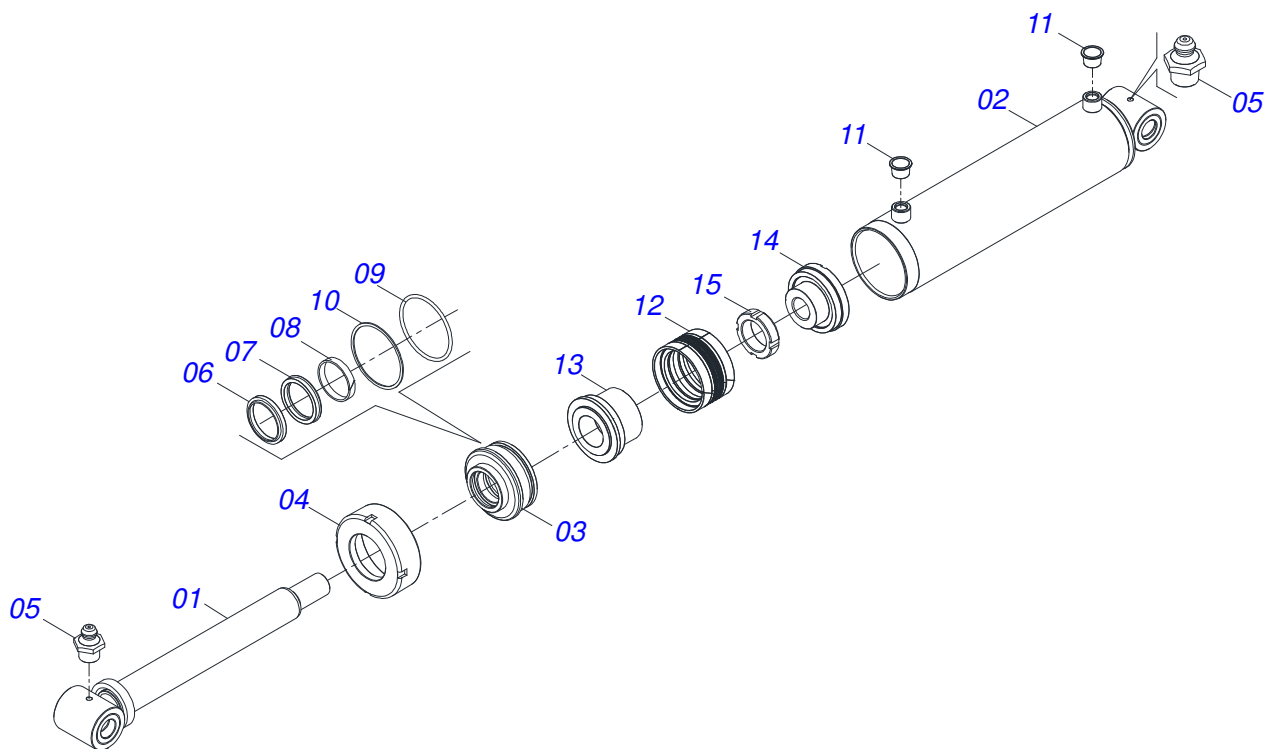
WHEEL ASSY



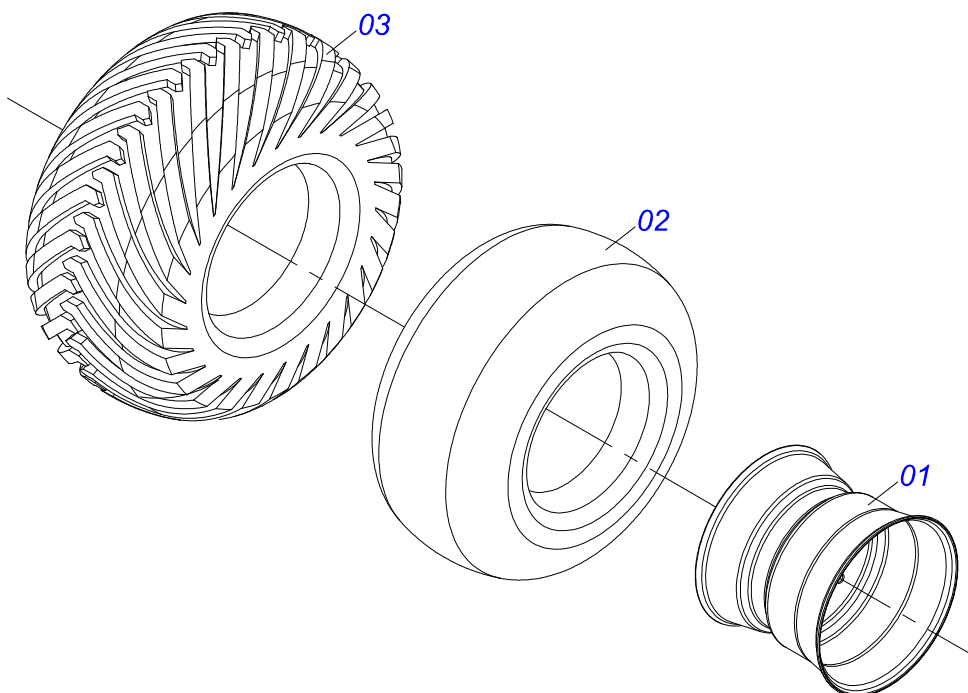
Item	Code	Description	See page	028	032	036	040	044	048
01	0521067803	CARRYNG-WHEELS		001	001	001	001	001	001
02	0503010002	1800 GREASE FITTING		002	002	002	002	002	002
03	0521051832	HYDRAULIC CYLINDER	9	002	002	002	002	002	002
04	0503060102	WHEEL AND TIRE	10	000	000	000	000	004	004
04.	0503060414	WHEEL AND TIRE	11	004	004	004	004	000	000
05	0503011198	C3/4" X 6" BOLT		004	004	004	004	004	004
06	0503010023	SPRING WASHER		004	004	004	004	004	004
07	0503010014	3/4" NUT		004	004	004	004	004	004
08	0531018101	1.2" X 6.3" PIVOT SHAFT		002	002	002	002	002	002
09	0501017779	FLAT WASHER		008	008	008	008	008	008
10	0503011877	0.3" X 2.4" SPRING PIN		008	008	008	008	008	008
11	0531018105	1.2" X 11.8" PIVOT SHAFT		002	002	002	002	002	002
12	0503011250	1" X 2" BOLT		004	004	004	004	004	004
13	0503010012	1" SPRING WASHER		004	004	004	004	004	004
14	0521011565	FLAT WASHER		004	004	004	004	004	004
15	0531018062	COUPLING SHAFT		002	002	002	002	002	002
16	0501056467	STUB SHAFT & HUB ASSY	12	004	004	004	004	004	004



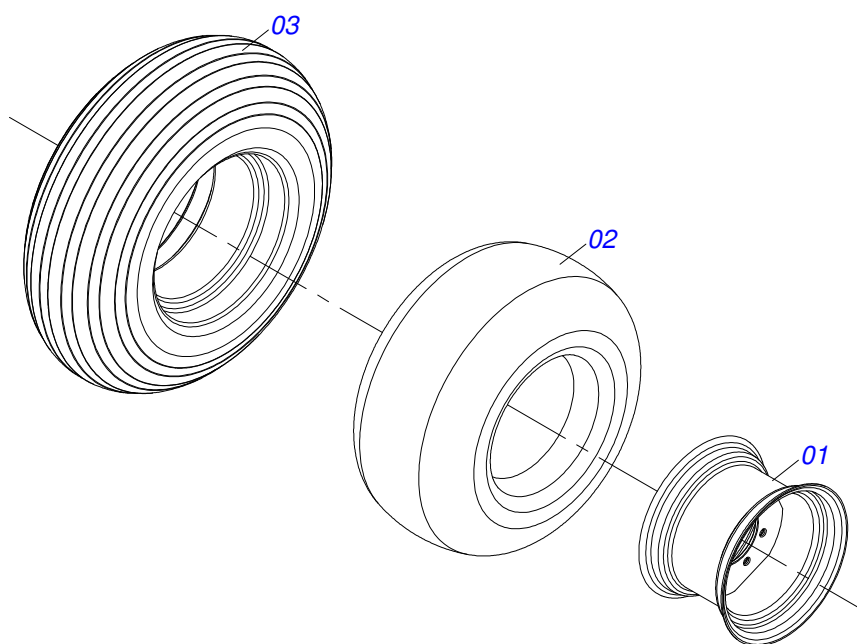
Item	Code	Description	See page	QT
01	0502011469	245 ADJUSTMENT NUT		01
02	0501069416	JACKET		01
03	0501069417	JACK CRANK		01
04	0503010002	1800 GREASE FITTING		04



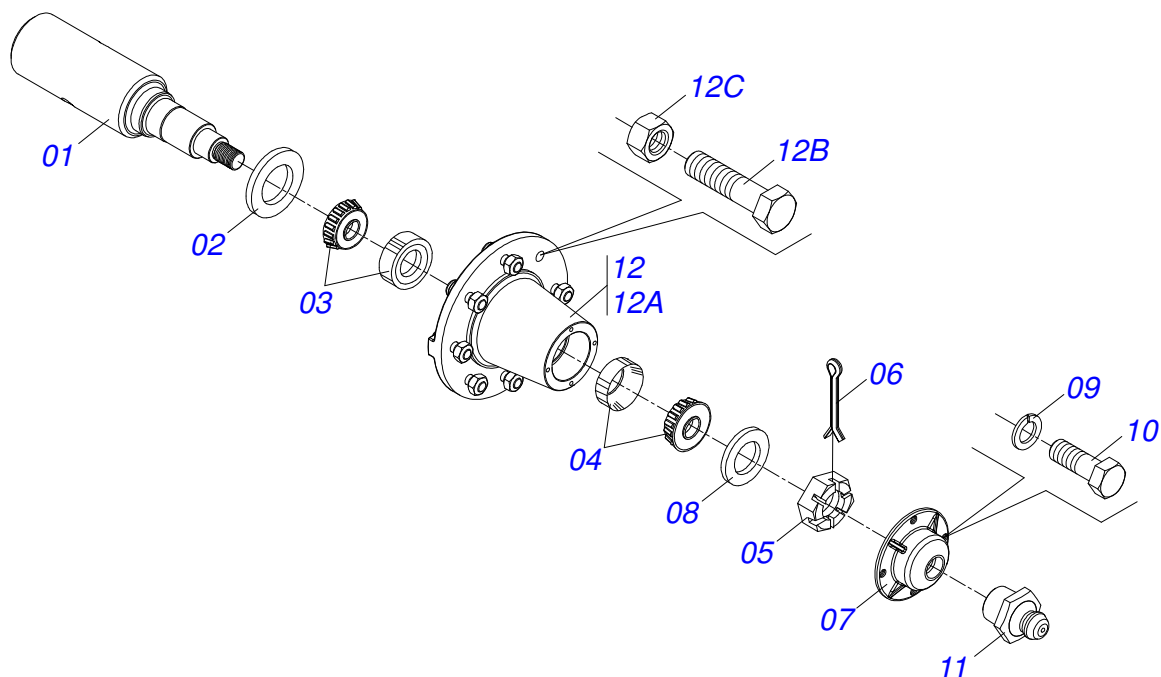
Item	Code	Description	See page	QT
001	0521061684	56,98 X 590,50 TURNBUCKLE		01
002	0521061685	114,30 X 500 CYLINDER CASE		01
003	0502012644	RING SUPPORT		01
004	0502011222	0.56" MOBILE COVER		01
005	0503010002	1800 GREASE FITTING		02
006	0503015715	SCRAPER SEALING		01
007	0503015642	U-CUP SEALING		01
008	0503015641	RING SLYDRING		00
009	0503011892	2-346 N 3006-9B O'RING		01
010	0503011893	8-346 BACK-UP RING		01
011	0503030384	CON N-001 PLUG		02
012	0503015640	SEALING SELEMASTER		01
013	0561016578	PISTON BODY		01
014	0581015283	BODY		01
015	0503819100	SCREW		01



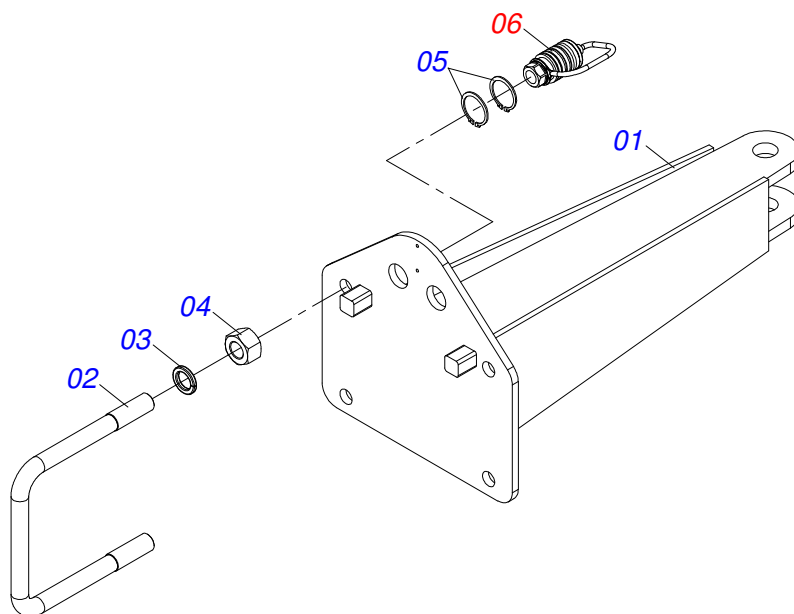
Item	Code	Description	See page	QT
001	0501069483	WHEEL		01
002	0503012112	400/60 - 15.5 TR 15 INNER TIRE		01
003	0503013119	CANVAS TIRE		01



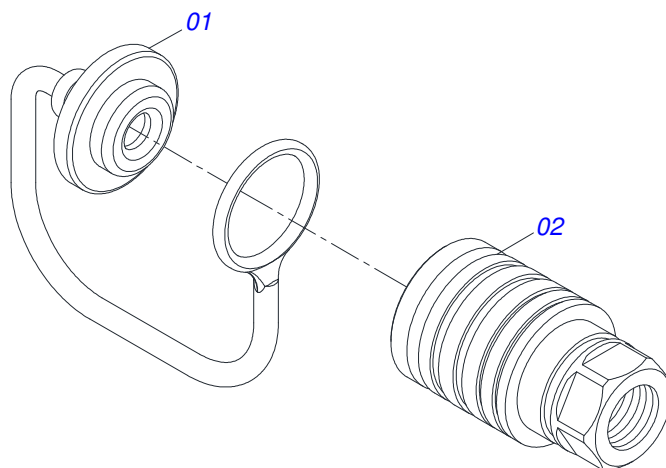
Item	Code	Description	See page	QT
001	0503012108	RODA 10 LB X 15 X 8F X 203 GCRO		01
002	0503010860	CAMARA AR 11L 15		01
003	0503011469	RIB TIRE 12L		01



Item	Code	Description	See page	QT
01	0541016566	POINT AXIS 3.1/2 X 375 GCRO 7010		01
02	0503013314	RETENTOR 5166-GB 63,5 X 110 X 13 ARCA		01
03	0503015290	3780/3720 ROLLER BEARING		01
04	0503014821	ROLLER BEARING		01
05	0503830009	1" X 0.9" CASTLE NUT		01
06	0503010018	5/32 X 1-1/2 COTTERPIN		01
07	0502020591	PROTECCION COVER		01
08	0511812492	FLAT WASHER		01
09	0503011444	SPRING WASHER		04
10	0503810358	5/16" X 7/8" UNC BOLT		04
11	0503010002	1800 GREASE FITTING		01
12	0501110738	CARRYING WHEEL HUB		01
12A	0502012260	CAIXA RODADO TRANSPORTE		01
12B	0501010186	PARAFUSO ROD 5/8UNF X 2.1/8CR		08
12C	0503010064	5/8 UNF CONIC NUT		08

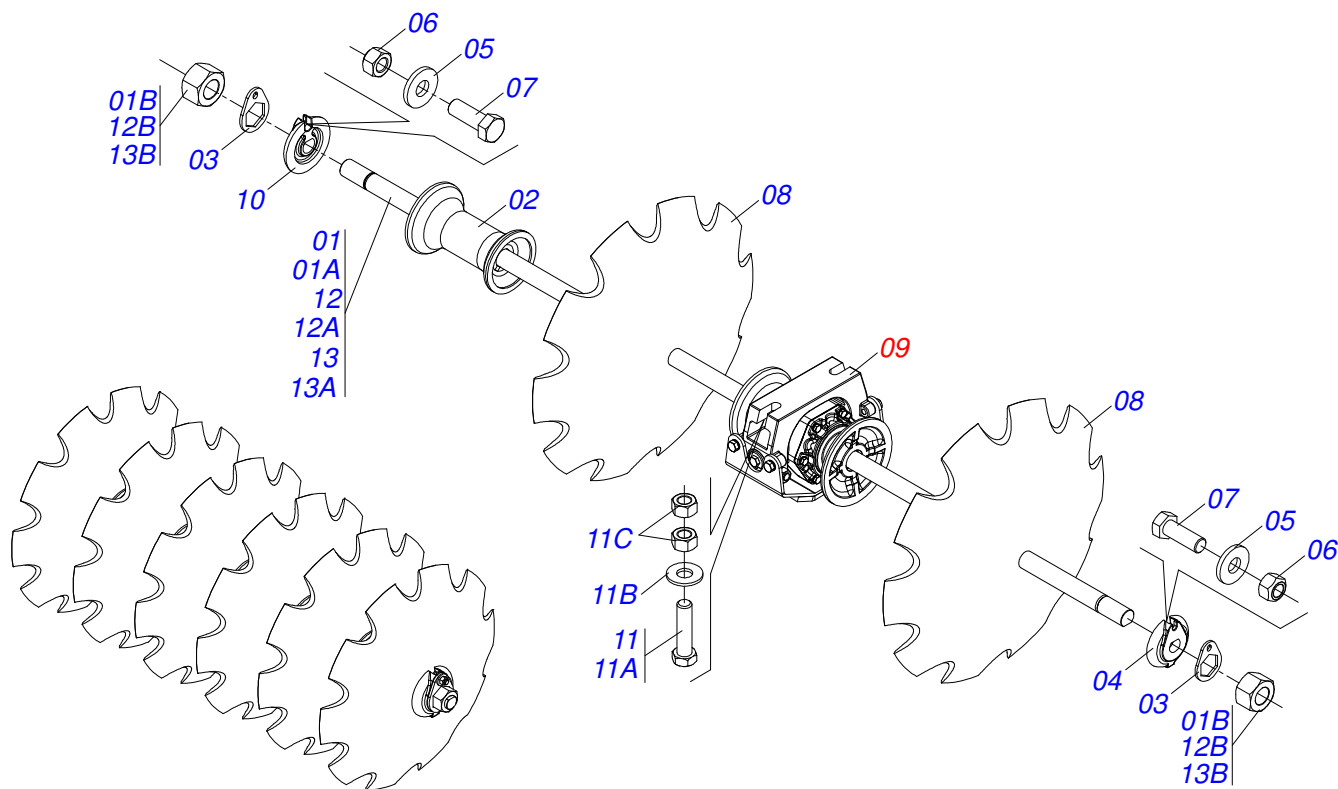


Item	Code	Description	See page	QT
01	0501069421	REAR HITCH GCRO		01
02	0541016679	7/8 UNF X 188,5 FASTENER		02
03	0503010408	7/8" SPRING WASHER		04
04	0503010558	7/8" NUT		04
05	0503010217	501040 CLAMPING RING (FOR AXLE)		04
06	0501053835	FEMALE QUICK COUPLER	14	02

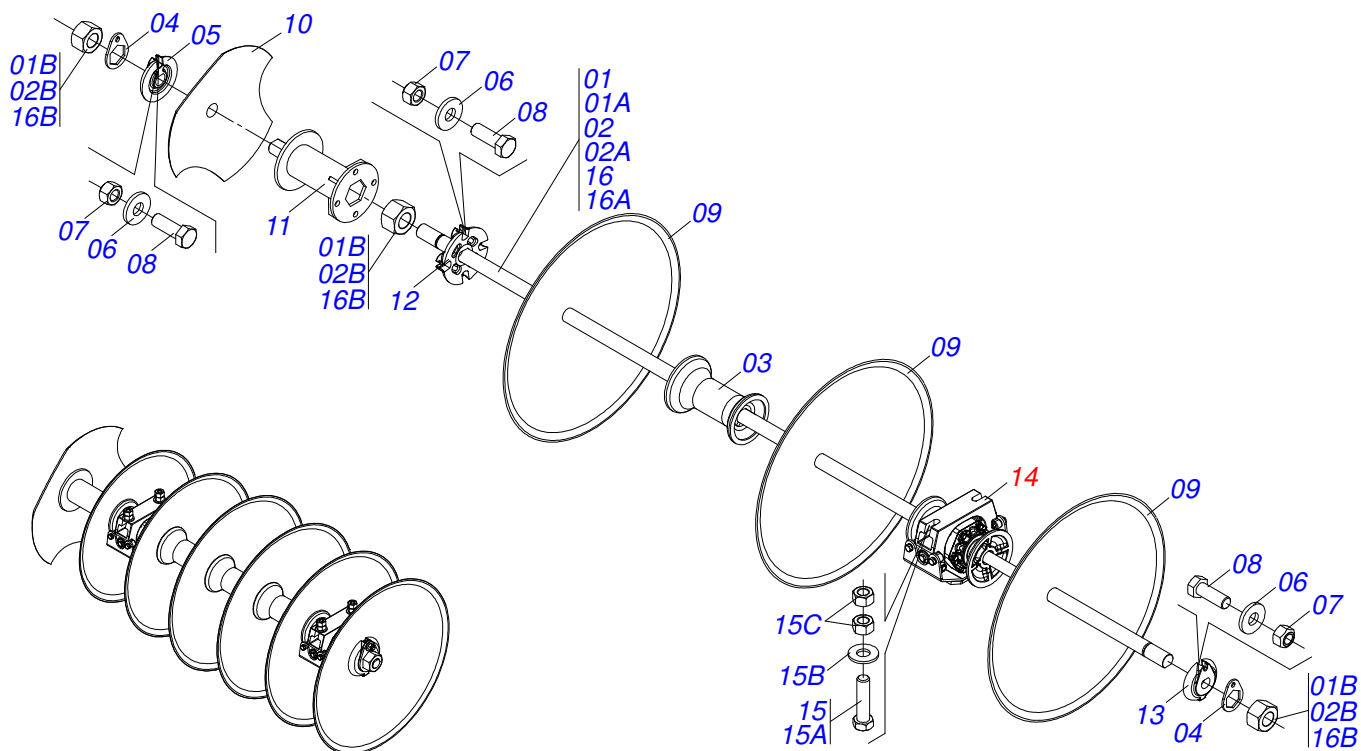


Item	Code	Description	See page	QT
01	0503011883	QUICK CONNECTION COVER		01
02	0503011628	FEMALE QUICK COUPLER		01

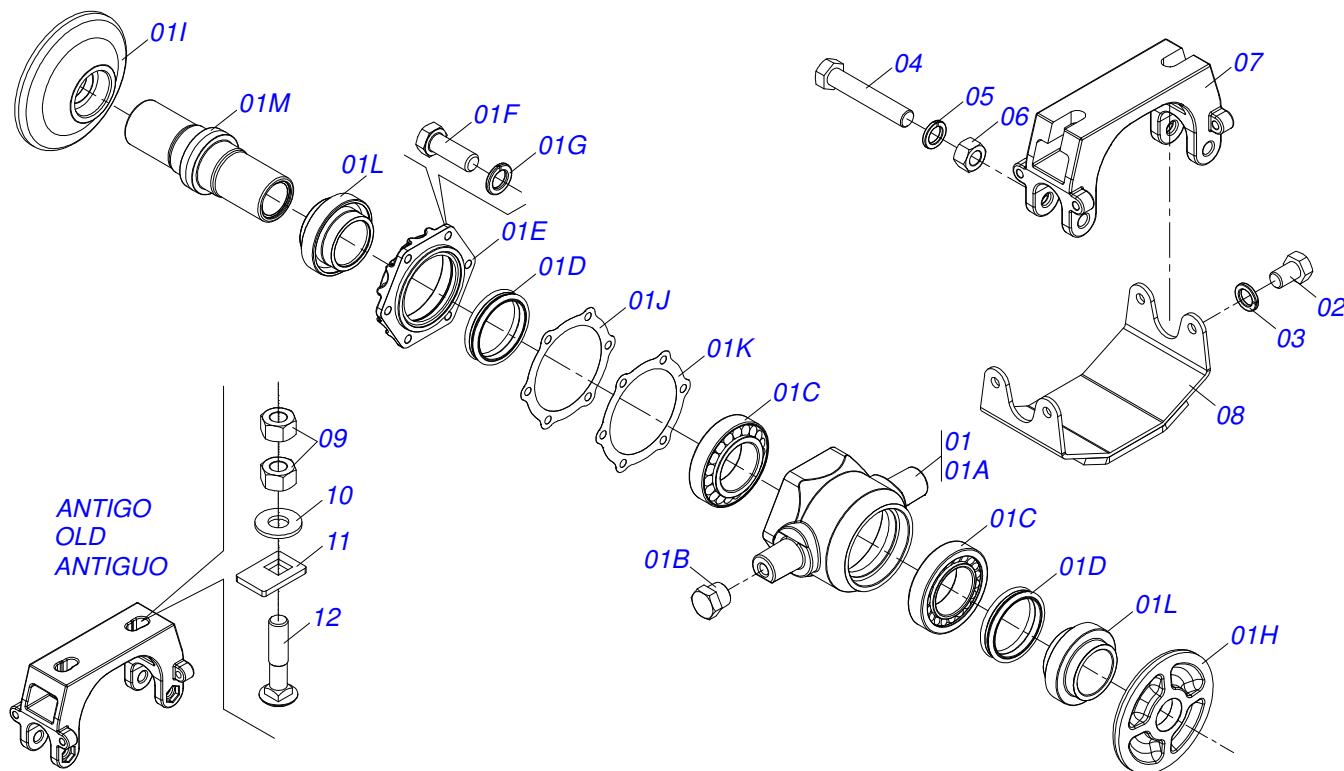
FRONT DISC SECTION



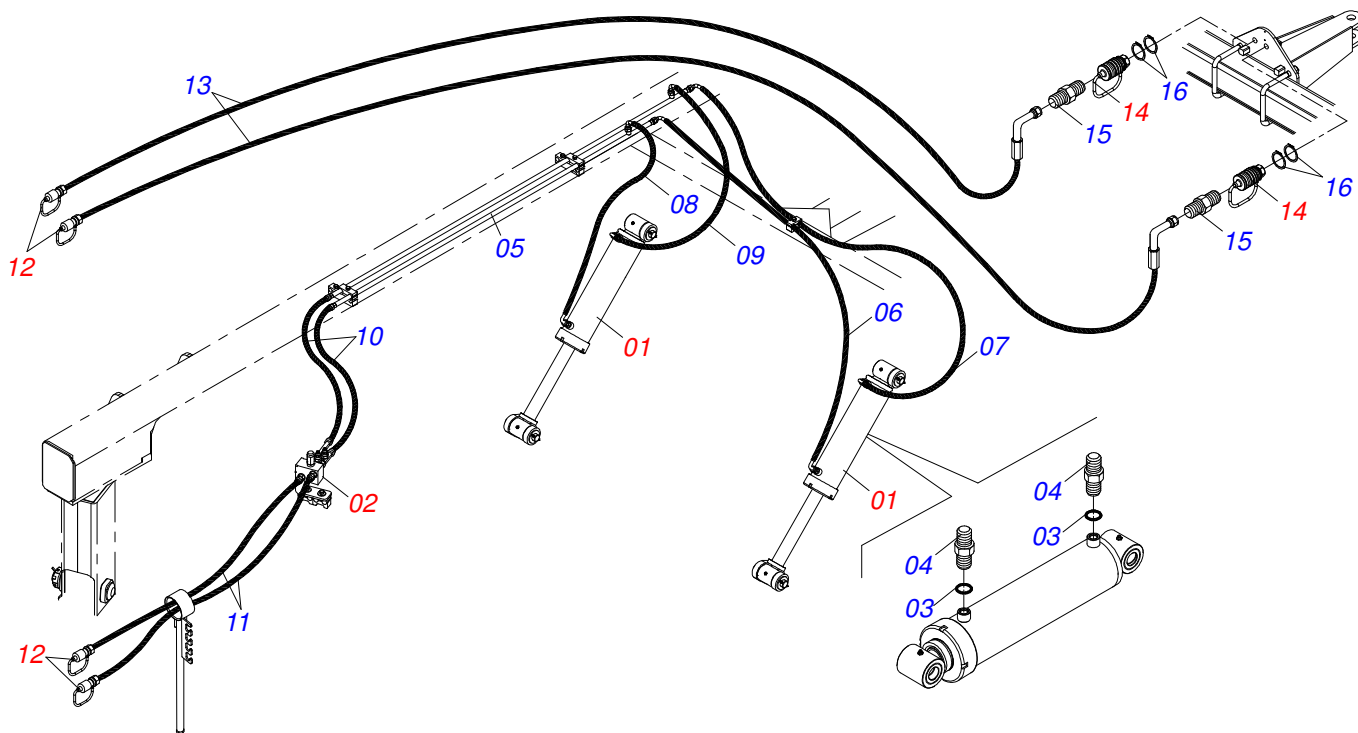
Item	Code	Description	See page	028	032	036	040	044	048
01	0501046859	1-5/8" X 70" AXLE WITH NUTS 2-3/4"		002	000	000	002	000	000
01A	0501015631	1-5/8" X 70" AXLE		002	000	000	002	000	000
01B	0502840640	1.5/8" 2.3/4" NUT		004	000	000	004	000	000
02	0502010703	10.35" 1-5/8" SPACER		008	007	009	011	010	012
03	0511014339	1-5/8" 2.8" NUT LOCK		004	006	006	006	008	008
04	0502011048	1-5/8" EXTERNAL AXLE WASHER		002	003	003	003	004	004
05	0501012140	FLAT WASHER		004	006	006	006	008	008
06	0503012412	HEX SELF ADJUSTING NUT 5/8 UNC S		004	006	006	006	008	008
07	0503010232	5/8" X 1.3/4" BOLT		004	006	006	006	008	008
08	0602040155	30 X 7,5 NOTCHED DISC BLADE		014	016	018	020	022	024
09	0511048366	OSCILLATING BEARING ASSY	17	004	006	006	006	008	008
10	0502011047	1-5/8" INNER AXLE WASHER		002	003	003	003	004	004
11	0521047424	SCREW ASSY		008	012	012	012	016	016
11A	0501010500	3/4"X3"BOLT		008	012	012	012	016	016
11B	0501010322	FLAT WASHER		008	012	012	012	016	016
11C	0503012183	SNC 3/4" ZIN 1K03097 NUT		016	024	024	024	032	032
12	0501046856	1-5/8" X 59" AXLE WITH NUTS 2-3/4"		000	001	003	001	002	004
12A	0501019012	1-5/8" X 59" AXLE		000	001	003	001	002	004
12B	0502040640	1.5/8" 2.3/4" NUT		000	002	006	002	004	008
13	0501046854	1-5/8" X 48" AXLE WITH NUTS 2-3/4"		000	002	000	000	002	000
13A	0501019016	1-5/8 X 48" AXLE		000	002	000	000	002	000
13B	0502040640	1.5/8" 2.3/4" NUT		000	004	000	000	004	000



Item	Code	Description	See page	028	032	036	040	044	048
01	0501046856	1-5/8" X 59" AXLE WITH NUTS 2-3/4		000	001	003	001	002	004
01A	0501019012	1-5/8" X 59" AXLE		000	001	003	001	002	004
01B	0502840640	1.5/8" 2.3/4" NUT		000	002	006	002	004	008
02	0501046859	1-5/8" X 70" AXLE WITH NUTS 2-3/4"		002	000	000	002	000	000
02A	0501015631	1-5/8" X 70" AXLE		002	000	000	002	000	000
02B	0502040640	1.5/8" 2.3/4" NUT		004	000	000	004	000	000
03	0502010703	10.35" 1-5/8" SPACER		008	007	009	011	010	012
04	0511014339	1-5/8" 2.8" NUT LOCK		004	006	006	006	008	008
05	0502011048	1-5/8" EXTERNAL AXLE WASHER		002	003	003	003	004	004
06	0501012140	FLAT WASHER		008	010	010	010	012	012
07	0503012412	HEX SELF ADJUSTING NUT 5/8 UNC S		008	010	010	010	012	012
08	0503010232	5/8" X 1.3/4" BOLT		008	010	010	010	012	012
09	0601042074	DL30X7,5 C105AF02FR1.11/16 TATU		012	014	016	018	020	022
09.	0601039833	DL28X7,5 C102AF02FR1.11/16 TATU		001	001	001	001	001	001
09..	0601033215	26"X 0.2" PLAIN DISC BLADE		001	001	001	001	001	001
10	0602030445	24 X 6 NOTCHED DISC BLADE		001	001	001	001	001	001
11	0511067146	10.35" AXLE 1-5/8" SPACER		001	001	001	001	001	001
12	0502012377	1-5/8" EXTERNAL AXLE LOK		001	001	001	001	001	001
13	0502011047	1-5/8" INNER AXLE WASHER		002	003	003	003	004	004
14	0511048366	OSCILLATING BEARING ASSY	17	004	006	006	006	008	008
15	0521047424	SCREW ASSY		008	012	012	012	016	016
15A	0501010500	3/4"X3"BOLT		008	012	012	012	016	016
15B	0501010322	FLAT WASHER		008	012	012	012	016	016
15C	0503012183	SNC 3/4" ZIN 1K03097 NUT		016	024	024	024	032	032
16	0501046854	1-5/8" X 48" AXLE WITH NUTS 2-3/4		000	002	000	000	002	000
16A	0501019016	1-5/8 X 48" AXLE		000	002	000	000	002	000
16B	0502040640	1.5/8" 2.3/4" NUT		000	004	000	000	004	000



Item	Code	Description	See page	QT
01	0501059723	OSCILLATING BEARING		01
01A	0502012343	AGRICULTURAL HOUSING BEARING		01
01B	0503010856	OIL PLUG		02
01C	0503013496	3982/3920 ROLLER BEARING		02
01D	0503030027	DUO-CONE SEAL		02
01E	0502020161	WEAR PLATE BEARING		01
01F	0503010237	3/8" X 1" BOLT		06
01G	0503011443	SPRING WASHER		06
01H	0502040240	INNER FLANGE		01
01I	0502040239	OUTER FLANGE		01
01J	0503030030	5.6" X 4.4" X 0.01" GASKET		01
01K	0503030685	5.5" X 4.4" X 0.003" GASKET		01
01L	0502010736	SEAL RETAINER		02
01M	0502010740	AXLE TK		01
02	0503011401	1/2" X 3/4" BOLT		04
03	0503010019	1/2" SPRING WASHER		04
04	0503010762	5/8" X 3-12" BOLT		02
05	0503010027	SPRING WASHER		02
06	0503010013	5/8" NUT		02
07	0502012626	CENTER OSCILLATING BEARING SUPPORT		01
08	0521067341	BEARING SWING COVER WITH ENHANCED		01
09	0503010014	3/4" NUT		04
10	0501010322	FLAT WASHER		02
11	0541014269	3/4 SQUARE WASHER		02
12	0501010950	3/4" X 3-1/2" BOLT		02



Item	Code	Description	See page	QT
01	0511048619	HYDRAULIC CYLINDER		02
02	0511059196	VALVE FULL	4	01
03	0503010190	2-114 N 3006-9B O'RING		04
04	0501010617	3/4" NIPPLE		04
05	0521066937	DUCT DISTRIBUTOR OF OIL		02
06	0501080370	TC-TC HOSE ASSY		01
07	0501080644	3/8" X 78.7" TC-TC HOSE ASSY		01
08	0501080065	3/8 X 1200 TC-TC HOSE ASSY		01
09	0501082058	HOSE 3/8 X 800 TC-TC		01
10	0501080106	TR-TR HOSE ASSY		02
11	0501080205	HOSE 3/8 X 5500 TR-TM		02
12	0501053834	MALE QUICK COUPLING AGRICULTURAL WITH COVER - 1/2 NPT		04
13	0501081322	3/8" X 11500 TC-TM HOSE		02
14	0501053835	FEMALE QUICK COUPLER	14	02
15	0561014252	3/4 UNF X 44 NIPPLE WITH REDUCTION		02
16	0503010217	501040 CLAMPING RING (FOR AXLE)		04



MARCHESAN IMPLEMENTOS E MÁQUINAS AGRÍCOLAS TATU S.A.

AV. Marchesan, 1979 - Post office box, 131 - CEP 15994-900 - Matão - SP - Brazil

Phone +55 16.3382-8282

(FAX Parts) + 55 16.3382. 8297 - (Export) + 55 16.3382.1003

e.mail: tatu@marchesan.com.br www.marchesan.com.br

Technical Publications: Elaboration

ALESSANDRA PATRICIA KAWAHARA CARRILI

Technical Publications: Revision

JOSÉ DOMINGOS GASPARI

Contact Catálogo:

E-mail = jgaspari@marchesan.com.br

**ORIGINAL PARTS
TATU**

