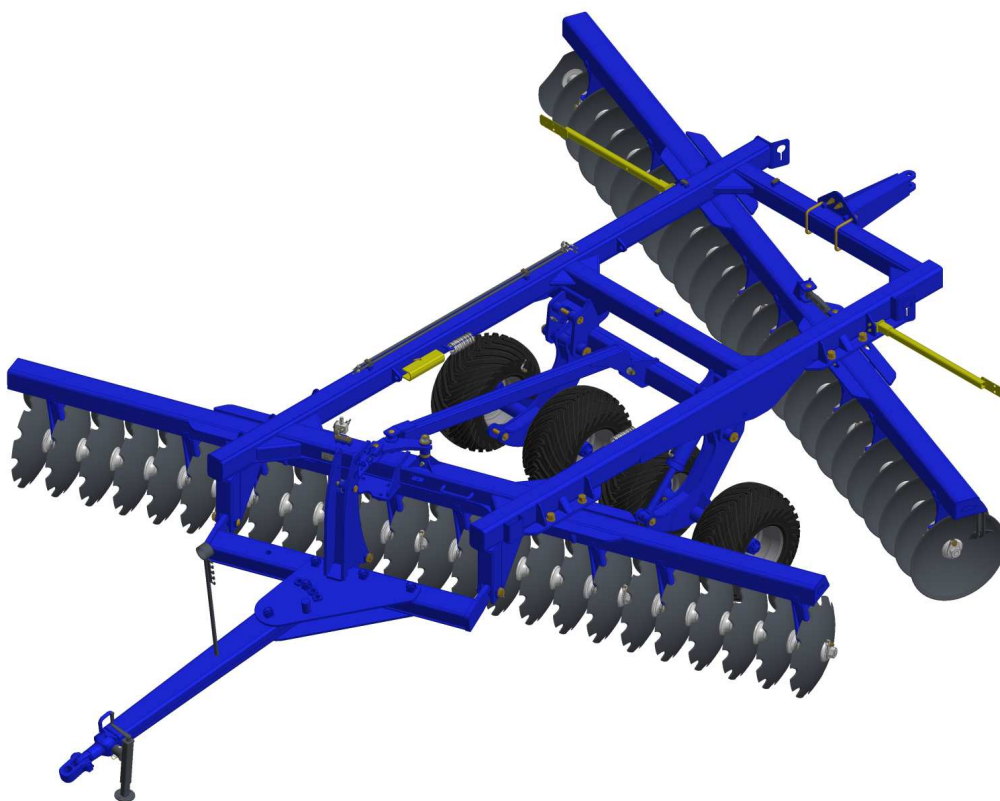


PARTS CATALOG

OFFSET DISK HARROW

**GCRO 7010 (AXLE 1.5/8") RIGID
MECHANICAL 32-36-40 DISCS**

Code: 0501091973



Series: S-0915

Rev.: 00

Date Rev.: AGOSTO/2017

**ORIGINAL PARTS
TATU**



PRODUCTS

Code	Description
0102560222	GCRO 7010 36X28X7,5 DMO ESPECIAL S-0915
0102560221	GCRO 7010 36X28X7,5 DMO ESPECIAL S-0915
0102560182	GCRO 7010 40X28X7,5 DMO ESPECIAL S-0915
0102560220	GCRO 7010 40X28X7,5 DMO ESPECIAL S-0915
0102560218	GCRO 7010 40X28X7,5 DMO ESPECIAL S-0915
0102560227	GCRO 7010 40X30X7,5 DMO ESPECIAL S-0915
0102560219	GCRO 7010 40X30X7,5 DMO ESPECIAL S-0915
0102560234	GCRO 7010 48X307,5 DMO ESPECIAL S-0915
0102560233	GCRO 7010 48X30X7,5 DMO ESPECIAL S-0915

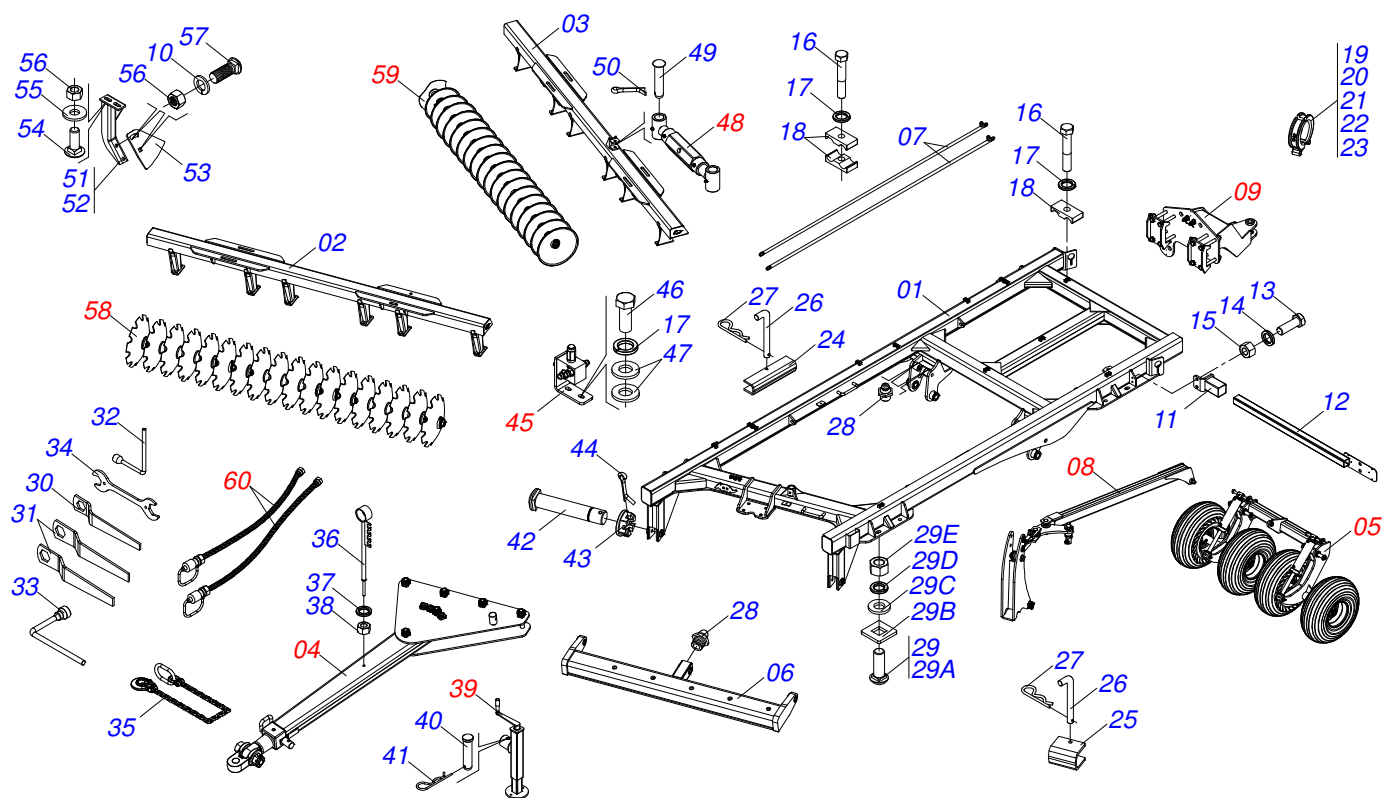
ATTENTION: **IMPORTANT**

MARCHESAN S/A RESERVES THE RIGHT AT ANY TIME TO MAKE IMPROVEMENTS IN THE DESIGN, MATERIAL OR SPECIFICATIONS OF MACHINERY, EQUIPMENT OR PARTS WITHOUT THEREBY BECOMING LIABLE TO MAKE SIMILAR CHANGES IN MACHINERY, EQUIPMENT OR PARTS PREVIOUSLY SOLD.

INDEX

0909092748	FRAME ASSY	1
0511041592	DRAWBAR ASSY	2
0909092739	WHEEL ASSY	3
0501052005	STABILIZER FOR GANG	4
0511059196	VALVE FULL	5
0511048088	DRAWBAR JACK	6
0521051832	HYDRAULIC CYLINDER	7
0503060102	WHEEL AND TIRE	8
0501056467	STUB SHAFT & HUB ASSY	9
0909092749	HEADER ARTICULATOR ASSY	10
0511059199	AIR TURNBUCKLE STABILIZER BAR	11
0909092741	REAR COUPLING KIT	12
0501053835	FEMALE QUICK COUPLER	13
0909092751	FRONT DISC SECTION	14
0909092753	REAR DISC SECTION	15
0511048366	OSCILLATING BEARING ASSY	16
0909092755	HYDRAULIC CIRCUIT	17
0909092756	HYDRAULIC CIRCUIT WITH REAR COUPLING	18

FRAME ASSY



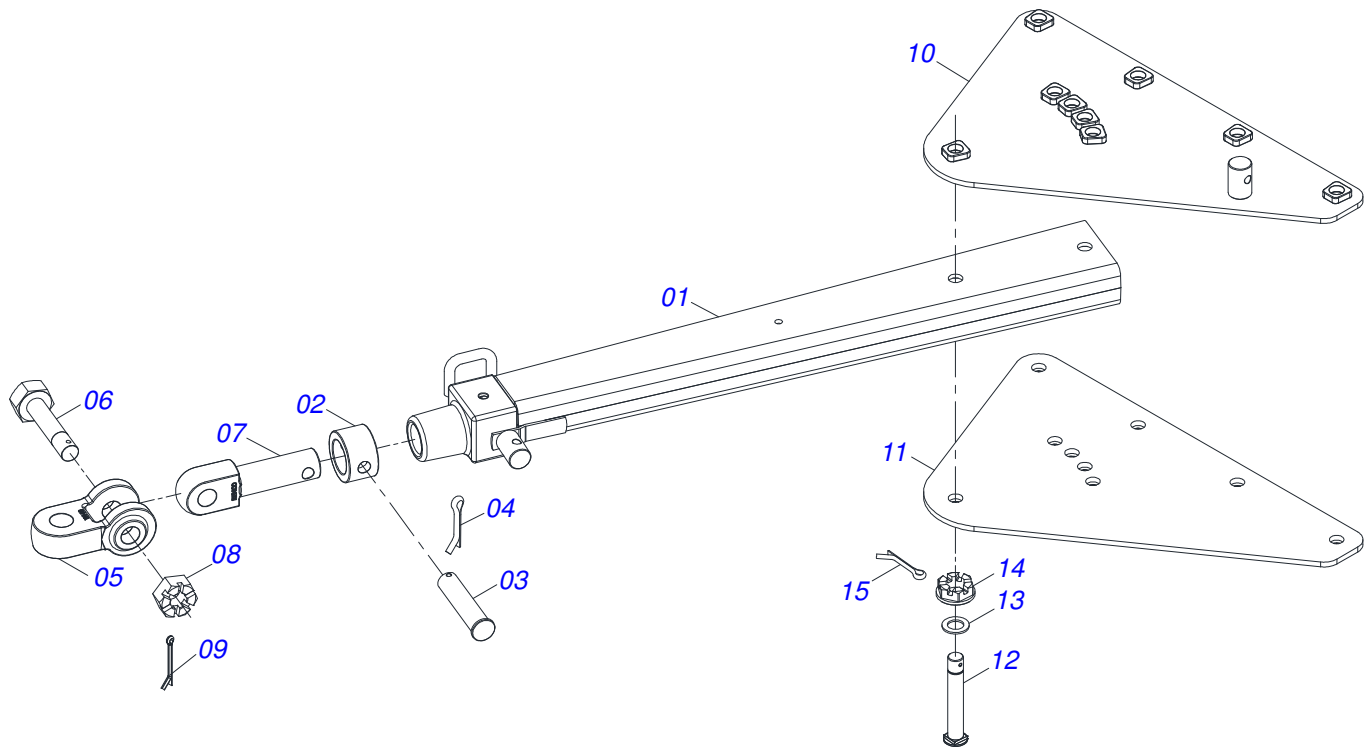
Item	Code	Description	See page	036	040	048
01	0521066477	GCRO 7010 FRAME		001	001	001
02	0521066681	FRONT FRAME		001	000	000
02.	0521066683	FRONT FRAME		000	001	000
02..	0511066043	FRONT FRAME		000	000	001
03	0521066682	REAR FRAME		001	000	000
03.	0521066684	REAR FRAME		000	001	000
03..	0511066044	REAR FRAME		000	000	001
04	0511041592	DRAWBAR ASSY	2	001	001	001
05	0909092739	WHEEL ASSY	3	001	001	001
06	0521066494	HITCH BAR		001	001	001
07	0521066937	DUCT DISTRIBUTOR OF OIL		002	002	002
08	0909092749	HEADER ARTICULATOR ASSY	10	001	001	001
09	0909092741	REAR COUPLING KIT	12	001	001	001
10	0503010027	SPRING WASHER		078	098	098
11	0521066624	FIXER SUPPORT LANTERN		002	002	002
12	0521066443	SUPPORT FIXER LANTERN		002	002	002
13	0503011082	C1/2" X 1.3/4" BOLT		004	004	004
14	0503010019	1/2" SPRING WASHER		004	004	004
15	0503010060	1/2" NUT		004	004	004
16	0503011103	7/16" X 2-1/2" BOLT		002	002	002
17	0503010180	7/16" SPRING WASHER		007	007	007
18	0502010477	UPPER CLIP		009	009	007
19	0501047895	ROD STOP		006	006	004
20	0501047885	ROD STOP		003	003	002
21	0501047886	ROD STOP		003	003	002
22	0501047887	ROD STOP		003	003	002
23	0501047888	ROD STOP		003	003	002
24	0561016693	TRANSPORT LOCK		002	002	002
25	0581010751	TRANSPORT LOCK		001	001	001
26	0541016844	FIXER LOCK		003	003	003
27	0503030285	HAIR PIN		003	003	003

**FRAME ASSY**

0909092748

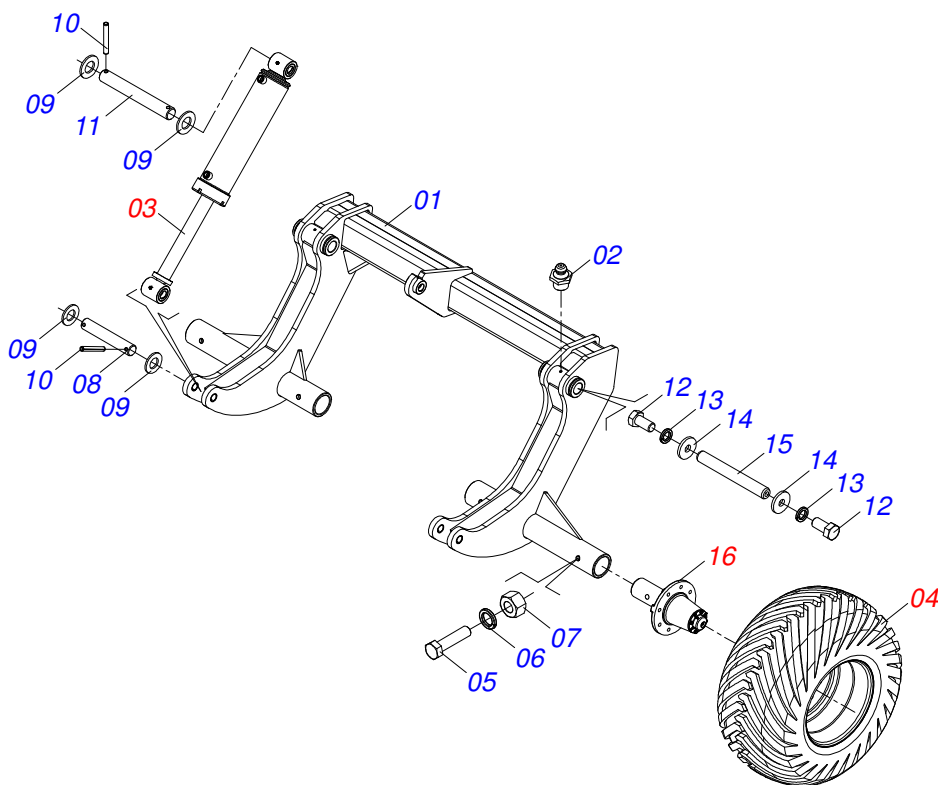
Item	Code	Description	See page	036	040	048
28	0503010002	1800 GREASE FITTING		015	015	015
29	0501041102	1-1/4" X 3-3/4" ASSY BOLT		008	008	008
29A	0501015348	1-1/4" X 3-3/4" BOLT		008	008	008
29B	0501010953	1-1/4" SQUARE WASHER		008	008	008
29C	0531010713	FLAT WASHER		008	008	008
29D	0503010070	SPRING WASHER		008	008	008
29E	0501010087	1.1/4" NUT		008	008	008
30	0501011432	1-1/2" AND 1-5/8 GANG BOLT WRENCH		001	001	001
31	0501011431	1-3/4" GANG BOLT WRENCH		002	002	002
32	0503018438	1" WRENCH CYLINDRICAL HEX		001	001	001
33	0503016137	1-1/4" WRENCH CABLE CYLINDRICAL		001	001	001
34	0541015451	2.3/8" X 2.3/4" WRENCH		001	001	001
35	0503013150	1300 X 3/8 CHAIN		001	001	001
36	0521062849	HOSE HOLDER ASSY		001	001	001
37	0503010023	SPRING WASHER		007	007	007
38	0503010014	3/4" NUT		005	005	005
39	0511048088	DRAWBAR JACK	6	001	001	001
40	0561014251	COUPLING SHAFT		001	001	001
41	0503030012	HAIR PIN		001	001	001
42	0531018100	37,50 X 200 COUPLING SHAFT		002	002	002
43	0501011301	1.1/2 UNC 6FPP 2.5/16 NUT		002	002	002
44	0503010010	1/4" X 2.1/2" COTTERPIN		002	002	002
45	0511059196	VALVE FULL	5	001	001	001
46	0503011135	7/16" X 1-1/2" BOLT		003	003	003
47	0501012803	FLAT WASHER		002	002	002
48	0501052005	STABILIZER FOR GANG	4	001	001	001
49	0521810546	AXIS		002	002	002
50	0503010523	1/4" X 2" COTTERPIN		004	004	004
51	0511065926	FRONT SCRAPER SUPPORT		018	020	024
52	0511065925	REAR SCRAPER SUPPORT		019	021	025
53	0561014263	CLEANER SHOVEL		037	041	049
54	0503013842	5/8" UNC X 1-3/4" BOLT		074	082	098
55	0501012140	FLAT WASHER		074	082	098
56	0503010013	5/8" NUT		148	164	196
57	0503012195	5/8" NUT		074	082	098
58	0909092742	FRONT DISC SECTION		001	001	001
59	0909092743	REAR DISC SECTION		001	001	001
60	0909092744	HYDRAULIC CIRCUIT		001	001	001
60.	0909092729	HYDRAULIC CIRCUIT WITH REAR COUPLING		001	001	001

DRAWBAR ASSY

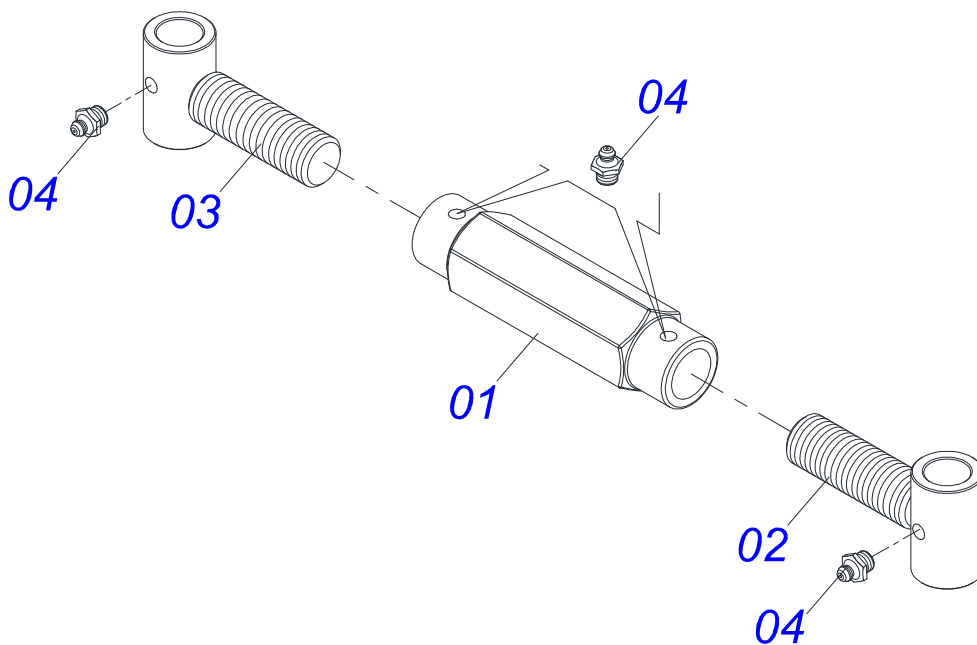


Item	Code	Description	See page	QT
001	0511064669	DRAWBAR ASSY		01
002	0502040263	ANEL TRAVA ENGATE		01
003	0561017306	COUPLING SHAFT		01
004	0503010523	1/4" X 2" COTTERPIN		01
005	0502040293	YH-90 CLEVIS		01
006	0511067199	2" BOLT		01
007	0502040264	DRAWBOLT		01
008	0502040558	2" CASTLE NUT		01
009	0503010074	3/8 X 0,15" COTTERPIN		01
010	0511064659	UPPER PLATE		01
011	0511064658	LOWER PLATE		01
012	0521011880	37,5 X 242 COUPLING SHAFT		06
013	0501012916	FLAT WASHER 38,50 X 66 X 4,75 ZN		06
014	0501011301	1.1/2 UNC 6FPP 2.5/16 NUT		06
015	0503010010	1/4" X 2.1/2" COTTERPIN		06

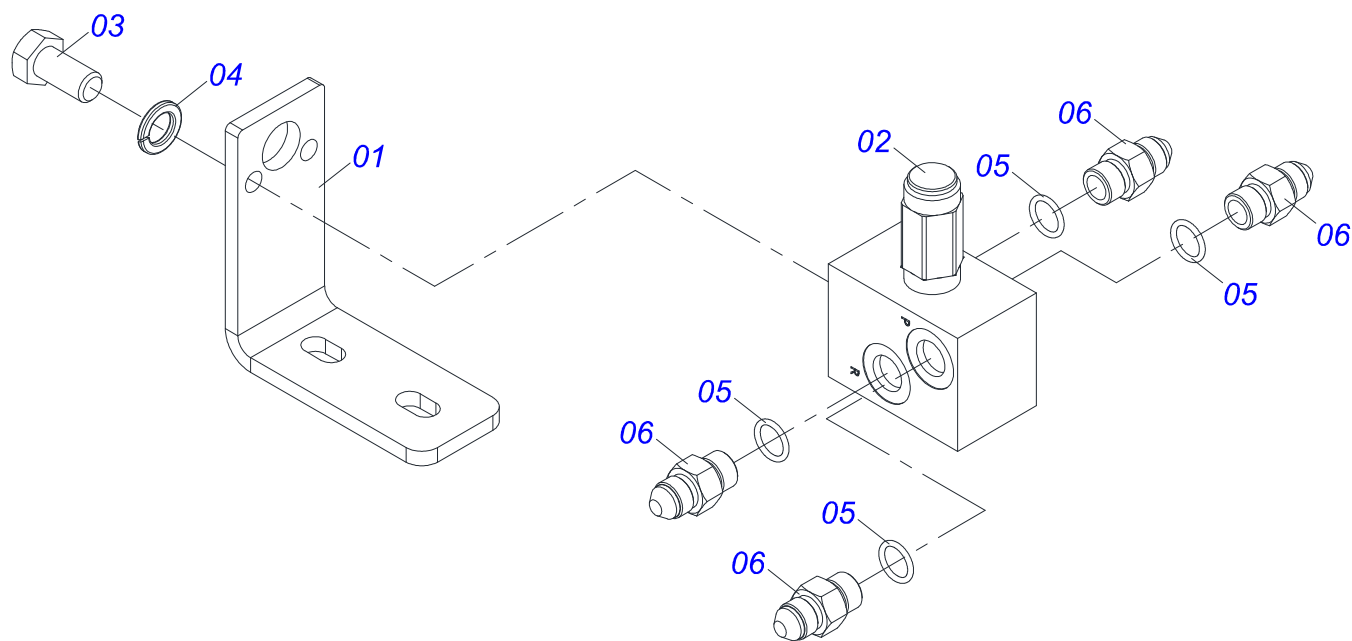
WHEEL ASSY



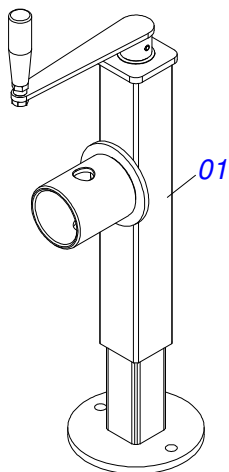
Item	Code	Description	See page	QT
01	0521066478	GCRO 7010 CARRYNG-WHEELS		01
02	0503010002	1800 GREASE FITTING		02
03	0521051832	HYDRAULIC CYLINDER	7	02
04	0503060102	WHEEL AND TIRE	8	04
05	0503011198	C3/4" X 6" BOLT		04
06	0503010023	SPRING WASHER		04
07	0503010014	3/4" NUT		04
08	0531018101	1.2" X 6.3" PIVOT SHAFT		02
09	0501017779	FLAT WASHER		08
10	0503011877	0.3" X 2.4" SPRING PIN		08
11	0531018105	1.2" X 11.8" PIVOT SHAFT		02
12	0503011250	1" X 2" BOLT		04
13	0503010012	1" SPRING WASHER		04
14	0521011565	FLAT WASHER		04
15	0531018062	COUPLING SHAFT		02
16	0501056467	STUB SHAFT & HUB ASSY	9	04



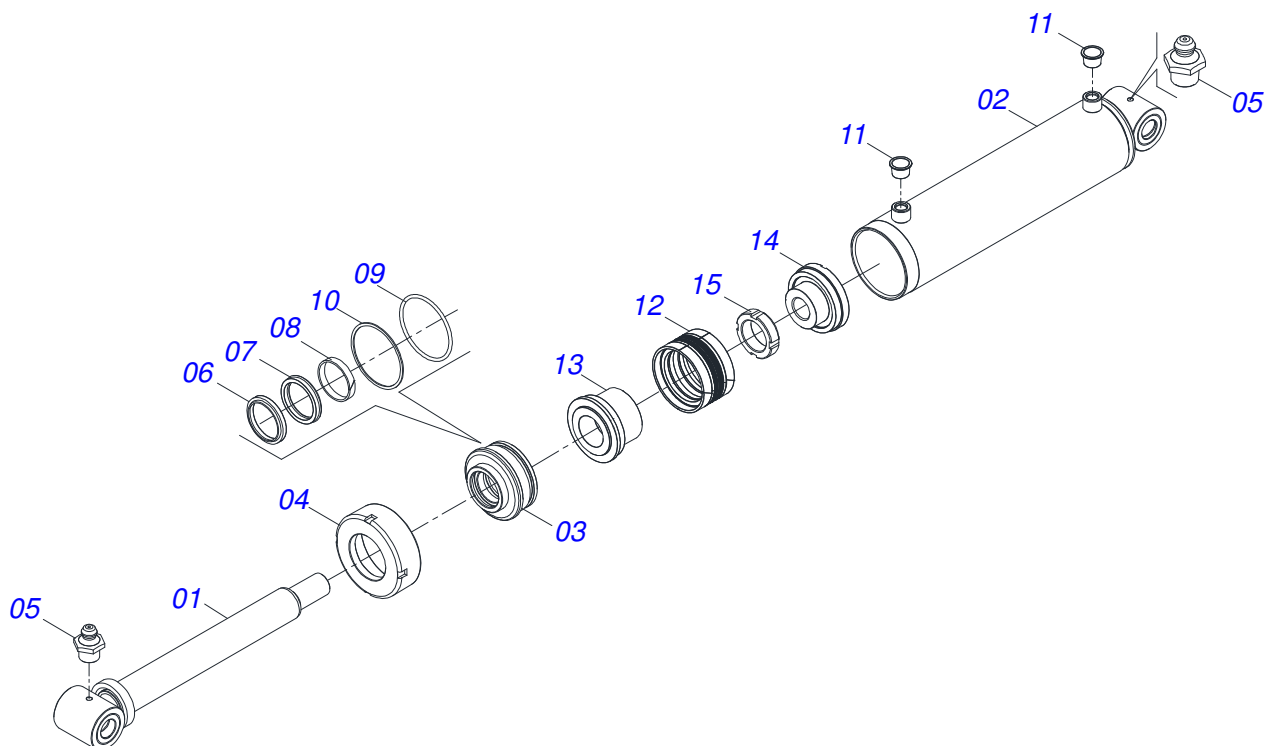
Item	Code	Description	See page	QT
01	0502011469	245 ADJUSTMENT NUT		01
02	0501069416	JACKET		01
03	0501069417	JACK CRANK		01
04	0503010002	1800 GREASE FITTING		04



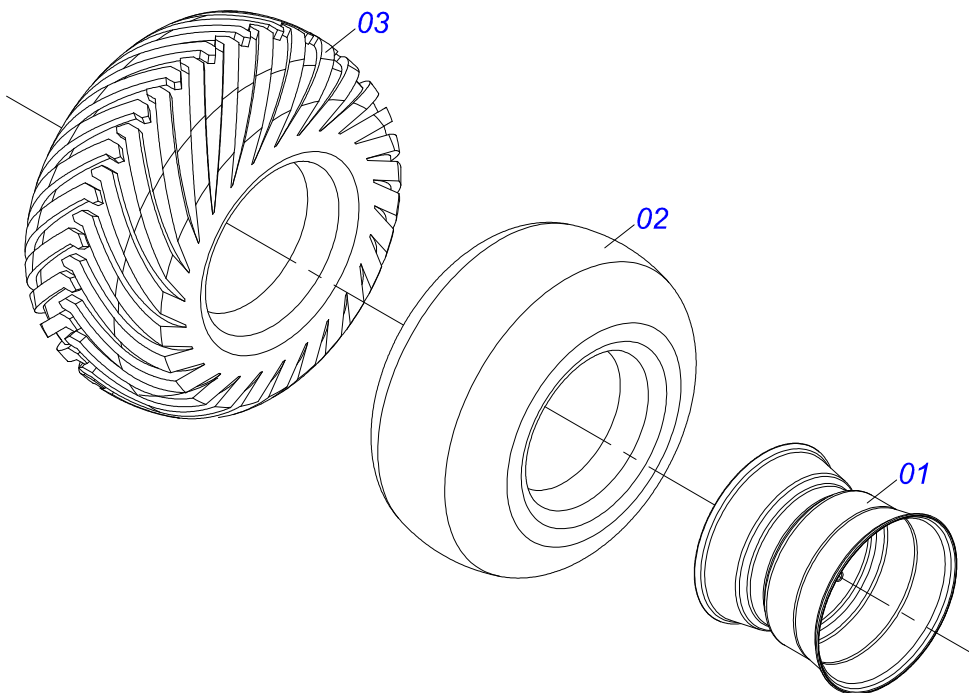
Item	Code	Description	See page	QT
001	0581011745	VALVE SUPPORT		01
002	0503010919	DISCHARGE VALVE		01
003	0503011334	3/8" X 3/4" BOLT		02
004	0503010025	3/8 SPRING WASHER		02
005	0503010190	2-114 N 3006-9B O'RING		04
006	0501010617	3/4" NIPPLE		04



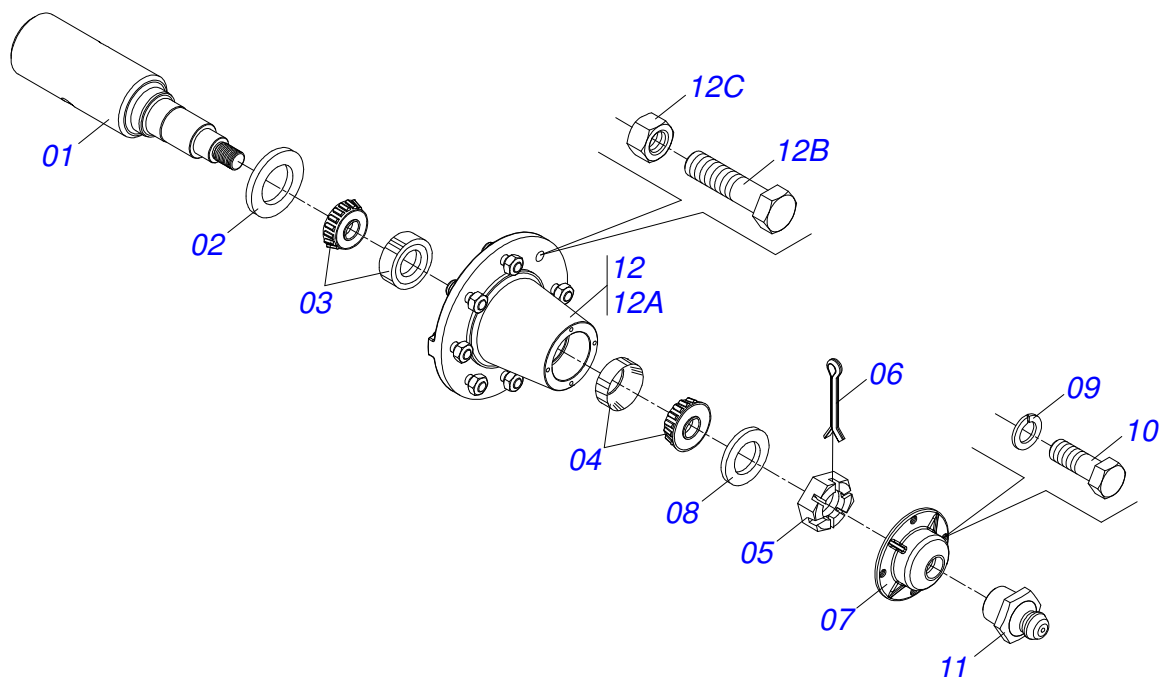
Item	Code	Description	See page	QT
01	0503062227	DRAWBAR JACK		01



Item	Code	Description	See page	QT
001	0521061684	56,98 X 590,50 TURNBUCKLE		01
002	0521061685	114,30 X 500 CYLINDER CASE		01
003	0502012644	RING SUPPORT		01
004	0502011222	0.56" MOBILE COVER		01
005	0503010002	1800 GREASE FITTING		02
006	0503015715	SCRAPER SEALING		01
007	0503015642	U-CUP SEALING		01
008	0503015641	RING SLYDRING		00
009	0503011892	2-346 N 3006-9B O'RING		01
010	0503011893	8-346 BACK-UP RING		01
011	0503030384	CON N-001 PLUG		02
012	0503015640	SEALING SELEMASTER		01
013	0561016578	PISTON BODY		01
014	0581015283	BODY		01
015	0503819100	SCREW		01

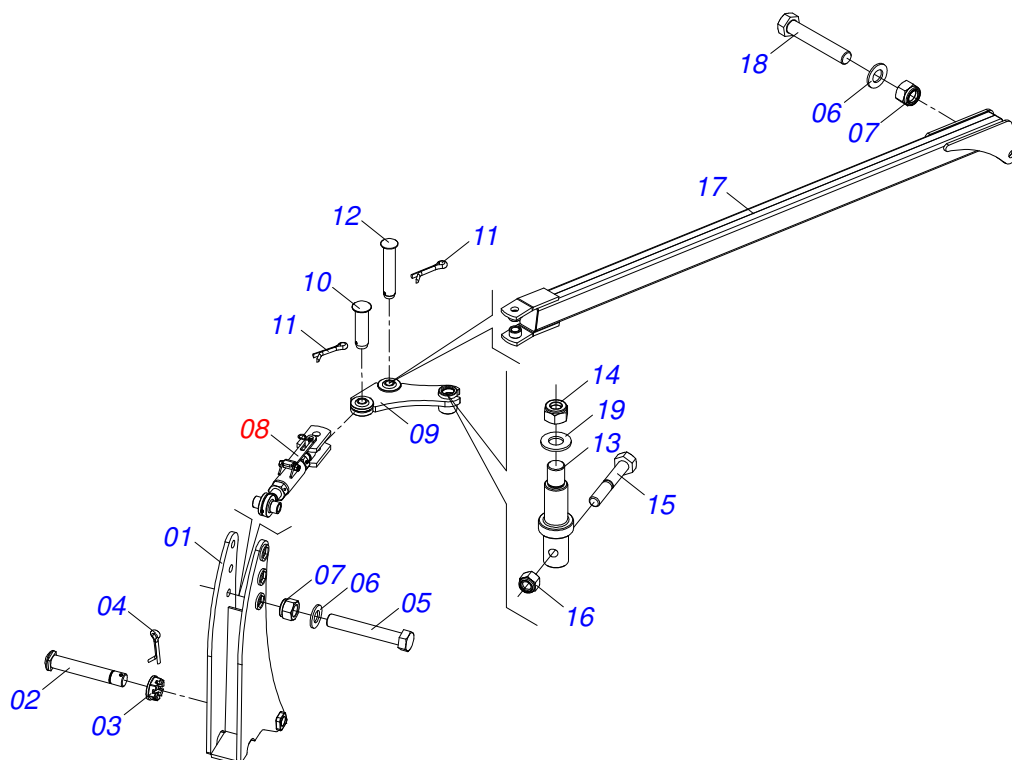


Item	Code	Description	See page	QT
001	0501069483	WHEEL		01
002	0503012112	400/60 - 15.5 TR 15 INNER TIRE		01
003	0503013119	CANVAS TIRE		01

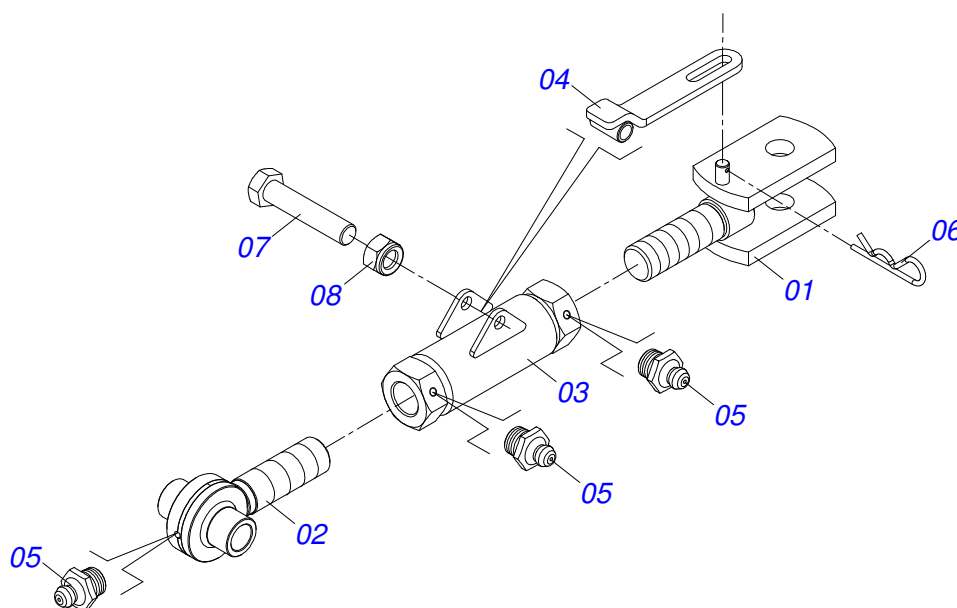


Item	Code	Description	See page	QT
01	0541016566	POINT AXIS 3.1/2 X 375 GCRO 7010		01
02	0503013314	RETENTOR 5166-GB 63,5 X 110 X 13 ARCA		01
03	0503015290	3780/3720 ROLLER BEARING		01
04	0503014821	ROLLER BEARING		01
05	0503830009	1" X 0.9" CASTLE NUT		01
06	0503010018	5/32 X 1-1/2 COTTERPIN		01
07	0502020591	PROTECCION COVER		01
08	0511812492	FLAT WASHER		01
09	0503011444	SPRING WASHER		04
10	0503810358	5/16" X 7/8" UNC BOLT		04
11	0503010002	1800 GREASE FITTING		01
12	0501110738	CARRYING WHEEL HUB		01
12A	0502012260	CAIXA RODADO TRANSPORTE		01
12B	0501010186	PARAFUSO ROD 5/8UNF X 2.1/8CR		08
12C	0503010064	5/8 UNF CONIC NUT		08

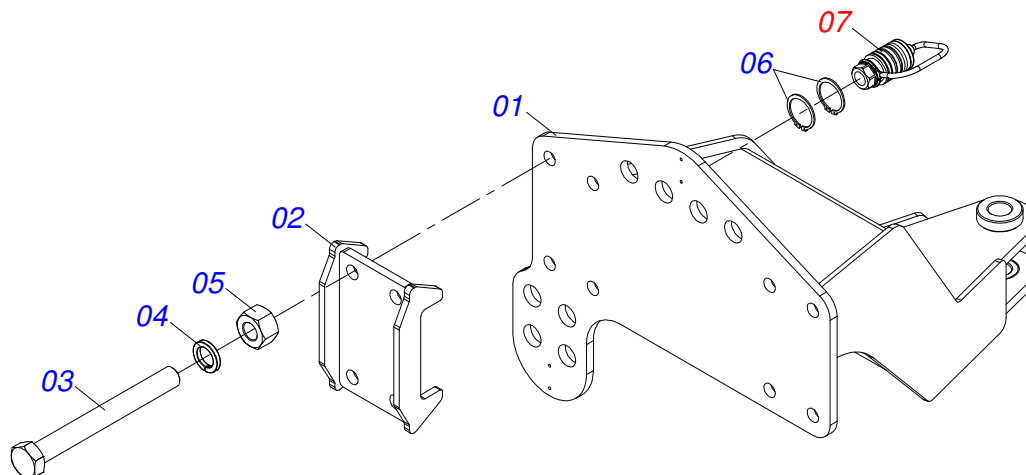
HEADER ARTICULATOR ASSY



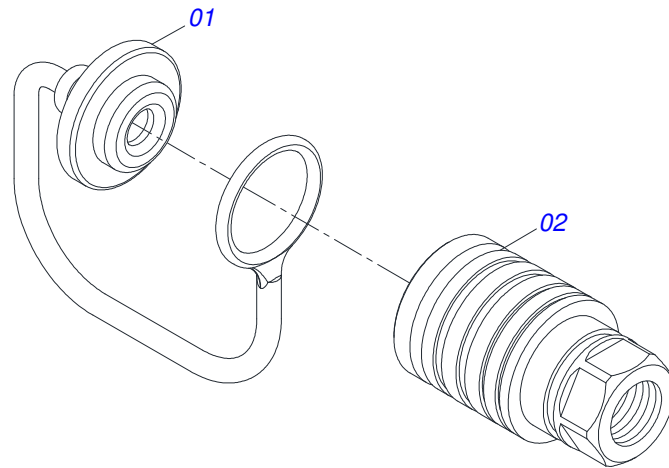
Item	Code	Description	See page	QT
01	0521066758	HEADER ARTICULATOR		01
02	0521012053	1.5" X 8.6" AXLE		01
03	0501011301	1.1/2 UNC 6FPP 2.5/16 NUT		01
04	0503010010	1/4" X 2.1/2" COTTERPIN		01
05	0521017351	1-1/4" X 8" BOLT		01
06	0501017779	FLAT WASHER		01
07	0503010817	1-1/4" SELF-ADJUSTING NUT		02
08	0511059199	AIR TURNBUCKLE STABILIZER BAR	11	01
09	0521066960	ARTICULADOR STABILIZER BAR		01
10	0521010780	1.2" X 4.5" COUPLING SHAFT		01
11	0503010523	1/4" X 2" COTTERPIN		02
12	0581011919	COUPLING SHAFT 31,75 X 170 ZN		01
13	0581011775	EJE PIVOT SHAFT STABILIZER BAR		01
14	0503010290	SELF ADJUSTING 1.1/2" UNF NUT		01
15	0501010216	3/4" X 4-1/2" BOLT		01
16	0503011075	NUT		01
17	0521066959	STABILIZER BAR		01
18	0503013321	SCREW 1.1/4 UNF X 7 C S G.8 ZN		01
19	0501010287	FLAT WASHER		01



Item	Code	Description	See page	QT
001	0521066962	JACK CRANK C/O. R.1.3/4 ESQ GCRO 7010		01
002	0521066965	JACK CRANK NUT FIXER R.1.3/4 UNC DIR GCRO 7010		01
003	0521066963	ADJUSTMENT NUT R.1.3/4 UNC (245) GCRO 7010/13		01
004	0521066964	LEVER STABILIZER OF TENSOR REGULATOR		01
005	0503010002	1800 GREASE FITTING		03
006	0503030285	HAIR PIN		01
007	0503010806	5/8" X 3" BOLT		01
008	0503010878	5/8" SELF ALIGNING NUT		01

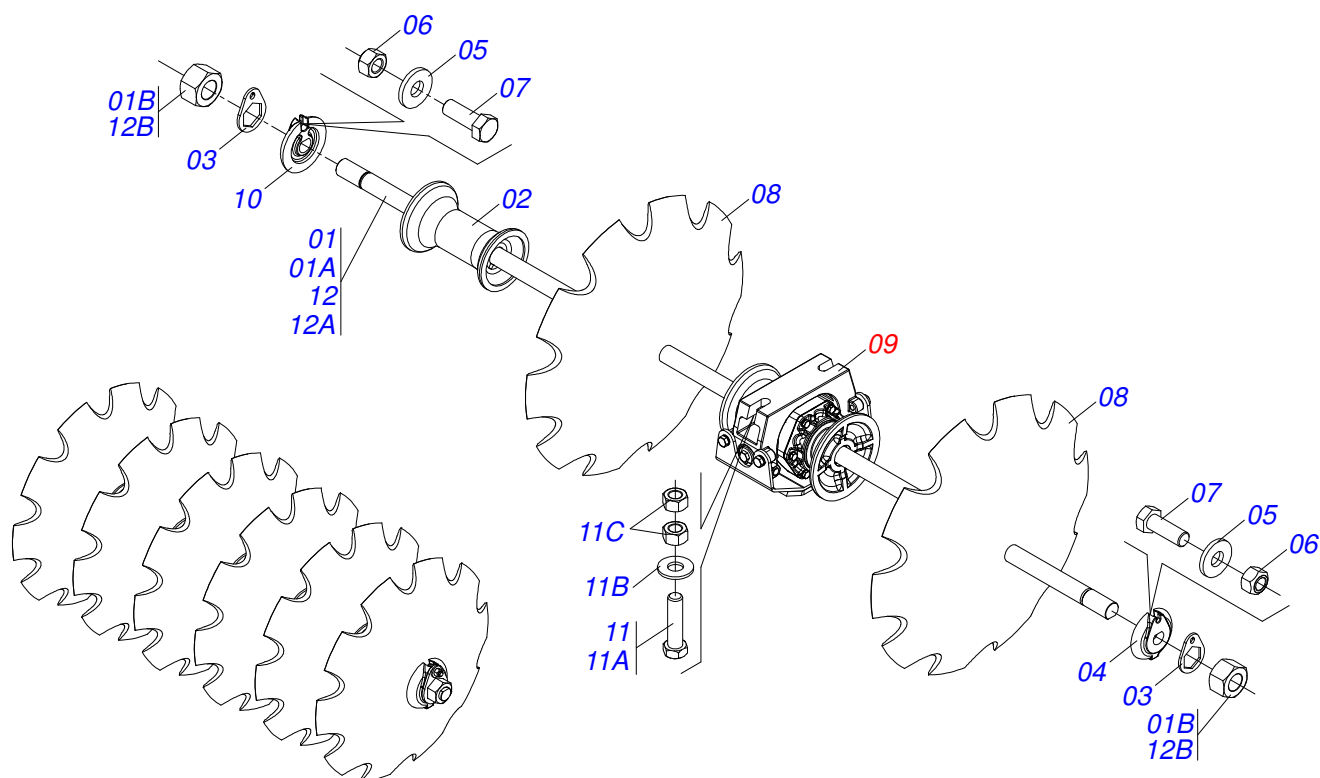


Item	Code	Description	See page	QT
01	0521065966	REAR HITCH		01
02	0521065965	FIXER CLAW		02
03	0501010064	1" X 9" BOLT		08
04	0503010012	1" SPRING WASHER		08
05	0501010059	1.5/8 NUT		08
06	0503010217	501040 CLAMPING RING (FOR AXLE)		04
07	0501053835	FEMALE QUICK COUPLER	13	02



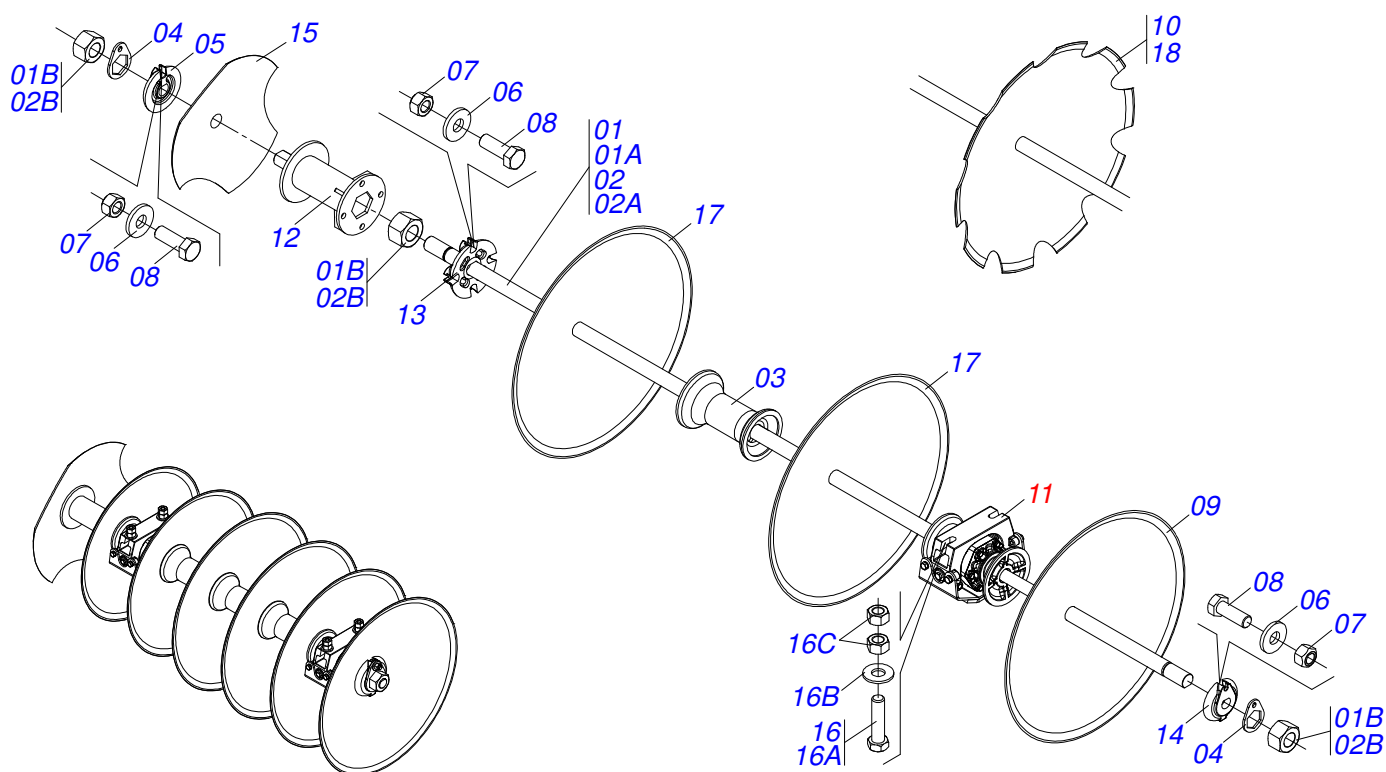
Item	Code	Description	See page	QT
01	0503011883	QUICK CONNECTION COVER		01
02	0503011628	FEMALE QUICK COUPLER		01

FRONT DISC SECTION



Item	Code	Description	See page	036	040	048
01	0501046859	1-5/8" X 70" AXLE WITH NUTS 2-3/4"		000	002	000
01A	0501015631	1-5/8" X 70" AXLE		000	002	000
01B	0502840640	1.5/8" 2.3/4" NUT		000	004	000
02	0502010703	10.35" 1-5/8" SPACER		009	011	012
03	0511014339	1-5/8" 2.8" NUT LOCK		006	006	008
04	0502011048	1-5/8" EXTERNAL AXLE WASHER		003	003	004
05	0501012140	FLAT WASHER		006	006	008
06	0503012412	HEX SELF ADJUSTING NUT 5/8 UNC S		006	006	008
07	0503010232	5/8" X 1.3/4" BOLT		006	006	008
08	0602037186	DR28X7,5 C108AF02FR1.11/16 10R TATU		018	020	024
08.	0602037829	DR28X7,5 C102AF02FR1.11/16 10R TATU		018	020	024
08..	0602040155	30 X 7,5 NOTCHED DISC BLADE		018	020	024
08...	0602040074	30 X 7,5 NOTCHED DISC BLADE		018	020	024
09	0511048366	OSCILLATING BEARING ASSY	16	006	006	008
10	0502011047	1-5/8" INNER AXLE WASHER		003	003	004
11	0521047424	SCREW ASSY		012	012	016
11A	0501010500	3/4"X3"BOLT		012	012	016
11B	0501010322	FLAT WASHER		012	012	016
11C	0503012183	SNC 3/4" ZIN 1K03097 NUT		024	024	032
12	0501046856	1-5/8" X 59" AXLE WITH NUTS 2-3/4"		003	001	004
12A	0501019012	1-5/8" X 59" AXLE		003	001	004
12B	0502040640	1.5/8" 2.3/4" NUT		006	002	008

REAR DISC SECTION



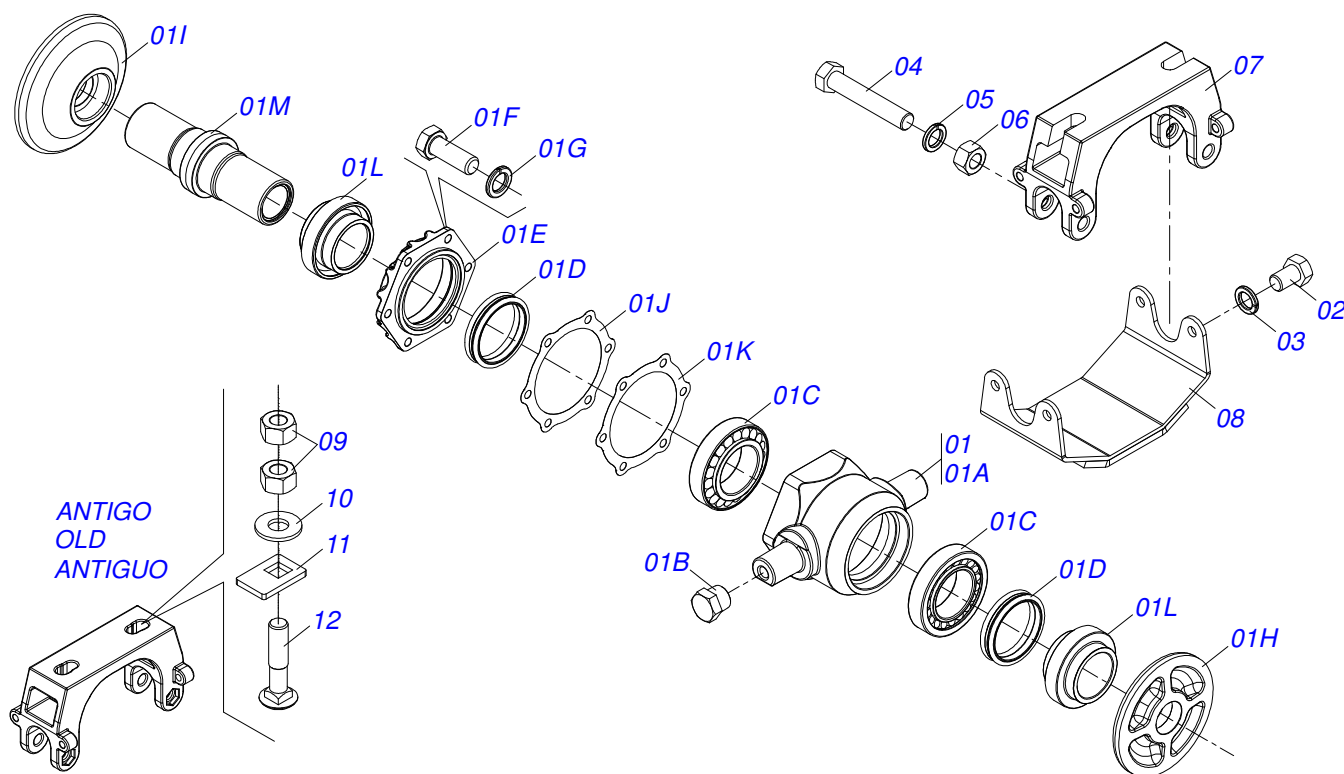
Item	Code	Description	See page	036	040	048
01	0501046856	1-5/8" X 59" AXLE WITH NUTS 2-3/4		003	001	004
01A	0501019012	1-5/8" X 59" AXLE		003	001	004
01B	0502840640	1.5/8" 2.3/4" NUT		006	002	008
02	0501046859	1-5/8" X 70" AXLE WITH NUTS 2-3/4"		000	002	000
02A	0501015631	1-5/8" X 70" AXLE		000	002	000
02B	0502040640	1.5/8" 2.3/4" NUT		000	004	000
03	0502010703	10.35" 1-5/8" SPACER		009	011	012
04	0511014339	1-5/8" 2.8" NUT LOCK		006	006	008
05	0502011048	1-5/8" EXTERNAL AXLE WASHER		003	003	004
06	0501012140	FLAT WASHER		010	010	012
07	0503012412	HEX SELF ADJUSTING NUT 5/8 UNC S		010	010	012
08	0503010232	5/8" X 1.3/4" BOLT		010	010	012
09	0601042040	30 X 0,3" PLAIN DISC BLADE		000	018	022
09.	0601039053	28"X 0.3" PLAIN DISC BLADE		000	000	001
09..	0601039834	DL28X7,5 C108AF02FR1.11/16 TATU		016	000	000
10	0602040155	30 X 7,5 NOTCHED DISC BLADE		000	020	000
10.	0602040074	30 X 7,5 NOTCHED DISC BLADE		000	000	026
10..	0602037006	DR28X7,5 C102AF04FR1.11/16 10R TATU		000	000	001
10...	0602037186	DR28X7,5 C108AF02FR1.11/16 10R TATU		018	018	000
11	0511048366	OSCILLATING BEARING ASSY	16	006	006	006
12	0511067146	10.35" AXLE 1-5/8" SPACER		001	001	001
13	0502012377	1-5/8" EXTERNAL AXLE LOK		001	001	001
14	0502011047	1-5/8" INNER AXLE WASHER		003	003	004
15	0602029360	DR22X6 C69AF02FR1.11/16 03REC TATU		001	001	000
15.	0602030445	24 X 6 NOTCHED DISC BLADE		000	001	001
15..	0602030444	DR24X7,5 C66AF02FR1.11/16 3RECTATU		000	000	001
16	0521047424	SCREW ASSY		012	012	016
16A	0501010500	3/4"X3"BOLT		012	012	016
16B	0501010322	FLAT WASHER		012	012	016
16C	0503012183	SNC 3/4" ZIN 1K03097 NUT		024	024	032
17	0601033065	DL26X7,5 C90AF04FR1.11/16 TATU		000	001	001



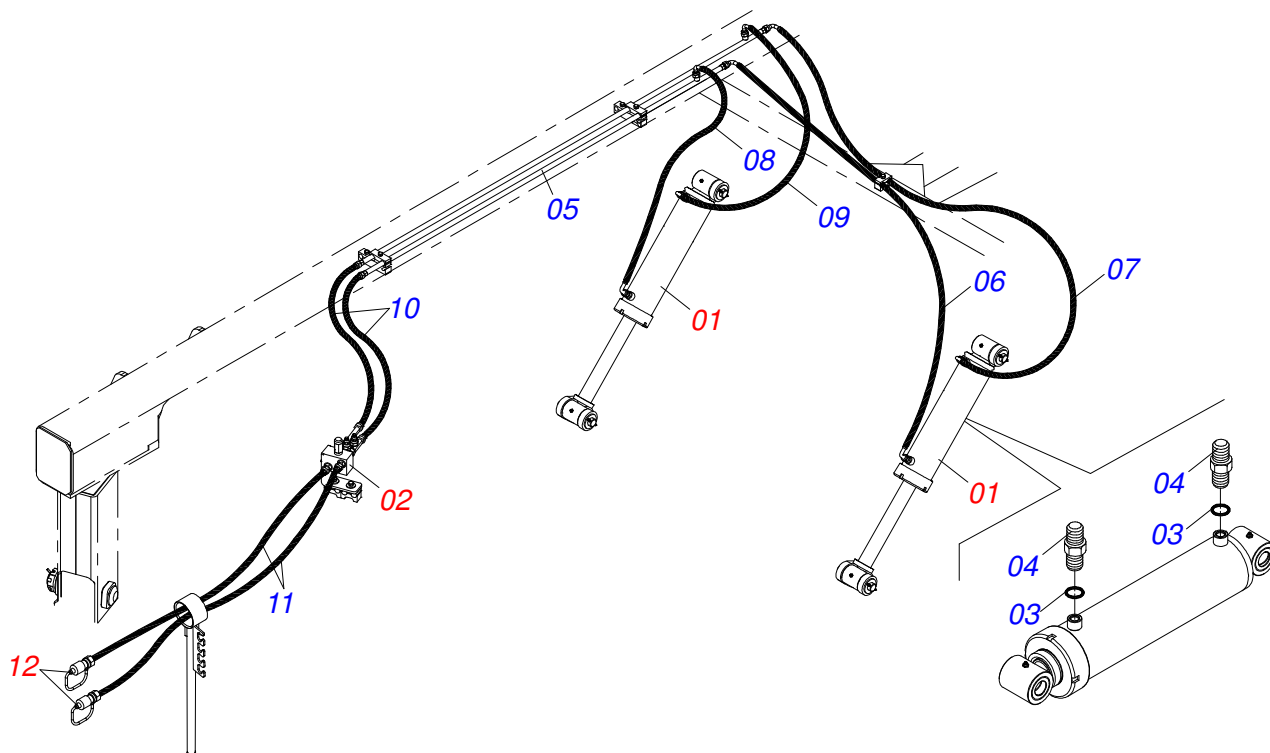
REAR DISC SECTION

0909092753

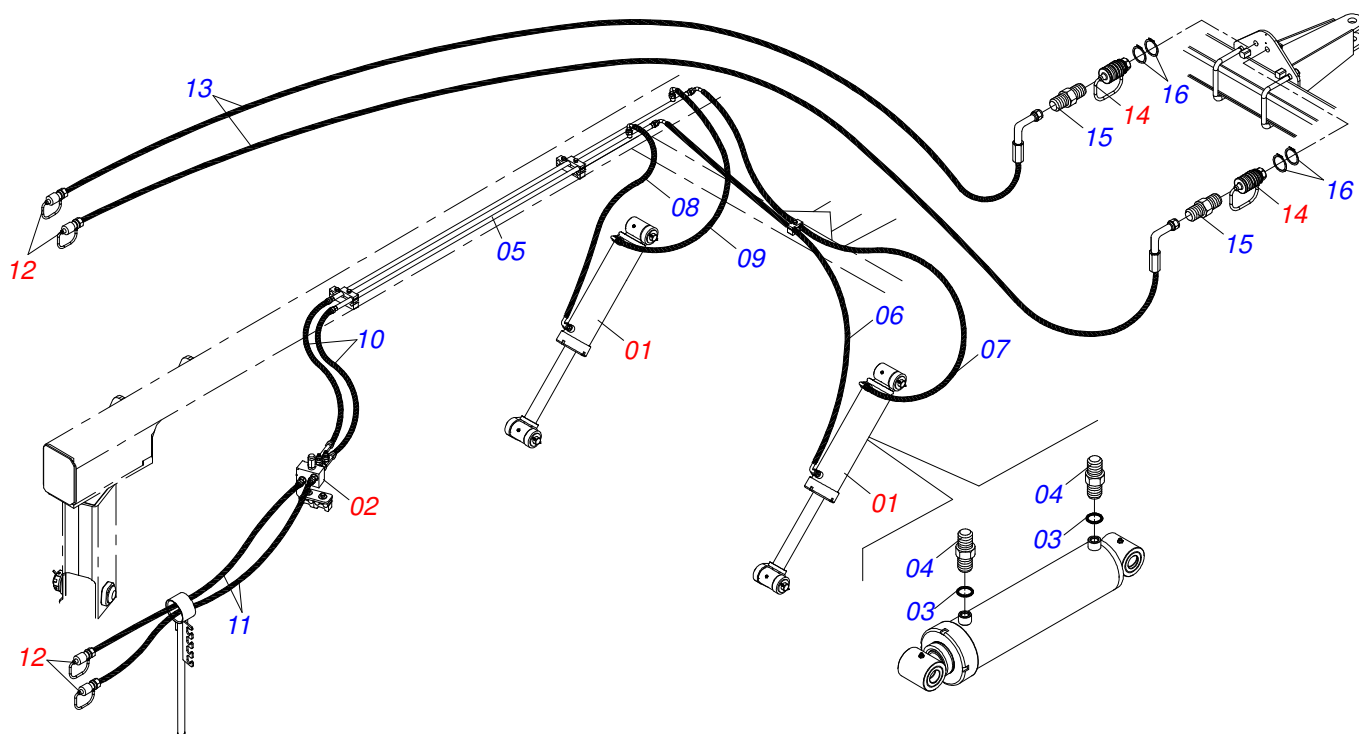
Item	Code	Description	See page	036	040	048
17.	0601036039	DL26X7,5 C90AF02FR1.11/16 TATU		001	000	000
17..	0601032014	DL24X7,5 C76AF02FR1.11/16" D090		001	000	000
18	0602033067	26" X 7.5 NOTCHED DISC BLADE		000	000	001
18.	0602033145	DR26X7,5 C89AF02FR42,86 10REC ROME		000	001	000
18..	0602030424	DR24X7,5 C85AF02FR1.11/16 10REC		000	001	000



Item	Code	Description	See page	QT
01	0501059723	OSCILLATING BEARING		01
01A	0502012343	AGRICULTURAL HOUSING BEARING		01
01B	0503010856	OIL PLUG		02
01C	0503013496	3982/3920 ROLLER BEARING		02
01D	0503030027	DUO-CONE SEAL		02
01E	0502020161	WEAR PLATE BEARING		01
01F	0503010237	3/8" X 1" BOLT		06
01G	0503011443	SPRING WASHER		06
01H	0502040240	INNER FLANGE		01
01I	0502040239	OUTER FLANGE		01
01J	0503030030	5.6" X 4.4" X 0.01" GASKET		01
01K	0503030685	5.5" X 4.4" X 0.003" GASKET		01
01L	0502010736	SEAL RETAINER		02
01M	0502010740	AXLE TK		01
02	0503011401	1/2" X 3/4" BOLT		04
03	0503010019	1/2" SPRING WASHER		04
04	0503010762	5/8" X 3-12" BOLT		02
05	0503010027	SPRING WASHER		02
06	0503010013	5/8" NUT		02
07	0502012626	CENTER OSCILLATING BEARING SUPPORT		01
08	0521067341	BEARING SWING COVER WITH ENHANCED		01
09	0503010014	3/4" NUT		04
10	0501010322	FLAT WASHER		02
11	0541014269	3/4 SQUARE WASHER		02
12	0501010950	3/4" X 3-1/2" BOLT		02



Item	Code	Description	See page	QT
01	0511048619	HYDRAULIC CYLINDER		02
02	0511059196	VALVE FULL	5	01
03	0503010190	2-114 N 3006-9B O'RING		04
04	0501010617	3/4" NIPPLE		04
05	0521066937	DUCT DISTRIBUTOR OF OIL		02
06	0501080370	TC-TC HOSE ASSY		01
07	0501080644	3/8" X 78.7" TC-TC HOSE ASSY		01
08	0501080065	3/8 X 1200 TC-TC HOSE ASSY		01
09	0501082058	HOSE 3/8 X 800 TC-TC		01
10	0501080106	TR-TR HOSE ASSY		02
11	0501080844	3/8 X 5500 TC-TM HOSE		02
12	0501053834	MALE QUICK COUPLING AGRICULTURAL WITH COVER - 1/2 NPT		02



Item	Code	Description	See page	QT
01	0511048619	HYDRAULIC CYLINDER		02
02	0511059196	VALVE FULL	5	01
03	0503010190	2-114 N 3006-9B O'RING		04
04	0501010617	3/4" NIPPLE		04
05	0521066937	DUCT DISTRIBUTOR OF OIL		02
06	0501080370	TC-TC HOSE ASSY		01
07	0501080644	3/8" X 78.7" TC-TC HOSE ASSY		01
08	0501080065	3/8 X 1200 TC-TC HOSE ASSY		01
09	0501082058	HOSE 3/8 X 800 TC-TC		01
10	0501080106	TR-TR HOSE ASSY		02
11	0501080205	HOSE 3/8 X 5500 TR-TM		02
12	0501053834	MALE QUICK COUPLING AGRICULTURAL WITH COVER - 1/2 NPT		04
13	0501081322	3/8" X 11500 TC-TM HOSE		02
14	0501053835	FEMALE QUICK COUPLER	13	02
15	0561014252	3/4 UNF X 44 NIPPLE WITH REDUCTION		02
16	0503010217	501040 CLAMPING RING (FOR AXLE)		04



MARCHESAN IMPLEMENTOS E MÁQUINAS AGRÍCOLAS TATU S.A.

AV. Marchesan, 1979 - Post office box, 131 - CEP 15994-900 - Matão - SP - Brazil

Phone +55 16.3382-8282

(FAX Parts) + 55 16.3382. 8297 - (Export) + 55 16.3382.1003

e.mail: tatu@marchesan.com.br www.marchesan.com.br

Technical Publications: Elaboration

ALESSANDRA PATRICIA KAWAHARA CARRILI

Technical Publications: Revision

ALESSANDRA PATRICIA KAWAHARA CARRILI

Contact Catálogo:

E-mail = jgaspari@marchesan.com.br

**ORIGINAL PARTS
TATU**

