

OFFSET DISK HARROW

**GCRO 7010 (AXLE 1.5/8") RIGID HYDRAULIC
LIGHT 28-32-36-40-42 DISCS**

Code: 0501091972
Series: S-0417
Revision: 00
Date Revision: JULHO/2021

**PARTS
CATALOGUE**



MARCHESAN



PRODUCTS

Code	Description
0102560247	GCRO 7010 28X30X7,5 DMO HID LEVE ESPECIAL S-0417
0102560248	GCRO 7010 32X30X7,5 DMO HID LEVE ESPECIAL S-0417
0102560249	GCRO 7010 36X30X7,5 DMO HID LEVE ESPECIAL S-0417
0102560250	GCRO 7010 40X30X7,5 DMO HID LEVE ESPECIAL S-0417
0102560261	GCRO 7010 40X30X7,5 DMO HID LEVE ESPECIAL S-0417
0102560251	GCRO 7010 44X30X7,5 DMO HID LEVE ESPECIAL S-0417
0102560252	GCRO 7010 48X30X7,5 DMO HID LEVE ESPECIAL S-0417
0102560259	GCRO 7010 48X30X7,5 DMO HID LEVE ESPECIAL S-0417

ATTENTION: IMPORTANT

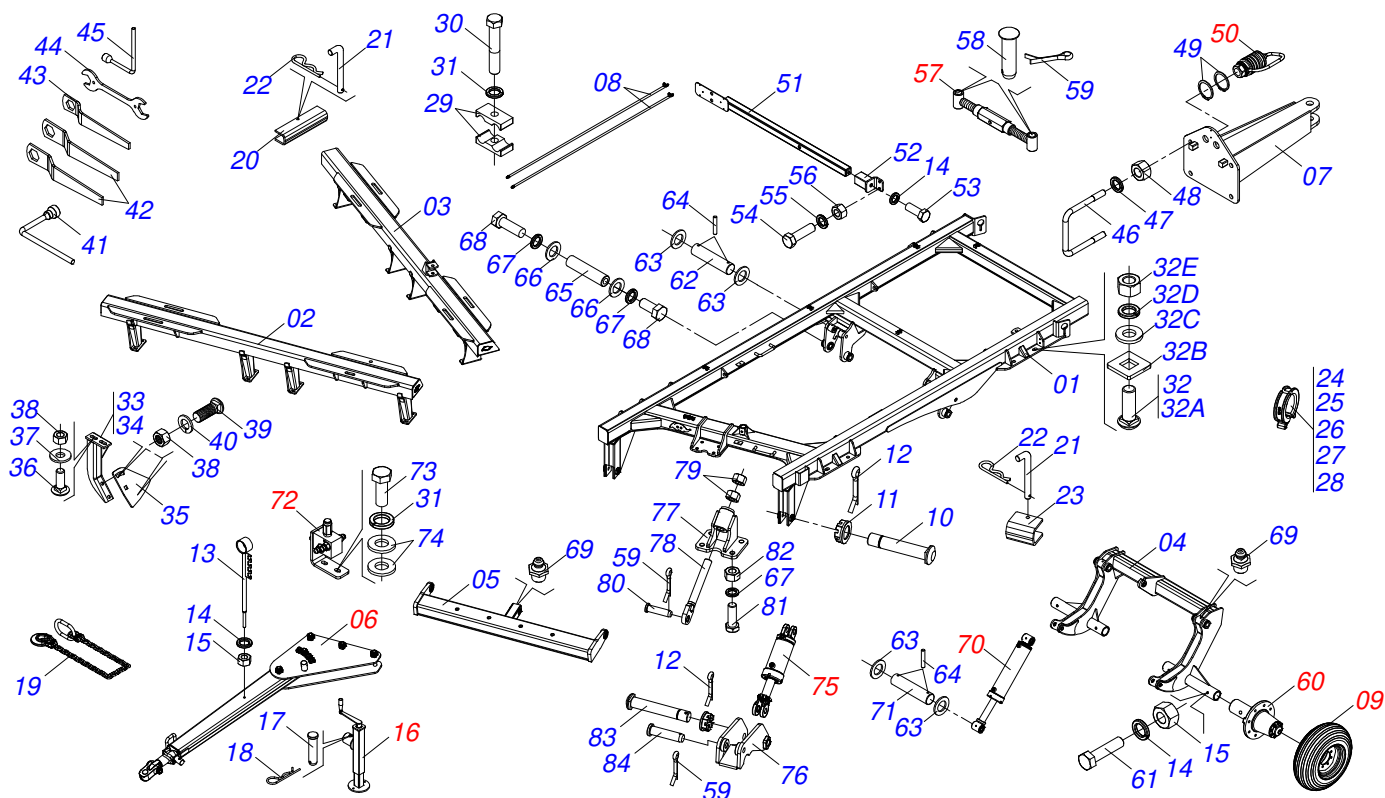
Marchesan S.A. reserves the right to improve and / or modify the technical features of its products, without obligation to do the same with those products already sold and without prior knowledge of the dealer or the consumer.



INDEX

0909092726	FRAME ASSY	1
0521047325	FULL TRACTION BAR	2
0503060414	WHEEL AND TIRE	3
0503060102	WHEEL AND TIRE	4
0511048088	DRAWBAR JACK	5
0501053835	FEMALE QUICK COUPLER	6
0501053834	MALE QUICK COUPLER WITH CAP - 1/2 NPT	7
0501052005	STABILIZER FOR GANG	8
0501056467	STUB SHAFT & HUB ASSY	9
0511059196	VALVE ASSY	10
0521046001	50,80 X 101,60 X 410 X 107 HYDRAULIC CILINDER	11
0909092727	FRONT DISCS SECTION	12
0909092728	REAR DISC SECTION	13
0511048366	OSCILLATING BEARING ASSY	14
0909092729	HYDRAULIC CIRCUIT WITH REAR COUPLING	15

FRAME ASSY



Item	Code	Description	See page	028	032	036	040	044	048
01	0521067801	FRAME		001	001	001	001	001	001
02	0521067805	FRONT FRAME - 28D		001	000	000	000	000	000
02.	0521067807	FRONT FRAME - 32D		000	001	000	000	000	000
02..	0521066681	FRONT FRAME - 36D		000	000	001	000	000	000
02...	0521066683	FRONT FRAME - 40D		000	000	000	001	000	000
02....	0521067809	FRONT FRAME - 44D		000	000	000	000	001	000
02.....	0521067811	FRONT FRAME - 48D		000	000	000	000	000	001
03	0521067806	REAR FRAME - 28D		001	000	000	000	000	000
03.	0521067808	REAR FRAME - 32D		000	001	000	000	000	000
03..	0521066682	REAR FRAME - 36D		000	000	001	000	000	000
03...	0521066684	REAR FRAME - 40D		000	000	000	001	000	000
03....	0521067810	REAR FRAME - 44D		000	000	000	000	001	000
03.....	0521067812	REAR FRAME - 48D		000	000	000	000	000	001
04	0521067803	CARRYNG-WHEELS		001	001	001	001	001	001
05	0521067800	BAR HITCH		001	001	001	001	001	001
06	0521047325	FULL TRACTION BAR	2	001	001	001	001	001	001
07	0501069421	REAR HITCH GCRO		001	001	001	001	001	001
08	0521067804	OIL DISTRIBUTOR DUCT		002	002	002	002	002	002
09	0503060414	WHEEL AND TIRE	3	004	004	004	004	000	000
09.	0503060102	WHEEL AND TIRE	4	000	000	000	000	004	004
10	0531018100	37,50 X 200 COUPLING SHAFT		002	002	002	002	002	002
11	0501011301	1.1/2 UNC 6FPP 2.5/16 NUT		003	003	003	003	003	003
12	0503010010	1/4" X 2.1/2" COTTERPIN		003	003	003	003	003	003
13	0521062849	HOSE HOLDER ASSY		001	001	001	001	001	001
14	0503010023	3/4" SPRING WASHER		011	011	011	011	011	011
15	0503010014	3/4" NUT		005	005	005	005	005	005
16	0511048088	DRAWBAR JACK	5	001	001	001	001	001	001
17	0561014251	COUPLING SHAFT		001	001	001	001	001	001
18	0503030012	HAIR PIN		001	001	001	001	001	001
19	0503013150	1300 X 3/8 CHAIN		001	001	001	001	001	001
20	0561016693	TRANSPORT LOCK		002	002	002	002	002	002

**GCRO 7010 (AXLE 1.5/8") RIGID HYDRAULIC LIGHT****FRAME ASSY**

0909092726

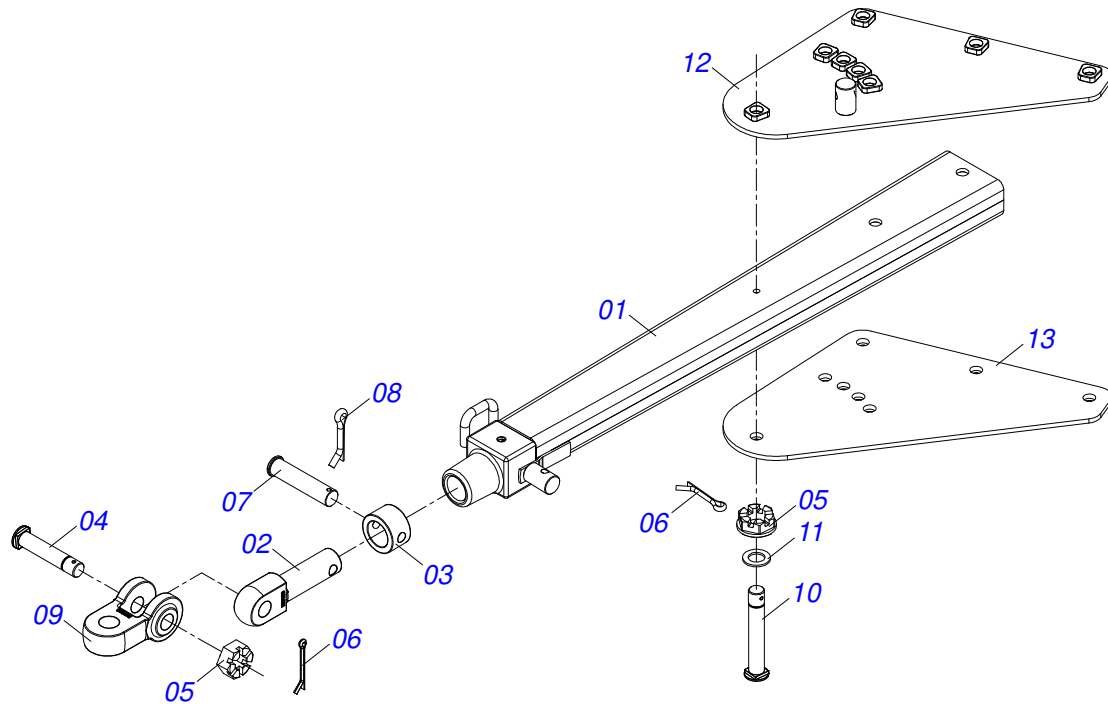
Item	Code	Description	See page	028	032	036	040	044	048
21	0541016844	FIXER LOCK		003	003	003	003	003	003
22	0503030285	HAIR PIN		003	003	003	003	003	003
23	0581010751	TRANSPORT LOCK		001	001	001	001	001	001
24	0501047895	ROD STOP		006	006	006	006	006	006
25	0501047885	ROD STOP		003	003	003	003	003	003
26	0501047886	ROD STOP		003	003	003	003	003	003
27	0501047887	ROD STOP		003	003	003	003	003	003
28	0501047888	ROD STOP		003	003	003	003	003	003
29	0502010477	HOSE CLAMP		009	009	009	009	009	009
30	0503011103	7/16" X 2-1/2" BOLT		002	002	002	002	002	002
31	0503010180	7/16" SPRING WASHER		007	007	007	007	007	007
32	0501041102	1-1/4" X 3-3/4" ASSY BOLT		008	008	008	008	008	008
32A	0501015348	1-1/4" X 3-3/4" BOLT		001	001	001	001	001	001
32B	0501010953	1-1/4" SQUARE WASHER		001	001	001	001	001	001
32C	0531010713	FLAT WASHER		001	001	001	001	001	001
32D	0503010070	SPRING WASHER		001	001	001	001	001	001
32E	0501010087	1.1/4" NUT		001	001	001	001	001	001
33	0511065926	FRONT SCRAPER SUPPORT		014	016	018	020	022	024
34	0511065925	REAR SCRAPER SUPPORT		015	017	019	021	023	025
35	0561014263	CLEANER SHOVEL		039	033	037	041	045	049
36	0503013842	5/8" UNC X 1-3/4" BOLT		058	066	074	082	090	098
37	0501012140	FLAT WASHER		070	082	090	098	110	118
38	0503010013	5/8" NUT		116	132	148	164	180	196
39	0503012195	5/8" NUT		058	066	074	082	090	098
40	0503010027	5/8" SPRING WASHER		062	066	074	086	094	098
41	0503016137	1-1/4" WRENCH CABLE CYLINDER		001	001	001	001	001	001
42	0501011431	1-3/4" GANG BOLT WRENCH		002	002	002	002	002	002
43	0501011432	1-1/2" AND 1-5/8 GANG BOLT WRENCH		001	001	001	001	001	001
44	0541015451	FIXED KEY 2.3/8 X 2.3/4		001	001	001	001	001	001
45	0503018438	1" WRENCH CYLINDRICAL HEX		001	001	001	001	001	001
46	0541016679	7/8 UNF X 188,5 FASTENER		002	002	002	002	002	002
47	0503010408	7/8" SPRING WASHER		004	004	004	004	004	004
48	0503010558	7/8" NUT		004	004	004	004	004	004
49	0503010217	501040 CLAMPING RING (FOR AXLE)		004	004	004	004	004	004
50	0501053835	FEMALE QUICK COUPLER	6	002	002	002	002	002	002
51	0521066443	SUPPORT FIXER LANTERN		002	002	002	002	002	002
52	0521066624	FIXER SUPPORT LANTERN		002	002	002	002	002	002
53	0501010098	3/4" UNC BOLT		002	002	002	002	002	002
54	0503011082	C1/2" X 1.3/4" SCREW		004	004	004	004	004	004
55	0503010019	1/2" SPRING WASHER		004	004	004	004	004	004
56	0503010060	1/2" NUT		004	004	004	004	004	004
57	0501052005	STABILIZER FOR GANG	8	001	001	001	001	001	001
58	0521010546	1.2" X 5.7" COUPLING SHAFT		004	004	004	004	004	004
59	0503010523	1/4" X 2" COTTERPIN		004	004	004	004	004	004
60	0501056467	STUB SHAFT & HUB ASSY	9	004	004	004	004	004	004
61	0503011198	C3/4" X 6" SCREW		004	004	004	004	004	004
62	0531018105	1.2" X 11.8" PIVOT SHAFT		002	002	002	002	002	002
63	0501017779	32 X 60 X 4.75 FLAT WASHER		008	008	008	008	008	008
64	0503011877	0.3" X 2.4" SPRING PIN		008	008	008	008	008	008
65	0531018062	COUPLING SHAFT		002	002	002	002	002	002
66	0521011565	FLAT WASHER		004	004	004	004	004	004
67	0503010012	1" SPRING WASHER		008	008	008	008	008	008
68	0503011250	1" X 2" BOLT		004	004	004	004	004	004
69	0503010002	1800 GREASE FITTING		017	017	017	017	017	017
70	0521051832	HYDRAULIC CYLINDER 53,98 X 114,30 X 654 X 346		002	002	002	002	002	002
71	0531018101	1.2" X 6.3" PIVOT SHAFT		002	002	002	002	002	002
72	0511059196	VALVE ASSY	10	001	001	001	001	001	001
73	0503011173	7/16" X 2" BOLT		002	002	002	002	002	002
74	0501012803	FLAT WASHER		002	002	002	002	002	002



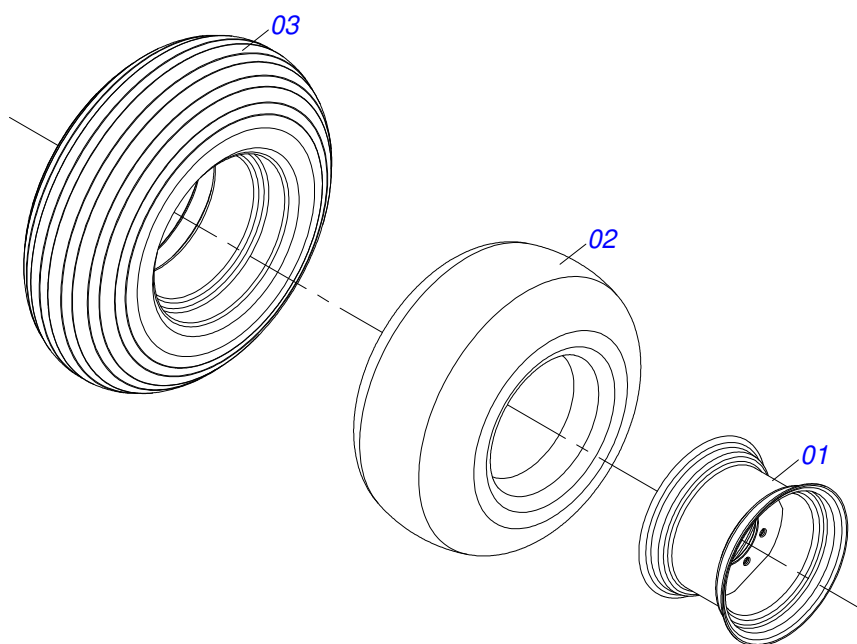
FRAME ASSY

0909092726

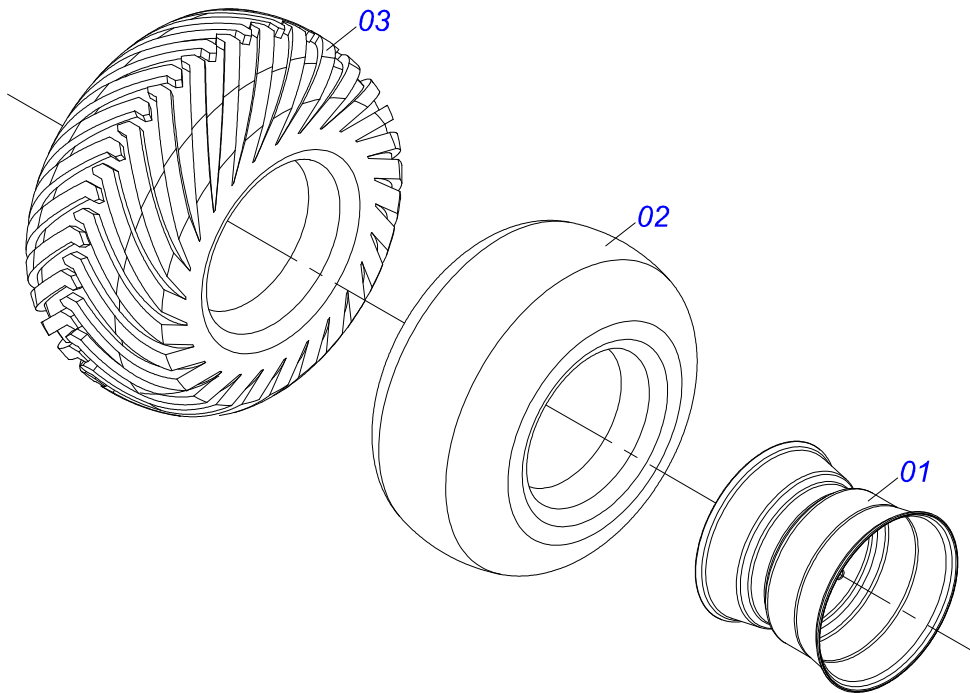
Item	Code	Description	See page	028	032	036	040	044	048
75	0521046001	50,80 X 101,60 X 410 X 107 HYDRAULIC CILINDER	11	001	001	001	001	001	001
76	0511064656	DRAWBAR PIVOT		001	001	001	001	001	001
77	0521066580	CYLINDER FIXER		001	001	001	001	001	001
78	0511064433	REGULATOR SPINDLE 1-3/4		001	001	001	001	001	001
79	0501010333	1.3/4" NUT		002	002	002	002	002	002
80	0521012538	1.2" X 3.5" COUPLING SHAFT		001	001	001	001	001	001
81	0501010276	BOLT		004	004	004	004	004	004
82	0501010059	1.5/8 NUT		004	004	004	004	004	004
83	0521012053	1.5" X 8.6" AXLE		001	001	001	001	001	001
84	0531019171	1.25" X 7" COUPLING SHAFT		001	001	001	001	001	001



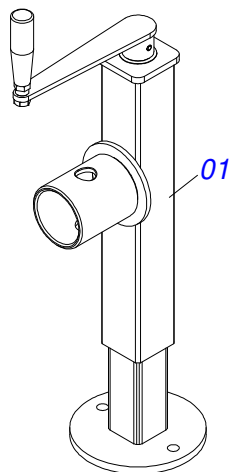
Item	Code	Description	See page	QT
01	0511071192	TRACTION BAR BODY		01
02	1902040223	PIN HITCH		01
03	1902040327	LOCK SLEEVE		01
04	0521012545	COUPLING SHAFT		01
05	0501011301	1.1/2 UNC 6FPP 2.5/16 NUT		06
06	0503010010	1/4" X 2.1/2" COTTERPIN		06
07	0511014902	COUPLING SHAFT		01
08	0503010571	1/4" X 1.1/2 COTTERPIN		01
09	1902040733	U COUPLING HOOK		01
10	0521011880	37,5 X 242 COUPLING SHAFT		05
11	0501012916	FLAT WASHER 38,50 X 66 X 4,75 ZN		05
12	0511067825	UPPER PLATE		01
13	0511067826	LOWER PLATE		01



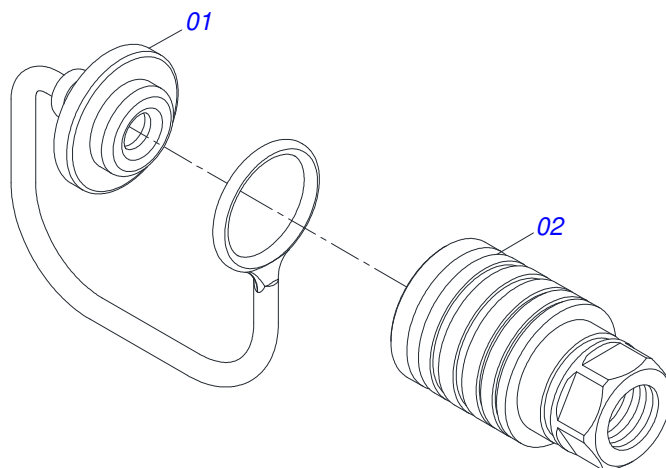
Item	Code	Description	See page	QT
01	0503012108	RODA 10 LB X 15 X 8F X 203 GCRO		01
02	0503010860	CAMARA AR 11L 15		01
03	0503011469	RIB TIRE 12L		01



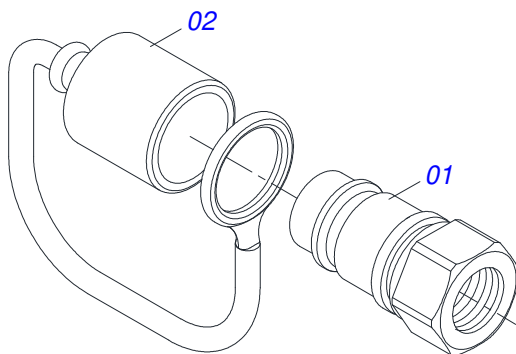
Item	Code	Description	See page	QT
01	0501069483	WHEEL		01
02	0503012112	400/60 - 15.5 TR 15 INNER TIRE		01
03	0503013119	CANVAS TIRE		01



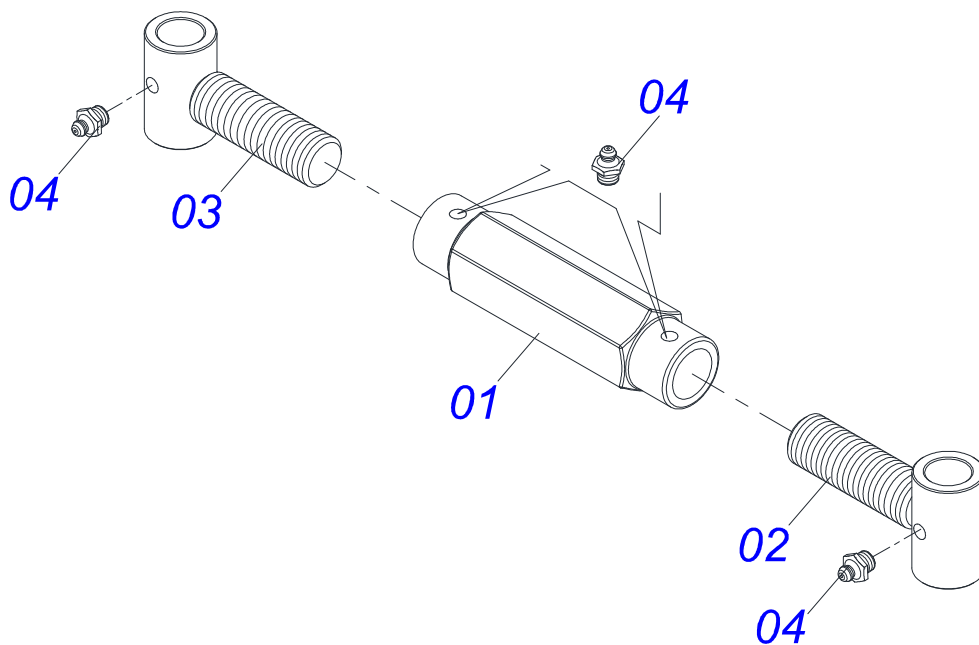
Item	Code	Description	See page	QT
01	0503062227	DRAWBAR JACK		01



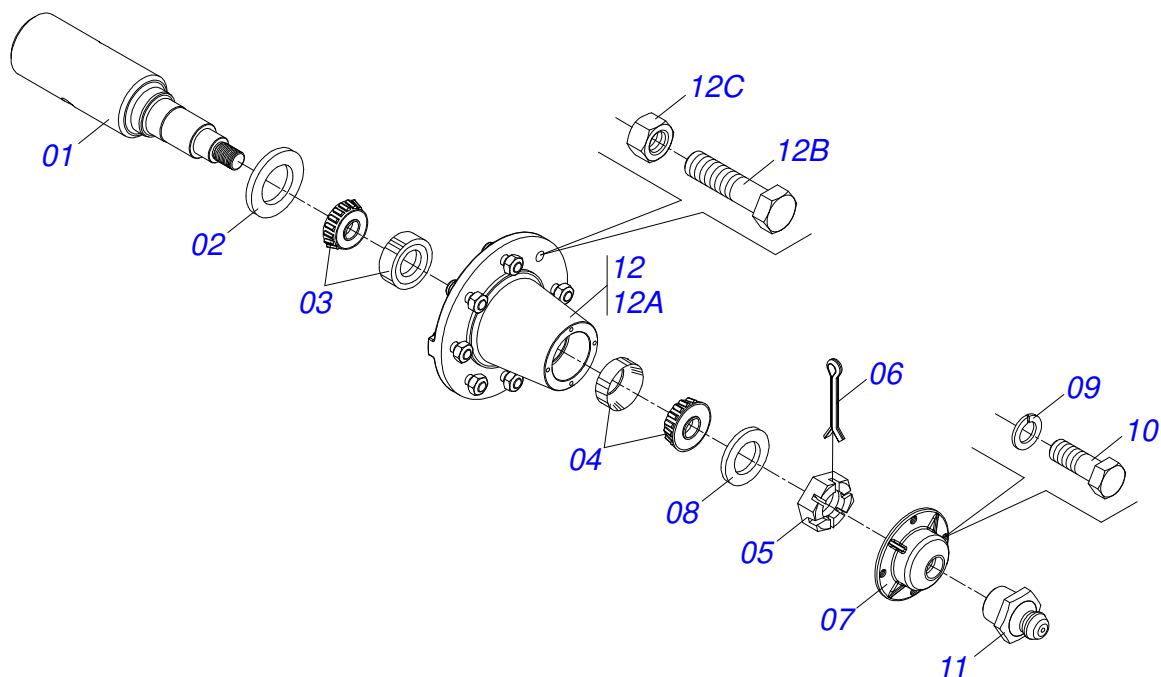
Item	Code	Description	See page	QT
01	0503011883	QUICK CONNECTION COVER		01
02	0503011628	FEMALE QUICK COUPLER		01



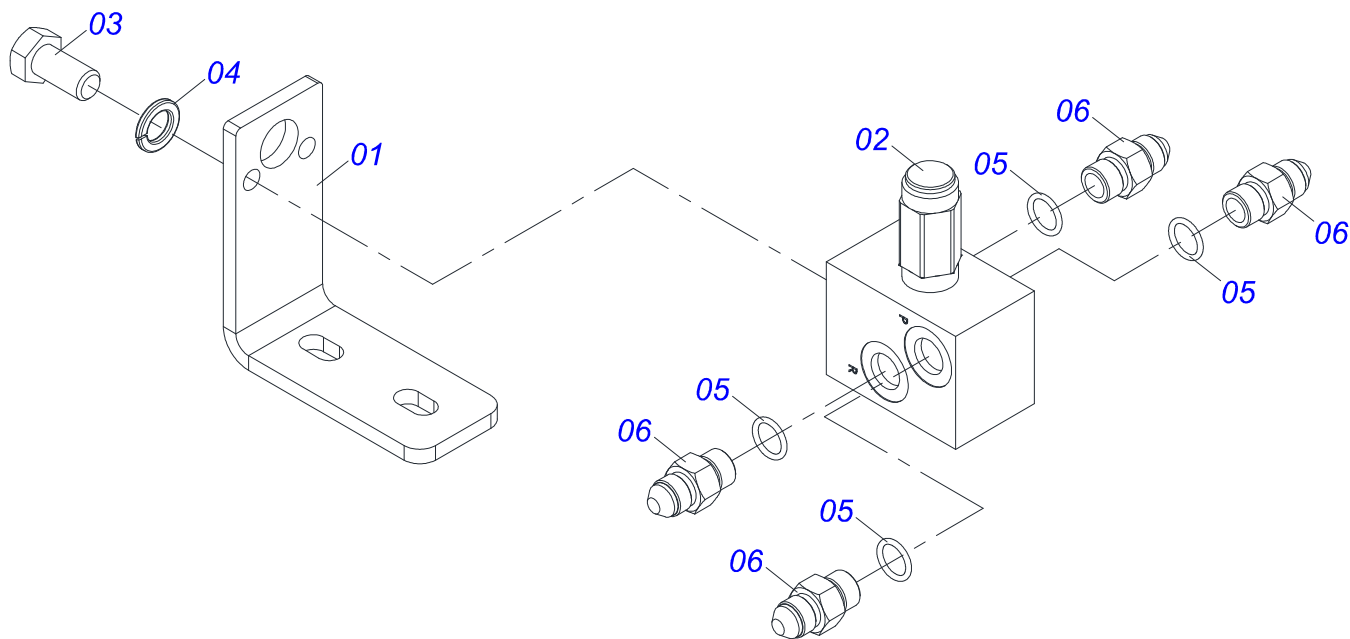
Item	Code	Description	See page	QT
01	0503011627	MALE QUICK COUPLER AGR 1/2 NPT		01
02	0503011882	MALE QUICK COUPLER CAP		01



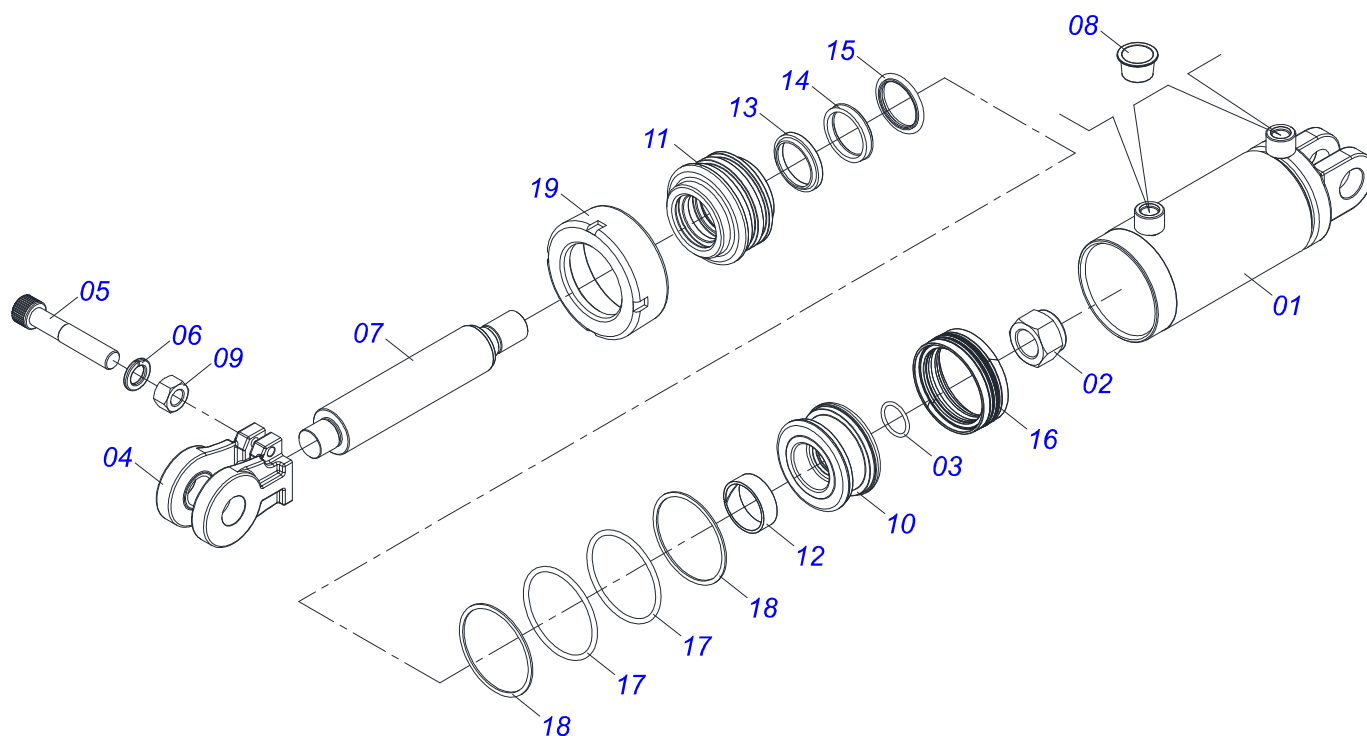
Item	Code	Description	See page	QT
01	0502011469	245 ADJUSTMENT NUT		01
02	0501069416	JACKET		01
03	0501069417	JACK CRANK		01
04	0503010002	1800 GREASE FITTING		04



Item	Code	Description	See page	QT
01	0541016566	POINT AXIS 3.1/2 X 375		01
02	0503013314	RETENTOR 5166-GB 63,5 X 110 X 13 ARCA		01
03	0503015290	3780/3720 ROLLER BEARING		01
04	0503014821	ROLLER BEARING		01
05	0503830009	1" X 0.9" CASTLE NUT		01
06	0503010018	5/32 X 1-1/2 COTTERPIN		01
07	0502020591	PROTECCION COVER		01
08	0511812492	FLAT WASHER		01
09	0503011444	SPRING WASHER		04
10	0503810358	5/16" X 7/8" UNC BOLT		04
11	0503010002	1800 GREASE FITTING		01
12	0501110738	CARRYING WHEEL HUB		01
12A	0502012260	CAIXA RODADO TRANSPORTE		01
12B	0501010186	WHEEL SCREW 5/8UNF X 2.1/8CR		08
12C	0503010064	5/8 UNF CONIC NUT		08

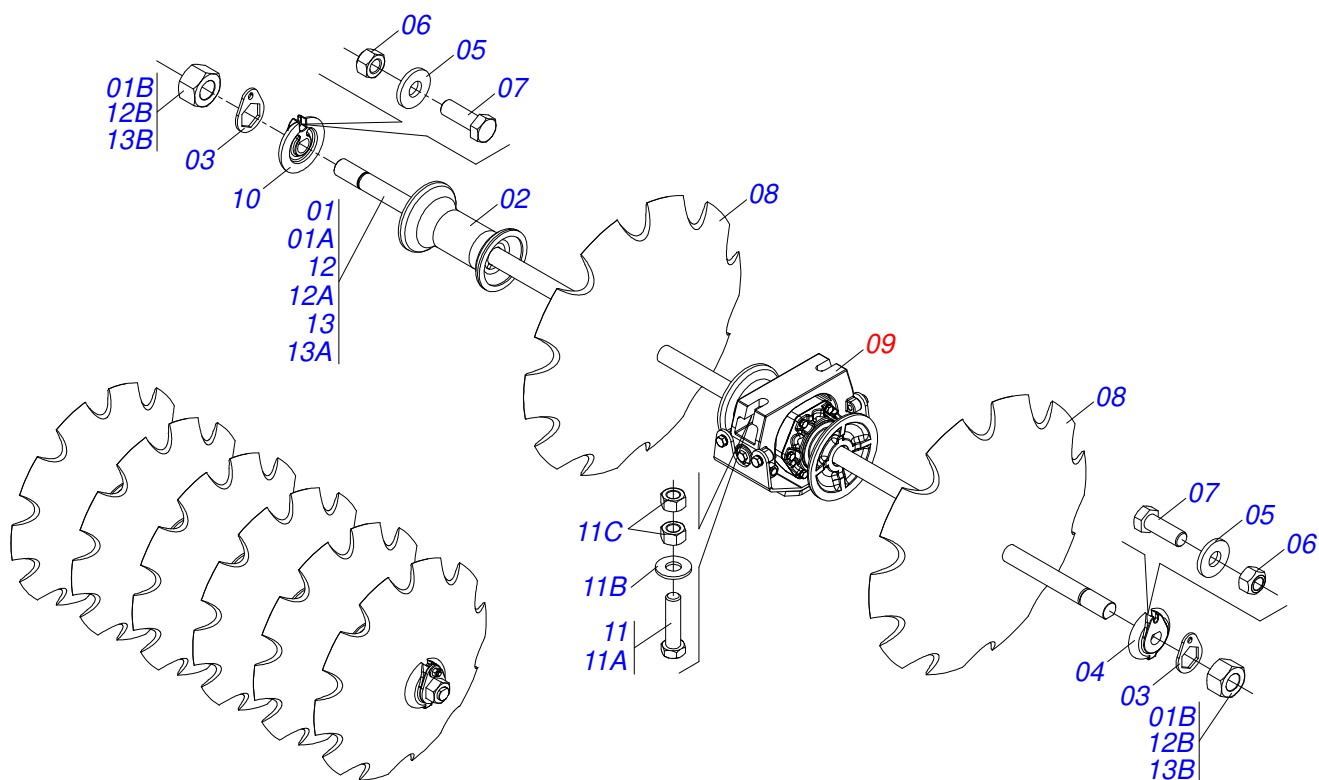


Item	Code	Description	See page	QT
01	0581011745	VALVE SUPPORT		01
02	0503010919	DISCHARGE VALVE		01
03	0503011334	BOLT 3/8 UNC X 3/4 CS G.5 ZN		02
04	0503010025	3/8" SPRING WASHER		02
05	0503010190	2-114 N 3006-9B O'RING		04
06	0501010617	3/4" NIPPLE		04

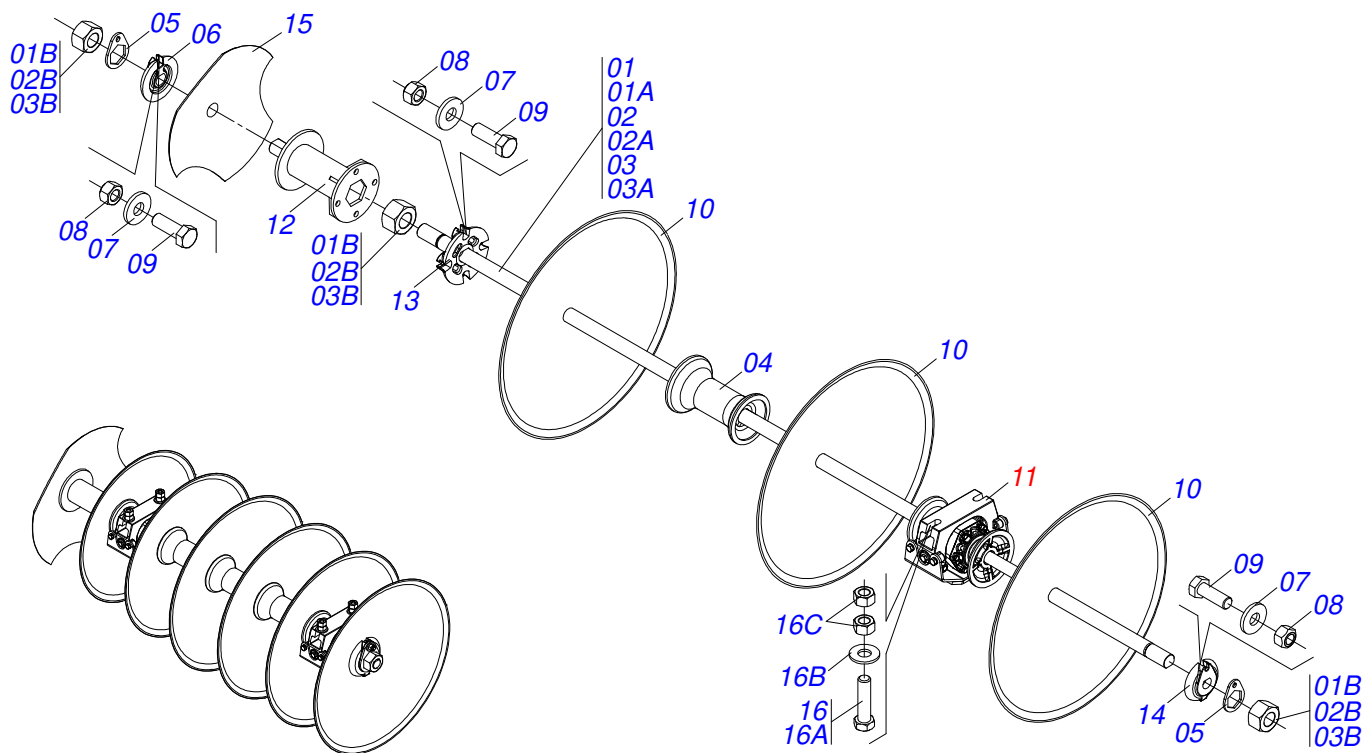


Item	Code	Description	See page	QT
01	0521066575	101,60 X 298 CYLINDER CASE		01
02	0503010817	1.1/4" SELF LOCKING NUT		01
03	0503018029	2-217 O'RING		01
04	0502040747	32.54 CLEVIS CLAMP		01
05	0503011094	3/8" X 2" BOLT		01
06	0503011443	3/8" SPRING WASHER		01
07	0581010749	50,80 X 294 TURNBUCKLE		01
08	0503030384	CON PLUG N-001		02
09	0503010026	3/8" NUT		01
10	0502012820	50.80 X 101.60 PISTON		01
11	0502012821	50.80 X 101.60 RING SUPPORT		01
12	0503018025	RING GUIDE		01
13	0503010039	D-2000 SCRAPER RING		01
14	0503018026	1870-2000-375 B GASKET		01
15	0503018024	RING BS		01
16	0503015633	SELEMASTER SEALING		01
17	0503010338	2-342 N 3006-9B O'RING		02
18	0503011061	8-342 BACK-UP RING		02
19	0502012822	101.60 END CAP		01

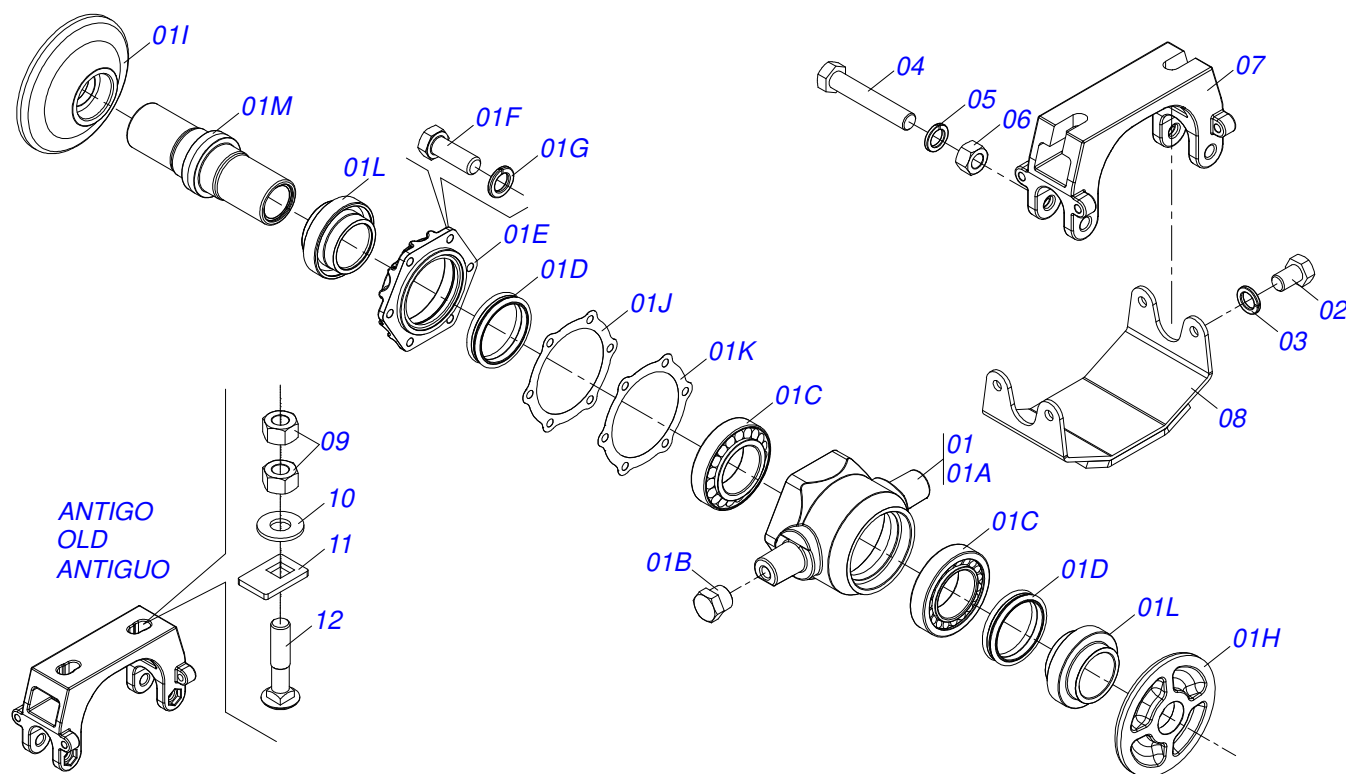
FRONT DISCS SECTION



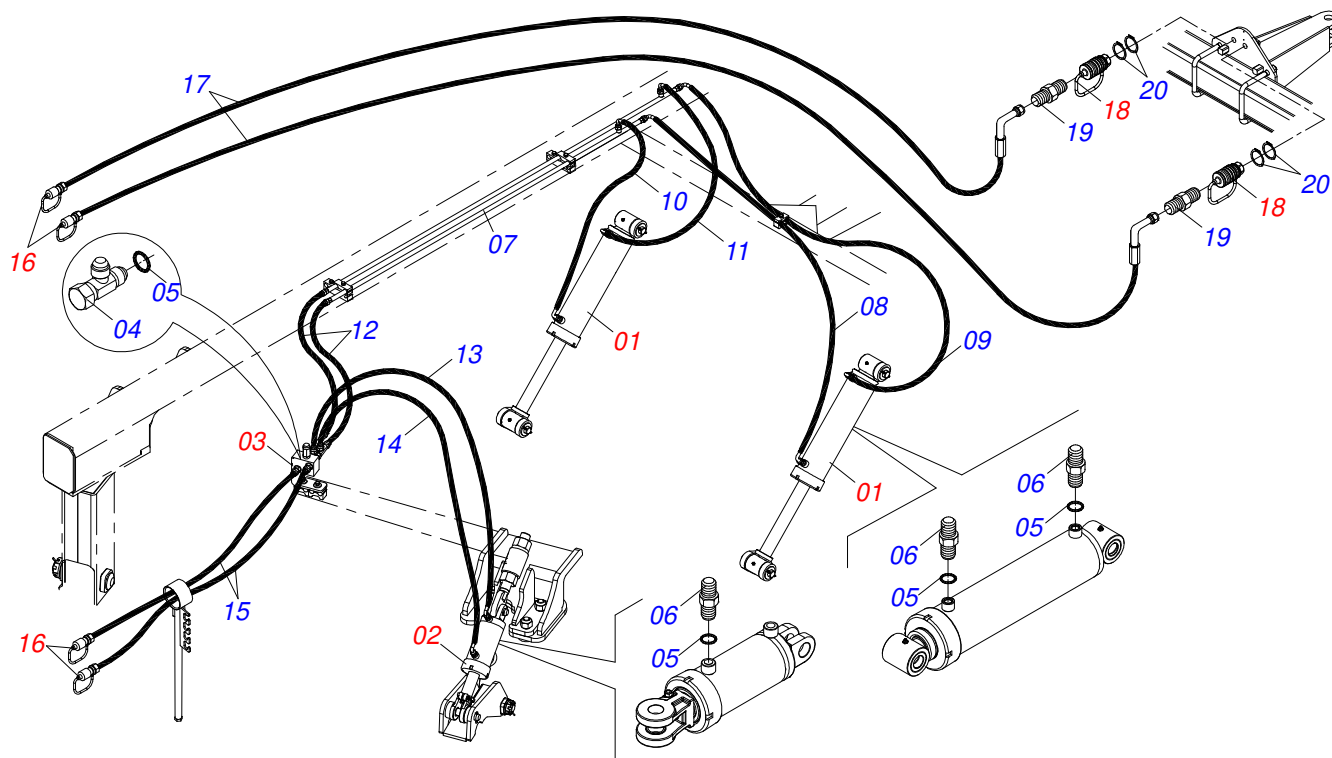
Item	Code	Description	See page	028	032	036	040	044	048
01	0501046859	1-5/8" X 70" AXLE WITH NUTS 2-3/4"		002	000	000	004	000	000
01A	0501015631	1-5/8" X 70" AXLE		002	000	000	004	000	000
01B	0502840640	1.5/8" 2.3/4" NUT		004	000	000	008	000	000
02	0502010703	10.35" 1-5/8" SPACER		008	007	009	011	010	012
03	0511014339	1-5/8" 2.8" NUT LOCK		004	006	006	006	008	008
04	0502011048	1-5/8" EXTERNAL AXLE WASHER		002	003	003	003	004	004
05	0501012140	FLAT WASHER		004	006	006	006	008	008
06	0503012412	5/8 UNC SELF LOCKING NUT		004	006	006	006	008	008
07	0503010232	5/8" X 1.3/4" BOLT		004	006	006	006	008	008
08	0602040155	30 X 7,5 NOTCHED DISC BLADE		014	016	018	020	022	024
09	0511048366	OSCILLATING BEARING ASSY	14	004	006	006	006	008	008
10	0502011047	1-5/8" INNER AXLE WASHER		002	003	003	003	004	004
11	0521047424	SCREW ASSY		008	012	012	012	016	016
11A	0501010500	3/4"X3"BOLT		008	012	012	012	016	016
11B	0501010322	FLAT WASHER		008	012	012	012	016	016
11C	0503012183	SNC 3/4" ZIN 1K03097 NUT		016	024	024	024	032	032
12	0501046854	1-5/8" X 48" AXLE WITH NUTS 2-3/4"		000	002	000	000	002	000
12A	0501019016	1-5/8 X 48" AXLE		000	002	000	000	002	000
12B	0502040640	1.5/8" 2.3/4" NUT		000	004	000	000	004	000
13	0501046856	1-5/8" X 59" AXLE WITH NUTS 2-3/4"		000	001	003	002	002	004
13A	0501019012	1-5/8" X 59" AXLE		000	001	003	002	002	004
13B	0502040640	1.5/8" 2.3/4" NUT		000	002	006	004	004	008



Item	Code	Description	See page	028	032	036	040	044	048
01	0501046856	1-5/8" X 59" AXLE WITH NUTS 2-3/4		000	001	003	001	002	004
01A	0501019012	1-5/8" X 59" AXLE		000	001	003	001	002	004
01B	0502840640	1.5/8" 2.3/4" NUT		000	002	006	002	004	008
02	0501046859	1-5/8" X 70" AXLE WITH NUTS 2-3/4"		002	000	000	002	000	000
02A	0501015631	1-5/8" X 70" AXLE		002	000	000	002	000	000
02B	0502040640	1.5/8" 2.3/4" NUT		004	000	000	004	000	000
03	0501046854	1-5/8" X 48" AXLE WITH NUTS 2-3/4		000	002	000	000	002	000
03A	0501019016	1-5/8 X 48" AXLE		000	002	000	000	002	000
03B	0502040640	1.5/8" 2.3/4" NUT		000	004	000	000	004	000
04	0502010703	10.35" 1-5/8" SPACER		004	000	009	011	010	012
05	0511014339	1-5/8" 2.8" NUT LOCK		004	000	006	006	008	008
06	0502011048	1-5/8" EXTERNAL AXLE WASHER		002	000	003	003	004	004
07	0501012140	FLAT WASHER		008	010	010	010	012	012
08	0503012412	5/8 UNC SELF LOCKING NUT		008	010	010	010	012	012
09	0503010232	5/8" X 1.3/4" BOLT		008	010	010	010	012	012
10	0601039833	DL28X7,5 C102AF02FR1.11/16 TATU		001	001	001	001	001	001
10.	0601042074	DL30X7,5 C105AF02FR1.11/16 TATU		012	014	016	018	020	022
10..	0601033215	26"X 0.2" PLAIN DISC BLADE		001	001	001	001	001	001
11	0511048366	OSCILLATING BEARING ASSY	14	004	006	006	006	008	008
12	0511067146	10.35" AXLE 1-5/8" SPACER		001	001	001	001	001	001
13	0502012377	1-5/8" EXTERNAL AXLE LOK		001	001	001	001	001	001
14	0502011047	1-5/8" INNER AXLE WASHER		002	003	003	003	004	004
15	0602030445	24 X 6 NOTCHED DISC BLADE		001	001	001	001	001	001
16	0521047424	SCREW ASSY		008	012	012	012	016	016
16A	0501010500	3/4"X3"BOLT		008	012	012	012	016	016
16B	0501010322	FLAT WASHER		008	012	012	012	016	016
16C	0503012183	SNC 3/4" ZIN 1K03097 NUT		016	024	024	024	032	032



Item	Code	Description	See page	QT
01	0501059723	OSCILLATING BEARING		01
01A	0502012343	AGRICULTURAL HOUSING BEARING		01
01B	0503010856	OIL PLUG		02
01C	0503013496	3982/3920 ROLLER BEARING		02
01D	0503030027	DUO-CONE SEAL		02
01E	0502020161	WEAR PLATE BEARING		01
01F	0503010237	3/8" X 1" BOLT		06
01G	0503011443	3/8" SPRING WASHER		06
01H	0502040240	INNER FLANGE		01
01I	0502040239	OUTER FLANGE		01
01J	0503030030	5.6" X 4.4" X 0.01" GASKET		01
01K	0503030685	5.5" X 4.4" X 0.003" GASKET		01
01L	0502010736	SEAL RETAINER		02
01M	0502010740	AXLE TK		01
02	0503011401	1/2" X 3/4" BOLT		04
03	0503010019	1/2" SPRING WASHER		04
04	0503010762	SCREW 5/8 UNC X 3.1/2 CS G.5 ZN		02
05	0503010027	5/8" SPRING WASHER		02
06	0503010013	5/8" NUT		02
07	0502012626	CENTER OSCILLATING BEARING SUPPORT		01
08	0521067341	BEARING SWING COVER WITH ENHANCED		01
09	0503010014	3/4" NUT		04
10	0501010322	FLAT WASHER		02
11	0541014269	3/4 SQUARE WASHER		02
12	0501010950	3/4" X 3-1/2" BOLT		02



Item	Code	Description	See page	QT
01	0521051832	HYDRAULIC CYLINDER 53,98 X 114,30 X 654 X 346		02
02	0521046001	50,80 X 101,60 X 410 X 107 HYDRAULIC CILINDER	11	01
03	0511059196	VALVE ASSY	10	01
04	0503011968	3/4" 8R6X-S T ADAPTER WITH SWIVEL NUT		02
05	0503010190	2-114 N 3006-9B O'RING		06
06	0501010617	3/4" NIPPLE		04
07	0521066937	DUCT DISTRIBUTOR OF OIL		02
08	0501080370	TC-TC HOSE ASSY		01
09	0501080644	3/8" X 78.7" TC-TC HOSE ASSY		01
10	0501080065	3/8 X 1200 TC-TC HOSE ASSY		01
11	0501082058	HOSE 3/8 X 800 TC-TC		01
12	0501080106	TR-TR HOSE ASSY		02
13	0501080302	TR-TC HOSE ASSY		01
14	0501080436	HOSE 3/8 X 1500 TR-TC		01
15	0501080205	HOSE 3/8 X 5500 TR-TM		02
16	0501053834	MALE QUICK COUPLER WITH CAP - 1/2 NPT	7	04
17	0501081322	3/8" X 11500 TC-TM HOSE		02
18	0501053835	FEMALE QUICK COUPLER	6	02
19	0561014252	3/4 UNF X 44 NIPPLE WITH REDUCTION		02
20	0503010217	501040 CLAMPING RING (FOR AXLE)		04



MARCHESAN

Technical Publications | Elaboration and Revision

ALESSANDRA PATRICIA KAWAHARA CARRILI

www.marchesan.com.br

