

**OFFSET DISK HARROW**

# **GCRO 7010 (AXLE 1.5/8") RIGID HYDRAULIC 36-40 DISCS**

**Code:** 0501091971  
**Series:** S-0915  
**Revision:** 00  
**Date Revision:** JUNHO/2021

# **PARTS CATALOGUE**



**MARCHESAN**



# PRODUCTS

Code	Description
0102560188	GCRO 7010 36X28X7,5 DMO ESPECIAL S-0915
0102560149	GCRO 7010 36X28X7,5 DMO ESPECIAL S-0915
0102560159	GCRO 7010 36X28X7,5 DMO ESPECIAL S-0915
0102560193	GCRO 7010 36X30X7,5 DMO ESPECIAL S-0915
0102560156	GCRO 7010 36X30X7,5 DMO ESPECIAL S-0915
0102560187	GCRO 7010 40X28X7,5 DMO ESPECIAL S-0915
0102560160	GCRO 7010 40X28X7,5 DMO ESPECIAL S-0915
0102560150	GCRO 7010 40X28X7,5 DMO ESPECIAL S-0915
0102560175	GCRO 7010 40X30X7,5 DMO ESPECIAL S-0915

## ATTENTION: IMPORTANT

Marchesan S.A. reserves the right to improve and / or modify the technical features of its products, without obligation to do the same with those products already sold and without prior knowledge of the dealer or the consumer.

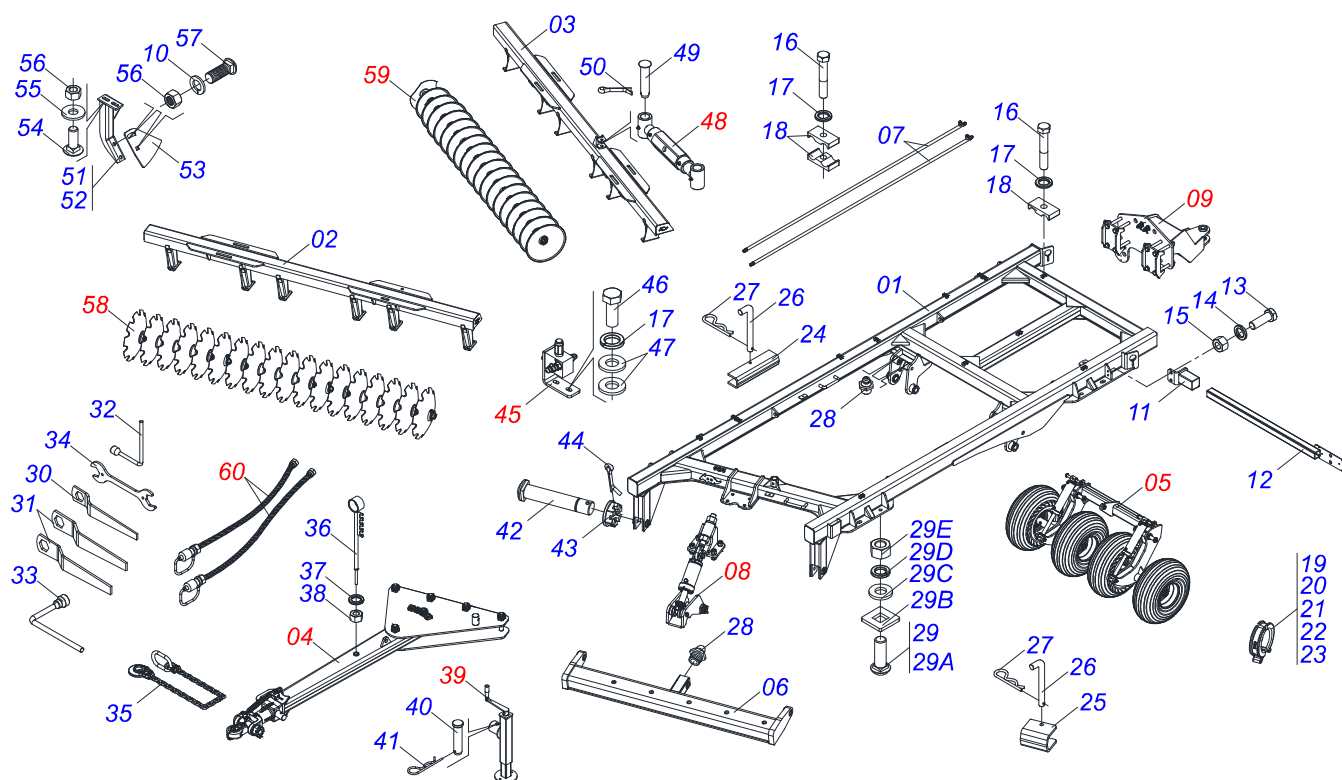


**MARCHESAN**

# INDEX

0909092731	FRAME ASSY	.....	1
0511041592	DRAWBAR ASSY	.....	2
0531040171	ASSY HITCH	.....	3
0909092739	WHEEL ASSY	.....	4
0501052005	STABILIZER FOR GANG	.....	5
0511059196	VALVE ASSY	.....	6
0511048088	DRAWBAR JACK	.....	7
0521051832	HYDRAULIC CYLINDER 53,98 X 114,30 X 654 X 346	.....	8
0503060102	WHEEL AND TIRE	.....	9
0501056467	STUB SHAFT & HUB ASSY	.....	10
0909092740	HEAD ARTICULATED ASSY	.....	11
0521046001	50,80 X 101,60 X 410 X 107 HYDRAULIC CILINDER	.....	12
0909092741	REAR COUPLING KIT	.....	13
0501053835	FEMALE QUICK COUPLER	.....	14
0909092742	FRONT DISC SECTION	.....	15
0909092743	REAR DISC SECTION	.....	16
0511048366	OSCILLATING BEARING ASSY	.....	17
0909092744	HYDRAULIC CIRCUIT	.....	18
0909092729	HYDRAULIC CIRCUIT WITH REAR COUPLING	.....	19

FRAME ASSY



Item	Code	Description	See page	036	040
01	0521066477	FRAME		001	001
02	0521066681	FRONT FRAME - 36D		001	000
02.	0521066683	FRONT FRAME - 40D		000	001
03	0521066682	REAR FRAME - 36D		001	000
03.	0521066684	REAR FRAME - 40D		000	001
04	0511041592	DRAWBAR ASSY	2	001	001
05	0909092739	WHEEL ASSY	4	001	001
06	0521066494	HITCH BAR		001	001
07	0521066937	DUCT DISTRIBUTOR OF OIL		002	002
08	0909092740	HEAD ARTICULATED ASSY	11	001	001
09	0909092741	REAR COUPLING KIT	13	001	001
10	0503010027	5/8" SPRING WASHER		078	098
11	0521066624	FIXER SUPPORT LANTERN		002	002
12	0521066443	SUPPORT FIXER LANTERN		002	002
13	0503011082	C1/2" X 1.3/4" SCREW		004	004
14	0503010019	1/2" SPRING WASHER		004	004
15	0503010060	1/2" NUT		004	004
16	0503011103	7/16" X 2-1/2" BOLT		002	002
17	0503010180	7/16" SPRING WASHER		007	007
18	0502010477	HOSE CLAMP		009	009
19	0501047895	ROD STOP		006	006
20	0501047885	ROD STOP		003	003
21	0501047886	ROD STOP		003	003
22	0501047887	ROD STOP		003	003
23	0501047888	ROD STOP		003	003
24	0561016693	TRANSPORT LOCK		002	002
25	0581010751	TRANSPORT LOCK		001	001
26	0541016844	FIXER LOCK		003	003
27	0503030285	HAIR PIN		003	003
28	0503010002	1800 GREASE FITTING		015	015
29	0501041102	1-1/4" X 3-3/4" ASSY BOLT		008	008

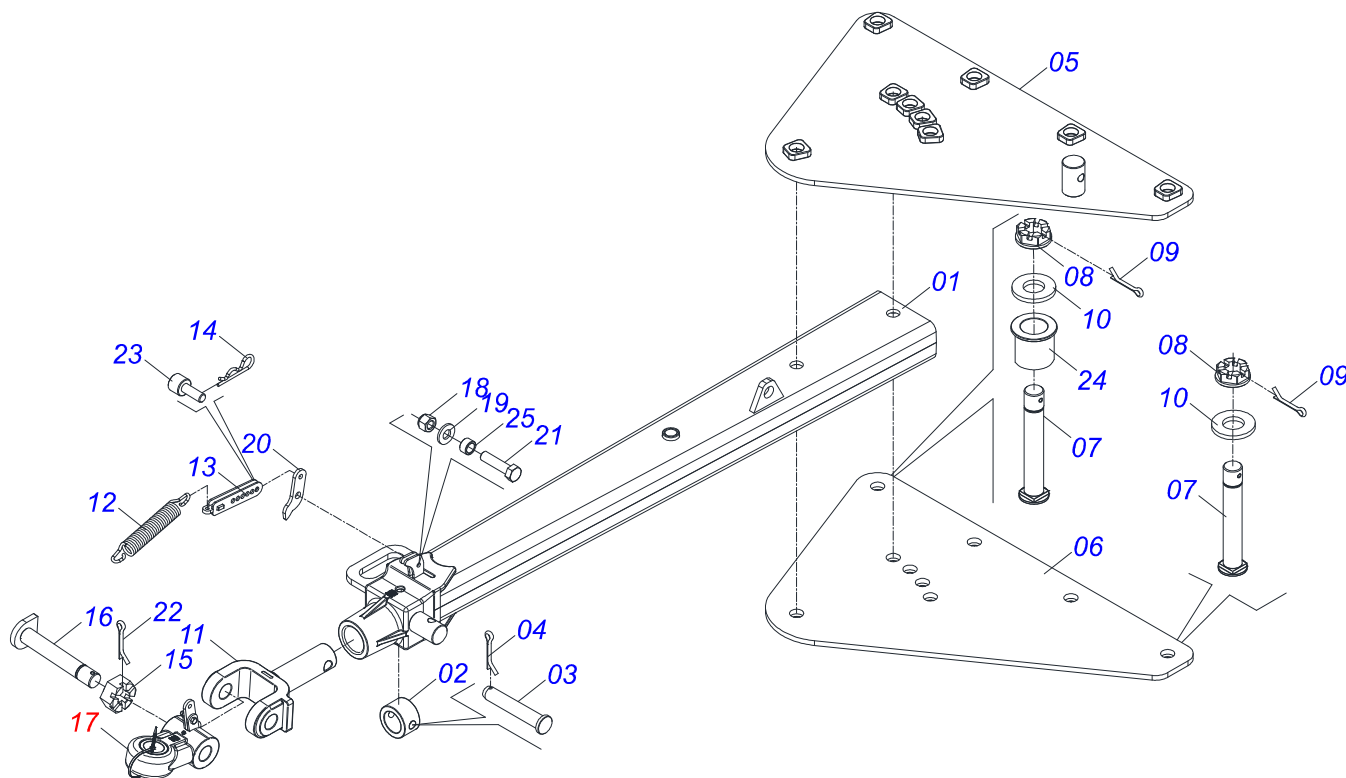


## FRAME ASSY

0909092731

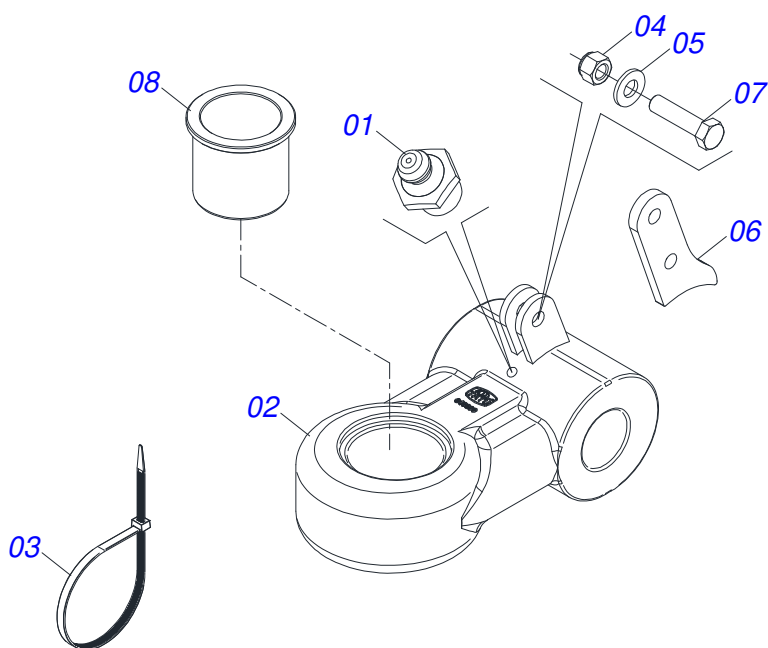
Item	Code	Description	See page	036	040
29A	0501015348	1-1/4" X 3-3/4" BOLT		008	008
29B	0501010953	1-1/4" SQUARE WASHER		008	008
29C	0531010713	FLAT WASHER		008	008
29D	0503010070	SPRING WASHER		008	008
29E	0501010087	1.1/4" NUT		008	008
30	0501011432	1-1/2" AND 1-5/8 GANG BOLT WRENCH		001	001
31	0501011431	1-3/4" GANG BOLT WRENCH		002	002
32	0503018438	1" WRENCH CYLINDRICAL HEX		001	001
33	0503016137	1-1/4" WRENCH CABLE CYLINDER		001	001
34	0541015451	FIXED KEY 2.3/8 X 2.3/4		001	001
35	0503013150	1300 X 3/8 CHAIN		001	001
36	0521062849	HOSE HOLDER ASSY		001	001
37	0503010023	3/4" SPRING WASHER		007	007
38	0503010014	3/4" NUT		005	005
39	0511048088	DRAWBAR JACK	7	001	001
40	0561014251	COUPLING SHAFT		001	001
41	0503030012	HAIR PIN		001	001
42	0531018100	37,50 X 200 COUPLING SHAFT		002	002
43	0501011301	1.1/2 UNC 6FPP 2.5/16 NUT		002	002
44	0503010010	1/4" X 2.1/2" COTTERPIN		002	002
45	0511059196	VALVE ASSY	6	001	001
46	0503011135	BOLT		003	003
47	0501012803	FLAT WASHER		002	002
48	0501052005	STABILIZER FOR GANG	5	001	001
49	0521810546	AXIS		002	002
50	0503010523	1/4" X 2" COTTERPIN		004	004
51	0511065926	FRONT SCRAPER SUPPORT		018	020
52	0511065925	REAR SCRAPER SUPPORT		019	021
53	0561014263	CLEANER SHOVEL		037	041
54	0503013842	5/8" UNC X 1-3/4" BOLT		074	082
55	0501012140	FLAT WASHER		074	082
56	0503010013	5/8" NUT		148	164
57	0503012195	5/8" NUT		074	082
58	0909092742	FRONT DISC SECTION	15	001	001
59	0909092743	REAR DISC SECTION	16	001	001
60	0909092744	HYDRAULIC CIRCUIT	18	001	001
60.	0909092729	HYDRAULIC CIRCUIT WITH REAR COUPLING	19	001	001

DRAWBAR ASSY

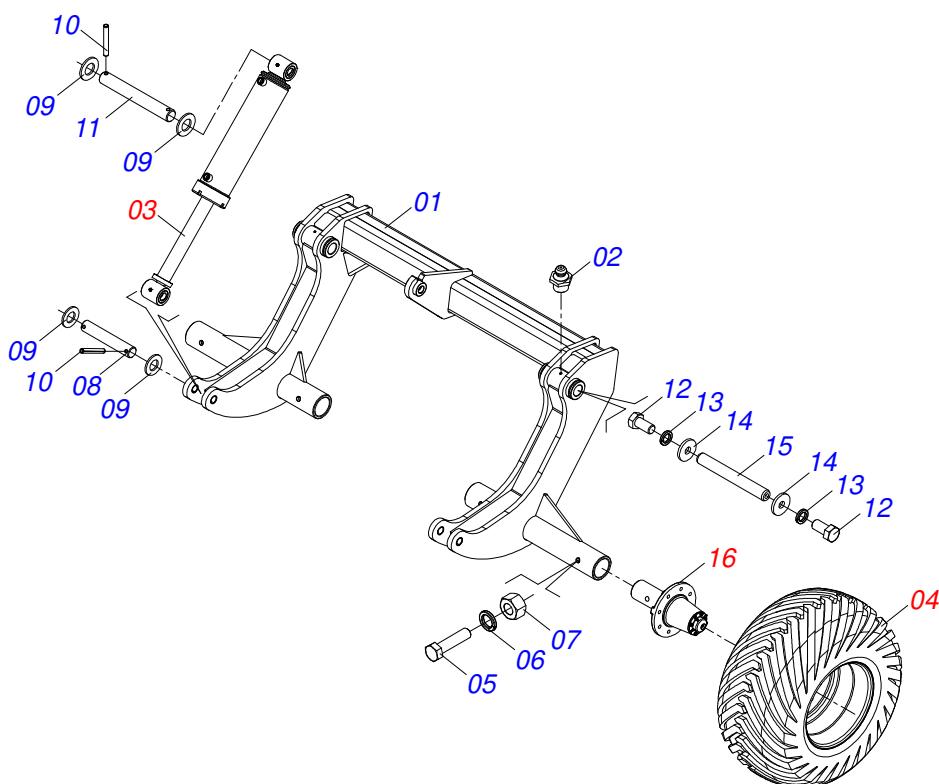


Item	Code	Description	See page	QT
01	0511064669	DRAWBAR ASSY		01
02	0502040263	ANEL TRAVA ENGATE		01
03	0561017306	COUPLING SHAFT		01
04	0503010523	1/4" X 2" COTTERPIN		01
05	0511064659	UPPER PLATE		01
06	0511064658	LOWER PLATE		01
07	0521011880	37,5 X 242 COUPLING SHAFT		06
08	0501011301	1.1/2 UNC 6FPP 2.5/16 NUT		06
09	0503010010	1/4" X 2.1/2" COTTERPIN		06
10	0501012916	FLAT WASHER 38,50 X 66 X 4,75 ZN		06
11	1902040897	TRACTOR HITCH		01
12	0503031741	1.8" X 11.4" 0.3" TRACTION SPRING		01
13	0531061607	SPRING REGULATOR		01
14	0503030285	HAIR PIN		01
15	0502040558	2" CASTLE NUT		01
16	0531061122	AXIS ARTICULATOR		01
17	0531040171	ASSY HITCH	3	01
18	0503010589	1/2" UNC SELF ADJUSTING NUT		01
19	0501010937	13.5 X 28 X 3 FLAT WASHER		01
20	0591014554	REAR EAR FIXING SPRING		01
21	0503010740	BOLT 1/2 UNC X 2 CS G.5 ZN		01
22	0503010074	3/8 X 0,15" COTTERPIN		01
23	0591014558	SPRING REGULATOR FIXER AXLE		01
24	0591013086	SLEEVE		01
25	0591014552	SLEEVE		01

ASSY HITCH

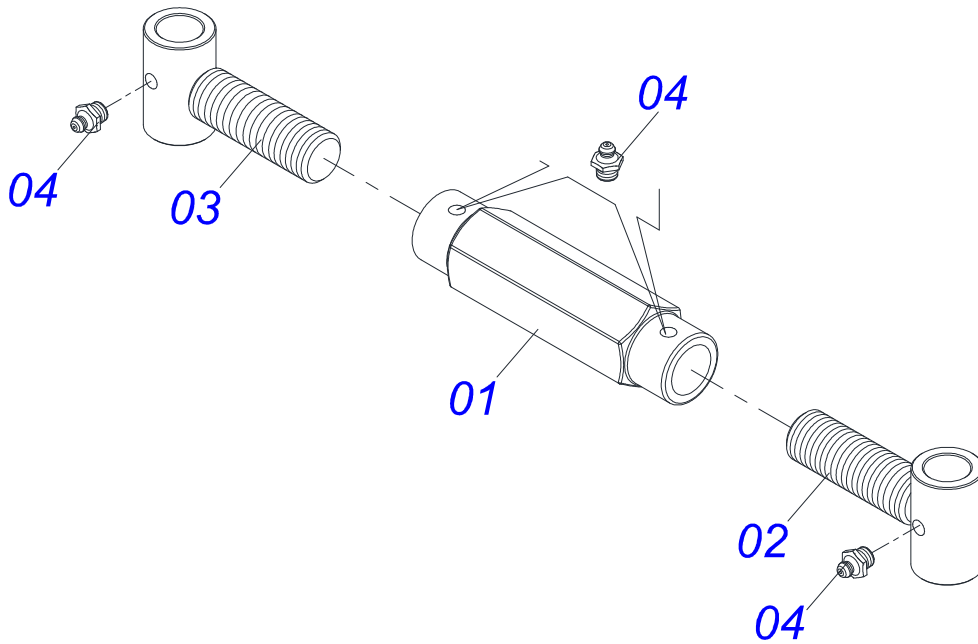


Item	Code	Description	See page	QT
01	0503010002	1800 GREASE FITTING		01
02	0531061121	HITCH		01
03	0503018829	NYLON CLAMP		01
04	0503010589	1/2" UNC SELF ADJUSTING NUT		01
05	0501010937	13.5 X 28 X 3 FLAT WASHER		01
06	0591014555	FRONT EAR FIXING SPRING		01
07	0503010740	BOLT 1/2 UNC X 2 CS G.5 ZN		01
08	0591013448	SLEEVE		01



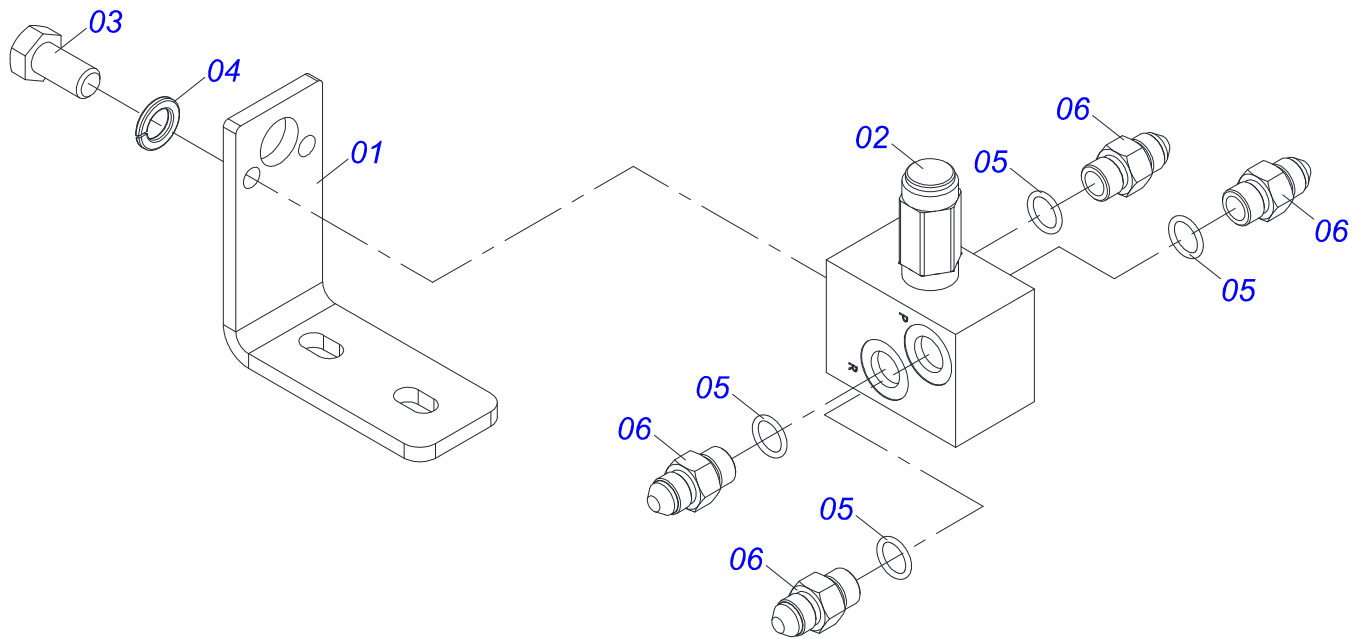
Item	Code	Description	See page	QT
01	0521066478	GCRO 7010 CARRYNG-WHEELS		01
02	0503010002	1800 GREASE FITTING		02
03	0521051832	HYDRAULIC CYLINDER 53,98 X 114,30 X 654 X 346	8	02
04	0503060102	WHEEL AND TIRE	9	04
05	0503011198	C3/4" X 6" SCREW		04
06	0503010023	3/4" SPRING WASHER		04
07	0503010014	3/4" NUT		04
08	0531018101	1.2" X 6.3" PIVOT SHAFT		02
09	0501017779	32 X 60 X 4.75 FLAT WASHER		08
10	0503011877	0.3" X 2.4" SPRING PIN		08
11	0531018105	1.2" X 11.8" PIVOT SHAFT		02
12	0503011250	1" X 2" BOLT		04
13	0503010012	1" SPRING WASHER		04
14	0521011565	FLAT WASHER		04
15	0531018062	COUPLING SHAFT		02
16	0501056467	STUB SHAFT & HUB ASSY	10	04



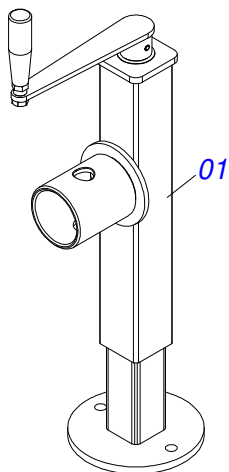


Item	Code	Description	See page	QT
01	0502011469	245 ADJUSTMENT NUT		01
02	0501069416	JACKET		01
03	0501069417	JACK CRANK		01
04	0503010002	1800 GREASE FITTING		04

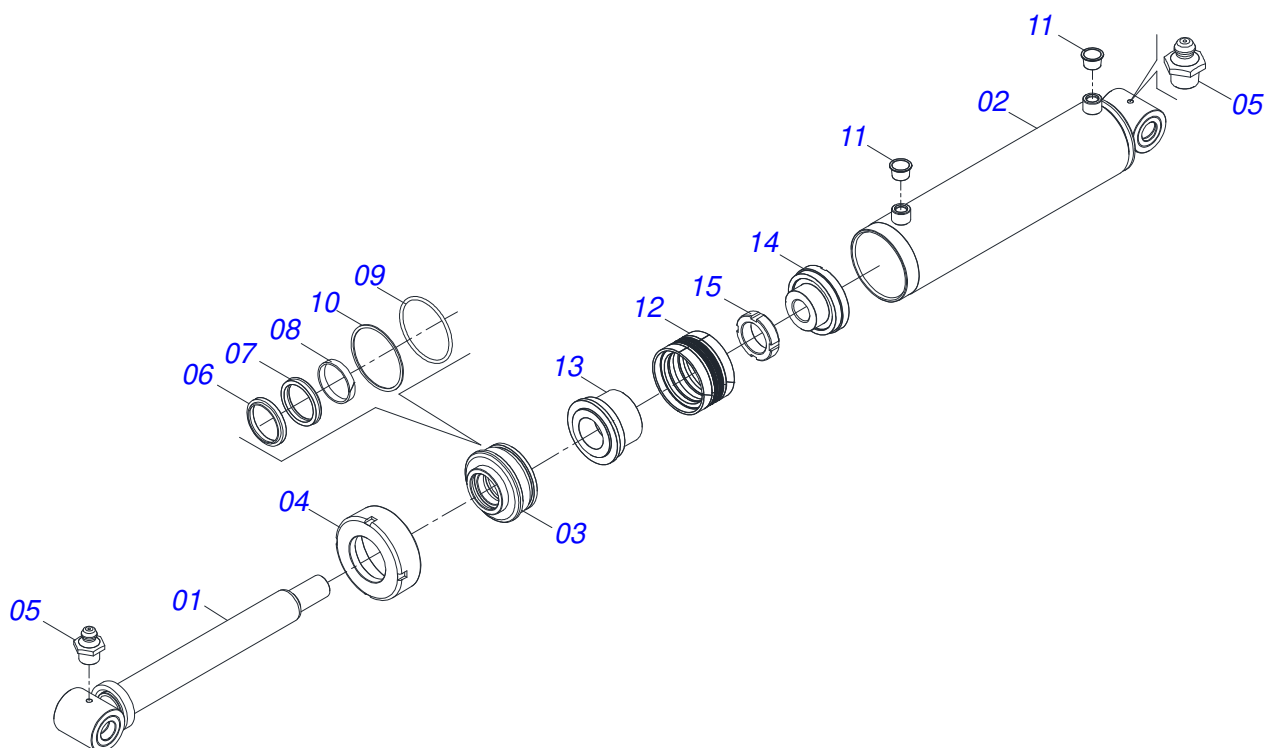
VALVE ASSY



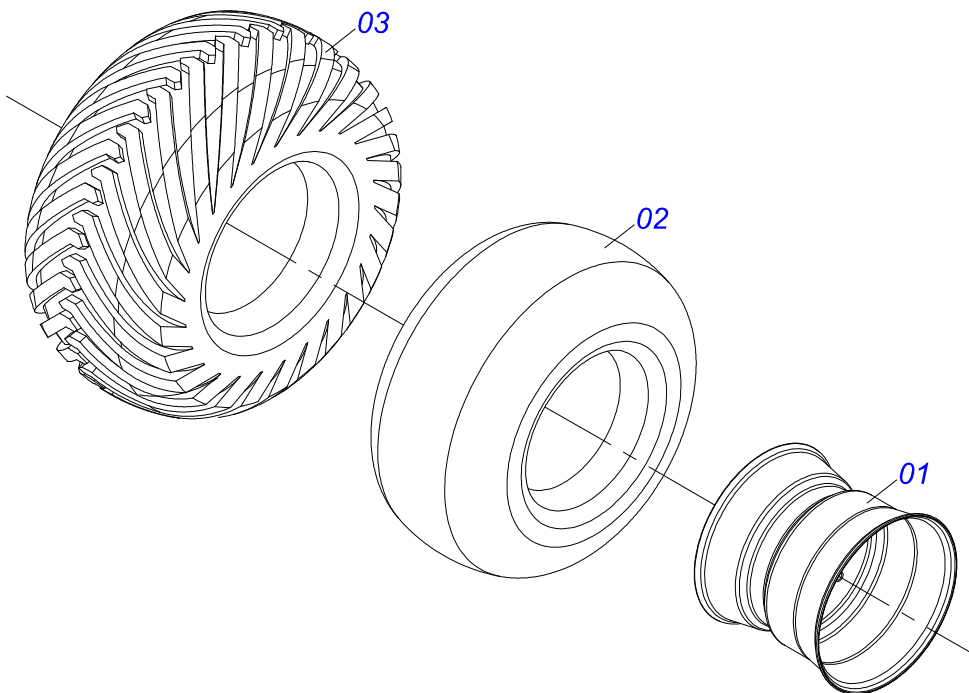
Item	Code	Description	See page	QT
01	0581011745	VALVE SUPPORT		01
02	0503010919	DISCHARGE VALVE		01
03	0503011334	BOLT 3/8 UNC X 3/4 CS G.5 ZN		02
04	0503010025	3/8" SPRING WASHER		02
05	0503010190	2-114 N 3006-9B O'RING		04
06	0501010617	3/4" NIPPLE		04



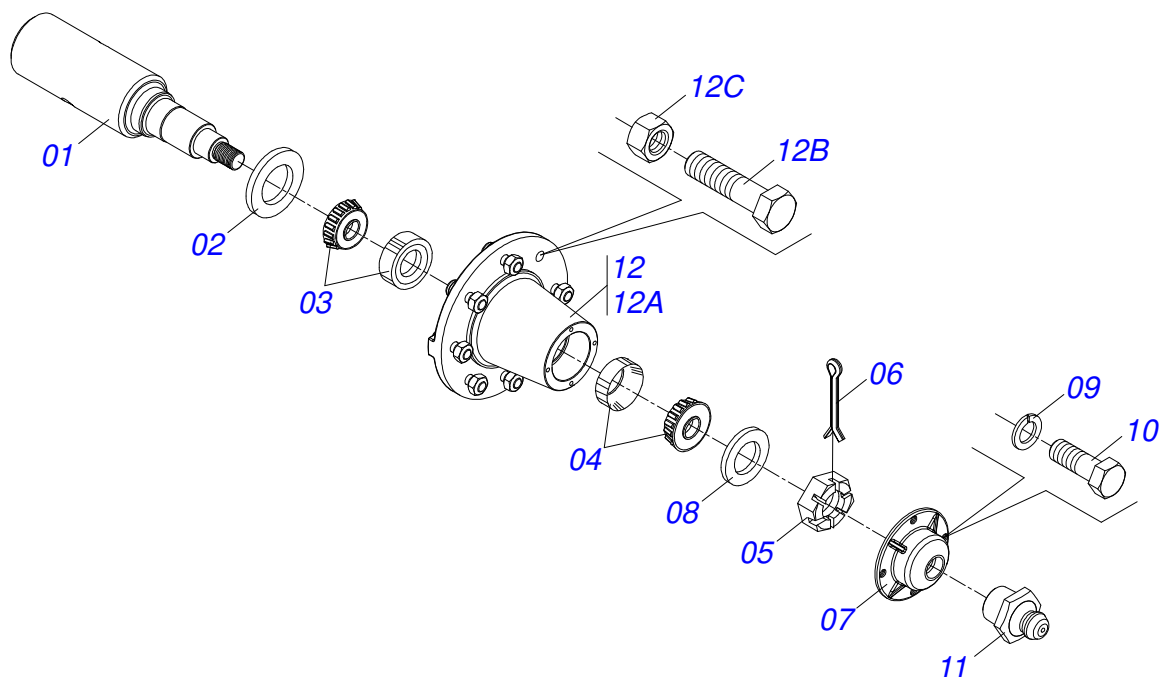
Item	Code	Description	See page	QT
01	0503062227	DRAWBAR JACK		01



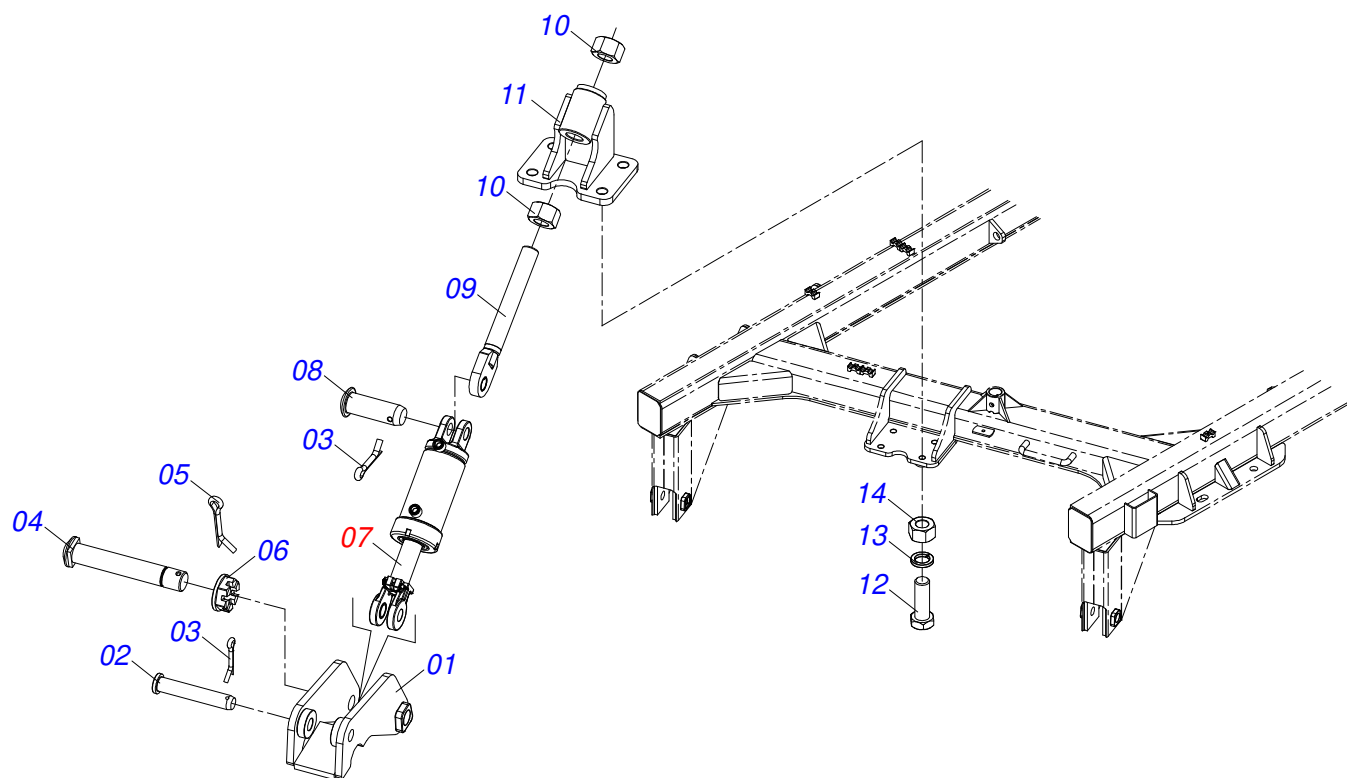
Item	Code	Description	See page	QT
01	0521061684	56,98 X 590,50 TURNBUCKLE		01
02	0521061685	114,30 X 500 CYLINDER CASE		01
03	0502012644	RING SUPPORT		01
04	0502011222	0.56" END CAP		01
05	0503010002	1800 GREASE FITTING		02
06	0503015715	SCRAPER SEALING		01
07	0503015642	U-CUP SEALING		01
08	0503015641	WEAR RING		00
09	0503011892	O' RING, 2-346 N 3006-9B		01
10	0503011893	BACK-UP RING, 8-346		01
11	0503030384	CON PLUG N-001		02
12	0503015640	SEALING SELEMASTER		01
13	0561016578	PISTON BODY		01
14	0581015283	BODY		01
15	0503819100	SCREW		01
16	0501038027	HYDRÁULIC CYLINDER REPAIR KIT		01



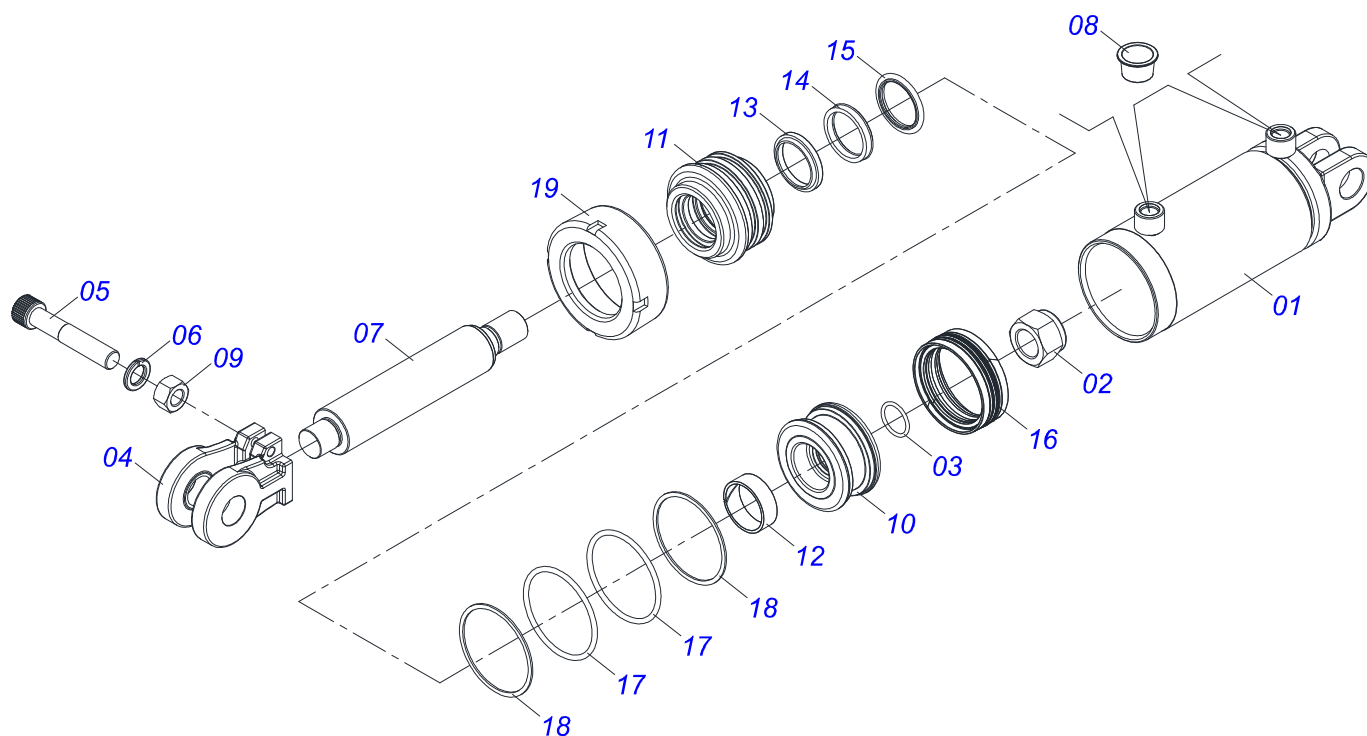
Item	Code	Description	See page	QT
01	0501069483	WHEEL		01
02	0503012112	400/60 - 15.5 TR 15 INNER TIRE		01
03	0503013119	CANVAS TIRE		01



Item	Code	Description	See page	QT
01	0541016566	POINT AXIS 3.1/2 X 375		01
02	0503013314	RETENTOR 5166-GB 63,5 X 110 X 13 ARCA		01
03	0503015290	3780/3720 ROLLER BEARING		01
04	0503014821	ROLLER BEARING		01
05	0503830009	1" X 0.9" CASTLE NUT		01
06	0503010018	5/32 X 1-1/2 COTTERPIN		01
07	0502020591	PROTECCION COVER		01
08	0511812492	FLAT WASHER		01
09	0503011444	SPRING WASHER		04
10	0503810358	5/16" X 7/8" UNC BOLT		04
11	0503010002	1800 GREASE FITTING		01
12	0501110738	CARRYING WHEEL HUB		01
12A	0502012260	CAIXA RODADO TRANSPORTE		01
12B	0501010186	WHEEL SCREW 5/8UNF X 2.1/8CR		08
12C	0503010064	5/8 UNF CONIC NUT		08

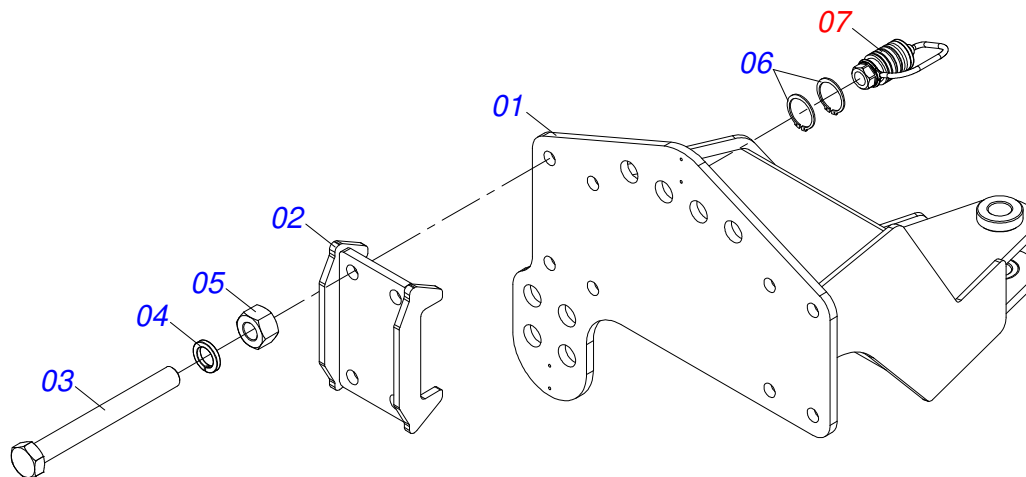


Item	Code	Description	See page	QT
01	0511064656	DRAWBAR PIVOT		01
02	0531019171	1.25" X 7" COUPLING SHAFT		01
03	0503010523	1/4" X 2" COTTERPIN		02
04	0521812053	1.5" X 8.6" AXLE		01
05	0503010010	1/4" X 2.1/2" COTTERPIN		01
06	0501011301	1.1/2 UNC 6FPP 2.5/16 NUT		01
07	0521046001	50,80 X 101,60 X 410 X 107 HYDRAULIC CILINDER	12	01
08	0521812538	COUPLING SHAFT		01
09	0511064433	REGULATOR SPINDLE 1-3/4		01
10	0501010333	1.3/4" NUT		02
11	0521066580	CYLINDER FIXER		01
12	0501010276	BOLT		04
13	0503010012	1" SPRING WASHER		04
14	0501010059	1.5/8 NUT		04

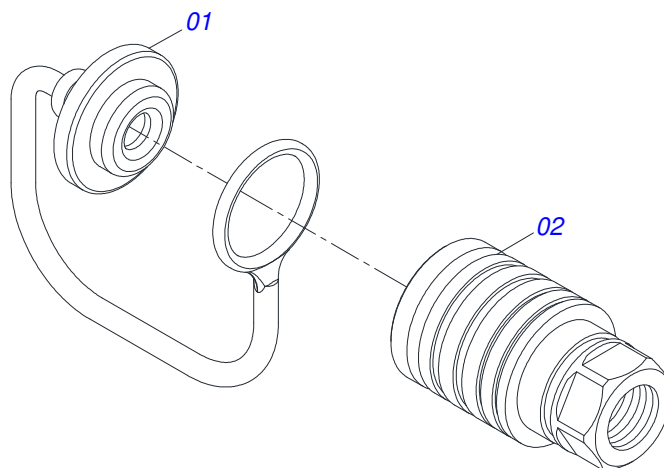


Item	Code	Description	See page	QT
01	0521066575	101,60 X 298 CYLINDER CASE		01
02	0503010817	1.1/4" SELF LOCKING NUT		01
03	0503018029	2-217 O'RING		01
04	0502040747	32.54 CLEVIS CLAMP		01
05	0503011094	3/8" X 2" BOLT		01
06	0503011443	3/8" SPRING WASHER		01
07	0581010749	50,80 X 294 TURNBUCKLE		01
08	0503030384	CON PLUG N-001		02
09	0503010026	3/8" NUT		01
10	0502012820	50.80 X 101.60 PISTON		01
11	0502012821	50.80 X 101.60 RING SUPPORT		01
12	0503018025	RING GUIDE		01
13	0503010039	D-2000 SCRAPER RING		01
14	0503018026	1870-2000-375 B GASKET		01
15	0503018024	RING BS		01
16	0503015633	SELEMASTER SEALING		01
17	0503010338	2-342 N 3006-9B O'RING		02
18	0503011061	8-342 BACK-UP RING		02
19	0502012822	101.60 END CAP		01



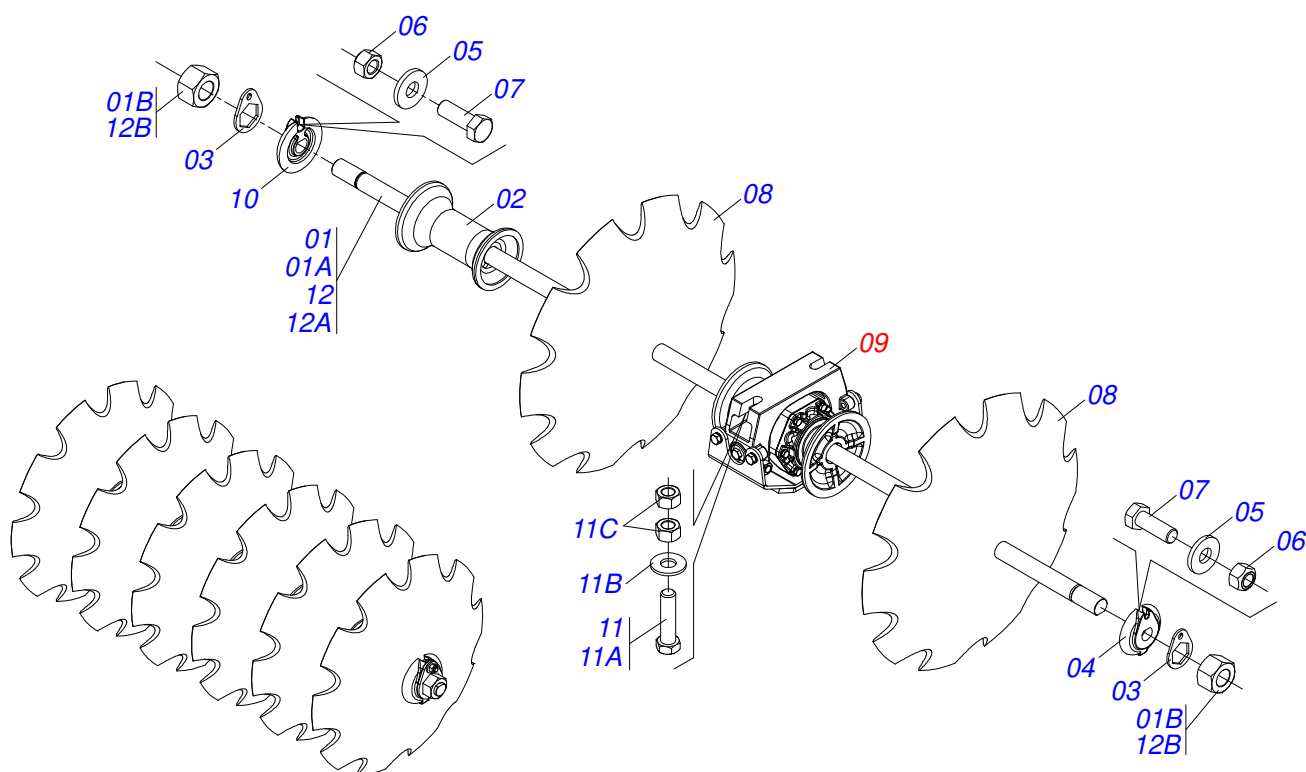


Item	Code	Description	See page	QT
01	0521065966	REAR HITCH		01
02	0521065965	FIXER CLAW		02
03	0501010064	1" X 9" BOLT		08
04	0503010012	1" SPRING WASHER		08
05	0501010059	1.5/8 NUT		08
06	0503010217	501040 CLAMPING RING (FOR AXLE)		04
07	0501053835	FEMALE QUICK COUPLER	14	02



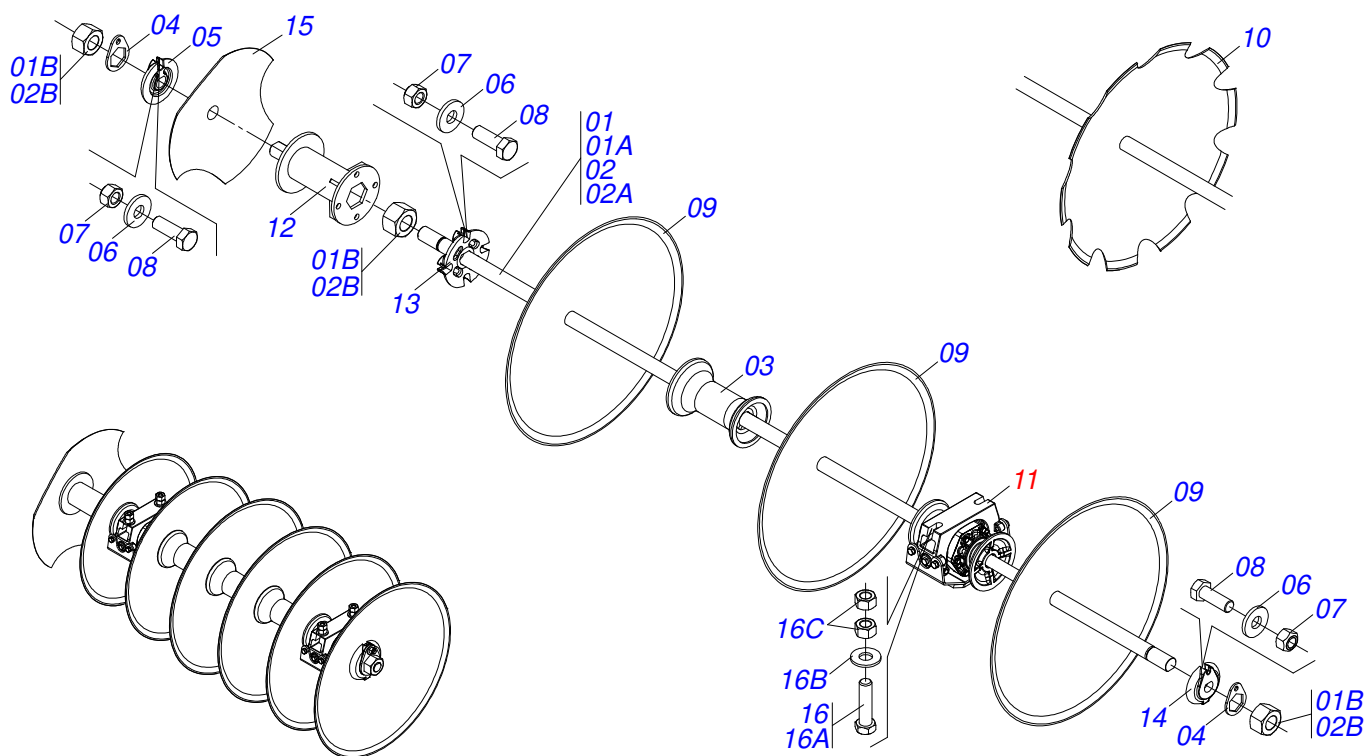
Item	Code	Description	See page	QT
01	0503011883	QUICK CONNECTION COVER		01
02	0503011628	FEMALE QUICK COUPLER		01

FRONT DISC SECTION

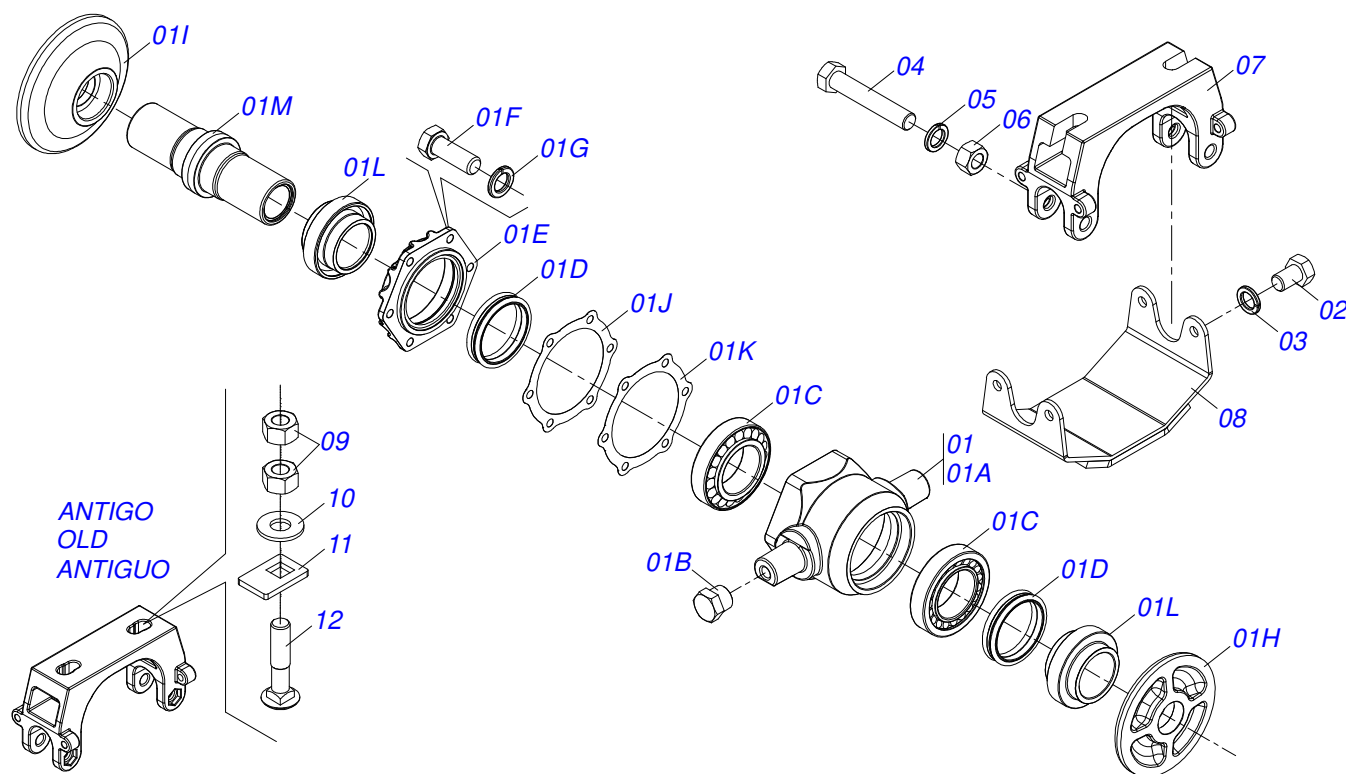


Item	Code	Description	See page	036	040
01	0501046859	1-5/8" X 70" AXLE WITH NUTS 2-3/4"		000	002
01A	0501015631	1-5/8" X 70" AXLE		000	002
01B	0502840640	1.5/8" 2.3/4" NUT		000	004
02	0502010703	10.35" 1-5/8" SPACER		009	011
03	0511014339	1-5/8" 2.8" NUT LOCK		006	006
04	0502011048	1-5/8" EXTERNAL AXLE WASHER		003	003
05	0501012140	FLAT WASHER		006	006
06	0503012412	5/8 UNC SELF LOCKING NUT		006	006
07	0503010232	5/8" X 1.3/4" BOLT		006	006
08	0602037006	DR28X7,5 C102AF04FR1.11/16 10R TATU		018	020
08.	0602037829	DR28X7,5 C102AF02FR1.11/16 10R TATU		018	020
08..	0602040155	30 X 7,5 NOTCHED DISC BLADE		018	020
08...	0602040074	30 X 7,5 NOTCHED DISC BLADE		018	000
09	0511048366	OSCILLATING BEARING ASSY	17	006	006
10	0502011047	1-5/8" INNER AXLE WASHER		003	003
11	0521047424	SCREW ASSY		012	012
11A	0501010500	3/4"X3"BOLT		012	012
11B	0501010322	FLAT WASHER		012	012
11C	0503012183	SNC 3/4" ZIN 1K03097 NUT		024	024
12	0501046856	1-5/8" X 59" AXLE WITH NUTS 2-3/4"		003	001
12A	0501019012	1-5/8" X 59" AXLE		003	001
12B	0502040640	1.5/8" 2.3/4" NUT		006	002

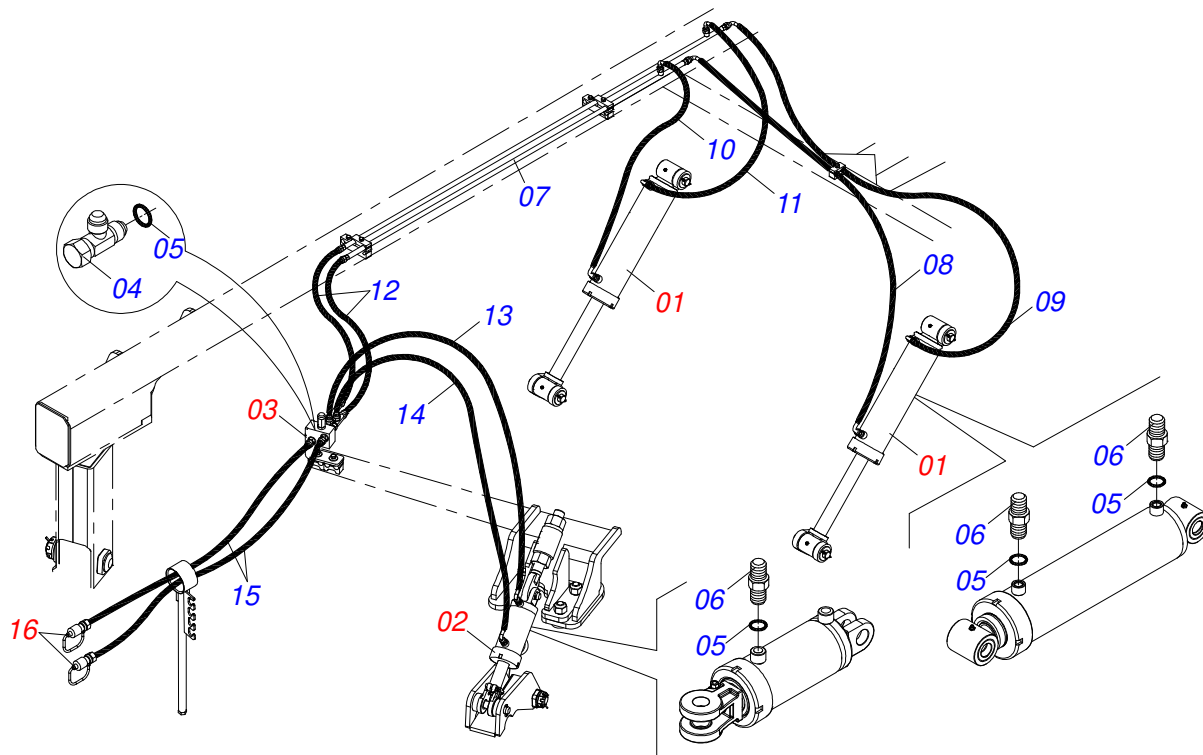
REAR DISC SECTION



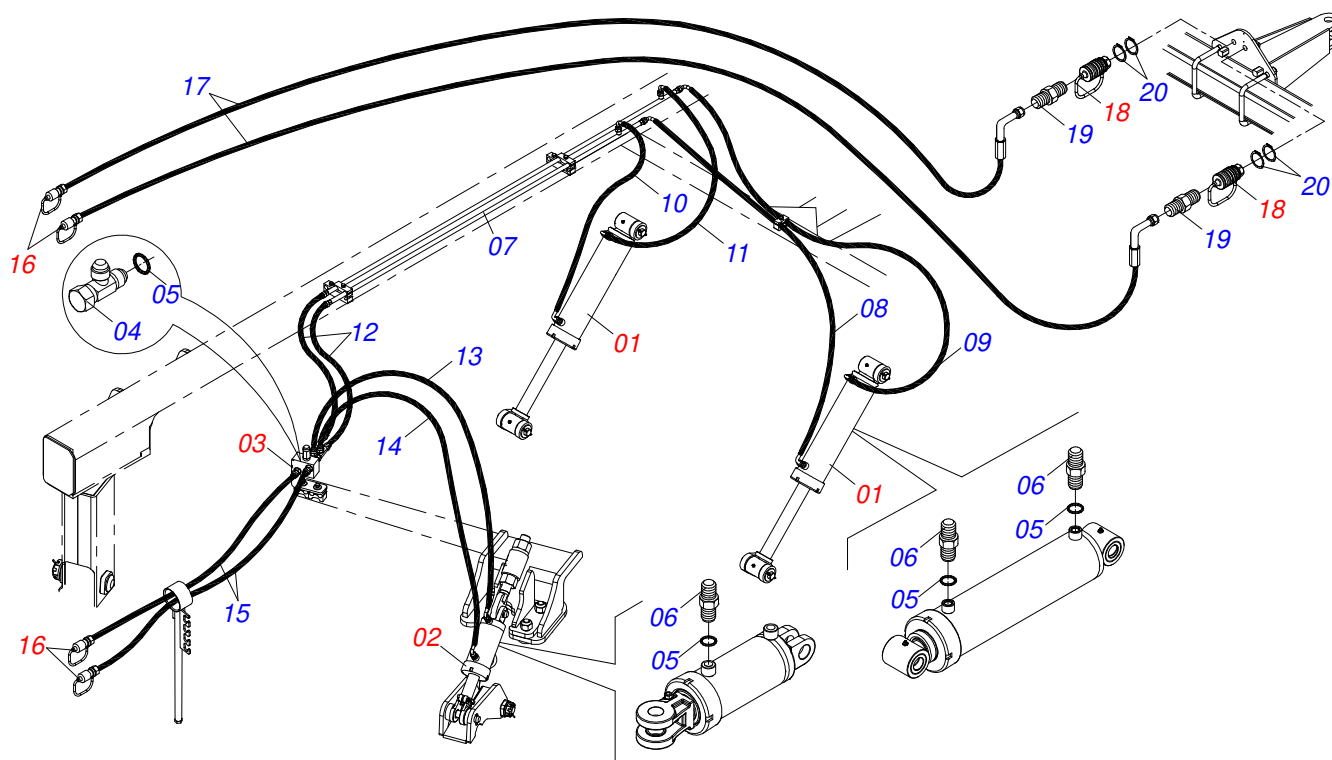
Item	Code	Description	See page	036	040
01	0501046856	1-5/8" X 59" AXLE WITH NUTS 2-3/4"		003	001
01A	0501019012	1-5/8" X 59" AXLE		003	001
01B	0502840640	1.5/8" 2.3/4" NUT		006	002
02	0501046859	1-5/8" X 70" AXLE WITH NUTS 2-3/4"		000	002
02A	0501015631	1-5/8" X 70" AXLE		000	002
02B	0502040640	1.5/8" 2.3/4" NUT		000	004
03	0502010703	10.35" 1-5/8" SPACER		009	011
04	0511014339	1-5/8" 2.8" NUT LOCK		006	006
05	0502011048	1-5/8" EXTERNAL AXLE WASHER		003	003
06	0501012140	FLAT WASHER		010	010
07	0503012412	5/8 UNC SELF LOCKING NUT		010	010
08	0503010232	5/8" X 1.3/4" BOLT		010	010
09	0601039053	28"X 0.3" PLAIN DISC BLADE		016	000
09.	0601033005	26" X 0.2" PLAIN DISC BLADE		001	001
09..	0601030005	24" X 0.2" PLAIN DISC BLADE		001	001
10	0602037006	DR28X7,5 C102AF04FR1.11/16 10R TATU		000	018
10.	0602040155	30 X 7,5 NOTCHED DISC BLADE		018	020
11	0511048366	OSCILLATING BEARING ASSY	17	006	006
12	0511067146	10.35" AXLE 1-5/8" SPACER		001	001
13	0502012377	1-5/8" EXTERNAL AXLE LOK		001	001
14	0502011047	1-5/8" INNER AXLE WASHER		003	003
15	0602029360	DR22X6 C69AF02FR1.11/16 03REC TATU		001	001
15.	0602030445	24 X 6 NOTCHED DISC BLADE		001	001
16	0521047424	SCREW ASSY		012	012
16A	0501010500	3/4"X3"BOLT		012	012
16B	0501010322	FLAT WASHER		012	012
16C	0503012183	SNC 3/4" ZIN 1K03097 NUT		024	024



Item	Code	Description	See page	QT
01	0501059723	OSCILLATING BEARING		01
01A	0502012343	AGRICULTURAL HOUSING BEARING		01
01B	0503010856	OIL PLUG		02
01C	0503013496	3982/3920 ROLLER BEARING		02
01D	0503030027	DUO-CONE SEAL		02
01E	0502020161	WEAR PLATE BEARING		01
01F	0503010237	3/8" X 1" BOLT		06
01G	0503011443	3/8" SPRING WASHER		06
01H	0502040240	INNER FLANGE		01
01I	0502040239	OUTER FLANGE		01
01J	0503030030	5.6" X 4.4" X 0.01" GASKET		01
01K	0503030685	5.5" X 4.4" X 0.003" GASKET		01
01L	0502010736	SEAL RETAINER		02
01M	0502010740	AXLE TK		01
02	0503011401	1/2" X 3/4" BOLT		04
03	0503010019	1/2" SPRING WASHER		04
04	0503010762	SCREW 5/8 UNC X 3.1/2 CS G.5 ZN		02
05	0503010027	5/8" SPRING WASHER		02
06	0503010013	5/8" NUT		02
07	0502012626	CENTER OSCILLATING BEARING SUPPORT		01
08	0521067341	BEARING SWING COVER WITH ENHANCED		01
09	0503010014	3/4" NUT		04
10	0501010322	FLAT WASHER		02
11	0541014269	3/4 SQUARE WASHER		02
12	0501010950	3/4" X 3-1/2" BOLT		02



Item	Code	Description	See page	QT
01	0521051832	HYDRAULIC CYLINDER 53,98 X 114,30 X 654 X 346	8	02
02	0521046001	50,80 X 101,60 X 410 X 107 HYDRAULIC CILINDER	12	01
03	0511059196	VALVE ASSY	6	01
04	0503011968	3/4" 8R6X-S T ADAPTER WITH SWIVEL NUT		02
05	0503010190	2-114 N 3006-9B O'RING		06
06	0501010617	3/4" NIPPLE		04
07	0521066937	DUCT DISTRIBUTOR OF OIL		02
08	0501080370	TC-TC HOSE ASSY		01
09	0501080644	3/8" X 78.7" TC-TC HOSE ASSY		01
10	0501080065	3/8 X 1200 TC-TC HOSE ASSY		01
11	0501082058	HOSE 3/8 X 800 TC-TC		01
12	0501080106	TR-TR HOSE ASSY		02
13	0501080302	TR-TC HOSE ASSY		01
14	0501080436	HOSE 3/8 X 1500 TR-TC		01
15	0501080205	HOSE 3/8 X 5500 TR-TM		02
16	0501053834	MALE QUICK COUPLER WITH CAP - 1/2 NPT		02



Item	Code	Description	See page	QT
01	0521051832	HYDRAULIC CYLINDER 53,98 X 114,30 X 654 X 346	8	02
02	0521046001	50,80 X 101,60 X 410 X 107 HYDRAULIC CILINDER	12	01
03	0511059196	VALVE ASSY	6	01
04	0503011968	3/4" 8R6X-S T ADAPTER WITH SWIVEL NUT		02
05	0503010190	2-114 N 3006-9B O'RING		06
06	0501010617	3/4" NIPPLE		04
07	0521066937	DUCT DISTRIBUTOR OF OIL		02
08	0501080370	TC-TC HOSE ASSY		01
09	0501080644	3/8" X 78.7" TC-TC HOSE ASSY		01
10	0501080065	3/8 X 1200 TC-TC HOSE ASSY		01
11	0501082058	HOSE 3/8 X 800 TC-TC		01
12	0501080106	TR-TR HOSE ASSY		02
13	0501080302	TR-TC HOSE ASSY		01
14	0501080436	HOSE 3/8 X 1500 TR-TC		01
15	0501080205	HOSE 3/8 X 5500 TR-TM		02
16	0501053834	MALE QUICK COUPLER WITH CAP - 1/2 NPT		04
17	0501081322	3/8" X 11500 TC-TM HOSE		02
18	0501053835	FEMALE QUICK COUPLER	14	02
19	0561014252	3/4 UNF X 44 NIPPLE WITH REDUCTION		02
20	0503010217	501040 CLAMPING RING (FOR AXLE)		04







**MARCHESAN**

**Technical Publications | Elaboration and Revision**

ALESSANDRA PATRICIA KAWAHARA CARRILI

[www.marchesan.com.br](http://www.marchesan.com.br)

