

OFFSET DISK HARROW

GCRO 7010 (AXLE 1.5/8") ARTICULATED MECHANICAL 52-56-60 DISCS

Code: 0501091970
Series: S-0915
Revision: 00
Date Revision: JUNHO/2022

PARTS CATALOGUE



MARCHESAN



PRODUCTS

Code	Description
0102560217	GCRO 7010 52X28X7,5 DMO ESPECIAL S-0915
0102560215	GCRO 7010 52X30X7,5 DMO ESPECIAL S-0915
0102560216	GCRO 7010 52X30X7,5 DMO ESPECIAL S-0915
0102560179	GCRO 7010 52X30X7,5 DMO MT MEC ESPECIAL S-0915
0102560214	GCRO 7010 56X28X7,5 DMO ESPECIAL S-0915
0102560211	GCRO 7010 56X30X7,5 DMO ESPECIAL S-0915
0102560212	GCRO 7010 56X30X7,5 DMO ESPECIAL S-0915
0102560213	GCRO 7010 56X30X7,5 DMO ESPECIAL S-0915
0102560181	GCRO 7010 60X28X7,5 DMO ESPECIAL S-0915
0102560210	GCRO 7010 60X28X7,5 DMO ESPECIAL S-0915
0102560207	GCRO 7010 60X30X7,5 DMO ESPECIAL S-0915
0102560208	GCRO 7010 60X30X7,5 DMO ESPECIAL S-0915
0102560209	GCRO 7010 60X30X7,5 DMO ESPECIAL S-0915

ATTENTION: IMPORTANT

Marchesan S.A. reserves the right to improve and/or modify the technical features of its products, without obligation to do the same with those products already sold and without prior knowledge of the dealer or the customer. The photos are only illustrative.



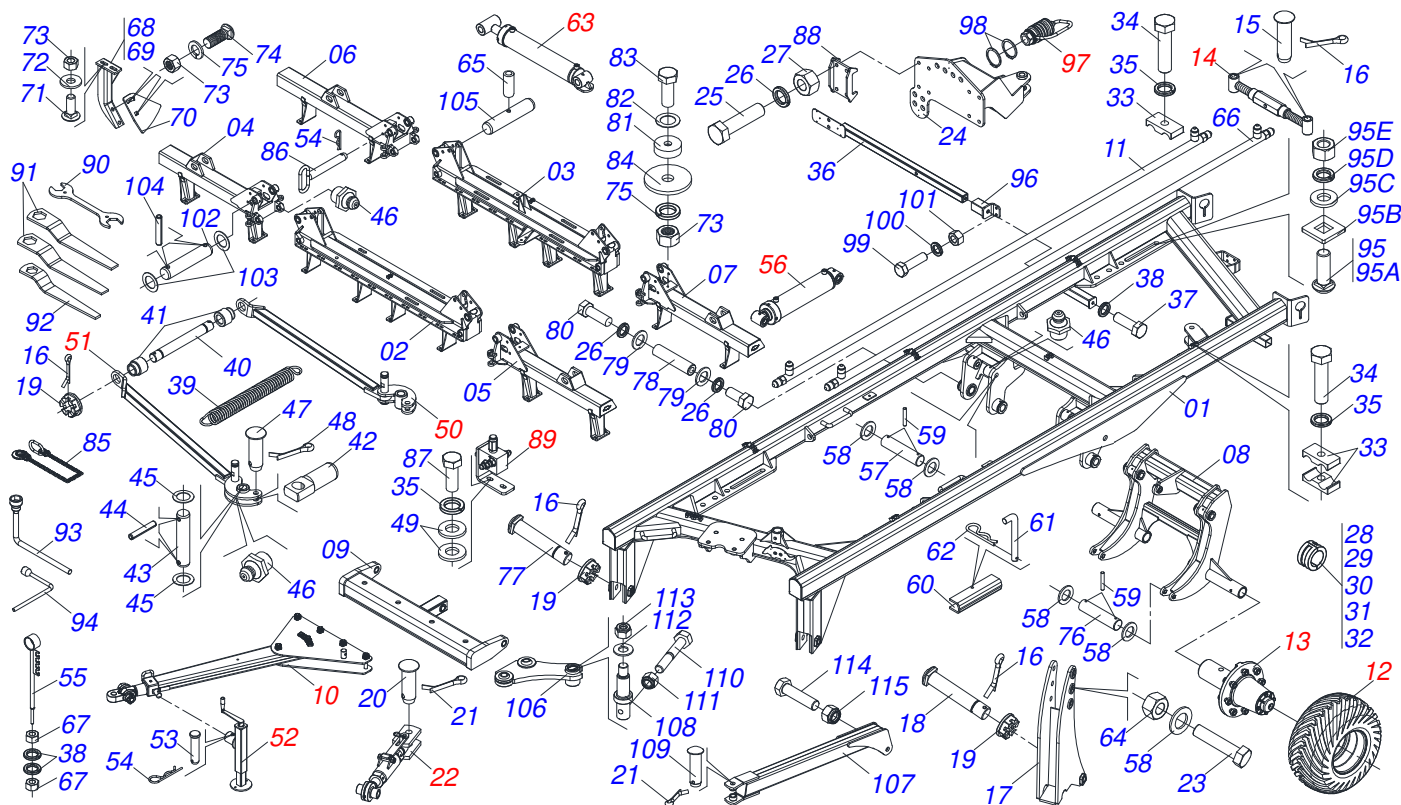
MARCHESAN

INDEX

0909092723	ASSY FRAME	1
0521041823	ASSY TRACTION BAR (PIN 3)	2
0531040171	ASSY HITCH	3
0503060102	WHEEL AND TIRE	4
0501056467	STUB SHAFT & HUB ASSY	5
0501052005	STABILIZER FOR GANG	6
0511059199	STABILIZER BAR REGULATOR EXTENSOR	7
0501057273	PIVOT ARM ASSY	8
0501057274	LH REAR DRIVER ARM	9
0511048088	DRAWBAR JACK	10
0511057940	HYDRAULIC CILINDER	11
0511059196	VALVE ASSY	12
0501053835	FEMALE QUICK COUPLER	13
0501053834	MALE QUICK COUPLER	14
0909092717	SECTION BLADES FRONT RIGHT / LEFT SIDE	15
0909092718	FRONT / REAR CENTER DISC SECTION	16
0909092719	RIGHT SIDE REAR DISC SECTION	17
0909092720	LEFT SIDE REAR DISC SECTION	18
0511048366	OSCILLATING BEARING ASSY	19
0909092721	HYDRAULIC CIRCUIT FRAME ARTICULATE	20
0909092724	HYDRAULIC CIRCUIT OF THE WHEELS	21

ASSY FRAME

0909092723



Item	Code	Description	See page	052	056	060
001	0521066477	FRAME		001	001	001
002	0521066488	FRONT CENTRAL FRAME		001	001	001
003	0521066489	REAR CENTER FRAME		001	001	001
004	0521066573	RIGHT SIDE REAR FRAME 48D (4400)		001	000	000
004.	0521066576	RIGTH SIDE REAR FRAME 52D (4400)		000	001	000
004..	0521066490	RIGTH SIDE REAR FRAME		000	000	001
005	0521066572	LEFT SIDE FRONT FRAME 48D (4400)		001	000	000
005.	0521066578	LEFT SIDE REAR FRAME 52D (4400)		000	001	000
005..	0521066491	LEFT SIDE REAR FRAME		000	000	001
006	0521066571	RIGHT SIDE REAR FRAME 48D (4400)		001	000	000
006.	0521066579	RIGHT SIDE REAR FRAME 52D (4400)		000	001	000
006..	0521066493	RIGHT SIDE REAR FRAME		000	000	001
007	0521066574	LEFT SIDE REAR FRAME 48D (4400)		001	000	000
007.	0521066577	LEFT SIDE REAR FRAME 52D (4400)		000	001	000
007..	0521066492	LEFT SIDE REAR FRAME		000	000	001
008	0521066478	CARRYNG-WHEELS		001	001	001
009	0521066494	HITCH BAR		001	001	001
010	0521041823	ASSY TRACTION BAR (PIN 3)	2	001	001	001
011	0521066126	DISTRIBUTOR OIL TUBE		002	002	002
012	0503060102	WHEEL AND TIRE	4	004	004	004
013	0501056467	STUB SHAFT & HUB ASSY	5	004	004	004
014	0501052005	STABILIZER FOR GANG	6	001	001	001
015	0521010546	1.2" X 5.7" COUPLING SHAFT		002	002	002
016	0503010010	1/4" X 2.1/2" COTTERPIN		011	011	011
017	0521066758	HEADER ARTICULATOR		001	001	001
018	0521012053	1.5" X 8.6" AXLE		001	001	001
019	0501011301	1.1/2 UNC 6FPP 2.5/16 NUT		011	011	011
020	0521010780	1.2" X 4.5" COUPLING SHAFT		001	001	001
021	0503010523	1/4" X 2" COTTERPIN		004	004	004
022	0511059199	STABILIZER BAR REGULATOR EXTENSOR	7	001	001	001
023	0521017351	1-1/4" X 8" BOLT		001	001	001



ASSY FRAME

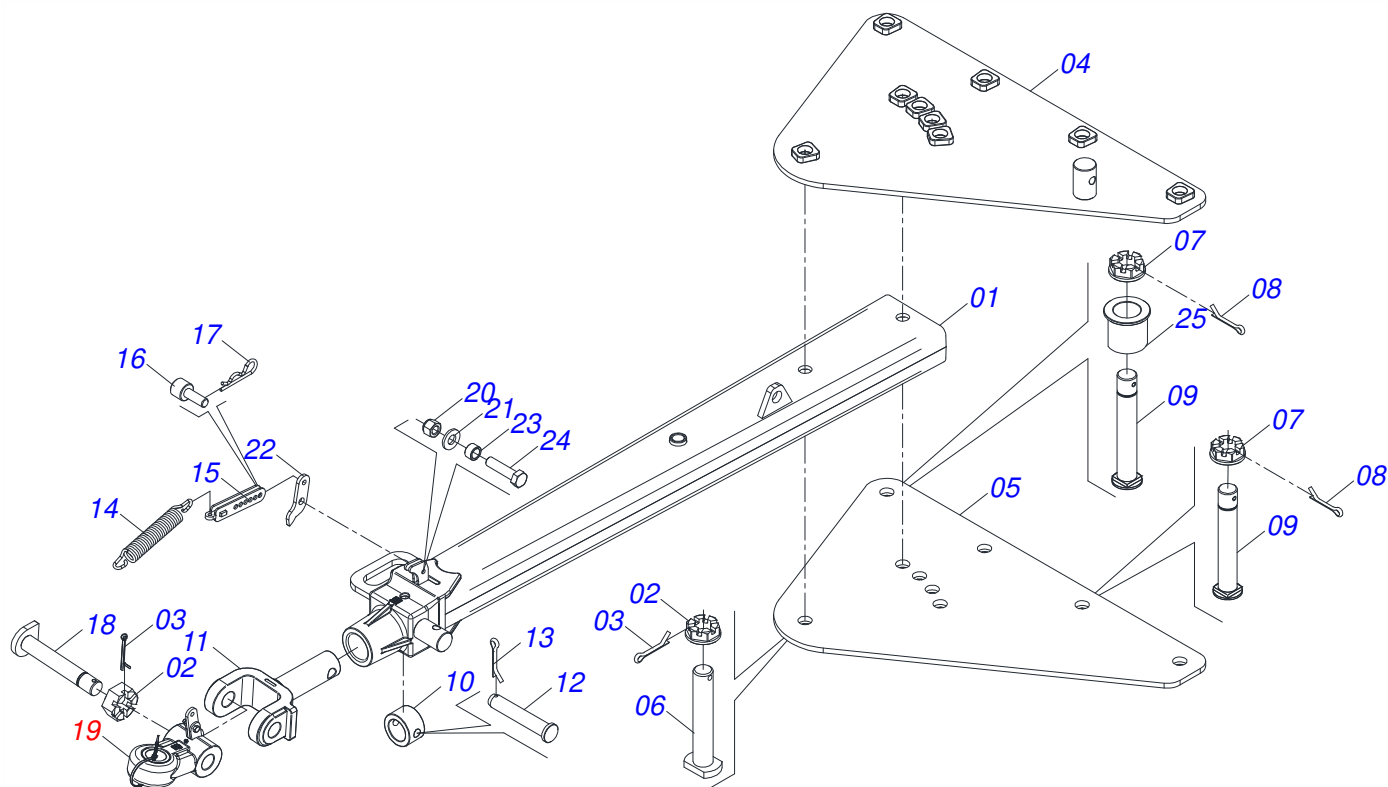
0909092723

Item	Code	Description	See page	052	056	060
024	0521065966	REAR HITCH		001	001	001
025	0501010064	1" X 9" BOLT		008	008	008
026	0503010012	1" SPRING WASHER		008	008	008
027	0501010059	1.5/8 NUT		008	008	008
028	0501047895	25 ROD STOP		004	004	004
029	0501047885	30 ROD STOP		002	002	002
030	0501047886	35 ROD STOP		002	002	002
031	0501047887	40 ROD STOP		002	002	002
032	0501047888	45 ROD STOP		002	002	002
033	0502010477	HOSE CLAMP		018	018	018
034	0503011135	BOLT		014	014	014
035	0503010180	7/16" SPRING WASHER		018	018	018
036	0521066443	SUPPORT FIXER LANTERN		002	002	002
037	0501010098	3/4" UNC BOLT		002	002	002
038	0503010023	3/4" SPRING WASHER		009	009	009
039	0503032537	50,7 X 325 X 6,35 TRACTION SPRING		004	004	004
040	0501210091	ARTICULATOR PIVOT AXIS		004	004	004
041	0541016614	38,20 X 62 X 61 SLEEVE		008	008	008
042	0541019253	FRAME LOCK AXLE		008	008	008
043	0541016677	37,20 X 177 COUPLING SHAFT		008	008	008
044	0503010361	SPRING PIN		016	016	016
045	0511019685	FLAT WASHER		016	016	016
046	0503010002	1800 GREASE FITTING		047	047	047
047	0521010572	0.9" X 2.9" COUPLING SHAFT		008	008	008
048	0503010571	1/4" X 1.1/2 COTTERPIN		008	008	008
049	0501012803	FLAT WASHER		002	002	002
050	0501057273	PIVOT ARM ASSY	8	004	004	004
051	0501057274	LH REAR DRIVER ARM	9	004	004	004
052	0511048088	DRAWBAR JACK	10	001	001	001
053	0561014251	COUPLING SHAFT		001	001	001
054	0503030012	HITCH PIN CLIP		001	001	001
055	0521062849	HOSE HOLDER ASSY		001	001	001
056	0521051832	HYDRAULIC CYLINDER 53,98 X 114,30 X 654 X 346		002	002	002
057	0531018105	1.2" X 11.8" PIVOT SHAFT		002	002	002
058	0501017779	32 X 60 X 4.75 FLAT WASHER		008	008	008
059	0503011877	0.3" X 2.4" SPRING PIN		008	008	008
060	0561016693	TRANSPORT LOCK		002	002	002
061	0541016844	FIXER LOCK		003	003	003
062	0503030168	HITCH PIN CLIP		002	002	002
063	0511057940	HYDRAULIC CILINDER	11	004	004	004
064	0503010817	1.1/4" SELF LOCKING NUT		002	002	002
065	0503013662	1/2" X 1" BOLT		004	004	004
066	0521066937	DUCT DISTRIBUTOR OF OIL		002	002	002
067	0503010014	3/4" HEX NUT		002	002	002
068	0511065926	FRONT SCRAPER SUPPORT		026	028	030
069	0511065925	REAR SCRAPER SUPPORT		027	029	031
070	0561014263	CLEANER SHOVEL		053	057	061
071	0503013842	5/8" UNC X 1-3/4" BOLT		106	114	122
072	0501012140	FLAT WASHER		130	134	142
073	0503010013	5/8 NUT		216	232	248
074	0503012195	5/8" NUT		106	114	122
075	0503010027	5/8 SPRING WASHER		110	118	126
076	0531018101	1.2" X 6.3" PIVOT SHAFT		002	002	002
077	0531018100	37,50 X 200 COUPLING SHAFT		002	002	002
078	0531018062	COUPLING SHAFT		002	002	002
079	0521011565	FLAT WASHER		004	004	004
080	0503011250	1" X 2" BOLT		004	004	004
081	0581011153	FRAME BEAT		004	004	004
082	0571010265	16.5 X 40 X 3 FLAT WASHER		004	004	004

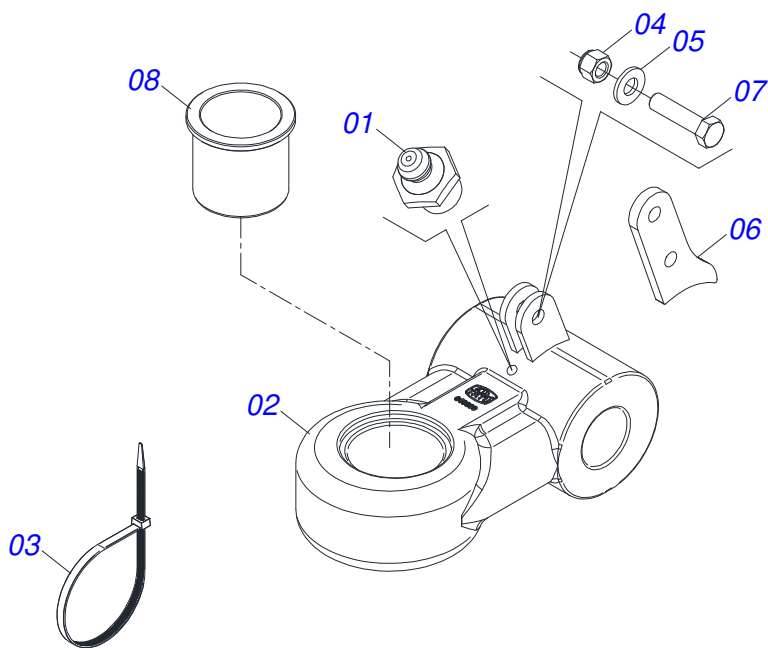
**ASSY FRAME**

0909092723

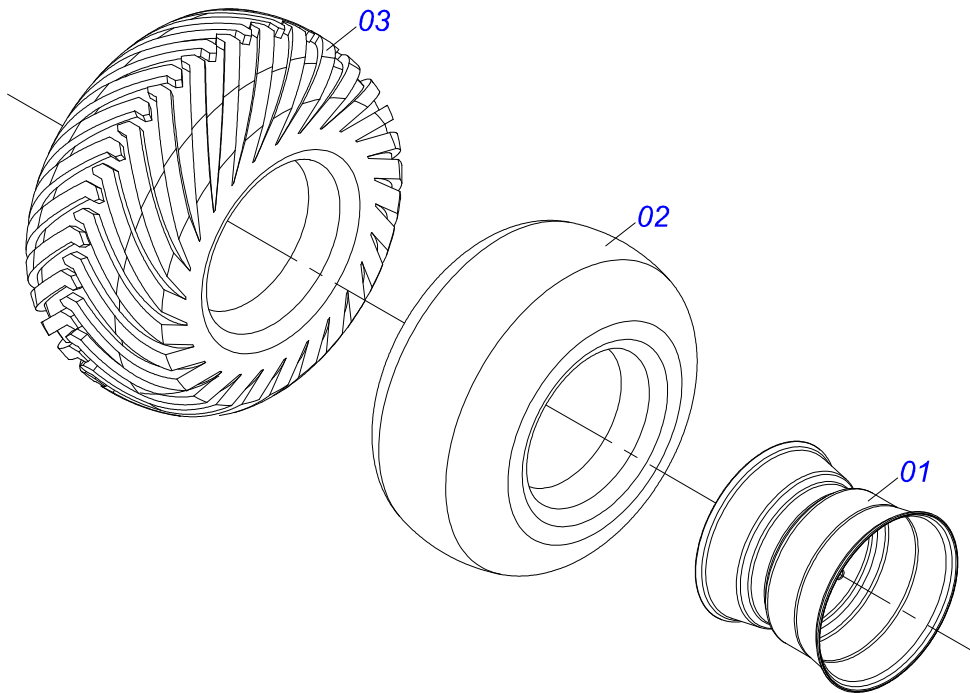
Item	Code	Description	See page	052	056	060
083	0503010233	5/8" X 2-1/2" BOLT		004	004	004
084	0571013284	17.5 X 90 X 4.75 FLAT WASHER		004	004	004
085	0503013150	1300 X 3/8 CHAIN		001	001	001
086	0501069463	1" X 8" LOCK PIN		004	004	004
087	0503011173	7/16" X 2" BOLT		002	002	002
088	0521065965	FIXER CLAW		002	002	002
089	0511059196	VALVE ASSY	12	001	001	001
090	0541015451	FIXED KEY 2.3/8 X 2.3/4		001	001	001
091	0501011431	1-3/4" GANG BOLT WRENCH		002	002	002
092	0501011432	1-1/2" AND 1-5/8 GANG BOLT WRENCH		002	002	002
093	0503016137	1-1/4" WRENCH CABLE CYLINDER		001	001	001
094	0503018438	1" WRENCH CYLINDRICAL HEX		001	001	001
095	0501041102	1-1/4" X 3-3/4" ASSY BOLT		008	008	008
095A	0501015348	1-1/4" X 3-3/4" BOLT		008	008	008
095B	0501010953	1-1/4" SQUARE WASHER		008	008	008
095C	0531010713	FLAT WASHER		008	008	008
095D	0503010070	SPRING WASHER		008	008	008
095E	0501010087	1.1/4" NUT		008	008	008
096	0521066624	FIXER SUPPORT LANTERN		002	002	002
097	0501053835	FEMALE QUICK COUPLER	13	002	002	002
098	0503010217	501040 CLAMPING RING (FOR AXLE)		004	004	004
099	0503011082	C1/2" X 1.3/4" SCREW		004	004	004
100	0503010019	1/2" SPRING WASHER		004	004	004
101	0503010060	1/2 UNC G.5 ZN HEX NUT		004	004	004
102	0521011720	2.0" X 15.7" COUPLING SHAFT		004	004	004
103	0511019776	FLAT WASHER		008	008	008
104	0503011069	0.4" X 2.8" SPRING PIN		008	008	008
105	0541016676	1.1/2 X 175 AXLE		004	004	004
106	0521066960	STABILIZER BAR ARTICULATOR		001	001	001
107	0521066959	STABILIZER BAR		001	001	001
108	0581011775	STABILIZER BAR ARTICULATING PIVOT AXLE		001	001	001
109	0581811919	AXIS JUNCTION		001	001	001
110	0501010216	3/4 UNC X 4.1/2 C S G.5 ZN BOLT		001	001	001
111	0503011075	3/4" UNC NUT		001	001	001
112	0501010287	FLAT WASHER		001	001	001
113	0503010290	SELF ADJUSTING 1.1/2" UNF NUT		001	001	001
114	0503013321	SCREW 1.1/4 UNF X 7 C S G.8 ZN		001	001	001
115	0503010817	1.1/4" SELF LOCKING NUT		001	001	001



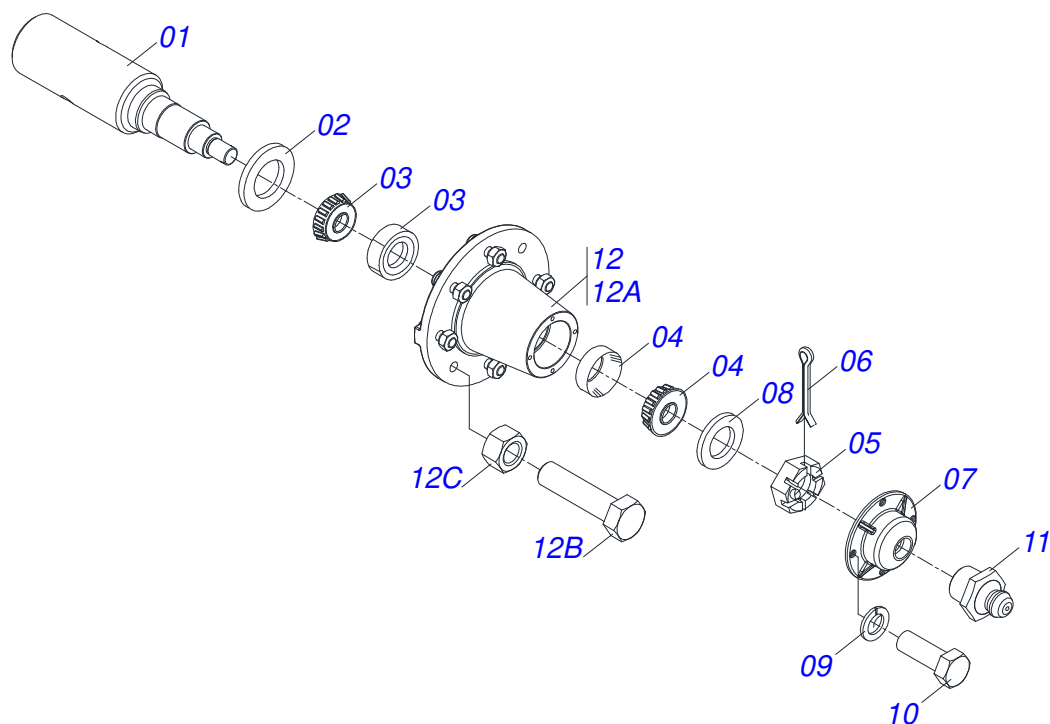
Item	Code	Description	See page	QT
01	0521068249	BAR TRACTION (AXLE 2)		01
02	0502040558	2" CASTLE NUT		02
03	0503010074	3/8 X 0,15" COTTERPIN		02
04	0521068246	UPPER PLATE (AXLE 2)		01
05	0521068247	LOWER PLATE (AXLE 2)		01
06	0521068248	SHAFT JUNCTION WITH LOCK (50,80 X 273)		01
07	0501811301	CASTLE NUT		05
08	0503010010	1/4" X 2.1/2" COTTERPIN		05
09	0521811880	37,50 X 230 X PQ R.1/2 JUNCTION AXLE		05
10	0502040263	ANEL TRAVA ENGATE		01
11	1902040897	TRACTOR HITCH		01
12	0561017306	COUPLING SHAFT		01
13	0503010523	1/4" X 2" COTTERPIN		01
14	0503031741	1.8" X 11.4" 0.3" TRACTION SPRING		01
15	0531061607	SPRING REGULATOR		01
16	0591014558	SPRING REGULATOR FIXER AXLE		01
17	0503030285	HITCH PIN CLIP		01
18	0531061122	AXIS ARTICULATOR		01
19	0531040171	ASSY HITCH	3	01
20	0503010589	1/2" UNC SELF ADJUSTING NUT		01
21	0501010937	13,50 X 28 X 3,00 FLAT WASHER		01
22	0591014554	REAR EAR FIXING SPRING		01
23	0591014552	SLEEVE		01
24	0503010740	BOLT 1/2 UNC X 2 CS G.5 ZN		01
25	0591013086	SLEEVE		01



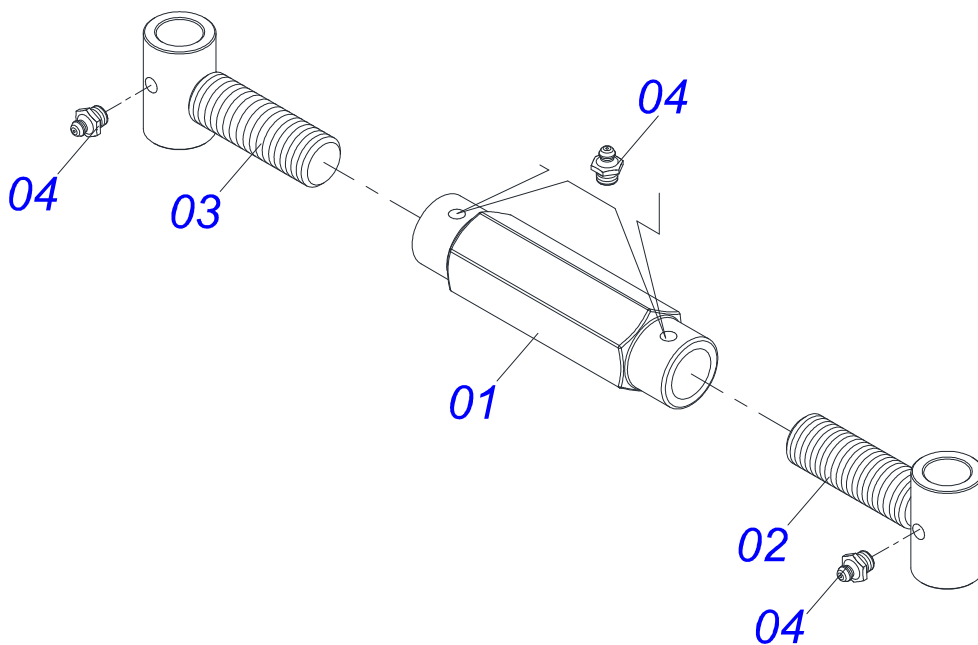
Item	Code	Description	See page	QT
01	0503010002	1800 GREASE FITTING		01
02	0531061121	HITCH		01
03	0503018829	NYLON CLAMP		01
04	0503010589	1/2" UNC SELF ADJUSTING NUT		01
05	0501010937	13,50 X 28 X 3,00 FLAT WASHER		01
06	0591014555	FRONT EAR FIXING SPRING		01
07	0503010740	BOLT 1/2 UNC X 2 CS G.5 ZN		01
08	0591013448	SLEEVE		01



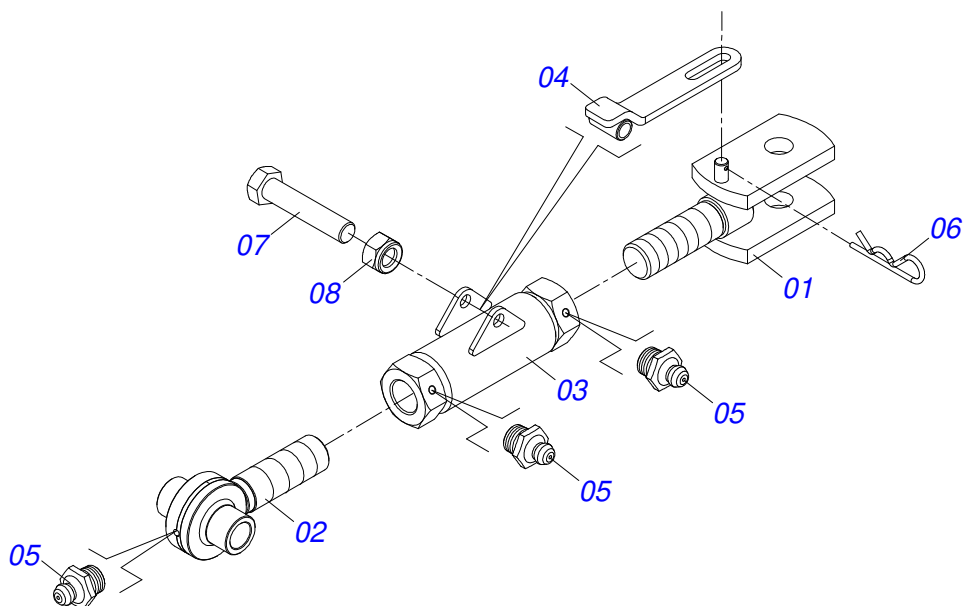
Item	Code	Description	See page	QT
01	0501069483	WHEEL		01
02	0503012112	400/60 - 15.5 TR 15 INNER TIRE		01
03	0503013119	CANVAS TIRE		01



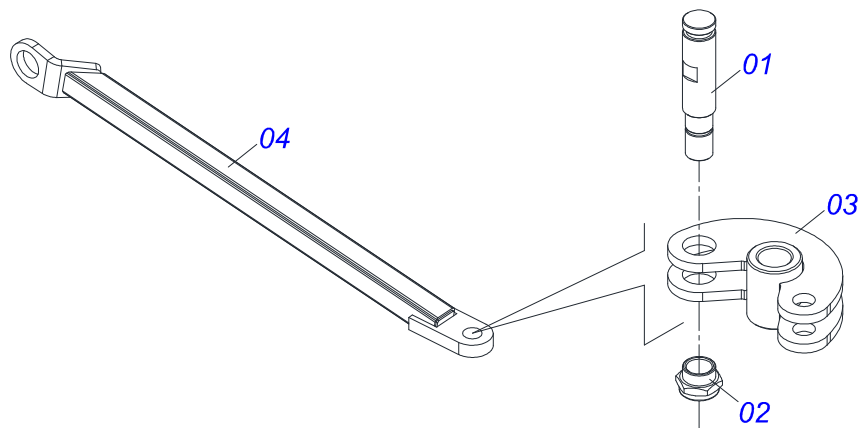
Item	Code	Description	See page	QT
01	0541016566	POINT AXIS 3.1/2 X 375		01
02	0503013314	RETAINER 5166-GB 63,5 X 110 X 13 ARCA		01
03	0503015290	3780/3720 ROLLER BEARING		01
04	0503014821	ROLLER BEARING		01
05	0503830009	1" X 0.9" CASTLE NUT		01
06	0503010018	5/32 X 1-1/2 COTTERPIN		01
07	0502020591	PROTECCION COVER		01
08	0511812492	FLAT WASHER		01
09	0503011444	SPRING WASHER		04
10	0503810358	5/16" X 7/8" UNC BOLT		04
11	0503010002	1800 GREASE FITTING		01
12	0501110738	CARRYING WHEEL HUB		01
12A	0502012260	TRANSPORT WHEEL BOX		01
12B	0501010186	WHEEL SCREW 5/8UNF X 2.1/8CR		08
12C	0503010064	5/8 UNF CONIC NUT		08



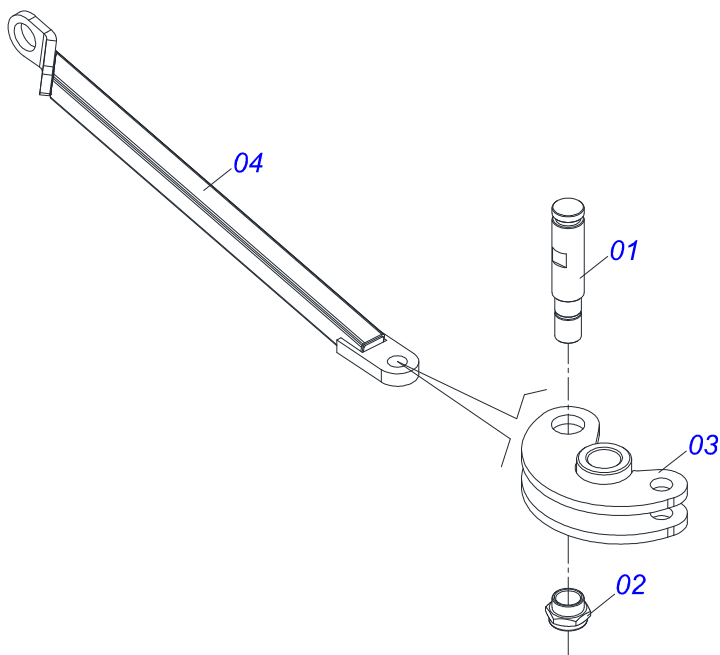
Item	Code	Description	See page	QT
01	0502011469	245 ADJUSTMENT NUT		01
02	0501069416	JACKET		01
03	0501069417	JACK CRANK		01
04	0503010002	1800 GREASE FITTING		04



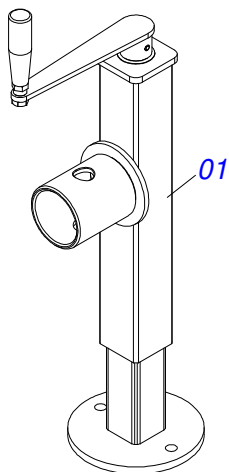
Item	Code	Description	See page	QT
01	0521066962	JACK CRANK C/O. R.1.3/4 ESQUERDO		01
02	0521066965	JACK CRANK NUT FIXER R.1.3/4 UNC DIREITO		01
03	0521066963	ADJUSTMENT NUT R.1.3/4 UNC (245)		01
04	0521066964	LEVER STABILIZER OF TENSOR REGULATOR		01
05	0503010002	1800 GREASE FITTING		03
06	0503030285	HITCH PIN CLIP		01
07	0503010806	5/8" X 3" BOLT		01
08	0503010878	5/8" SELF ALIGNING NUT		01



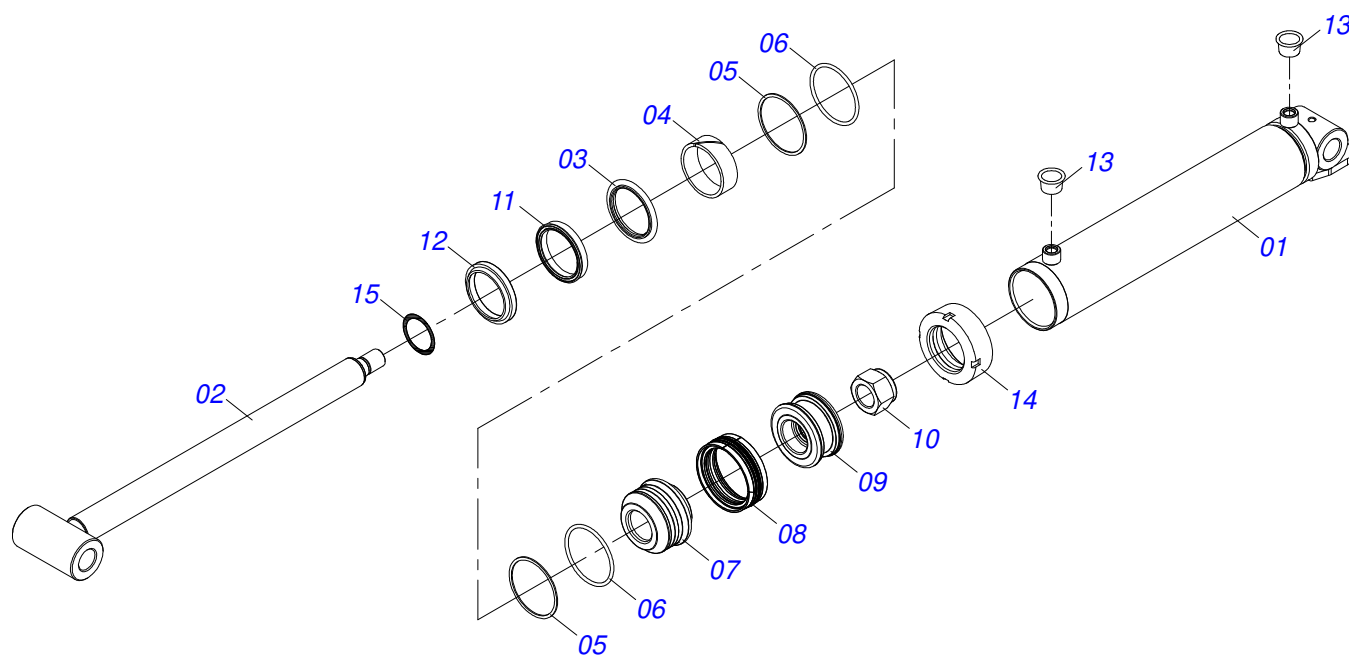
Item	Code	Description	See page	QT
001	0541016749	LOCK AXLE PIVOT		01
002	0541019258	1.1/4 ADJUSTING NUT		01
003	0511066497	LOCK PIVOT		01
004	0511067209	FRONT DRIVER ARM		01



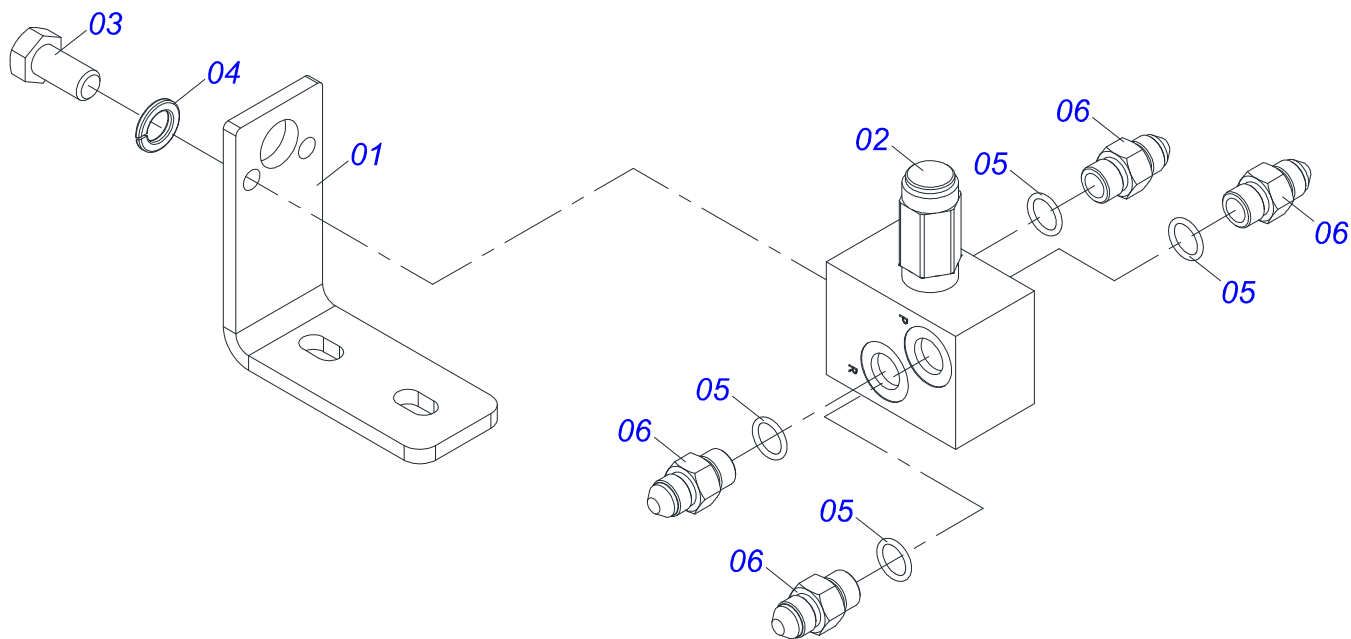
Item	Code	Description	See page	QT
001	0541016749	LOCK AXLE PIVOT		01
002	0541019258	1.1/4 ADJUSTING NUT		01
003	0511066497	LOCK PIVOT		01
004	0511067210	DRIVER ARM		01



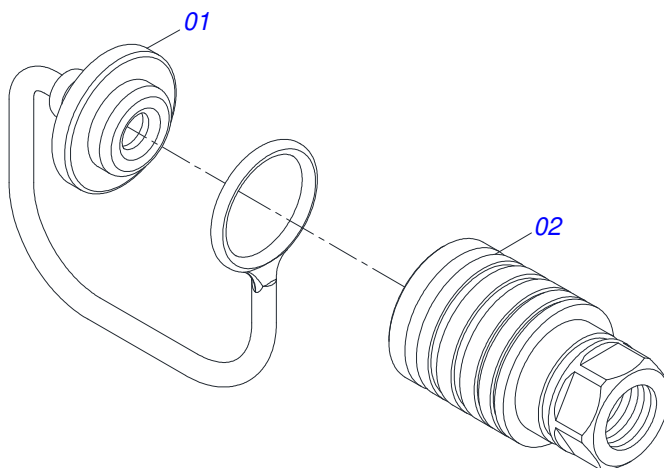
Item	Code	Description	See page	QT
01	0503062227	DRAWBAR JACK		01



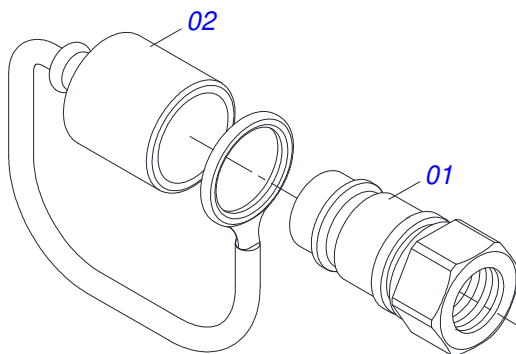
Item	Code	Description	See page	QT
01	0521066447	101,60 X 654,50 X 38,40 CYLINDER CASE		01
02	0521061439	50,80 X 751,50 X 38,40 TURNBUCKLE		01
03	0503018024	RING BS		01
04	0503018025	RING GUIDE		01
05	0503011061	8-342 BACK-UP RING		02
06	0503010338	2-342 N 3006-9B O'RING		02
07	0502012821	50.80 X 101.60 RING SUPPORT		01
08	0503015633	SELEMASTER SEALING		01
09	0502012820	50,80 X 101,60 PISTON		01
10	0503010817	1.1/4" SELF LOCKING NUT		01
11	0503018026	1870-2000-375 B GASKET		01
12	0503010039	D-2000 SCRAPER RING		01
13	0503030384	CON PLUG N-001		02
14	0502010017	4" HEAD		01
15	0503018029	2-217 O'RING		01
16	0511034303	HYDRAULIC CYLINDER REPAIR KIT (0511057940)		01



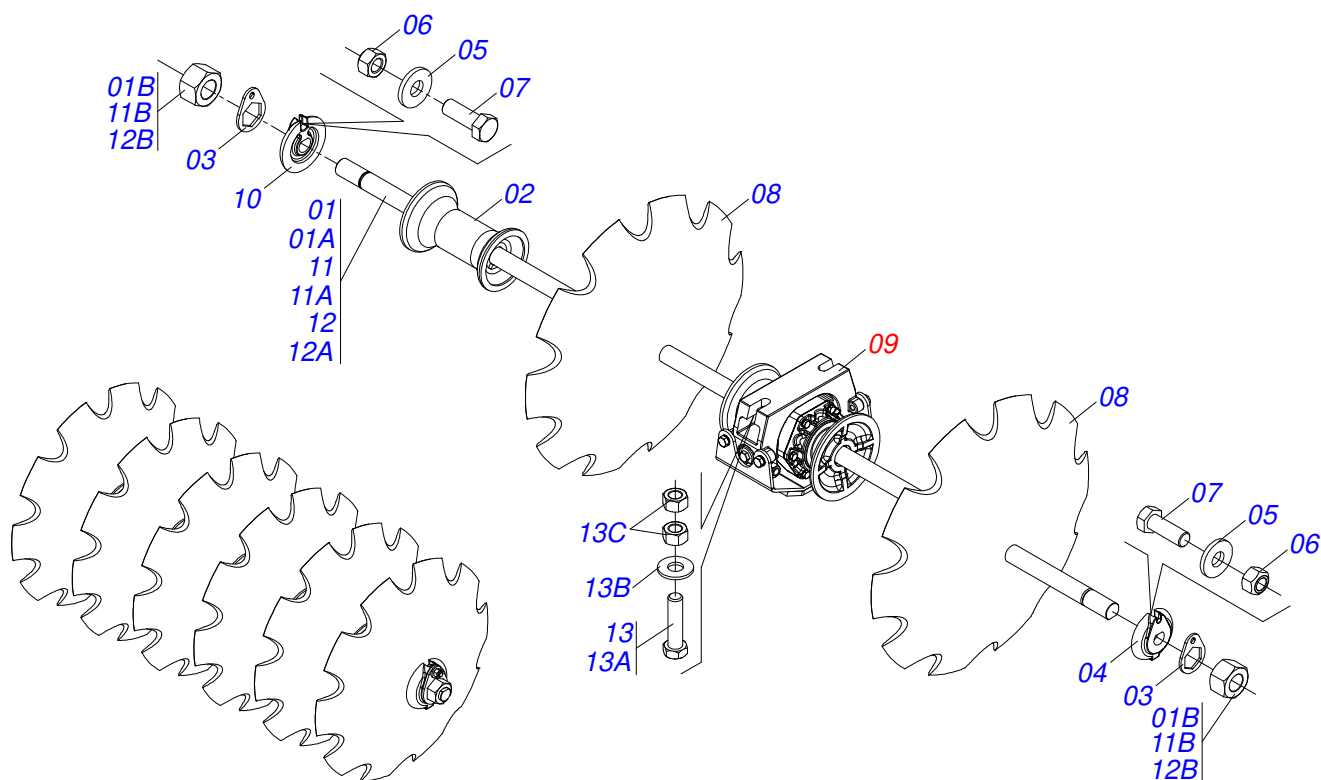
Item	Code	Description	See page	QT
01	0581011745	VALVE SUPPORT		01
02	0503010919	DISCHARGE VALVE		01
03	0503011334	BOLT 3/8 UNC X 3/4 CS G.5 ZN		02
04	0503010025	3/8 SPRING WASHER		02
05	0503010190	2-114 N 3006-9B O'RING		04
06	0501010617	3/4" NIPPLE		04



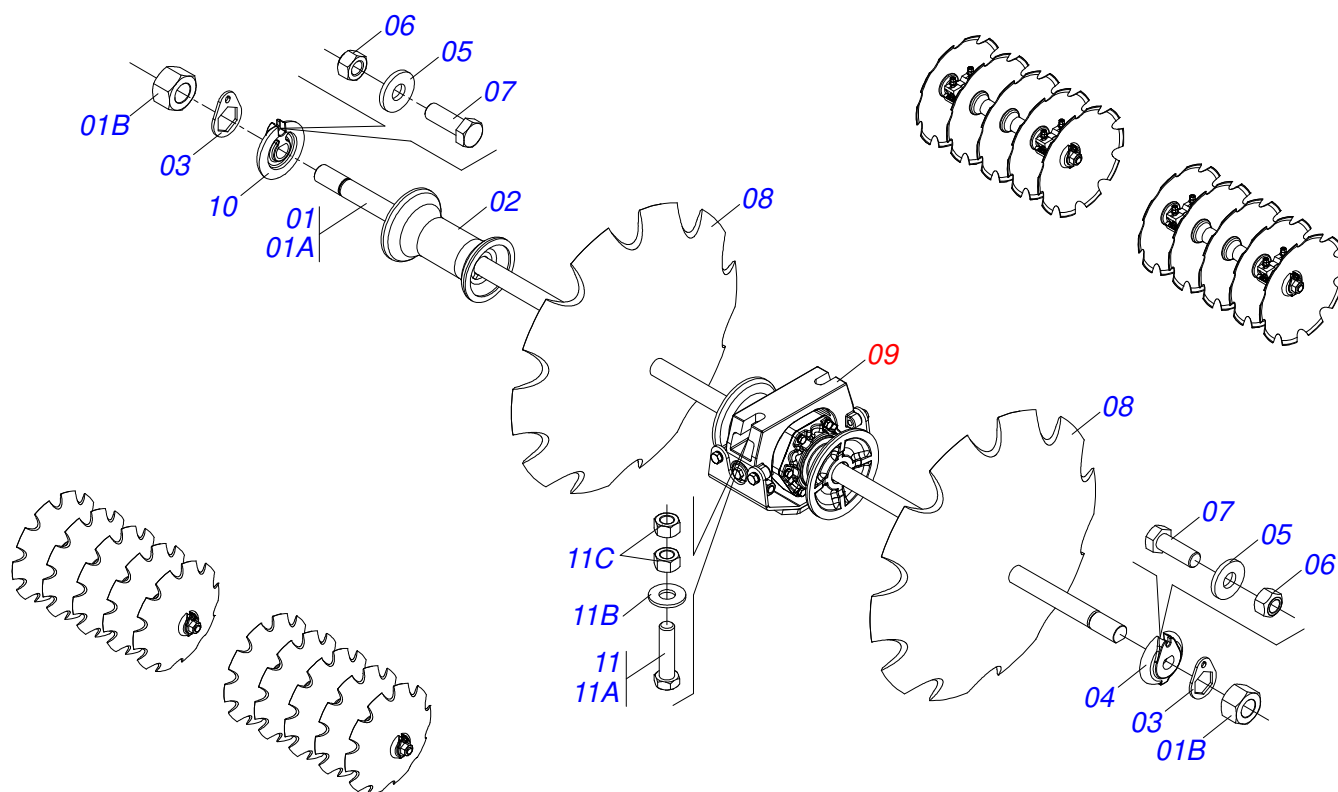
Item	Code	Description	See page	QT
01	0503011883	QUICK CONNECTION COVER		01
02	0503011628	FEMALE QUICK COUPLER		01



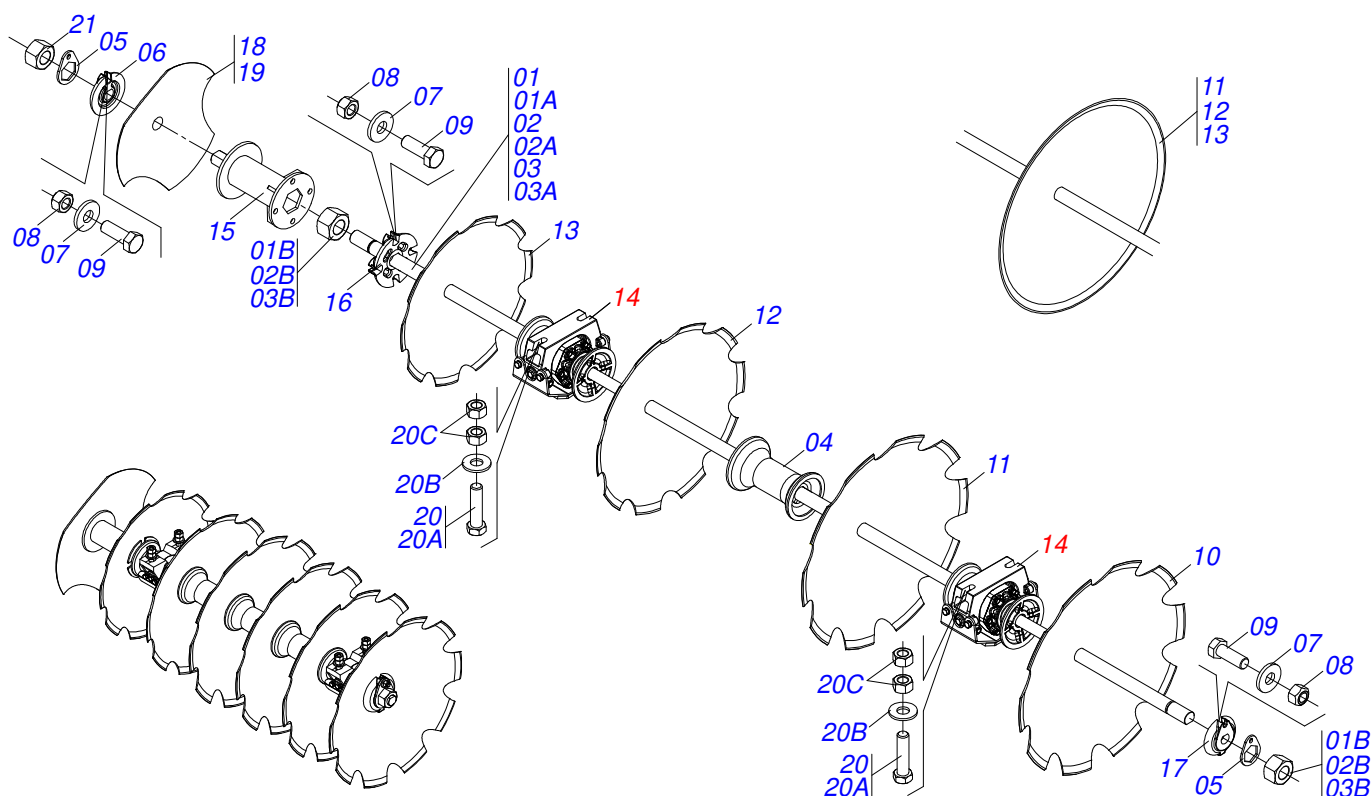
Item	Code	Description	See page	QT
01	0503011627	MALE QUICK COUPLER AGR 1/2 NPT		01
02	0503011882	MALE QUICK COUPLER CAP		01



Item	Code	Description	See page	052	056	060
01	0501046856	1-5/8" X 59" AXLE WITH NUTS 2-3/4		002	000	000
01A	0501019012	1-5/8" X 59" AXLE		002	000	000
01B	0502840640	1.5/8" 2.3/4" NUT		004	000	000
02	0502010703	10.35" 1-5/8" SPACER		006	008	010
03	0511014339	1-5/8" 2.8" NUT LOCK		004	004	004
04	0502011048	1-5/8" EXTERNAL AXLE WASHER		002	002	002
05	0501012140	FLAT WASHER		004	004	004
06	0503012412	5/8 UNC SELF LOCKING NUT		004	004	004
07	0503010232	5/8" X 1.3/4" BOLT		004	004	004
08	0602040155	30 X 7,5 NOTCHED DISC BLADE		012	014	016
08.	0602037006	DR28X7,5 C102AF04FR1.11/16 10R TATU		012	014	016
09	0511048366	OSCILLATING BEARING ASSY	19	004	004	004
10	0502011047	1-5/8" INNER AXLE WASHER		002	002	002
11	0501046859	1-5/8" X 70" AXLE WITH NUTS 2-3/4"		000	002	000
11A	0501015631	1-5/8" X 70" AXLE		000	002	000
11B	0502040640	1.5/8" 2.3/4" NUT		000	004	000
12	0501046861	1-5/8" X 80" AXLE WITH NUTS 2-3/4"		000	000	002
12A	0501019015	1-5/8 X 80" AXLE		000	000	002
12B	0502040640	1.5/8" 2.3/4" NUT		000	000	004
13	0521047424	SCREW ASSY		008	008	008
13A	0501010500	3/4"X3"BOLT		008	008	008
13B	0501010322	FLAT WASHER		008	008	008
13C	0503012183	SNC 3/4" ZIN 1K03097 NUT		016	016	016



Item	Code	Description	See page	052	056	060
01	0501046859	1-5/8" X 70" AXLE WITH NUTS 2-3/4"		004	004	004
01A	0501015631	1-5/8" X 70" AXLE		004	004	004
01B	0502840640	1.5/8" 2.3/4" NUT		008	008	004
02	0502010703	10.35" 1-5/8" SPACER		016	016	016
03	0511014339	1-5/8" 2.8" NUT LOCK		008	008	008
04	0502011048	1-5/8" EXTERNAL AXLE WASHER		004	004	004
05	0501012140	FLAT WASHER		008	008	008
06	0503012412	5/8 UNC SELF LOCKING NUT		008	008	008
07	0503010232	5/8" X 1.3/4" BOLT		008	008	008
08	0602042005	DR30X7,5 C105AF02FR1.13/16 D079 10REC		028	028	028
08.	0602037006	DR28X7,5 C102AF04FR1.11/16 10R TATU		028	028	028
09	0511048366	OSCILLATING BEARING ASSY	19	008	008	008
10	0502012221	1-1/2" INNER AXLE WASHER		004	004	004
11	0521047424	SCREW ASSY		016	016	016
11A	0501010500	3/4"X3"BOLT		016	016	016
11B	0501010322	FLAT WASHER		016	016	016
11C	0503012183	SNC 3/4" ZIN 1K03097 NUT		032	032	032



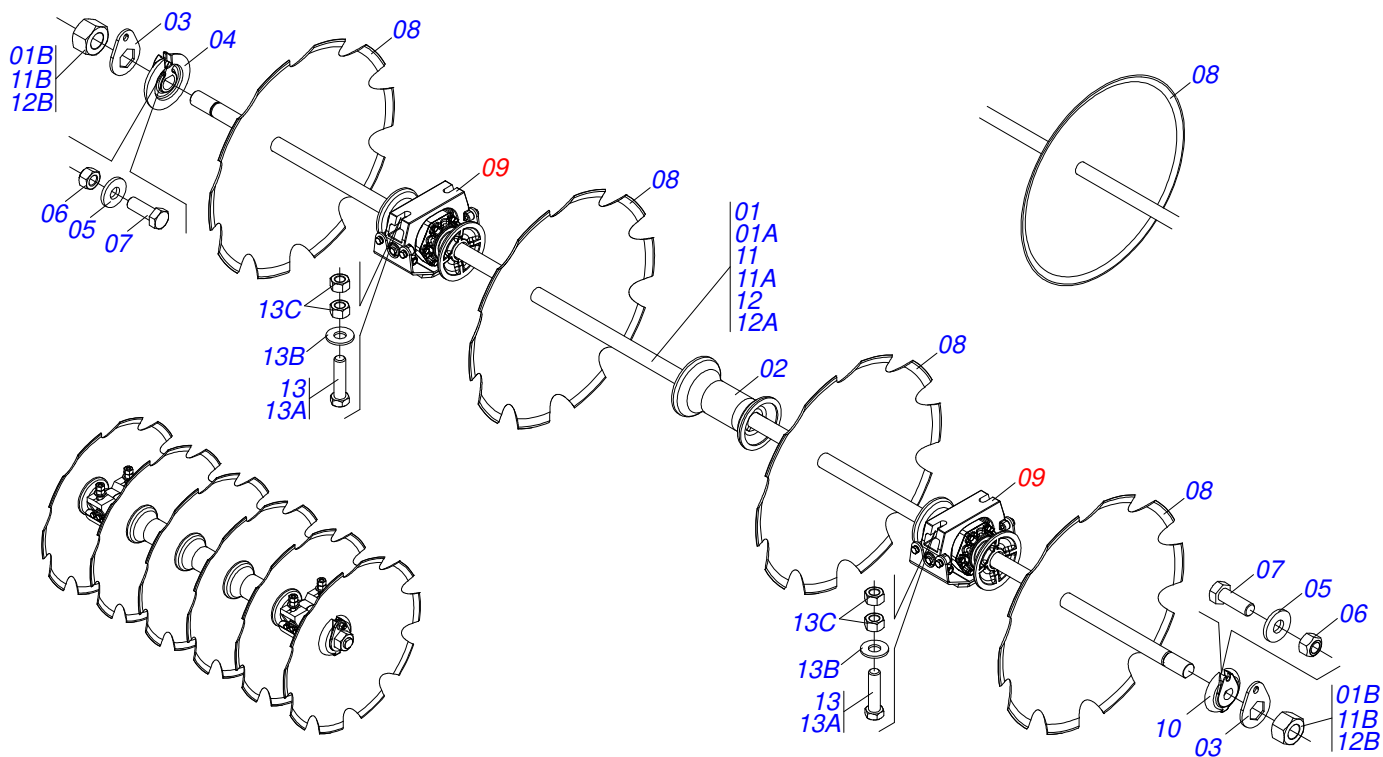
Item	Code	Description	See page	052	056	060
01	0501046856	1-5/8" X 59" AXLE WITH NUTS 2-3/4		001	000	000
01A	0501019012	1-5/8" X 59" AXLE		001	000	000
01B	0502840640	1.5/8" 2.3/4" NUT		002	000	000
02	0501046859	1-5/8" X 70" AXLE WITH NUTS 2-3/4"		000	001	000
02A	0501015631	1-5/8" X 70" AXLE		000	001	000
02B	0502040640	1.5/8" 2.3/4" NUT		000	002	000
03	0501046861	1-5/8" X 80" AXLE WITH NUTS 2-3/4"		000	000	001
03A	0501019015	1-5/8 X 80" AXLE		000	000	001
03B	0502040640	1.5/8" 2.3/4" NUT		000	000	002
04	0502010703	10.35" 1-5/8" SPACER		003	004	005
05	0511014339	1-5/8" 2.8" NUT LOCK		002	002	002
06	0502011048	1-5/8" EXTERNAL AXLE WASHER		001	001	001
07	0501012140	FLAT WASHER		002	002	002
08	0503012412	5/8 UNC SELF LOCKING NUT		002	002	002
09	0503010232	5/8" X 1.3/4" BOLT		002	002	002
10	0602040155	30 X 7,5 NOTCHED DISC BLADE		006	007	008
11	0602037006	DR28X7,5 C102AF04FR1.11/16 10R TATU		006	007	008
11.	0601039053	28"X 0.3" PLAIN DISC BLADE		006	007	008
12	0602033067	26" X 7.5 NOTCHED DISC BLADE		001	001	001
12.	0601033005	26" X 0.2" PLAIN DISC BLADE		001	001	001
13	0602030236	24" X 7,5 NOTCHED DISC BLADE		001	001	001
13.	0601030005	24" X 0.2" PLAIN DISC BLADE		001	001	001
14	0511048366	OSCILLATING BEARING ASSY	19	002	002	002
15	0511067146	10.35" AXLE 1-5/8" SPACER		001	001	001
16	0502012377	1-5/8" EXTERNAL AXLE LOK		001	001	001
17	0502011047	1-5/8" INNER AXLE WASHER		001	001	001
18	0602029360	DR22X6 C69AF02FR1.11/16 03REC TATU		001	001	001
19	0602030445	24 X 6 NOTCHED DISC BLADE		001	001	001
20	0521047424	SCREW ASSY		004	004	004
20A	0501010500	3/4"X3"BOLT		004	004	004
20B	0501010322	FLAT WASHER		004	004	004



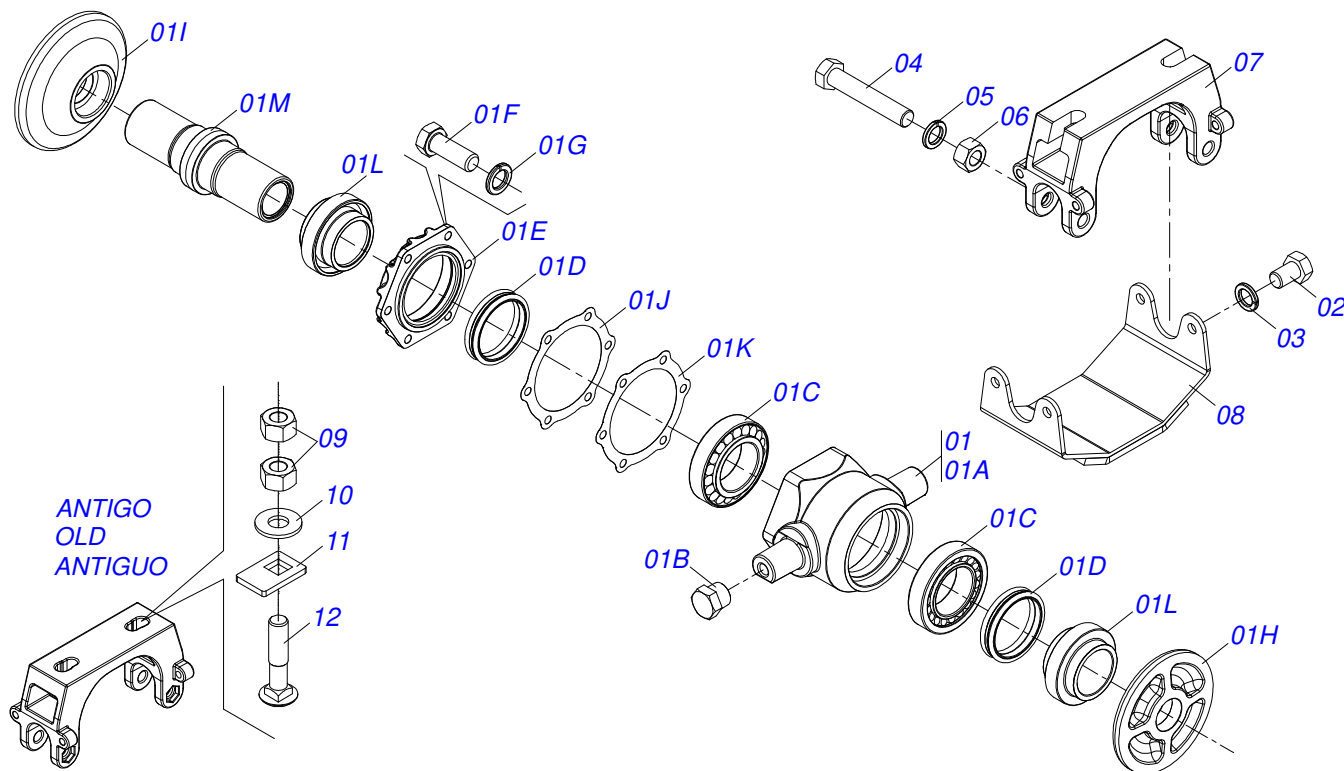
RIGHT SIDE REAR DISC SECTION

0909092719

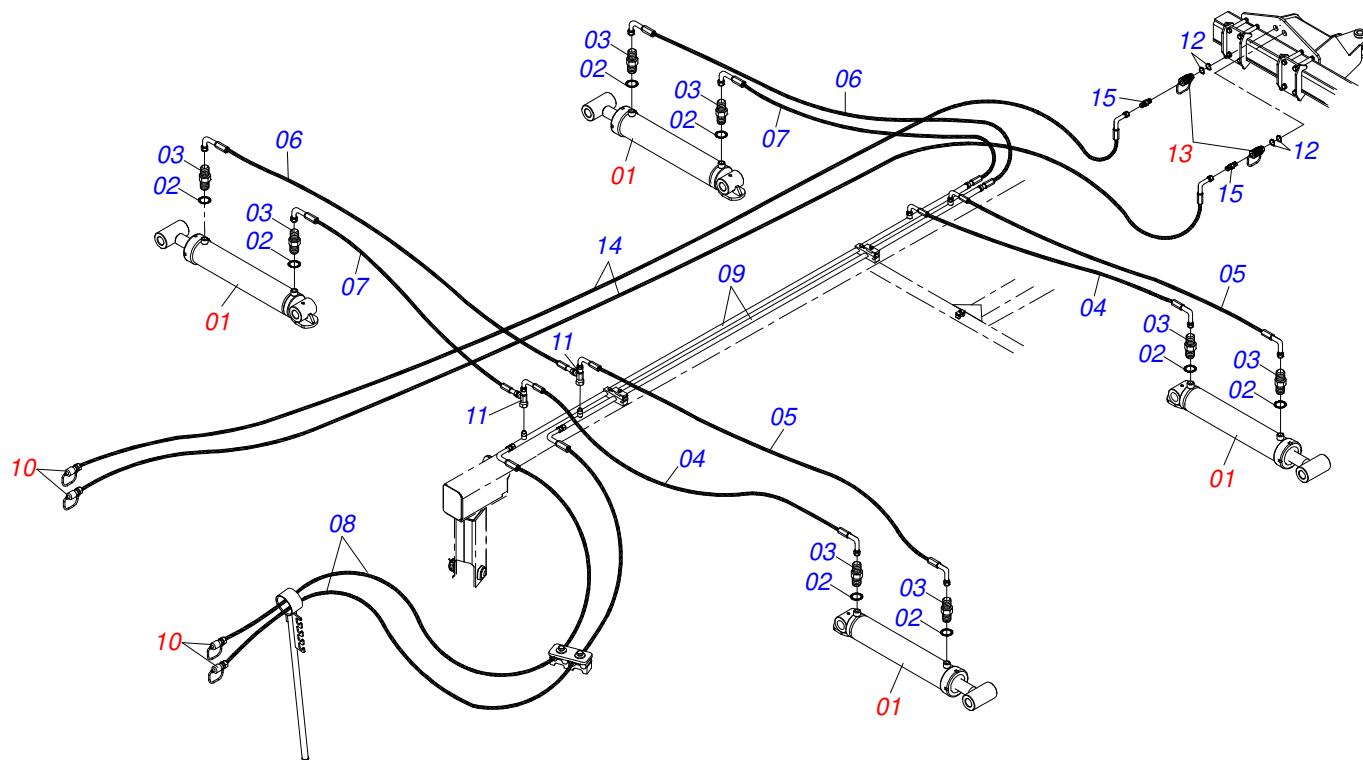
Item	Code	Description	See page	052	056	060
20C	0503012183	SNC 3/4" ZIN 1K03097 NUT		008	008	008
21	0502040640	1.5/8" 2.3/4" NUT		001	001	001



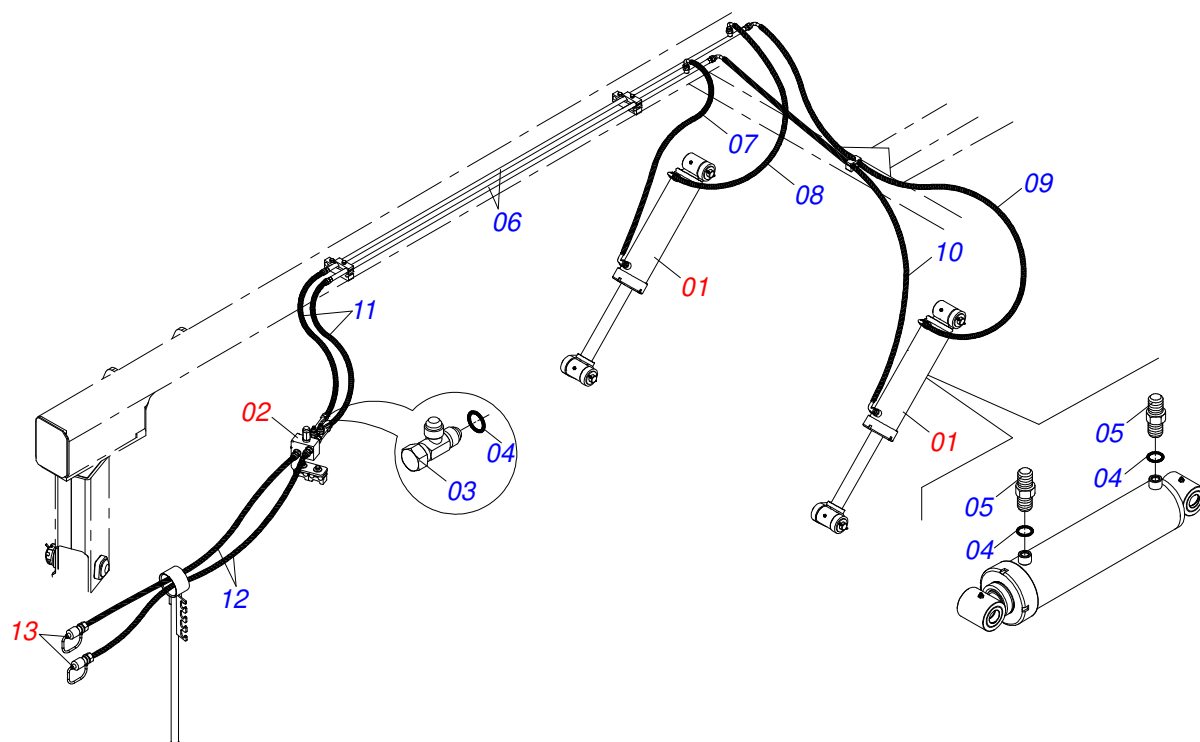
Item	Code	Description	See page	052	056	060
01	0501046856	1-5/8" X 59" AXLE WITH NUTS 2-3/4"		001	000	000
01A	0501019012	1-5/8" X 59" AXLE		001	000	000
01B	0502840640	1.5/8" 2.3/4" NUT		002	000	000
02	0502010703	10.35" 1-5/8" SPACER		003	004	005
03	0511014339	1-5/8" 2.8" NUT LOCK		002	002	002
04	0502011048	1-5/8" EXTERNAL AXLE WASHER		001	001	001
05	0501012140	FLAT WASHER		002	002	002
06	0503012412	5/8 UNC SELF LOCKING NUT		002	002	002
07	0503010232	5/8" X 1.3/4" BOLT		002	002	002
08	0602040155	30 X 7,5 NOTCHED DISC BLADE		006	007	008
08.	0602037006	DR28X7,5 C102AF04FR1.11/16 10R TATU		006	007	008
08..	0601039053	28"X 0.3" PLAIN DISC BLADE		006	007	008
09	0511048366	OSCILLATING BEARING ASSY	19	002	002	002
10	0502011047	1-5/8" INNER AXLE WASHER		001	001	001
11	0501046859	1-5/8" X 70" AXLE WITH NUTS 2-3/4"		000	001	000
11A	0501015631	1-5/8" X 70" AXLE		000	001	000
11B	0502040640	1.5/8" 2.3/4" NUT		000	002	000
12	0501046861	1-5/8" X 80" AXLE WITH NUTS 2-3/4"		000	000	001
12A	0501019015	1-5/8 X 80" AXLE		000	000	001
12B	0502040640	1.5/8" 2.3/4" NUT		000	000	002
13	0521047424	SCREW ASSY		004	004	004
13A	0501010500	3/4"X3"BOLT		004	004	004
13B	0501010322	FLAT WASHER		004	004	004
13C	0503012183	SNC 3/4" ZIN 1K03097 NUT		008	008	008



Item	Code	Description	See page	QT
01	0501059723	OSCILLATING BEARING		01
01A	0502012343	AGRICULTURAL HOUSING BEARING		01
01B	0503010856	OIL PLUG		02
01C	0503013496	3982/3920 ROLLER BEARING		02
01D	0503030027	DUO-CONE SEAL		02
01E	0502020161	WEAR PLATE BEARING		01
01F	0503010237	3/8" X 1" BOLT		06
01G	0503011443	3/8" SPRING WASHER		06
01H	0502040240	INNER FLANGE		01
01I	0502040239	OUTER FLANGE		01
01J	0503030030	5.6" X 4.4" X 0.01" GASKET		01
01K	0503030685	5.5" X 4.4" X 0.003" GASKET		01
01L	0502010736	SEAL RETAINER		02
01M	0502010740	AXLE TK		01
02	0503011401	1/2" X 3/4" BOLT		04
03	0503010019	1/2" SPRING WASHER		04
04	0503010762	SCREW 5/8 UNC X 3.1/2 CS G.5 ZN		02
05	0503010027	5/8 SPRING WASHER		02
06	0503010013	5/8 NUT		02
07	0502012626	CENTER OSCILLATING BEARING SUPPORT		01
08	0521067341	BEARING SWING COVER WITH ENHANCED		01
09	0503010014	3/4" HEX NUT		04
10	0501010322	FLAT WASHER		02
11	0541014269	3/4 SQUARE WASHER		02
12	0501010950	3/4" X 3-1/2" BOLT		02



Item	Code	Description	See page	QT
01	0511057940	HYDRAULIC CILINDER	11	04
02	0503010190	2-114 N 3006-9B O'RING		08
03	0501010617	3/4" NIPPLE		08
04	0501080749	3/8" X 141" TC-TC HOSE ASSY		02
05	0501080751	3/8" X 4200 TC-TC HOSE		02
06	0501080412	3/8" X 90.55" TR-TC HOSE		02
07	0501080461	3/8 X 1800 TR-TC HOSE		02
08	0501080850	3/8" X 6100 TC-TM HOSE		02
09	0521066126	DISTRIBUTOR OIL TUBE		02
10	0501053834	MALE QUICK COUPLER	14	04
11	0503011968	3/4" 8R6X-S T ADAPTER WITH SWIVEL NUT		04
12	0503010217	501040 CLAMPING RING (FOR AXLE)		04
13	0501053835	FEMALE QUICK COUPLER	13	02
14	0501081322	3/8" X 11500 TC-TM HOSE		02
15	0571015342	3/4" NIPPLE		02



Item	Code	Description	See page	QT
01	0511048619	HYDRAULIC CYLINDER		02
02	0511059196	VALVE ASSY	12	01
03	0503011968	3/4" 8R6X-S T ADAPTER WITH SWIVEL NUT		02
04	0503010190	2-114 N 3006-9B O'RING		08
05	0501010617	3/4" NIPPLE		06
06	0521066937	DUCT DISTRIBUTOR OF OIL		02
07	0501080065	3/8 X 1200 TC-TC HOSE		01
08	0501082058	HOSE 3/8 X 800 TC-TC		01
09	0501080644	3/8" X 78.7" TC-TC HOSE ASSY		01
10	0501080370	TC-TC HOSE ASSY		01
11	0501080106	TR-TR HOSE ASSY		02
12	0501080205	HOSE 3/8 X 5500 TR-TM		02
13	0501053834	MALE QUICK COUPLER	14	02



MARCHESAN

Technical Publications | Elaboration and Revision

ALESSANDRA PATRICIA KAWAHARA CARRILI

www.marchesan.com.br

