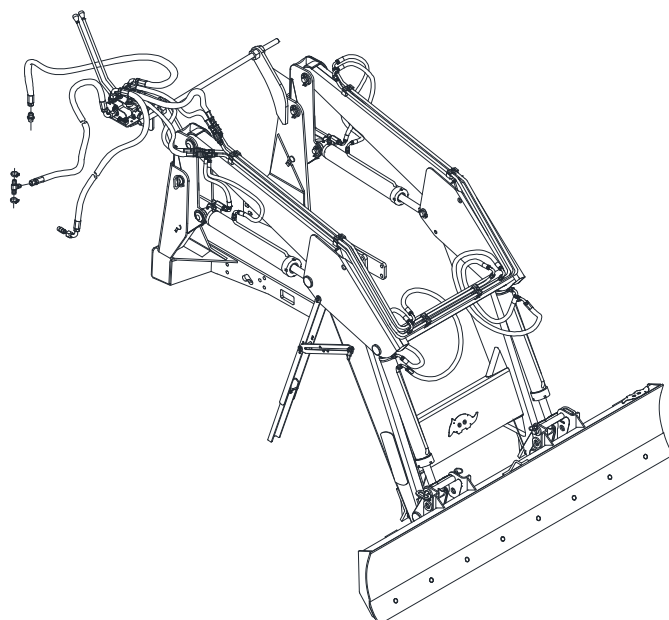


PARTS CATALOG

PCA - AGRICULTURAL FRONT LOADER

**PCA 800 JD 6415-4 / 6110 / 6125E
BTCD LDA**

Code: 0501091967



Series: S-0808

Review: AGOSTO/2017

**ORIGINAL PARTS
TATU**



PRODUCTS

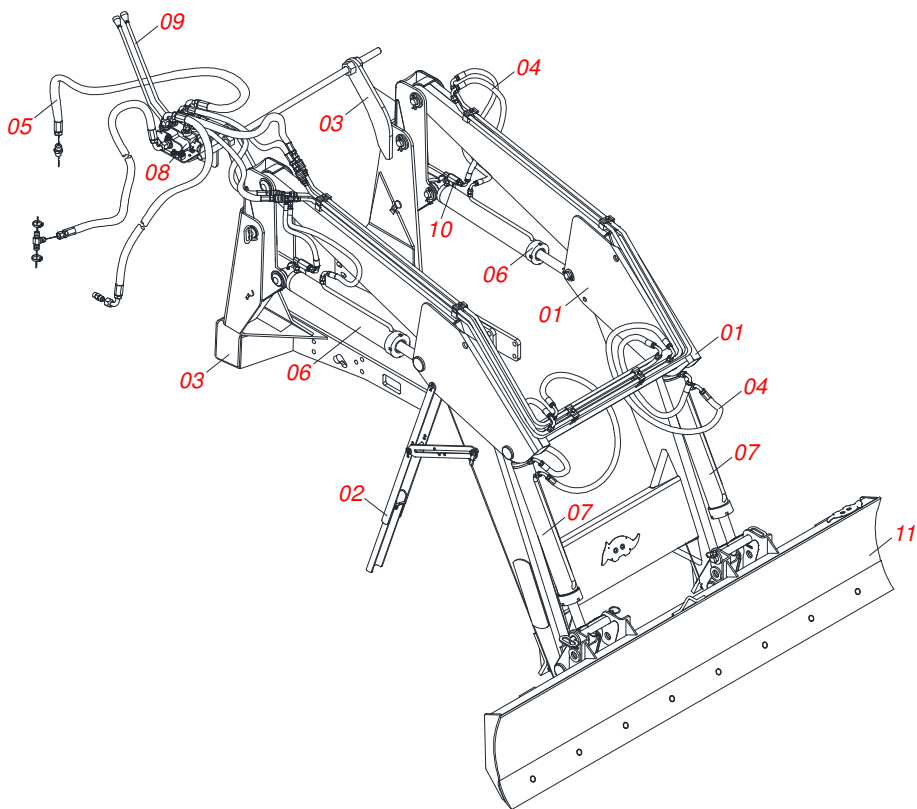
Code	Description
0106111617	PCA 800 JD 6415-4/6110/6125E BT CD LDA S-0808

ATTENTION: **IMPORTANT**

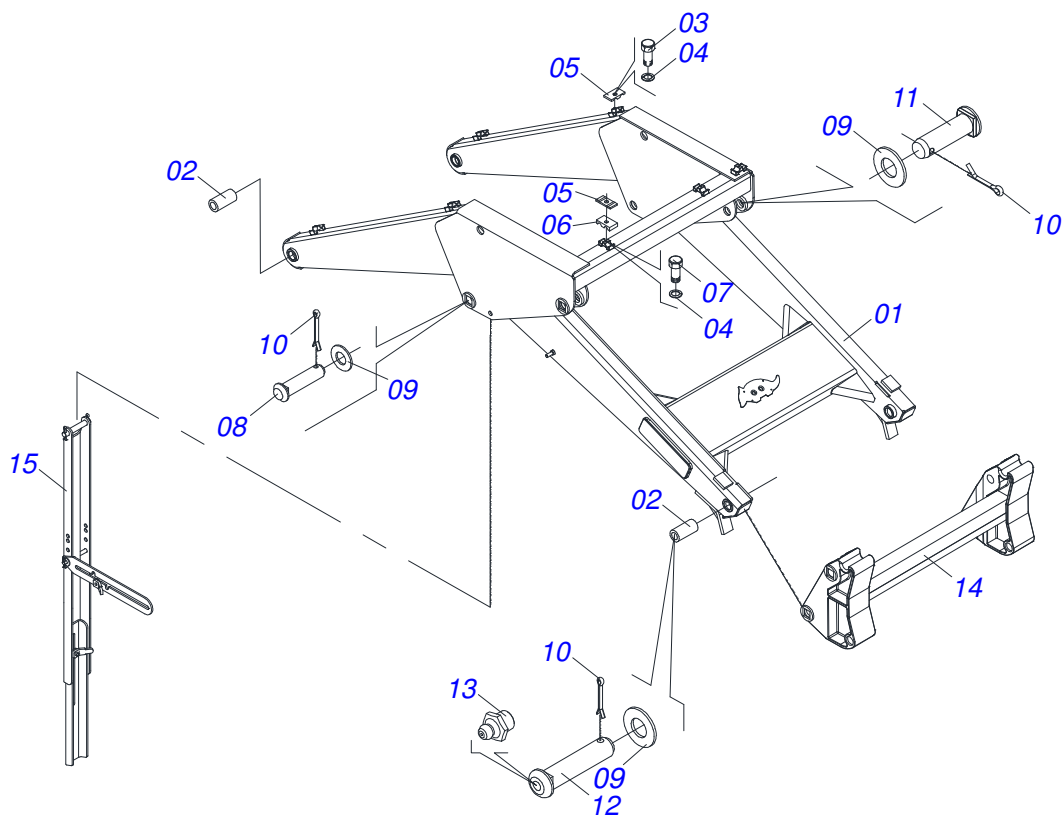
MARCHESAN S/A RESERVES THE RIGHT AT ANY TIME TO MAKE IMPROVEMENTS IN THE DESIGN, MATERIAL OR SPECIFICATIONS OF MACHINERY, EQUIPMENT OR PARTS WITHOUT THEREBY BECOMING LIABLE TO MAKE SIMILAR CHANGES IN MACHINERY, EQUIPMENT OR PARTS PREVIOUSLY SOLD.

INDEX

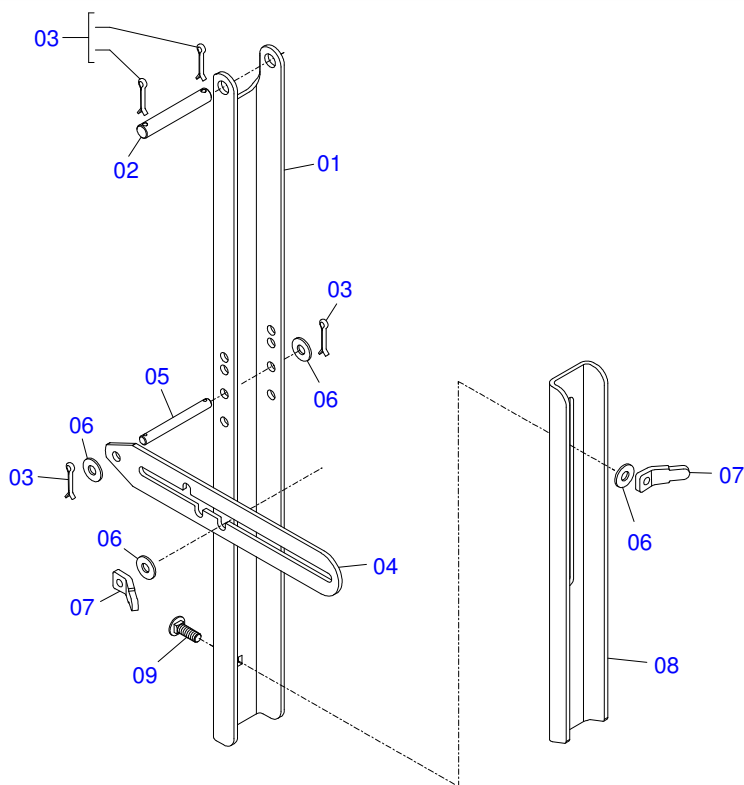
0106111617	PCA 800 JD 6415-4/6110/6125E BT CD LDA S-0808	1
0909092702	MOVEL SUPPORT SET PCA 800	2
0909092667	REST OF THE MOBILE PCA 800 SUPPORT	3
0909092713	PCA 800JD 6415-4/6110/6125E BT CD LDA	4
0909092714	HYDRAULIC CIRCUIT SUPPORT MOVEL PCA 800	5
0909092715	CHASSI ASSEMBLY PCA 600	6
0511042192	1/2" DOUBLE COMMAND ASSY	7
0501047446	CONTROL VALVE (P/COM 1/2 PCA)	8
0511057974	HYDRAULIC CYLINDER	9
0511057973	HIDRAULIC CYLINDER 44,45 X 76,20 X 820 X 551	10
0511057772	SECURITY VALVE SET	11
0511046231	LDA 2600 COMPL PCA 800/1100 S-0606	12



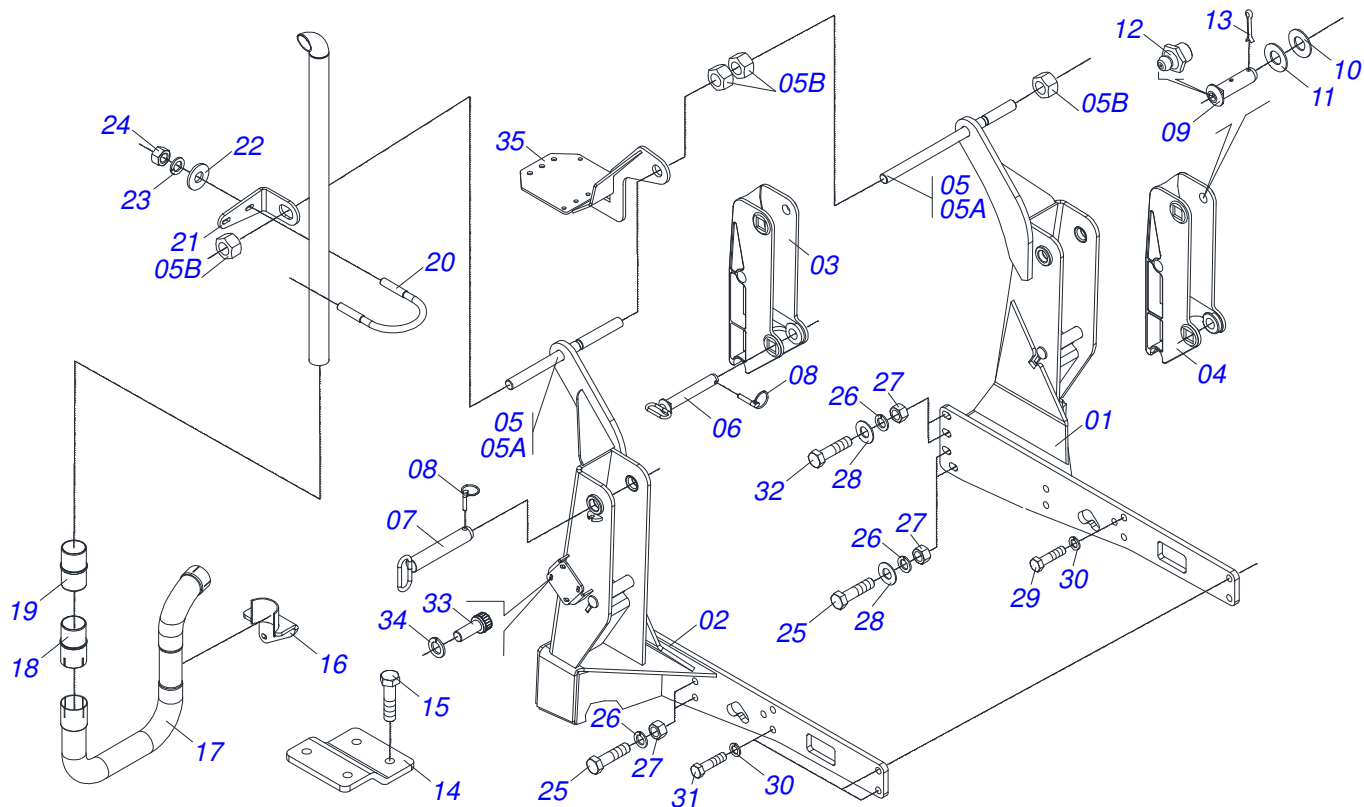
Item	Code	Description	QT
01	0909092702	MOVEL SUPPORT SET PCA 800	01
02	0909092667	REST OF THE MOBILE PCA 800 SUPPORT	01
03	0909092713	PCA 800JD 6415-4/6110/6125E BT CD LDA	01
04	0909092714	HYDRAULIC CIRCUIT SUPPORT MOVEL PCA 800	01
05	0909092715	CHASSI ASSEMBLY PCA 600	01
06	0511057974	HYDRAULIC CYLINDER	02
07	0511057973	HIDRAULIC CYLINDER 44,45 X 76,20 X 820 X 551	02
08	0511042192	1/2" DOUBLE COMMAND ASSY	01
09	0501047446	CONTROL VALVE (P/COM 1/2 PCA)	01
10	0511057772	SECURITY VALVE SET	01
11	0511046231	LDA 2600 COMPL PCA 800/1100 S-0606	01



Item	Code	Description	QT
01	0501069453	MOBILE SUPPORT	01
02	0541014740	SLEEVE	08
03	0503011102	PARAFUSO 7/16 UNC X 1.1/4 C S G.5	02
04	0503010180	7/16" SPRING WASHER	02
05	0531011180	UPPER BODY CLIP	06
06	0502010477	UPPER CLIP	04
07	0503012555	7/16" X 2" BOLT	04
08	0521012868	1.4" X 5" PIVOT SHAFT	02
09	0511019685	FLAT WASHER	06
10	0503010534	3/8 X 2-1/2 COTTERPIN	06
11	0521012869	COUPLING SHAFT	02
12	0521012870	1.46" X 6.18" PIVOT SHAFT	02
13	0503010002	1800 GREASE FITTING	02
14	0501069146	JOINT SUPPORT PCA 800	01
15	0909092667	REST OF THE MOBILE PCA 800 SUPPORT	02



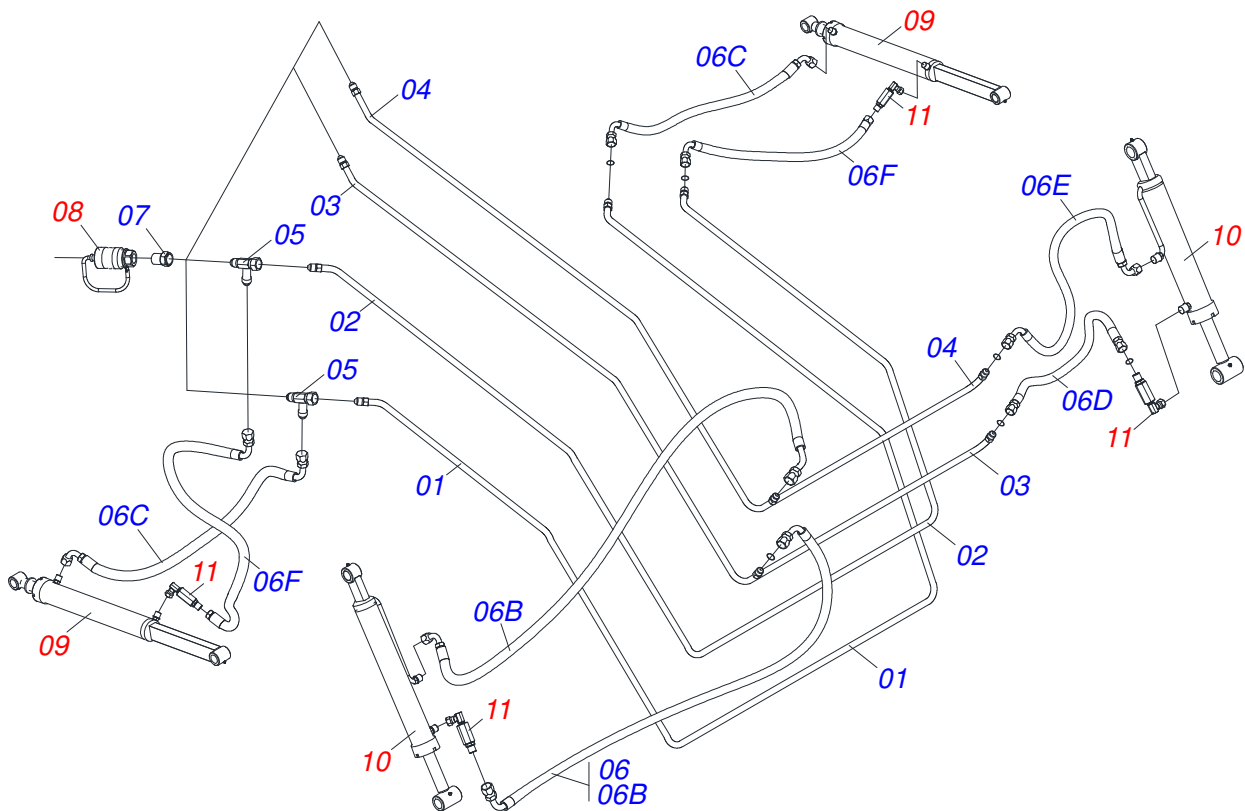
Item	Code	Description	QT
01	0561016401	PLOUGH SUPPORT BODY	02
02	0511013598	3/4" X 4.7" COUPLING SHAFT	02
03	0503010071	3/16" X 1" COTTERPIN	08
04	0511019634	CONTROL LOCK	02
05	0521012823	COUPLING SHAFT	02
06	0511017302	FLAT WASHER	08
07	0561016329	LATCH HOLDER REST PCA	04
08	0561016619	COMPLEMENTON REST	02
09	0503014378	1/2" X 1-1/2" BOLT	02



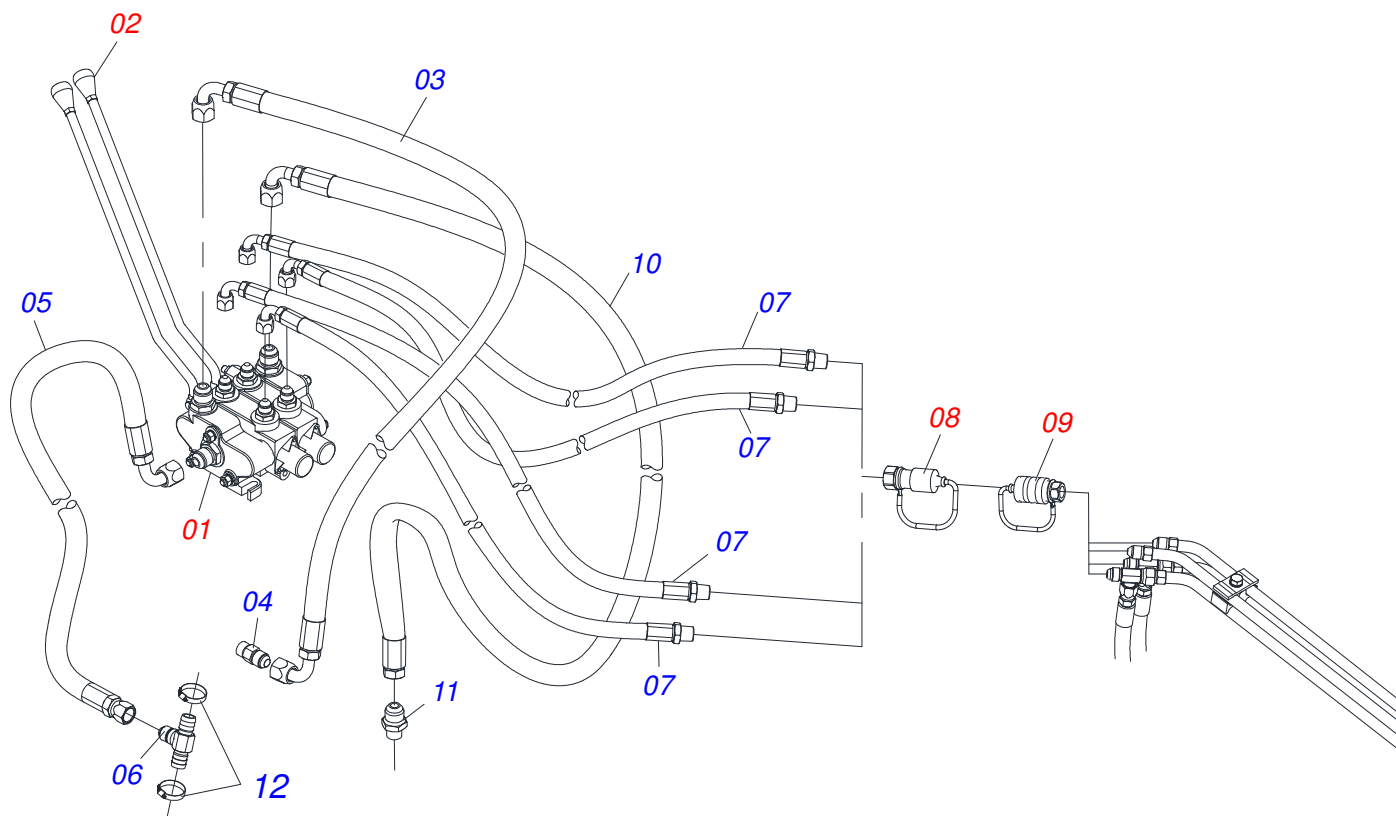
Item	Code	Description	QT
01	0511067173	LEFT FRAME	01
02	0511067172	RIGHT FRAME	01
03	0502012472	MOBILE TOWER	01
04	0502012473	LEFT MOBILE TOWER	01
05	0501042819	1.1/4"NC X 33.46" ROD	01
05A	0501018845	1.1/4" X 33.46" ROD	01
05B	0501010087	1.1/4" NUT	04
06	0511064410	1.5" X 8.1" COUPLING SHAFT	02
07	0521066515	37,20 X 240 ARTICULATION SHAFT WITH HANDLE	02
08	0503030430	7/16 X 2" PIN LOCK	04
09	0521012870	1.46" X 6.18" PIVOT SHAFT	02
10	0511019685	FLAT WASHER	02
11	0501016170	FLAT WASHER	02
12	0503010002	1800 GREASE FITTING	02
13	0503010534	3/8 X 2-1/2 COTTERPIN	02
14	0561017912	FIXER SUPPLEMENT	01
15	0503815107	M12 X 1,75 X40 BOLT	02
16	0521062065	FIXER SUPPLEMENT	01
17	0503032722	EXHAUST	01
18	0571014730	SLEEVE	01
19	0581011746	SLEEVE	01
20	0561011121	CLAMP	01
21	0561011047	FIXER SUPPORT	01
22	0501010984	FLAT WASHER	02
23	0503010025	3/8 SPRING WASHER	02
24	0503010026	3/8" NUT	02
25	0501010125	3/4" X 2-1/2" BOLT	08
26	0503010023	SPRING WASHER	08
27	0503010014	3/4" NUT	08
28	0501010322	FLAT WASHER	04
29	0503013110	M20 X 2,5 X 50 BOLT	04
30	0503010023	SPRING WASHER	12
31	0503013103	M20 X 2,5 X 90 BOLT	06



Item	Code	Description	QT
32	0503013111	M20 X 2,5 X 65 BOLT	04
33	0503015162	M 8 X 1,25 X 20 BOLT	04
34	0503010179	SPRING WASHER	04
35	0521062180	SUPPORT COMMAND	01

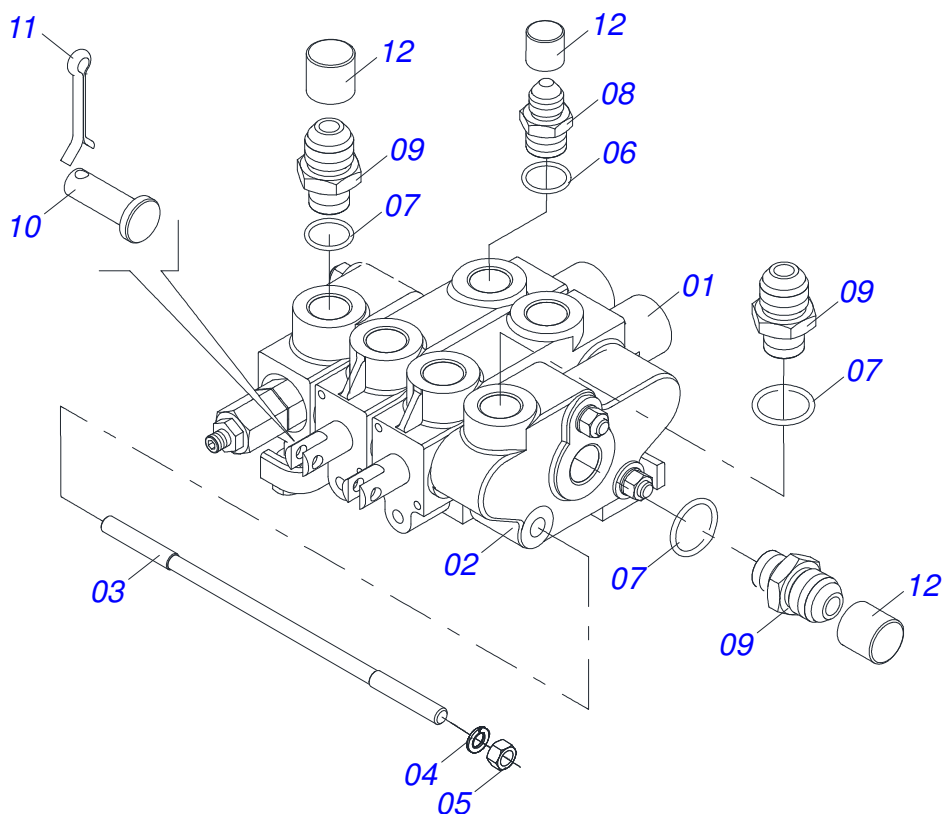


Item	Code	Description	QT
01	0501069860	OUTER OIL TUBE	01
02	0501069861	INNER OIL TUBE	01
03	0501069857	RIGHT RIGHT OIL TUBE	01
04	0501069858	LH RIGHT OIL TUBE	01
05	0503011968	T ADAPTOR WITH GIRAT	02
06	0501053238	HOSE ASSY	01
06A	0503033158	PLASTIC BAG	01
06B	0501080688	3/8" X 25" TC-TC 90G HOSE	02
06C	0501080777	LH 3/8" X 25.9" TC-TC HOSE	02
06D	0501080105	TR-TR HOSE ASSY	01
06E	0501080766	3/8" X 27.56" TC-TC HOSE	01
06F	0501080150	TR-TC HOSE ASSY	02
07	0511019876	1/2" NIPPLE	04
08	0501053835	FEMALE QUICK COUPLER	04
09	0511057974	HYDRAULIC CYLINDER	02
10	0511057973	HIDRAULIC CYLINDER 44,45 X 76,20 X 820 X 551	02
11	0511057772	SECURITY VALVE SET	04

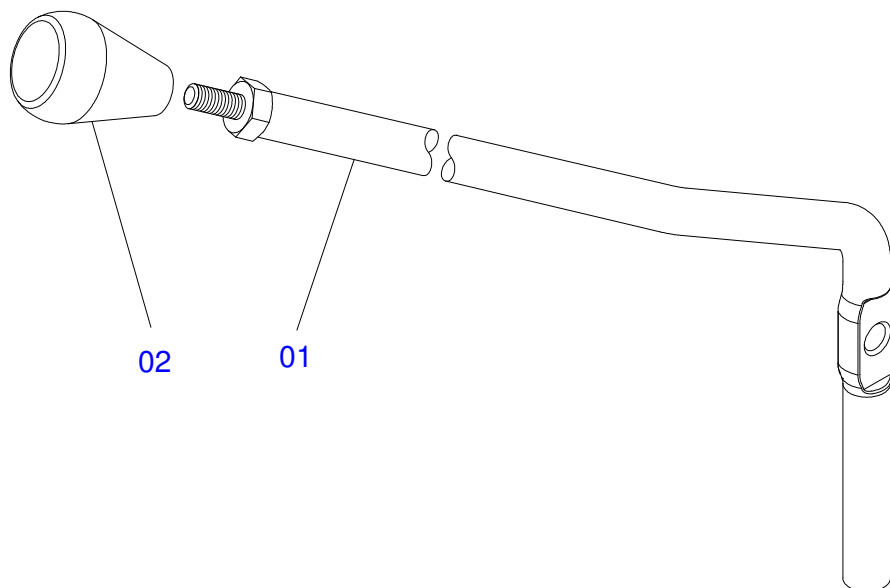


Item	Code	Description	QT
01	0511042192	1/2" DOUBLE COMMAND ASSY	01
02	0501047446	CONTROL VALVE (P/COM 1/2 PCA)	01
03	0501080137	1/2 X 3000 TC-TC HOSE	01
04	0521010935	7/8 UNF NIPPLE X M22 X 1,5 X 52	01
05	0501080705	3/4" X 118" TR-TC HOSE	01
06	0521061553	ADAPTER T	01
07	0501080327	HOSE 1/2 X 1500 TR-TR	04
08	0501053834	QUICK CONECTION (MALE) 1/2	04
09	0501053835	FEMALE QUICK COUPLER	04
10	0501080225	1/2" X 2150 TR-TR HOSE	01
11	0561018342	1" NF NIPPLE	01
12	0503010246	CLAMP	02

1/2" DOUBLE COMMAND ASSY

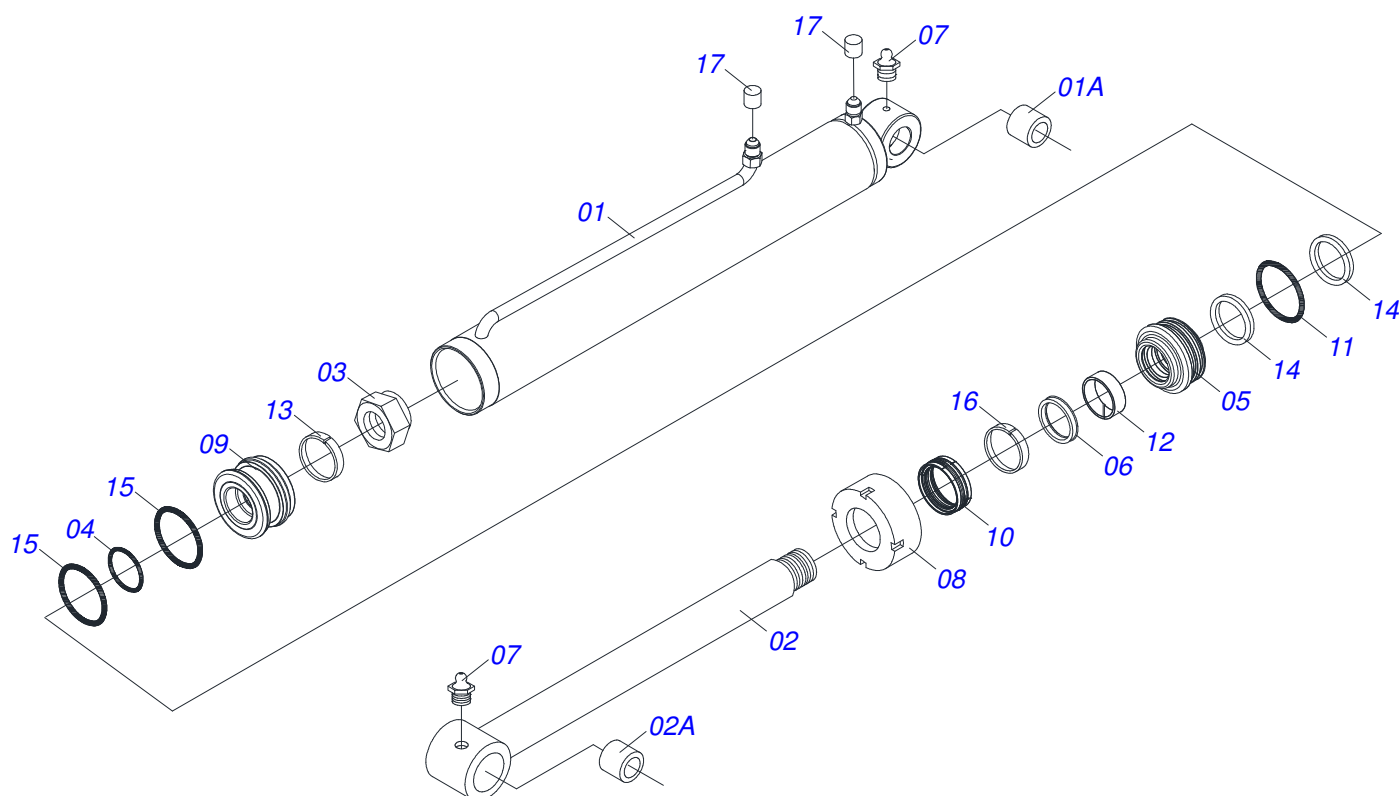


Item	Code	Description	QT
001	0503060081	1/2" DOUBLE COMMAND	01
002	0503012705	DISCHARGE BODY WITH PRESSURE ML25E3TS	01
003	0501016988	3/8" X 3/8" X 10.6" STUD	03
004	0503010025	3/8 SPRING WASHER	06
005	0503010026	3/8" NUT	06
006	0503010045	2-116 N 3006-9B O-RING	04
007	0503011109	2-119 N 3006-9B O-RING	03
008	0501010590	7/8" REDUCTION NIPPLE	04
009	0511018014	7/8"NF X 1.1/16 UN NIPPLE	03
010	0521010532	0.3" X 0.9" COUPLING SHAFT	02
011	0503010140	1/8" X 3/4" COTTERPIN	02
012	0503030387	PLUG	07

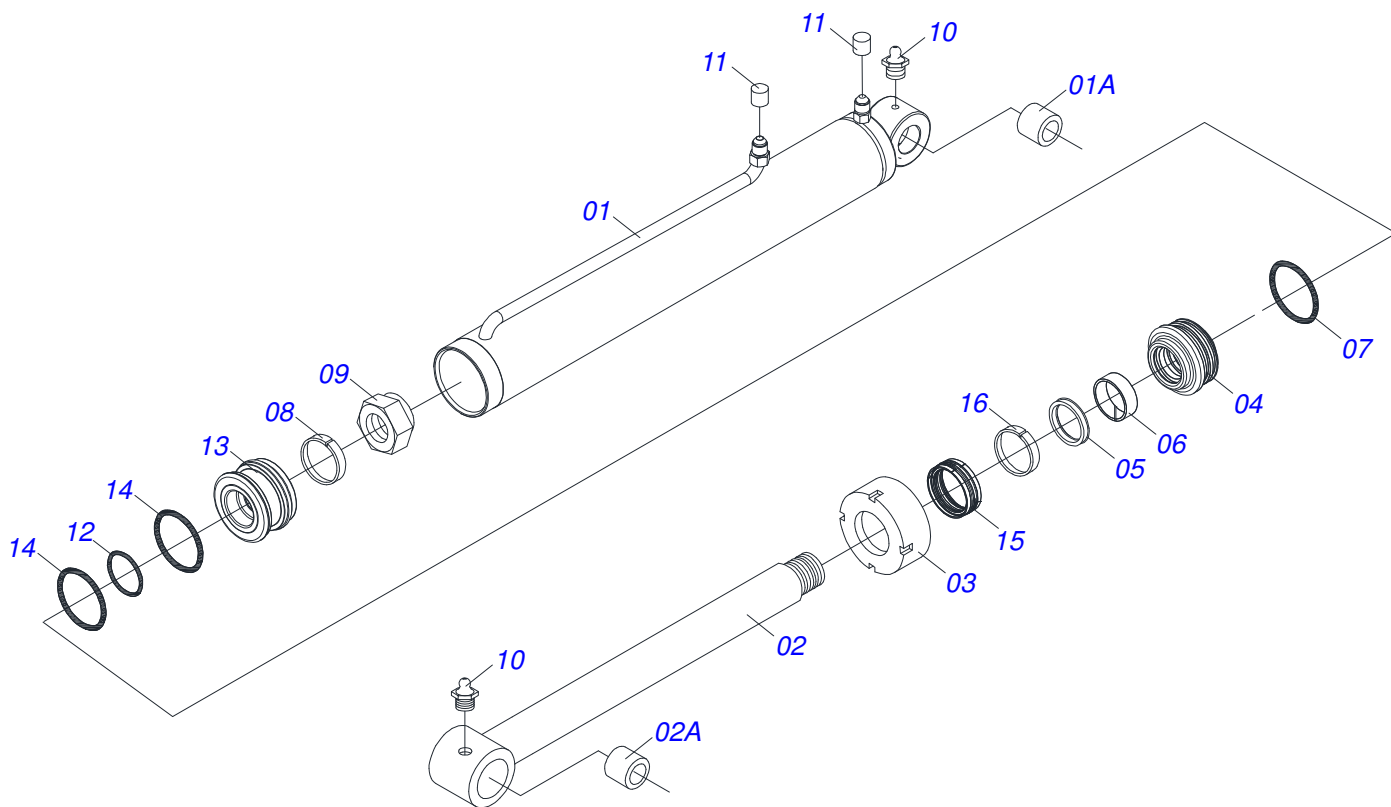


Item	Code	Description	QT
01	0501047446	CONTROL VALVE (P/COM 1/2 PCA)	02
02	0503030878	LEVER CRANK	02

HYDRAULIC CYLINDER

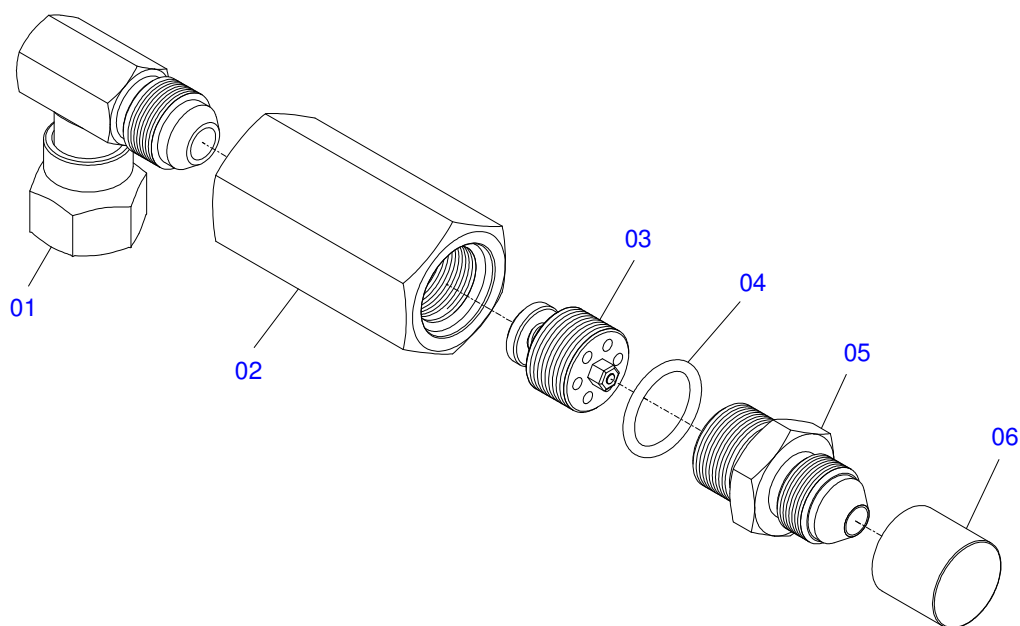


Item	Code	Description	QT
01	0511069198	BODY SHIRT WITH MAKING	01
01A	0521010514	38,1 X 52,9 X 50 SLEEVE INTER	01
02	0521066404	44,45 X 772 TURNBUCKLE	01
02A	0521010514	38,1 X 52,9 X 50 SLEEVE INTER	01
03	0503010063	1" SELF-ALIGNING NUT	01
04	0503010042	2-214 N 3006-9B O'RING	01
05	0571019711	RING SUPPORT	01
06	0503010761	D-1750 SCRAPER RING	01
07	0503010002	1800 GREASE FITTING	02
08	0571019709	DETACHABLE COVER	01
09	0571019710	1.7" X 3.4" PISTON	01
10	0503017935	RING	01
11	0503017936	RING	01
12	0503017938	RING GUIDE	01
13	0503017937	GASKET	01
14	0503017940	8-337 BACK-UP RING	02
15	0503017939	2-337 N 3006-9B O' RING	02
16	0503018144	RING	01
17	0503030385	PLUG	02

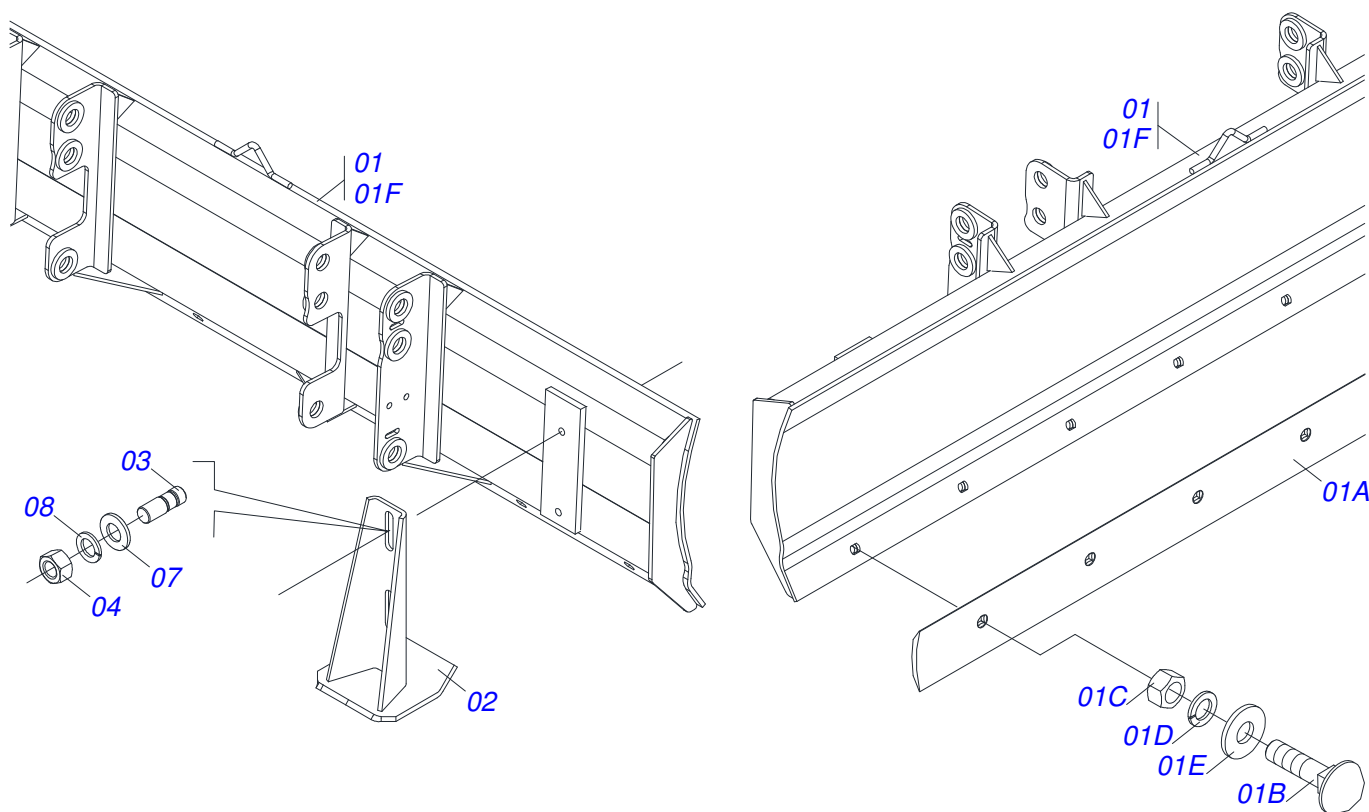


Item	Code	Description	QT
01	0521066381	CYLINDER CASE 76,20 X 723	01
01A	0521010514	38,1 X 52,9 X 50 SLEEVE INTER	01
02	0511065578	1.7" X 28.18" TURNBUCLE	01
02A	0521010514	38,1 X 52,9 X 50 SLEEVE INTER	01
03	0502011899	MOBILE COVER	01
04	0502012264	RING SUPPORT 1.75" X 3"	01
05	0503010761	D-1750 SCRAPER RING	01
06	0503010949	W2-2000-500 PK RING G.E	01
07	0503010343	2-334 N 3006-9B O'RING	01
08	0503011059	8-334 BACK-UP RING	01
09	0503010063	1" SELF-ALIGNING NUT	01
10	0503010002	1800 GREASE FITTING	02
11	0503030385	PLUG	02
12	0503010042	2-214 N 3006-9B O'RING	01
13	0581010304	PISTON	01
14	0503018138	RING BS	02
15	0503018140	RING GUIDE	01
16	0503017937	GASKET	01

SECURITY VALVE SET



Item	Code	Description	QT
01	0503018034	MALE KNEE JIC	01
02	0581014055	ADAPTER	01
03	0503016854	VALVE ASSY	01
04	0503010045	2-116 N 3006-9B O'RING	01
05	0581014054	BSP 1/2" NIPPLE	01
06	0503030385	PLUG	01



Item	Code	Description	QT
001	0511045185	2600MM DOZER BLADE ASSY	01
001A	0622360011	2600 SCRAPER REVERSIBLE	01
001B	0501012240	5/8" X 2-1/2" BOLT	08
001C	0503010013	5/8" NUT	08
001D	0503011445	SPRING WASHER	08
001E	0501012140	FLAT WASHER	08
001F	0511067600	2600 MM DOZER BLADE	01
001G	0503033429	ADHESIVE LABEL	01
001H	0503034003	ALUMINUM ID TAG	01
001I	0503010001	RIVET POP	04
002	0501063411	ESTABILIZER BRACKET	02
003	0561016756	3/4 UNC X 3/4 UNC X 56 PRISONER	04
004	0503010014	3/4" NUT	08
005	0503031087	ADHESIVE LABEL	01
006	0503033429	ADHESIVE LABEL	01
007	0501010322	FLAT WASHER	04
008	0503010023	SPRING WASHER	04



MARCHESAN IMPLEMENTOS E MÁQUINAS AGRÍCOLAS TATU S.A.

AV. Marchesan, 1979 - Post office box, 131 - CEP 15994-900 - Matão - SP - Brazil

Phone +55 16.3382-8282

(FAX Parts) + 55 16.3382. 8297 - (Export) + 55 16.3382.1003

e.mail: tatu@marchesan.com.br www.marchesan.com.br

Technical Publications: Elaboration

LUIZ CANDIDO

Technical Publications: Revision

ALESSANDRA PATRICIA KAWAHARA CARRILI

Contact Catálogo:

E-mail = jgaspari@marchesan.com.br

**ORIGINAL PARTS
TATU**

