

OFFSET DISK HARROW

GCRO 7010 (AXLE 1.5/8") ARTICULATED HYDRAULIC 44-52-56-60 DISCS

Code: 0501091966
Series: S-0915
Revision: 00
Date Revision: SETEMBRO/2023

PARTS CATALOGUE



MARCHESAN



PRODUCTS

Code	Description
0102560291	GCRO 7010 44X30X7,5 MT DMO H E 1.5/8 USA ESP S0915
0102560189	GCRO 7010 52X28X7,5 DMO ESPECIAL S-0915
0102560163	GCRO 7010 52X28X7,5 DMO ESPECIAL S-0915
0102560245	GCRO 7010 52X30X7,5 DMO C/PN ESPECIAL S-0915
0102560191	GCRO 7010 52X30X7,5 DMO ESPECIAL S-0915
0102560143	GCRO 7010 52X30X7,5 DMO ESPECIAL S-0915
0102560162	GCRO 7010 52X30X7,5 DMO ESPECIAL S-0915
0102560174	GCRO 7010 52X30X7,5 DMO MT ESP S-0915
0102560170	GCRO 7010 52X30X7,5 DMO MT ESPECIAL S-0915
0102560190	GCRO 7010 56X28X7,5 DMO ESPECIAL S-0915
0102560183	GCRO 7010 56X28X7,5 DMO ESPECIAL S-0915
0102560164	GCRO 7010 56X28X7,5 DMO ESPECIAL S-0915
0102560192	GCRO 7010 56X30X7,5 DMO ESPECIAL S-0915
0102560184	GCRO 7010 56X30X7,5 DMO ESPECIAL S-0915
0102560165	GCRO 7010 56X30X7,5 DMO ESPECIAL S-0915
0102560166	GCRO 7010 56X30X7,5 DMO ESPECIAL S-0915
0102560141	GCRO 7010 56X30X7,5 DMO ESPECIAL S-0915
0102560336	GCRO 7010 56X30X7,5 DMO HID ESPECIAL S-0915
0102560305	GCRO 7010 56X30X7,50 DMO HID ESPEC S-0915
0102560194	GCRO 7010 60X28X7,5 DMO ESPECIAL S-0915
0102560196	GCRO 7010 60X28X7,5 DMO ESPECIAL S-0915
0102560167	GCRO 7010 60X28X7,5 DMO ESPECIAL S-0915
0102560142	GCRO 7010 60X30X7,5 DMO ESPECIAL S-0915
0102560168	GCRO 7010 60X30X7,5 DMO ESPECIAL S-0915
0102560169	GCRO 7010 60X30X7,5 DMO ESPECIAL S-0915

ATTENTION: IMPORTANT

Marchesan S.A. reserves the right to improve and/or modify the technical features of its products, without obligation to do the same with those products already sold and without prior knowledge of the dealer or the customer. The photos are only illustrative.

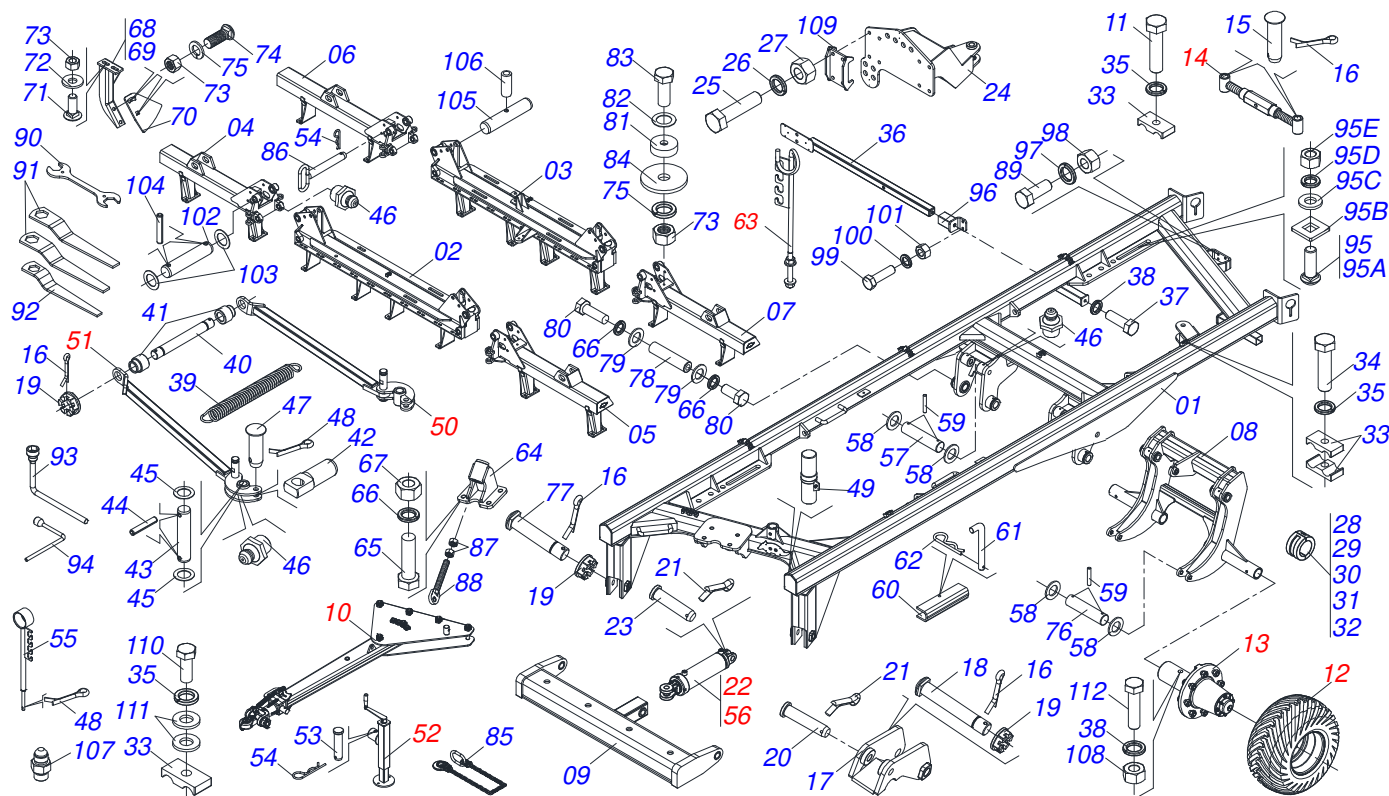


MARCHESAN

INDEX

0909092716	ASSY FRAME	1
0521041823	ASSY TRACTION BAR (PIN 3)	2
0511045200	ASSY TRACTION BAR WITH HITCH 3	3
0531040171	ASSY HITCH	4
0503060102	WHEEL AND TIRE	5
0501056467	STUB SHAFT & HUB ASSY	6
0521058810	WHEEL WITHOUT TIRE	7
0501052005	STABILIZER FOR GANG	8
0909092721	HYDRAULIC CIRCUIT FRAME ARTICULATE	9
0511057940	HYDRAULIC CILINDER	10
0501053834	MALE QUICK COUPLER	11
0501053835	FEMALE QUICK COUPLER	12
0501057273	PIVOT ARM ASSY	13
0501057274	LH REAR DRIVER ARM	14
0511048088	DRAWBAR JACK	15
0909092722	HYDRAULIC CIRCUIT OF THE WHEELS WITH VALVE CYLINDER	16
0521051832	HYDRAULIC CYLINDER 53,98 X 114,30 X 654 X 346	17
0521046001	50,80 X 101,60 X 410 X 107 HYDRAULIC CILINDER	18
0511059196	ASSY VALVE	19
0501040257	ASSY 3/4 X 38 HOSE SUPPORT	20
0909092719	ASSY DISC SECTION 48/52/56/60D	21
0511048366	OSCILLATING BEARING ASSY	22

ASSY FRAME



Item	Code	Description	See page	044	052	056	060
001	0521066477	FRAME		000	001	001	001
001.	0521066454	FRAME		001	000	000	000
002	0521066488	FRONT CENTRAL FRAME		000	001	001	001
002.	0521066459	FRONT CENTRAL FRAME		001	000	000	000
003	0521066489	REAR CENTER FRAME		000	001	001	001
003.	0521066458	REAR CENTRAL FRAME		001	001	000	000
004	0521066573	RIGHT SIDE REAR FRAME 48D (4400)		001	001	000	000
004.	0521066576	RIGTH SIDE REAR FRAME 52D (4400)		000	000	001	000
004..	0521066490	RIGTH SIDE REAR FRAME 60D		000	000	000	001
005	0521066572	LEFT SIDE FRONT FRAME 48D (4400)		001	001	000	000
005.	0521066578	LEFT SIDE REAR FRAME 52D (4400)		000	000	001	000
005..	0521066491	LEFT SIDE REAR FRAME 60D		000	000	000	001
006	0521066571	RIGHT SIDE REAR FRAME 48D (4400)		001	001	000	000
006.	0521066579	RIGHT SIDE REAR FRAME 52D (4400)		000	000	001	000
006..	0521066493	RIGHT SIDE REAR FRAME 60D		000	000	000	001
007	0521066574	LEFT SIDE REAR FRAME 48D (4400)		001	001	000	000
007.	0521066577	LEFT SIDE REAR FRAME 52D (4400)		000	000	001	000
007..	0521066492	LEFT SIDE REAR FRAME 60D		000	000	000	001
008	0521066478	CARRYNG-WHEELS		001	001	001	001
008.	0521067722	WHEELED		001	000	000	000
009	0521066494	HITCH BAR		000	001	001	001
010	0521041823	ASSY TRACTION BAR (PIN 3)	2	000	001	001	001
010.	0511045200	ASSY TRACTION BAR WITH HITCH 3	3	001	000	000	000
011	0503011103	7/16" X 2-1/2" BOLT		002	000	000	000
012	0503060102	WHEEL AND TIRE	5	000	004	004	004
013	0501056467	STUB SHAFT & HUB ASSY	6	000	004	004	004
013.	0521058810	WHEEL WITHOUT TIRE	7	001	000	000	000
014	0501052005	STABILIZER FOR GANG	8	001	001	001	001
015	0521010546	1.2" X 5.7" COUPLING SHAFT		002	002	002	002
016	0503010010	1/4" X 2.1/2" SPLIT PIN		013	011	011	011
017	0511064656	DRAWBAR PIVOT		001	001	001	001

**GCRO 7010 (AXLE 1.5/8") ARTICULATED HYDRAULIC****ASSY FRAME**

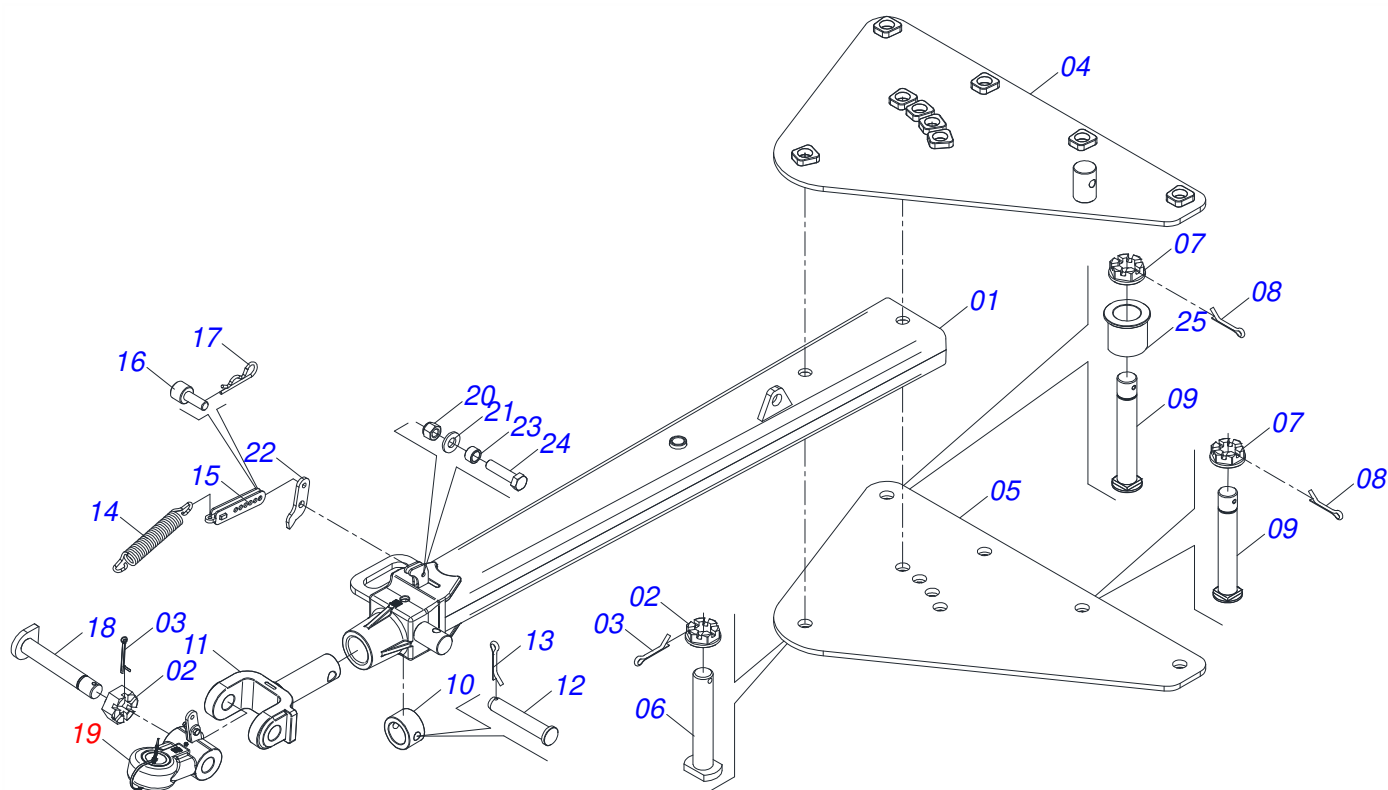
0909092716

Item	Code	Description	See page	044	052	056	060
018	0521012053	1.5" X 8.6" AXLE		001	001	001	001
019	0501011301	1.1/2 UNC 6FPP 2.5/16 NUT		011	011	011	011
020	0531019171	1.25" X 7" COUPLING SHAFT		001	001	001	001
021	0503010523	1/4" X 2" SPLIT PIN		003	004	004	004
022	0909092721	HYDRAULIC CIRCUIT FRAME ARTICULATE	9	001	001	001	001
023	0521012538	1.2" X 3.5" COUPLING SHAFT		001	001	001	001
024	0521065966	REAR HITCH		000	001	001	001
024.	0531062771	REAR HITCH		001	000	000	000
025	0501010064	1" X 9" BOLT		000	008	008	008
026	0503010012	1" SPRING WASHER		004	008	008	008
027	0501010059	1.5/8 NUT		004	008	008	008
028	0501047895	25 ROD STOP		006	006	006	006
029	0501047885	30 ROD STOP		003	003	003	003
030	0501047886	35 ROD STOP		003	003	003	003
031	0501047887	40 ROD STOP		003	003	003	003
032	0501047888	45 ROD STOP		003	003	003	003
033	0502010477	HOSE CLAMP		018	018	018	018
034	0503011135	BOLT		009	012	012	012
035	0503010180	7/16" SPRING WASHER		013	016	016	016
036	0521066443	SUPPORT FIXER LANTERN		000	002	002	002
037	0501010098	3/4" UNC BOLT		002	002	002	002
038	0503010023	3/4" SPRING WASHER		004	006	006	006
039	0503032537	50,7 X 325 X 6,35 TRACTION SPRING		004	004	004	004
040	0501210091	ARTICULATOR PIVOT AXIS		004	004	004	004
041	0541016614	38,20 X 62 X 61 SLEEVE		008	008	008	008
042	0541019253	FRAME LOCK AXLE		008	008	008	008
043	0541016677	37,20 X 177 COUPLING SHAFT		008	008	008	008
044	0503010361	SPRING PIN		016	016	016	016
045	0511019685	FLAT WASHER		016	016	016	016
046	0503010002	1800 GREASE FITTING		039	046	046	046
047	0521010572	0.9" X 2.9" COUPLING SHAFT		008	008	008	008
048	0503010571	1/4" X 1.1/2" SPLIT PIN		008	008	008	008
049	0521052964	MANUAL DOOR ASSY INSTRUCTION		001	001	001	001
050	0501057273	PIVOT ARM ASSY	13	004	004	004	004
051	0501057274	LH REAR DRIVER ARM	14	004	004	004	004
052	0511048088	DRAWBAR JACK	15	001	001	001	001
053	0561014251	COUPLING SHAFT		001	001	001	001
054	0503030012	HITCH PIN CLIP		005	001	001	001
055	0521062849	HOSE HOLDER ASSY		000	001	001	001
056	0909092722	HYDRAULIC CIRCUIT OF THE WHEELS WITH 16 VALVE CYLINDER		002	002	002	002
057	0531018105	1.2" X 11.8" PIVOT SHAFT		002	002	002	002
058	0501017779	32 X 60 X 4.75 FLAT WASHER		008	008	008	008
059	0503011877	0.3" X 2.4" SPRING PIN		008	008	008	008
060	0561016693	TRANSPORT LOCK		002	002	002	002
061	0541016844	FIXER LOCK		002	003	003	003
062	0503030168	HITCH PIN CLIP		003	002	002	002
063	0501040257	ASSY 3/4 X 38 HOSE SUPPORT	20	001	000	000	000
064	0521066580	CYLINDER FIXER		001	001	001	001
065	0501010276	BOLT		004	004	004	004
066	0503010012	1" SPRING WASHER		000	008	008	008
067	0501010059	1.5/8 NUT		000	004	004	004
068	0511065926	FRONT SCRAPER SUPPORT		022	026	028	030
069	0511065925	REAR SCRAPER SUPPORT		023	027	029	031
070	0561014263	CLEANER SHOVEL		045	053	057	061
071	0503013842	5/8" UNC X 1-3/4" BOLT		090	106	114	122
072	0501012140	FLAT WASHER		110	130	134	142
073	0503010013	5/8 NUT		184	216	232	248
074	0503012195	5/8" NUT		090	106	114	122

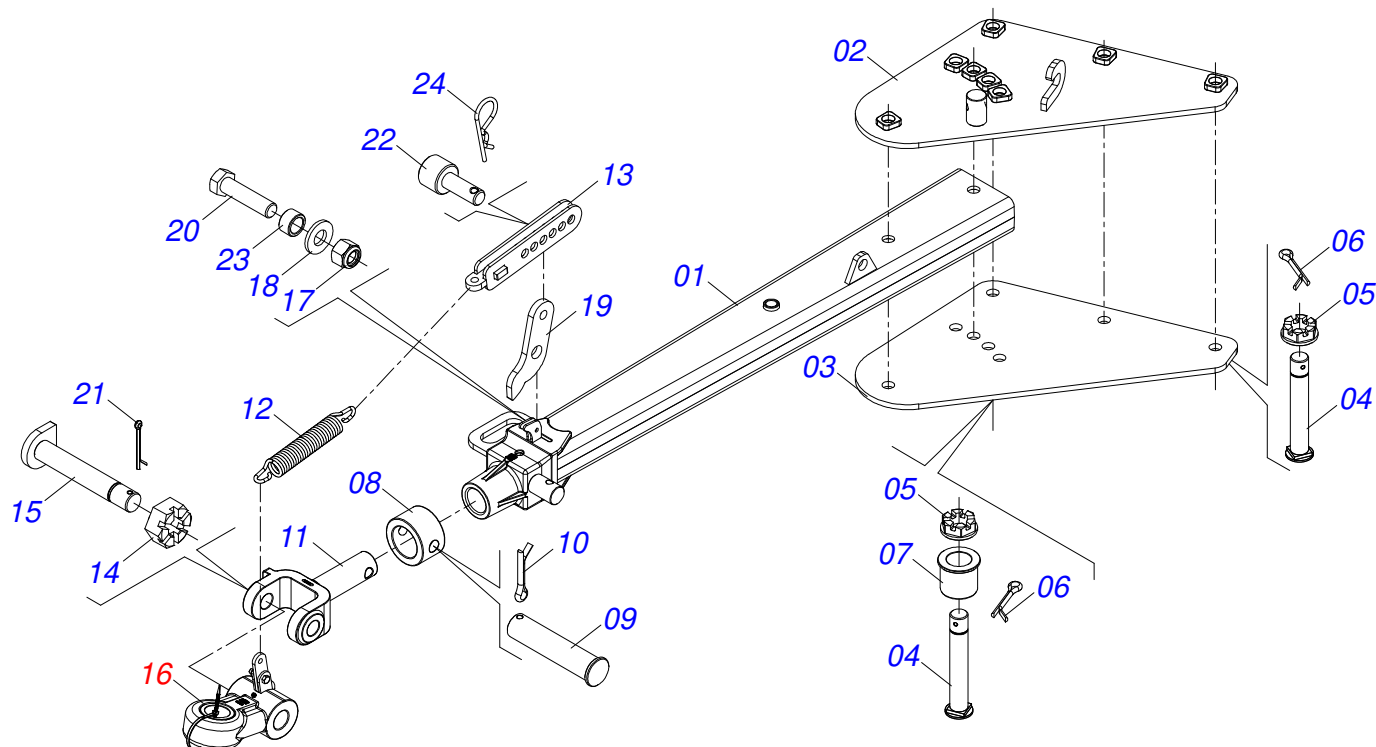
**GCRO 7010 (AXLE 1.5/8") ARTICULATED HYDRAULIC****ASSY FRAME**

0909092716

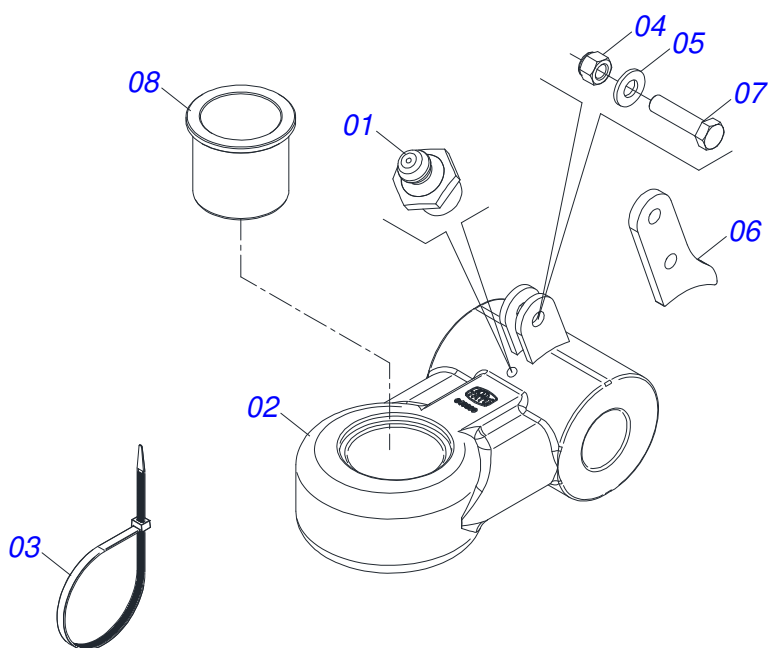
Item	Code	Description	See page	044	052	056	060
075	0503010027	5/8 SPRING WASHER		094	110	118	126
076	0531018101	1.2" X 6.3" PIVOT SHAFT		002	002	002	002
077	0531018100	37,50 X 200 COUPLING SHAFT		002	002	002	002
078	0531018062	COUPLING SHAFT		002	002	002	002
079	0521011565	FLAT WASHER		004	004	004	004
080	0503011250	1" X 2" BOLT		004	004	004	004
081	0581011153	FRAME BEAT		004	004	004	004
082	0571010265	16.5 X 40 X 3 FLAT WASHER		004	004	004	004
083	0503010233	5/8" X 2-1/2" BOLT		004	004	004	004
084	0571013284	17.5 X 90 X 4.75 FLAT WASHER		004	004	004	004
085	0503013150	1300 X 3/8 CHAIN		001	001	001	001
086	0501069463	1" X 8" LOCK PIN		004	004	004	004
087	0501010333	1.3/4" NUT		000	002	002	002
088	0511064433	REGULATOR SPINDLE 1-3/4		001	001	001	001
089	0503012419	7/8" X 2-3/4" BOLT		004	000	000	000
090	0541015451	FIXED KEY 2.3/8 X 2.3/4		001	001	001	001
091	0501011431	1-3/4" GANG BOLT WRENCH		002	002	002	002
092	0501011432	1-1/2" AND 1-5/8 GANG BOLT WRENCH		002	002	002	002
093	0503016137	1-1/4" WRENCH CABLE CYLINDER		001	001	001	001
094	0503018438	1" WRENCH CYLINDRICAL HEX		001	001	001	001
095	0501041102	1-1/4" X 3-3/4" ASSY BOLT		008	008	008	008
095A	0501015348	1-1/4" X 3-3/4" BOLT		008	008	008	008
095B	0501010953	1-1/4" SQUARE WASHER		008	008	008	008
095C	0531010713	FLAT WASHER		008	008	008	008
095D	0503010070	SPRING WASHER		008	008	008	008
095E	0501010087	1.1/4" NUT		008	008	008	008
096	0521066624	FIXER SUPPORT LANTERN		002	002	002	002
097	0503010408	7/8" SPRING WASHER		004	000	000	000
098	0503010812	7/8" UNF SELF LOCKING NUT		004	000	000	000
099	0503011082	C1/2" X 1.3/4" SCREW		000	004	004	004
100	0503010019	1/2" SPRING WASHER		000	004	004	004
101	0503010060	1/2 UNC G.5 ZN HEX NUT		000	004	004	004
102	0521011720	2.0" X 15.7" COUPLING SHAFT		004	004	004	004
103	0511019776	FLAT WASHER		008	008	008	008
104	0503011069	0.4" X 2.8" SPRING PIN		008	008	008	008
105	0541016676	1.1/2 X 175 AXLE		004	004	004	004
106	0503013662	1/2" X 1" BOLT		004	004	004	004
107	0561014252	3/4" UNF X 1" NIPPLE WITH REDUCTION		002	000	000	000
108	0503010014	3/4" HEX NUT		000	002	002	002
108.	0503012183	SNC 3/4" ZIN 1K03097 NUT		002	000	000	000
109	0521065965	FIXER CLAW		000	002	002	002
110	0503011173	7/16" X 2" BOLT		002	002	002	002
111	0501012803	FLAT WASHER		002	002	002	002
112	0503011198	C3/4" X 6" SCREW		002	000	000	000



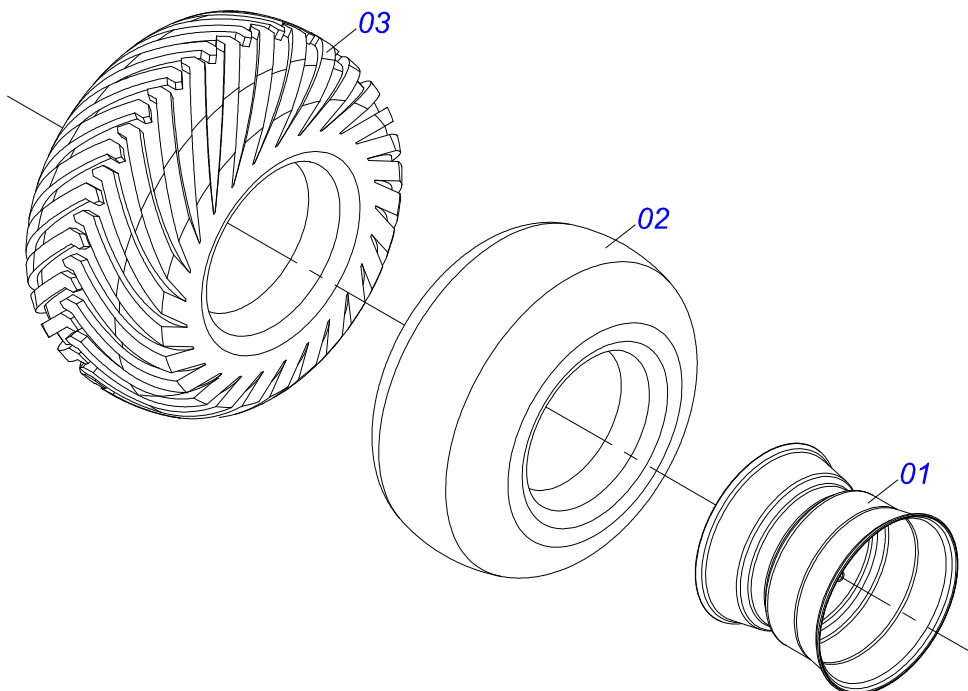
Item	Code	Description	See page	QT
01	0521068249	TRACTION BAR (AXLE 2)		01
02	0502040558	2" CASTLE NUT		02
03	0503010074	3/8" X 4" SPLIT PIN		02
04	0521068246	UPPER PLATE (AXLE 2)		01
05	0521068247	LOWER PLATE (AXLE 2)		01
06	0521068248	JUNCTION AXLE WITH LOCK		01
07	0501811301	CASTLE NUT		05
08	0503010010	1/4" X 2.1/2" SPLIT PIN		05
09	0521811880	37,50 X 230 X PQ R.1/2 JUNCTION AXLE		05
10	0502040263	ANEL TRAVA ENGATE		01
11	1902040897	TRACTOR HITCH		01
12	0561017306	COUPLING SHAFT		01
13	0503010523	1/4" X 2" SPLIT PIN		01
14	0503031741	1.8" X 11.4" 0.3" TRACTION SPRING		01
15	0531061607	SPRING REGULATOR		01
16	0591014558	SPRING REGULATOR FIXER AXLE		01
17	0503030285	HITCH PIN CLIP		01
18	0531061122	AXIS ARTICULATOR		01
19	0531040171	ASSY HITCH	4	01
20	0503010589	1/2" UNC SELF ADJUSTING NUT		01
21	0501010937	13,50 X 28 X 3,00 FLAT WASHER		01
22	0591014554	REAR EAR FIXING SPRING		01
23	0591014552	SLEEVE		01
24	0503010740	BOLT 1/2 UNC X 2 CS G.5 ZN		01
25	0591013086	SLEEVE		01



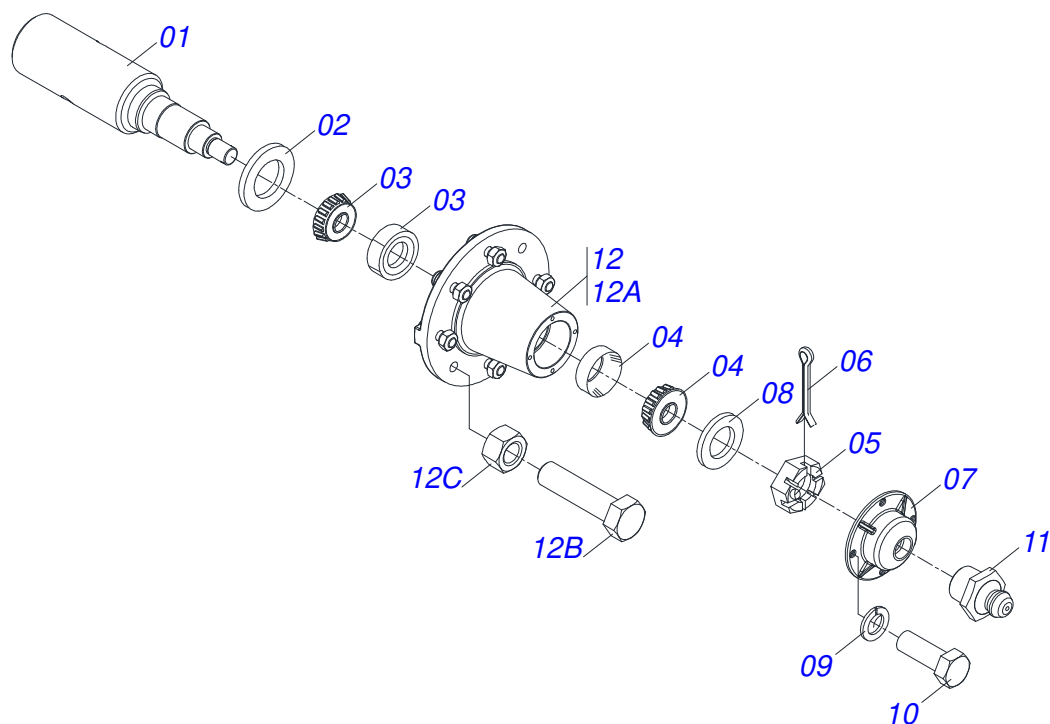
Item	Code	Description	See page	QT
01	0511064669	DRAWBAR ASSY		01
02	0511067825	UPPER PLATE		01
03	0511067826	LOWER PLATE		01
04	0521011880	37,5 X 242 COUPLING SHAFT		05
05	0501011301	1.1/2 UNC 6FPP 2.5/16 NUT		05
06	0503010010	1/4" X 2.1/2" SPLIT PIN		05
07	0591013086	SLEEVE		01
08	0502040263	ANEL TRAVA ENGATE		01
09	0561017306	COUPLING SHAFT		01
10	0503010523	1/4" X 2" SPLIT PIN		01
11	1902040897	TRACTOR HITCH		01
12	0503031741	1.8" X 11.4" 0.3" TRACTION SPRING		01
13	0531061607	SPRING REGULATOR		01
14	0502040558	2" CASTLE NUT		01
15	0531061122	AXIS ARTICULATOR		01
16	0531040171	ASSY HITCH	4	01
17	0503010589	1/2" UNC SELF ADJUSTING NUT		01
18	0501010937	13,50 X 28 X 3,00 FLAT WASHER		01
19	0591014554	REAR EAR FIXING SPRING		01
20	0503010740	BOLT 1/2 UNC X 2 CS G.5 ZN		01
21	0503010074	3/8" X 4" SPLIT PIN		01
22	0591014558	SPRING REGULATOR FIXER AXLE		01
23	0591014552	SLEEVE		01
24	0503030285	HITCH PIN CLIP		01



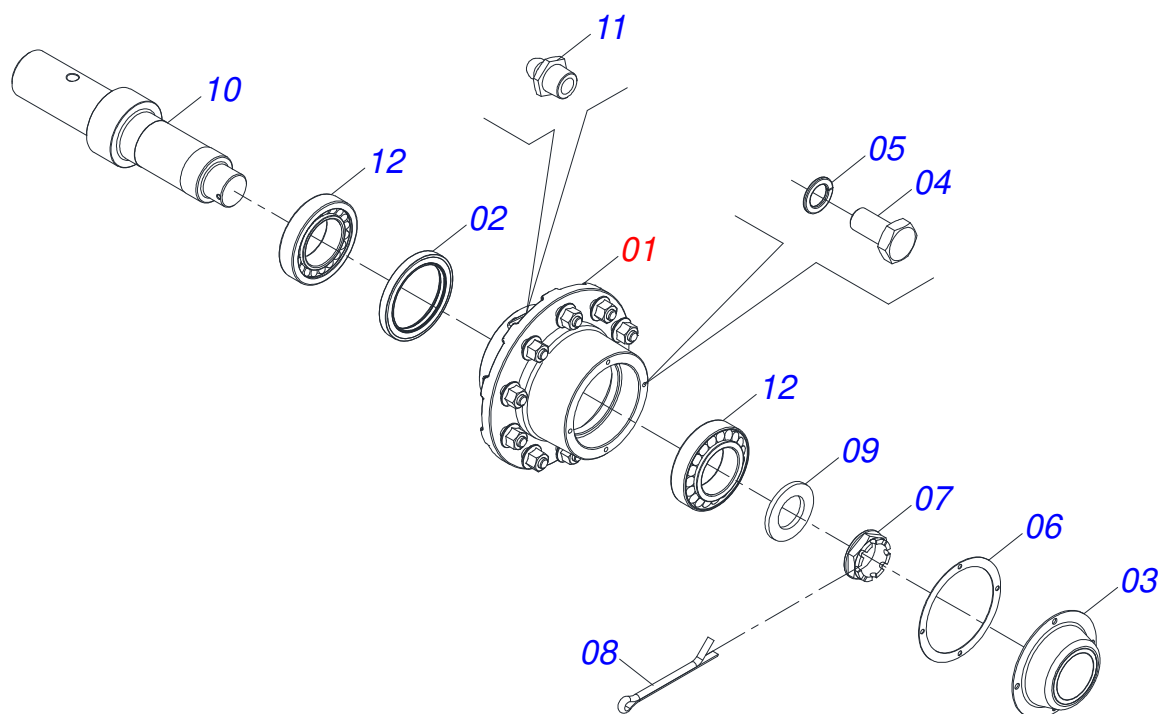
Item	Code	Description	See page	QT
01	0503010002	1800 GREASE FITTING		01
02	0531061121	HITCH		01
03	0503018829	NYLON CLAMP		01
04	0503010589	1/2" UNC SELF ADJUSTING NUT		01
05	0501010937	13,50 X 28 X 3,00 FLAT WASHER		01
06	0591014555	FRONT EAR FIXING SPRING		01
07	0503010740	BOLT 1/2 UNC X 2 CS G.5 ZN		01
08	0591013448	SLEEVE		01



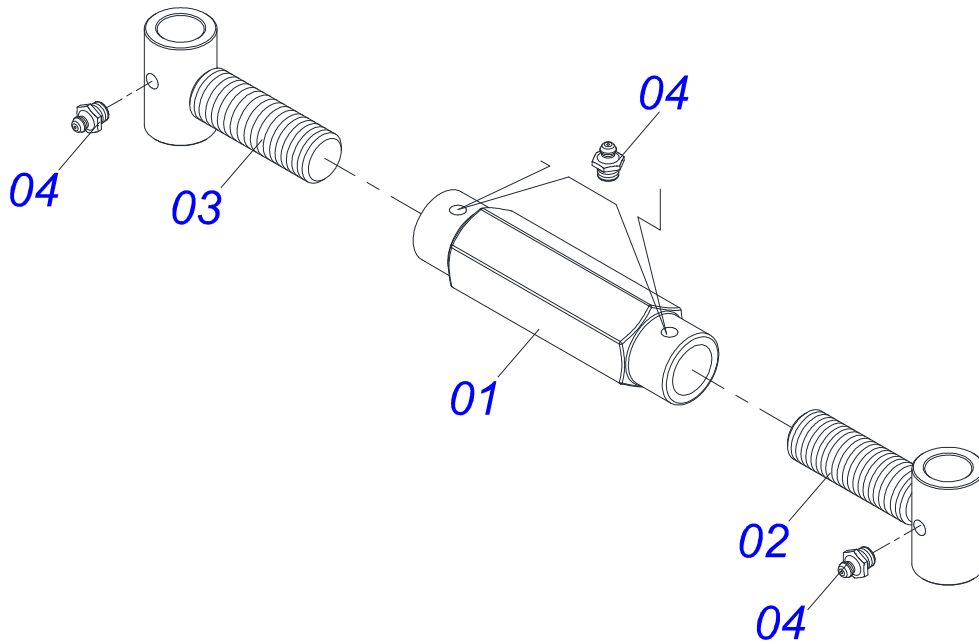
Item	Code	Description	See page	QT
01	0501069483	WHEEL		01
02	0503012112	400/60 - 15.5 TR 15 INNER TIRE		01
03	0503013119	CANVAS TIRE		01



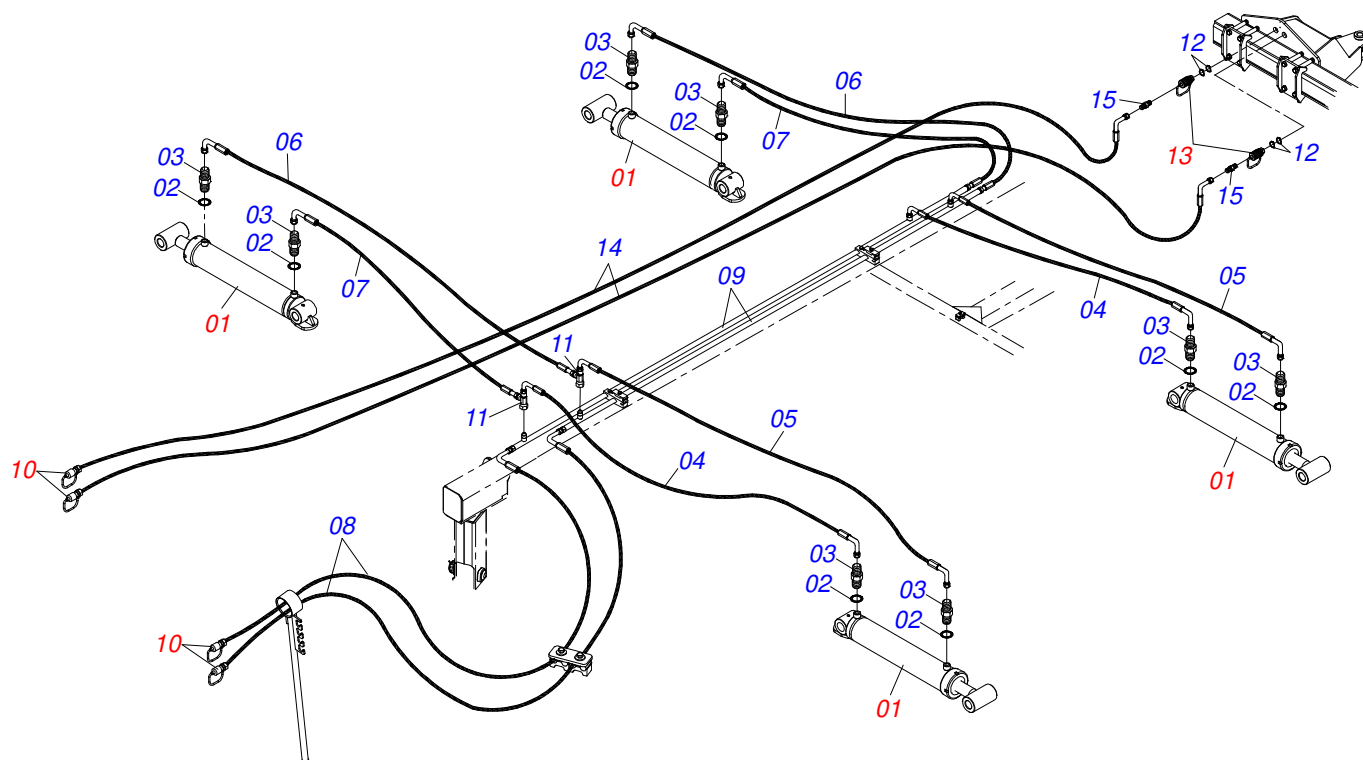
Item	Code	Description	See page	QT
01	0541016566	POINT AXIS 3.1/2 X 375		01
02	0503013314	RETAINER 5166-GB 63,5 X 110 X 13 ARCA		01
03	0503015290	3780/3720 ROLLER BEARING		01
04	0503014821	ROLLER BEARING		01
05	0503830009	1" X 0.9" CASTLE NUT		01
06	0503010018	5/32" X 1-1/2" SPLIT PIN		01
07	0502020591	PROTECCION COVER		01
08	0511812492	FLAT WASHER		01
09	0503011444	SPRING WASHER		04
10	0503810358	5/16" X 7/8" UNC BOLT		04
11	0503010002	1800 GREASE FITTING		01
12	0501110738	CARRYING WHEEL HUB		01
12A	0502012260	TRANSPORT WHEEL BOX		01
12B	0501010186	WHEEL SCREW 5/8UNF X 2.1/8CR		08
12C	0503010064	5/8 UNF CONIC NUT		08



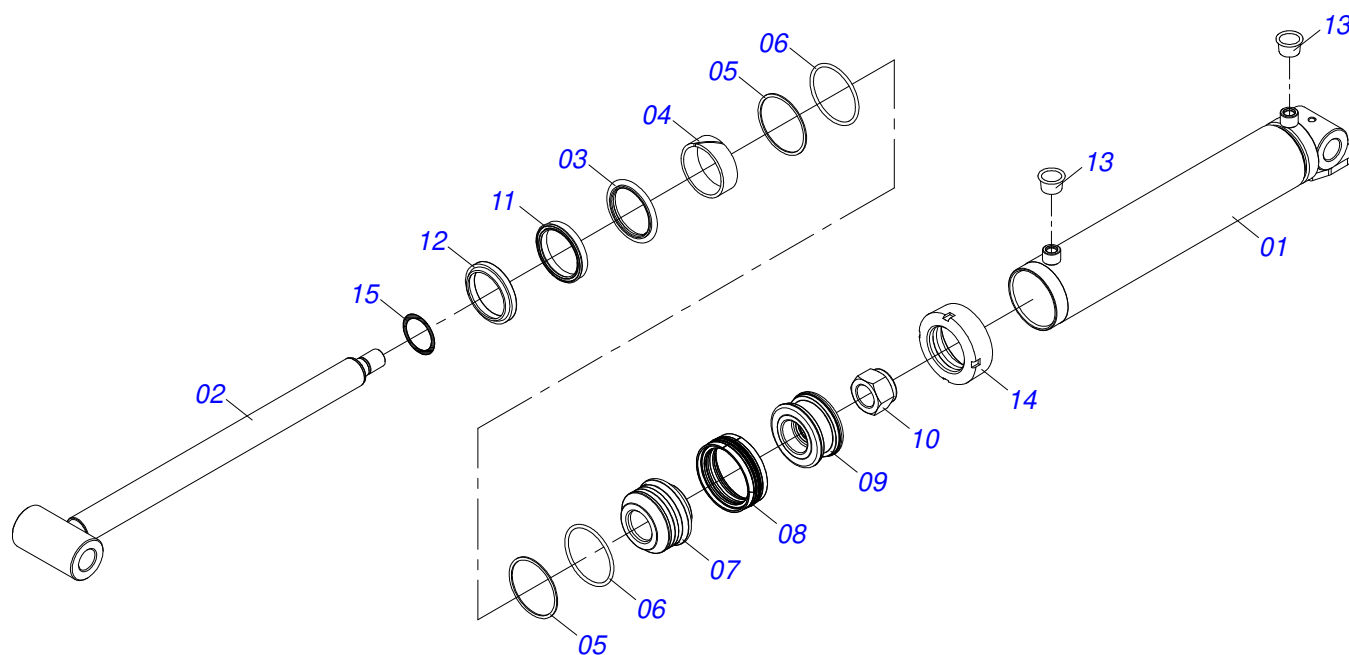
Item	Code	Description	See page	QT
01	0501111042	WHEEL CASE WITH SCREW		01
02	0503013541	RETAINER		01
03	0503013549	HUB COVER		01
04	0503013546	BOLT SX MA5,8 M10X1,5X20ZA DI		04
05	0503013542	M10 SPRING WASHER		04
06	0503013548	JOINT CORK		01
07	0502040080	FLANGE NUT R.2.1/2 UN		01
08	0503012213	1/4" X 4" SPLIT PIN		01
09	0531019986	64 X 110 X 9.5 FLAT WASHER		01
10	0551011426	POINT AXIS R2.1/2UN		01
11	0503010002	1800 GREASE FITTING		01
12	0503013243	32218 ROLLER BEARING		02



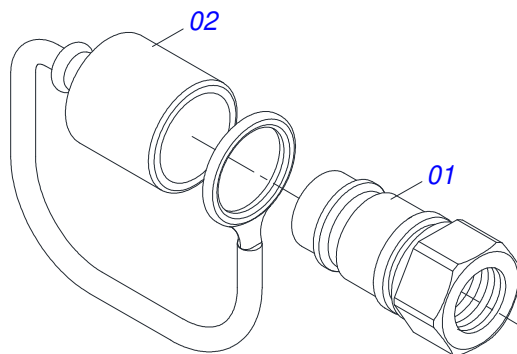
Item	Code	Description	See page	QT
01	0502011469	245 ADJUSTMENT NUT		01
02	0501069416	JACKET		01
03	0501069417	JACK CRANK		01
04	0503010002	1800 GREASE FITTING		04



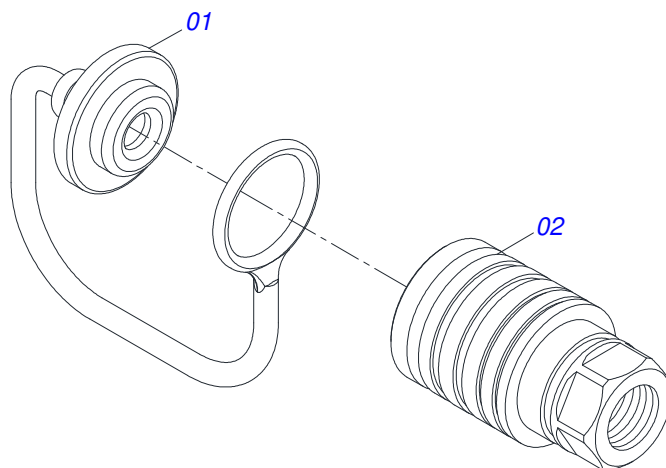
Item	Code	Description	See page	QT
01	0511057940	HYDRAULIC CILINDER	10	04
02	0503010190	2-114 N 3006-9B O'RING		08
03	0501010617	3/4" NIPPLE		08
04	0501080749	3/8" X 141" TC-TC HOSE		02
05	0501080751	3/8" X 4200 TC-TC HOSE		02
06	0501080412	3/8" X 90.55" TR-TC HOSE		02
07	0501080461	3/8" X 70" TR-TC HOSE		02
08	0501080850	3/8" X 240" TC-TM HOSE		02
09	0521066126	DISTRIBUTOR OIL TUBE		02
10	0501053834	MALE QUICK COUPLER	11	04
11	0503011968	3/4" 8R6X-S T ADAPTER WITH SWIVEL NUT		04
12	0503010217	501040 CLAMPING RING (FOR AXLE)		04
13	0501053835	FEMALE QUICK COUPLER	12	02
14	0501081322	3/8" X 11500 TC-TM HOSE		02
15	0571015342	3/4" NIPPLE		02



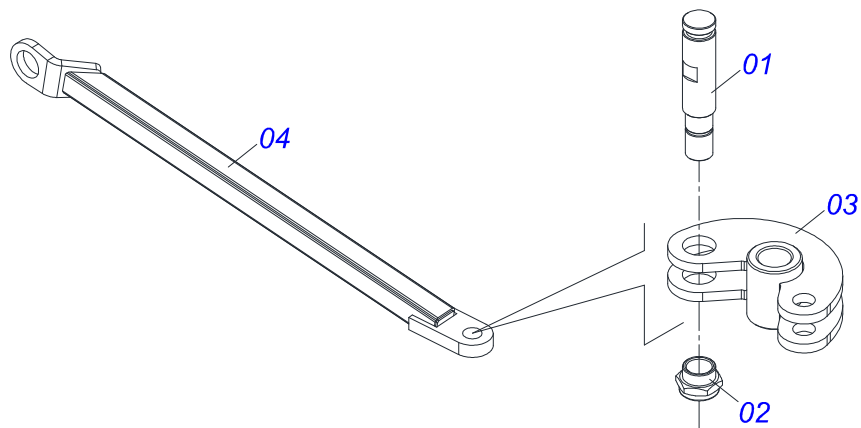
Item	Code	Description	See page	QT
01	0521066447	101,60 X 654,50 X 38,40 CYLINDER CASE		01
02	0521061439	50,80 X 751,50 X 38,40 TURNBUCKLE		01
03	0503018024	RING BS		01
04	0503018025	RING GUIDE		01
05	0503011061	8-342 BACK-UP RING		02
06	0503010338	2-342 N 3006-9B O'RING		02
07	0502012821	50.80 X 101.60 RING SUPPORT		01
08	0503015633	SELEMASTER SEALING		01
09	0502012820	50,80 X 101,60 PISTON		01
10	0503010817	1.1/4" SELF LOCKING NUT		01
11	0503018026	1870-2000-375 B GASKET		01
12	0503010039	D-2000 SCRAPER RING		01
13	0503030384	CON PLUG N-001		02
14	0502010017	4" LID		01
15	0503018029	2-217 O'RING		01
16	0511034303	HYDRAULIC CYLINDER REPAIR KIT (0511057940)		01



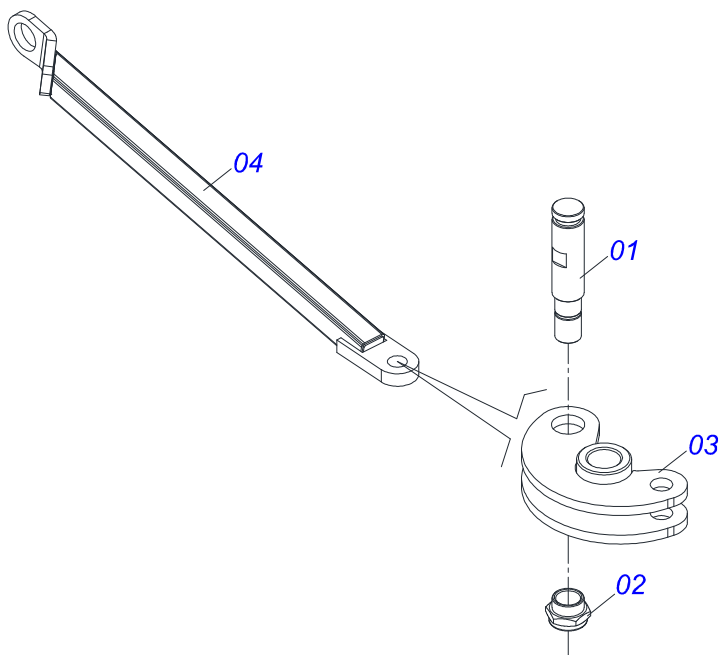
Item	Code	Description	See page	QT
01	0503011627	MALE QUICK COUPLER AGR 1/2 NPT		01
02	0503011882	MALE QUICK COUPLER CAP		01



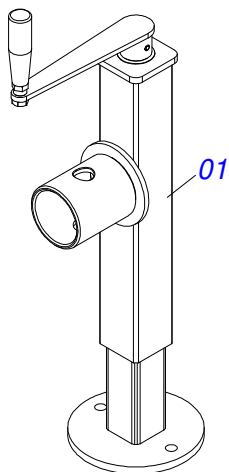
Item	Code	Description	See page	QT
01	0503011883	QUICK CONNECTION COVER		01
02	0503011628	FEMALE QUICK COUPLER		01



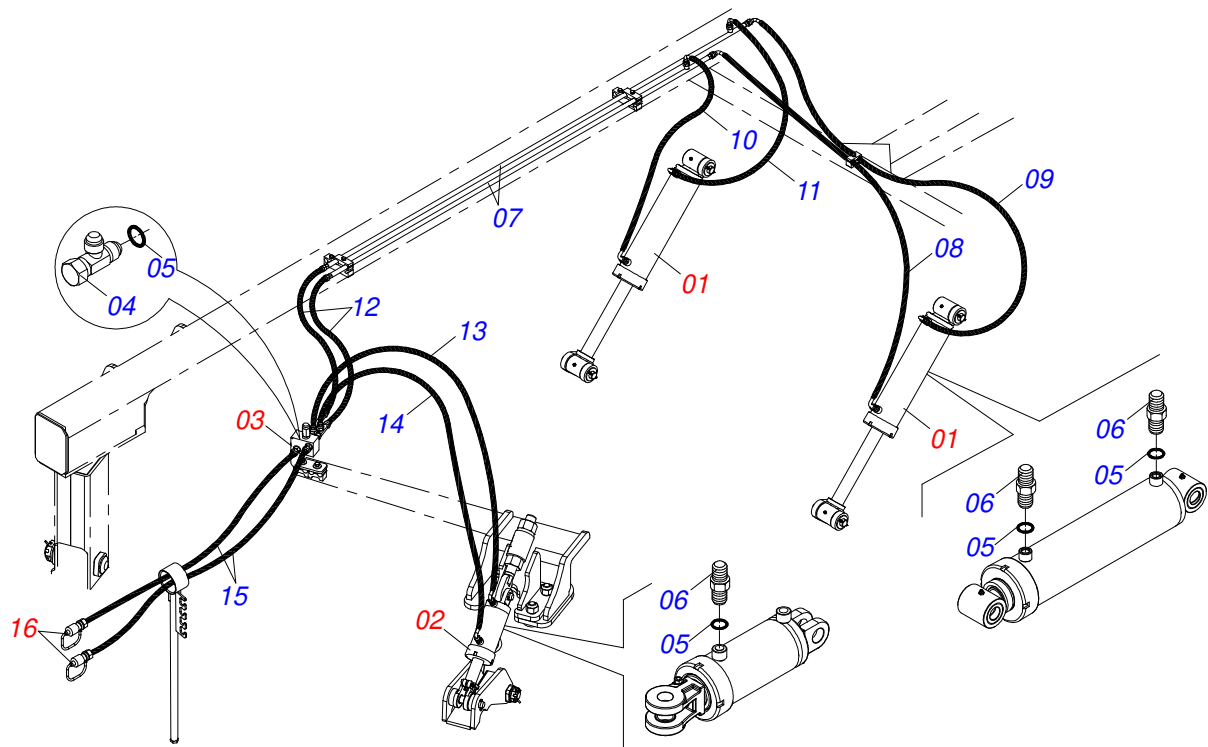
Item	Code	Description	See page	QT
001	0541016749	LOCK AXLE PIVOT		01
002	0541019258	1.1/4 ADJUSTING NUT		01
003	0511066497	LOCK PIVOT		01
004	0511067209	FRONT DRIVER ARM		01



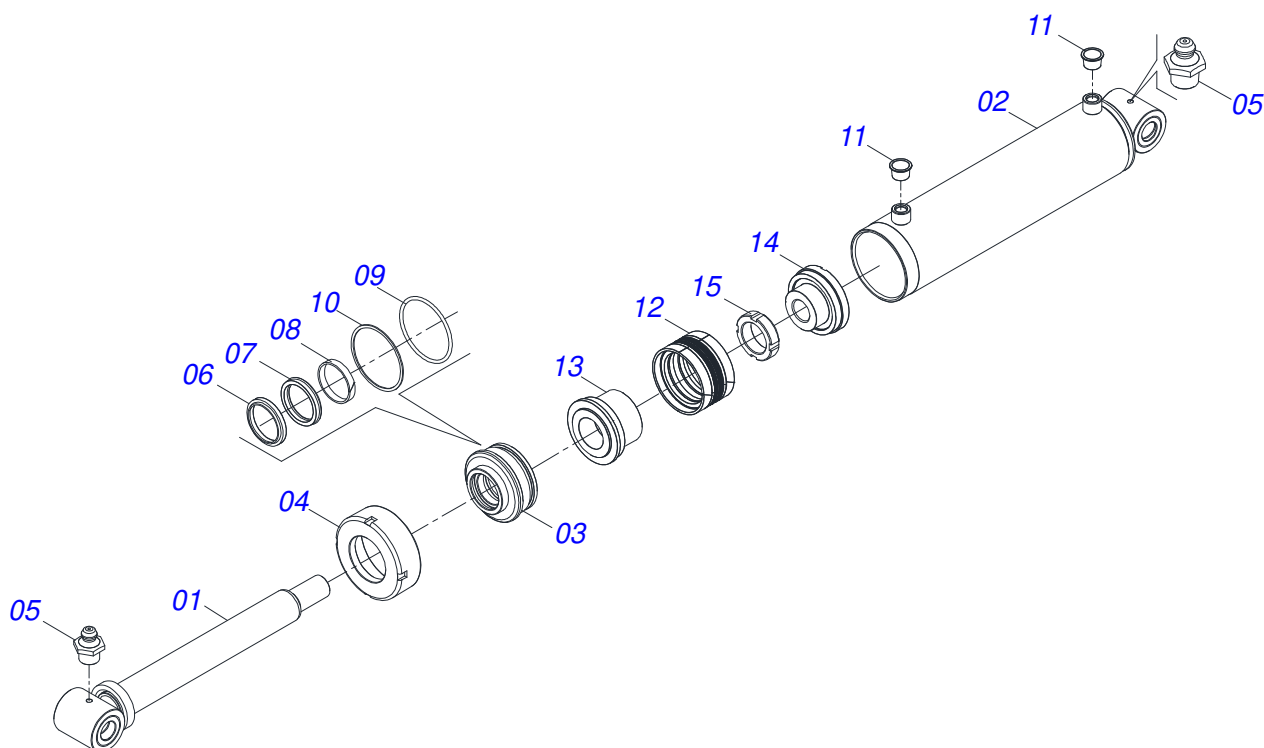
Item	Code	Description	See page	QT
001	0541016749	LOCK AXLE PIVOT		01
002	0541019258	1.1/4 ADJUSTING NUT		01
003	0511066497	LOCK PIVOT		01
004	0511067210	DRIVER ARM		01



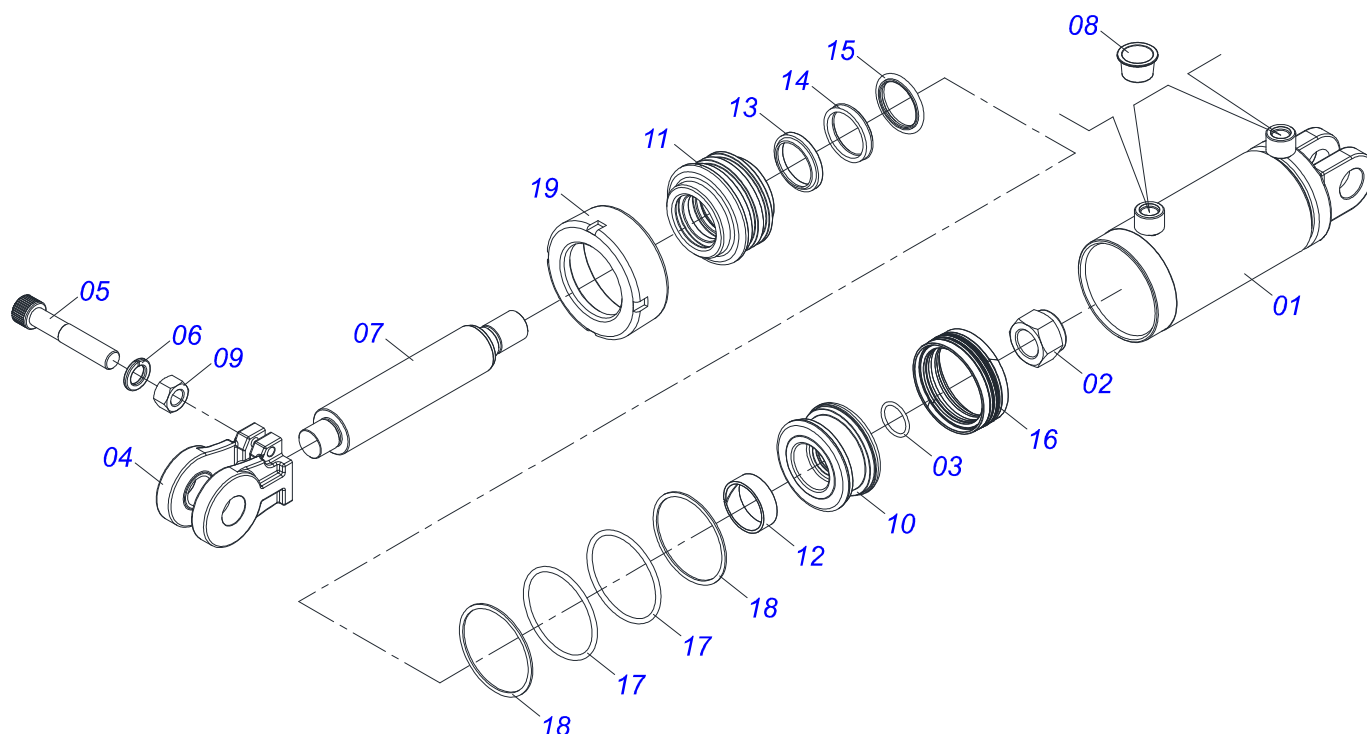
Item	Code	Description	See page	QT
01	0503062227	DRAWBAR JACK		01



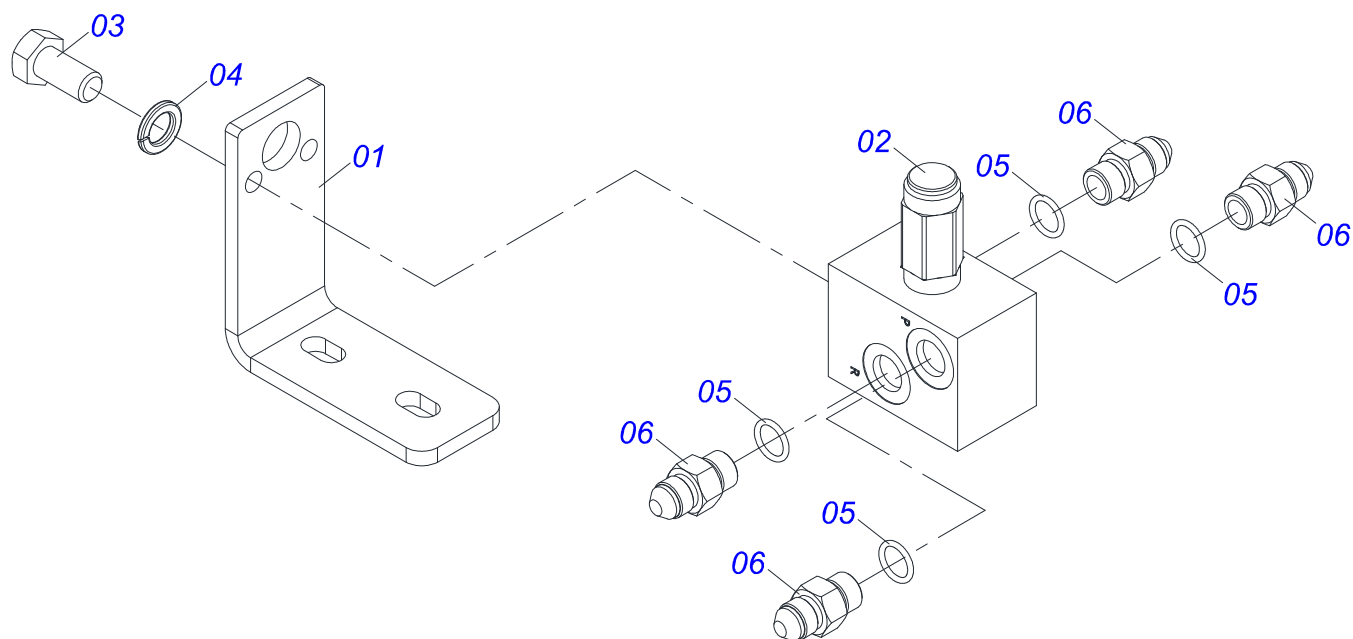
Item	Code	Description	See page	QT
01	0521051832	HYDRAULIC CYLINDER 53,98 X 114,30 X 654 X 346	17	02
02	0521046001	50,80 X 101,60 X 410 X 107 HYDRAULIC CILINDER	18	01
03	0511059196	ASSY VALVE	19	01
04	0503011968	3/4" 8R6X-S T ADAPTER WITH SWIVEL NUT		02
05	0503010190	2-114 N 3006-9B O'RING		08
06	0501010617	3/4" NIPPLE		06
07	0521066937	OIL DISTRIBUTOR DUCT		02
08	0501080370	TC-TC HOSE ASSY		01
09	0501080644	3/8" X 78.7" TC-TC HOSE ASSY		01
10	0501080065	3/8" X 47" TC-TC HOSE		01
11	0501082058	HOSE 3/8 X 800 TC-TC		01
12	0501080106	3/8" X 31" TR-TR HOSE		02
13	0501080302	3/8" X 55" TR-TC HOSE		01
14	0501080436	3/8" X 62" TR-TC HOSE		01
15	0501080205	3/8" X 216" TR-TM HOSE		02
16	0501053834	MALE QUICK COUPLER	11	02



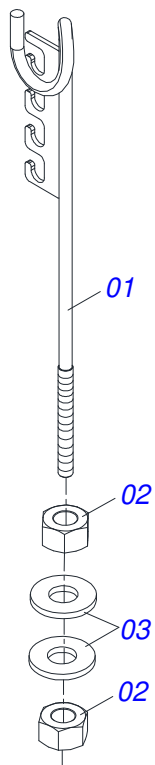
Item	Code	Description	See page	QT
01	0521061684	56,98 X 590,50 TURNBUCKLE		01
02	0521061685	114,30 X 500 CYLINDER CASE		01
03	0502012644	RING SUPPORT		01
04	0502011222	0.56" END CAP		01
05	0503010002	1800 GREASE FITTING		02
06	0503015715	SCRAPER SEALING		01
07	0503015642	U-CUP SEALING		01
08	0503015641	WEAR RING		00
09	0503011892	O' RING, 2-346 N 3006-9B		01
10	0503011893	BACK-UP RING, 8-346		01
11	0503030384	CON PLUG N-001		02
12	0503015640	SEALING SELEMASTER		01
13	0561016578	PISTON BODY		01
14	0581015283	BODY		01
15	0503819100	SCREW		01
16	0511034304	HYDRAULIC CYLINDER REPAIR KIT (0521051832)		01



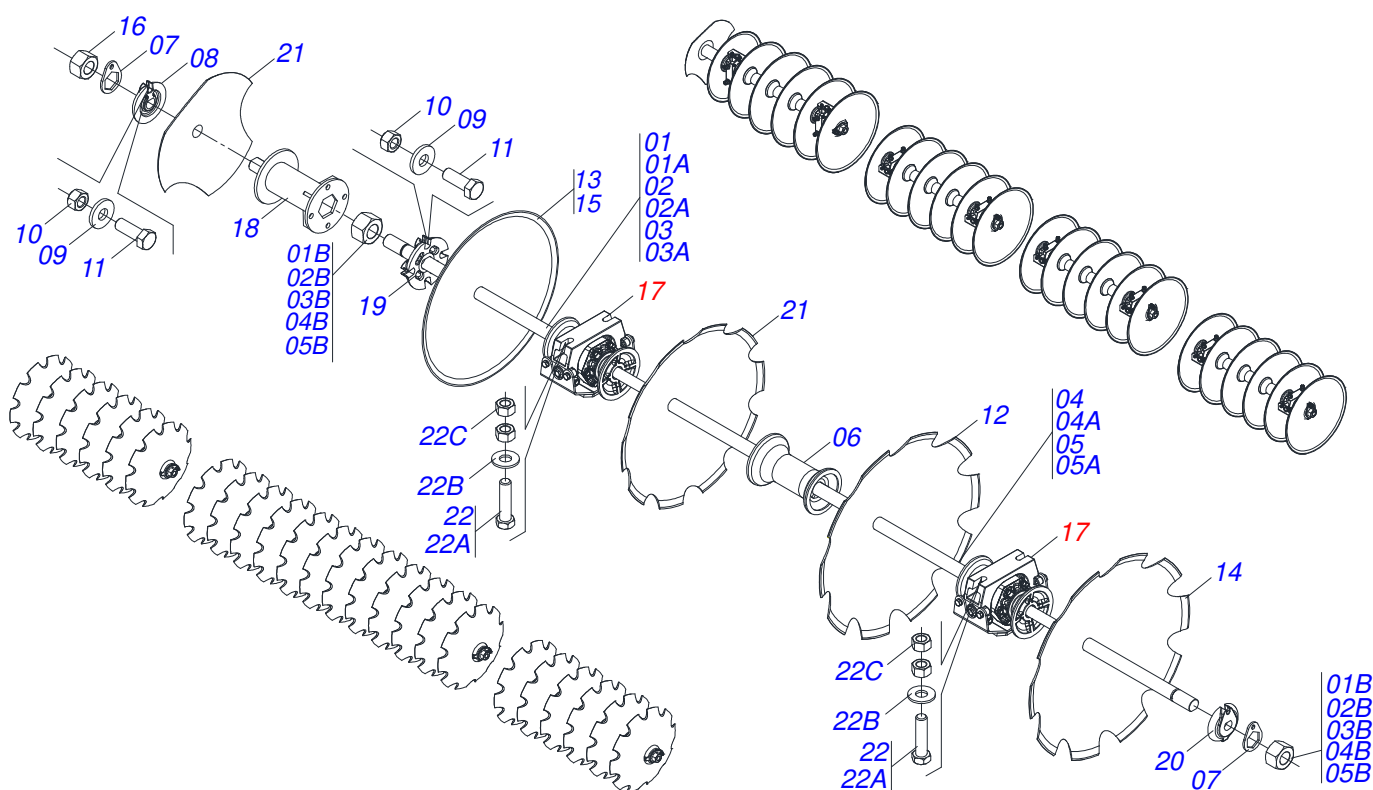
Item	Code	Description	See page	QT
01	0521066575	101,60 X 298 CYLINDER CASE		01
02	0503010817	1.1/4" SELF LOCKING NUT		01
03	0503018029	2-217 O'RING		01
04	0502040747	32.54 CLEVIS CLAMP		01
05	0503011094	3/8" X 2" BOLT		01
06	0503011443	3/8" SPRING WASHER		01
07	0581010749	50,80 X 294 TURNBUCKLE		01
08	0503030384	CON PLUG N-001		02
09	0503010026	3/8" NUT		01
10	0502012820	50,80 X 101,60 PISTON		01
11	0502012821	50.80 X 101.60 RING SUPPORT		01
12	0503018025	RING GUIDE		01
13	0503010039	D-2000 SCRAPER RING		01
14	0503018026	1870-2000-375 B GASKET		01
15	0503018024	RING BS		01
16	0503015633	SELEMASTER SEALING		01
17	0503010338	2-342 N 3006-9B O'RING		02
18	0503011061	8-342 BACK-UP RING		02
19	0502012822	101.60 END CAP		01



Item	Code	Description	See page	QT
01	0581011745	VALVE SUPPORT		01
02	0503010919	DISCHARGE VALVE		01
03	0503011334	BOLT 3/8 UNC X 3/4 CS G.5 ZN		02
04	0503010025	3/8 SPRING WASHER		02
05	0503010190	2-114 N 3006-9B O'RING		04
06	0501010617	3/4" NIPPLE		04



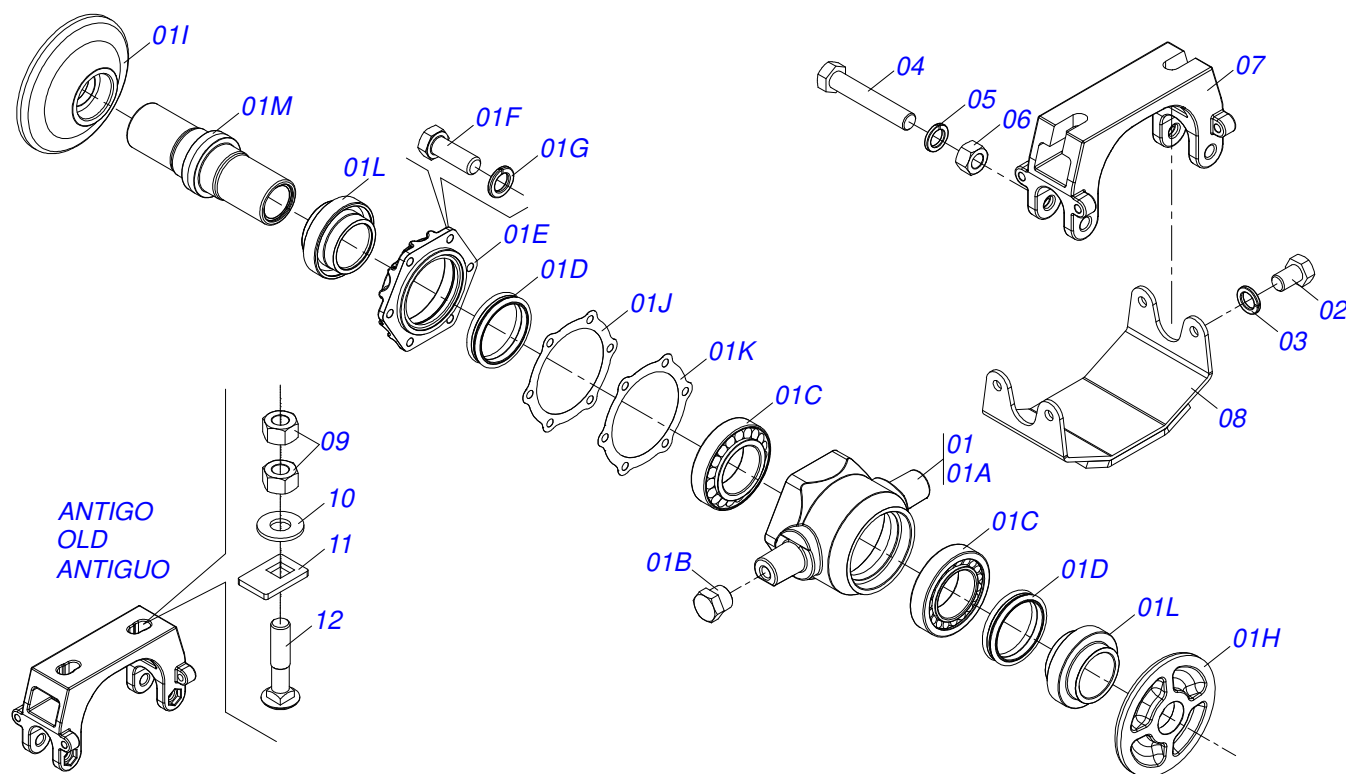
Item	Code	Description	See page	QT
01	0511067334	HOSE SUPPORT		01
02	0503010014	3/4" HEX NUT		02
03	0501010322	FLAT WASHER		02



Item	Code	Description	See page	044	052	056	060
01	0501046856	1-5/8" X 59" AXLE WITH NUTS 2-3/4		000	004	000	000
01A	0501019012	1-5/8" X 59" AXLE		000	004	000	000
01B	0502840640	1.5/8" 2.3/4" NUT		000	008	000	000
02	0501046859	1-5/8" X 70" AXLE WITH NUTS 2-3/4"		000	000	004	000
02A	0501015631	1-5/8" X 70" AXLE		000	000	004	000
02B	0502040640	1.5/8" 2.3/4" NUT		000	000	008	000
03	0501046861	1-5/8" X 80" AXLE WITH NUTS 2-3/4"		000	000	000	004
03A	0501019015	1-5/8 X 80" AXLE		000	000	000	004
03B	0502040640	1.5/8" 2.3/4" NUT		000	000	000	008
04	0501046854	1-5/8" X 48" AXLE WITH NUTS 2-3/4		004	000	000	000
04A	0501019016	1-5/8 X 48" AXLE		004	000	000	000
04B	0502040640	1.5/8" 2.3/4" NUT		008	000	000	000
05	0501046856	1-5/8" X 59" AXLE WITH NUTS 2-3/4		004	000	000	000
05A	0501019012	1-5/8" X 59" AXLE		004	000	000	000
05B	0502040640	1.5/8" 2.3/4" NUT		008	000	000	000
06	0502010703	10.35" 1-5/8" SPACER		020	028	032	005
07	0511014339	1-5/8" 2.8" NUT LOCK		016	016	016	016
08	0502011048	1-5/8" EXTERNAL AXLE WASHER		008	008	008	008
09	0501012140	FLAT WASHER		008	008	008	008
10	0503012412	5/8" UNC SELF LOCKING NUT		008	008	008	008
11	0503010232	5/8" X 1.3/4" BOLT		008	008	008	008
12	0602040155	30 X 7,5 NOTCHED DISC BLADE		022	026	028	030
12.	0602037006	DR28X7,5 C102AF04FR1.11/16 10R TATU		022	026	028	030
13	0601042074	DL30X7,5 C105AF02FR1.11/16 TATU		020	024	026	028
13.	0601039833	DL28X7,5 C102AF02FR1.11/16 TATU		022	026	028	030
13..	0601039053	28"X 0.3" PLAIN DISC BLADE		022	026	028	030
14	0602033067	26" X 7.5 NOTCHED DISC BLADE		001	001	001	001
14.	0602030236	24" X 7,5 NOTCHED DISC BLADE		001	001	001	001
15	0601033005	26" X 0.2" PLAIN DISC BLADE		001	001	001	001
15.	0601033215	26"X 0.2" PLAIN DISC BLADE		001	001	001	001
15..	0601030005	24" X 0.2" PLAIN DISC BLADE		001	001	001	001



Item	Code	Description	See page	044	052	056	060
16	0502840640	1.5/8" 2.3/4" NUT		001	001	001	001
17	0511048366	OSCILLATING BEARING ASSY	22	016	016	016	016
18	0511067146	10.35" AXLE 1-5/8" SPACER		001	001	001	001
19	0502012377	1-5/8" EXTERNAL AXLE LOK		001	001	001	001
20	0502011047	1-5/8" INNER AXLE WASHER		008	008	008	008
21	0602029360	DR22X6 C69AF02FR1.11/16 03REC TATU		001	001	001	001
21.	0602030445	24 X 6 NOTCHED DISC BLADE		001	001	001	001
21..	0602030444	DR24X7,5 C66AF02FR1.11/16 3RECTATU		001	001	001	001
22	0521047424	SCREW ASSY		032	032	032	032
22A	0501010500	3/4" X 3" BOLT		032	032	032	032
22B	0501010322	FLAT WASHER		032	032	032	032
22C	0503012183	SNC 3/4" ZIN 1K03097 NUT		064	064	064	064



Item	Code	Description	See page	QT
01	0501059723	OSCILLATING BEARING		01
01A	0502012343	AGRICULTURAL HOUSING BEARING		01
01B	0503010856	OIL PLUG		02
01C	0503013496	3982/3920 ROLLER BEARING		02
01D	0503030027	DUO-CONE SEAL		02
01E	0502020161	WEAR PLATE BEARING		01
01F	0503010237	3/8" X 1" BOLT		06
01G	0503011443	3/8" SPRING WASHER		06
01H	0502040240	INNER FLANGE		01
01I	0502040239	OUTER FLANGE		01
01J	0503030030	5.6" X 4.4" X 0.01" GASKET		01
01K	0503030685	5.5" X 4.4" X 0.003" GASKET		01
01L	0502010736	SEAL RETAINER		02
01M	0502010740	AXLE TK		01
02	0503011401	1/2" X 3/4" BOLT		04
03	0503010019	1/2" SPRING WASHER		04
04	0503010762	SCREW 5/8 UNC X 3.1/2 CS G.5 ZN		02
05	0503010027	5/8 SPRING WASHER		02
06	0503010013	5/8 NUT		02
07	0502012626	CENTER OSCILLATING BEARING SUPPORT		01
08	0521067341	BEARING SWING COVER WITH ENHANCED		01
09	0503010014	3/4" HEX NUT		04
10	0501010322	FLAT WASHER		02
11	0541014269	3/4 SQUARE WASHER		02
12	0501010950	3/4" X 3-1/2" BOLT		02



MARCHESAN

Technical Publications | Elaboration and Revision

ALESSANDRA PATRICIA KAWAHARA CARRILI

www.marchesan.com.br

