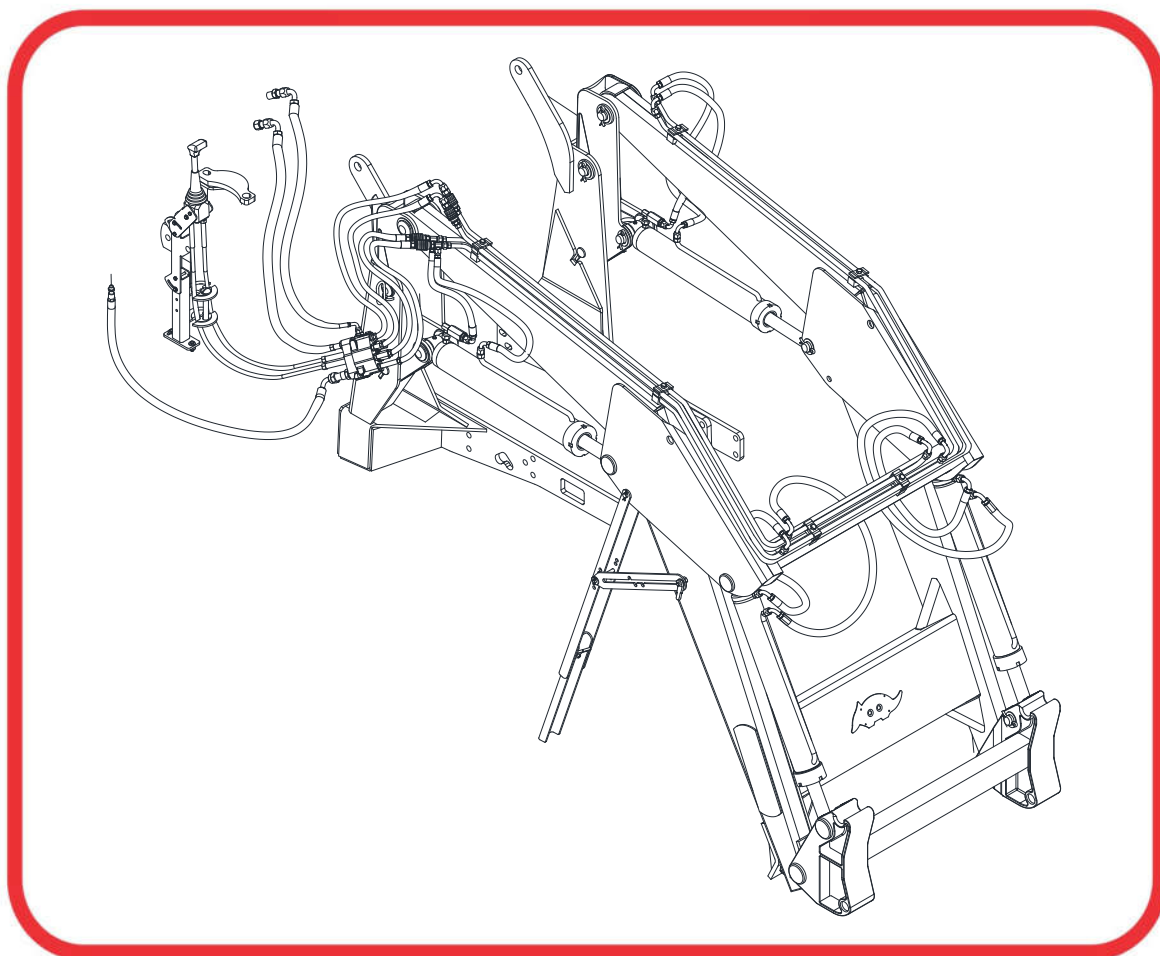


PARTS CATALOG

PCA - AGRICULTURAL FRONT LOADER

PCA800JD6110/25E-J/6415/15C BT
ESP SL

Code: 0501091960



Series: S-0808

Review: AGOSTO/17

ORIGINAL PARTS
TATU



PRODUCTS

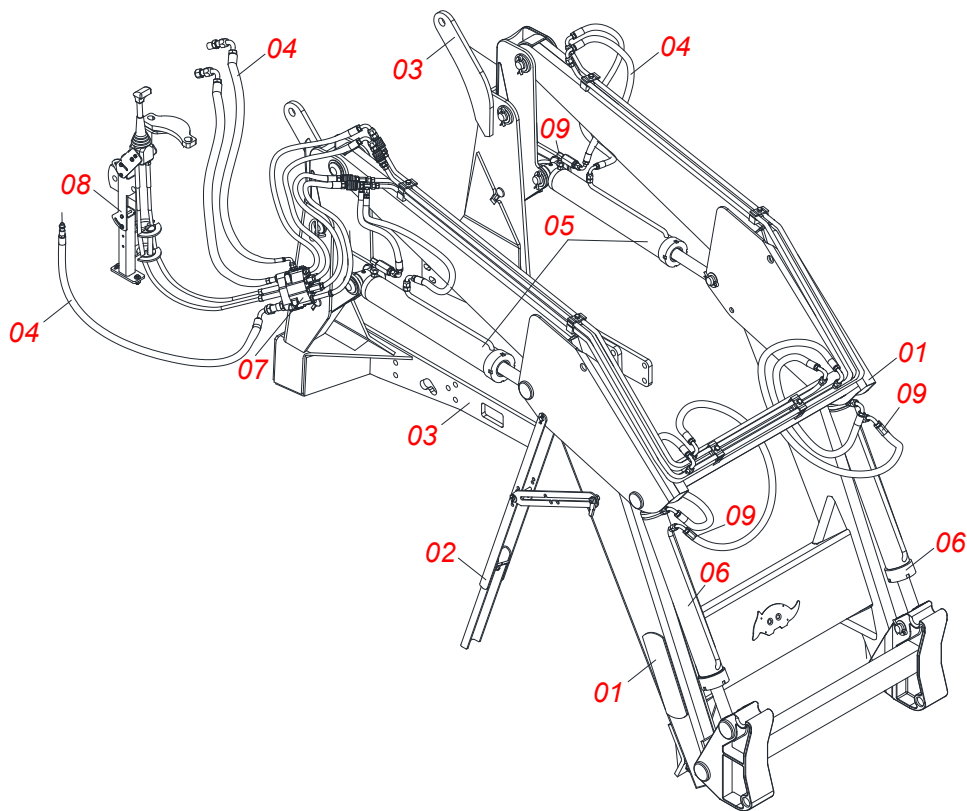
Code	Description
0106111697	PCA 800 JD 6110/25E-J/6415/15C BT ESPEC SL S0808

ATTENTION: **IMPORTANT**

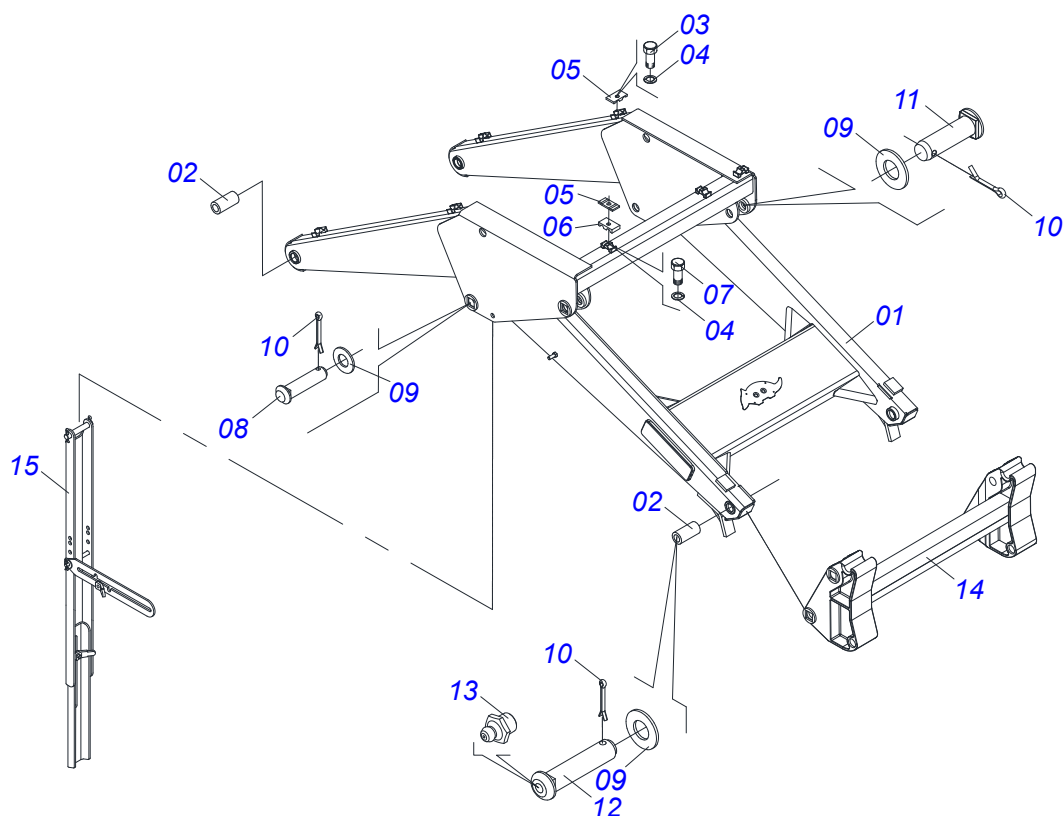
MARCHESAN S/A RESERVES THE RIGHT AT ANY TIME TO MAKE IMPROVEMENTS IN THE DESIGN, MATERIAL OR SPECIFICATIONS OF MACHINERY, EQUIPMENT OR PARTS WITHOUT THEREBY BECOMING LIABLE TO MAKE SIMILAR CHANGES IN MACHINERY, EQUIPMENT OR PARTS PREVIOUSLY SOLD.

INDEX

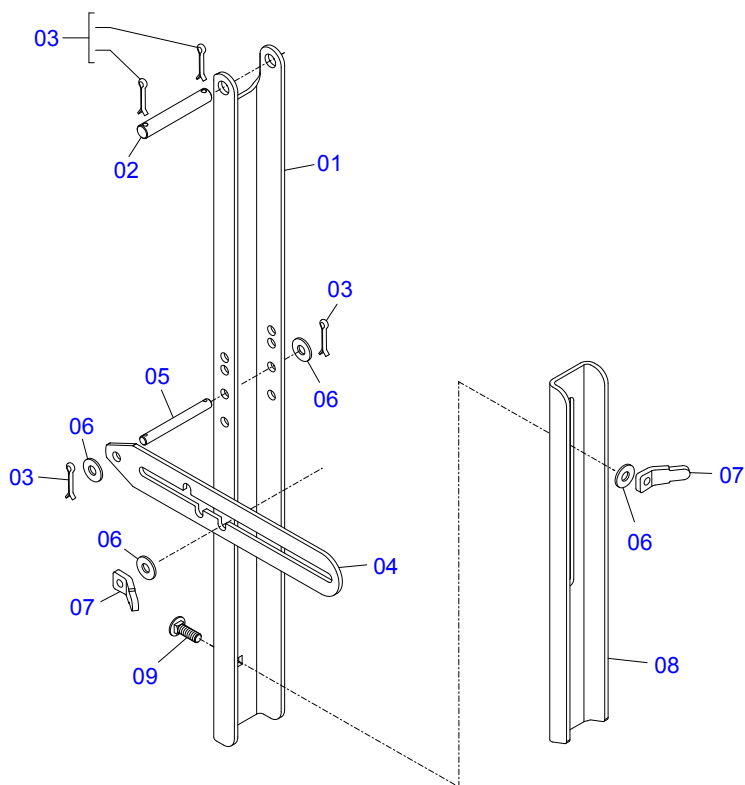
0106111697	PCA 800 JD 6110/25E-J/6415/15C BT ESPEC SL S0808	1
0909092702	MOVEL SUPPORT SET PCA 800	2
0909092667	REST OF THE MOBILE PCA 800 SUPPORT - PCA 800	3
0909092701	CHASSI ASSEMBLY PCA 600	4
0909092689	CIRCUITO HIDR SUP MOVEL PCA 800	5
0511057974	HYDRAULIC CYLINDER	6
0511057973	HIDRAULIC CYLINDER 44,45 X 76,20 X 820 X 551	7
0909092704	COM 1/2 MON COMPL JOY+CAB 1,5MT PCA JD 800	8
0521045393	SET SUPPORT JOY STICK	9
0511057772	SECURITY VALVE SET	10
0501053834	QUICK CONECTION (MALE) 1/2	11
0501053835	FEMALE QUICK COUPLER	12



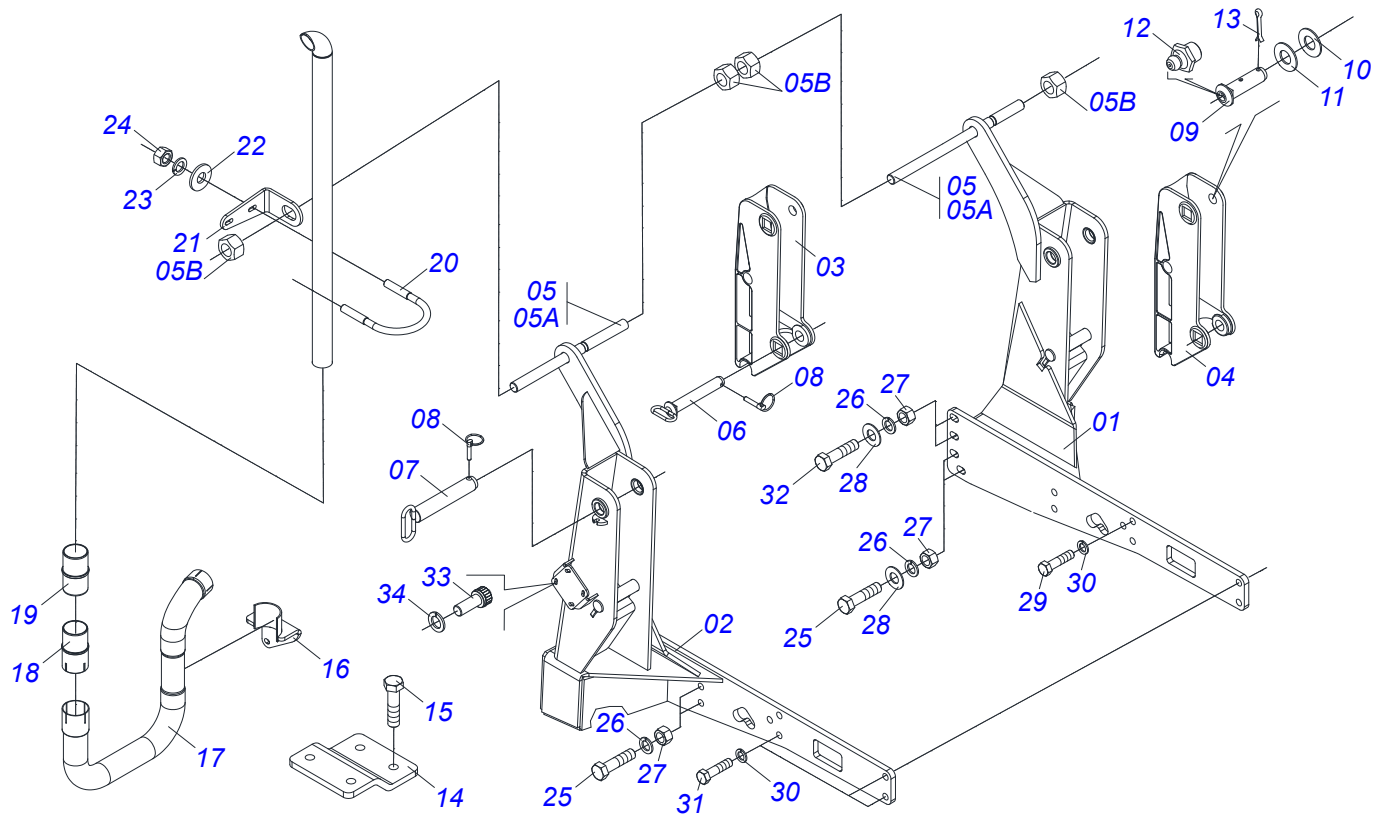
Item	Code	Description	QT
01	0909092702	MOVEL SUPPORT SET PCA 800	01
02	0909092667	REST OF THE MOBILE PCA 800 SUPPORT - PCA	01
03	0909092701	PLACASSI ASSEMBLY PCA 600	01
04	0909092689	CIRCUITO HIDR SUP MOVEL PCA 800	01
05	0511057974	HYDRAULIC CYLINDER	02
06	0511057974	HYDRAULIC CYLINDER	02
07	0909092704	COM 1/2 MON COMPL JOY+CAB 1,5MT PCA JD 800	01
08	0521045393	SET SUPPORT JOY STICK	01
09	0511057772	SECURITY VALVE SET	01



Item	Code	Description	QT
01	0501069453	MOBILE SUPPORT	01
02	0541014740	SLEEVE	08
03	0503011102	PARAFUSO 7/16 UNC X 1.1/4 C S G.5	02
04	0503010180	7/16" SPRING WASHER	02
05	0531011180	UPPER BODY CLIP	06
06	0502010477	UPPER CLIP	04
07	0503012555	7/16" X 2" BOLT	04
08	0521012868	1.4" X 5" PIVOT SHAFT	02
09	0511019685	FLAT WASHER	06
10	0503010534	3/8 X 2-1/2 COTTERPIN	06
11	0521012869	COUPLING SHAFT	02
12	0521012870	1.46" X 6.18" PIVOT SHAFT	02
13	0503010002	1800 GREASE FITTING	02
14	0501069146	JOINT SUPPORT PCA 800	01
15	0909092667	REST OF THE MOBILE PCA 800 SUPPORT - PCA 800	02



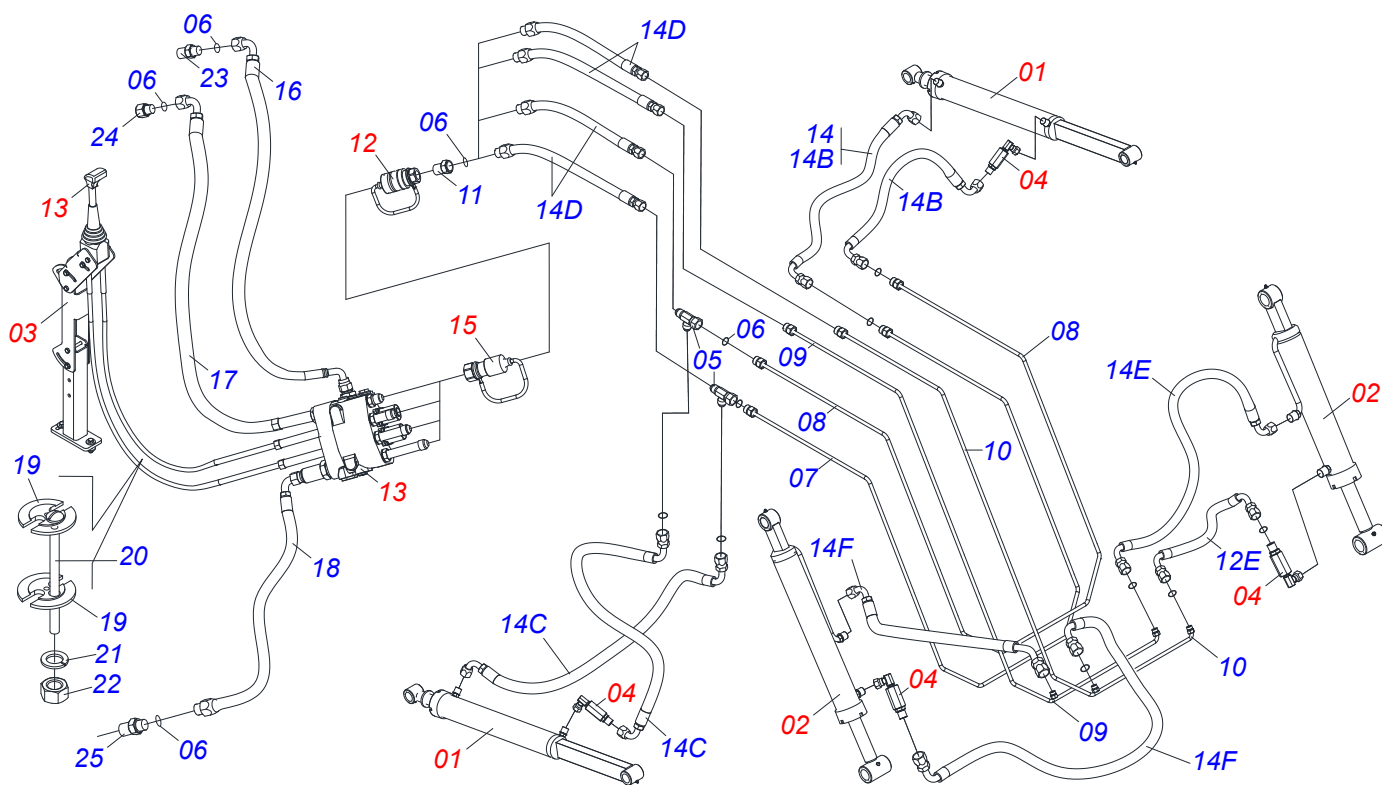
Item	Code	Description	QT
01	0561016401	PLOUGH SUPPORT BODY	02
02	0511013598	3/4" X 4.7" COUPLING SHAFT	02
03	0503010071	3/16" X 1" COTTERPIN	08
04	0511019634	CONTROL LOCK	02
05	0521012823	COUPLING SHAFT	02
06	0511017302	FLAT WASHER	08
07	0561016329	LATCH HOLDER REST PCA	04
08	0561016619	COMPLEMENTON REST	02
09	0503014378	1/2" X 1-1/2" BOLT	02



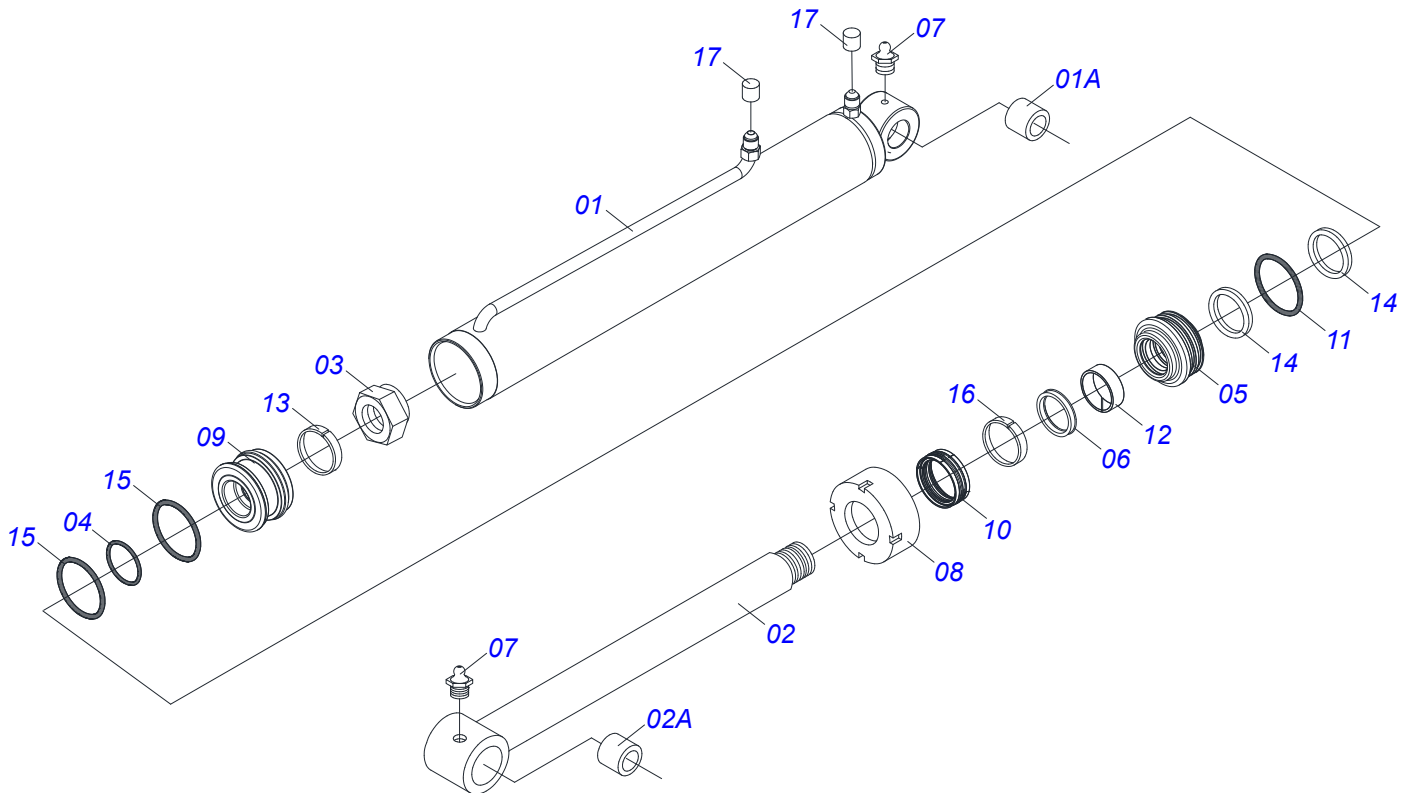
Item	Code	Description	QT
01	0511067173	LEFT FRAME	01
02	0511067172	RIGHT FRAME	01
03	0502012472	MOBILE TOWER	01
04	0502012473	LEFT MOBILE TOWER	01
05	0501042819	1.1/4"NC X 33.46" ROD	01
05A	0501018845	1.1/4" X 33.46" ROD	01
05B	0501010087	1.1/4" NUT	04
06	0511064410	1.5" X 8.1" COUPLING SHAFT	02
07	0521066515	37,20 X 240 ARTICULATION SHAFT WITH HANDLE	02
08	0503030430	7/16 X 80 PIN LOCK	04
09	0521012870	1.46" X 6.18" PIVOT SHAFT	02
10	0511019685	FLAT WASHER	02
11	0501016170	FLAT WASHER	02
12	0503010002	1800 GREASE FITTING	02
13	0503010534	3/8 X 2-1/2 COTTERPIN	02
14	0561017912	FIXER SUPPLEMENT	01
15	0503815107	M12 X 1,75 X40 BOLT	02
16	0521062065	FIXER SUPPLEMENT	01
17	0503032722	EXHAUST	01
18	0571014730	SLEEVE	01
19	0581011746	SLEEVE	01
20	0561011121	CLAMP	01
21	0561011047	FIXER SUPPORT	01
22	0501010984	FLAT WASHER	02
23	0503010025	3/8 SPRING WASHER	02
24	0503010026	3/8" NUT	02
25	0501010125	3/4" X 2-1/2" BOLT	08
26	0503010023	SPRING WASHER	08
27	0503010014	3/4" NUT	08
28	0501010322	FLAT WASHER	04
29	0503013110	M20 X 2,5 X 50 BOLT	04
30	0503010023	SPRING WASHER	12
31	0503013103	M20 X 2,5 X 90 BOLT	06



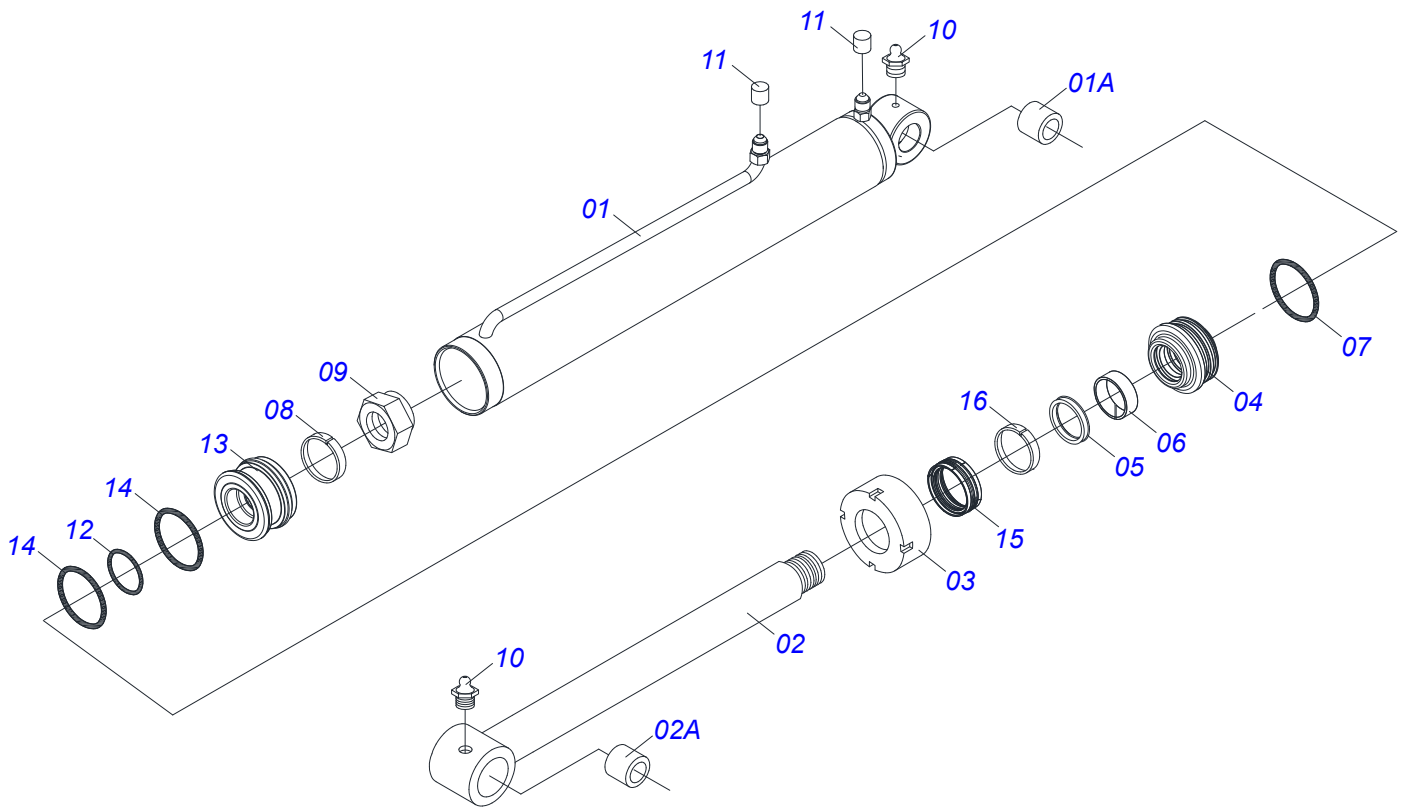
Item	Code	Description	QT
32	0503013111	M20 X 2,5 X 65 BOLT	04
33	0503015162	M 8 X 1,25 X 20 BOLT	04
34	0503010179	SPRING WASHER	04



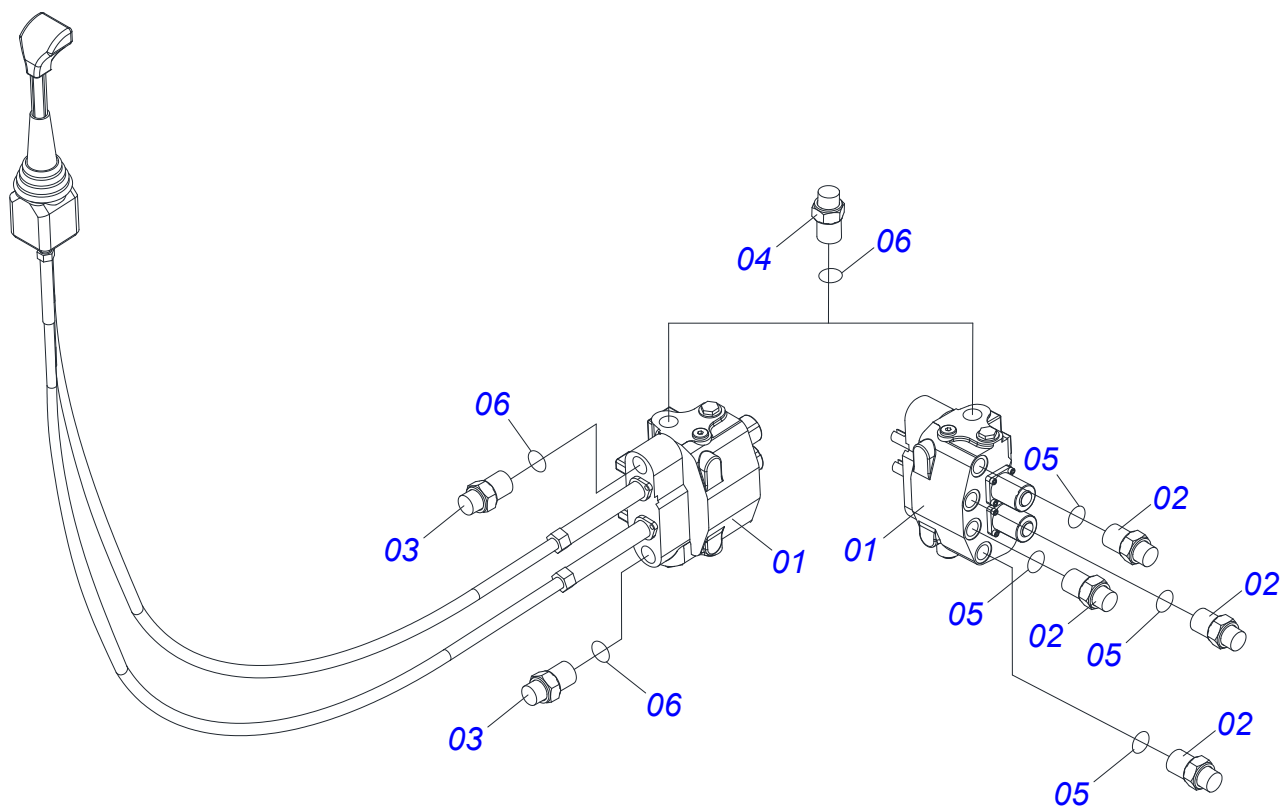
Item	Code	Description	QT
01	0511057974	HYDRAULIC CYLINDER	02
02	0511057973	HIDRAULIC CYLINDER 44,45 X 76,20 X 820 X 551	02
03	0521045393	SET SUPPORT JOY STICK	01
04	0511057772	SECURITY VALVE SET	04
05	0521061553	ADAPTER T	02
06	0503011030	2-014 N 3006-9B O'RING	22
07	0501069860	OUTER OIL TUBE	01
08	0501069861	INNER OIL TUBE	01
09	0501069857	RIGHT RIGHT OIL TUBE	01
10	0501069858	LH RIGHT OIL TUBE	01
11	0581010084	JIC ADAPTER	04
12	0501053835	FEMALE QUICK COUPLER	04
13	0909092704	COM 1/2 MON COMPL JOY+CAB 1,5MT PCA JD 800	01
14	0501053238	HOSE ASSY	01
14A	0503033158	PLASTIC BAG	01
14B	0501080688	3/8" X 25" TC-TC 90G HOSE	02
14C	0501080777	LH 3/8" X 25.9" TC-TC HOSE	02
14D	0501080105	TR-TR HOSE ASSY	01
14E	0501080766	3/8" X 27.56" TC-TC HOSE	01
14F	0501080150	TR-TC HOSE ASSY	02
15	0501053834	QUICK CONECTION (MALE) 1/2	04
16	0501080786	1/2" X 98.42" HOSE ASSY	01
17	0501080495	1/2 X 2500 TR-TC HOSE	01
18	0501080269	1/2 X 3000 TR-TC HOSE ASSY	01
19	0581013404	PUMP	02
20	0503017866	3/16" X 1,1/2" BOLT	01
21	0503010668	3/16" SPRING WASHER	01
22	0503010667	3/16" NUT	01
23	0561018342	1" NF NIPPLE	01
24	0571019584	7/8 UNF NIPLE	01
25	0501011460	7/8 NF REDUCTION NIPPLE	01



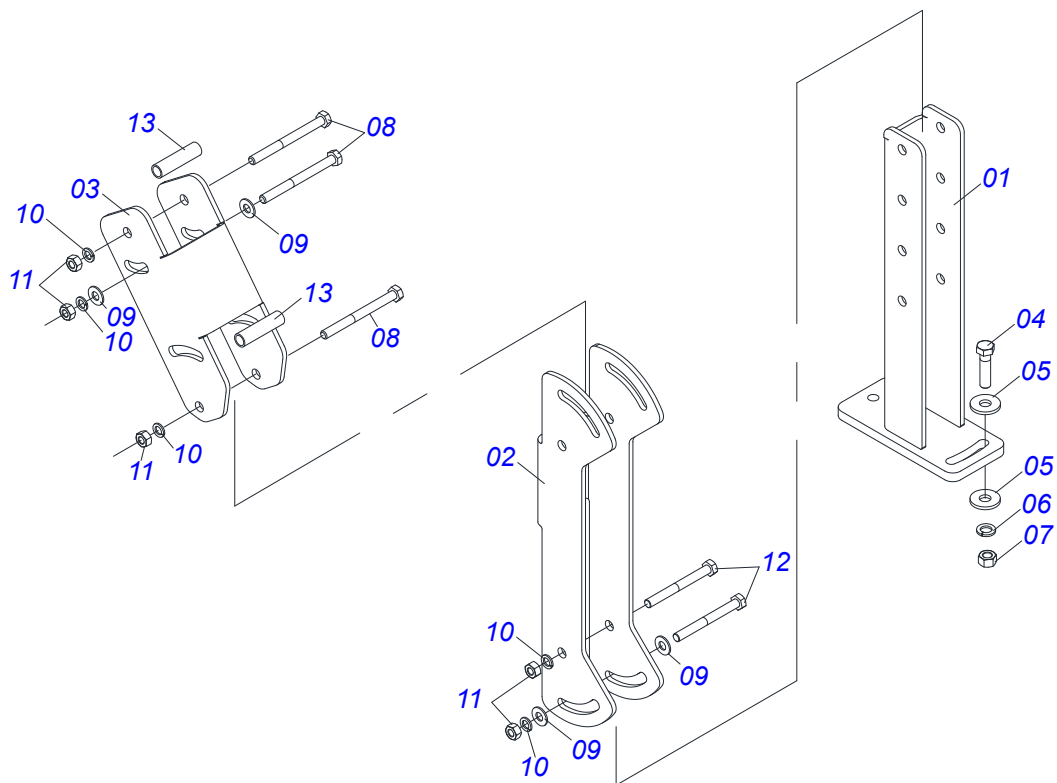
Item	Code	Description	QT
01	0511069198	BODY SHIRT WITH MAKING	01
01A	0521010514	38,1 X 52,9 X 50 SLEEVE INTER	01
02	0521066404	44,45 X 772 TURNBUCKLE	01
02A	0521010514	38,1 X 52,9 X 50 SLEEVE INTER	01
03	0503010063	1" SELF-ALIGNING NUT	01
04	0503010042	2-214 N 3006-9B O'RING	01
05	0571019711	RING SUPPORT	01
06	0503010761	D-1750 SCRAPER RING	01
07	0503010002	1800 GREASE FITTING	02
08	0571019709	DETACHABLE COVER	01
09	0571019710	1.7" X 3.4" PISTON	01
10	0503017935	RING	01
11	0503017936	RING	01
12	0503017938	RING GUIDE	01
13	0503017937	GASKET	01
14	0503017940	8-337 BACK-UP RING	02
15	0503017939	2-337 N 3006-9B O' RING	02
16	0503018144	RING	01
17	0503030385	PLUG	02



Item	Code	Description	QT
01	0521066381	CYLINDER CASE76,20 X 723	01
01A	0521010514	38,1 X 52,9 X 50 SLEEVE INTER	01
02	0511065578	1.7" X 28.18"TURNBUCLE	01
02A	0521010514	38,1 X 52,9 X 50 SLEEVE INTER	01
03	0502011899	MOBILE COVER	01
04	0502012264	RING SUPPORT 1.75" X 3"	01
05	0503010761	D-1750 SCRAPER RING	01
06	0503010949	W2-2000-500 PK RING G.E	01
07	0503010343	2-334 N 3006-9B O'RING	01
08	0503011059	8-334 BACK-UP RING	01
09	0503010063	1" SELF-ALIGNING NUT	01
10	0503010002	1800 GREASE FITTING	02
11	0503030385	PLUG	02
12	0503010042	2-214 N 3006-9B O'RING	01
13	0581010304	PISTON	01
14	0503018138	RING BS	02
15	0503018140	RING GUIDE	01
16	0503017937	GASKET	01

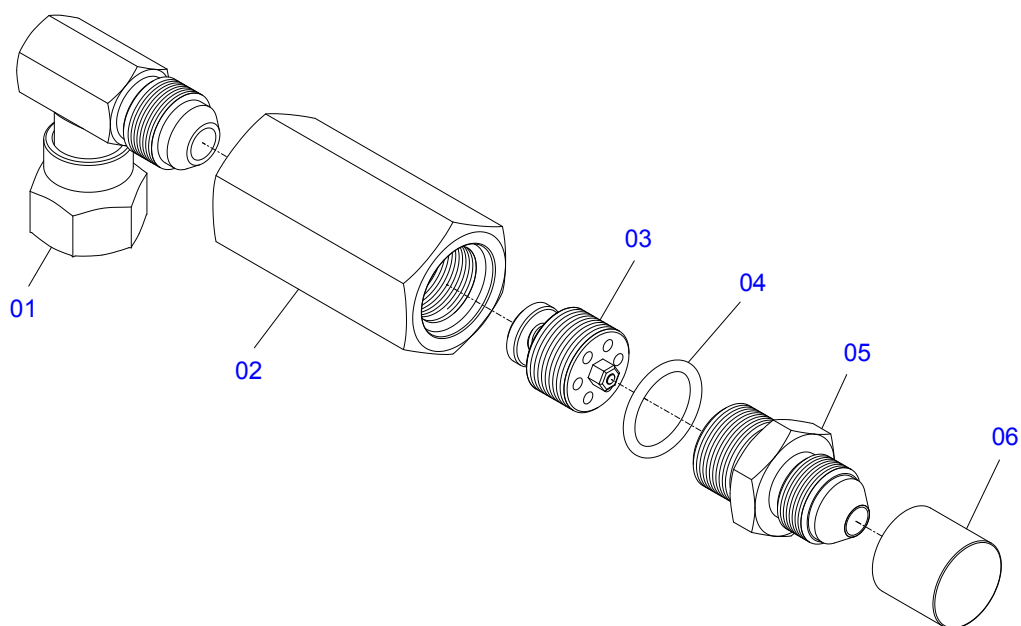


Item	Code	Description	QT
01	0503062415	COMPLETE JOYSTICK CONTROL SDM122/2	01
02	0501010590	7/8" REDUCTION NIPPLE	04
03	0571013917	7/8"NF X 1.1/16 UNF NIPPLE	02
04	0501010589	R. 1.1/16UN SEXT 1.1/4 X 52 NIPPLE	01
05	0503010190	2-114 N 3006-9B O'RING	04
06	0503011109	2-119 N 3006-9B O'RING	03

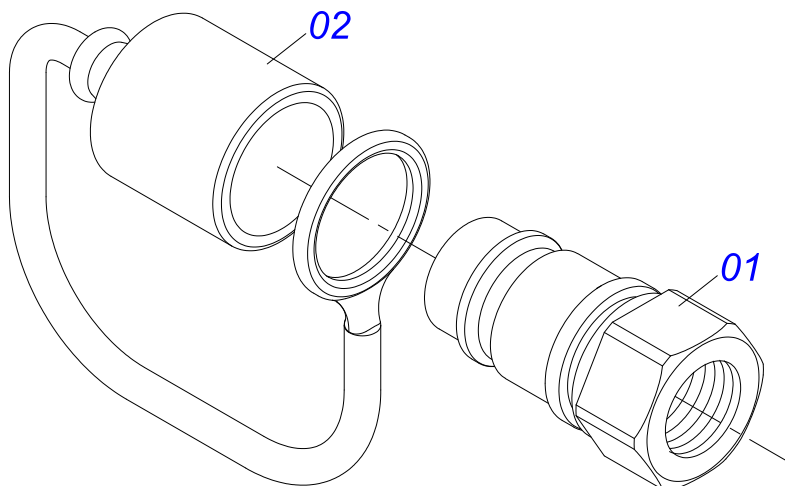


Item	Code	Description	QT
01	0521065789	LOWER JOYSTICK SUPPORT PCA	01
02	0571018376	CENTRAL BODY SUPPLEMENT OF JOYSTICK PCA	01
03	0571018375	SUPERIOR BODY SUPPLEMENT OF JOYSTICK	01
04	0503010849	5/16" X 1-1/2" BOLT	02
05	0501010984	FLAT WASHER	02
06	0503010025	3/8 SPRING WASHER	02
07	0503010026	3/8" NUT	02
08	0503010848	5/16" X 3.1/2" BOLT	04
09	0501010694	FLAT WASHER	06
10	0503010179	SPRING WASHER	06
11	0503010337	5/16" NUT	06
12	0503011053	5/16" X 3" C S 6.5 ZN BOLT	02
13	0541015551	0.39" X 0.512" X 1.9" SLEEVE	02

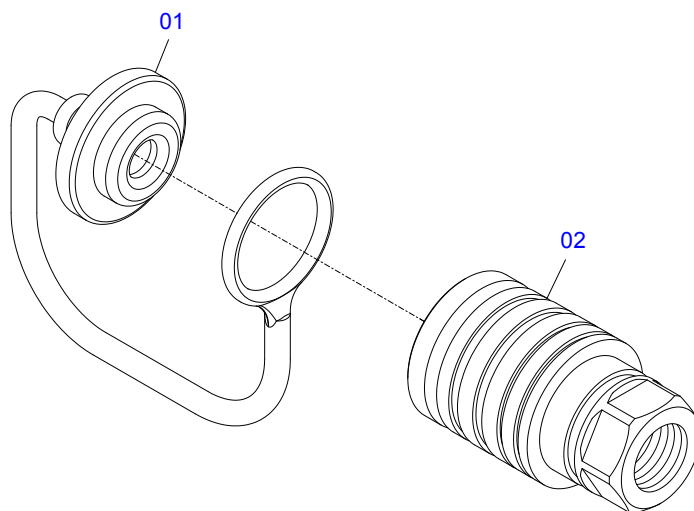
SECURITY VALVE SET



Item	Code	Description	QT
01	0503018034	MALE KNEE JIC	01
02	0581014055	ADAPTER	01
03	0503016854	VALVE ASSY	01
04	0503010045	2-116 N 3006-9B O'RING	01
05	0581014054	BSP 1/2" NIPPLE	01
06	0503030385	PLUG	01



Item	Code	Description	QT
01	0503011627	QUICK CONNECTION (MALE) AGR 1/2 NPT	01
02	0503011882	QUICK CONNECTION COVER	01



Item	Code	Description	QT
01	0503011883	QUICK CONNECTION COVER	01
02	0503011628	FEMALE QUICK COUPLER	01



MARCHESAN IMPLEMENTOS E MÁQUINAS AGRÍCOLAS TATU S.A.

AV. Marchesan, 1979 - Post office box, 131 - CEP 15994-900 - Matão - SP - Brazil

Phone +55 16.3382-8282

(FAX Parts) + 55 16.3382. 8297 - (Export) + 55 16.3382.1003

e.mail: tatu@marchesan.com.br www.marchesan.com.br

Technical Publications: Elaboration

LUIZ CANDIDO

Technical Publications: Revision

LUIZ CANDIDO

Contact Catálogo:

E-mail = jgaspari@marchesan.com.br

**ORIGINAL PARTS
TATU**

