

**OFFSET DISK HARROW**

**GAICR 44/48D - AXIS 1.3/4" - PN400/60**

**Code:** 0501091959  
**Series:** S-1112  
**Revision:** 00  
**Date Revision:** JANEIRO/2021

# PARTS CATALOGUE



**MARCHESAN**



# PRODUCTS

Code	Description
0102260692	GAICR 44 X 30 X 7,50 DM DR PN400/60 S-1112
0102262402	GAICR 48 X 30 X 7,5 DM DR PN400/60 S-1112

## ATTENTION: IMPORTANT

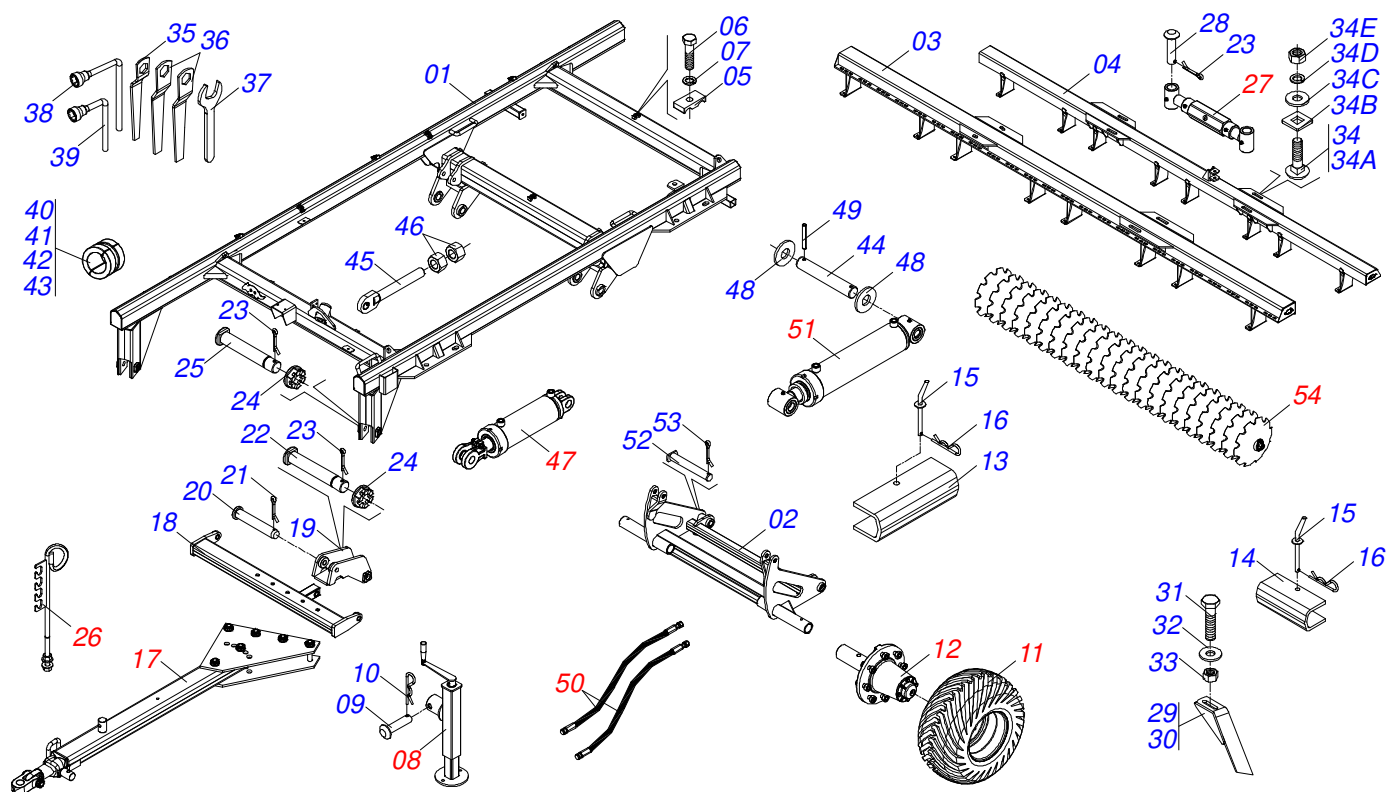
Marchesan S.A. reserves the right to improve and/or modify the technical features of its products, without obligation to do the same with those products already sold and without prior knowledge of the dealer or the customer. The photos are only illustrative.



**MARCHESAN**

# INDEX

0909092706	ASSY FRAME - 44/48D	.....	1
0511048088	DRAWBAR JACK	.....	2
0503060102	WHEEL AND TIRE	.....	3
0501056467	STUB SHAFT & HUB ASSY	.....	4
0521041026	DRAWBAR ASSY	.....	5
0501040257	ASSY 3/4 X 38 HOSE SUPPORT	.....	6
0501052005	STABILIZER FOR GANG	.....	7
0511058419	HYDRAULIC CYLINDER 50,80 X 101,60 X 514 X 206	.....	8
0909092700	HYDRAULIC CIRCUIT - 44/48D	.....	9
0521041328	HYDRAULIC CYLINDER	.....	10
0501053834	MALE QUICK COUPLER	.....	11
0909095558	DISC SECTION - 44/48D	.....	12
0511041509	AGRICULTURAL BEARING	.....	13



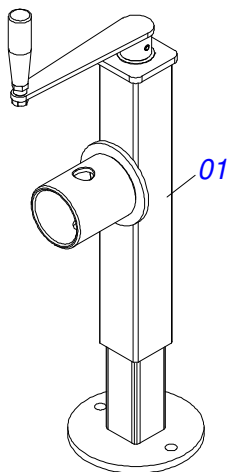
Item	Code	Description	See page	044	048
01	0521063395	FRAME		001	001
02	0521063396	WHEEL		001	001
03	0511066041	FRONT FRAME		001	000
03.	0511066043	FRONT FRAME		000	001
04	0511066042	REAR FRAME		001	000
04.	0511066044	REAR FRAME		000	001
05	0502012702	BODY SUPPORT CLAMP		004	004
06	0503012555	SCREW 7/16 UNC X 2 CS RT G.7 ZN		004	004
07	0503010180	7/16" SPRING WASHER		004	004
08	0511048088	DRAWBAR JACK	2	001	001
09	0561014251	COUPLING SHAFT		001	001
10	0503030012	HITCH PIN CLIP		001	001
11	0503060102	WHEEL AND TIRE	3	002	002
12	0501056467	STUB SHAFT & HUB ASSY	4	002	002
13	0561016693	TRANSPORT LOCK		002	002
14	0551010332	TRANSPORT LOCK		001	001
15	0541016844	FIXER LOCK		003	003
16	0503030285	HITCH PIN CLIP		004	004
17	0521041026	DRAWBAR ASSY	5	001	001
18	0521063399	OFFSET BAR		001	001
19	0511064656	DRAWBAR PIVOT		001	001
20	0531019171	1.25" X 7" COUPLING SHAFT		001	001
21	0503010523	1/4" X 2" SPLIT PIN		004	004
22	0521812053	1.5" X 8.6" AXLE		001	001
23	0503010010	1/4" X 2.1/2" SPLIT PIN		003	003
24	0501011301	1.1/2 UNC 6FPP 2.5/16 NUT		003	003
25	0531018100	37,50 X 200 COUPLING SHAFT		002	002
26	0501040257	ASSY 3/4 X 38 HOSE SUPPORT	6	001	001
27	0501052005	STABILIZER FOR GANG	7	001	001
28	0521810546	AXIS		002	002
29	0521063535	REAR CLEANER		023	025



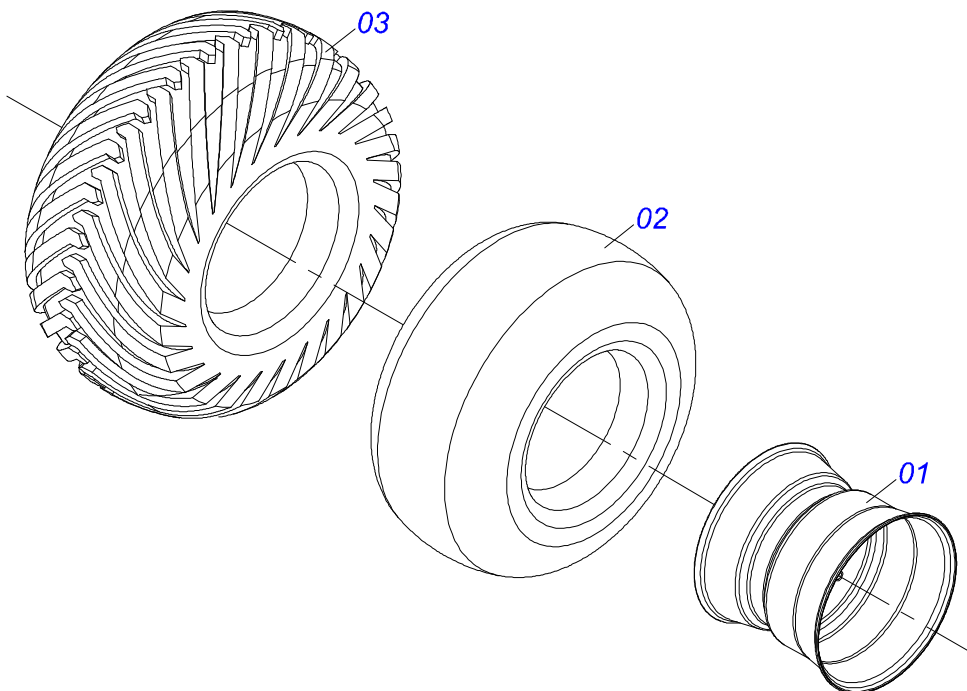
## ASSY FRAME - 44/48D

0909092706

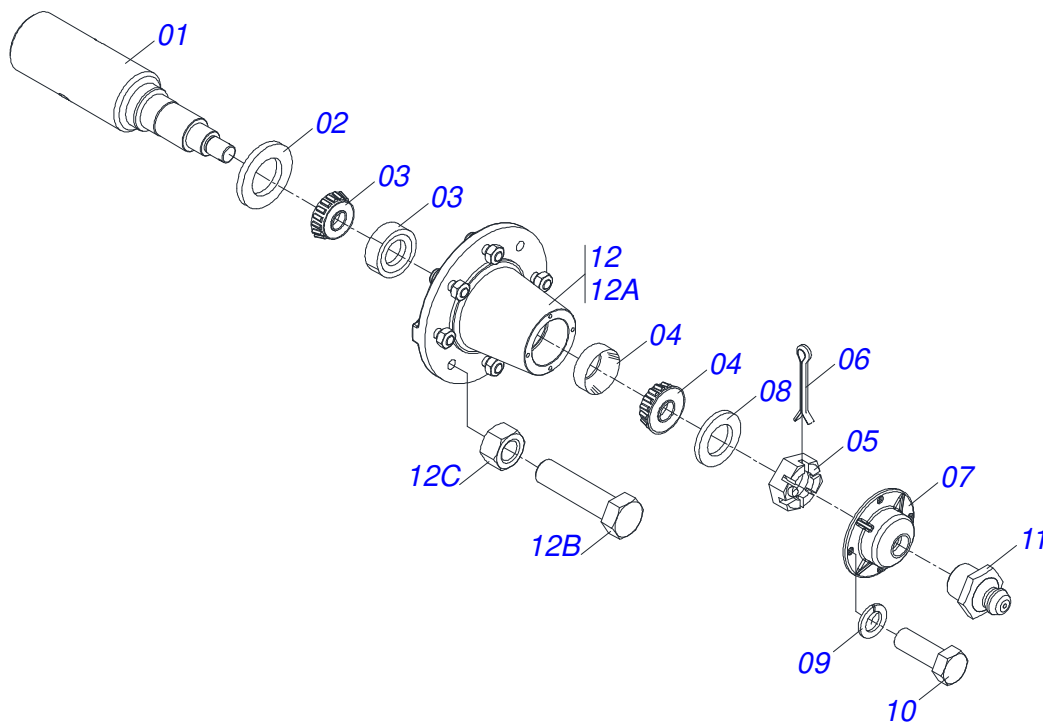
Item	Code	Description	See page	044	048
30	0521063536	FRONT CLEANER		022	024
31	0503013842	5/8" UNC X 1-3/4" BOLT		090	098
32	0501012140	FLAT WASHER		090	098
33	0503010013	5/8 NUT		113	118
34	0501041102	1-1/4" X 3-3/4" ASSY BOLT		008	008
34A	0501015348	1-1/4" X 3-3/4" BOLT		001	001
34B	0501010953	1-1/4" SQUARE WASHER		001	001
34C	0531010713	FLAT WASHER		001	001
34D	0503010070	SPRING WASHER		001	001
34E	0501010087	1.1/4" NUT		001	001
35	0501011432	1-1/2" AND 1-5/8 GANG BOLT WRENCH		001	001
36	0501011431	1-3/4" GANG BOLT WRENCH		002	002
37	0511010153	2-5/16" FIXED WRENCH		001	001
38	0503016140	3/4" WRENCH CABLE CYLINDRICAL		001	001
39	0503016137	1-1/4" WRENCH CABLE CYLINDER		001	001
40	0501047895	25 ROD STOP		003	003
41	0501047885	30 ROD STOP		003	003
42	0501047886	35 ROD STOP		001	001
43	0501047887	40 ROD STOP		001	001
44	0531018101	1.2" X 6.3" PIVOT SHAFT		004	004
45	0511064433	REGULATOR SPINDLE 1-3/4		001	001
46	0501010333	1.3/4" NUT		002	002
47	0511058419	HYDRAULIC CYLINDER 50,80 X 101,60 X 514 X 206	8	001	001
48	0501017779	32 X 60 X 4.75 FLAT WASHER		008	008
49	0503011877	0.3" X 2.4" SPRING PIN		008	008
50	0909092700	HYDRAULIC CIRCUIT - 44/48D	9	001	001
51	0521041328	HYDRAULIC CYLINDER	10	002	002
52	0521063252	50,85 X 332 AXLE		002	002
53	0503010073	3/8" X 3.1/2" SPLIT PIN		002	002
54	0909095558	DISC SECTION - 44/48D	12	001	001



Item	Code	Description	See page	QT
01	0503062227	DRAWBAR JACK		01



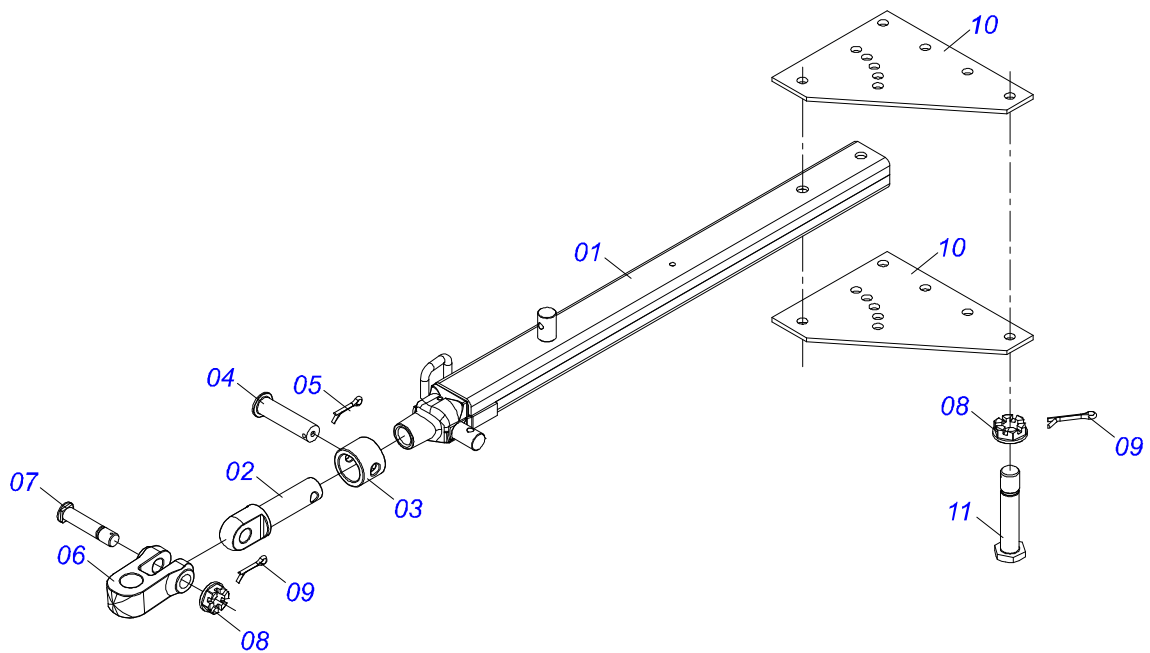
Item	Code	Description	See page	QT
01	0501069483	WHEEL		01
02	0503012112	400/60 - 15.5 TR 15 INNER TIRE		01
03	0503013119	CANVAS TIRE		01



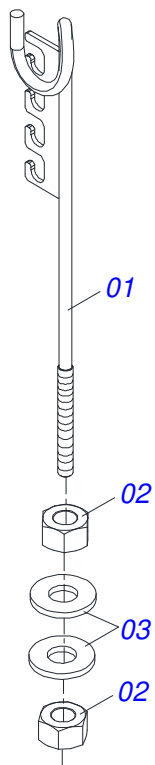
Item	Code	Description	See page	QT
01	0541016566	POINT AXIS 3.1/2 X 375		01
02	0503013314	RETAINER 5166-GB 63,5 X 110 X 13 ARCA		01
03	0503015290	3780/3720 ROLLER BEARING		01
04	0503014821	ROLLER BEARING		01
05	0503830009	1" X 0.9" CASTLE NUT		01
06	0503010018	5/32" X 1-1/2" SPLIT PIN		01
07	0502020591	PROTECCION COVER		01
08	0511812492	FLAT WASHER		01
09	0503011444	SPRING WASHER		04
10	0503810358	5/16" X 7/8" UNC BOLT		04
11	0503010002	1800 GREASE FITTING		01
12	0501110738	CARRYING WHEEL HUB		01
12A	0502012260	TRANSPORT WHEEL BOX		01
12B	0501010186	WHEEL SCREW 5/8UNF X 2.1/8CR		08
12C	0503010064	5/8 UNF CONIC NUT		08



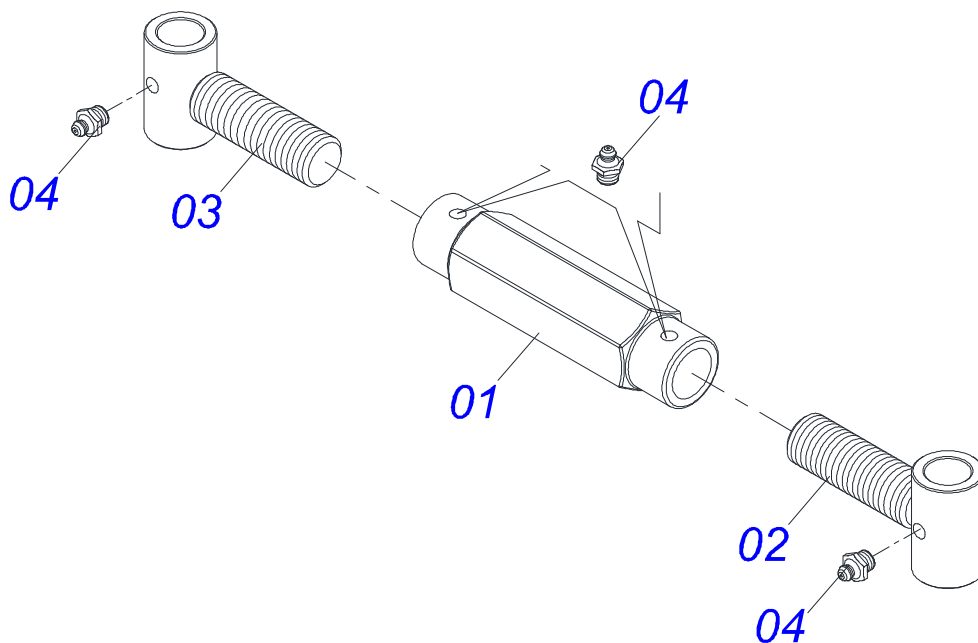
DRAWBAR ASSY



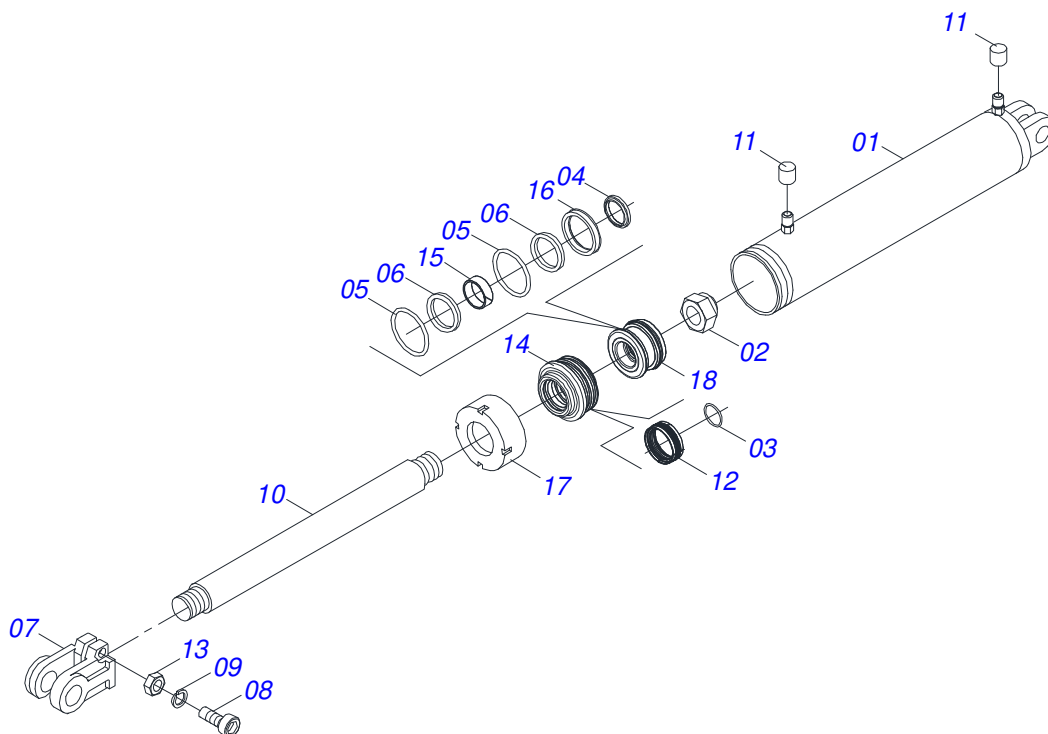
Item	Code	Description	See page	QT
01	0501069323	TRACTION BAR		01
02	1902040223	PIN HITCH		01
03	0502040327	HITCH LOCK RING		01
04	0511014902	COUPLING SHAFT		01
05	0503010571	1/4" X 1.1/2" SPLIT PIN		01
06	0502040732	CLEVIS		01
07	0521012545	COUPLING SHAFT		01
08	0501011301	1.1/2 UNC 6FPP 2.5/16 NUT		07
09	0503010010	1/4" X 2.1/2" SPLIT PIN		06
10	0511016137	UPPER /LOWER PLATE		02
11	0501016419	1-1/2" X 7.5" BOLT		06



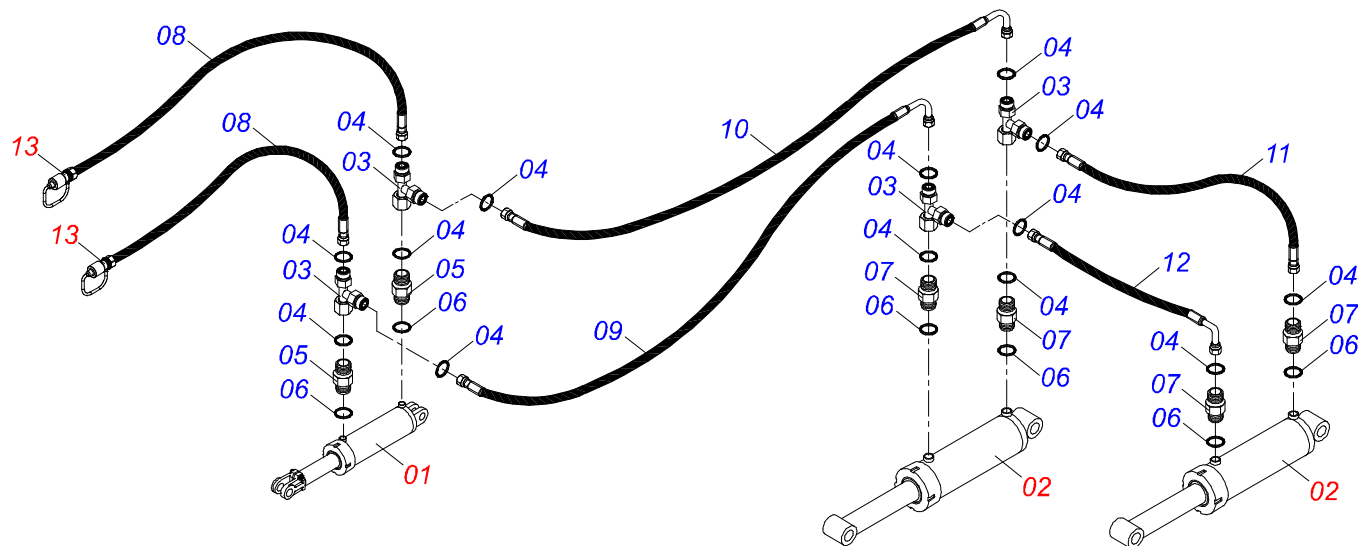
Item	Code	Description	See page	QT
01	0511067334	HOSE SUPPORT		01
02	0503010014	3/4" HEX NUT		02
03	0501010322	FLAT WASHER		02



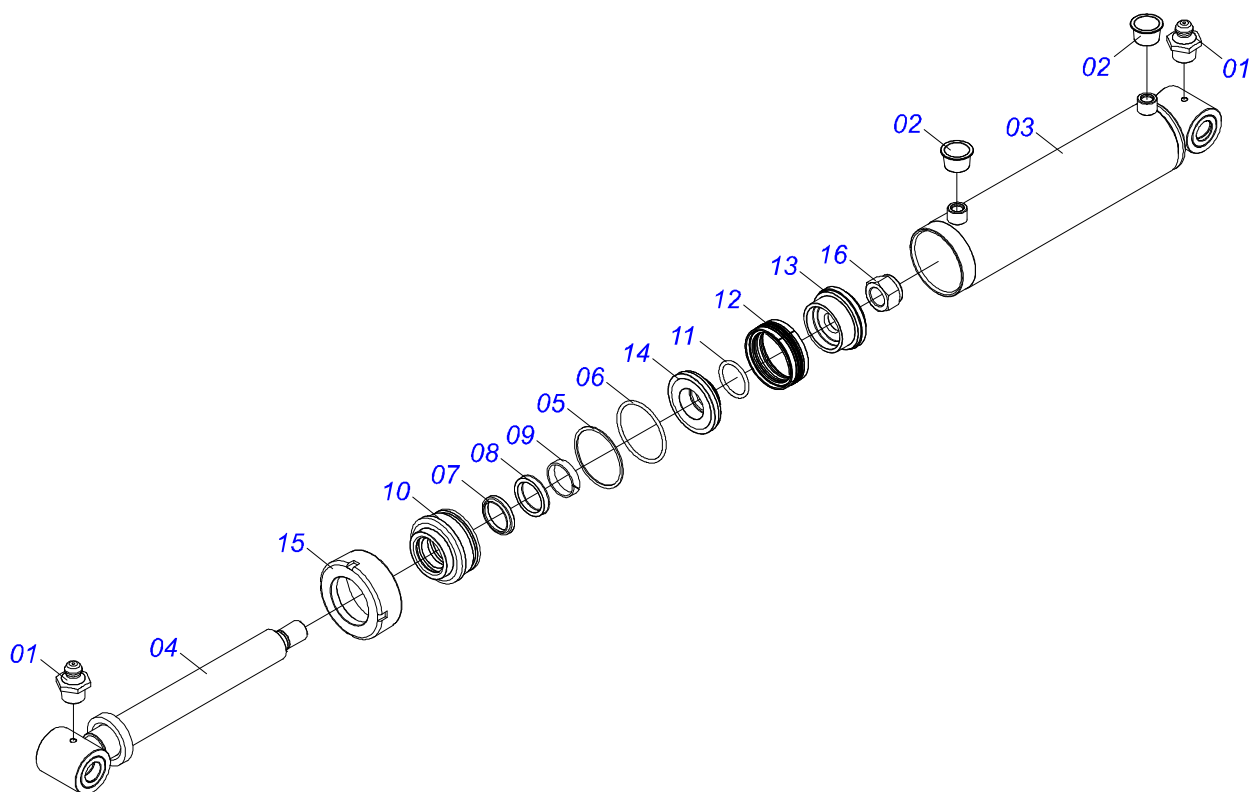
Item	Code	Description	See page	QT
01	0502011469	245 ADJUSTMENT NUT		01
02	0501069416	JACKET		01
03	0501069417	JACK CRANK		01
04	0503010002	1800 GREASE FITTING		04



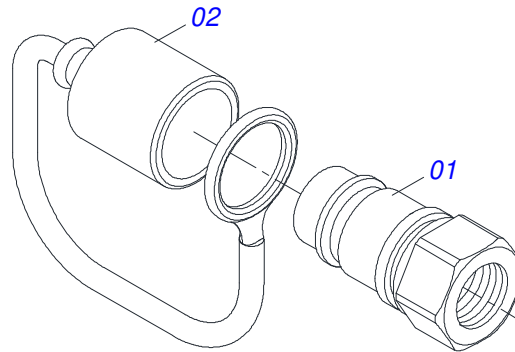
Item	Code	Description	See page	QT
01	0511061336	101,6 X 398 CYLINDER CASE		01
02	0503010817	1.1/4" SELF LOCKING NUT		01
03	0503010345	2-218 N 3006-9B O'RING		01
04	0503015636	SCRAPER SEAL		01
05	0503010338	2-342 N 3006-9B O'RING		02
06	0503011061	8-342 BACK-UP RING		02
07	0502040747	32.54 CLEVIS CLAMP		01
08	0503011094	3/8" X 2" BOLT		01
09	0503011443	3/8" SPRING WASHER		01
10	0521010422	HYDRAULIC CYLINDER TURNBUCKLE		01
11	0503030384	CON PLUG N-001		02
12	0503015633	SELEMASTER SEALING		01
13	0503010026	3/8" NUT		01
14	0581010678	50,80 X 101 RING SUPPORT		01
15	0503018025	RING GUIDE		01
16	0503018026	1870-2000-375 B GASKET		01
17	0502012822	101.60 END CAP		01
18	0502012842	50,80 X 101,60 PISTON		01
19	0511032511R	HYDRAULIC CYLINDER REPAIR KIT		01



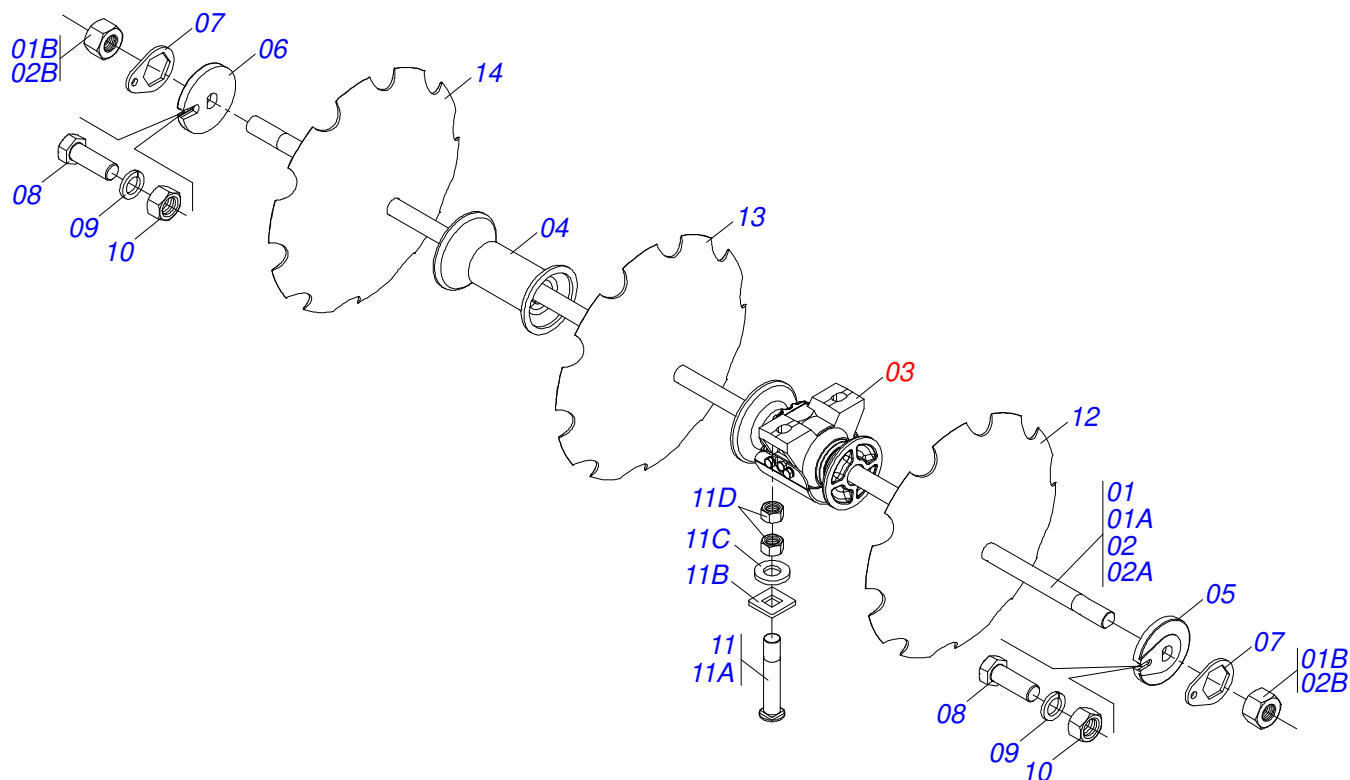
Item	Code	Description	See page	QT
01	0521041328	HYDRAULIC CYLINDER	10	02
02	0511058419	HYDRAULIC CYLINDER 50,80 X 101,60 X 514 X 206	8	01
03	0503013637	T 1/2" MALE ADAPTER		04
04	0503011030	2-014 N 3006-9B O'RING		14
05	0503032031	3/4" UNF REDUCTION NIPPLE		02
06	0503010190	2-114 N 3006-9B O'RING		06
07	0503030923	3/4" UNF X 13/16UN OFS X 40 NIPPLE		04
08	0501080917	1/2" X 216.53" TR-TM OFS HOSE		02
09	0501081593	HOSE TR-TC		01
10	0501081075	1/2" X 4000 TR-TC HOSE ASSY		01
11	0501081758	HOSE TR-TR		01
12	0501081096	1/2" X 2200 TR-TC HOSE		01
13	0501053834	MALE QUICK COUPLER	11	02



Item	Code	Description	See page	QT
01	0503010002	1800 GREASE FITTING		02
02	0503030384	CON PLUG N-001		02
03	0501079791	101,6 X 528,5 CYLINDER CASE		01
04	0521063513	TURNBUCKLE		01
05	0503011061	8-342 BACK-UP RING		01
06	0503010338	2-342 N 3006-9B O'RING		01
07	0503015636	SCRAPER SEAL		01
08	0503015635	U-CUP SEAL		01
09	0503015634	RING SLYDRING		01
10	0502012642	SUPPORT OF THE RINGS		01
11	0503010345	2-218 N 3006-9B O'RING		01
12	0503015633	SELEMASTER SEALING		01
13	0561016387	PISTON BODY		01
14	0561016389	PISTON BODY		01
15	0502010017	4" LID		01
16	0503010817	1.1/4" SELF LOCKING NUT		01

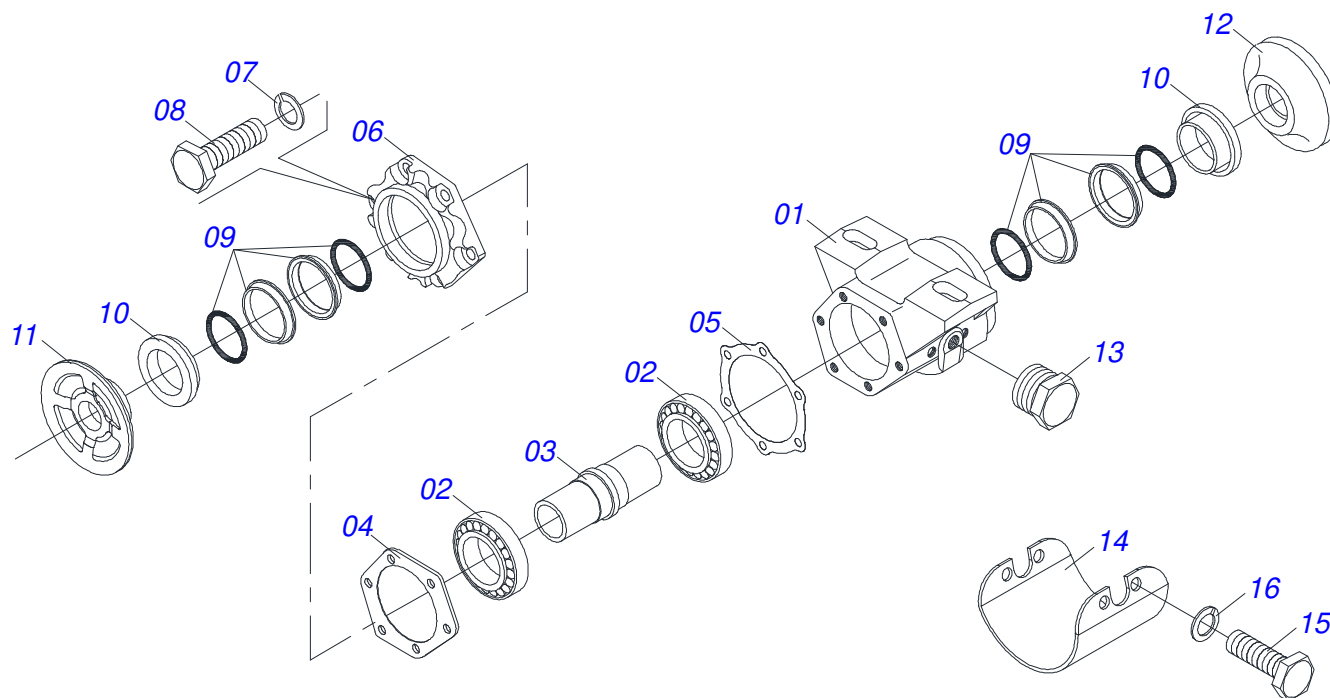


Item	Code	Description	See page	QT
01	0503011627	MALE QUICK COUPLER AGR 1/2 NPT		01
02	0503011882	MALE QUICK COUPLER CAP		01



Item	Code	Description	See page	044	048
01	0501040360	1.3/4" X 1250 AXLE WITH NUT		004	000
01A	0501011425	1.3/4 X 1250 AXLE		001	000
01B	0501810333	1.3/4 NUT		002	000
02	0501040361	1.3/4 X 1520 AXLE WITH NUT		004	008
02A	0501011424	1,3/4" X 1520 AXLE		001	001
02B	0501810333	1.3/4 NUT		002	002
03	0511041509	AGRICULTURAL BEARING	13	016	016
04	0502010400	263 SPACER		020	024
05	0502012222	1-3/4" EXTERNAL AXLE WASHER		008	008
06	0502012221	1-1/2" INNER AXLE WASHER		008	008
07	0511014339	1-5/8" 2.8" NUT LOCK		016	016
08	0503010232	5/8" X 1.3/4" BOLT		020	020
09	0503010027	5/8 SPRING WASHER		020	020
10	0503010013	5/8 NUT		020	020
11	0501041925	3/4" X 3-1/2" BOLT ASSY		032	032
11A	0501010950	3/4" X 3-1/2" BOLT		001	001
11B	0501010949	3/4" SQUARE WASHER		001	001
11C	0501010322	FLAT WASHER		001	001
11D	0503010014	3/4" HEX NUT		001	001
12	0602040041	30X7,5 C105AF04FR1.13/16 10R T/CV NOTCHED DISC		020	022
12.	0602037001	28" X 7,5MM NOTCHED DISC BLADE		001	001
12..	0602033056	26" X 7,5 MM NOTCHED SIC BLADE		001	000
12...	0602033006	26" X 0.2" NOTCHED DISC BLADE		001	000
13	0602030442	24" X 7,5 NOTCHED DISC BLADE		001	001
13.	0602030006	24" X 0.2" NOTCHED DISC BLADE		001	000
13..	0602030323	24" X 7,5 NOTCHED DISC BLADE		000	001
14	0602029414	22" X 6 NOTCHED DISC BLADE		000	001
14.	0602029395	22" X 7,5 NOTCHED DISC BLADE		000	001





Item	Code	Description	See page	QT
01	0502020636	8.8" X 1-5/8" OIL HOUSING BEARING	01	01
02	0503010104	3984/3920 ROLLER BEARING	02	02
03	0502010824	AXLE CM/DM	01	01
04	0503030030	5.6" X 4.4" X 0.01" GASKET	02	02
05	0503030685	5.5" X 4.4" X 0.003" GASKET	01	01
06	0502020161	WEAR PLATE BEARING	01	01
07	0503011443	3/8" SPRING WASHER	06	06
08	0503010237	3/8" X 1" BOLT	06	06
09	0503030027	DUO-CONE SEAL	02	02
10	0502010823	SEAL RETAINER	02	02
11	0502040141	OUTER FLANGE	01	01
12	0502040142	INNER FLANGE	01	01
13	0503010856	OIL PLUG	02	02
14	0581013547	PROTECTION COVER BEARING	01	01
15	0503011401	1/2" X 3/4" BOLT	04	04
16	0503010019	1/2" SPRING WASHER	04	04



# ANNOTATION

---

---

---

---

---

---

---

---

---

---

---

---

---

---

---

---

---

---

---

---

---

---

---

---

---

---

---

---

---

---





**MARCHESAN**

***Technical Publications | Elaboration and Revision***

ALESSANDRA PATRICIA KAWAHARA CARRILI

[www.marchesan.com.br](http://www.marchesan.com.br)

