

PARTS CATALOGUE



OFFSET DISK HARROW

Code:

0501091958

Product:

GAICR 28/32/36/40D - AXIS 1.5/8" - PN400/60



Series:

S-0412

Revision:

00

Date Revision:

JANEIRO/2021



PRODUCTS

Code	Description
0102260679	GAICR 28X28X6,0 DMDR PN400/60 S0412
0102260690C	GAICR 32 X 28 X 7,5 DM DR PN400/60 ESP EXP S-0412
0102260690	GAICR 32 X 28 X 7,5 DM DR PN400/60 ESP S-0412
0102260691	GAICR 32 X 30 X 7,50 DM DR PN400/60 S-0412
0102260670	GAICR 32X26X6,0 DMDR PN400/60 S0412
0102260674	GAICR 32X28X6,0 DMDR PN400/60 S0412
0102260655C	GAICR 32X28X7,5 DM DR PN400/60 EXP S-0412
0102260655	GAICR 32X28X7,5 DMDR PN400/60 S0412
0102260686C	GAICR 36 X 28 X 7,5 DM DR PN400/60 ESP EXP S-0412
0102260686	GAICR 36 X 28 X 7,5 DM DR PN400/60 ESP S-0412
0102260671	GAICR 36X26X6,0 DMDR PN400/60 S0412
0102260675	GAICR 36X28X6,0 DMDR PN400/60 S0412
0102260656C	GAICR 36X28X7,5 DMDR PN400/60 EXP S-0412
0102260656	GAICR 36X28X7,5 DMDR PN400/60 S0412
0102260683	GAICR 40 X 30 X 7,5 DMDR PN400/60 S-0412
0102260672	GAICR 40X26X6,0 DMDR PN400/60 S0412
0102260693C	GAICR 40X28X7,5 DM DR PN400/60 ESPECIAL EXP S-0412
0102260693	GAICR 40X28X7,5 DM DR PN400/60 ESPECIAL S-0412
0102260657C	GAICR 40X28X7,5 DMDR PN400/60 EXP S0412
0102260657	GAICR 40X28X7,5 DMDR PN400/60 S0412

ATTENTION: IMPORTANT

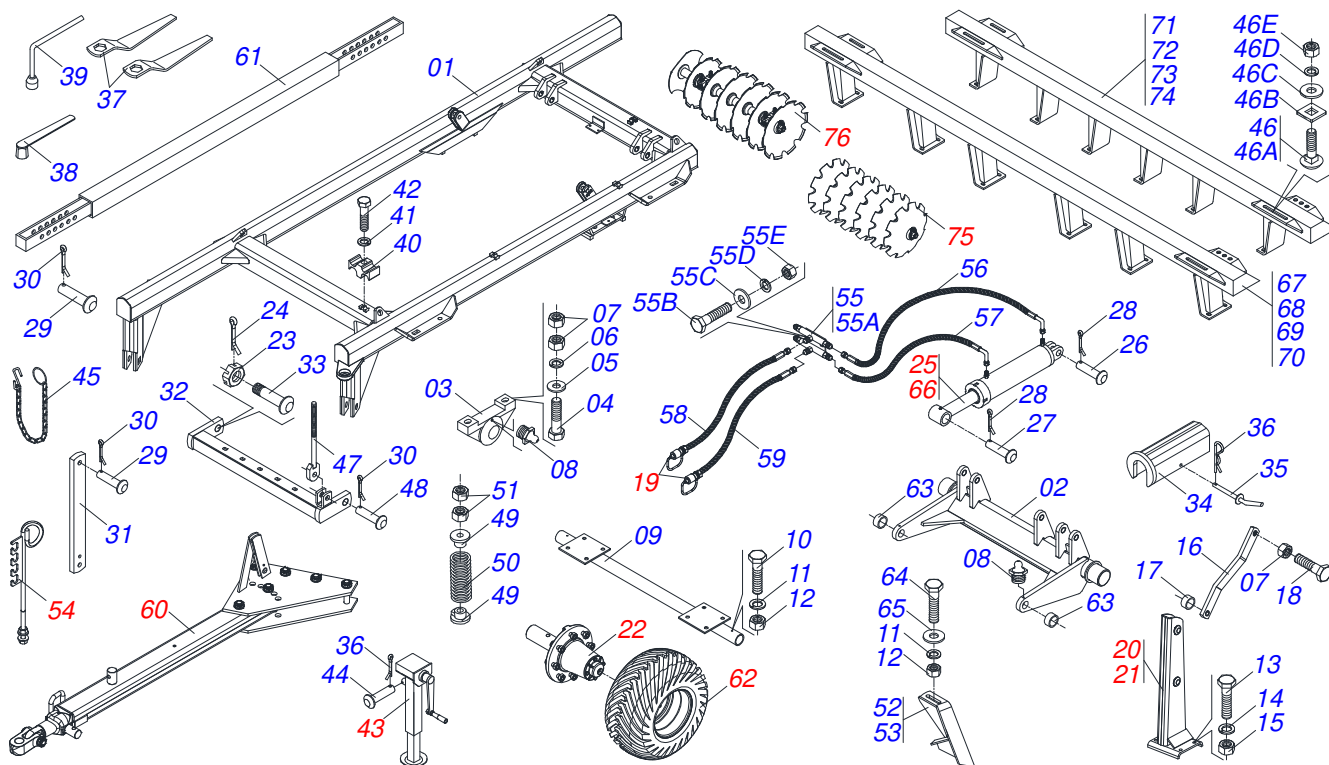
Marchesan S.A. reserves the right to improve and / or modify the technical features of its products, without obligation to do the same with those products already sold and without prior knowledge of the dealer or the consumer.



MARCHESAN

INDEX

0909092695	ASSY FRAME 28/32/36/40D	1
0501054147	RIGHT SUSPENSION TOWER	2
0501054148	LEFT SUSPENSION TOWER	3
0501056467	STUB SHAFT & HUB ASSY	4
0501051885	CARRYING-WHEELS	5
0511048088	DRAWBAR JACK	6
0501046331	HYDRAULIC CYLINDER	7
0511059181	HYDRAULIC CYLINDER 50,80X101,60X515X248	8
0511058419	HYDRAULIC CYLINDER 50,80 X 101,60 X 514 X 206	9
0521041328	HYDRAULIC CYLINDER	10
0501053834	MALE QUICK COUPLER WITH CAP - 1/2 NPT	11
0501040257	3/4 X 1200 HOSE HOLDER A	12
0511041570	DRAWBAR ASSY 3"	13
0521041026	DRAWBAR ASSY	14
0501052005	STABILIZER FOR GANG	15
0909092703	FRONT/REAR GANG DISC 28/32/36/40D	16
0909095573	FRONT/REAR GANG DISC 32/36/40D	17
0501048457	262MM X 1.5/8" RD OIL BATH BEARING	18
0501046925	262 X 1-5/8" OIL BATH BRG ASSY,FG	19



Item	Code	Description	See page	28	32	36	40
01	0501067290	CENTER FRAME		01	01	01	01
02	0501067244	WHEELS		01	01	01	01
03	0502010972	ARTICULACION BEARING		02	02	02	02
04	0503011432	BOLT		04	04	04	04
05	0501010065	1" SPRING WASHER		04	04	04	04
06	0503011438	SPRING WASHER		04	04	04	04
07	0501010059	1.5/8 NUT		08	08	08	08
08	0503010002	1800 GREASE FITTING		06	06	06	06
09	0511069623	WHEEL SISTEM FIXER		01	01	01	01
10	0503010706	SCREW 1/2 UNC X 4.1/2 C S G.5 ZN		02	02	02	02
11	0503010019	1/2" SPRING WASHER		30	38	46	54
12	0503010060	1/2" NUT		30	38	46	54
13	0501010125	3/4" X 2-1/2" BOLT		08	08	08	08
14	0503011442	3/4" SPRING WASHER		08	08	08	08
15	0503010014	3/4" NUT		08	08	08	08
16	0501110404	SUPPORT BAR		02	02	02	02
17	0511019921	1.3" X 0.1" X 1" SLEEVE		01	01	01	01
18	0503011432	BOLT		02	02	02	02
19	0501053834	MALE QUICK COUPLER WITH CAP - 1/2 NPT	11	02	02	02	02
20	0501054147	RIGHT SUSPENSION TOWER	2	01	01	01	01
21	0501054148	LEFT SUSPENSION TOWER	3	01	01	01	01
22	0501051885	CARRYING-WHEELS	5	02	02	02	02
23	0501011301	1.1/2 UNC 6FPP 2.5/16 NUT		06	06	06	06
24	0503010010	1/4" X 2.1/2" COTTERPIN		06	06	06	06
25	0501046331	HYDRAULIC CYLINDER	7	02	02	02	02
26	0521010546	1.2" X 5.7" COUPLING SHAFT		02	02	02	02
27	0521010547	1.2" X 6.5" COUPLING SHAFT		02	02	02	02
28	0503010523	1/4" X 2" COTTERPIN		05	05	05	05
29	0521010575	C0.9" X 3.3" COUPLING SHAFT		02	02	02	02
30	0503010571	1/4" X 1.1/2 COTTERPIN		04	04	04	04
31	0511013526	STABILIZER BAR TOWER		01	01	01	01

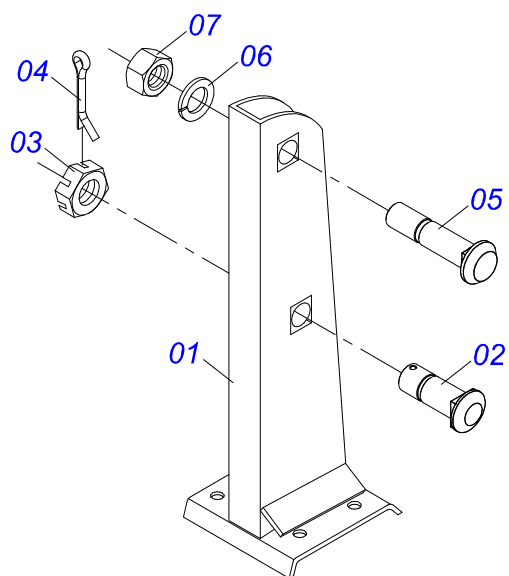


ASSY FRAME 28/32/36/40D

0909092695

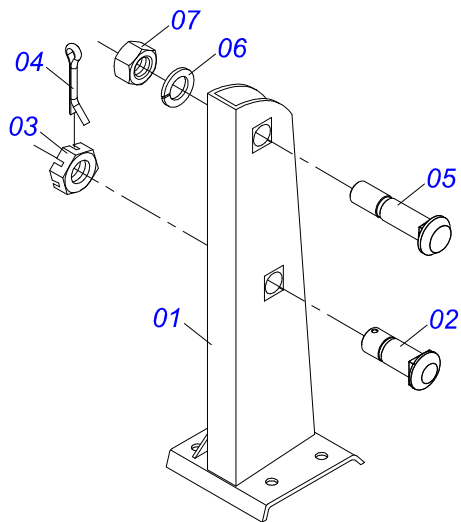
Item	Code	Description	See page	28	32	36	40
32	0501067241	OFFSET BAR		01	01	01	01
33	0521017538	11-1/2" X 5" COUPLING SHAFT		02	02	02	02
34	0501066386	TRANSPORT LOCK 9.54"		02	02	02	02
35	0501068994	0.3" X 3.1" LOCK PIN		01	01	01	01
36	0503030168	HAIR PIN		01	01	01	01
37	0501011431	1-3/4" GANG BOLT WRENCH		02	02	02	02
38	0501061617	1" GANG BOLT WRENCH		01	01	01	01
39	0503016140	3/4" WRENCH CABLE CYLINDRICAL		01	01	01	01
40	0502012702	BODY SUPPORT CLAMP		04	04	05	05
41	0503010180	7/16" SPRING WASHER		04	04	04	04
42	0503012555	SCREW 7/16 UNC X 2 CS RT G.7 ZN		04	04	04	04
43	0511048088	DRAWBAR JACK	6	01	01	01	01
44	0521010549	COUPLING SHAFT		01	01	01	01
45	0503013150	1300 X 3/8 CHAIN		01	01	01	01
46	0501040877	C1" X 3-1/4" ASSY BOLT		08	08	08	08
46A	0501010171	PARAFUSO 1 UNC X 3.1/2 C S G.5		08	08	08	08
46B	0502012861	1" SQUARE WASHER		08	08	08	08
46C	0501010065	1" SPRING WASHER		08	08	08	08
46D	0503010012	1" SPRING WASHER		08	08	08	08
46E	0501010059	1.5/8 NUT		08	08	08	08
47	0501064699	SPRING ROD		01	01	01	01
48	0521010592	1.1" X 3.1" COUPLING SHAFT		02	02	02	02
49	0502020394	SPRING SUPPORT		02	02	02	02
50	0503030441	12.7" X 5.7" X 0.5" SPRING		01	01	01	01
51	0501010087	1.1/4" NUT		02	02	02	02
52	0501065827	FRONT CLEANER		09	09	11	13
53	0501065828	REAR CLEANER		09	09	11	13
54	0501040257	3/4 X 1200 HOSE HOLDER A	12	01	01	01	01
55	0501051611	CONNECTION ASSY		01	01	01	01
55A	0501068706	DOUBLE CONNECTION		01	01	01	01
55B	0503010237	3/8" X 1" BOLT		02	02	02	02
55C	0501010984	FLAT WASHER		02	02	02	02
55D	0503010025	3/8" SPRING WASHER		02	02	02	02
55E	0503010026	3/8" NUT		02	02	02	02
56	0501080054	3/8" X 17" TR-TC HOSE ASSY		02	02	02	02
57	0501080413	3/8" X 27" TR-TC HOSE		02	02	02	02
58	0501080458	3/8" X 315" TC-TM HOSE ASSY		01	01	01	01
59	0501080459	3/8" X 322" TC-TM HOSE ASSY		01	01	01	01
60	0511041570	DRAWBAR ASSY 3"	13	01	01	01	01
61	0501067243	STABILIZER BAR		01	01	01	01
62	0503060102	WHEEL AND TIRE		02	02	02	02
63	0521010737	2" X 1.5" X 1.4" SLEEVE		02	02	02	02
64	0503010740	BOLT 1/2 UNC X 2 CS G.5 ZN		36	36	44	52
65	0511017302	FLAT WASHER		36	36	44	52
66	0511059181	HYDRAULIC CYLINDER 50,80X101,60X515X248	8	01	00	00	00
67	0501066810	FRONT FRAME		01	00	00	00
68	0501065161	FRONT FRAME		00	01	00	00
69	0501065163	FRONT FRAME		00	00	01	00
70	0501065165	FRONT FRAME		00	00	00	01
71	0501066811	REAR FRAME		01	00	00	00
72	0501065162	REAR FRAME		00	01	00	00
73	0501065164	REAR FRAME		00	00	01	00
74	0501065166	REAR FRAME		00	00	00	01
75	0909092703	FRONT/REAR GANG DISC 28/32/36/40D	16	01	01	01	01
76	0909095573	FRONT/REAR GANG DISC 32/36/40D	17	00	01	01	01

RIGHT SUSPENSION TOWER

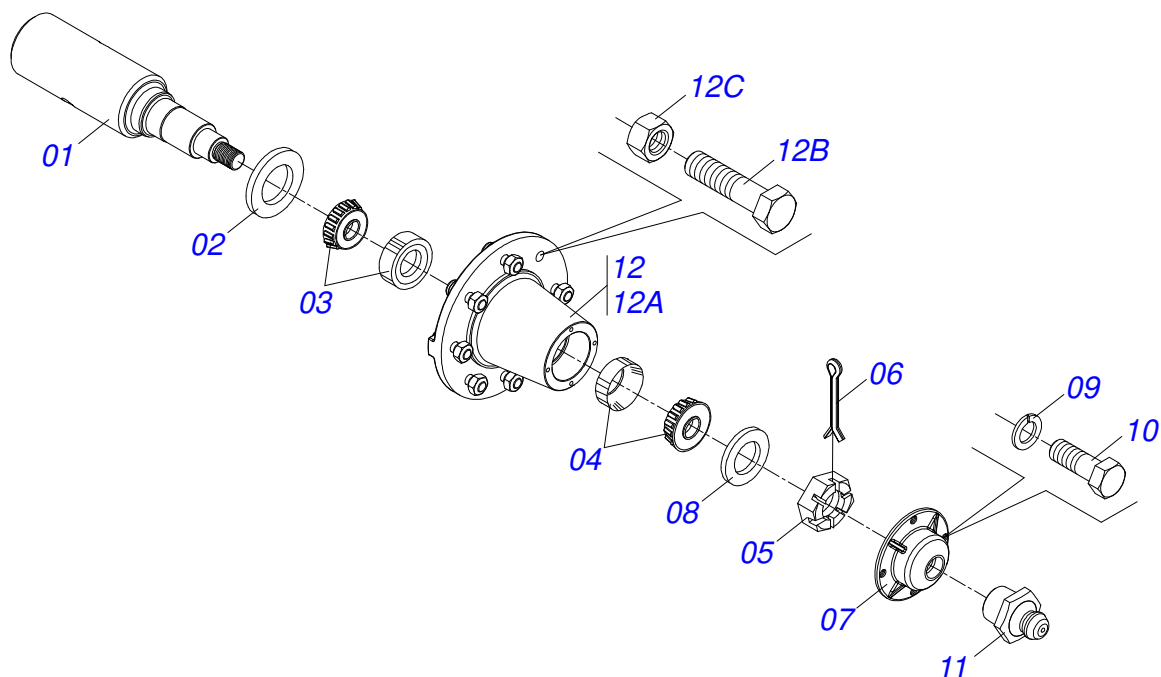


Item	Code	Description	See page	QT
01	0501068260	RIGHT SUSPENSION TOWER		01
02	0511018006	1-1/2 X 4.13" U BOLT OF SUSP TOWER		01
03	0501011301	1.1/2 UNC 6FPP 2.5/16 NUT		01
04	0503010010	1/4" X 2.1/2" COTTERPIN		01
05	0511017974	1 U BOLT OF THE SUSPENSION TOWER		01
06	0503010012	1" SPRING WASHER		01
07	0501010059	1.5/8 NUT		01

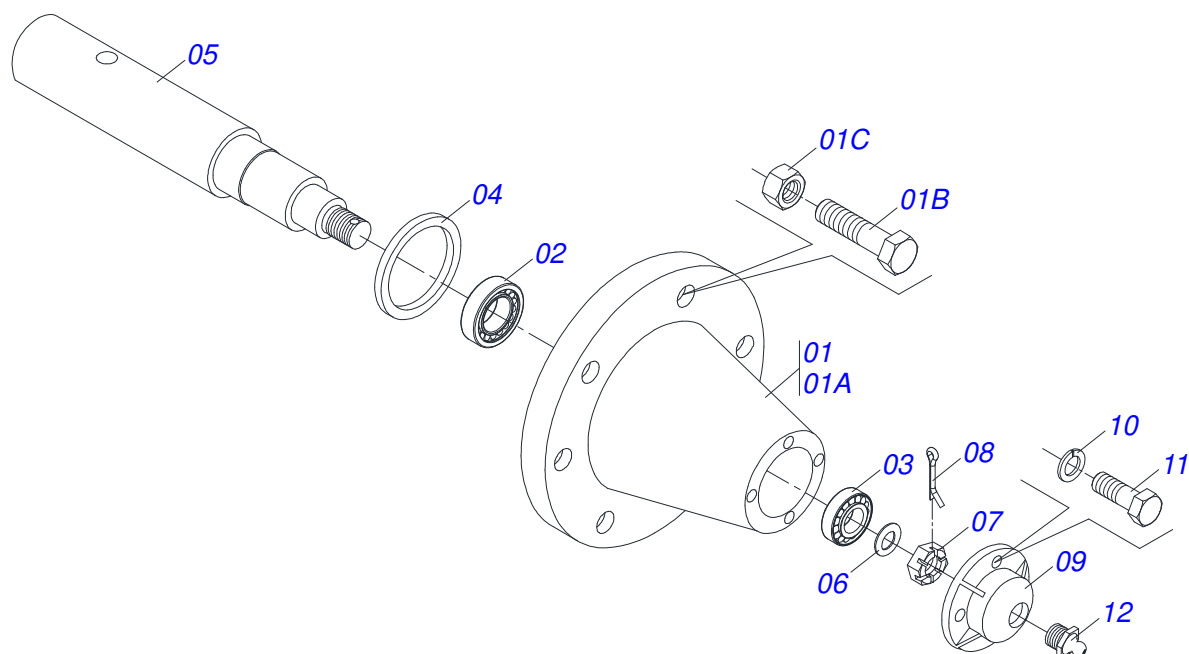
LEFT SUSPENSION TOWER



Item	Code	Description	See page	QT
01	0501068261	LEFT SUSPENSION TOWER		01
02	0511018006	1-1/2 X 4.13" U BOLT OF SUSP TOWER		01
03	0501011301	1.1/2 UNC 6FPP 2.5/16 NUT		01
04	0503010010	1/4" X 2.1/2" COTTERPIN		01
05	0511017974	1 U BOLT OF THE SUSPENSION TOWER		01
06	0503010012	1" SPRING WASHER		01
07	0501010059	1.5/8 NUT		01

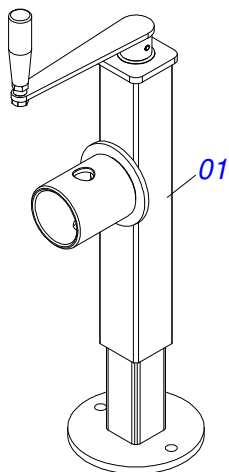


Item	Code	Description	See page	QT
01	0541016566	POINT AXIS 3.1/2 X 375 GCRO 7010		01
02	0503013314	RETENTOR 5166-GB 63,5 X 110 X 13 ARCA		01
03	0503015290	3780/3720 ROLLER BEARING		01
04	0503014821	ROLLER BEARING		01
05	0503830009	1" X 0.9" CASTLE NUT		01
06	0503010018	5/32 X 1-1/2 COTTERPIN		01
07	0502020591	PROTECCION COVER		01
08	0511812492	FLAT WASHER		01
09	0503011444	SPRING WASHER		04
10	0503810358	5/16" X 7/8" UNC BOLT		04
11	0503010002	1800 GREASE FITTING		01
12	0501110738	CARRYING WHEEL HUB		01
12A	0502012260	CAIXA RODADO TRANSPORTE		01
12B	0501010186	WHEEL SCREW 5/8UNF X 2.1/8CR		08
12C	0503010064	5/8 UNF CONIC NUT		08



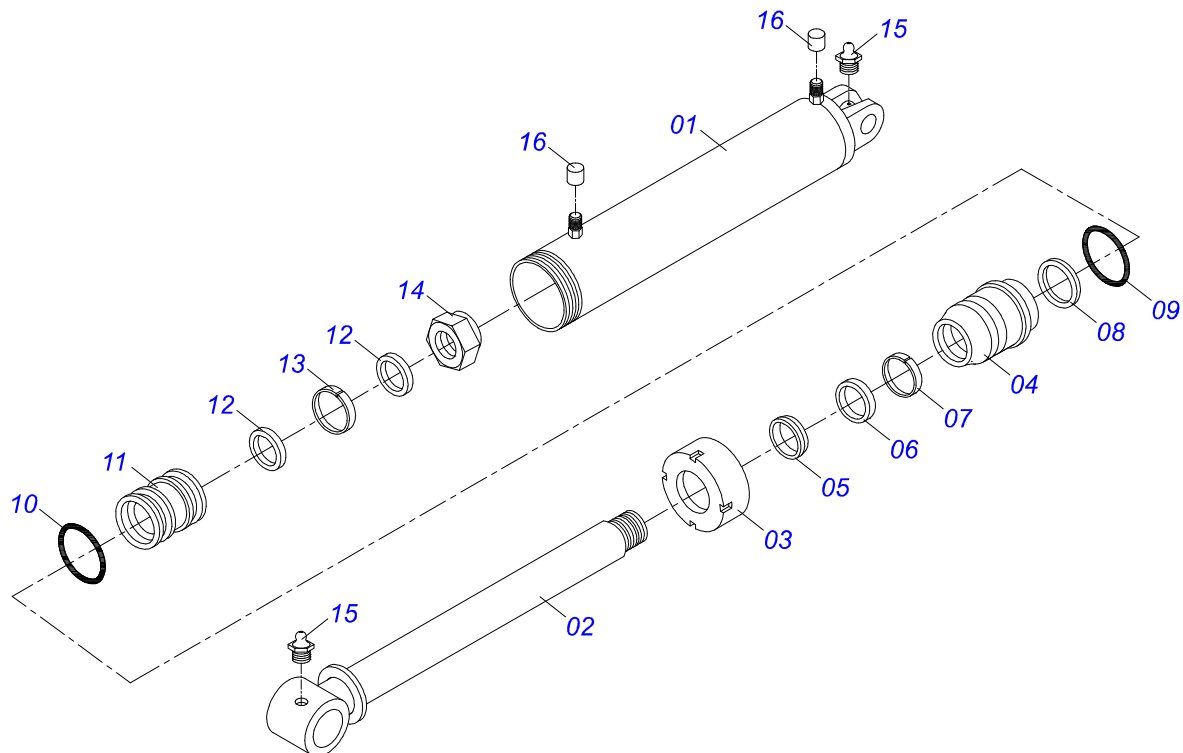
Item	Code	Description	See page	QT
01	0501110738	CARRYING WHEEL HUB		01
01A	0502012260	CAIXA RODADO TRANSPORTE		01
01B	0503010064	5/8 UNF CONIC NUT		08
01C	0501010186	WHEEL SCREW 5/8UNF X 2.1/8CR		08
02	0503011156	ROLAMENTO 2780/2720 IMP		01
03	0503010008	ROLAMENTO 3780/37203		01
04	0503013314	RETENTOR 5166-GB 63,5 X 110 X 13 ARCA		01
05	0511012494	SPINDLE		01
06	0511012492	ARRUELA LISA 28 X 46 X 6,30		01
07	0503030009	1" CASTLE NUT		01
08	0503010018	5/32 X 1-1/2 COTTERPIN		01
09	0502020591	PROTECCION COVER		01
10	0503011444	SPRING WASHER		04
11	0503010358	5/16" X 5/8" BOLT		04
12	0503010002	1800 GREASE FITTING		01

DRAWBAR JACK

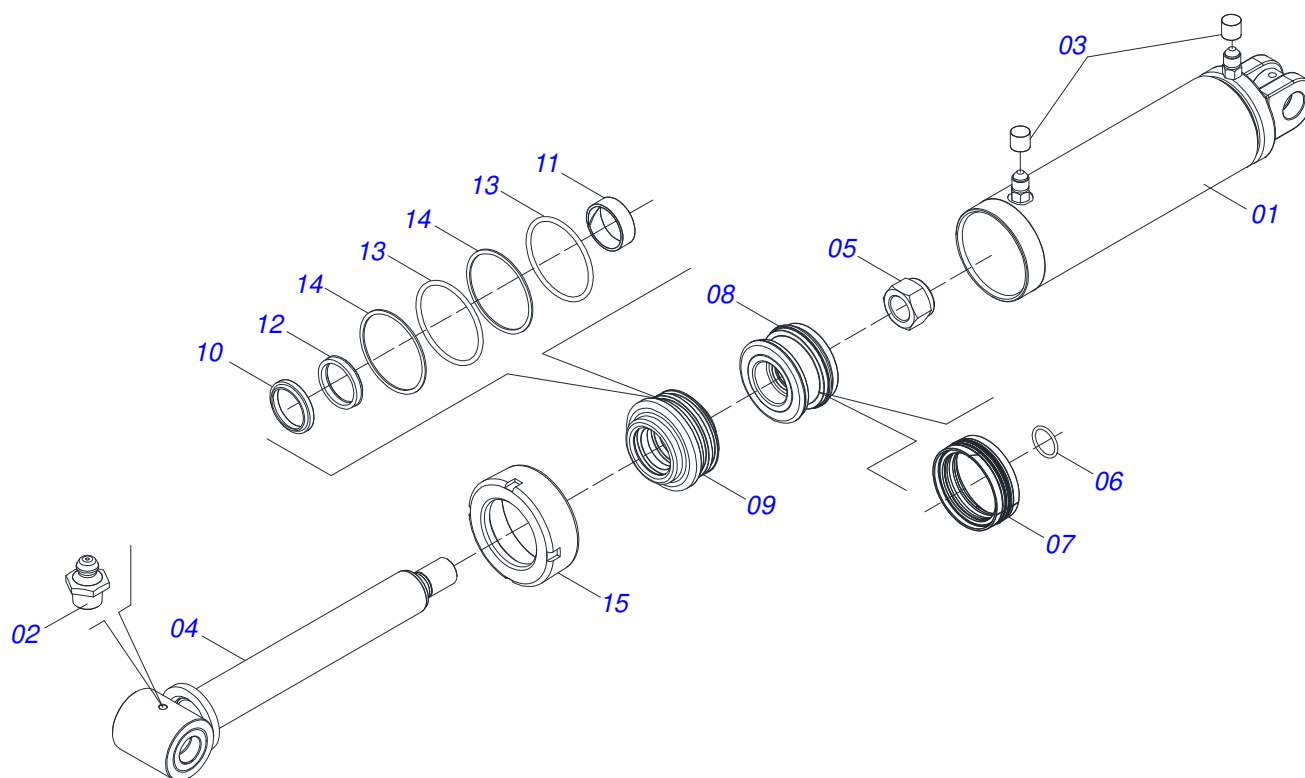


Item	Code	Description	See page	QT
01	0503062227	DRAWBAR JACK		01

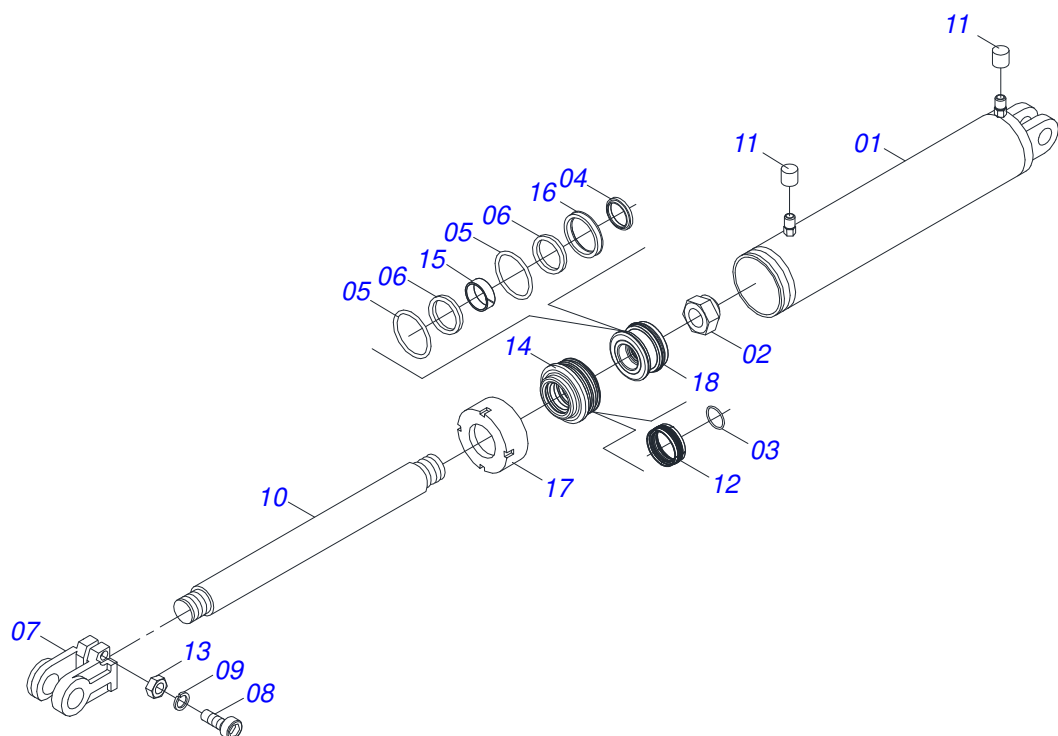
HYDRAULIC CYLINDER



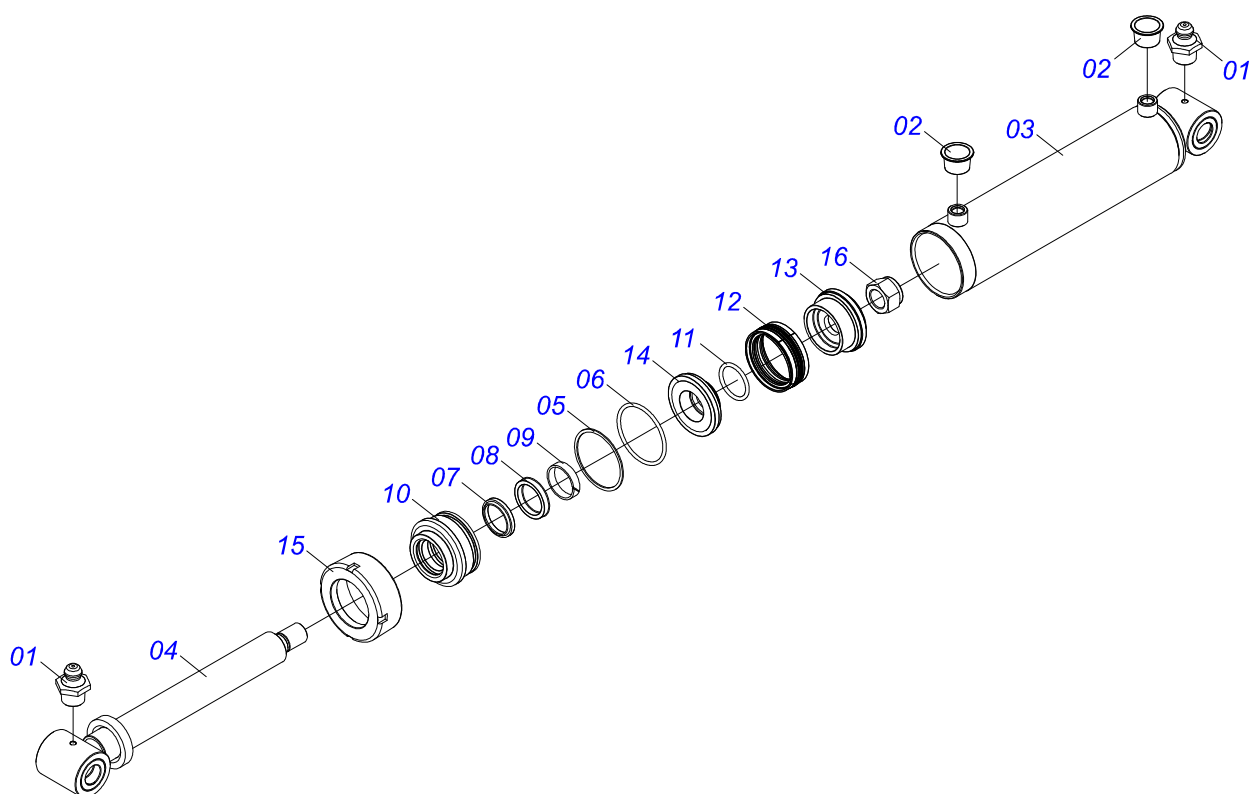
Item	Code	Description	See page	QT
01	0501067256	4" X 16" CYLINDER CASE		01
02	0501067733	2" X 17.5" TURNBUCLE WITH BUSHING		01
03	0502010017	4" HEAD		01
04	0502010778	2" X 4.2" RING SUPPORT		01
05	0503010039	D-2000 SCRAPER RING		01
06	0503010991	1870-2000-375-B GASKET		01
07	0503010952	W2-2250-500 RING		01
08	0503011061	8-342 BACK-UP RING		01
09	0503010338	2-342 N 3006-9B O'RING		01
10	0503010345	2-218 N 3006-9B O'RING		01
11	0502010992	2.0" X 4.0" PISTON		01
12	0503010043	PACKING 3750-3250		02
13	0503010994	W2-4000-500 PK RING G.E		01
14	0503010817	1.1/4" SELF LOCKING NUT		01
15	0503010002	1800 GREASE FITTING		02
16	0503030385	CYLINDER PLUG N-002		02
17	0501031248	HYDRAULIC CYLINDER REPAIR KIT		01



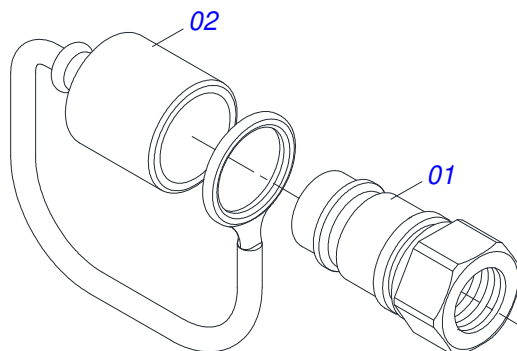
Item	Code	Description	See page	QT
001	0501067256	4" X 16" CYLINDER CASE		01
002	0503010002	1800 GREASE FITTING		02
003	0503030385	CYLINDER PLUG N-002		02
004	0521066345	50,80 X 452 TURNBUCLE		01
005	0503010817	1.1/4" SELF LOCKING NUT		01
006	0503010345	2-218 N 3006-9B O'RING		01
007	0503015633	SELEMASTER SEALING		01
008	0502012842	50,80 X 101,60 PISTON		01
009	0581010678	50,80 X 101 RING SUPPORT		01
010	0503015636	SCRAPER SEAL		01
011	0503018025	RING GUIDE		01
012	0503018026	1870-2000-375 B GASKET		01
013	0503010338	2-342 N 3006-9B O'RING		02
014	0503011061	8-342 BACK-UP RING		02
015	0502012822	101.60 END CAP		01



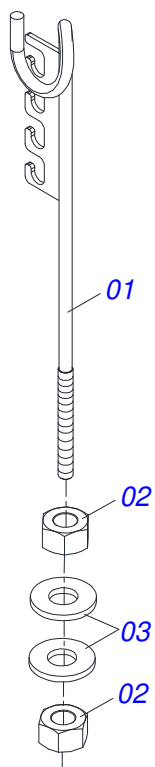
Item	Code	Description	See page	QT
001	0511061336	101,6 X 398 CYLINDER CASE		01
002	0503010817	1.1/4" SELF LOCKING NUT		01
003	0503010345	2-218 N 3006-9B O'RING		01
004	0503015636	SCRAPER SEAL		01
005	0503010338	2-342 N 3006-9B O'RING		02
006	0503011061	8-342 BACK-UP RING		02
007	0502040747	32.54 CLEVIS CLAMP		01
008	0503011094	3/8" X 2" BOLT		01
009	0503011443	3/8" SPRING WASHER		01
010	0521010422	HYDRAULIC CYLINDER TURNBUCKLE		01
011	0503030384	CON PLUG N-001		02
012	0503015633	SELEMASTER SEALING		01
013	0503010026	3/8" NUT		01
014	0581010678	50,80 X 101 RING SUPPORT		01
015	0503018025	RING GUIDE		01
016	0503018026	1870-2000-375 B GASKET		01
017	0502012822	101.60 END CAP		01
018	0502012842	50,80 X 101,60 PISTON		01
019	0511032511R	HYDRAULIC CYLINDER REPAIR KIT		01



Item	Code	Description	See page	QT
01	0503010002	1800 GREASE FITTING		02
02	0503030384	CON PLUG N-001		02
03	0501079791	101,6 X 528,5 CYLINDER CASE		01
04	0521063513	TURNBUCKLE		01
05	0503011061	8-342 BACK-UP RING		01
06	0503010338	2-342 N 3006-9B O'RING		01
07	0503015636	SCRAPER SEAL		01
08	0503015635	U-CUP SEAL		01
09	0503015634	RING SLYDRING		01
10	0502012642	SUPPORT OF THE RINGS		01
11	0503010345	2-218 N 3006-9B O'RING		01
12	0503015633	SELEMASTER SEALING		01
13	0561016387	PISTON BODY		01
14	0561016389	PISTON BODY		01
15	0502010017	4" HEAD		01
16	0503010817	1.1/4" SELF LOCKING NUT		01

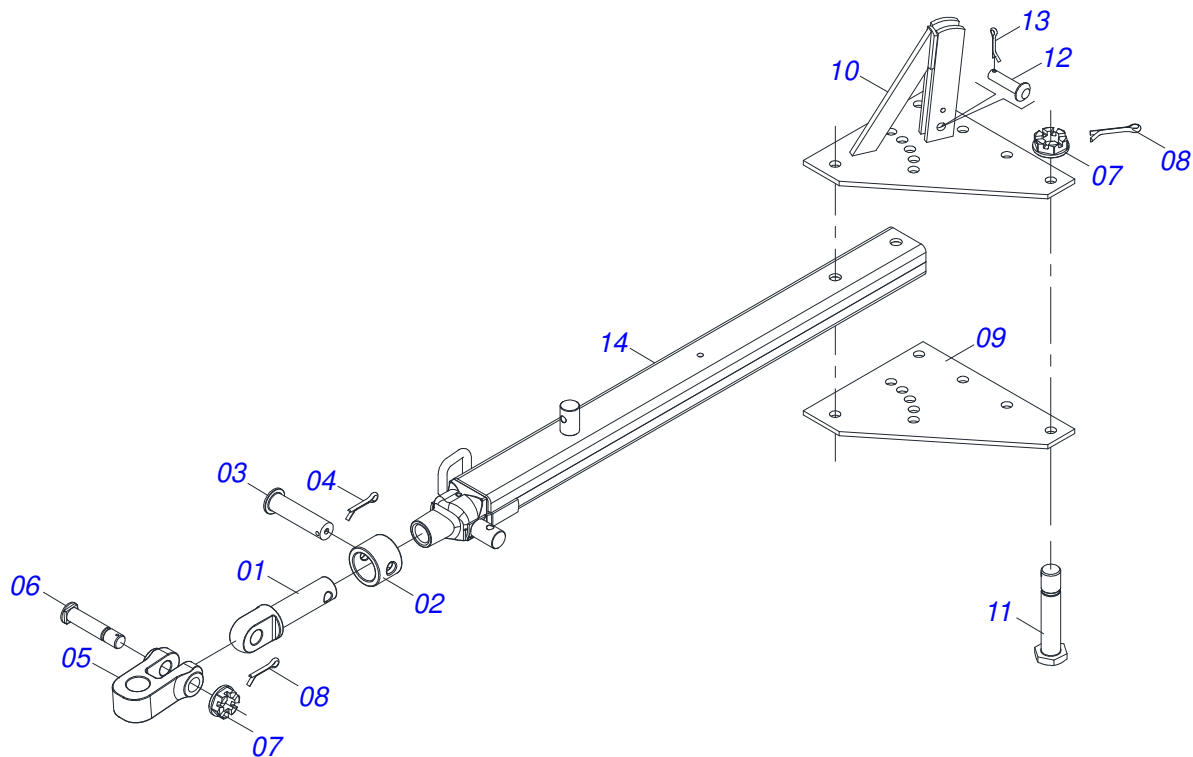


Item	Code	Description	See page	QT
01	0503011627	MALE QUICK COUPLER AGR 1/2 NPT		01
02	0503011882	MALE QUICK COUPLER CAP		01



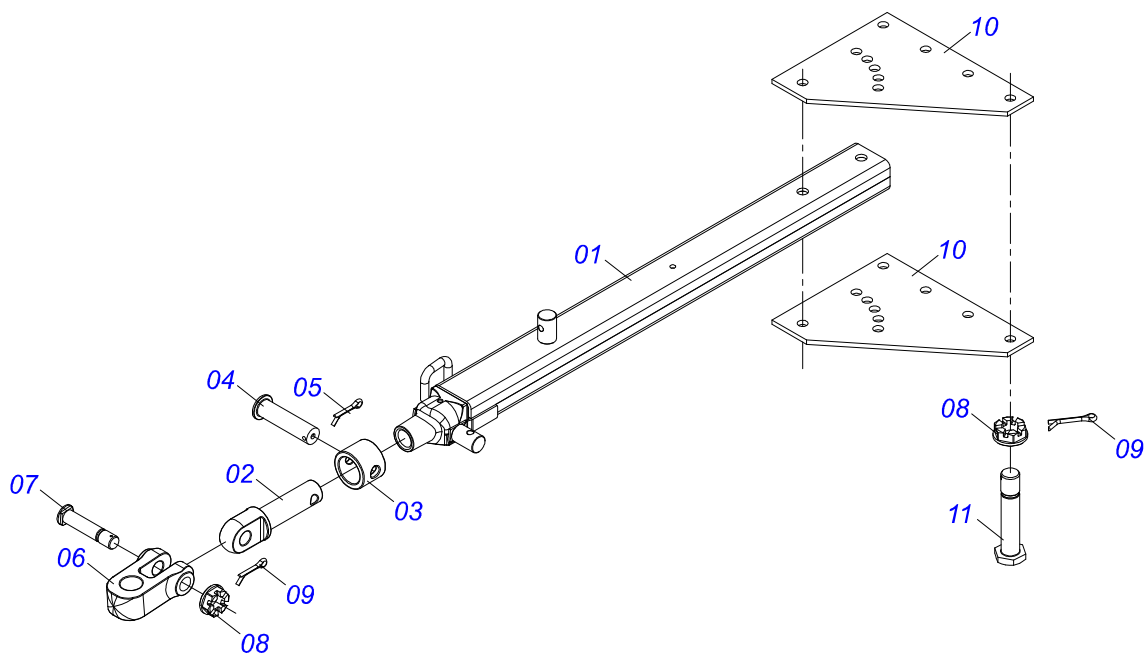
Item	Code	Description	See page	QT
01	0511067334	HOSE SOPPORT ASSY		01
02	0503010014	3/4" NUT		02
03	0501010322	FLAT WASHER		02

DRAWBAR ASSY 3"

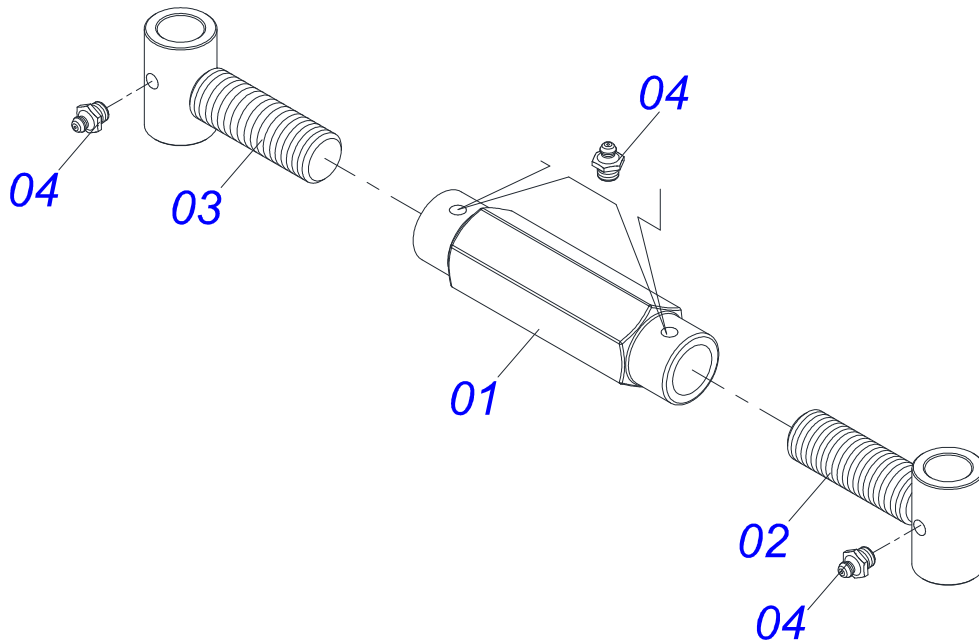


Item	Code	Description	See page	QT
001	0502040223	DRAWBOLT		01
002	0502040327	ANEL TRAVA ENGATE		01
003	0511014902	COUPLING SHAFT		01
004	0503010571	1/4" X 1.1/2 COTTERPIN		01
005	1902040733	U COUPLING HOOK		01
006	0521012545	COUPLING SHAFT		01
007	0501011301	1.1/2 UNC 6FPP 2.5/16 NUT		07
008	0503010010	1/4" X 2.1/2" COTTERPIN		07
009	0511016137	UPPER /LOWER PLATE		01
010	0501067250	UPPER PLATE WITH SUPPORT		01
011	0501016419	1-1/2" X 7.5" BOLT		06
012	0521010779	31.75 X 95 COUPLING SHAFT		01
013	0503010523	1/4" X 2" COTTERPIN		01
014	0501069323	DRAWBAR ASSY		01

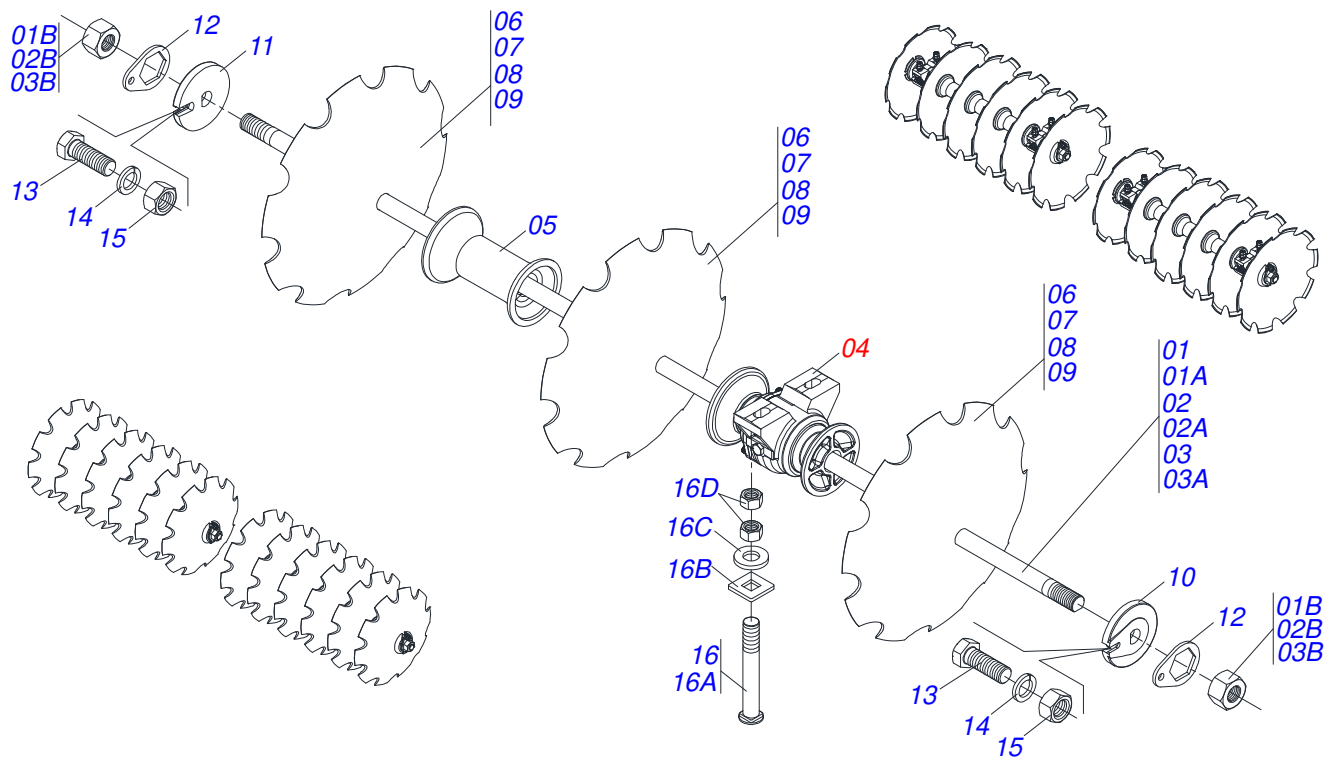
DRAWBAR ASSY



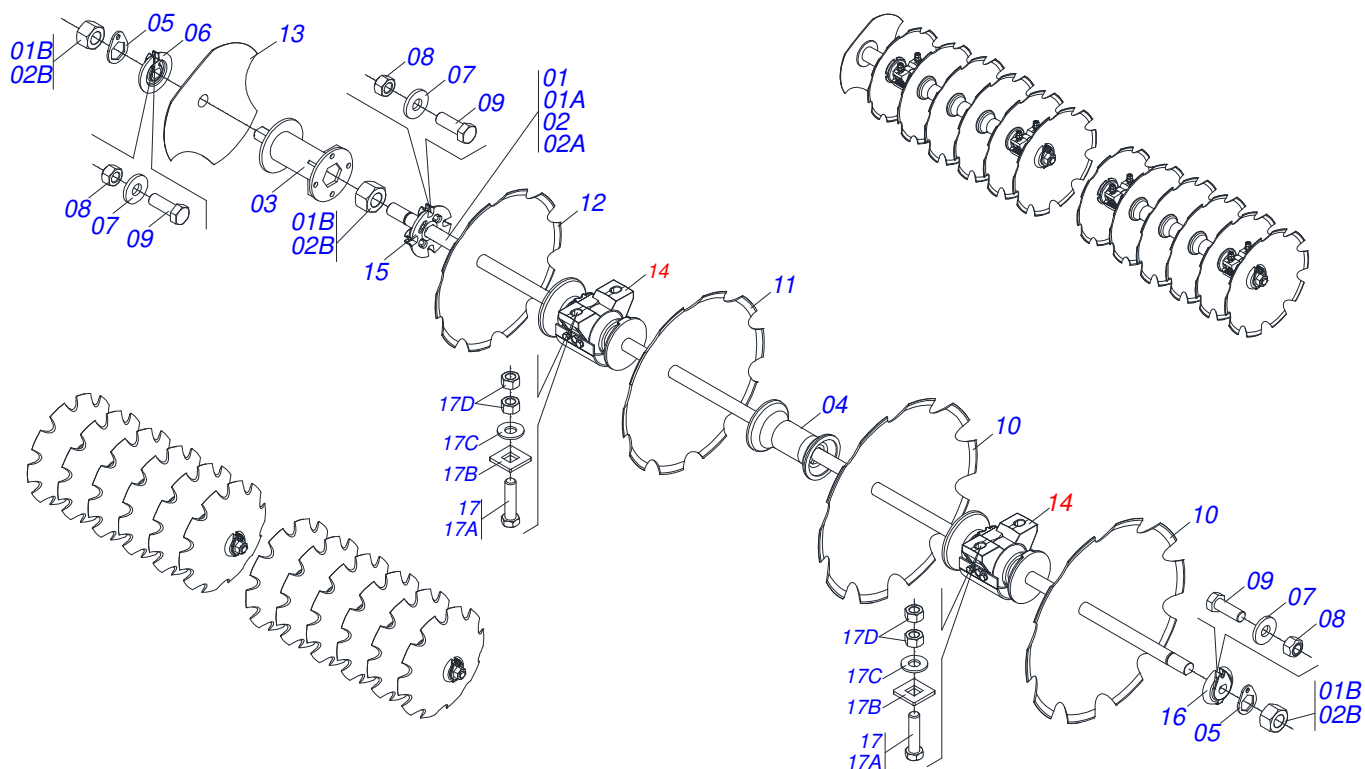
Item	Code	Description	See page	QT
01	0501069323	DRAWBAR ASSY		01
02	1902040223	PIN HITCH		01
03	0502040327	ANEL TRAVA ENGATE		01
04	0511014902	COUPLING SHAFT		01
05	0503010571	1/4" X 1.1/2 COTTERPIN		01
06	0502040732	CLEVIS		01
07	0521012545	COUPLING SHAFT		01
08	0501011301	1.1/2 UNC 6FPP 2.5/16 NUT		07
09	0503010010	1/4" X 2.1/2" COTTERPIN		06
10	0511016137	UPPER /LOWER PLATE		02
11	0501016419	1-1/2" X 7.5" BOLT		06



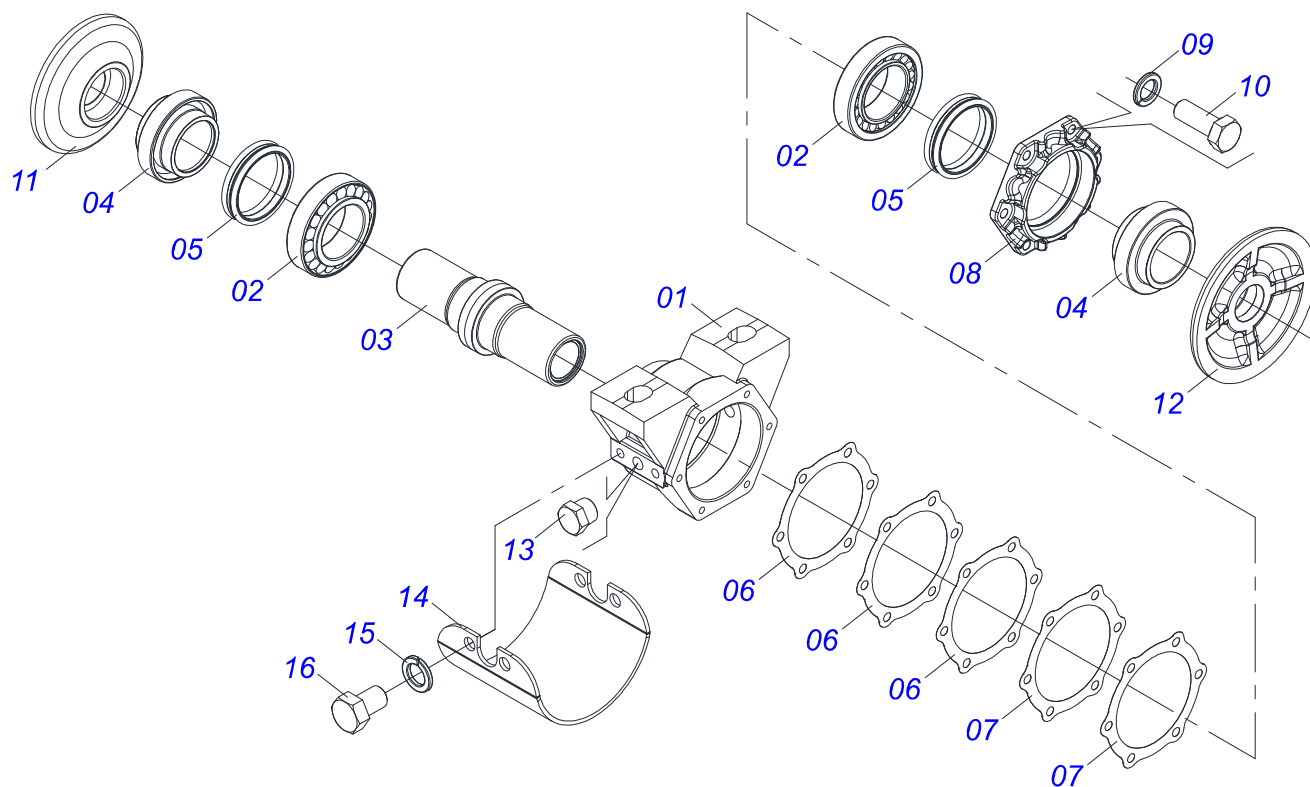
Item	Code	Description	See page	QT
01	0502011469	245 ADJUSTMENT NUT		01
02	0501069416	JACKET		01
03	0501069417	JACK CRANK		01
04	0503010002	1800 GREASE FITTING		04



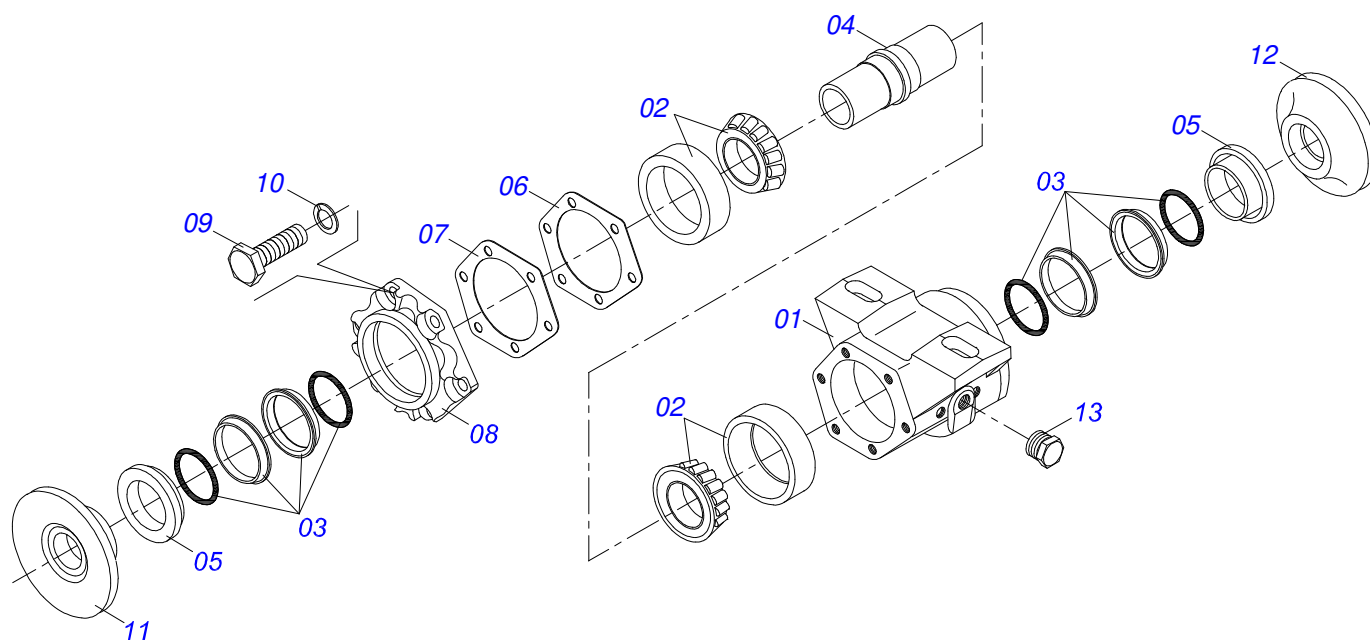
Item	Code	Description	See page	28	32	36	40
01	0501046859	1-5/8" X 70" AXLE WITH NUTS 2-3/4"		04	00	00	00
01A	0501015631	1-5/8" X 70" AXLE		04	00	00	00
01B	0502840640	1.5/8" 2.3/4" NUT		04	00	00	00
02	0501046854	1-5/8" X 48" AXLE WITH NUTS 2-3/4"		00	04	00	08
02A	0501019016	1-5/8 X 48" AXLE		00	04	00	08
02B	0502840640	1.5/8" 2.3/4" NUT		00	04	00	08
03	0501046856	1-5/8" X 59" AXLE WITH NUTS 2-3/4"		00	02	06	00
03A	0501019012	1-5/8" X 59" AXLE		00	02	06	00
03B	0502840640	1.5/8" 2.3/4" NUT		00	02	06	00
04	0501046925	262 X 1-5/8" OIL BATH BRG ASSY,FG	19	08	12	12	16
05	0502010703	10.35" 1-5/8" SPACER		16	14	18	16
06	0602037004	28" X 0.2" NOTCHED DISC BLADE		28	32	36	00
07	0602033005	26" X 0.2" NOTCHED DISC BLADE		00	32	36	40
08	0602037006	DR28X7,5 C102AF04FR1.11/16 10R TATU		00	32	36	40
09	0602040074	30 X 7,5 NOTCHED DISC BLADE		00	00	00	40
10	0502011048	1-5/8" EXTERNAL AXLE WASHER		04	06	06	08
11	0502011047	1-5/8" INNER AXLE WASHER		04	06	06	08
12	0511014339	1-5/8" 2.8" NUT LOCK		08	12	12	16
13	0503011267	BOLT 5/8 UNC X 1.1/2 C S G.5 ZN		08	12	12	16
14	0503010027	5/8" SPRING WASHER		08	12	12	16
15	0503010013	5/8" NUT		08	12	12	16
16	0511040034	3/4" X 3-1/4" BOLT ASSY		16	24	24	32
16A	0501017303	3/4" X 3-1/4" BOLT		16	24	24	32
16B	0501010949	3/4" SQUARE WASHER		16	24	24	32
16C	0501010322	FLAT WASHER		16	24	24	32
16D	0503010014	3/4" NUT		16	24	24	32



Item	Code	Description	See page	32	36	40
01	0501046854	1-5/8" X 48" AXLE WITH NUTS 2-3/4		04	00	08
01A	0501019016	1-5/8 X 48" AXLE		01	00	01
01B	0502040640	1.5/8" 2.3/4" NUT		02	00	02
02	0501046856	1-5/8" X 59" AXLE WITH NUTS 2-3/4		02	06	00
02A	0501019012	1-5/8" X 59" AXLE		01	01	00
02B	0502040640	1.5/8" 2.3/4" NUT		02	02	00
03	0511067146	10.35" AXLE 1-5/8" SPACER		01	01	01
04	0502010703	10.35" 1-5/8" SPACER		14	18	16
05	0511014339	1-5/8" 2.8" NUT LOCK		12	12	16
06	0502011048	1-5/8" EXTERNAL AXLE WASHER		06	06	08
07	0501012140	FLAT WASHER		12	12	16
08	0503012412	5/8 UNC SELF LOCKING NUT		12	12	16
09	0503010232	5/8" X 1.3/4" BOLT		12	12	16
10	0602037006	DR28X7,5 C102AF04FR1.11/16 10R TATU		30	34	38
11	0602033067	26" X 7.5 NOTCHED DISC BLADE		01	01	01
12	0602030236	24" X 7,5 NOTCHED DISC BLADE		01	01	01
13	0602029360	DR22X6 C69AF02FR1.11/16 03REC TATU		01	01	01
14	0501048457	262MM X 1.5/8" RD OIL BATH BEARING	18	12	12	16
15	0502012377	1-5/8" EXTERNAL AXLE LOK		01	01	01
16	0502011047	1-5/8" INNER AXLE WASHER		06	06	08
17	0511040034	3/4" X 3-1/4" BOLT ASSY		04	04	04
17A	0501017303	3/4" X 3-1/4" BOLT		01	01	01
17B	0501010949	3/4" SQUARE WASHER		01	01	01
17C	0503010014	3/4" NUT		02	02	02
17D	0501010322	FLAT WASHER		01	01	01



Item	Code	Description	See page	QT
01	0502020636	8.8" X 1-5/8" OIL HOUSING BEARING		01
02	0503013496	3982/3920 ROLLER BEARING		02
03	0502010740	AXLE TK		01
04	0502010736	SEAL RETAINER		02
05	0503030027	DUO-CONE SEAL		02
06	0503030030	5.6" X 4.4" X 0.01" GASKET		03
07	0503030685	5.5" X 4.4" X 0.003" GASKET		02
08	0502020161	WEAR PLATE BEARING		01
09	0503011443	3/8" SPRING WASHER		06
10	0503010237	3/8" X 1" BOLT		06
11	0502040240	INNER FLANGE		01
12	0502040239	OUTER FLANGE		01
13	0503010856	OIL PLUG		02
14	0521012933	BEARING WEAR PLATE		01
15	0503010019	1/2" SPRING WASHER		04
16	0503011401	1/2" X 3/4" BOLT		04



Item	Code	Description	See page	QT
01	0502020481	HOUSING DM		01
02	0503010005	32212 ROLLER BEARING		02
03	0503030027	DUO-CONE SEAL		02
04	0502010900	BEARING AXLE		01
05	0502010735	SEAL RETAINER		02
06	0503030030	5.6" X 4.4" X 0.01" GASKET		02
07	0503030685	5.5" X 4.4" X 0.003" GASKET		02
08	0502020161	WEAR PLATE BEARING		01
09	0503010237	3/8" X 1" BOLT		06
10	0503011443	3/8" SPRING WASHER		06
11	0502040239	OUTER FLANGE		01
12	0502040240	INNER FLANGE		01
13	0503010856	OIL PLUG		01



www.marchesan.com.br



Technical Publications | Elaboration and Revision
ALESSANDRA PATRICIA KAWAHARA CARRILI