

PARTS CATALOG

CHASER BIN

DCA2 7500 MC WITH DEFLECTOR

Code: 0501091955



Series: S-0598

Rev.: 00

Date Rev.: JULHO/2017

ORIGINAL PARTS
TATU



PRODUCTS

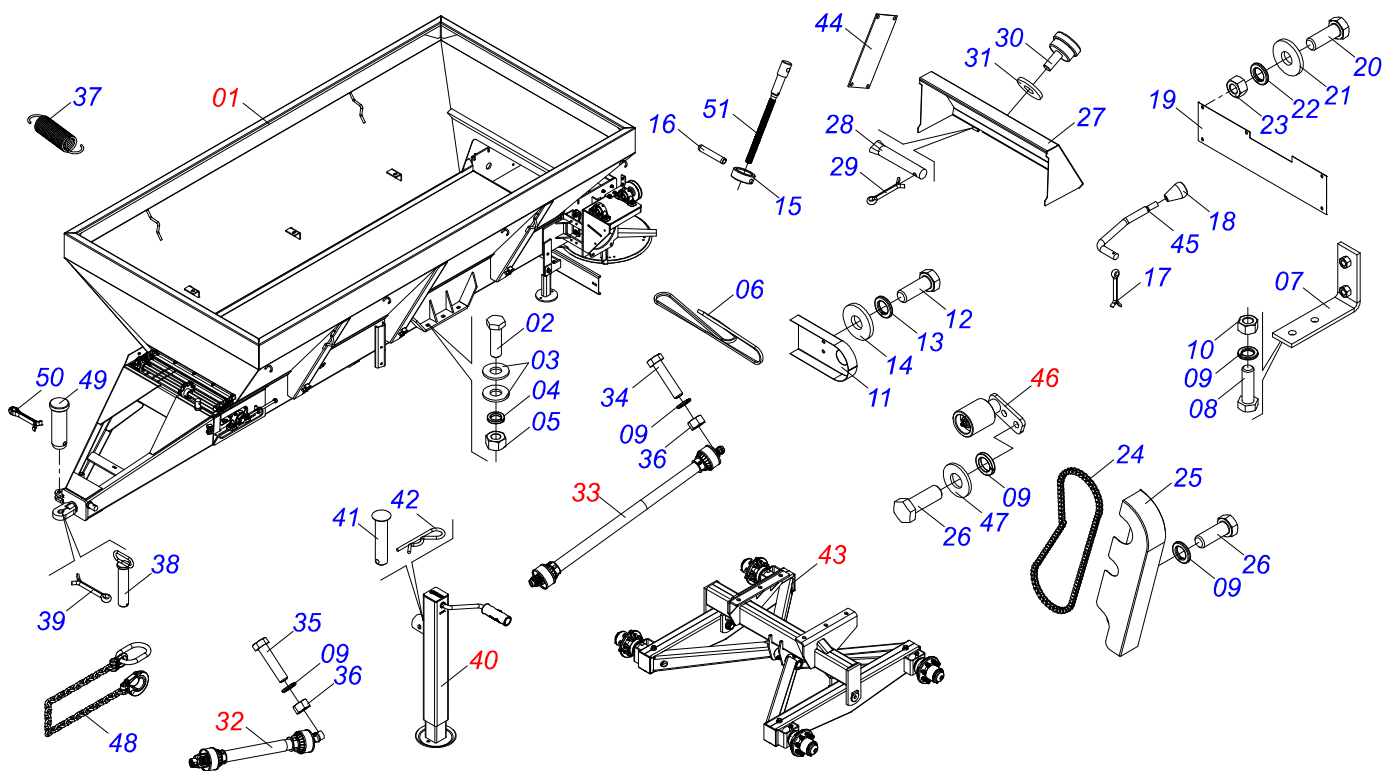
Code	Description
0109090098	DCA2 7500 MC C/DEFLETOR S-0598

ATTENTION: **IMPORTANT**

MARCHESAN S/A RESERVES THE RIGHT AT ANY TIME TO MAKE IMPROVEMENTS IN THE DESIGN, MATERIAL OR SPECIFICATIONS OF MACHINERY, EQUIPMENT OR PARTS WITHOUT THEREBY BECOMING LIABLE TO MAKE SIMILAR CHANGES IN MACHINERY, EQUIPMENT OR PARTS PREVIOUSLY SOLD.

INDEX

0511045186	FRAME ASSY	1
0501057220	ASSY HUNTER WITH DEFLECTOR	2
0511059305	REAR PROTECTION WITH MINOR PROTECTOR	3
0501054846	SLUICE VALVE SUPPORT	4
0511059094	SHAFT BEARING THREADED	5
0501054847	SLUICE VALVE COVER ASSY	6
0501044308	AGRICULTURAL BEARING ASSY	7
0501047985	REDUCER	8
0501051774	38Z CONICAL	9
0501046802	BELT TENSIONER ASSY	10
0501051782	RIGHT BEARING SUPPORT DISC	11
0501051783	LEFT BEARING SUPPORT DISC	12
0501048000	AGRICULTURAL BEARING	13
0501051972	DISTRIBUTOR RIGHT DISC ASSY	14
0501051973	DISTRIBUTOR LEFT DISC ASSY	15
0511041213	AGRICULTURAL BEARING	16
0501056885	CARDAN LEVER SUPPORT	17
0501044306	BATH BEARING	18
0501048241	DRIVE SHAFT	19
0501048200	DRIVE SHAFT	20
0503062157	HEADER JACK	21
0501048785	BELL CRANK FIXATION SUPPORT ASSY	22
0501051142	CARRYING WHEEL HUB	23
0501050829	CHAIN TENSIONER	24
0503060181	WHEEL AND TIRE	25
0909093413	KIT WITH BRAKE	26
0909090358	DAMPER	27



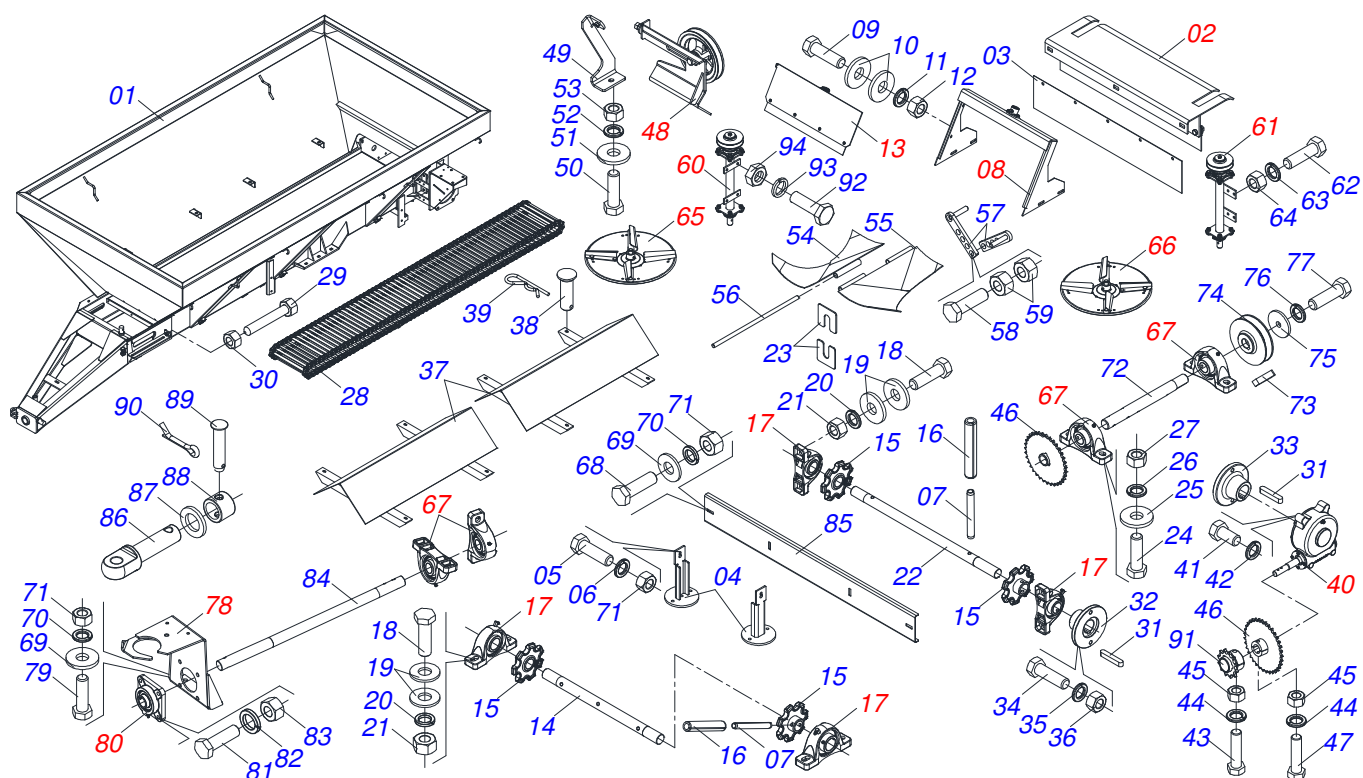
Item	Code	Description	See page	QT
01	0501057220	ASSY HUNTER WITH DEFLECTOR	2	01
02	0503010899	5/8" X 2-1/4" BOLT		06
03	0501012140	FLAT WASHER		12
04	0503010027	SPRING WASHER		06
05	0503010013	5/8" NUT		06
06	0503010154	C-128 BELT		01
07	0501069225	BELT PROTECTION FIXER		01
08	0503010237	3/8" X 1" BOLT		02
09	0503010025	3/8 SPRING WASHER		02
10	0503010026	3/8" NUT		02
11	0521011062	BELT PROTECTION SIDE		01
12	0503010237	3/8" X 1" BOLT		02
13	0503010025	3/8 SPRING WASHER		02
14	0501010984	FLAT WASHER		02
15	0511013015	SLEEVE		01
16	0503010561	SPRING PIN		01
17	0503010257	1/8" X 1" COTTERPIN		01
18	0503030878	LEVER CRANK		01
19	0501019460	REAR PROTECTION		01
20	0503010237	3/8" X 1" BOLT		05
21	0501010984	FLAT WASHER		05
22	0503010025	3/8 SPRING WASHER		05
23	0503010026	3/8" NUT		05
24	0503013003	50-1 CHAIN X 79 LINK + REDUCTION + MENDING		01
25	0501069179	CARRY-WHEEL CHAIN PROTECTION CAP		01
26	0503010237	3/8" X 1" BOLT		02
27	0501069840	REAR COVER PROTECTION		01
28	0501017574	0.3" X 2.7" AXLE		02
29	0503010140	1/8" X 3/4" COTTERPIN		02
30	0503010386	CABLE		01
31	0501010984	FLAT WASHER		01



FRAME ASSY

0511045186

Item	Code	Description	See page	QT
32	0501048241	DRIVE SHAFT	19	01
33	0501048200	DRIVE SHAFT	20	01
34	0503011268	3/8" X 2-1/2" BOLT		02
35	0503010765	3/8" X 3" BOLT		01
36	0503010026	3/8" NUT		06
37	0503030198	0.6" X 2.4" X 0.1" EXTENSION SPRING		01
38	0501069080	COUPLING SHAFT		01
39	0503010534	3/8 X 2-1/2 COTTERPIN		01
40	0503062157	HEADER JACK	21	01
41	0521010549	COUPLING SHAFT		01
42	0503030168	HAIR PIN		01
43	0501048785	BELL CRANK FIXATION SUPPORT ASSY	22	01
44	0503030751	REGULATOR PLATE		01
45	0521011107	CRANK BODY		01
46	0501050829	CHAIN TENSIONER	24	01
47	0501010984	FLAT WASHER		04
48	0503013150	1300 X 3/8 CHAIN		01
49	0581011220	COUPLING SHAFT		01
50	0503010131	3/16" X 1-1/2" COTTERPIN		01
51	0561014861	REGULATOR		01



Item	Code	Description	See page	QT
01	0511067811	FRAME WITH HUNTER WITH DEFLECTOR		01
02	0511059305	REAR PROTECTION WITH MINOR PROTECTOR	3	01
03	0511011866	PROTECTION LARGER		01
04	0521067015	SUPPORT PROTETION DISC		02
05	0503010920	1/2" X 1.1/2" BOLT		02
06	0503011440	SPRING WASHER		02
07	0503010756	0.2" X 2.4" SPRING PIN		04
08	0501054846	SLUICE VALVE SUPPORT	4	01
09	0503010751	C3/8" X 1.1/4" HEX BOLT G.5		04
10	0501010984	FLAT WASHER		08
11	0503011443	SPRING WASHER		04
12	0503010026	3/8" NUT		04
13	0501054847	SLUICE VALVE COVER ASSY	6	01
14	0511016482	DRIVEN AXLE		01
15	0502040728	7Z GEAR		04
16	0503010361	SPRING PIN		04
17	0501044308	AGRICULTURAL BEARING ASSY	7	04
18	0503010233	5/8" X 2-1/2" BOLT		04
19	0501012140	FLAT WASHER		08
20	0503011445	SPRING WASHER		04
21	0503010013	5/8" NUT		04
22	0511016481	MOTOR SHAFT		01
23	0501010794	HIDR CHOCK REGULATOR		04
24	0503010740	1/2" X 2" BOLT		04
25	0511017302	FLAT WASHER		04
26	0503011440	SPRING WASHER		04
27	0503010060	1/2" NUT		04
28	0501067378	DRIVE THE FERTILIZER TRANSPORT		01
29	0501067853	ROD STABILIZER		02
30	0503010013	5/8" NUT		02
31	0501010540	KEYWAY SQUARE		02



**DCA2 7500 MC WITH DEFLECTOR
ASSY HUNTER WITH DEFLECTOR**

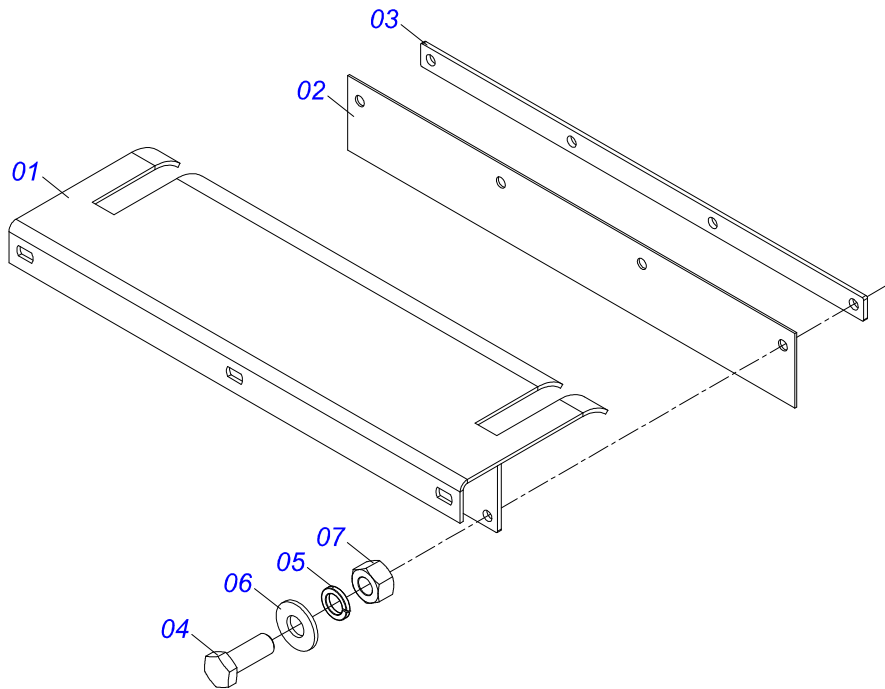
Item	Code	Description	See page	QT
32	0511016540	MAT COUPLING FLANGE		01
33	0511016541	REDUCTION COUPLING FLANGE		01
34	0503010849	3/8" X 1-1/2" BOLT		02
35	0503011443	SPRING WASHER		02
36	0503010026	3/8" NUT		02
37	0511065110	STAINLESS STEEL DEFLECTOR		02
38	0521017623	0.5" X 1.5" COUPLING SHAFT		08
39	0503030168	HAIR PIN		08
40	0501047985	REDUCER	8	01
41	0503011167	M16 X 2 X 30 BOLT		04
42	0503011445	SPRING WASHER		04
43	0503011268	3/8" X 2-1/2" BOLT		01
44	0503011443	SPRING WASHER		02
45	0503010026	3/8" NUT		02
46	0501069020	35Z GEAR		02
47	0503011268	3/8" X 2-1/2" BOLT		01
48	0501046802	BELT TENSIONER ASSY	10	01
49	0511060909	PROTECTION REAR SUPPORT FIXER		01
50	0503010920	1/2" X 1.1/2" BOLT		03
51	0511017302	FLAT WASHER		03
52	0503011440	SPRING WASHER		03
53	0503010060	1/2" NUT		03
54	0501067203	RIGHT FLOW DIVIDING		01
55	0501067361	LEFT FLOW DIVIDING		01
56	0511016530	TENSIONER OPEN		01
57	0501067368	DIVISOR REGULATOR OPEN		02
58	0503010849	3/8" X 1-1/2" BOLT		01
59	0503010026	3/8" NUT		02
60	0501051782	RIGHT BEARING SUPPORT DISC	11	01
61	0501051783	LEFT BEARING SUPPORT DISC	12	01
62	0503010920	1/2" X 1.1/2" BOLT		08
63	0503011440	SPRING WASHER		08
64	0503010060	1/2" NUT		08
65	0501051972	DISTRIBUTOR RIGHT DISC ASSY	14	01
66	0501051973	DISTRIBUTOR LEFT DISC ASSY	15	01
67	0511041213	AGRICULTURAL BEARING	16	03
68	0503010740	1/2" X 2" BOLT		04
69	0511017302	FLAT WASHER		16
70	0503011440	SPRING WASHER		16
71	0503010060	1/2" NUT		17
72	0521011063	TRANSMISSION AXLE		01
73	0501010536	KEYWAY SQUARE		01
74	0502011361	REEL 1C 5.5" X 1.1" PULLEY		01
75	0511014052	FLAT WASHER		01
76	0503011446	SPRING WASHER		01
77	0503010355	7/16" X 1" BOLT		01
78	0501056885	CARDAN LEVER SUPPORT	17	01
79	0503010920	1/2" X 1.1/2" BOLT		04
80	0501044306	BATH BEARING	18	01
81	0503011102	PARAFUSO 7/16 UNC X 1.1/4 C S G.5		04
82	0503011446	SPRING WASHER		04
83	0503010244	7/16" NUT		04
84	0521012415	2220 TRANSMITTER AXLE		01
85	0501019838	BAMPER		01
86	0501069632	TRACTOR HITCH		01
87	0501015875	FLAT WASHER		01
88	0521010681	BUSHING COUPLING BODY		01
89	0521010639	COUPLING SHAFT		01
90	0503010571	1/4" X 1.1/2 COTTERPIN		01



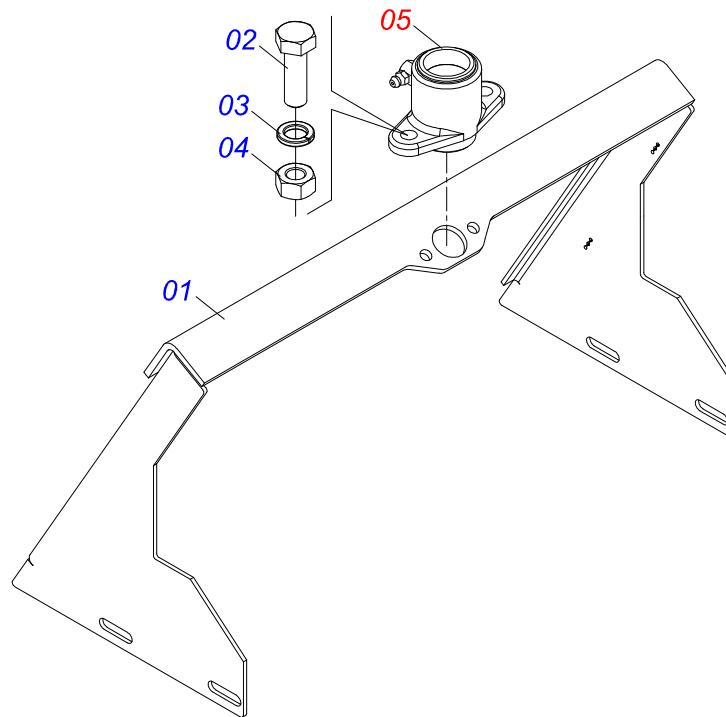
**DCA2 7500 MC WITH DEFLECTOR
ASSY HUNTER WITH DEFLECTOR**

Page 2
0501057220

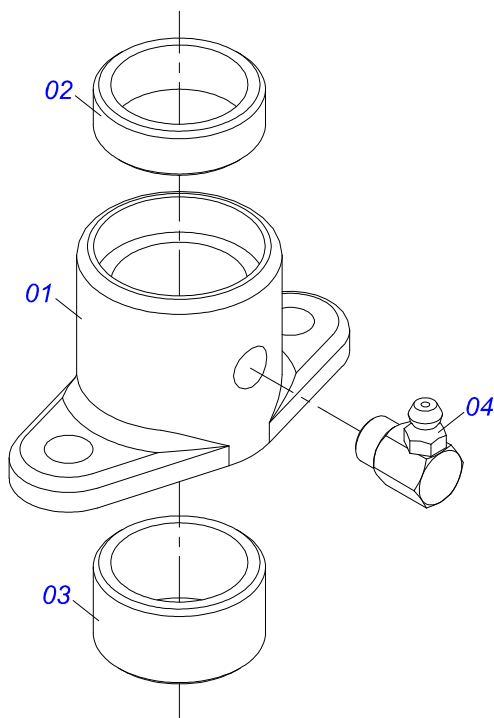
Item	Code	Description	See page	QT
91	0501069017	12Z GEAR		01
92	0503010920	1/2" X 1.1/2" BOLT		04
93	0503010019	1/2" SPRING WASHER		04
94	0503010060	1/2" NUT		04



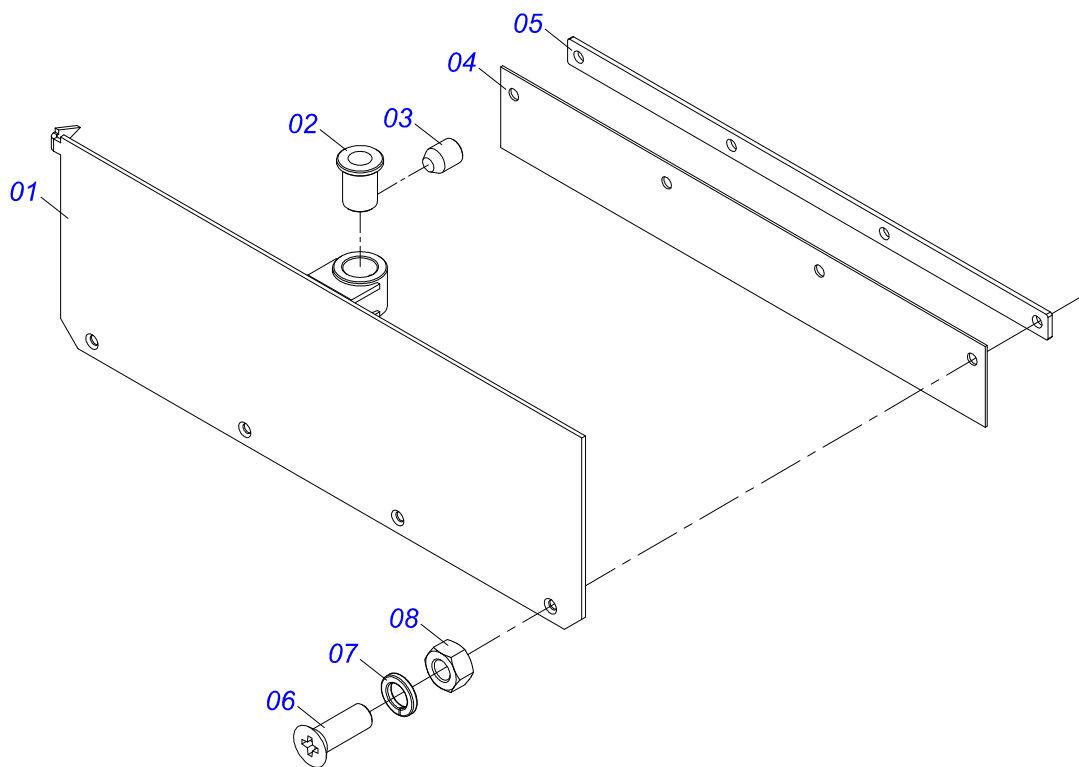
Item	Code	Description	See page	QT
01	0501067379	MAT REAR PROTECTION		01
02	0511014562	PROTECTION SMALLER		01
03	0511016575	RUBBER COVER FIXER		01
04	0503010237	3/8" X 1" BOLT		04
05	0503011443	SPRING WASHER		04
06	0501010984	FLAT WASHER		04
07	0503010026	3/8" NUT		04



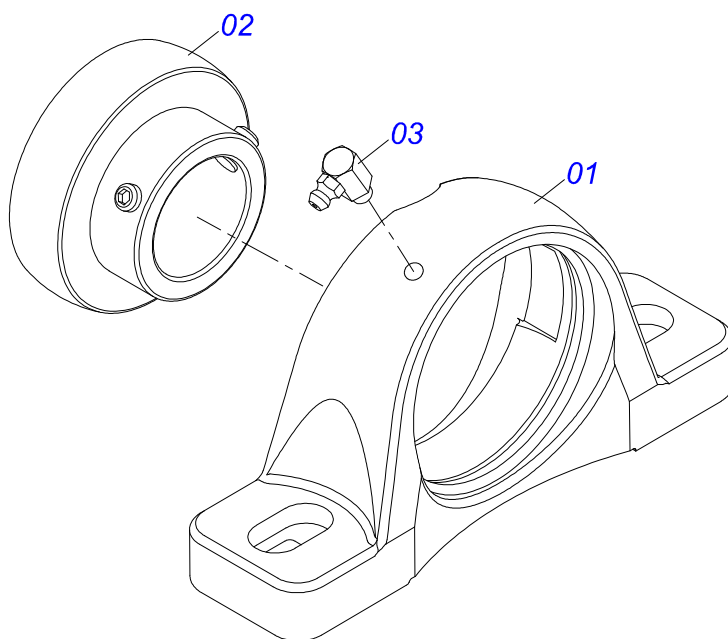
Item	Code	Description	See page	QT
01	0501069841	SLUICE VALVE SUPPORT		01
02	0503010371	5/16" X 1" BOLT		02
03	0503011444	SPRING WASHER		02
04	0503010337	5/16" NUT		02
05	0511059094	SHAFT BEARING THREADED	5	01



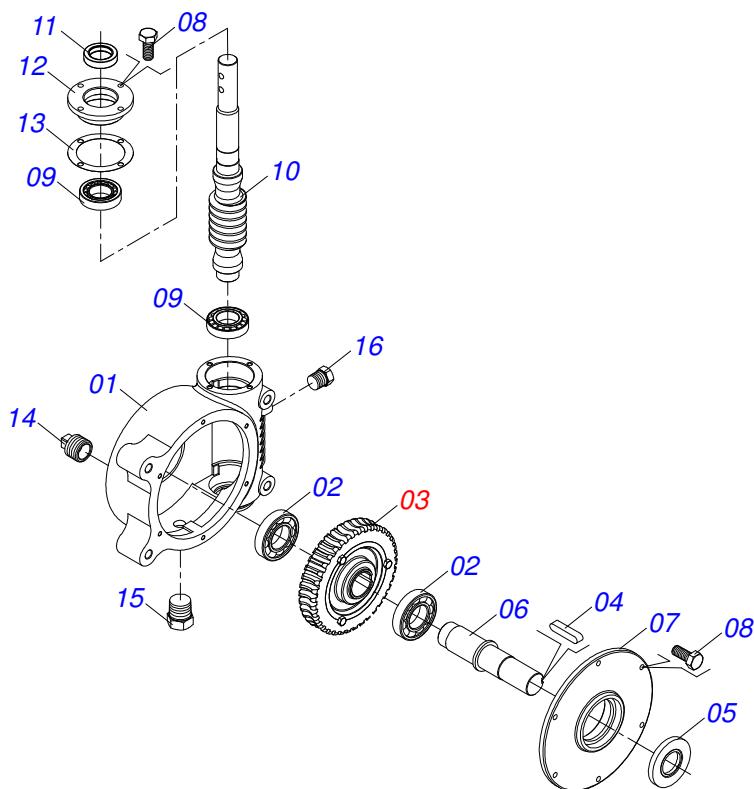
Item	Code	Description	See page	QT
01	0502010581	ROD BEARING		01
02	0521010458	SLEEVE		01
03	0521010457	SLEEVE		01
04	0503010004	1890 GREASE FITTING		01



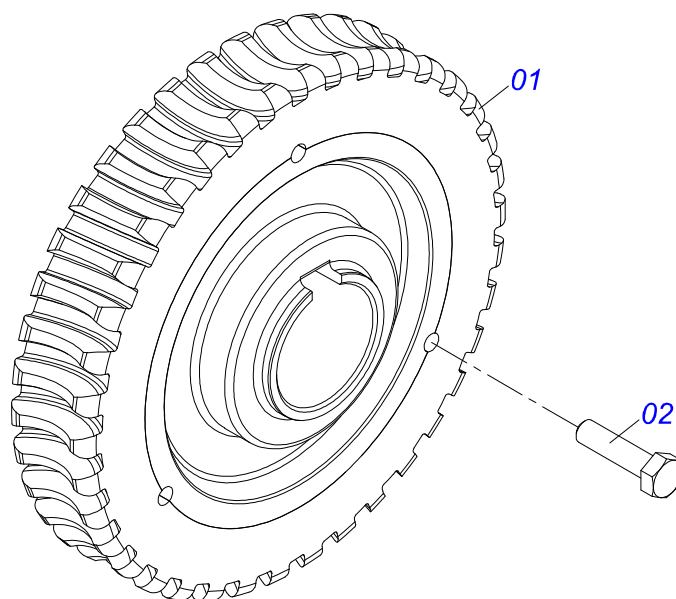
Item	Code	Description	See page	QT
01	0501069181	SLUICE VALVE COVER		01
02	0501019831	ADJUSTING NUT		01
03	0503011148	3/8" X 1/2" BOLT		01
04	0511014562	PROTECTION SMALLER		01
05	0511016575	RUBBER COVER FIXER		01
06	0503010546	5/16" X 7/8" BOLT		04
07	0503011444	SPRING WASHER		04
08	0503010337	5/16" NUT		04



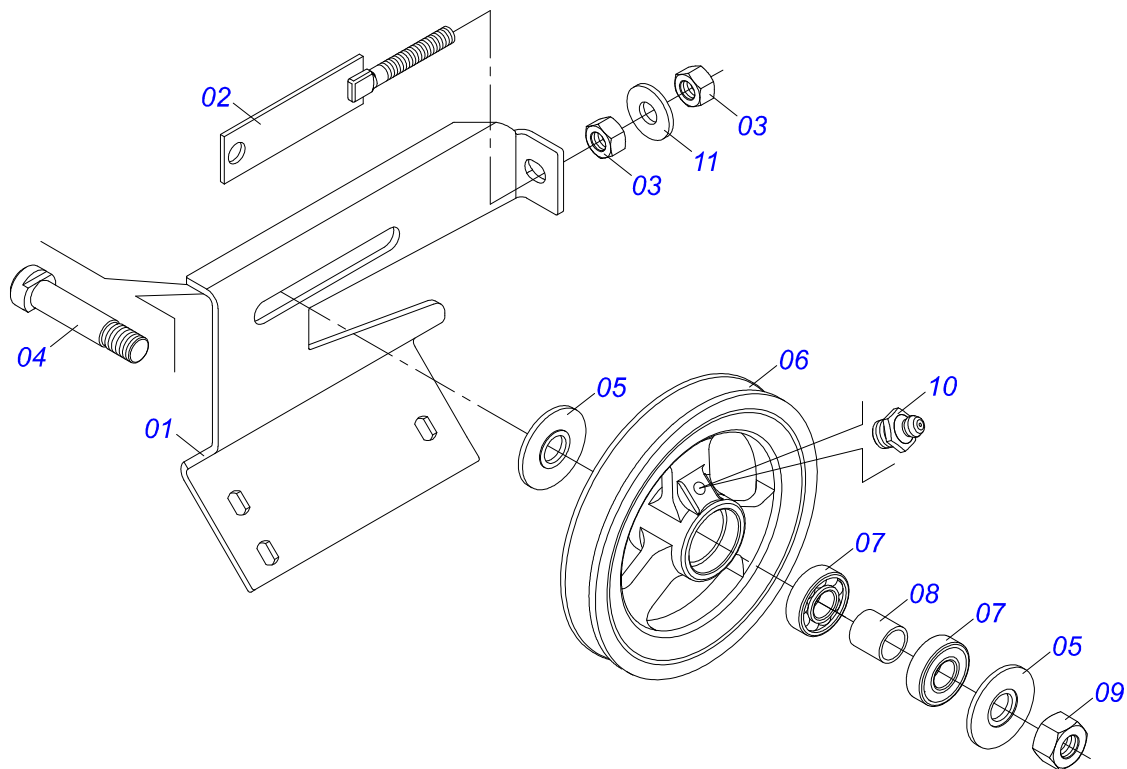
Item	Code	Description	See page	QT
01	0502011050	AGRICULTURAL HOUSING BEARING		01
02	0503011163	1108/UCR BEARING ASSY		01
03	0503010004	1890 GREASE FITTING		01



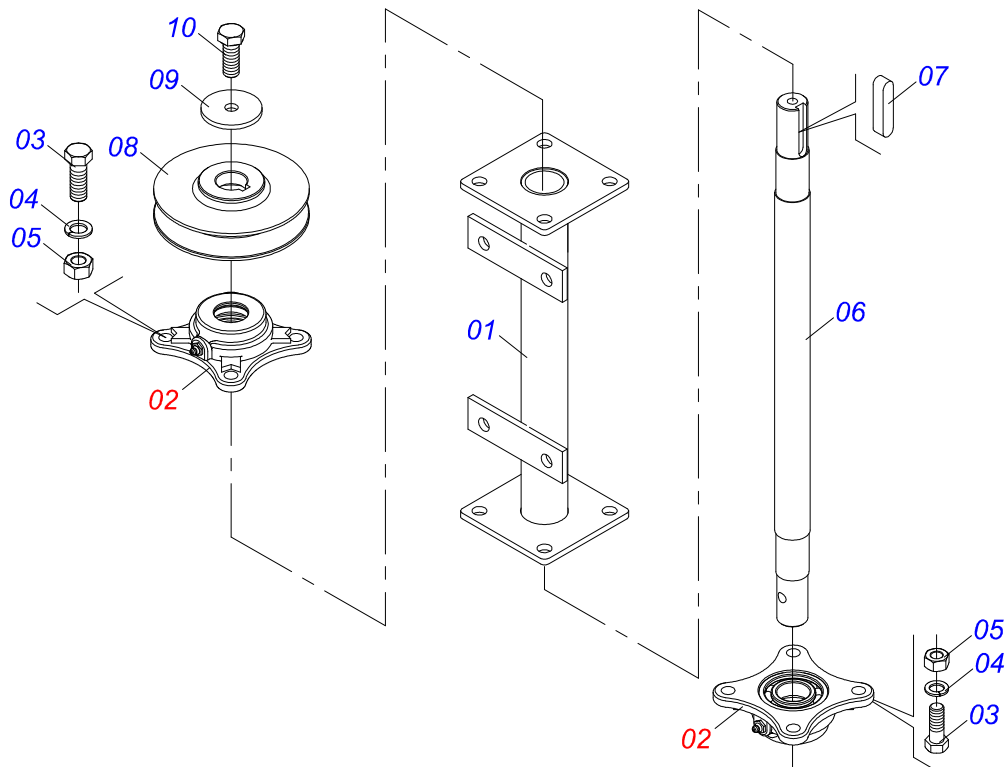
Item	Code	Description	See page	QT
01	0502011456	REDUCTION BOX		01
02	0503011095	6208 BALL BEARING		02
03	0501051774	38Z CONICAL	9	01
04	0503011304	1/2" X 2.4" KEYWAY SQUARE		01
05	0503010818	02675-BRG SEAL		01
06	0521010996	AXLE		01
07	0502020556	LARGER COVER		01
08	0503010240	5/16" X 3/4" BOLT		10
09	0503010016	BEARING LM		02
10	0521010997	SCREW THEAD		01
11	0503011171	00912-BRG SEAL		01
12	0502011457	SMALLER COVER		01
13	0503030981	102 X 75,5 X 0,10 JOINT		01
14	0521011023	PLUG		01
15	0503031604	1/2" BSP PLUG		01
16	0503010856	OIL PLUG		01



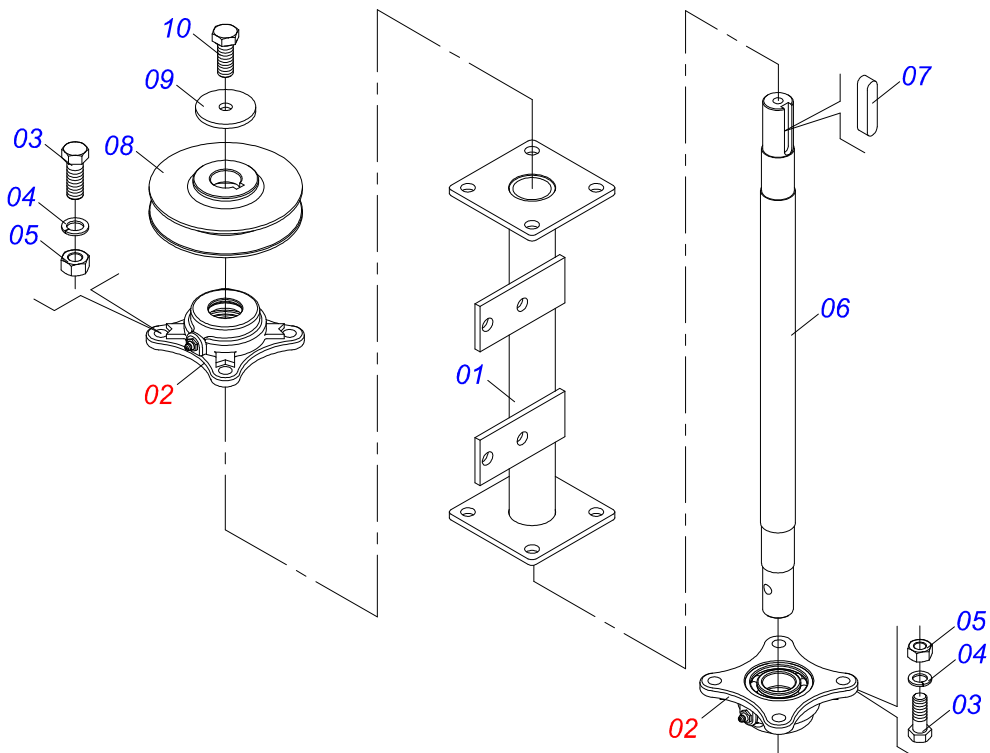
Item	Code	Description	See page	QT
001	0501110280	38Z CONICAL		01
002	0503010365	NUT		03



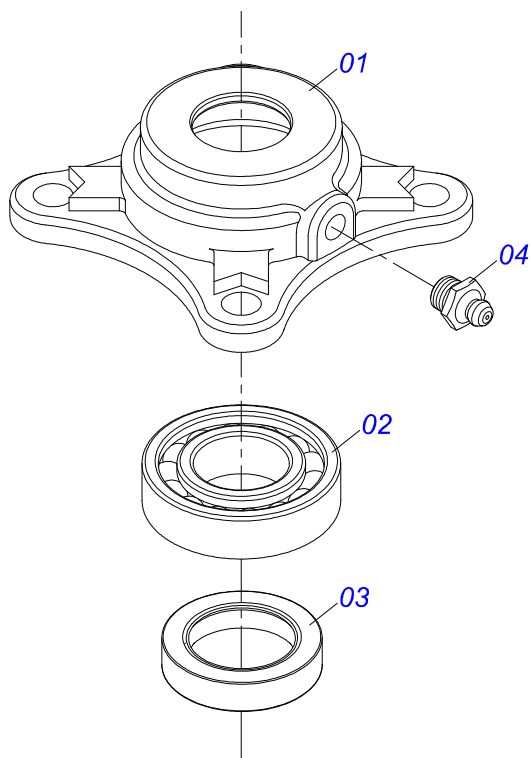
Item	Code	Description	See page	QT
01	0501066100	SUPPORT		01
02	0501065968	1C X 8.3 PULLEY TENSIONER		01
03	0503010013	5/8" NUT		02
04	0511012362	TIGHTENER AXLE PULLEY		01
05	0501019288	WASHER SPACER		02
06	0502011366	REEL 1C 8.3" X 1.6" PULLEY		01
07	0503010690	6204 BALL BEARING		02
08	0521010497	0.8" X 1.1" X 1.1" SPACER		01
09	0503010014	3/4" NUT		01
10	0503010002	1800 GREASE FITTING		01
11	0501012140	FLAT WASHER		01



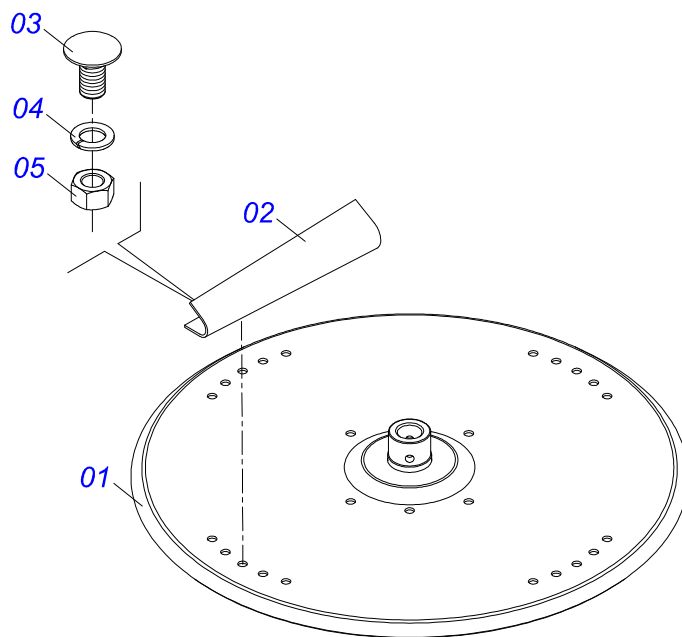
Item	Code	Description	See page	QT
01	0501067387	DISTRIBUTOR RIGHT SUPPORT DISC		01
02	0501048000	AGRICULTURAL BEARING	13	02
03	0503011102	PARAFUSO 7/16 UNC X 1.1/4 C S G.5		08
04	0503011446	SPRING WASHER		08
05	0503010244	7/16" NUT		08
06	0511016489	DISTRIBUTOR AXLE CONDUCTOR DISC		01
07	0501010536	KEYWAY SQUARE		01
08	0502011361	REEL 1C 5.5" X 1.1" PULLEY		01
09	0511014052	FLAT WASHER		01
10	0503010355	7/16" X 1" BOLT		01



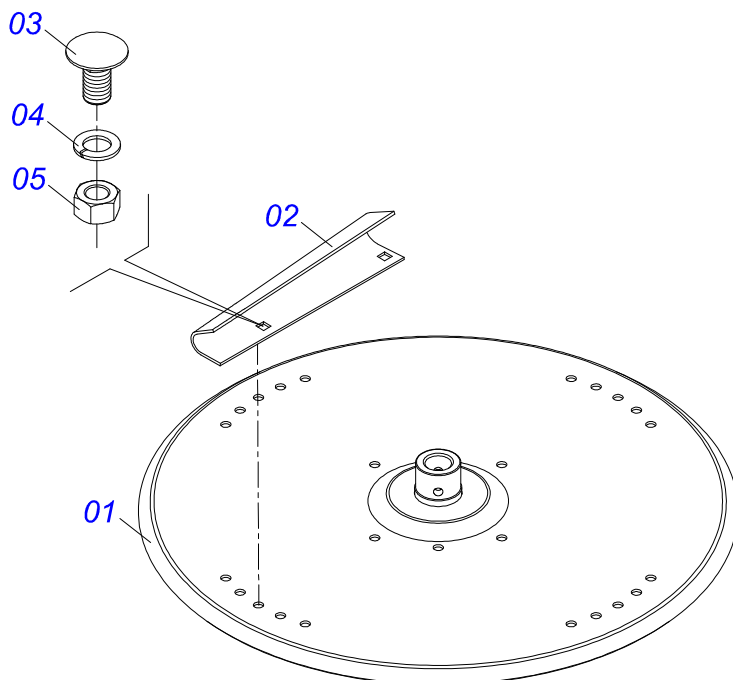
Item	Code	Description	See page	QT
01	0501067388	DISTRIBUTOR LEFT SUPPORT DISC		01
02	0501048000	AGRICULTURAL BEARING	13	02
03	0503011102	PARAFUSO 7/16 UNC X 1.1/4 C S G.5		08
04	0503011446	SPRING WASHER		08
05	0503010244	7/16" NUT		08
06	0511016489	DISTRIBUTOR AXLE CONDUCTOR DISC		01
07	0501010536	KEYWAY SQUARE		01
08	0502011361	REEL 1C 5.5" X 1.1" PULLEY		01
09	0511014052	FLAT WASHER		01
10	0503010355	7/16" X 1" BOLT		01



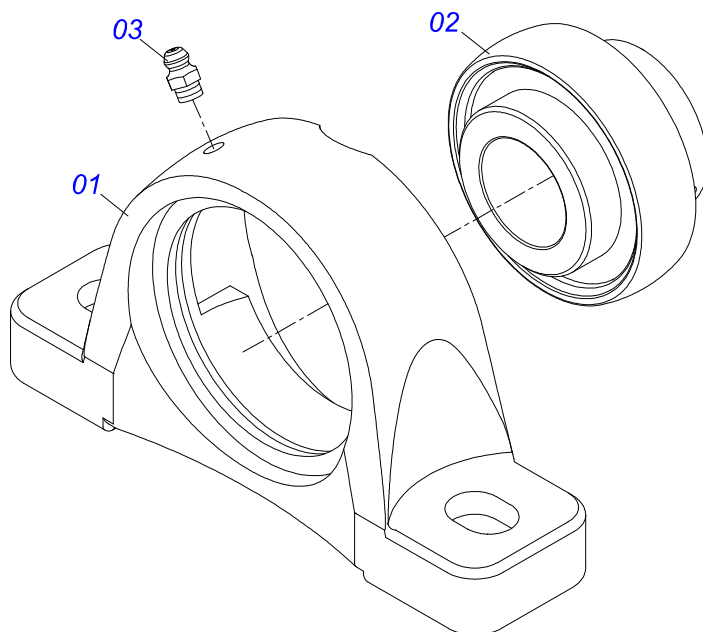
Item	Code	Description	See page	QT
01	0502011442	AGRICULTURAL HOUSING BEARING		01
02	0503010276	6206 BALL BEARING		01
03	0503011865	SEAL		01
04	0503010002	1800 GREASE FITTING		01



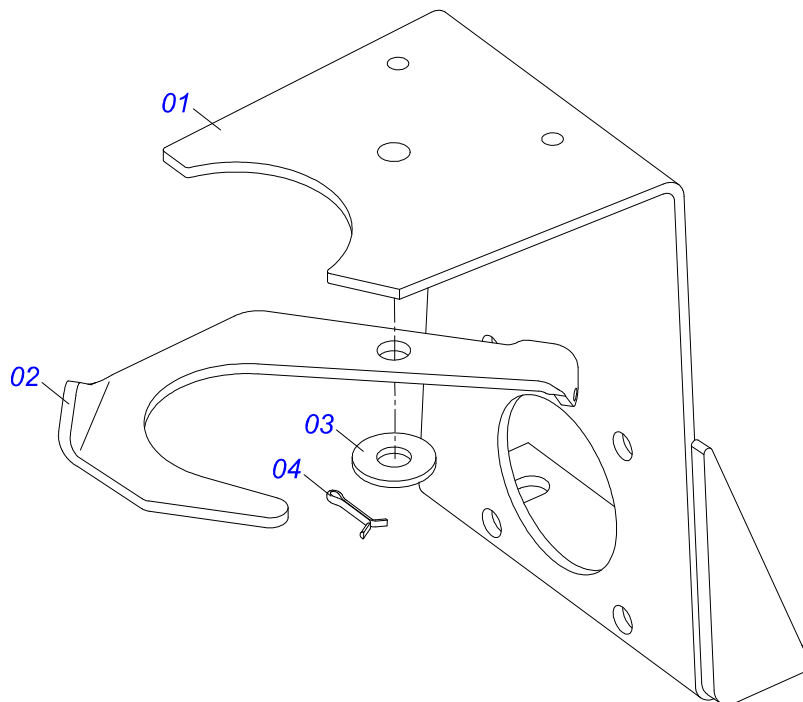
Item	Code	Description	See page	QT
01	0501069605	DISTRIBUTOR DISC		01
02	0521018637	RH FLIP		04
03	0503013029	3/8" X 3/4" BOLT		08
04	0503011443	SPRING WASHER		08
05	0503010026	3/8" NUT		08



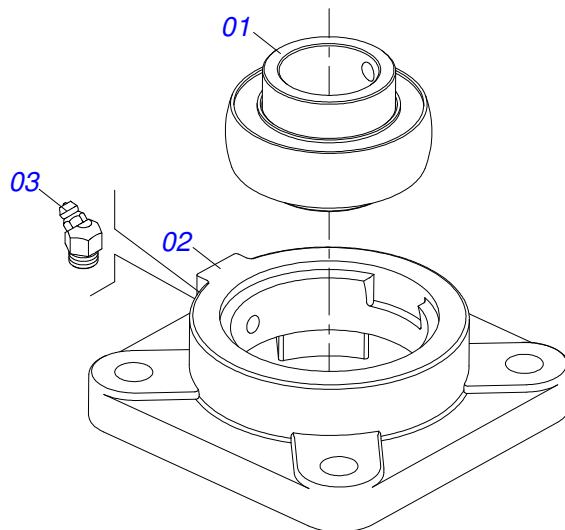
Item	Code	Description	See page	QT
01	0501069605	DISTRIBUTOR DISC		01
02	0521018638	LH FLIP		04
03	0503013029	3/8" X 3/4" BOLT		08
04	0503011443	SPRING WASHER		08
05	0503010026	3/8" NUT		08



Item	Code	Description	See page	QT
01	0502011954	AGRICULTURAL HOUSING BEARING		01
02	0503011884	BALL BEARING		01
03	0503010691	1/4" GREASE FITTING		01

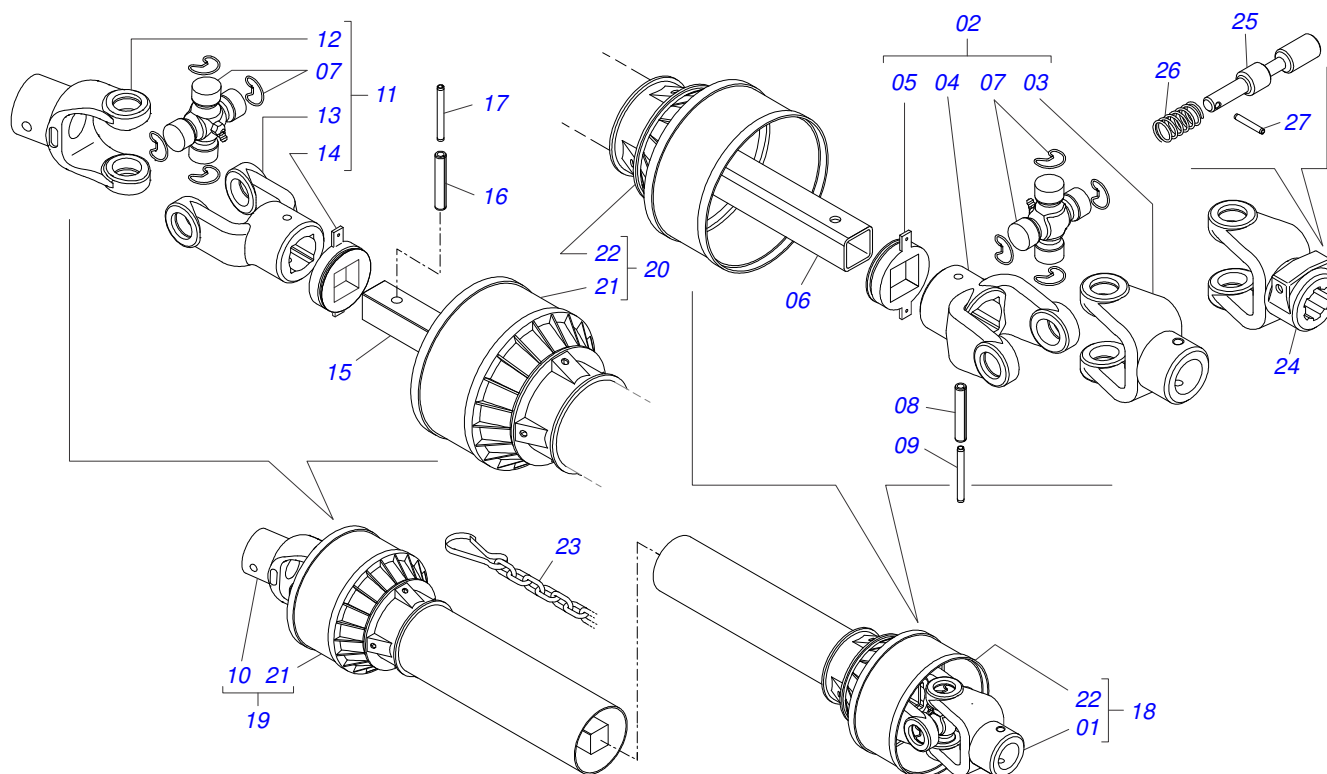


Item	Code	Description	See page	QT
01	0501066588	CARDAN LARGE SUPPORT		01
02	0511014066	CARDAN SMALLE SUPPORT		01
03	0511017302	FLAT WASHER		01
04	0503010257	1/8" X 1" COTTERPIN		01

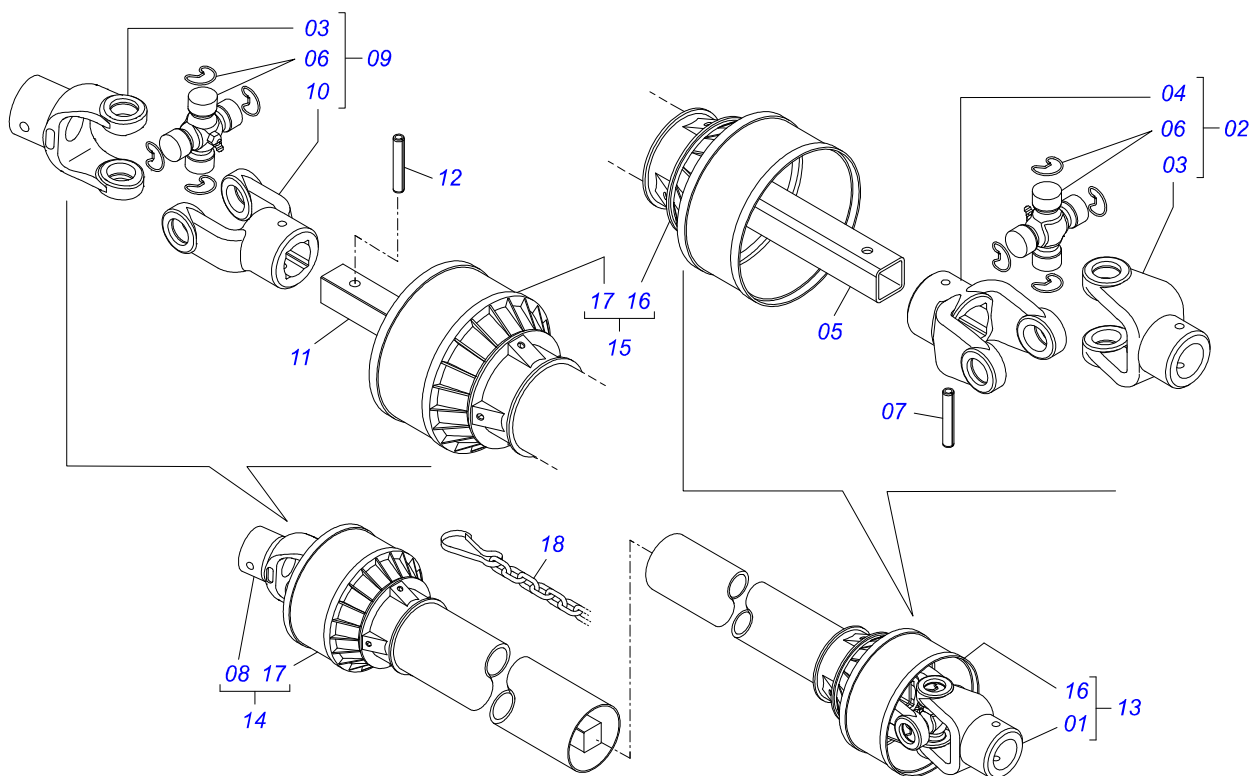


Item	Code	Description	See page	QT
01	0503011162	BALL BEARING		01
02	0503011146	HOUSING BEARING		01
03	0503011099	GREASE FITTING		01

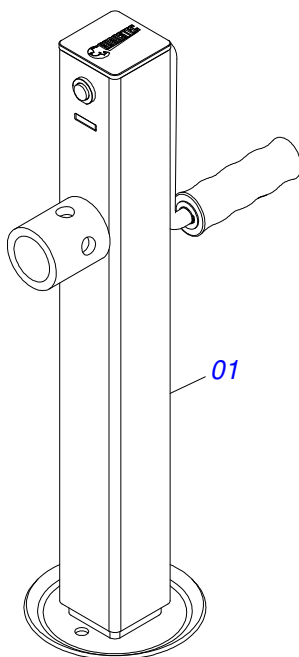
DRIVE SHAFT



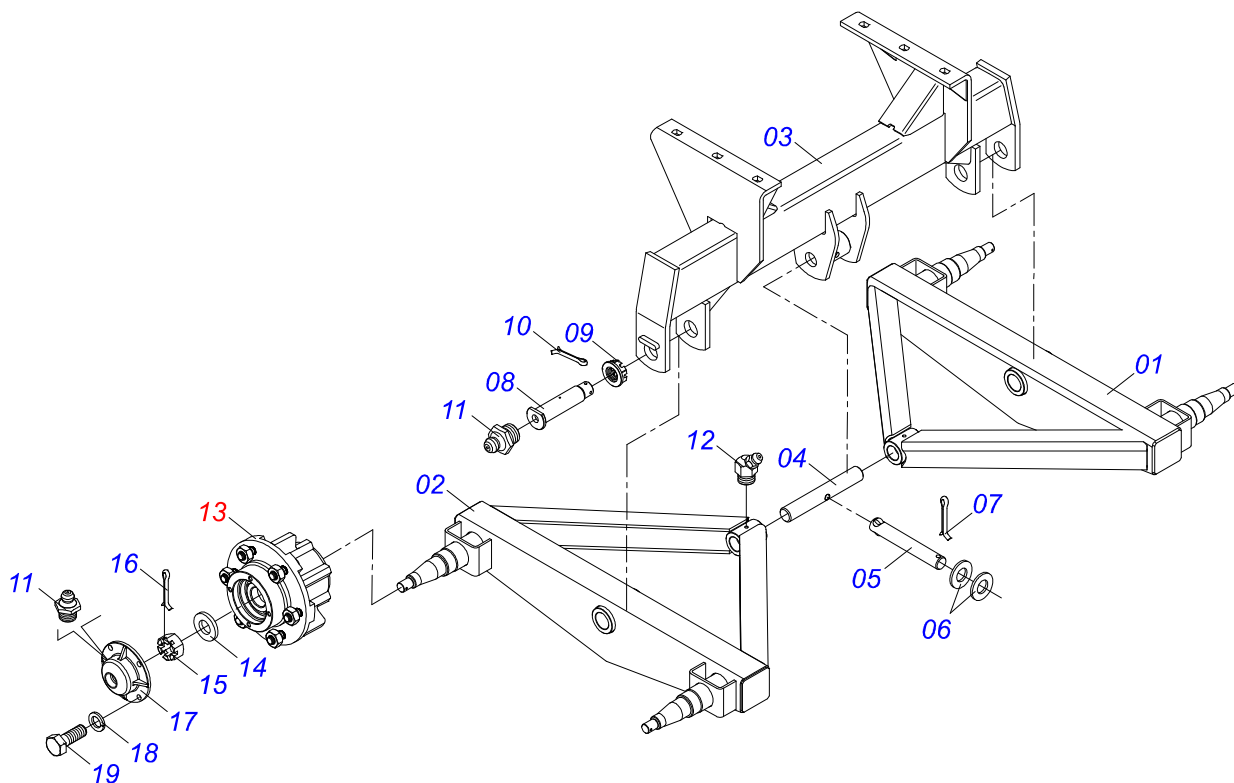
Item	Code	Description	See page	QT
01	0501052176	SLEEVE UNIVERSAL JOINT	01	01
02	0501050265	UNIVERSAL JOINT	01	01
03	0501050333	1-40 TERMINAL WITH HITCH	01	01
04	0502010565	2-40 TERMINAL W/ SH 1.5"/1.5"	01	01
05	0503012069	ADAPTER FOR BUSHING PROTECT	01	01
06	0521013800	16" X 1.4" SQUARE SLEEVE	01	01
07	0503010836	CARDAN CROSSPIECE	02	01
08	0503011069	0.4" X 2.8" SPRING PIN	01	01
09	0503010510	0.2" X 2.6" SPRING PIN	01	01
10	0501052177	AXLE UNIVERSAL JOINT	01	01
11	0501052178	UNIVERSAL JOINT	01	01
12	0502011611	9-40 TERMINAL	01	01
13	0502010566	3-40 TERMINAL W/ SH 1.2"/1.2"	01	01
14	0503012070	ADAPTER FOR AXLE PROTECTION	01	01
15	0521013801	1.2" X 15.7" SQUARE SHAFT	01	01
16	0503010361	SPRING PIN	01	01
17	0503010756	0.2" X 2.4" SPRING PIN	01	01
18	0501052179	PROT/SLEEVE UNIVERSAL JOINT	01	01
19	0501052180	PROT/AXLE UNIVERSAL JOINT	01	01
20	0503012277	PROTECTION ASSY	01	01
21	0503012279	PROTECTION FOR UNIV JOINT AND AXLE	01	01
22	0503012278	PROTECTION FOR UNIV JOINT SLEEVE	01	01
23	0503012023	CHAIN FOR UNIV JOINT PROTECTION	02	01
24	0502010563	1-40 STRIATED 1.3/8" TERMINAL	01	01
25	0521010638	0.5" X 3.3" QUIC HITCH COUPL SHAFT	01	01
26	0503030518	0.5"X1.0"X 0.1" COMPRESSION SPRING	01	01
27	0503010838	0.1" X 0.8" SPRING PIN	01	01



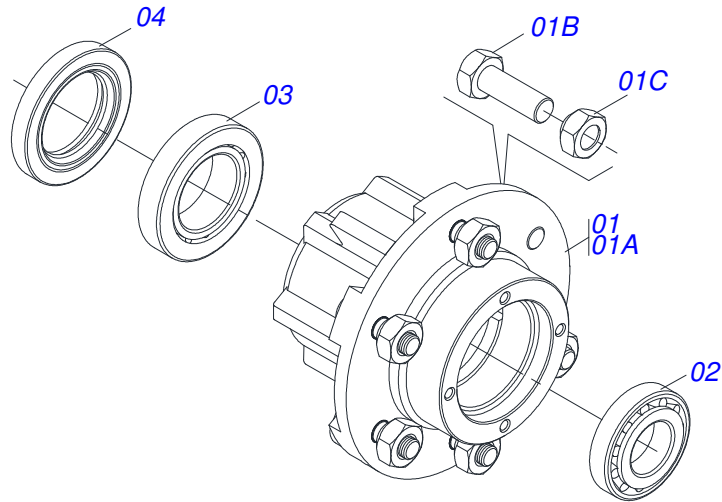
Item	Code	Description	See page	QT
01	0501052171	SLEEVE UNIVERSAL JOINT		01
02	0501051718	UNIVERSAL JOINT		01
03	0502010558	4-20 TERMINAL WITH ROLES		02
04	0502011426	2-20 TERMINAL		01
05	0521013799	0.9" X 47" SQUARE SLEEVE		01
06	0503010835	CARDAN CROSSPICE		02
07	0503010839	03"X 0.6" SPRING PIN		01
08	0501052172	AXLE UNIVERSAL JOINT		01
09	0501051720	UNIVERSAL JOINT		01
10	0502011427	3-20 TERMINAL		01
11	0521013796	0.9" X 47" SQUARE SHAFT		01
12	0503010301	0.3" X 1.8" SPRING PIN		01
13	0501052170	PROT/SLEEVE UNIVERSAL JOINT		01
14	0501052173	PROT/AXLE UNIVERSAL JOINT		01
15	0503012274	PROTECTION ASSY		01
16	0503012275	PROTECTION FOR UNIV JOINT SLEEVE		01
17	0503012276	PROTECTION FOR UNIV JOINT AND AXLE		01
18	0503012023	CHAIN FOR UNIV JOINT PROTECTION		02



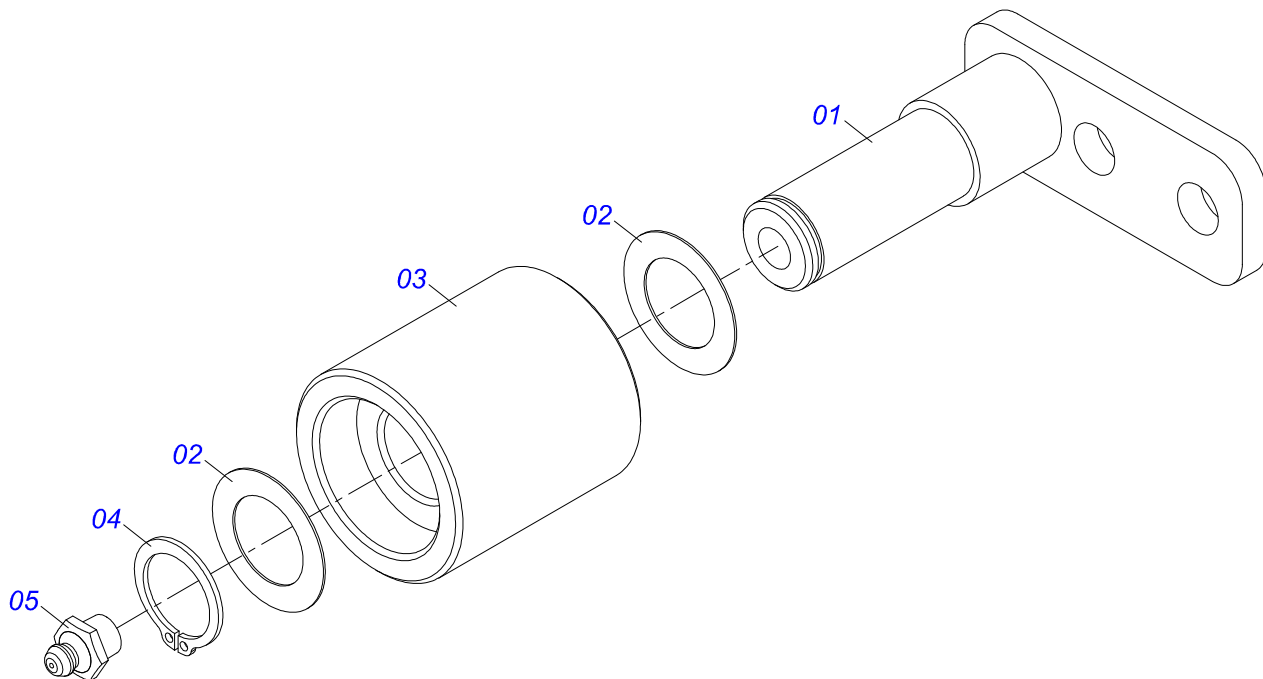
Item	Code	Description	See page	QT
01	0503062157	HEADER JACK	21	01



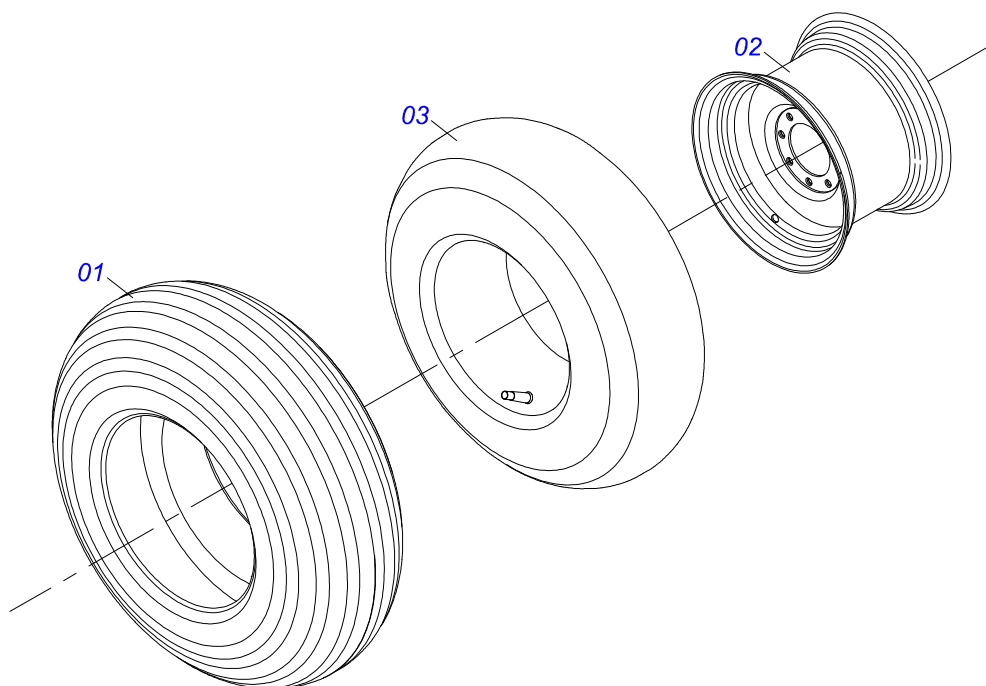
Item	Code	Description	See page	QT
01	0501069577	RIGHT ROCKER ARM		01
02	0501069578	LEFT BELL CRANCK		01
03	0501069579	BELL CRANK FIXATION SUPPORT		01
04	0521012427	1.5" X 11.4" COUPLING SHAFT		01
05	0521010553	0.5" X 3" COUPLING SHAFT		01
06	0511017302	FLAT WASHER		02
07	0503010297	5/32" X 1.1/4" COTTER PIN		01
08	0521012431	1-1/2" 7.6 PIVOT SHAFT		02
09	0501011301	1.1/2 UNC 6FPP 2.5/16 NUT		02
10	0503010010	1/4" X 2.1/2" COTTERPIN		02
11	0503010002	1800 GREASE FITTING		04
12	0503010003	1845 GREASE FITTING		02
13	0501051142	CARRYING WHEEL HUB	23	04
14	0501016545	FLAT WASHER		04
15	0503030009	1" CASTLE NUT		04
16	0503010131	3/16" X 1-1/2" COTTERPIN		04
17	0502020591	PROTECCION COVER		04
18	0503011444	SPRING WASHER		16
19	0503010358	5/16" X 5/8" BOLT		16



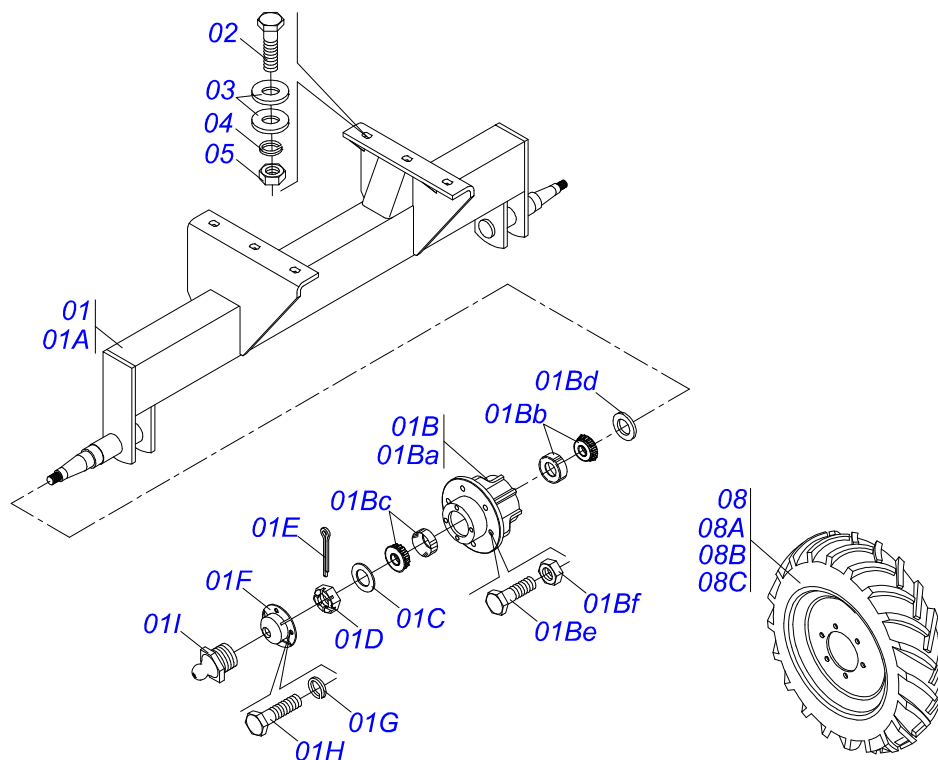
Item	Code	Description	See page	QT
01	0501110728	WHEEL HUB		01
01A	0502011121	CARRYING WHEEL HUB		01
01B	0501010127	9/16" X 1-7/8" LUG BOLT		06
01C	0503010035	9/16" CONIC NUT		06
02	0503010037	30207 ROLLER BEARING		01
03	0503010006	32210 ROLLER BEARING		01
04	0503012928	SEAL		01



Item	Code	Description	See page	QT
01	0501067692	BELT TENSIONER BODY		01
02	0511015098	FLAT WASHER		02
03	0511017041	TENSIONER ROLD		01
04	0503010302	501019 SEAL RING		01
05	0503010002	1800 GREASE FITTING		01



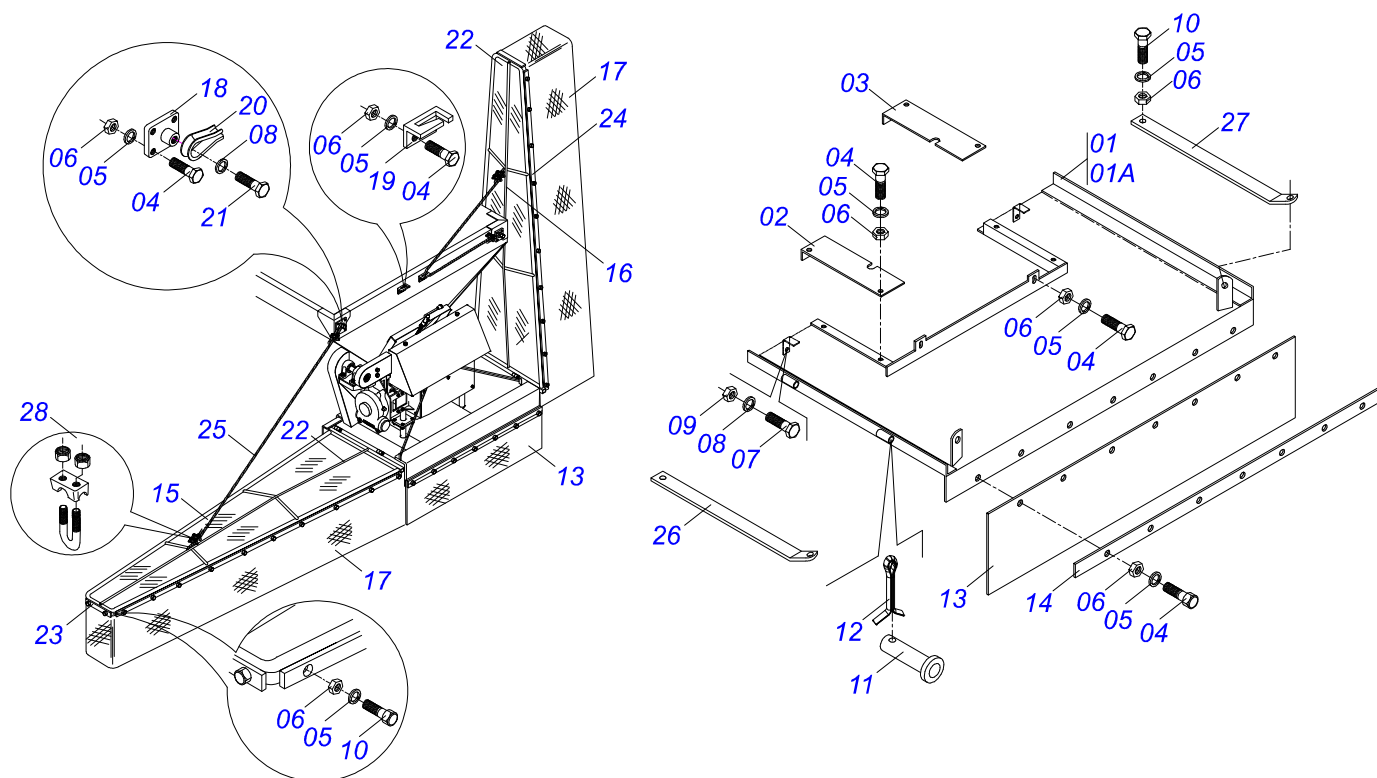
Item	Code	Description	See page	QT
001	0503010858	CANVAS TIRE		01
002	0503011468	WEEL		01
003	0503010860	CAMARA AR 11L 15		01



Item	Code	Description	See page	QT
01	0511049830	BELL CRANK FIXER SUPPORT		01
01A	0501069574	CARRYING-WHEEL FIXATION SUPPORT		01
01B	0511051258	CARRYING WHEEL HUB		02
01Ba	0521062555	HUB CARRYING-WHEELS		02
01Bb	0503010006	32210 ROLLER BEARING		02
01Bc	0503010037	30207 ROLLER BEARING		02
01Bd	0503012928	SEAL		02
01Be	0501010127	9/16" X 1-7/8" LUG BOLT		12
01Bf	0503013001	9/16" CONICAL NUT		12
01C	0501016545	FLAT WASHER		02
01D	0503830009	1" X 0.9" CASTLE NUT		02
01E	0503010131	3/16" X 1-1/2" COTTERPIN		02
01F	0502020591	PROTECCION COVER		02
01G	0503011444	SPRING WASHER		08
01H	0503010295	5/16" X 5/8" BOLT		08
01I	0503010002	1800 GREASE FITTING		02
02	0503010899	5/8" X 2-1/4" BOLT		06
03	0501012140	FLAT WASHER		12
04	0503010027	SPRING WASHER		06
05	0503010013	5/8" NUT		06
06	0511051259	KIT SIGNALING		01
06A	0561019598	LANTERN BODY SUPPORT		01
06B	0501011048	3/8" X 2-1/2" BOLT		02
06C	0503010025	3/8 SPRING WASHER		02
06D	0503010026	3/8" NUT		02
06E	0503032811	FLASHLIGHT		02
06F	0503032812	1141 12V LAMP		04
06G	0503032813	67 12V 5W LAMP		02
06H	0503013224	CABLE PP		08
06I	0503015497	CABLE PP		08
06J	0503013151	ELECTRIC CONNECTION		01



Item	Code	Description	See page	QT
06K	0521062556	SUPPORT THE TRIANGLE		01
06L	0503013849	1/4" UNC X 3/4" BOLT		04
06M	0501010694	FLAT WASHER		08
06N	0503010023	SPRING WASHER		04
06O	0503010014	3/4" NUT		04
07	0511051260	BRAKE ASSY DCA		01
07A	0503061994	RIGHT BRAKE ASSY DCA		01
07B	0503061995	BRAKE ASSEMBLY LEFT DCA		01
07C	0561019596	PLATE LOCK BRAKE		02
07D	0501011179	7/16" X 1" BOLT		08
07E	0503010180	7/16" SPRING WASHER		08
07F	0503013494	NUT 7/16		08
07G	0561019597	BLOCK FLOW DIVIDER		01
07H	0503012776	1/8" NF NIPPLE		04
07I	0541011066	3/4" UNF X 43.5 NIPPLE		01
07J	0501081408	HOSE ASSY 1/4 "		02
07K	0501080780	HOSE ASSY 3/8 " TC-TM		01
07L	0501013115	RING OF 27		02
08	0503061969	CON WHEEL TIRE		02
08A	0511064944	WHEEL CR 30635/2-L15 4181569		02
08B	0503011469	RIB TIRE 12L		02
08C	0503010860	CAMARA AR 11L 15		02



Item	Code	Description	See page	QT
01	0501047695	DAMPER ASSY DCA2 2500/5500/7500		01
01A	0501067801	CENTRAL FRAME		01
02	0511017104	RIGHT COVER SIDE		01
03	0511017105	LEFT COVER SIDE		01
04	0503010237	3/8" X 1" BOLT		67
05	0503010025	3/8 SPRING WASHER		71
06	0503010026	3/8" NUT		71
07	0501010063	1/2" X 1-1/2" BOLT		02
08	0503010019	1/2" SPRING WASHER		04
09	0503010060	1/2" NUT		02
10	0503010751	C3/8" X 1.1/4" HEX BOLT G.5		04
11	0511013803	PIN		04
12	0503010131	3/16" X 1-1/2" COTTERPIN		04
13	0511013810	REAR PROTECTION		01
14	0511013804	REAR RIBBON FIXER BLANKET		01
15	0501066442	RIGHT WING		01
16	0501066443	LEFT WING		01
17	0511013808	BLANKET RUBBER		02
18	0501066515	STELL SUPPORT CABLO		02
19	0501066514	STELL GUIDE CABLO		02
20	0503011202	BRACKET		04
21	0503010834	1/2 X 1 BOLT		02
22	0511013809	SUPPORT PROTECTION		02
23	0511013806	FIXER CANVAS RIBBON		02
24	0511013793	FIXER SUPPORT CANVAS		04
25	0511013817	STELL CABLE		02
26	0511017465	ATTACHMENT BAR		01
27	0511017466	ATTACHMENT BAR		01
28	0503010165	5/16" CABLO STEEL STAPLE		08



MARCHESAN IMPLEMENTOS E MÁQUINAS AGRÍCOLAS TATU S.A.

AV. Marchesan, 1979 - Post office box, 131 - CEP 15994-900 - Matão - SP - Brazil

Phone +55 16.3382-8282

(FAX Parts) + 55 16.3382. 8297 - (Export) + 55 16.3382.1003

e.mail: tatu@marchesan.com.br www.marchesan.com.br

Technical Publications: Elaboration

ALESSANDRA PATRICIA KAWAHARA CARRILI

Technical Publications: Revision

JOSÉ DOMINGOS GASPARI

Contact Catálogo:

E-mail = jgaspari@marchesan.com.br

**ORIGINAL PARTS
TATU**

