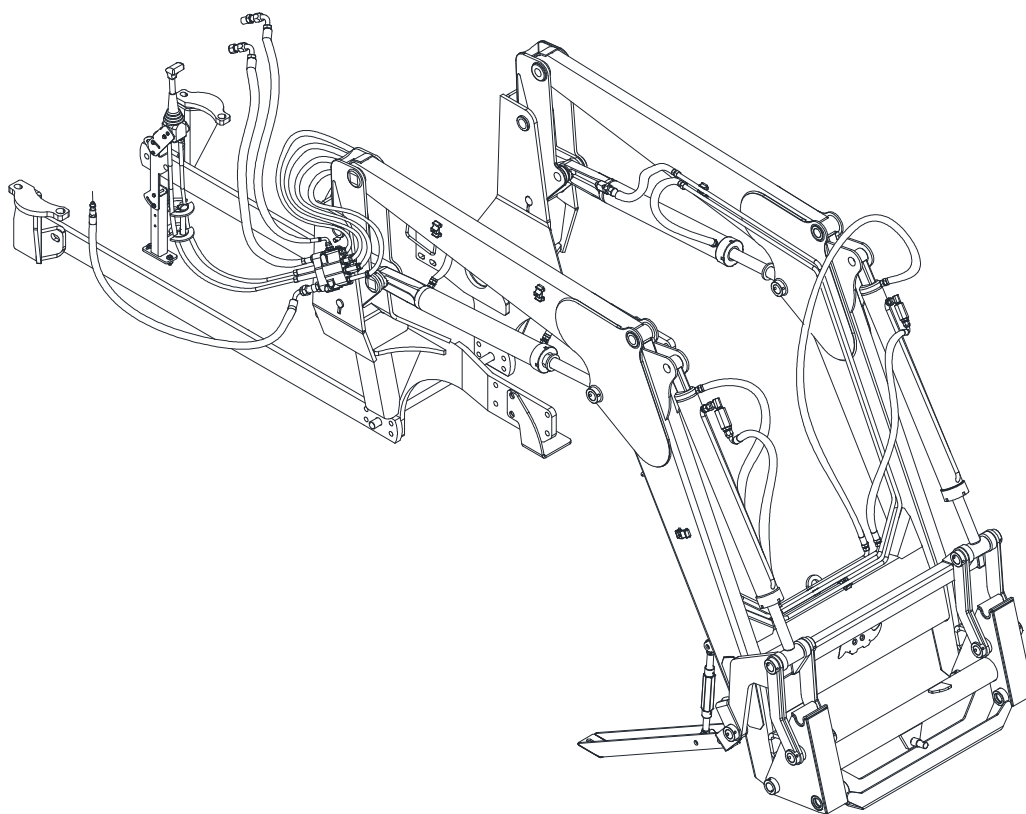


# **PARTS CATALOG**

## **PCA - AGRICULTURAL FRONT LOADER**

**CAT PCS PCA 2000 NH T6  
110/120/130 CASE 110A BTCD SL**

**Code: 0501091952**



**Series: S-0716**

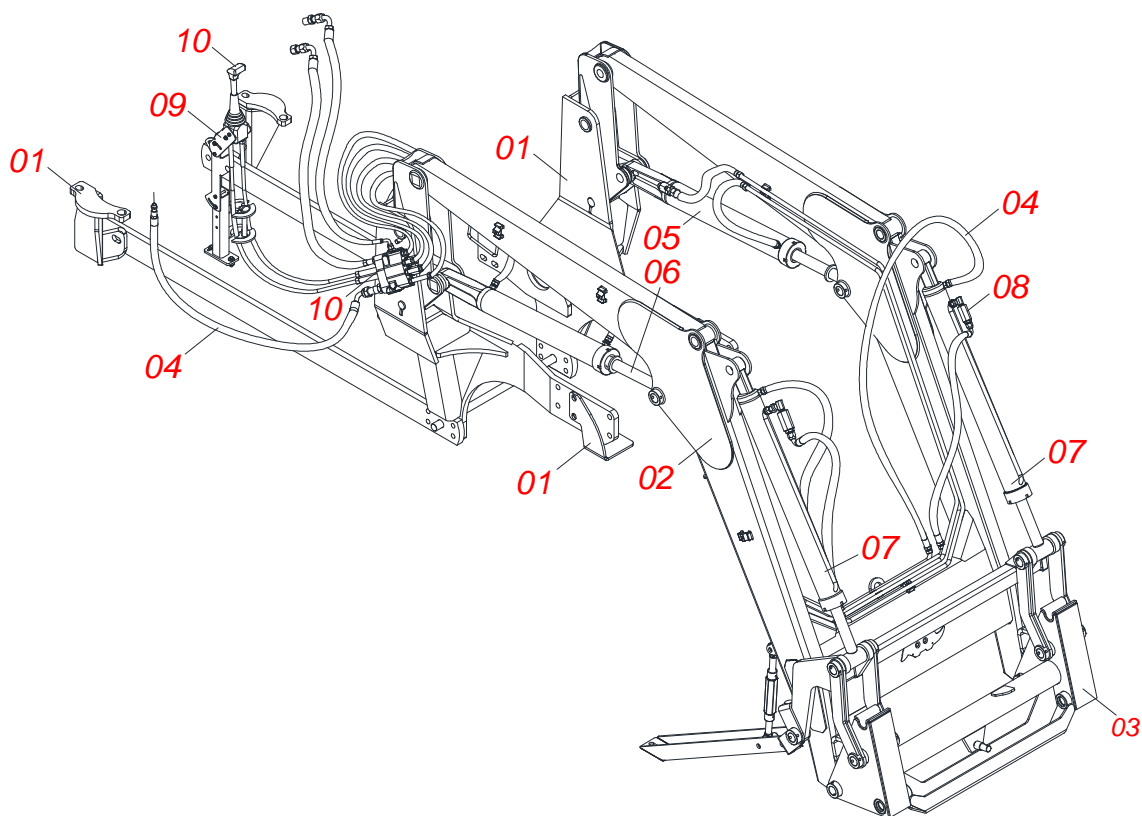
**Review: JULHO/17**

**ORIGINAL PARTS  
TATU**



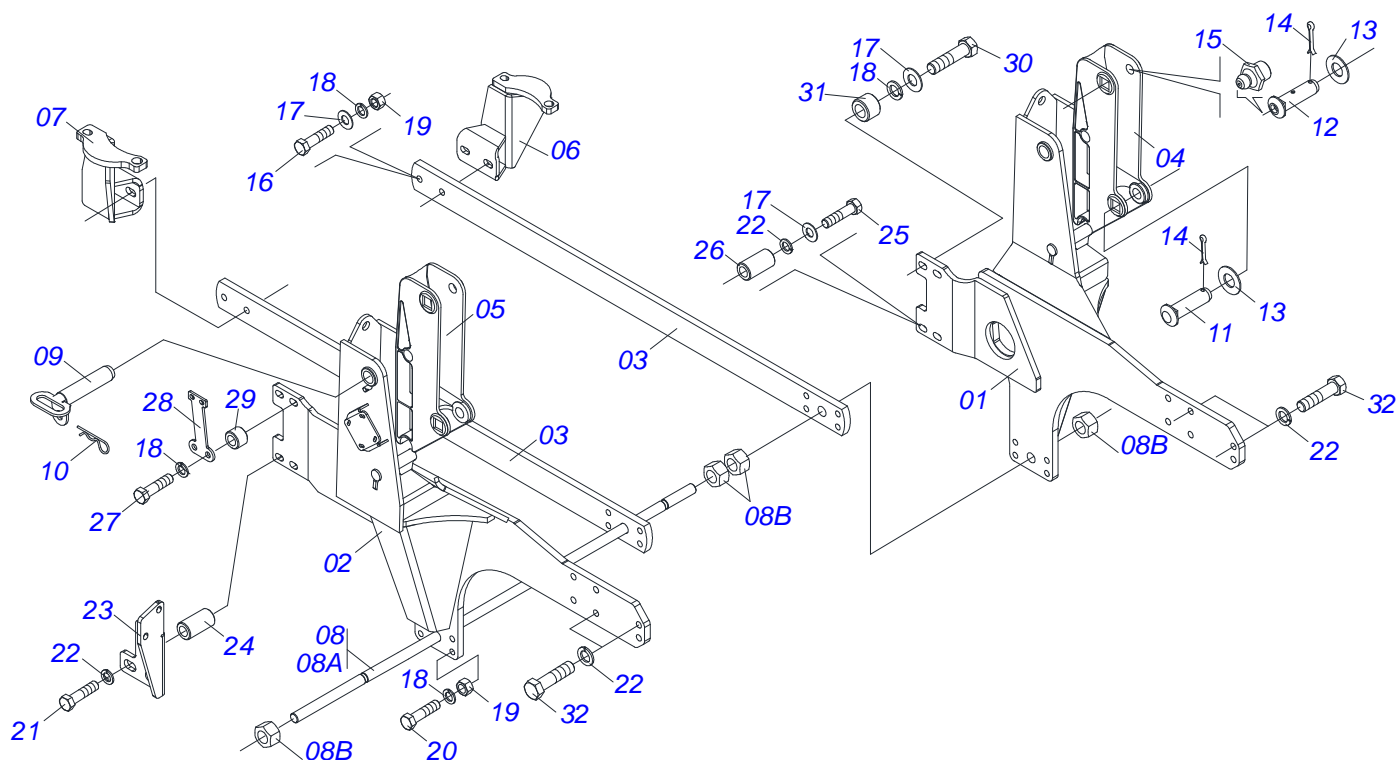
# INDEX

0106111688	PCA 2000 NH T6.110A130 CASE110A BTCD JS SL	.....	1
0909092684	FRAME ASSY PCA	.....	2
0909092685	MOVEL SUPPORT SET PCA	.....	3
0511043359	ARTICULATION ASSY	.....	4
0909092687	HYDRAULIC CIRCUIT SUPPORT MOVEL PCA	.....	5
0511057969	HYDRAULIC CILINDER	.....	6
0511057972	HYDRAULIC CILINDER	.....	7
0511059169	HYDRAULIC CILINDER	.....	8
0511057810	CONJUNTO VÁLVULA DE SEGURIDAD	.....	9
0501053834	QUICK CONECTION (MALE) 1/2	.....	10
0521045393	SET SUPPORT JOY STICK	.....	11
0909092688	CONTROL 3/8" MONOBLOC WITH JOYSTICK	.....	12



Item	Code	Description	QT
01	0909092684	FRAME ASSY PCA	01
02	0909092685	MOVEL SUPPORT SET PCA	01
03	0511043359	ARTICULATION ASSY	01
04	0909092687	HYDRAULIC CIRCUIT SUPPORT MOVEL PCA	01
05	0511057969	HYDRAULIC CILINDER	01
06	0511057972	HYDRAULIC CILINDER	01
07	0511059169	HYDRAULIC CILINDER	02
08	0511057810	CONJUNTO VÁLVULA DE SEGURIDAD	04
09	0521045393	SET SUPPORT JOY STICK	01
10	0909092688	CONTROL 3/8" MONOBLOC WITH JOYSTICK	01

FRAME ASSY PCA



Item	Code	Description	QT
01	0521065781	RIGHT FRAME	01
02	0521065782	LEFT FRAME	01
03	0581010145	CONJUNTO DEL CHASIS CON BARRA DE	02
04	0502012472	MOBILE TOWER	01
05	0502012473	LEFT MOBILE TOWER	01
06	0521066397	BRACKET	01
07	0521066398	BRACKET	01
08	0501041652	1.1/4" X 31.88" ROD ASSY	01
08A	0501014916	1.1/4" X 31.88" ROD	01
08B	0501010087	1.1/4" NUT	04
09	0521061681	SUPPORT FIXER AXLE	02
10	0503030012	HAIR PIN	02
11	0521012869	COUPLING SHAFT	02
12	0521012870	1.46" X 6.18" PIVOT SHAFT	02
13	0511019685	FLAT WASHER	04
14	0503010534	3/8 X 2-1/2 COTTERPIN	04
15	0503010002	1800 GREASE FITTING	02
16	0501018059	3/4" X 2-1/4" BOLT	04
17	0501010322	FLAT WASHER	08
18	0503010023	SPRING WASHER	14
19	0503010014	3/4" NUT	12
20	0501010500	3/4"X3"BOLT	08
21	0503013365	M20 X 2,5 X 140 BOLT	04
22	0503010023	SPRING WASHER	14
23	0571018365	SUPORTE EXHAUST	01
24	0571018374	SLEEVE	02
25	0503014928	M20 X 2,5 X 130 BOLT	02
26	0551019342	SLEEVE	02
27	0503013090	M20 X 2,5 X 100 BOLT	02
28	0571018369	SUPPORT	01
29	0571018371	SLEEVE	02
30	0503013103	M20 X 2,5 X 90 BOLT	02
31	0571018372	SLEEVE	02

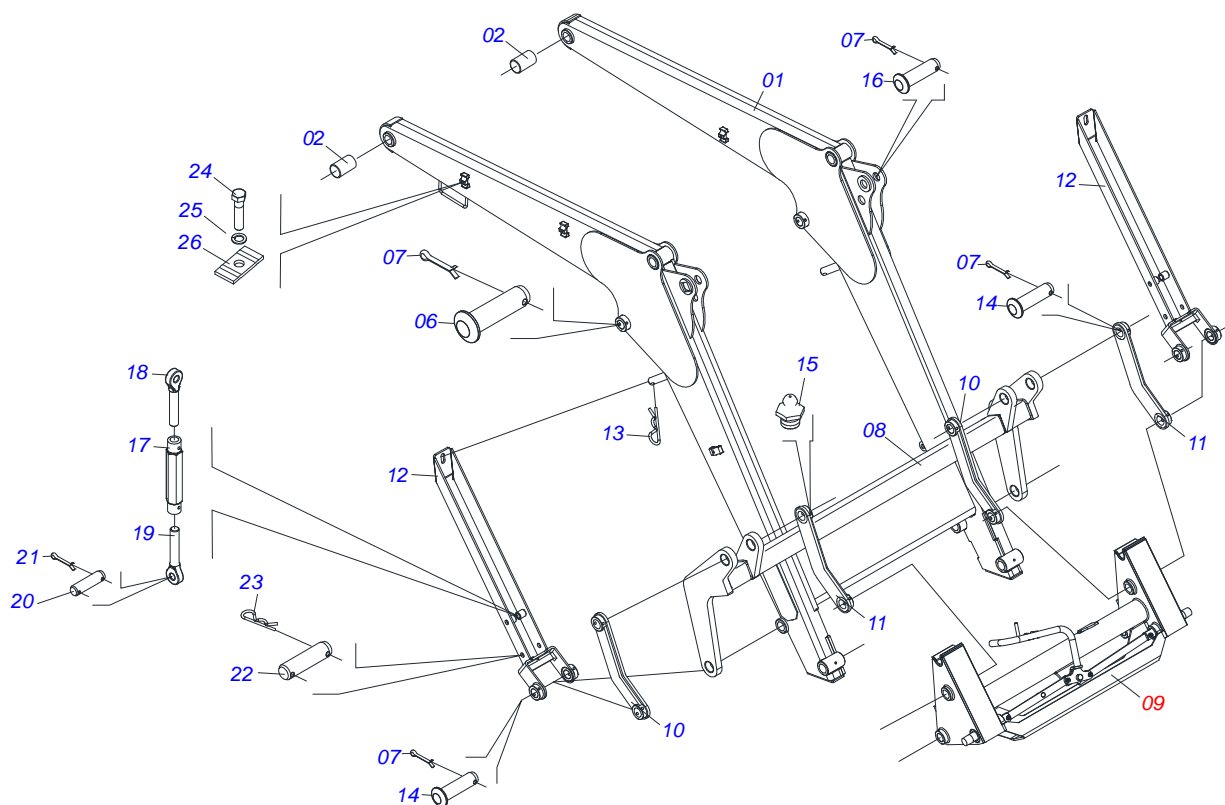


FRAME ASSY PCA

0909092684

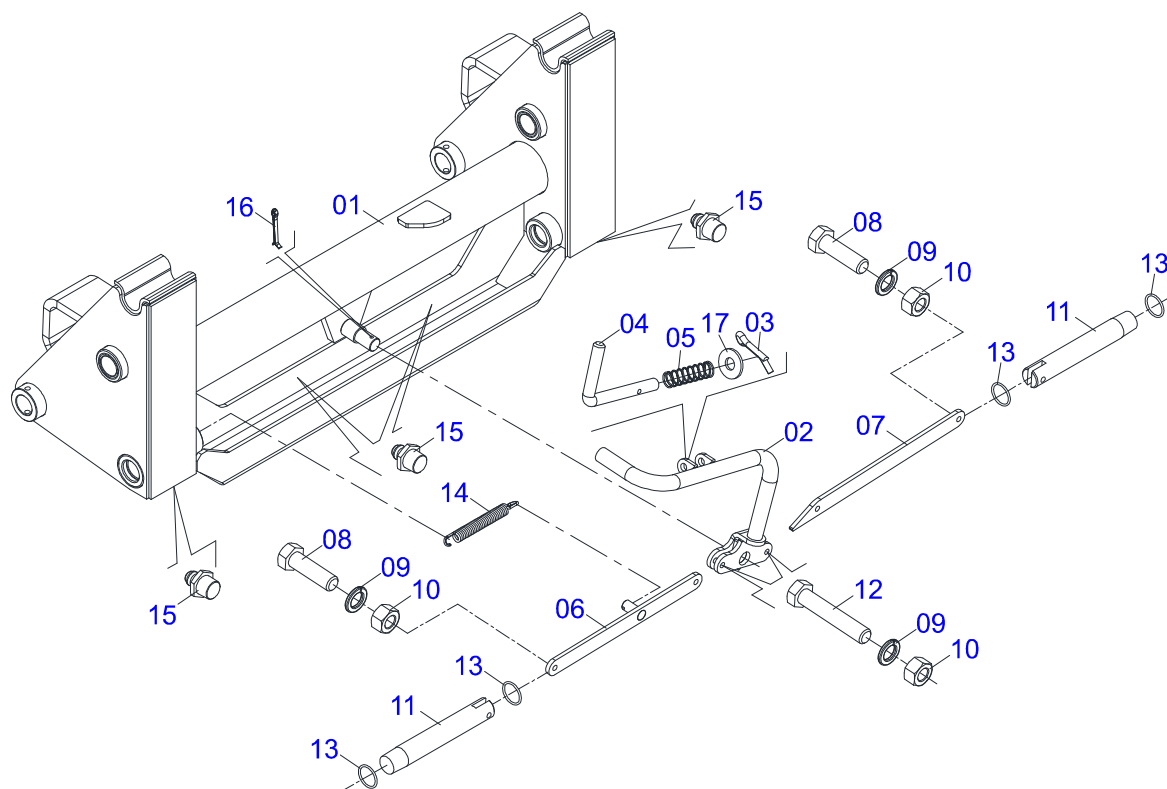
Item	Code	Description	QT
32	0503012758	M20 X 2,5 X 65 BOLT	12

MOVEL SUPPORT SET PCA

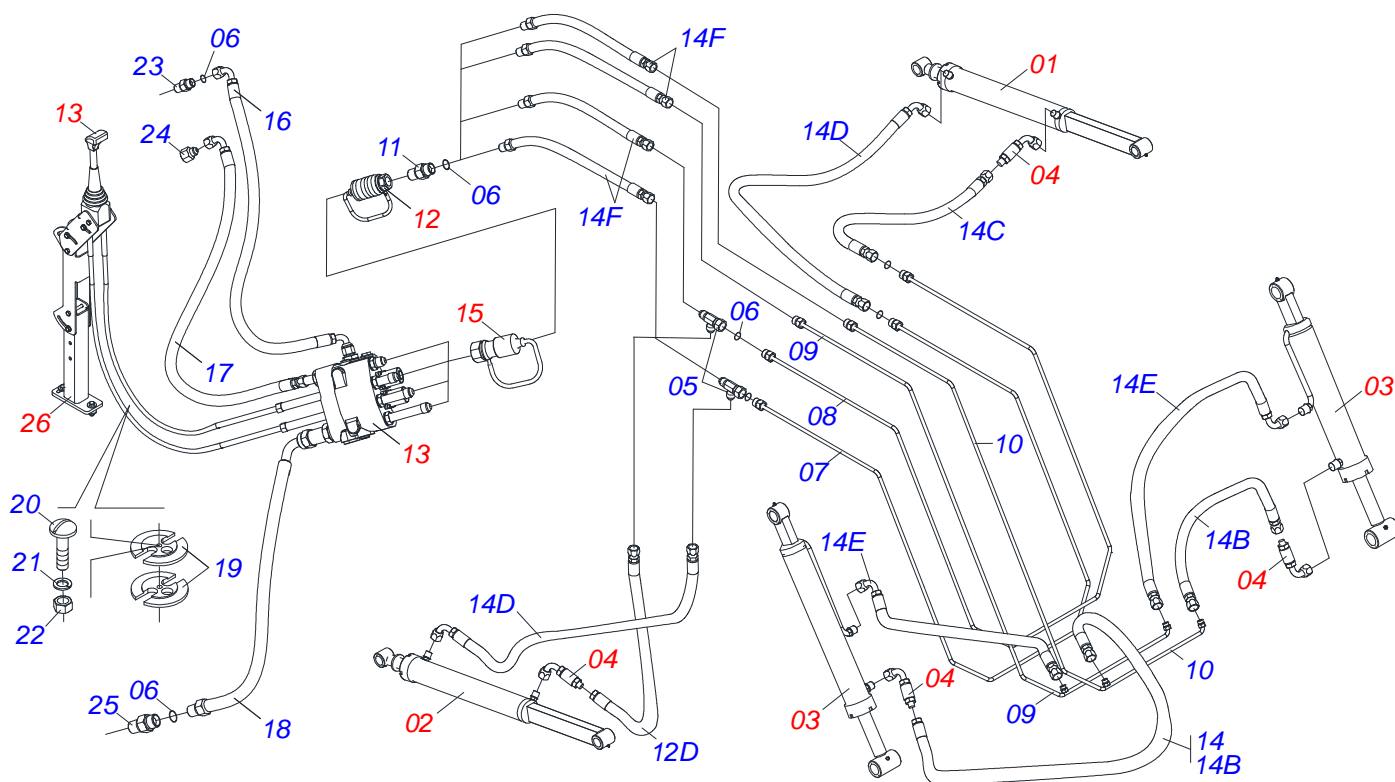


Item	Code	Description	QT
01	0521067353	MOBILE SUPPORT	01
02	0541014740	SLEEVE	08
06	0561015035	COUPLING SHAFT	02
07	0503010073	3/8 X 3-1/2 COTTERPIN	10
08	0511066079	LARGER COPY	01
09	0511043359	ARTICULATION ASSY	01
10	0511066123	SMALLER COPY	02
11	0511066120	LEFT SMALLER COPY	02
12	0521061020	PLOUGH SUPPORT ASSY	02
13	0503030012	HAIR PIN	02
14	0561015034	COUPLING SHAFT	06
15	0503010002	1800 GREASE FITTING	04
16	0561014067	COUPLING SHAFT	02
17	0502012530	REGULATOR NUT BODY R1 PCA	02
18	0502012562	LEFT SPINDLE R1 X 160 PCA	02
19	0502012529	RIGHT SPINDLE R1 X 160	02
20	0561015578	3/4 X 56 PCA VTR A750 COUPLING SHAFT	02
21	0503010300	5/32" X 1" COTTERPIN	04
22	0521012777	COUPLING SHAFT	02
23	0503030012	HAIR PIN	04
24	0503011102	PARAFUSO 7/16 UNC X 1.1/4 C S G.5	10
25	0503010180	7/16" SPRING WASHER	10
26	0531011180	UPPER BODY CLIP	10

ARTICULATION ASSY



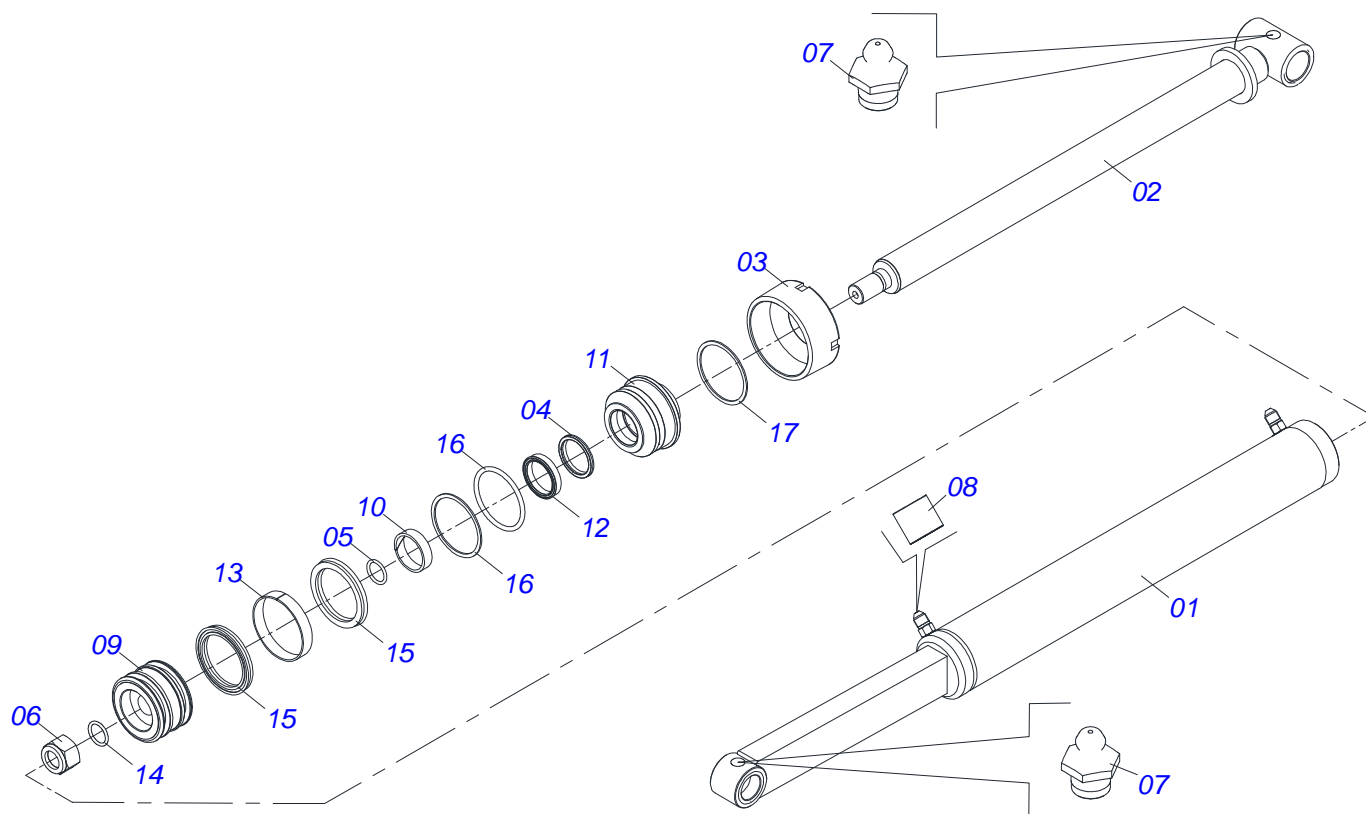
Item	Code	Description	QT
01	0511066088	ARTICULATION	01
02	0521060524	DISARM LEVER	01
03	0503010071	3/16" X 1" COTTERPIN	01
04	0541014962	DISASSEMBLE TRIGGER	01
05	0503032132	COMPRESSION SPRING	01
06	0511066181	ARM DISARM	01
07	0541014964	BODY LEFT ARM DISARM	01
08	0503010849	3/8" X 1-1/2" BOLT	02
09	0503010025	3/8 SPRING WASHER	04
10	0503010026	3/8" NUT	04
11	0541014963	LOCK PIN PCA-T 1750	02
12	0501010096	3/8" X 2" BOLT	02
13	0503010285	2-222 N 3006-9B O'RING	04
14	0503031574	6.9" X 0.8" X 0.1" EXTENSION SPRING	01
15	0503010002	1800 GREASE FITTING	04
16	0503010571	1/4" X 1.1/2 COTTERPIN	01
17	0511017302	FLAT WASHER	01



Item	Code	Description	QT
01	0511057969	HYDRAULIC CILINDER	01
02	0511057972	HYDRAULIC CILINDER	01
03	0511059169	HYDRAULIC CILINDER	02
04	0511057810	CONJUNTO VÁLVULA DE SEGURIDAD	04
05	0503030964	T CONNECTOR	02
06	0503011030	2-014 N 3006-9B O'RING	22
07	0521067358	PUMP PRESSURE TUBE	01
08	0521067356	DUCTO RETENES OLEO	01
09	0521067355	PUMP PRESSURE TUBE	01
10	0521067354	DUCT SEAL OIL	01
11	0511014065	7/8" NF X R1/2NPT X 52 NIPPLE	04
12	0501053835	FEMALE QUICK COUPLER	04
13	0909092688	CONTROL 3/8" MONOBLOC WITH JOYSTICK	01
14	0521045400	HOSE ASSY	01
14A	0503033158	PLASTIC BAG	01
14B	0501080969	1/2" X 750 TR-TC OFS HOSE	03
14C	0501080554	1/2" X 27.6" TR-TC OFS HOSE	01
14D	0501080970	1/2" X 23.6" TR-TC OFS HOSE	02
14E	0501080971	1/2" X 33.46" TR-TC HOSE ASSY	02
14F	0501082033	1/2" HOSE	04
15	0501053834	QUICK CONECTION (MALE) 1/2	04
16	0501080786	1/2" X 98.42" HOSE ASSY	01
17	0501080495	1/2 X 2500 TR-TC HOSE	01
18	0501080269	1/2 X 3000 TR-TC HOSE ASSY	01
19	0581013404	PUMP	02
20	0503017866	3/16" X 1,1/2" BOLT	01
21	0503010668	3/16" SPRING WASHER	01
22	0503010667	3/16" NUT	01
23	0561018342	1" NF NIPPLE	01
24	0571019584	7/8 UNF NIPLE	01
25	0501011460	7/8 NF REDUCTION NIPPLE	01
26	0521045393	SET SUPPORT JOY STICK	01

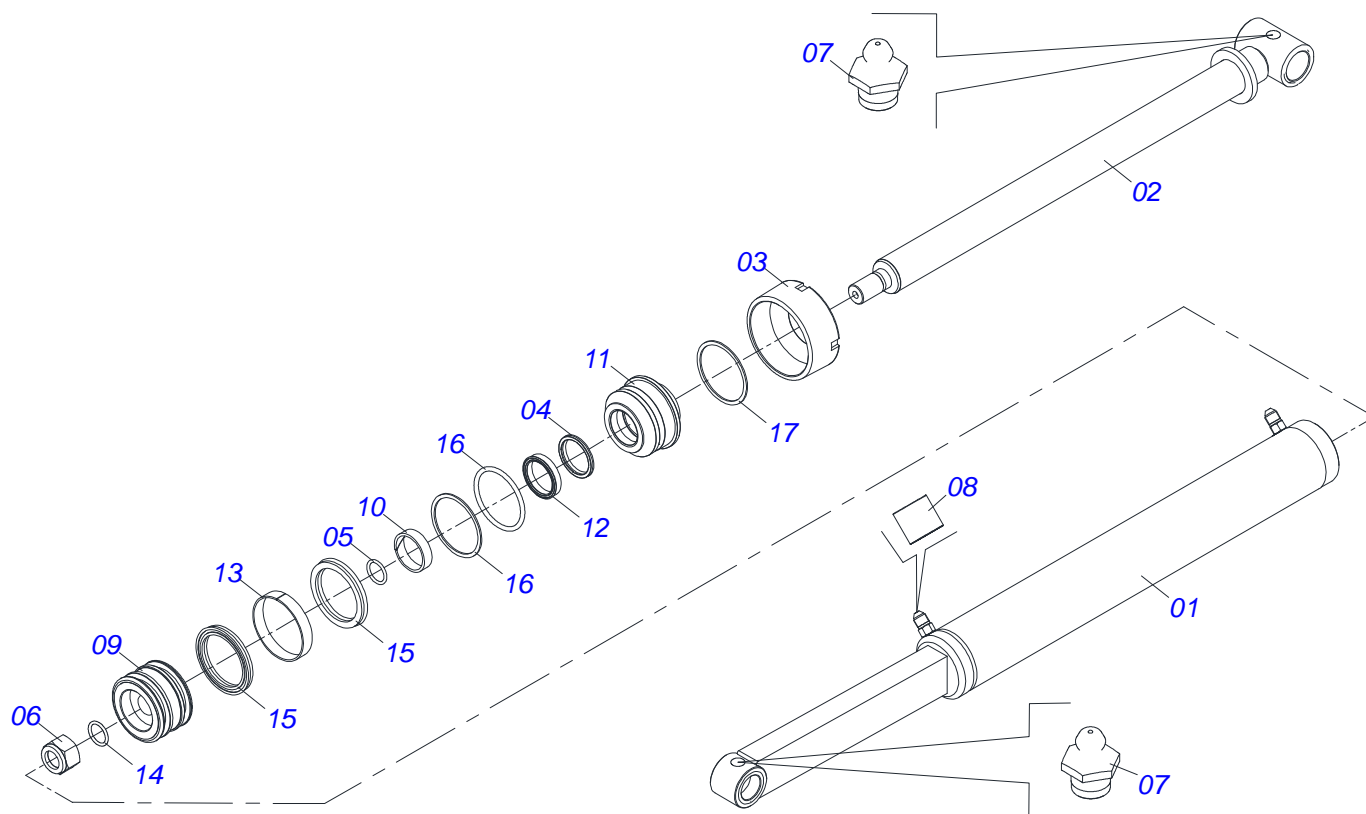


HYDRAULIC CILINDER



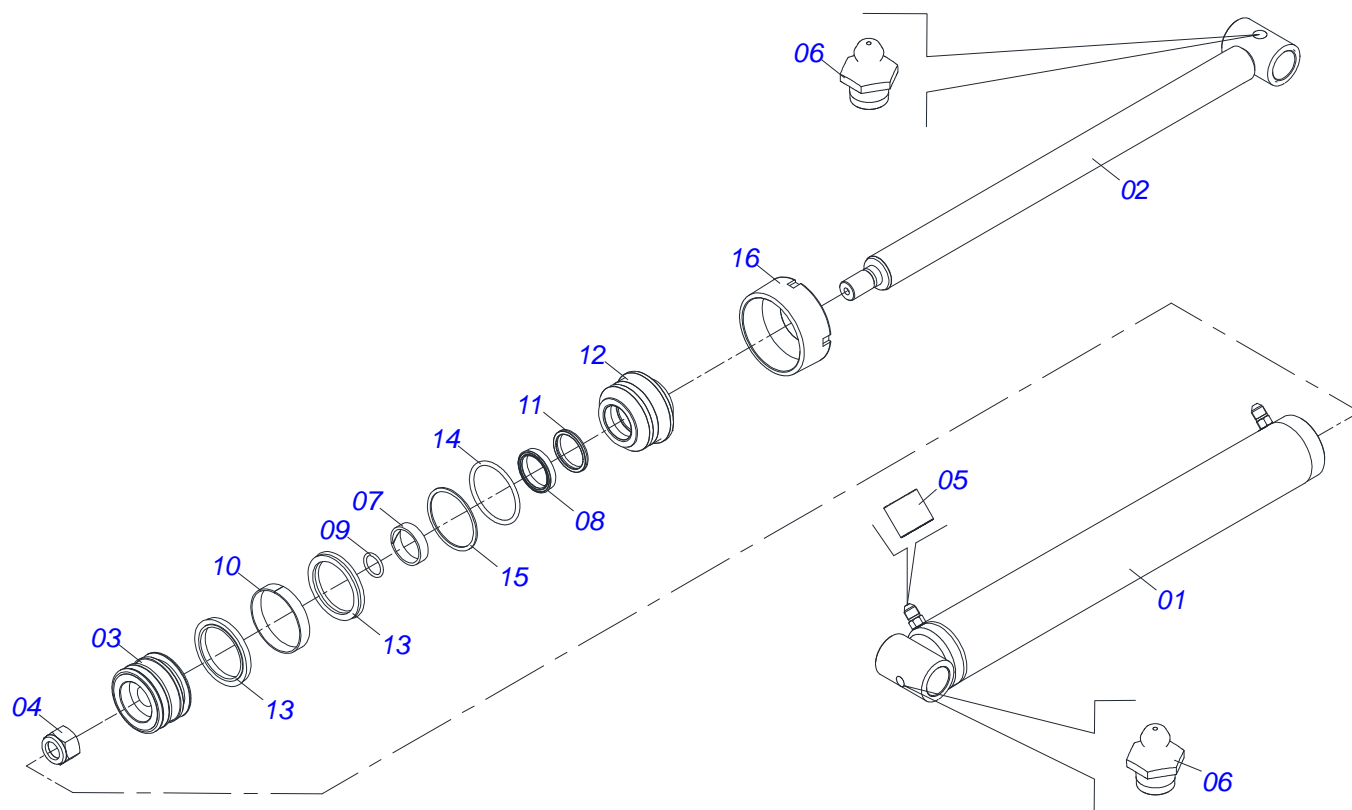
Item	Code	Description	QT
001	0521064994	RH CYLINDER CASE	01
002	0521066414	44,45 X TURNBUCKLE	01
003	0571019709	DETACHABLE COVER	01
004	0503010761	D-1750 SCRAPER RING	01
005	0503010042	2-214 N 3006-9B O'RING	01
006	0503010063	1" SELF-ALIGNING NUT	01
007	0503010002	1800 GREASE FITTING	02
008	0503030387	PLUG	02
009	0571019710	1.7" X 3.4" PISTON	01
010	0503017935	RING	01
011	0571019711	RING SUPPORT	01
012	0503017937	GASKET	01
013	0503017936	RING	01
014	0503017938	RING GUIDE	01
015	0503017940	8-337 BACK-UP RING	02
016	0503017939	2-337 N 3006-9B O' RING	02
017	0503018144	RING	01

HYDRAULIC CILINDER

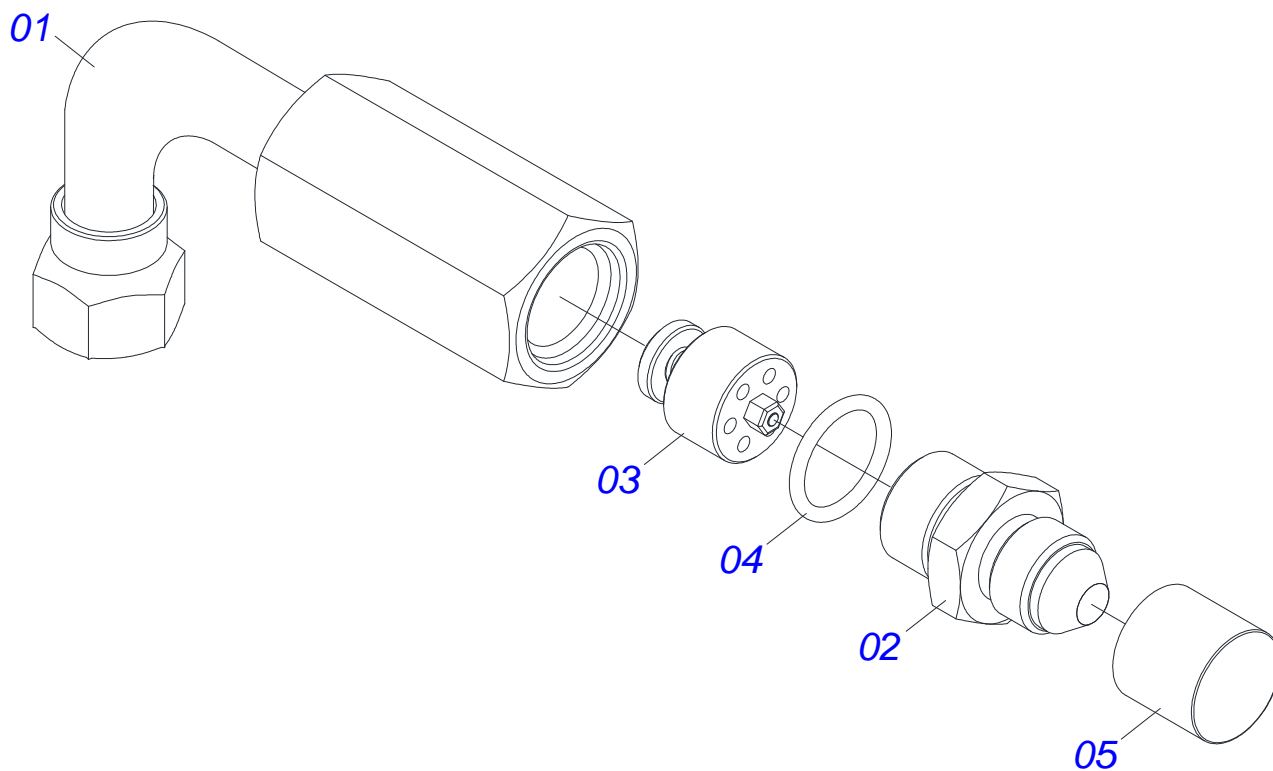


Item	Code	Description	QT
001	0521064995	LH CYLINDER CASE	01
002	0521066414	44,45 X TURNBUCKLE	01
003	0571019709	DETACHABLE COVER	01
004	0503010761	D-1750 SCRAPER RING	01
005	0503010042	2-214 N 3006-9B O'RING	01
006	0503010063	1" SELF-ALIGNING NUT	01
007	0503010002	1800 GREASE FITTING	02
008	0503030387	PLUG	02
009	0571019710	1.7" X 3.4" PISTON	01
010	0503017935	RING	01
011	0571019711	RING SUPPORT	01
012	0503017937	GASKET	01
013	0503017936	RING	01
014	0503017938	RING GUIDE	01
015	0503017940	8-337 BACK-UP RING	02
016	0503017939	2-337 N 3006-9B O' RING	02
017	0503018144	RING	01

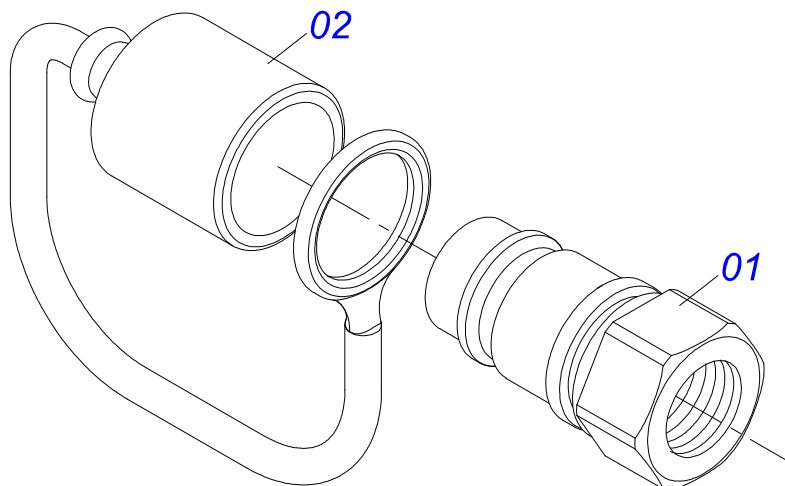
HYDRAULIC CILINDER



Item	Code	Description	QT
001	0521066382	CYLINDER CASE OUTLET	01
002	0521066402	44,45 X TURNBUCKLE	01
003	0502012264	RING SUPPORT 1.75" X 3"	01
004	0503010063	1" SELF-ALIGNING NUT	01
005	0503030387	PLUG	02
006	0503010002	1800 GREASE FITTING	02
007	0503010949	W2-2000-500 PK RING G.E	01
008	0503011059	8-334 BACK-UP RING	01
009	0503010343	2-334 N 3006-9B O'RING	01
010	0503010761	D-1750 SCRAPER RING	01
011	0503010042	2-214 N 3006-9B O'RING	01
012	0581010304	PISTON	01
013	0503018138	RING BS	02
014	0503018140	RING GUIDE	01
015	0503017937	GASKET	01
016	0502011899	MOBILE COVER	01

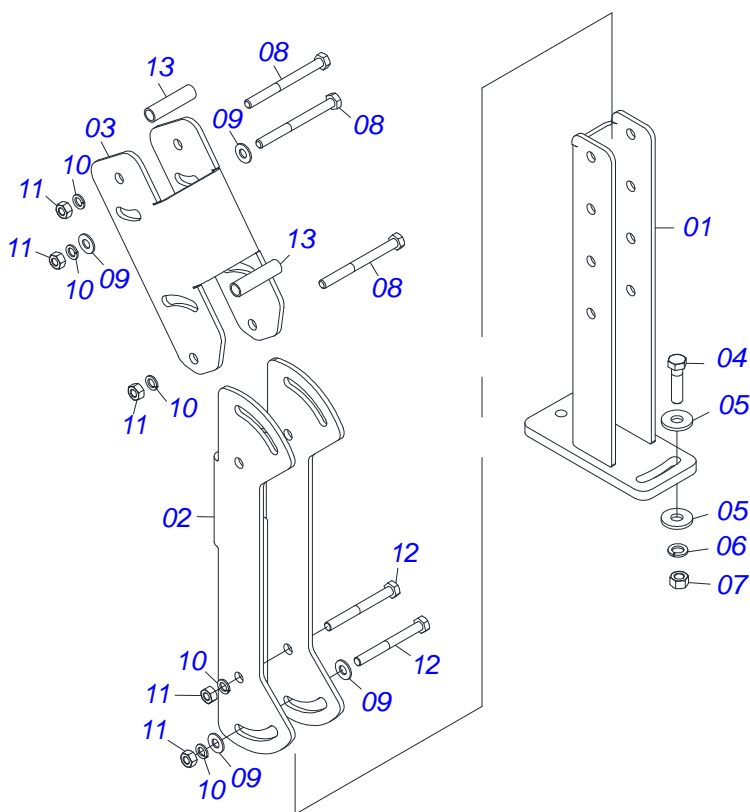


Item	Code	Description	QT
001	0521067686	ADAPTER ASSY	01
002	0581014051	1/2" NIPPLE	01
003	0503016854	VALVE ASSY	01
004	0503010045	2-116 N 3006-9B O'RING	01
005	0503030385	PLUG	01

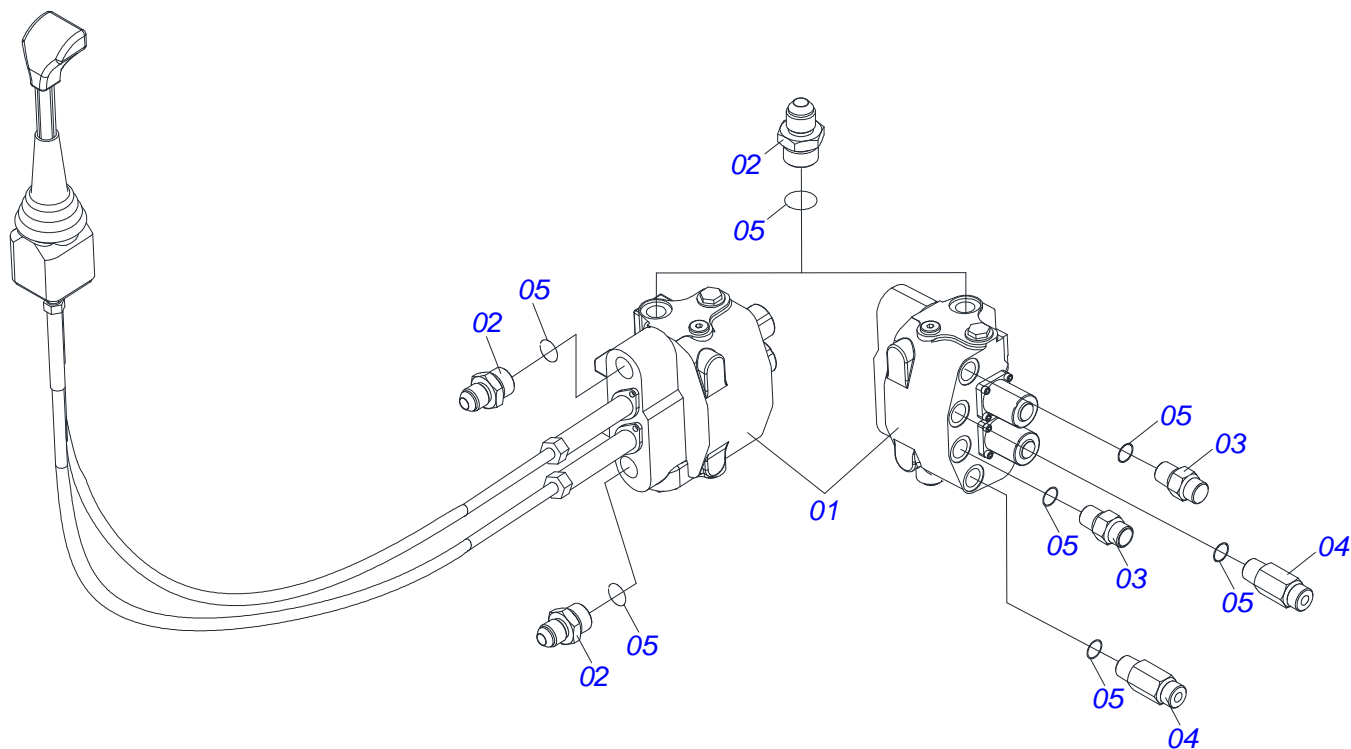


Item	Code	Description	QT
01	0503011627	QUICK CONNECTION (MALE) AGR 1/2 NPT	01
02	0503011882	QUICK CONNECTION COVER	01

SET SUPPORT JOY STICK



Item	Code	Description	QT
01	0521065789	LOWER JOYSTICK SUPPORT PCA	01
02	0571018376	CENTRAL BODY SUPPLEMENT OF JOYSTICK PCA	01
03	0571018375	SUPERIOR BODY SUPPLEMENT OF JOYSTICK	01
04	0503010849	3/8" X 1-1/2" BOLT	02
05	0501010984	FLAT WASHER	02
06	0503010025	3/8 SPRING WASHER	02
07	0503010026	3/8" NUT	02
08	0503010848	5/16" X 3.1/2" BOLT	04
09	0501010694	FLAT WASHER	06
10	0503010179	SPRING WASHER	06
11	0503010337	5/16" NUT	06
12	0503011053	5/16" X 3" C S 6.5 ZN BOLT	02
13	0541015551	0.39" X 0.512" X 1.9" SLEEVE	02



Item	Code	Description	QT
01	0503062415	COMPLETE JOYSTICK CONTROL SDM122/2	01
02	0511018014	7/8"NF X 1.1/16 UN NIPPLE	03
03	0581014145	ADAPTER ASSY	02
04	0561019919	7/8"UNF NIPPLE	02
05	0503011109	2-119 N 3006-9B O'RING	07







**MARCHESAN IMPLEMENTOS E MÁQUINAS AGRÍCOLAS TATU S.A.**

AV. Marchesan, 1979 - Post office box, 131 - CEP 15994-900 - Matão - SP - Brazil

Phone +55 16.3382-8282

(FAX Parts) + 55 16.3382. 8297 - (Export) + 55 16.3382.1003

e.mail: [tatu@marchesan.com.br](mailto:tatu@marchesan.com.br) [www.marchesan.com.br](http://www.marchesan.com.br)

**Technical Publications: Elaboration**

LUIZ CANDIDO

**Technical Publications: Revision**

LUIZ CANDIDO

*Contact Catálogo:*

*E-mail = [jgaspari@marchesan.com.br](mailto:jgaspari@marchesan.com.br)*

**ORIGINAL PARTS  
TATU**

