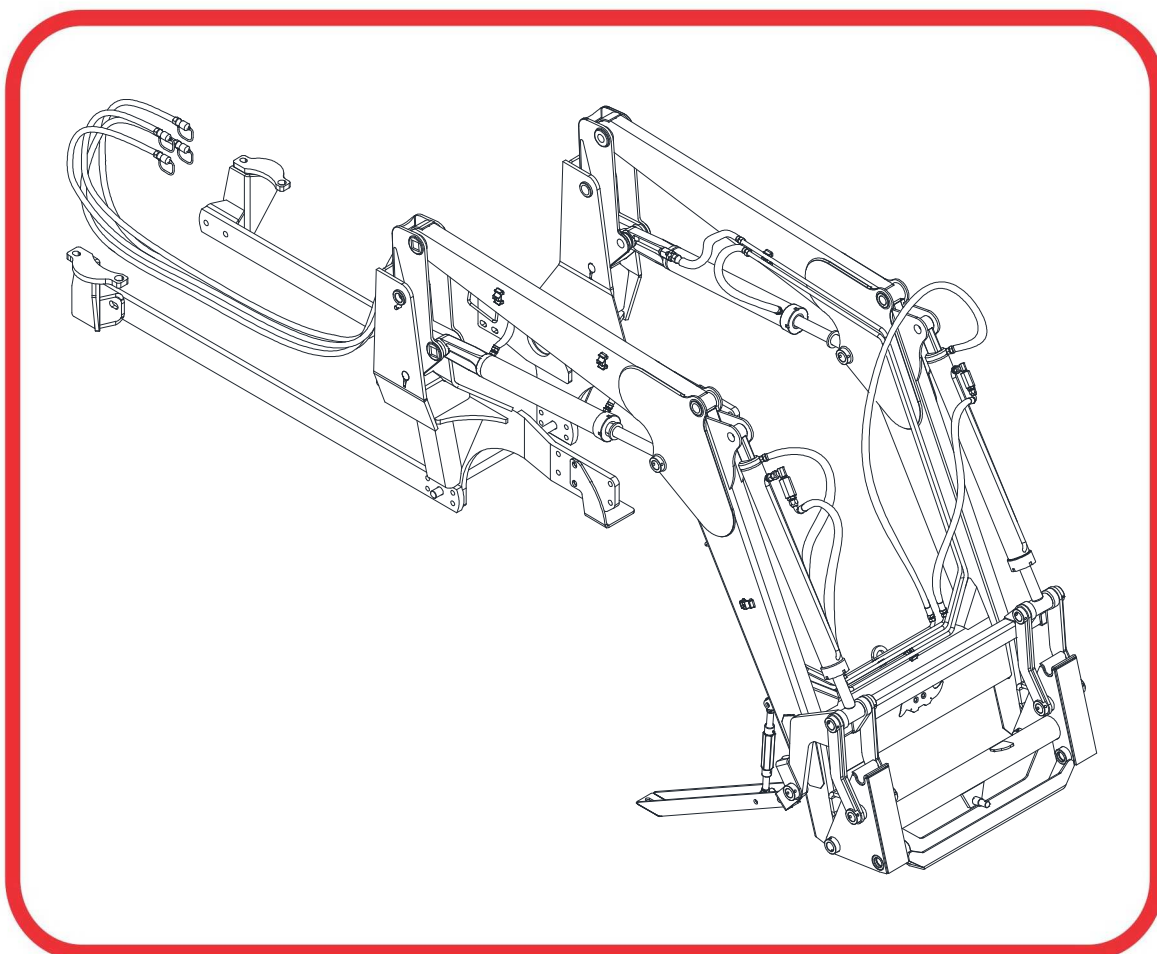


# PARTS CATALOG

## PCA - AGRICULTURAL FRONT LOADER

PCA 2000 BT SC NH T6 110/120/130 CASE  
110A

Code: 0501091951



Series: S-0716

Rev.: 00

Date Rev.: JULHO/17

ORIGINAL PARTS  
TATU



# PRODUCTS

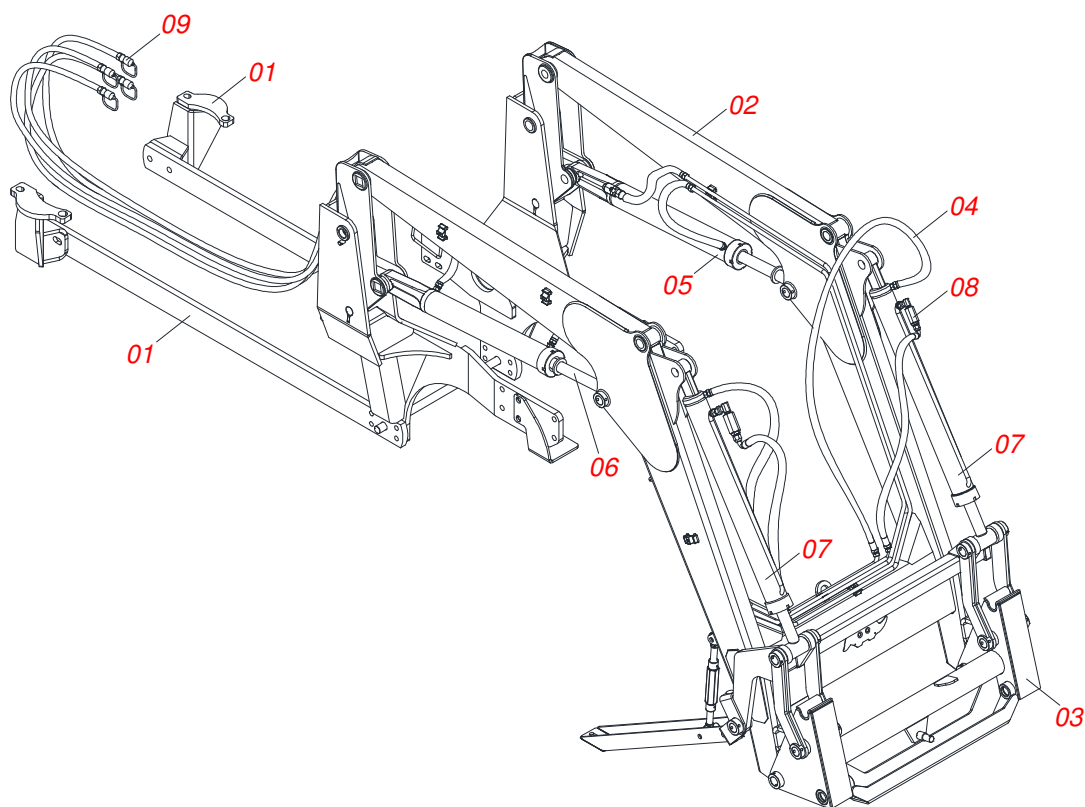
Code	Description
0106111630	PCA 2000 NH T6.110/120/130 CASE110A BTSC SL S-0716

## ATTENTION: **IMPORTANT**

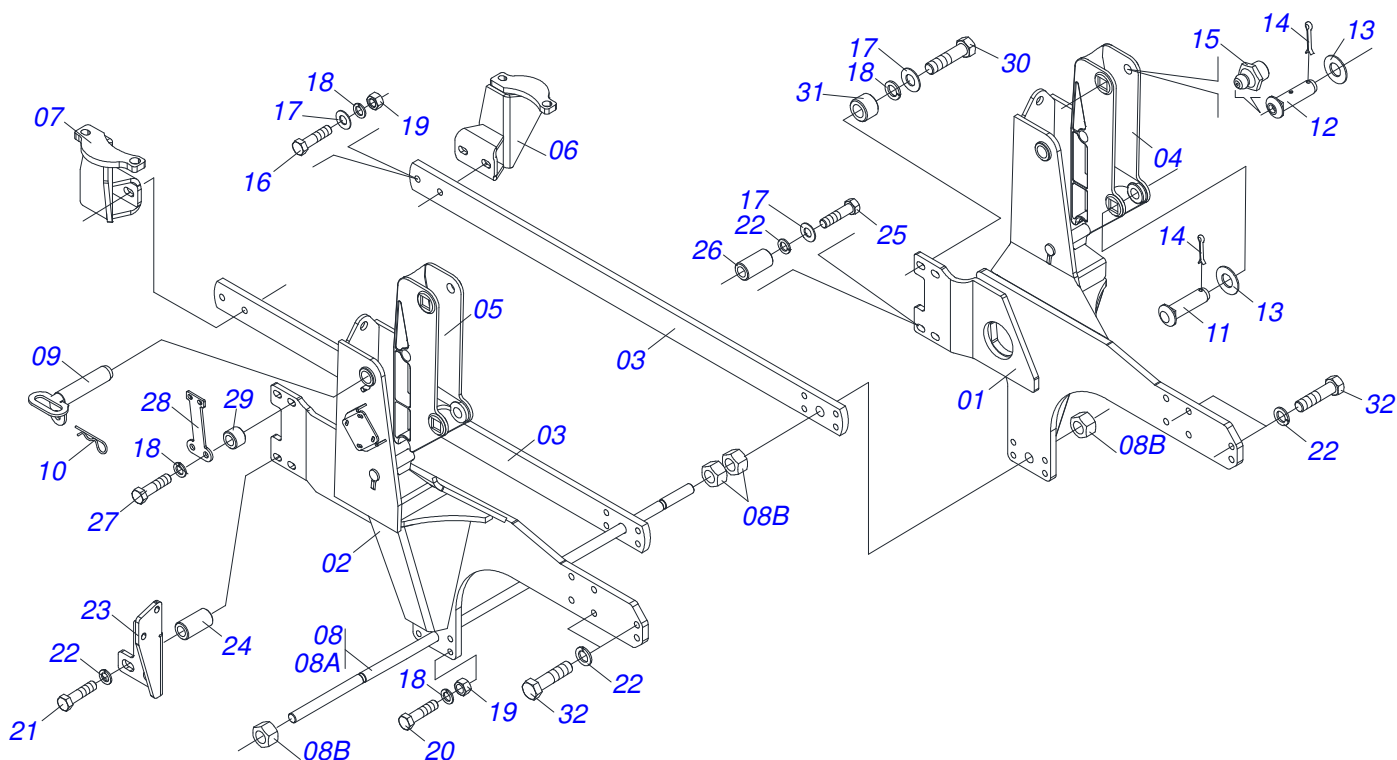
MARCHESAN S/A RESERVES THE RIGHT AT ANY TIME TO MAKE IMPROVEMENTS IN THE DESIGN, MATERIAL OR SPECIFICATIONS OF MACHINERY, EQUIPMENT OR PARTS WITHOUT THEREBY BECOMING LIABLE TO MAKE SIMILAR CHANGES IN MACHINERY, EQUIPMENT OR PARTS PREVIOUSLY SOLD.

# INDEX

0106111630	PCA 2000 NH T6.110/120/130 CASE110A BTSC SL	.....	1
0909092684	FRAME ASSY PCA	.....	2
0909092685	MOVEL SUPPORT SET PCA	.....	3
0511043359	ARTICULATION ASSY	.....	4
0909092686	HYDRAULIC CIRCUIT SUPPORT MOVEL PCA	.....	5
0511057969	HYDRAULIC CILINDER	.....	6
0511057972	HYDRAULIC CILINDER	.....	7
0511059169	HYDRAULIC CILINDER	.....	8
0511057810	CONJUNTO VÁLVULA DE SEGURIDAD	.....	9
0501053834	MALE QUICK COUPLING AGRICULTURAL WITH COVER - 1/2 NPT	.....	10



Item	Code	Description	See page	QT
01	0909092684	FRAME ASSY PCA	2	01
02	0909092685	MOVEL SUPPORT SET PCA	3	01
03	0511043359	ARTICULATION ASSY	4	01
04	0909092686	HYDRAULIC CIRCUIT SUPPORT MOVEL PCA	5	01
05	0511057969	HYDRAULIC CILINDER	6	01
06	0511057972	HYDRAULIC CILINDER	7	01
07	0511059169	HYDRAULIC CILINDER	8	02
08	0511057810	CONJUNTO VÁLVULA DE SEGURIDAD	9	01
09	0501053834	MALE QUICK COUPLING AGRICULTURAL WITH 10 COVER - 1/2 NPT	10	01



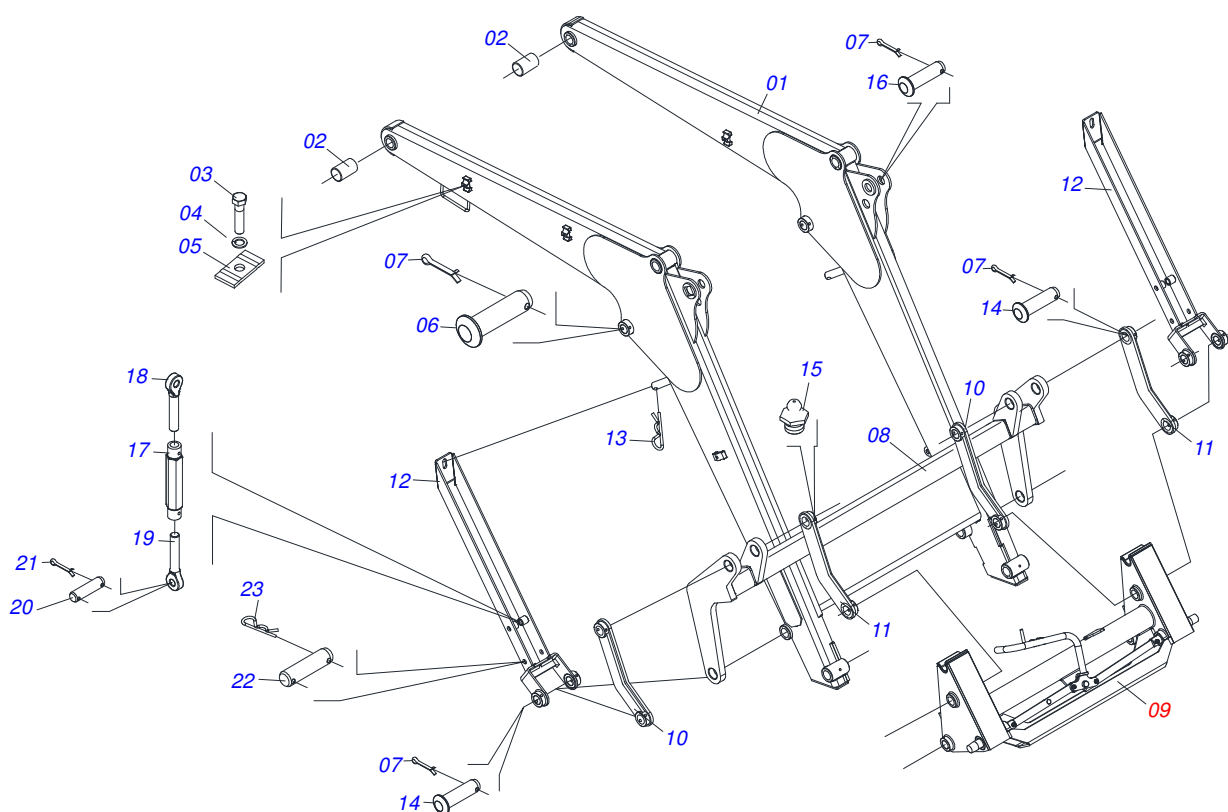
Item	Code	Description	See page	QT
01	0521065781	RIGHT FRAME		01
02	0521065782	LEFT FRAME		01
03	0581010145	CONJUNTO DEL CHASIS CON BARRA DE TRACCIÓN		02
04	0502012472	MOBILE TOWER		01
05	0502012473	LEFT MOBILE TOWER		01
06	0521066397	BRACKET		01
07	0521066398	BRACKET		01
08	0501041652	FULL 1.1/4" X 31.88" ROD ASSY		01
08A	0501014916	1.1/4" X 31.88" ROD		01
08B	0501010087	1.1/4" NUT		04
09	0521061681	SUPPORT FIXER AXLE		02
10	0503030012	HAIR PIN		02
11	0521012869	COUPLING SHAFT		02
12	0521012870	1.46" X 6.18" PIVOT SHAFT		02
13	0511019685	FLAT WASHER		04
14	0503010534	3/8 X 2-1/2 COTTERPIN		04
15	0503010002	1800 GREASE FITTING		02
16	0501018059	3/4" X 2-1/4" BOLT		04
17	0501010322	FLAT WASHER		08
18	0503010023	SPRING WASHER		14
19	0503010014	3/4" NUT		12
20	0501010500	3/4"X3"BOLT		08
21	0503013365	M20 X 2,5 X 140 BOLT		04
22	0503010023	SPRING WASHER		14
23	0571018365	SUPORTE EXHAUST		01
24	0571018374	SLEEVE		02
25	0503014928	M20 X 2,5 X 130 BOLT		02
26	0551019342	SLEEVE		02
27	0503013090	M20 X 2,5 X 100 BOLT		02
28	0571018369	SUPPORT		01
29	0571018371	SLEEVE		02



FRAME ASSY PCA

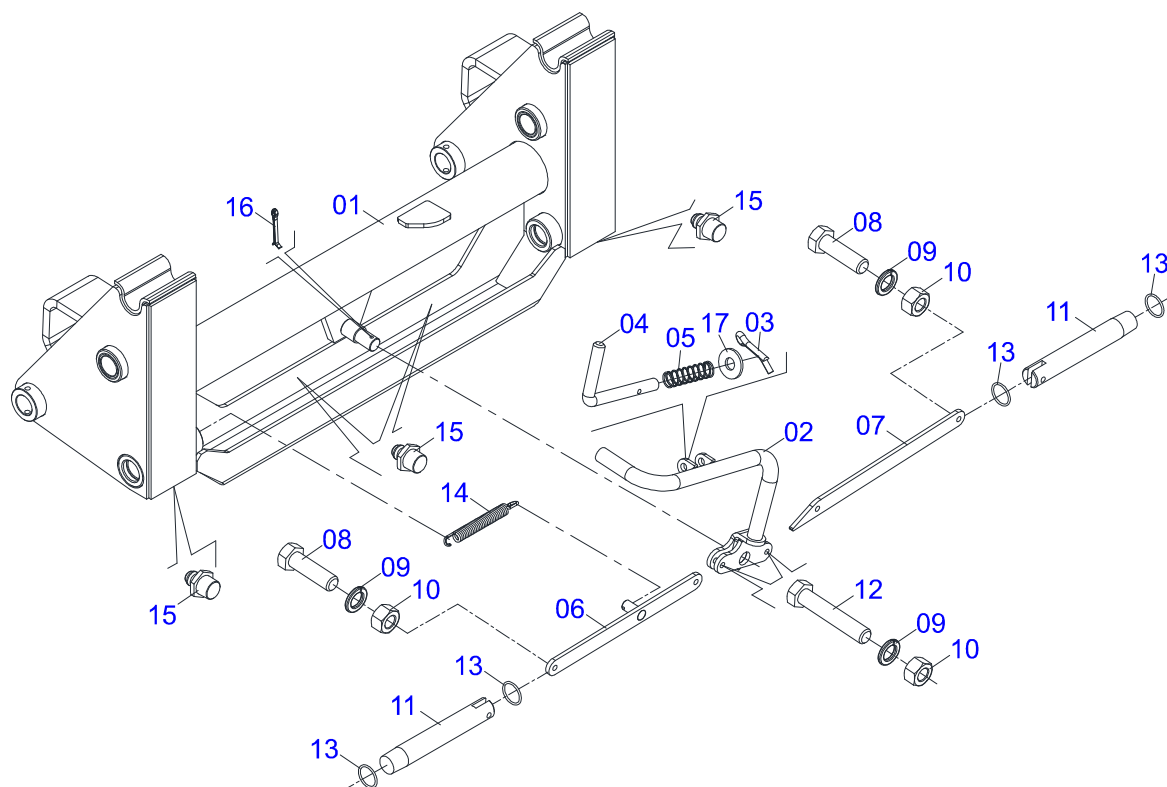
0909092684

Item	Code	Description	See page	QT
30	0503013103	M20 X 2,5 X 90 BOLT		02
31	0571018372	SLEEVE		02
32	0503012758	M20 X 2,5 X 65 BOLT		12



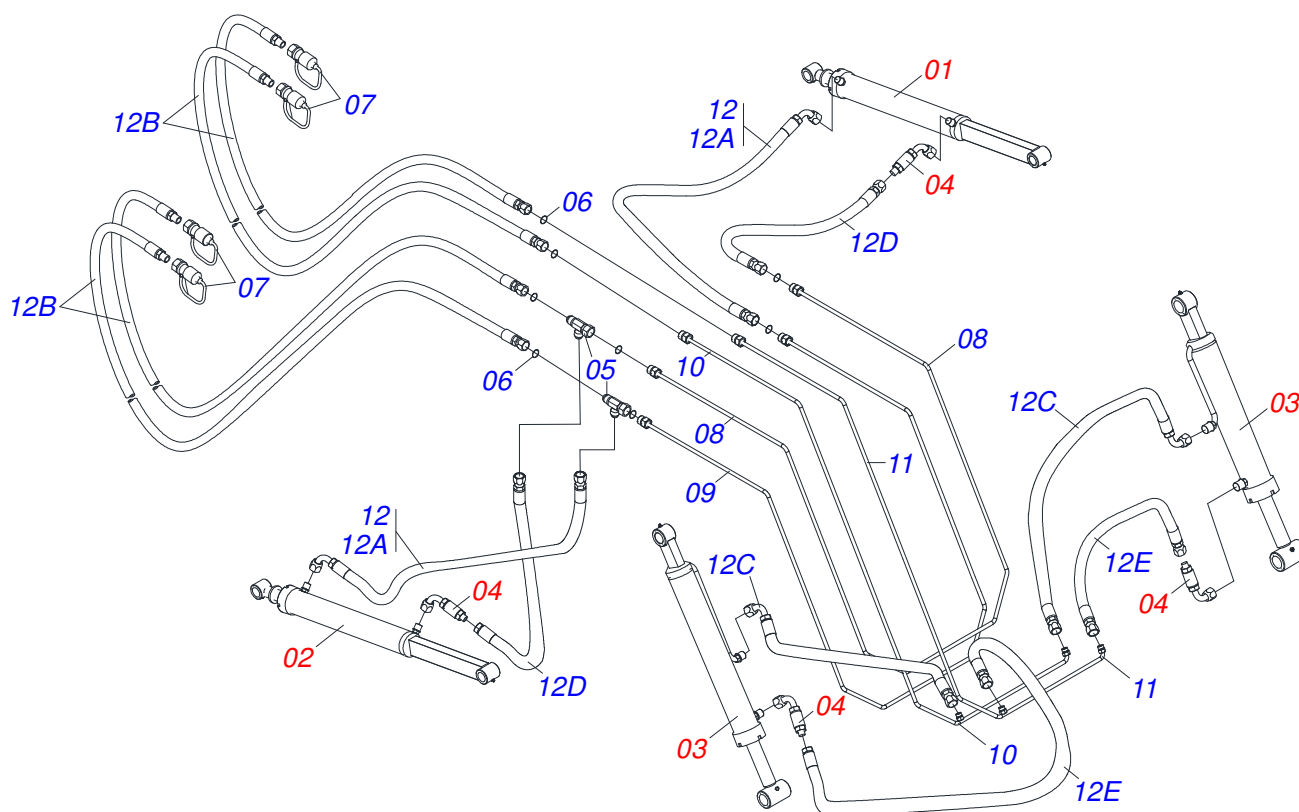
Item	Code	Description	See page	QT
01	0521067353	MOBILE SUPPORT		01
02	0541014740	SLEEVE		08
03	0503011102	PARAFUSO 7/16 UNC X 1.1/4 C S G.5		10
04	0503010180	7/16" SPRING WASHER		10
05	0531011180	UPPER BODY CLIP		10
06	0561015035	COUPLING SHAFT		02
07	0503010073	3/8 X 3-1/2 COTTERPIN		10
08	0511066079	LARGER COPY		01
09	0511043359	ARTICULATION ASSY	4	01
10	0511066123	SMALLER COPY		02
11	0511066120	LEFT SMALLER COPY		02
12	0521061020	PLOUGH SUPPORT ASSY		02
13	0503030012	HAIR PIN		02
14	0561015034	COUPLING SHAFT		06
15	0503010002	1800 GREASE FITTING		04
16	0561014067	COUPLING SHAFT		02
17	0502012530	REGULATOR NUT BODY R1 PCA		02
18	0502012562	LEFT SPINDLE R1 X 160 PCA		02
19	0502012529	RIGHT SPINDLE R1 X 160		02
20	0561015578	3/4 X 56 PCA VTR A750 COUPLING SHAFT		02
21	0503010300	5/32" X 1" COTTERPIN		04
22	0521012777	COUPLING SHAFT		02
23	0503030012	HAIR PIN		04

ARTICULATION ASSY

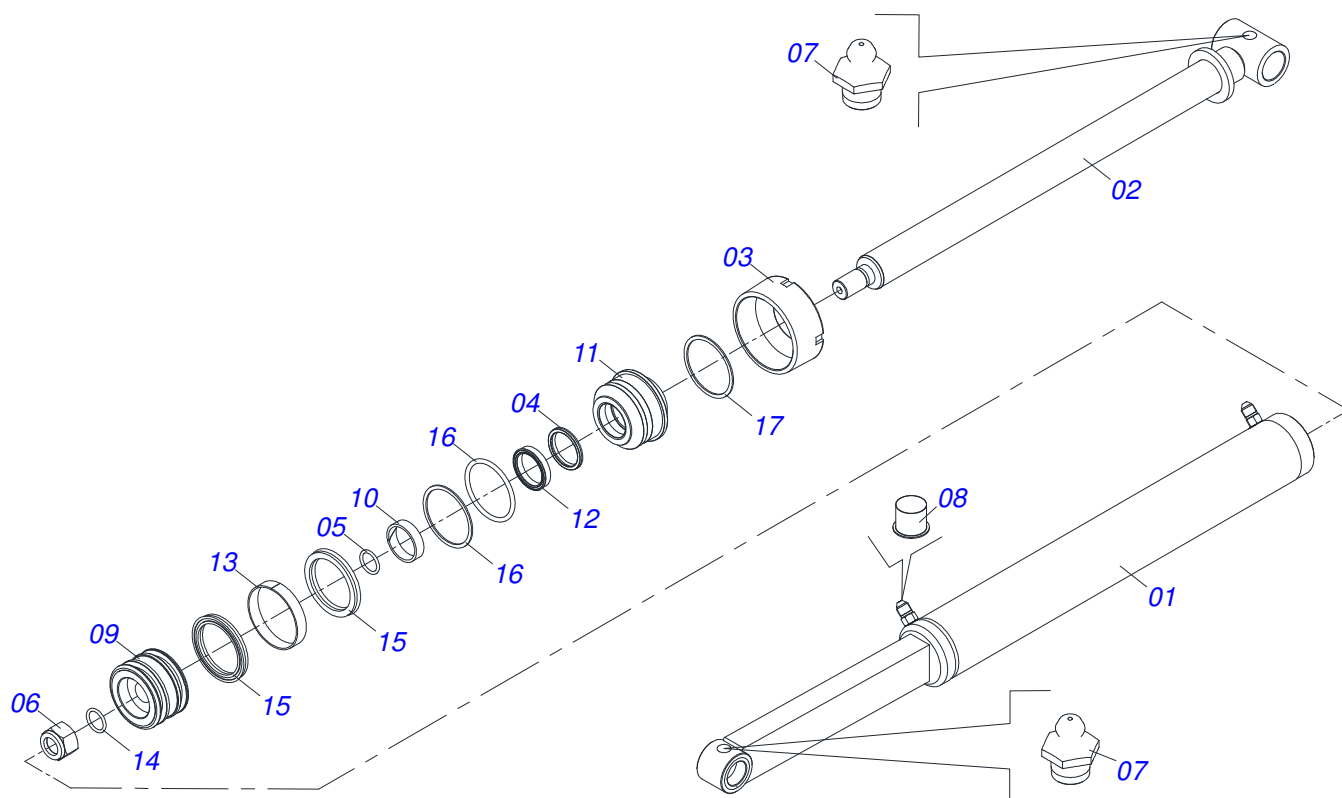


Item	Code	Description	See page	QT
01	0511066088	ARTICULATION		01
02	0521060524	DISARM LEVER		01
03	0503010071	3/16" X 1" COTTERPIN		01
04	0541014962	DISASSEMBLE TRIGGER		01
05	0503032132	COMPRESSION SPRING		01
06	0511066181	ARM DISARM		01
07	0541014964	BODY LEFT ARM DISARM		01
08	0503010849	3/8" X 1-1/2" BOLT		02
09	0503010025	3/8 SPRING WASHER		04
10	0503010026	3/8" NUT		04
11	0541014963	LOCK PIN PCA-T 1750		02
12	0501010096	3/8" X 2" BOLT		02
13	0503010285	2-222 N 3006-9B O'RING		04
14	0503031574	6.9" X 0.8" X 0.1" EXTENSION SPRING		01
15	0503010002	1800 GREASE FITTING		04
16	0503010571	1/4" X 1.1/2 COTTERPIN		01
17	0511017302	FLAT WASHER		01

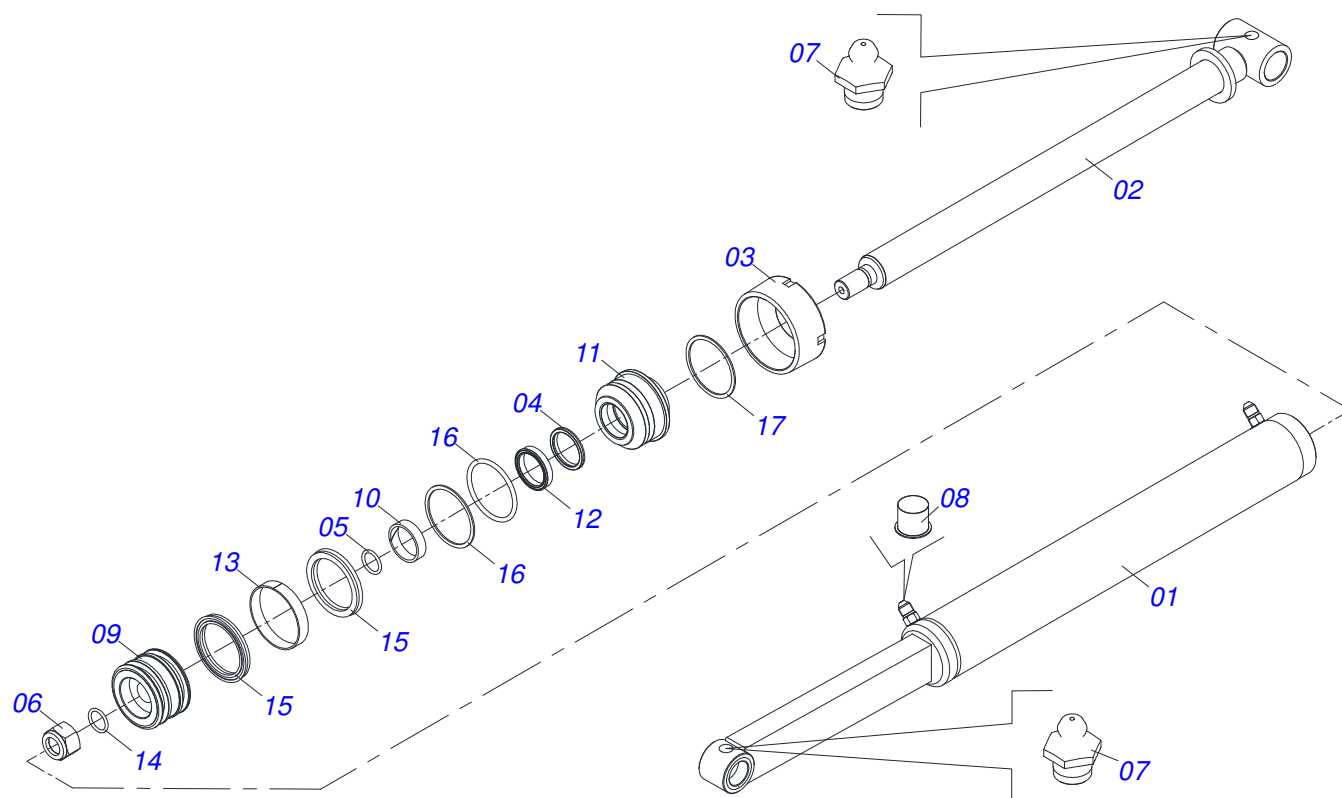




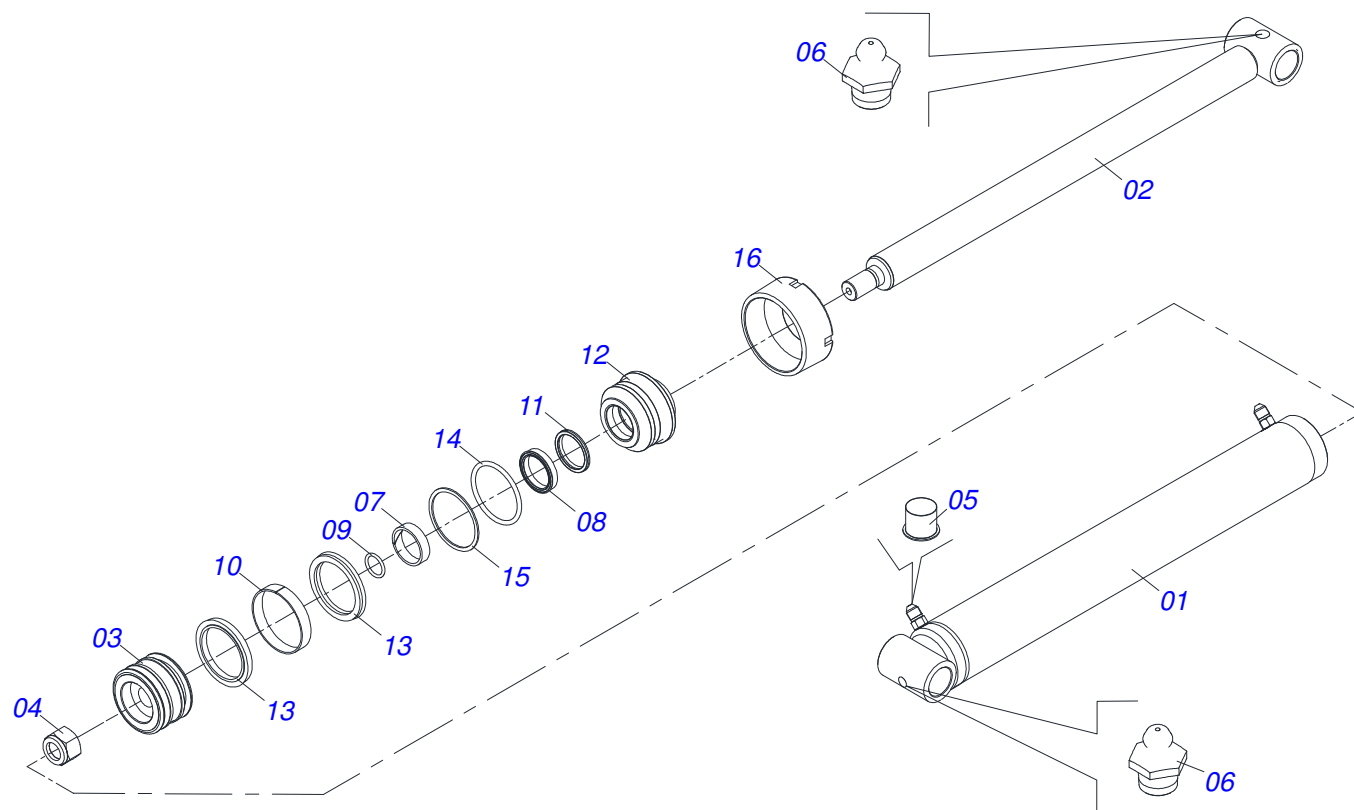
Item	Code	Description	See page	QT
01	0511057969	HYDRAULIC CILINDER	6	01
02	0511057972	HYDRAULIC CILINDER	7	01
03	0511059169	HYDRAULIC CILINDER	8	02
04	0511057810	CONJUNTO VÁLVULA DE SEGURIDAD	9	04
05	0503030964	T CONNECTOR		02
06	0503011030	2-014 N 3006-9B O'RING		22
07	0501053834	MALE QUICK COUPLING AGRICULTURAL WITH 10 COVER - 1/2 NPT		04
08	0521067358	PUMP PRESSURE TUBE		01
09	0521067356	DUCTO RETENES OLEO		01
10	0521067355	PUMP PRESSURE TUBE		01
11	0521067354	DUCT SEAL OIL		01
12	0511057097	HOSE KIT MOBILE SUPPORT FULL		01
12A	0501080970	1/2" X 23.6" TR-TC OFS HOSE		02
12B	0501081931	HOSE 1/2 X		04
12C	0501080969	1/2" X 750 TR-TC OFS HOSE		02
12D	0501081584	HOSE 1/2 X		02
12E	0501081084	HOSE		02



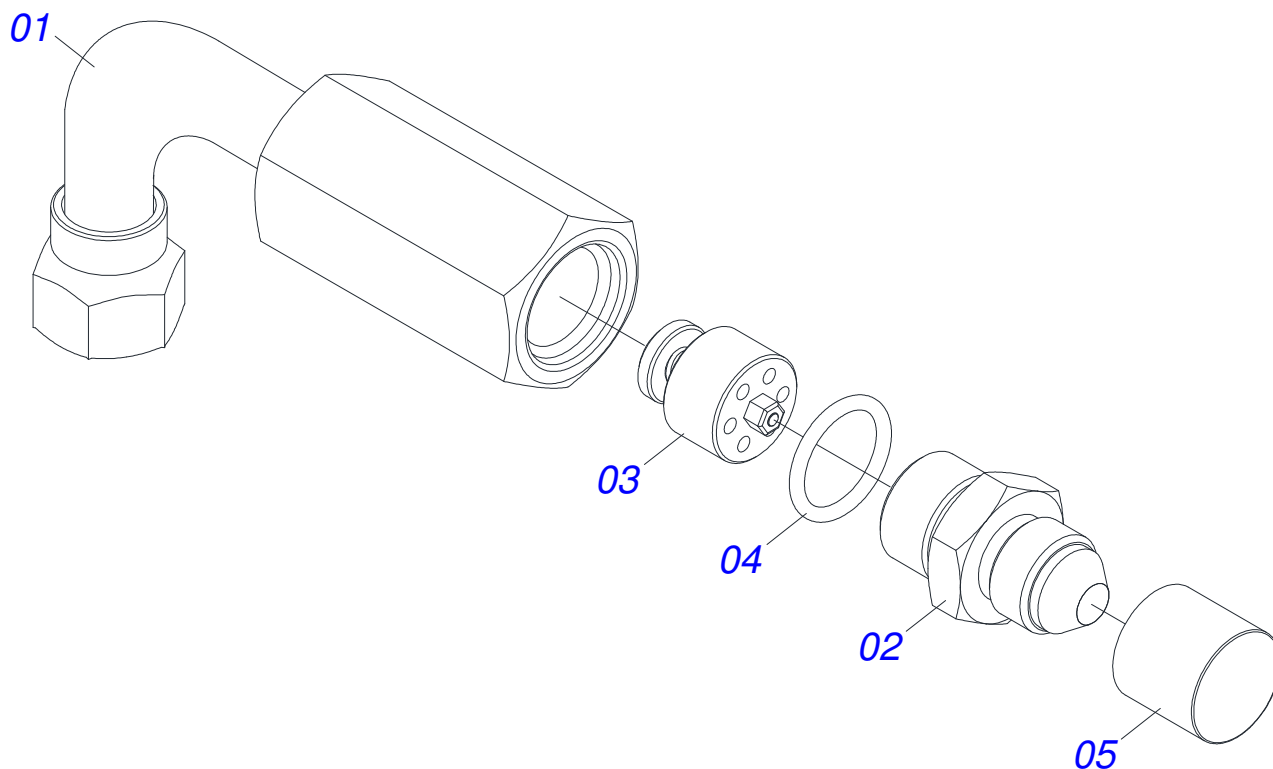
Item	Code	Description	See page	QT
001	0521064994	RH CYLINDER CASE		01
002	0521066414	44,45 X TURNBUCKLE		01
003	0571019709	DETACHABLE COVER		01
004	0503010761	D-1750 SCRAPER RING		01
005	0503010042	2-214 N 3006-9B O'RING		01
006	0503010063	1" SELF-ALIGNING NUT		01
007	0503010002	1800 GREASE FITTING		02
008	0503030387	PLUG		02
009	0571019710	1.7" X 3.4" PISTON		01
010	0503017935	RING		01
011	0571019711	RING SUPPORT		01
012	0503017937	GASKET		01
013	0503017936	RING		01
014	0503017938	RING GUIDE		01
015	0503017940	8-337 BACK-UP RING		02
016	0503017939	2-337 N 3006-9B O' RING		02
017	0503018144	RING		01



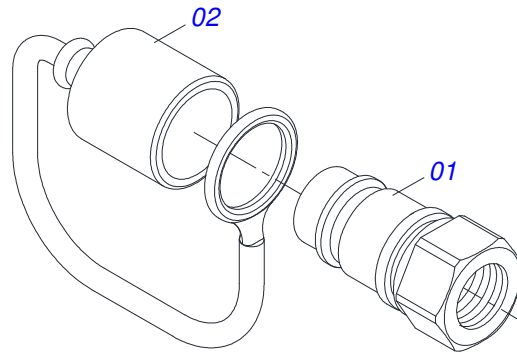
Item	Code	Description	See page	QT
001	0521064995	LH CYLINDER CASE		01
002	0521066414	44,45 X TURNBUCKLE		01
003	0571019709	DETACHABLE COVER		01
004	0503010761	D-1750 SCRAPER RING		01
005	0503010042	2-214 N 3006-9B O'RING		01
006	0503010063	1" SELF-ALIGNING NUT		01
007	0503010002	1800 GREASE FITTING		02
008	0503030387	PLUG		02
009	0571019710	1.7" X 3.4" PISTON		01
010	0503017935	RING		01
011	0571019711	RING SUPPORT		01
012	0503017937	GASKET		01
013	0503017936	RING		01
014	0503017938	RING GUIDE		01
015	0503017940	8-337 BACK-UP RING		02
016	0503017939	2-337 N 3006-9B O' RING		02
017	0503018144	RING		01



Item	Code	Description	See page	QT
001	0521066382	CYLINDER CASE OUTLET		01
002	0521066402	44,45 X TURNBUCKLE		01
003	0502012264	RING SUPPORT 1.75" X 3"		01
004	0503010063	1" SELF-ALIGNING NUT		01
005	0503030387	PLUG		02
006	0503010002	1800 GREASE FITTING		02
007	0503010949	W2-2000-500 PK RING G.E		01
008	0503011059	8-334 BACK-UP RING		01
009	0503010343	2-334 N 3006-9B O'RING		01
010	0503010761	D-1750 SCRAPER RING		01
011	0503010042	2-214 N 3006-9B O'RING		01
012	0581010304	PISTON		01
013	0503018138	RING BS		02
014	0503018140	RING GUIDE		01
015	0503017937	GASKET		01
016	0502011899	MOBILE COVER		01



Item	Code	Description	See page	QT
001	0521067686	ADAPTER ASSY		01
002	0581014051	1/2" NIPPLE		01
003	0503016854	VALVE ASSY		01
004	0503010045	2-116 N 3006-9B O'RING		01
005	0503030385	CYLINDER PLUG N-002		01



Item	Code	Description	See page	QT
01	0503011627	QUICK CONNECTION (MALE) AGR 1/2 NPT		01
02	0503011882	QUICK CONNECTION COVER		01





**MARCHESAN IMPLEMENTOS E MÁQUINAS AGRÍCOLAS TATU S.A.**

AV. Marchesan, 1979 - Post office box, 131 - CEP 15994-900 - Matão - SP - Brazil

Phone +55 16.3382-8282

(FAX Parts) + 55 16.3382. 8297 - (Export) + 55 16.3382.1003

e.mail: [tatu@marchesan.com.br](mailto:tatu@marchesan.com.br) [www.marchesan.com.br](http://www.marchesan.com.br)

**Technical Publications: Elaboration**

LUIZ CANDIDO

**Technical Publications: Revision**

JOSÉ DOMINGOS GASPARI

*Contact Catálogo:*

*E-mail = [jgaspari@marchesan.com.br](mailto:jgaspari@marchesan.com.br)*

**ORIGINAL PARTS  
TATU**

