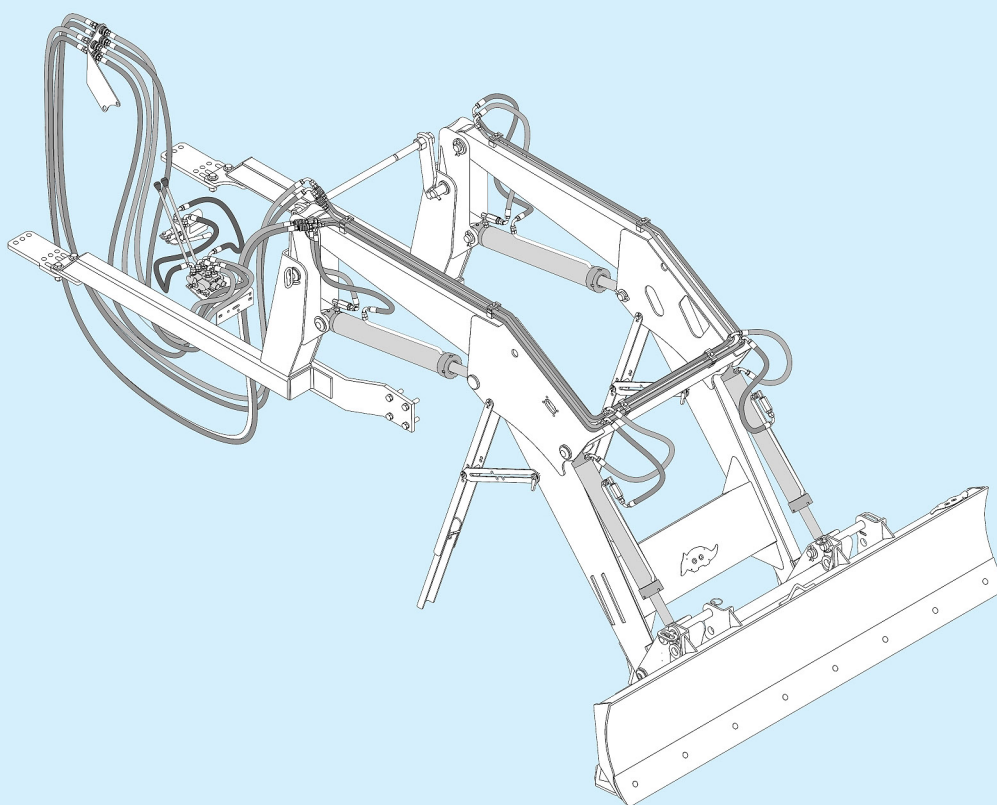


PARTS CATALOG

PCA - AGRICULTURAL FRONT LOADER

PCA 800 MF 292-4 BT CD

Code: 0501091932



Series: S-0898

Review: JULHO/2017

**ORIGINAL PARTS
TATU**



PRODUCTS

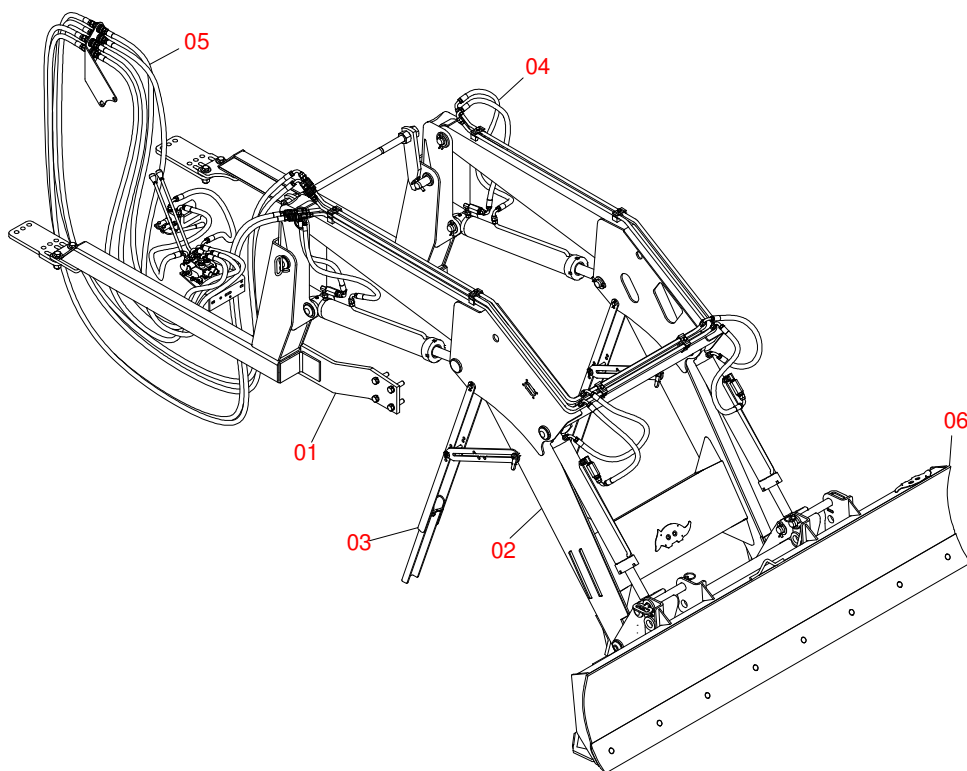
Code	Description
0106110164	PCA 800 MF 292-4 BT CD

ATTENTION: **IMPORTANT**

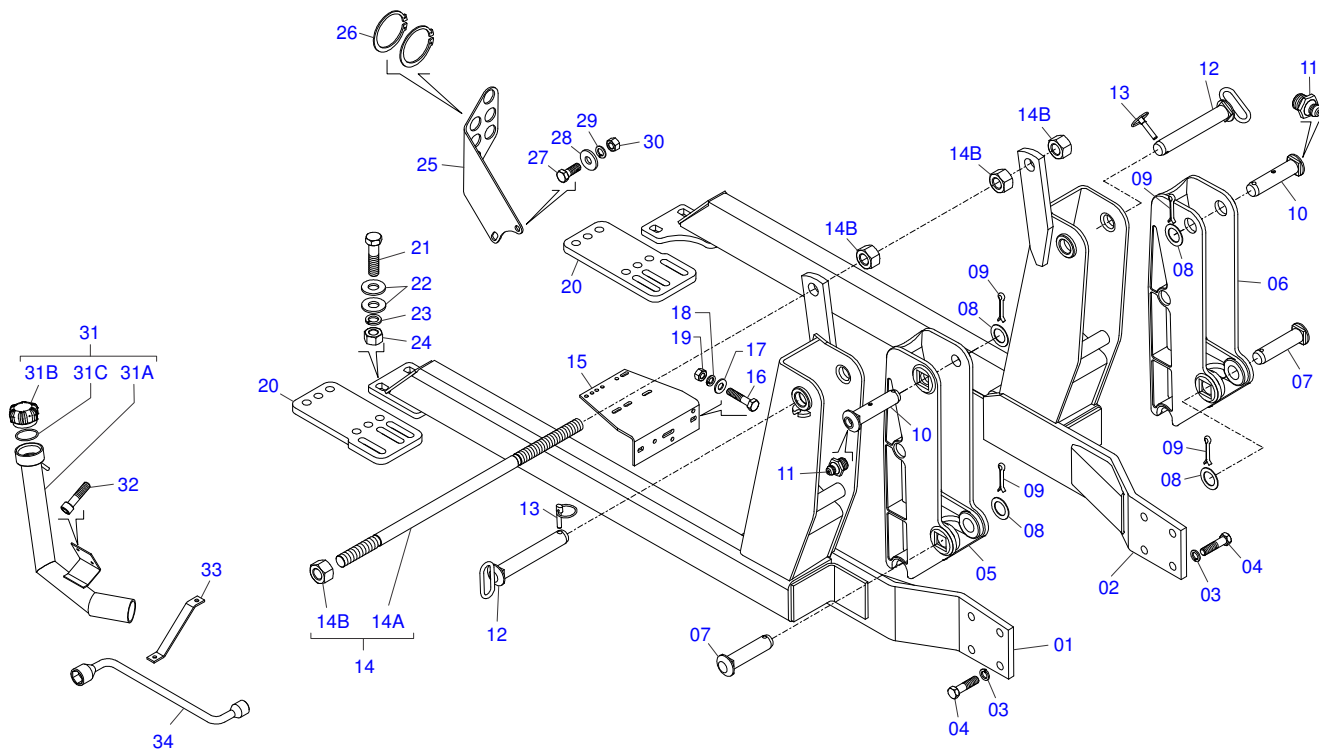
MARCHESAN S/A RESERVES THE RIGHT AT ANY TIME TO MAKE IMPROVEMENTS IN THE DESIGN, MATERIAL OR SPECIFICATIONS OF MACHINERY, EQUIPMENT OR PARTS WITHOUT THEREBY BECOMING LIABLE TO MAKE SIMILAR CHANGES IN MACHINERY, EQUIPMENT OR PARTS PREVIOUSLY SOLD.

INDEX

0106110164	PCA 800 MF 292-4 BT CD	1
0909092668	CHASSIS ASSEMBLY	2
0909092666	MOBILE HOLDER PCA 800 BT CD	3
0909092667	REST OF THE MOBILE PCA 800 SUPPORT - PCA 800	4
0909092665	HYDRAULIC CIRCUIT OF MOBILE SUPPORT - PCA 800	5
0909092669	HYDRAULIC CIRCUIT - PCA 800 BT CD	6
0501048913	3/8" DOUBLE COMMAND ASSY	7
0501041892	V002/0012 FLOW DIVIDING VALVE ASSY	8
0511057973	HIDRAULIC CYLINDER 44,45 X 76,20 X 820 X 551	9
0511057974	HYDRAULIC CYLINDER	10
0511057772	SECURITY VALVE SET	11
0501053835	FEMALE QUICK COUPLER	12
0501053834	QUICK CONECTION (MALE) 1/2	13
0909092672	LDA 2400 WITH SUPPORT - PCA 800	14
0511043382	DOZER BLADE 2400	15



Item	Code	Description	QT
01	0909092668	CHASSIS ASSEMBLY	
02	0909092666	MOBILE HOLDER PCA 800 BT CD	
03	0909092667	REST OF THE MOBILE PCA 800 SUPPORT - PCA	
04	0909092665	HYDRAULIC CIRCUIT OF MOBILE SUPPORT - PCA	
05	0909092669	HYDRAULIC CIRCUIT - PCA 800 BT CD	
06	0909092672	LDA 2400 WITH SUPPORT - PCA 800	



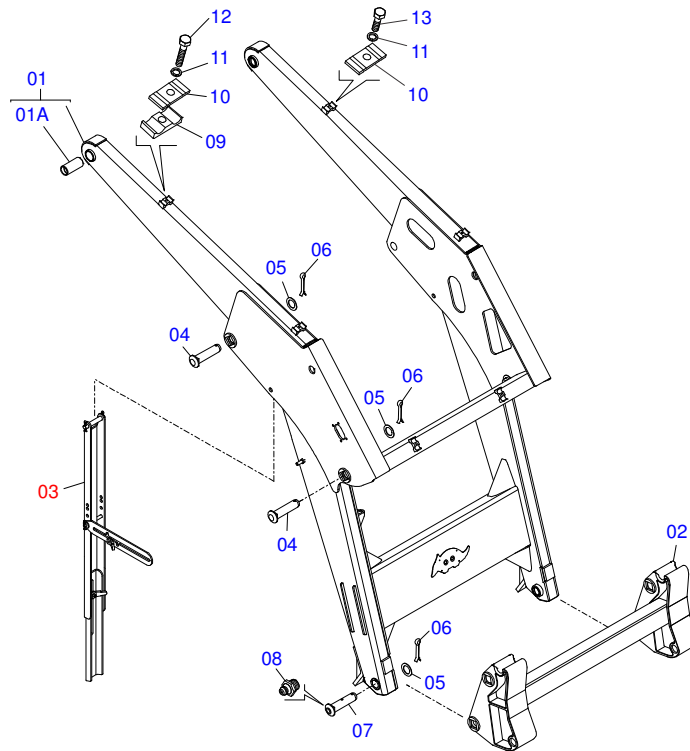
Item	Code	Description	QT
01	0511061438	RIGHT FRAME	01
02	0511061440	LEFT FRAME	01
03	0503010023	SPRING WASHER	08
04	0501018059	3/4" X 2-1/4" BOLT	08
05	0502012472	MOBILE TOWER	01
06	0502012473	LEFT MOBILE TOWER	01
07	0521012869	COUPLING SHAFT	02
08	0511019685	FLAT WASHER	04
09	0503010534	3/8 X 2-1/2 COTTERPIN	04
10	0521012870	1.46" X 6.18" PIVOT SHAFT	02
11	0503010002	1800 GREASE FITTING	02
12	0521066515	37,20 X 240 ARTICULATION SHAFT WITH HANDLE	02
13	0503030430	7/16 X 2" PIN LOCK	02
14	0501042819	1.1/4"NC X 33.46" ROD	01
14A	0501018845	1.1/4" X 33.46" ROD	01
14B	0501010087	1.1/4" NUT	04
15	0501014688	SUPPORT CONTROL VALVE	01
16	0503010421	5/16" X 1-1/2" BOLT	02
17	0501010694	FLAT WASHER	04
18	0503010179	SPRING WASHER	02
19	0503010337	5/16" NUT	02
20	0501014778	FRAME BRACKET	02
21	0501010500	3/4"X3"BOLT	04
22	0501010322	FLAT WASHER	08
23	0503010023	SPRING WASHER	04
24	0503010014	3/4" NUT	04
25	0511019730	QUICK COUPLING SUPPORT	01
26	0503010217	501040 CLAMPING RING (FOR AXLE)	08
27	0503010237	3/8" X 1" BOLT	02
28	0501010984	FLAT WASHER	02
29	0503010025	3/8 SPRING WASHER	02
30	0503010026	3/8" NUT	02
31	0501051341	TANK TUBE	01



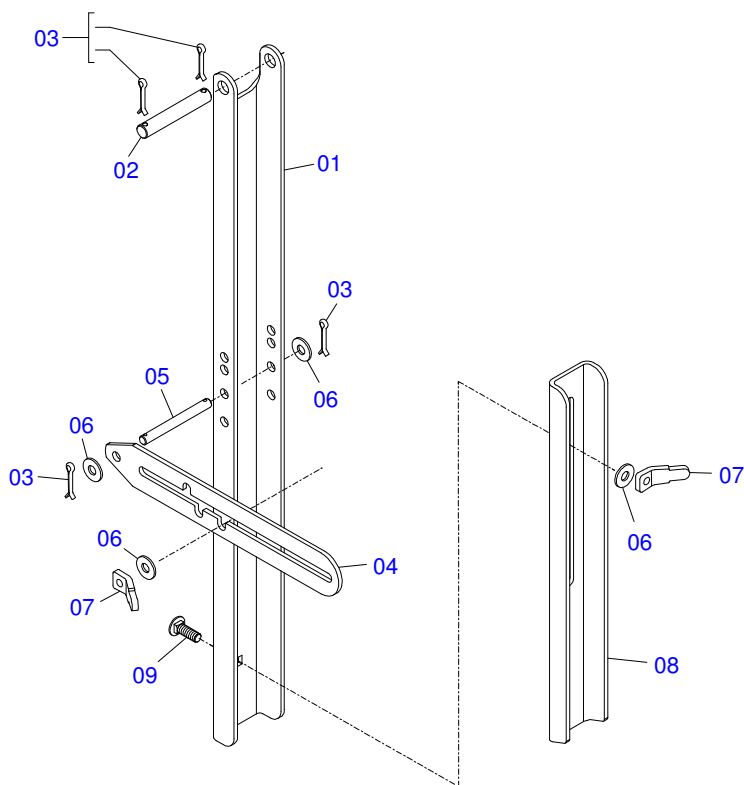
CHASSIS ASSEMBLY

0909092668

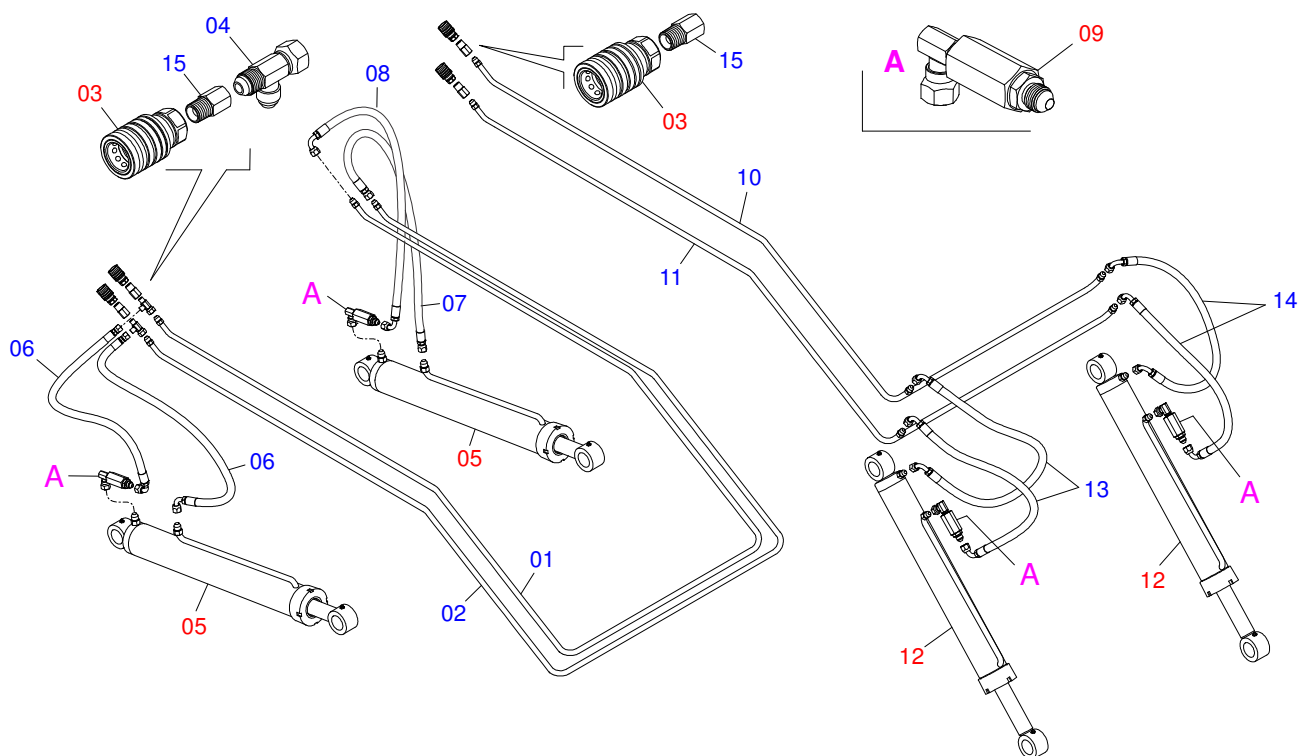
Item	Code	Description	QT
31A	0501069156	TANK TUBE	01
31B	0502020549	TANK COVER	01
31C	0503010141	2-226 N 3006-9B O'RING	01
32	0503013847	1/4 UNC X 1 CCSI 12.9 ALLEN SCREW	02
33	0521012541	REDLIGHT SUPPORT	02
34	0501068213	5/8" WRENCH DOUBLE	01



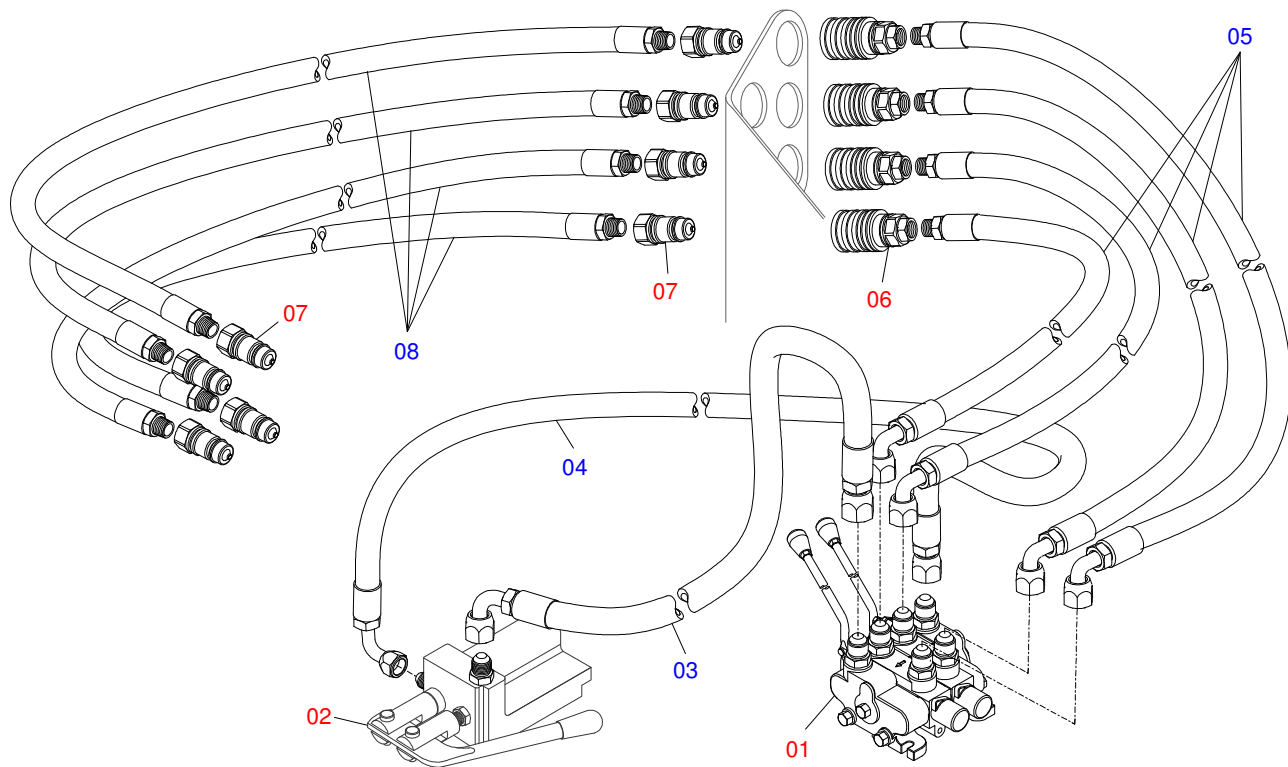
Item	Code	Description	QT
01	0501069453	MOBILE SUPPORT	01
01A	0501110286	SLEEVE	04
02	0501069146	JOINT SUPPORT PCA 800	01
03	0909092667	REST OF THE MOBILE PCA 800 SUPPORT - PCA	02
04	0521012868	1.4" X 5" PIVOT SHAFT	02
05	0511019685	FLAT WASHER	02
06	0503010534	3/8 X 2-1/2 COTTERPIN	06
07	0521012870	1.46" X 6.18" PIVOT SHAFT	02
08	0503010002	1800 GREASE FITTING	02
09	1902010477	UPPER CLAMP BODY	04
10	0531011180	UPPER BODY CLIP	06
11	0503010180	7/16" SPRING WASHER	06
12	0503012555	7/16" X 2" BOLT	04
13	0503011102	PARAFUSO 7/16 UNC X 1.1/4 C S G.5	02



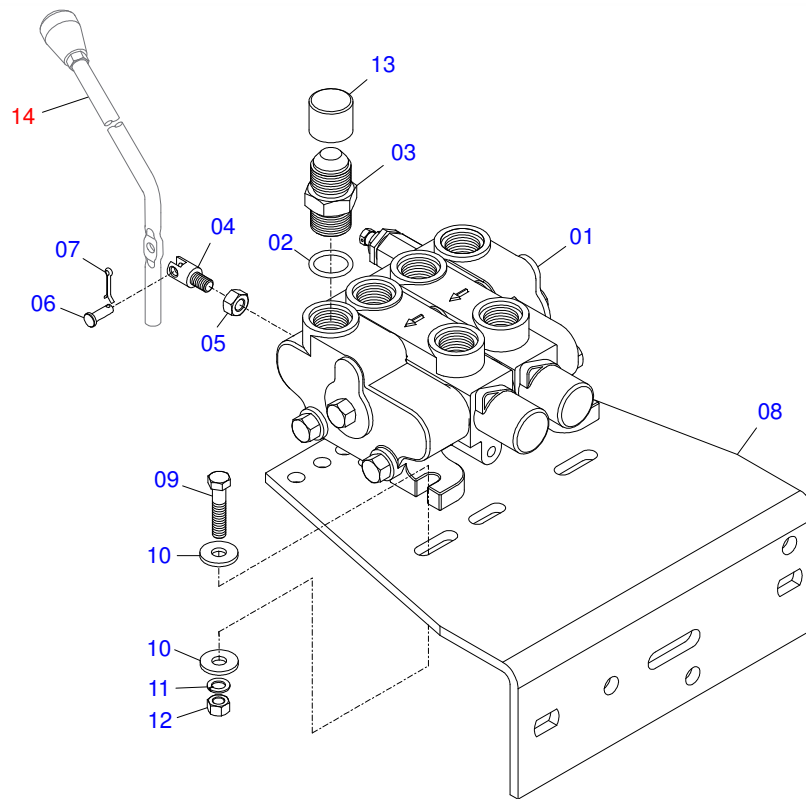
Item	Code	Description	QT
01	0561016401	PLOUGH SUPPORT BODY	02
02	0511013598	3/4" X 4.7" COUPLING SHAFT	02
03	0503010071	3/16" X 1" COTTERPIN	08
04	0511019634	CONTROL LOCK	02
05	0521012823	COUPLING SHAFT	02
06	0511017302	FLAT WASHER	08
07	0561016329	LATCH HOLDER REST PCA	04
08	0561016619	COMPLEMENTON REST	02
09	0503014378	1/2" X 1-1/2" BOLT	02



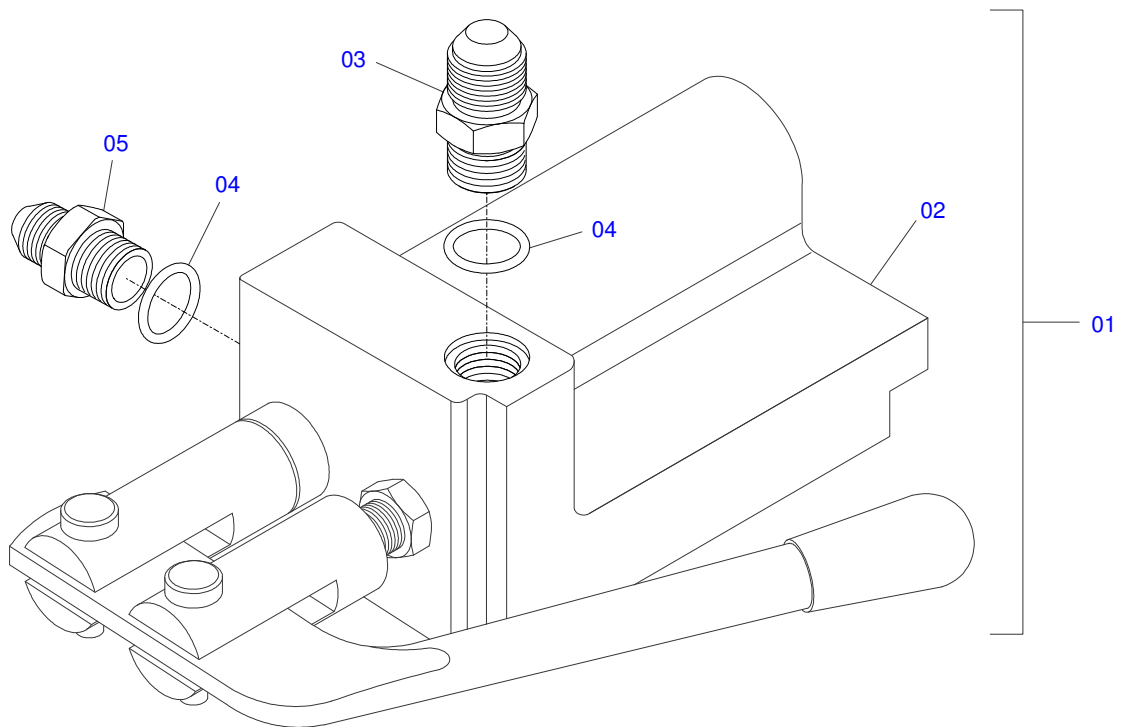
Item	Code	Description	QT
01	0501069861	INNER OIL TUBE	01
02	0501069860	OUTER OIL TUBE	01
03	0501053835	FEMALE QUICK COUPLER	04
04	0503011968	T ADAPTOR WITH GIRAT	02
05	0511057974	HYDRAULIC CYLINDER	02
06	0501080150	TR-TC HOSE ASSY	02
07	0501080105	TR-TR HOSE ASSY	01
08	0501080766	3/8" X 27.56" TC-TC HOSE	01
09	0511057772	SECURITY VALVE SET	04
10	0501069858	LH RIGHT OIL TUBE	01
11	0501069857	RIGHT RIGHT OIL TUBE	01
12	0511057973	HIDRAULIC CYLINDER 44,45 X 76,20 X 820 X 551	02
13	0501080777	LH 3/8" X 25.9" TC-TC HOSE	02
14	0501080688	3/8" X 25" TC-TC 90G HOSE	02
15	0511019876	1/2" NIPPLE	04



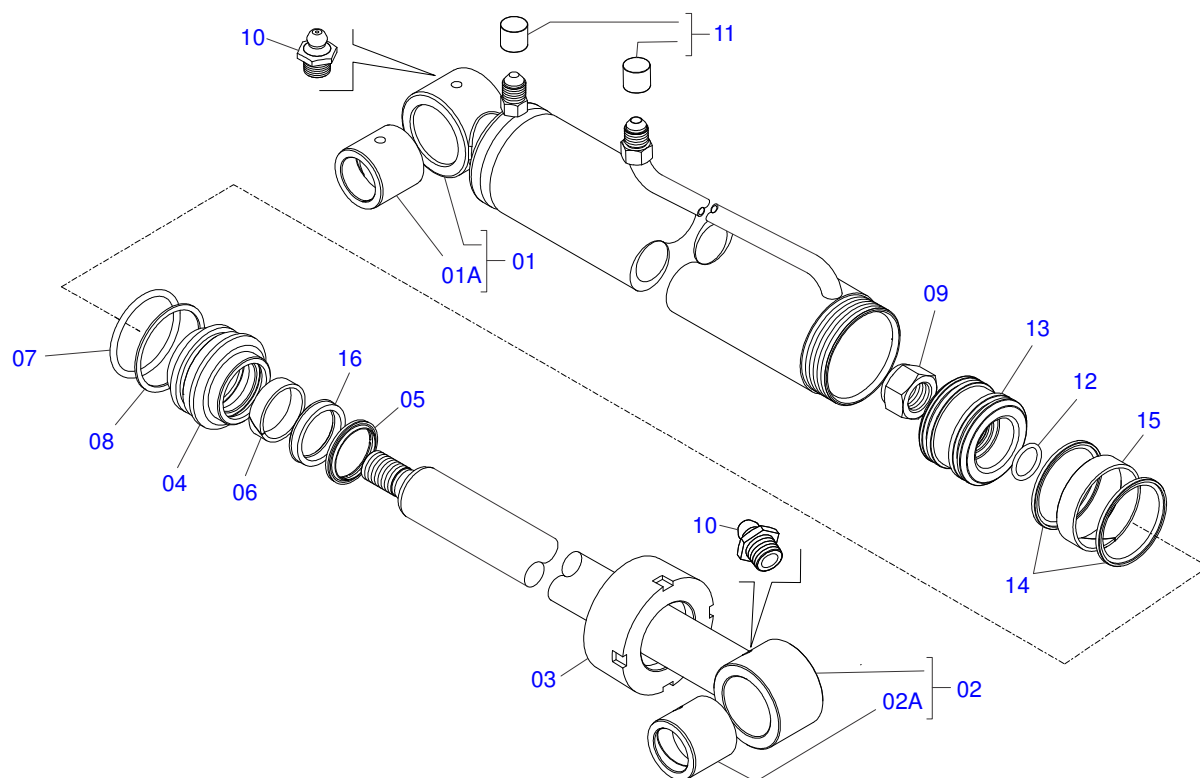
Item	Code	Description	QT
01	0501048913	3/8" DOUBLE COMMAND ASSY	01
02	0501041892	V002/0012 FLOW DIVIDING VALVE ASSY	01
03	0501080092	1/2" X 700 TR-TC HOSE	01
04	0501080249	3/8" X 33" TR-TC HOSE ASSY	01
05	0501080207	3/8 X 800 TR-TM HOSE ASSY	04
06	0501053835	FEMALE QUICK COUPLER	04
07	0501053834	QUICK CONECTION (MALE) 1/2	08
08	0501080361	3/8" X 157" TR-TM HOSE ASSY	04



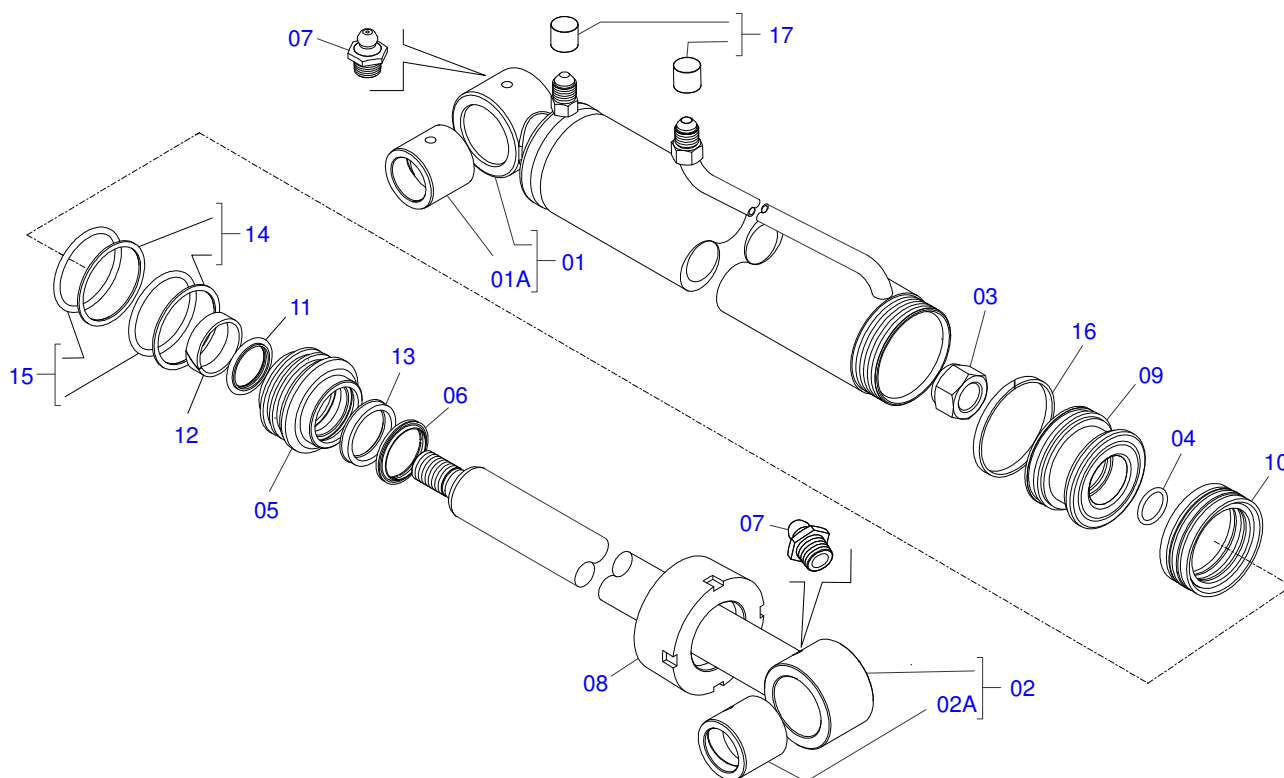
Item	Code	Description	QT
01	0503060079	3/8" DOUBLE COMMAND VALVE	01
02	0503010045	2-116 N 3006-9B O'RING	06
03	0501010590	7/8" REDUCTION NIPPLE	06
04	0503011050	LOWER LEVER	02
05	0503010337	5/16" NUT	02
06	0521010532	0.3" X 0.9" COUPLING SHAFT	02
07	0503010140	1/8" X 3/4" COTTERPIN	02
08	0501014688	SUPPORT CONTROL VALVE	01
09	0501010080	3/8" BOLT	03
10	0501010984	FLAT WASHER	05
11	0503010025	3/8 SPRING WASHER	03
12	0503010026	3/8" NUT	03
13	0503030387	PLUG	06
14	0501047849	CONTROL VALVE (PD F 6630/7630 BT)	02



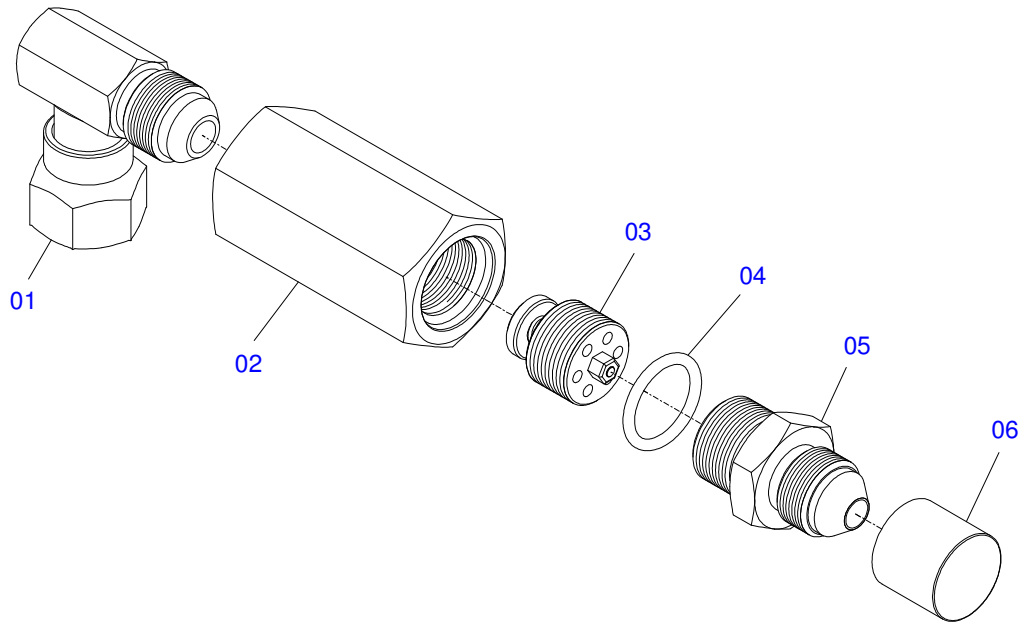
Item	Code	Description	QT
01	0501041892	V002/0012 FLOW DIVIDING VALVE ASSY	01
02	0503060064	V002-0012 FLOW DIVIDING VALVE	01
03	0511010111	7/8" NIPPLE	01
04	0503010190	2-114 N 3006-9B O'RING	01
05	0501010617	3/4" NIPPLE	01



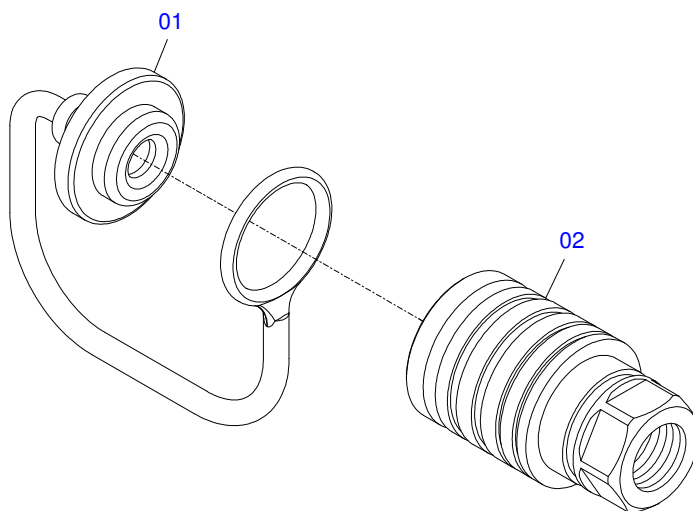
Item	Code	Description	QT
01	0521066381	CYLINDER CASE 76,20 X 723	01
01A	0521010514	38,1 X 52,9 X 50 SLEEVE INTER	01
02	0511065578	1.7" X 28.18" TURNBUCLE	01
02A	0521010514	38,1 X 52,9 X 50 SLEEVE INTER	01
03	0502011899	MOBILE COVER	01
04	0502012264	RING SUPPORT 1.75" X 3"	01
05	0503010761	D-1750 SCRAPER RING	01
06	0503010949	W2-2000-500 PK RING G.E	01
07	0503010343	2-334 N 3006-9B O'RING	01
08	0503011059	8-334 BACK-UP RING	01
09	0503010063	1" SELF-ALIGNING NUT	01
10	0503010002	1800 GREASE FITTING	02
11	0503030385	PLUG	02
12	0503010042	2-214 N 3006-9B O'RING	01
13	0581010304	PISTON	01
14	0503018138	RING BS	02
15	0503018140	RING GUIDE	01
16	0503017937	GASKET	01



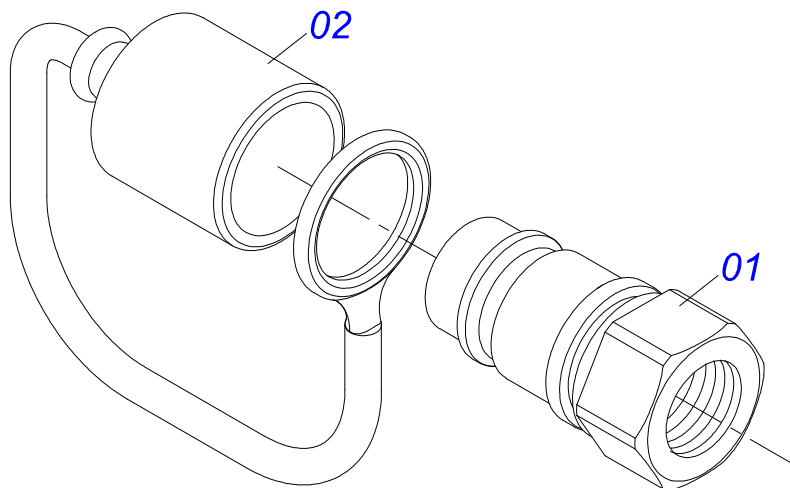
Item	Code	Description	QT
01	0511069198	BODY SHIRT WITH MAKING	01
01A	0521010514	38,1 X 52,9 X 50 SLEEVE INTER	01
02	0521066404	44,45 X 772 TURNBUCKLE	01
02A	0521010514	38,1 X 52,9 X 50 SLEEVE INTER	01
03	0503010063	1" SELF-ALIGNING NUT	01
04	0503010042	2-214 N 3006-9B O'RING	01
05	0571019711	RING SUPPORT	01
06	0503010761	D-1750 SCRAPER RING	01
07	0503010002	1800 GREASE FITTING	02
08	0571019709	DETACHABLE COVER	01
09	0571019710	1.7" X 3.4" PISTON	01
10	0503017935	RING	01
11	0503017936	RING	01
12	0503017938	RING GUIDE	01
13	0503017937	GASKET	01
14	0503017940	8-337 BACK-UP RING	02
15	0503017939	2-337 N 3006-9B O' RING	02
16	0503018144	RING	01
17	0503030385	PLUG	02



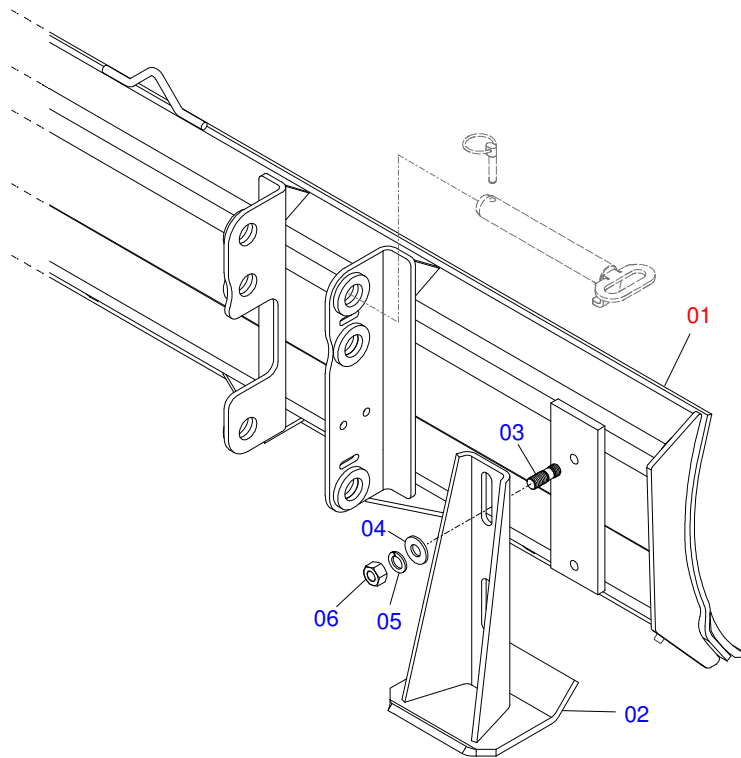
Item	Code	Description	QT
01	0503018034	MALE KNEE JIC	01
02	0581014055	ADAPTER	01
03	0503016854	VALVE ASSY	01
04	0503010045	2-116 N 3006-9B O'RING	01
05	0581014054	BSP 1/2" NIPPLE	01
06	0503030385	PLUG	01



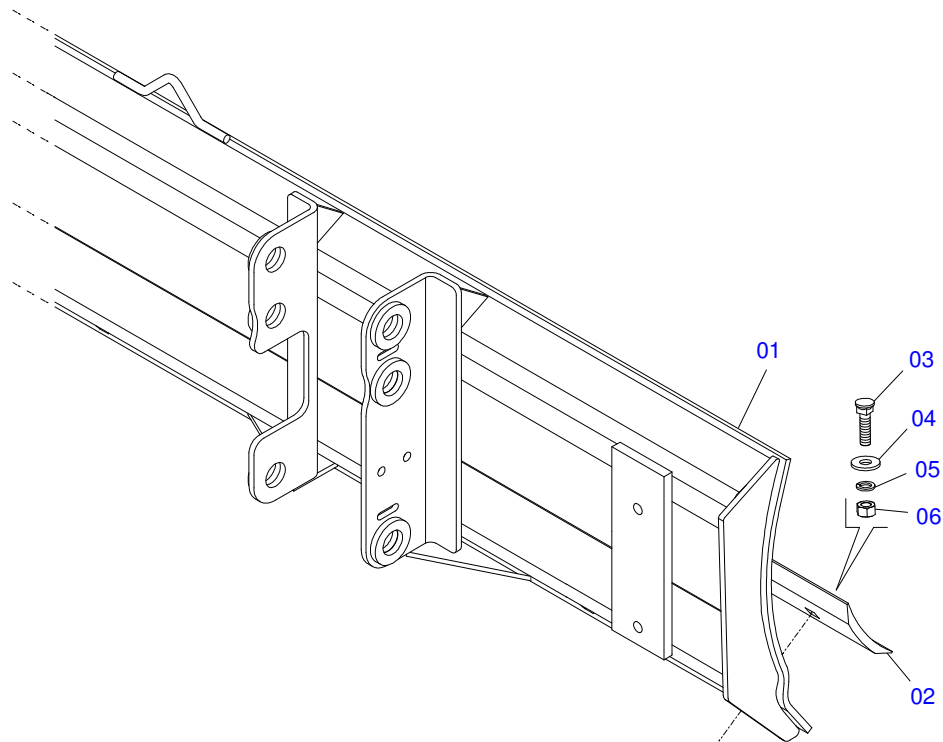
Item	Code	Description	QT
01	0503011883	QUICK CONNECTION COVER	01
02	0503011628	FEMALE QUICK COUPLER	01



Item	Code	Description	QT
01	0503011627	QUICK CONNECTION (MALE) AGR 1/2 NPT	01
02	0503011882	QUICK CONNECTION COVER	01



Item	Code	Description	QT
01	0511043382	DOZER BLADE 2400	01
02	0501063411	ESTABILIZER BRACKET	02
03	0561016756	3/4 UNC X 3/4 UNC X 56 PRISONER	04
04	0501810322	FLAT WASHER	04
05	0503010023	SPRING WASHER	04
06	0503010014	3/4" NUT	04



Item	Code	Description	QT
01	0501069112	2400MM DOZER BLADE	01
02	0622360016	94.5" SCRAPER REVERSIBLE	01
03	0501012240	5/8" X 2-1/2" BOLT	08
04	0501012140	FLAT WASHER	08
05	0503011445	SPRING WASHER	08
06	0503010013	5/8" NUT	08



MARCHESAN IMPLEMENTOS E MÁQUINAS AGRÍCOLAS TATU S.A.

AV. Marchesan, 1979 - Post office box, 131 - CEP 15994-900 - Matão - SP - Brazil

Phone +55 16.3382-8282

(FAX Parts) + 55 16.3382. 8297 - (Export) + 55 16.3382.1003

e.mail: tatu@marchesan.com.br www.marchesan.com.br

Technical Publications: Elaboration

JOÃO VIRGINIO ROCHA

Technical Publications: Revision

JOÃO VIRGINIO ROCHA

Contact Catálogo:

E-mail = jgaspari@marchesan.com.br

**ORIGINAL PARTS
TATU**

