

**PCA - AGRICULTURAL FRONT LOADER**

**PCA 600 2C VALTRA A750 A A950 BT SC SL**

**Code:** 0501091911

**Series:** S-0716

**Revision:** 00

**Date Revision:** ABRIL/2021

# **PARTS CATALOGUE**



**MARCHESAN**



# PRODUCTS

Code	Description
0106111698	PCA 600 2C VTR A750/850/950 BT SC S/AC S-0716

## ATTENTION: IMPORTANT

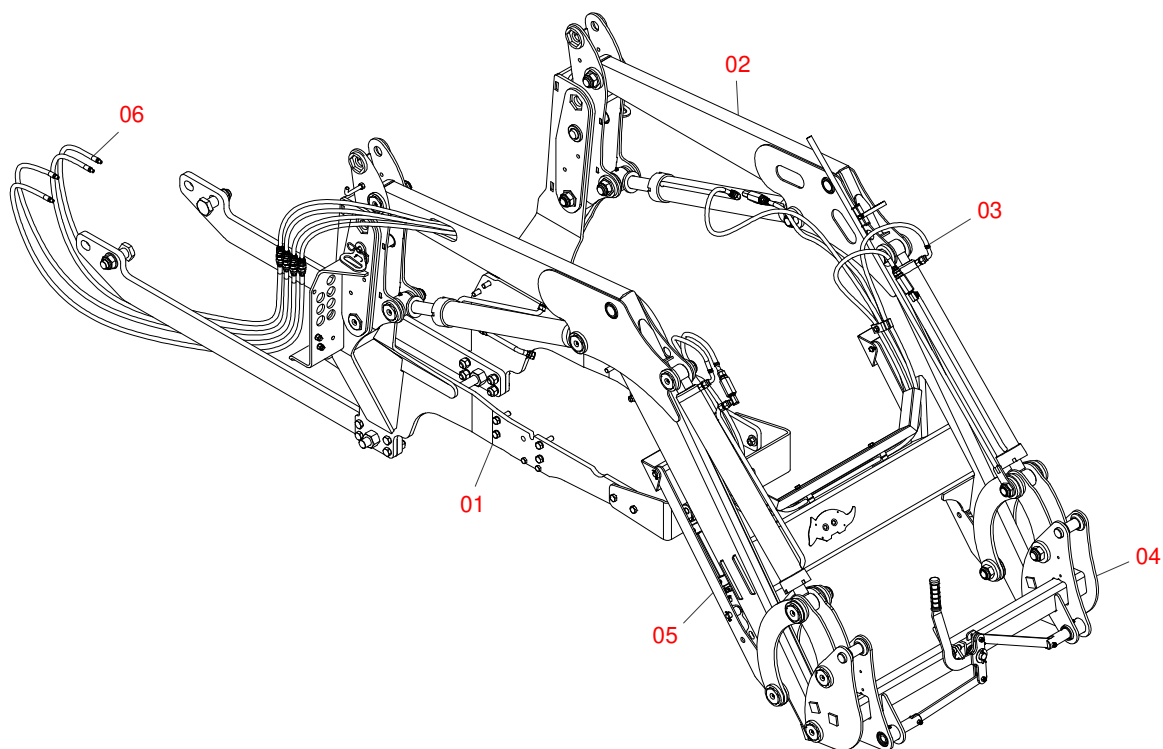
Marchesan S.A. reserves the right to improve and / or modify the technical features of its products, without obligation to do the same with those products already sold and without prior knowledge of the dealer or the consumer.



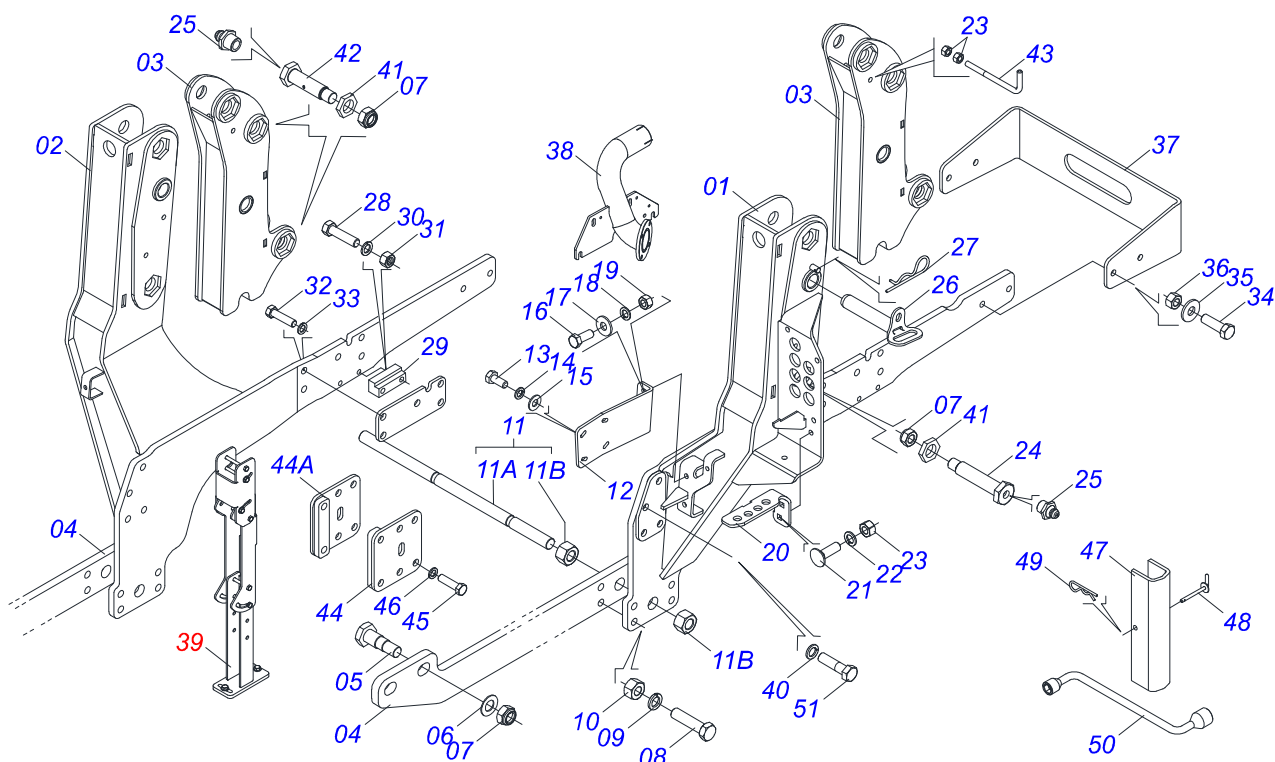
**MARCHESAN**

# INDEX

0106111698	PCA 600 2C VTR A750/850/950 BT SC S/AC S-0716	.....	1
0909092473	CHASSIS ASSEMBLY PCA 600	.....	2
0521046965	FULL MOBILE STAND	.....	3
0909092474	ARTICULATOR ASSEMBLY	.....	4
0909092475	RESTING WITH NUT MOUNT HOLDER	.....	5
0521050255	LEFT HYDRAULIC CYLINDER 44,45 X 76,20 X 845 X 555	.....	6
0521050256	RIGHT HYDRAULIC CYLINDER 44,45 X 76,20 X 845 X 555	.....	7
0521045379	LEFT HYDRAULIC CYLINDER Ø44,45 X Ø 76,10 X 918	.....	8
0521045380	RIGHT HYDRAULIC CYLINDER Ø44,45 X Ø76,10 X 918	.....	9
0909092587	HOSE SET - BT	.....	10
0511057772	SECURITY VALVE ASSY	.....	11



Item	Code	Description	See page	QT
01	0909092473	CHASSIS ASSEMBLY PCA 600	2	
02	0521046965	FULL MOBILE STAND	3	
03	0909092479	HYDR CIRCUIT MOBILE HOLDER PCA 600		
04	0909092474	ARTICULATOR ASSEMBLY	4	
05	0909092475	RESTING WITH NUT MOUNT HOLDER	5	
06	0909092587	HOSE SET - BT	10	



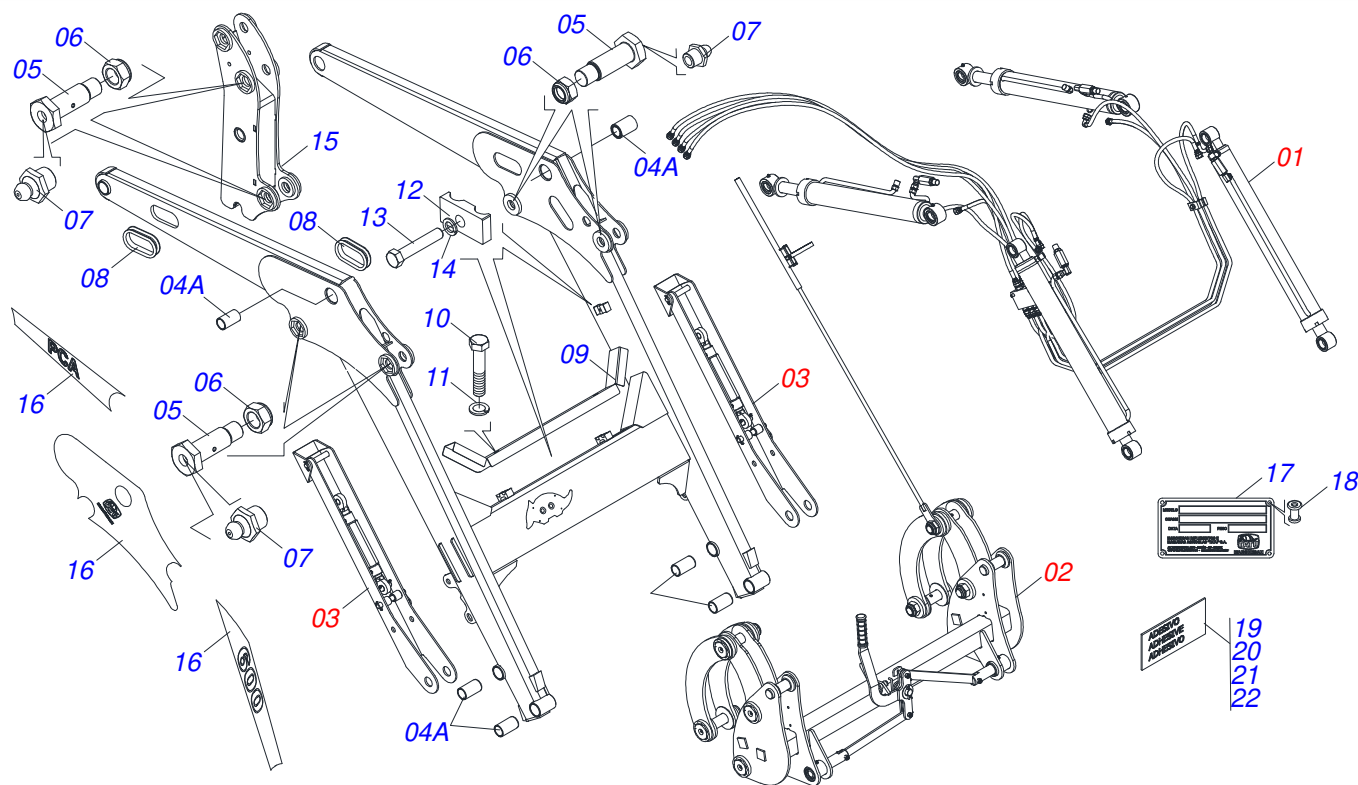
Item	Code	Description	See page	QT
01	0521067466	RIGHT FRAME		01
02	0521067465	LEFT FRAME		01
03	0521067487	MOBILE TOWER		02
04	0571019093	REAR COUPLING BAR		02
05	0571019101	1.1/4 UNF X 110 BOLT		02
06	0521011132	FLAT WASHER		02
07	0503010044	1-1/4" SELF LOCKING NUT		08
08	0501010500	3/4"X3"BOLT		08
09	0503010023	3/4" SPRING WASHER		08
10	0503010014	3/4" NUT		08
11	0501044434	1" NC X 700 ROD W/NUTS		01
11A	0501014753	1" NC X 700 ROD		01
11B	0501010087	1.1/4" NUT		04
12	0521067467	COMMAND SUPPORT		01
13	0503016506	5/16 UNC X 3/4 C S G.5 ZN BOLT		04
14	0503010179	5/16" ZN SPRING WASHER		04
15	0501010694	8.5 X 18 X 1.5 FLAT WASHER		04
16	0503010395	1/2" X 1-1/4" BOLT		02
17	0511017302	FLAT WASHER		02
18	0503010019	1/2" SPRING WASHER		02
19	0503010060	1/2" NUT		02
20	0521067472	MULTI CONNECTOR COUPLING BRACKET PCA/PD VTR A750		01
21	0503014378	1/2" X 1-1/2" BOLT		02
22	0503010019	1/2" SPRING WASHER		02
23	0503810060	NUT 1/2 NC S SA		02
24	0581013410	1.1/4" UNF X 155 BOLT		02
25	0503010002	1800 GREASE FITTING		06
26	0521067468	MOBILE HOLDER COUPLING HUB		02
27	0503030012	HAIR PIN		02
28	0503011730	M16 X 2 X 60 BOLT		04
29	0581013402	BEATER VTR A750/850/950		02



## CHASSIS ASSEMBLY PCA 600

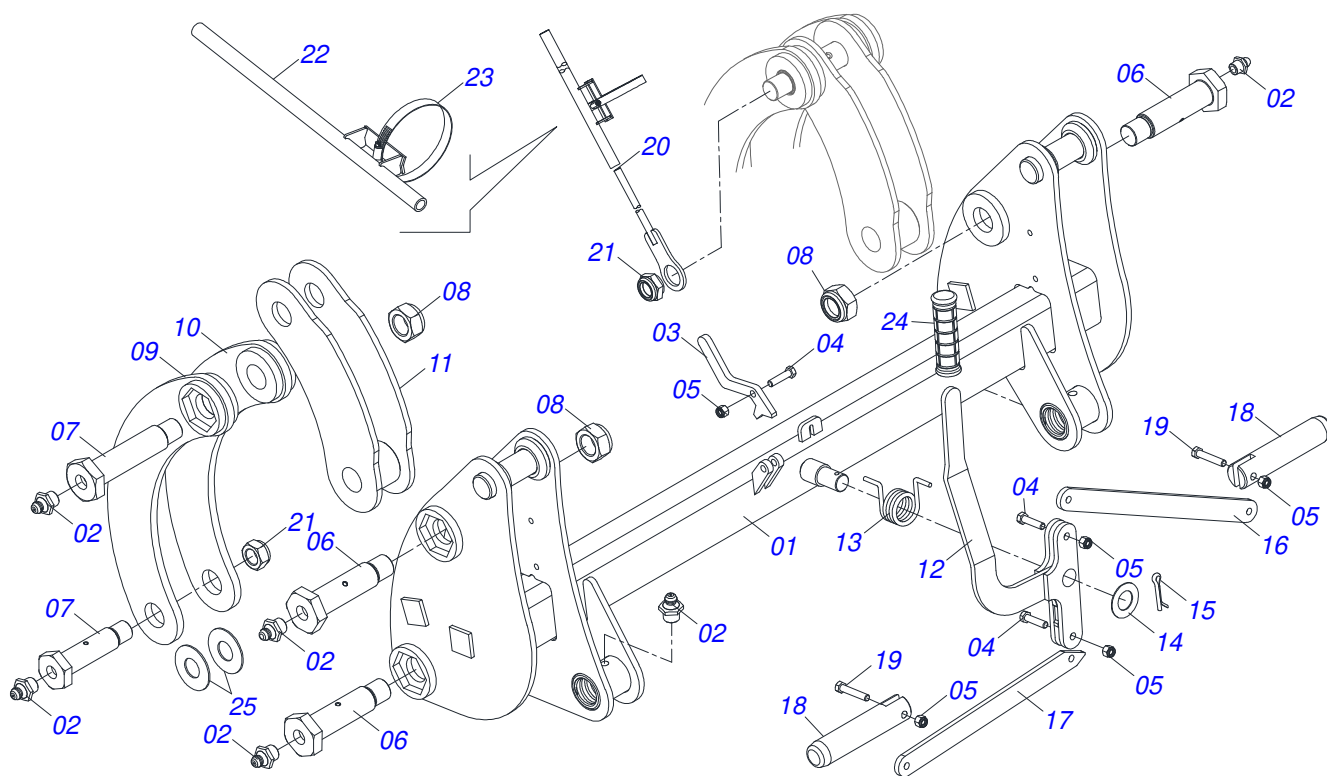
0909092473

Item	Code	Description	See page	QT
30	0503010019	1/2" SPRING WASHER		04
31	0503010060	1/2" NUT		04
32	0503011730	M16 X 2 X 60 BOLT		08
33	0503010027	5/8" SPRING WASHER		08
34	0501010100	SCREW 5/8 UNC X 2 CS G.5 ZN		04
35	0503010027	5/8" SPRING WASHER		04
36	0503010013	5/8" NUT		04
37	0571017231	FRONT PROTECTOR		01
38	0521067469	EXHAUST ADAPTER		01
39	0521045393	SET SUPPORT JOY STICK		01
40	0503010019	1/2" SPRING WASHER		04
41	0581010243	WASHER HEX		06
42	0571018264	1.1/4" UNF X 149 ZN BOLT		04
43	0581010285	CONTROL LOCKING HOOK		01
44	0521067351	RIGHT FRAME LOCK		01
44A	0521067359	LEFT FRAME LOCK		01
45	0503011730	M16 X 2 X 60 BOLT		06
46	0503010019	1/2" SPRING WASHER		06
47	0531017238	LOCK TRANSPORT		02
48	0501868994	LOCK AXLE		02
49	0503030168	HAIR PIN		02
50	0501068213	5/8" WRENCH DOUBLE		01
51	0503011730	M16 X 2 X 60 BOLT		04
52	0571017227	CHASSIS SHIM - PCA VTR A750/850/950		02



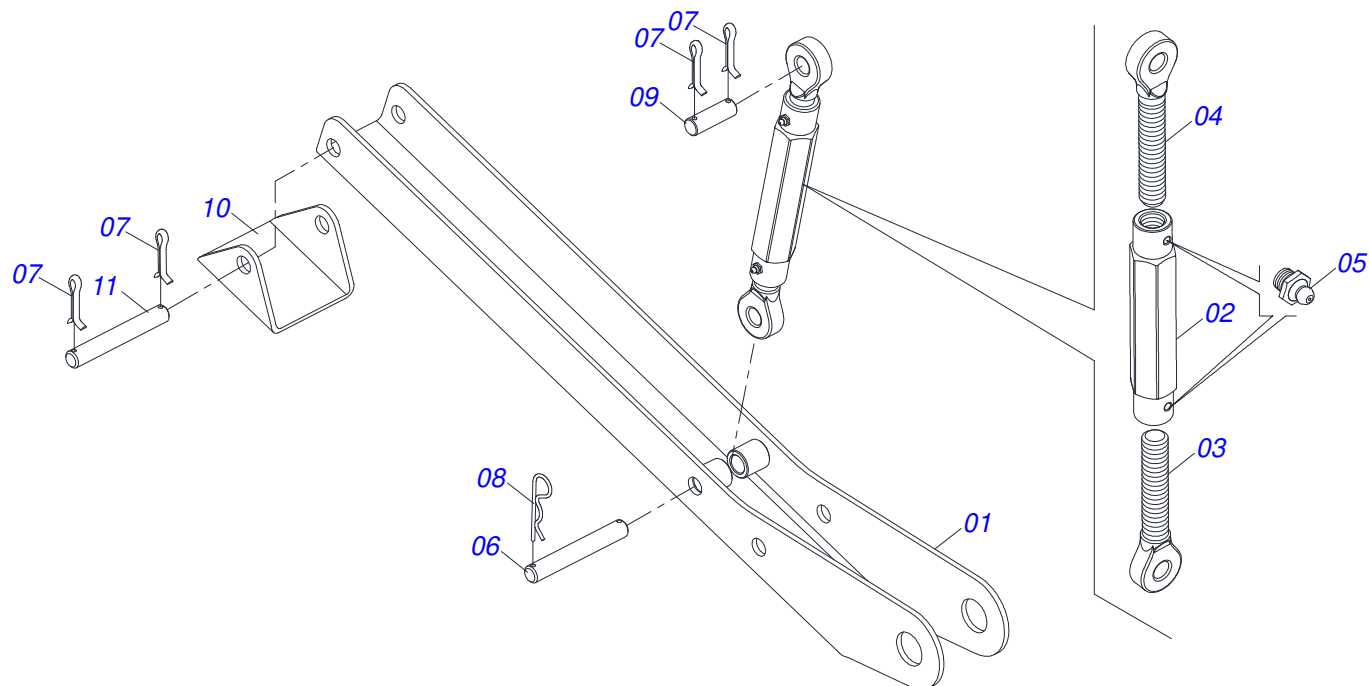
Item	Code	Description	See page	QT
01	0909092479	HYDR CIRCUIT MOBILE HOLDER PCA 600		01
02	0909092474	ARTICULATOR ASSEMBLY	4	01
03	0909092475	RESTING WITH NUT MOUNT HOLDER	5	01
04	0521067475	MOBILE SUPPORT		01
04A	0501110800	Ø37,70 X Ø55 X 80 BUSHING PCA-T 1500		08
05	0581013575	1.1/4 UNF X 85 BOLT		04
06	0503010044	1-1/4" SELF LOCKING NUT		04
07	0503010002	1800 GREASE FITTING		04
08	0503034364	HOSE PROTECTOR		02
09	0521065758	PIPELINE PROTECTION		01
10	0503012555	SCREW 7/16 UNC X 2 CS RT G.7 ZN		02
11	0503010180	7/16" SPRING WASHER		02
12	1902010477	UPPER CLAMP BODY		03
13	0503012555	SCREW 7/16 UNC X 2 CS RT G.7 ZN		01
14	0503010180	7/16" SPRING WASHER		01
15	0521067487	MOBILE TOWER		02
16	0503062658	SET LABEL ADHESIVE PCA 600 2C		01
17	0503034003	SERIAL NUMBER TAG 61 X 118		01
18	0503010001	3.2 X 5.5 RIVET		04
19	0503034078	LIFTING POINTS DECAL		03
20	0503031087	ADHESIVE LABEL		01
21	0503031428	READ MANUAL DECAL		01
22	0503031827	LUBRICATE AND RETIGHTEN DAILY DECAL		01

ARTICULATOR ASSEMBLY

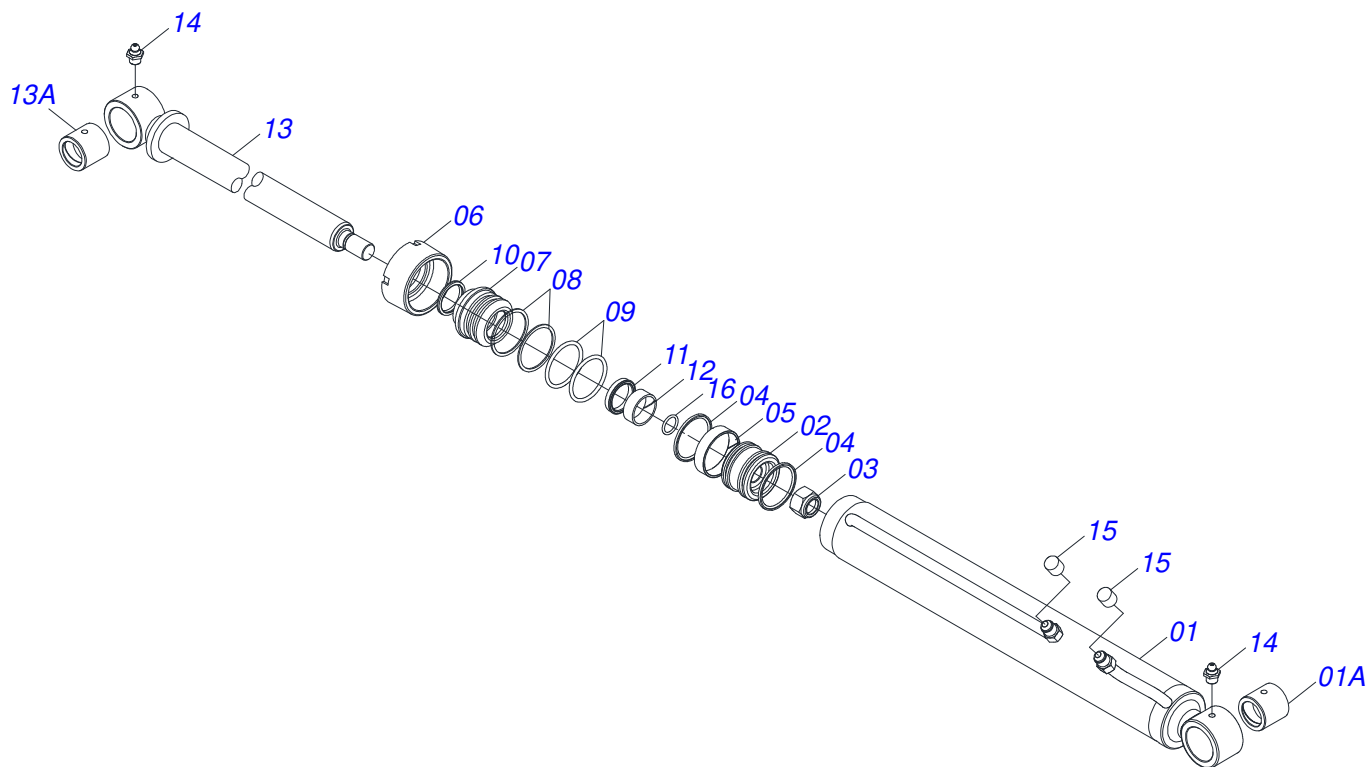


Item	Code	Description	See page	QT
01	0521065697	ARTICULATOR	01	
02	0503010002	1800 GREASE FITTING	10	
03	0571018934	PENDULUM LOCKS	01	
04	0503010849	3/8" X 1-1/2" BOLT	03	
05	0503013357	3/8" SELF-ADJUSTING NUT	05	
06	0571018264	1.1/4" UNF X 149 ZN BOLT	04	
07	0571018245	1.1/4" UNF X 139 BOLT	04	
08	0503010044	1-1/4" SELF LOCKING NUT	07	
09	0521067473	EXTERNAL ARM OF THE ARTICULATOR	02	
10	0521067474	INTERNAL ARM OF THE ARTICULATOR	02	
11	0521067478	LOWER ARTICULATOR	02	
12	0521065888	LEVER	01	
13	0503034192	TORSION SPRING	01	
14	0561811883	28,5 X 51,5 X 1,50 SA FLAT WASHER	01	
15	0503010523	1/4" X 2" COTTERPIN	01	
16	0571018935	SPRING SUPPORT ARM	01	
17	0571018125	RIGHT ARM OF THE UNLOCK	01	
18	0571018129	PIN LOCK ACCESSORY	02	
19	0503011236	3/8" X 2" BOLT	02	
20	0521068692	LEVEL ROD	01	
21	0571018205	1.1/4"XUNF NUT WITH RECESS	01	
22	0521067968	ROD GUIDE	01	
23	0503011372	102 TO 121 CLAMP	01	
24	0503037382	Ø25 X 120 PVC HANDLE	01	
25	0551014871	FLAT WASHER	04	

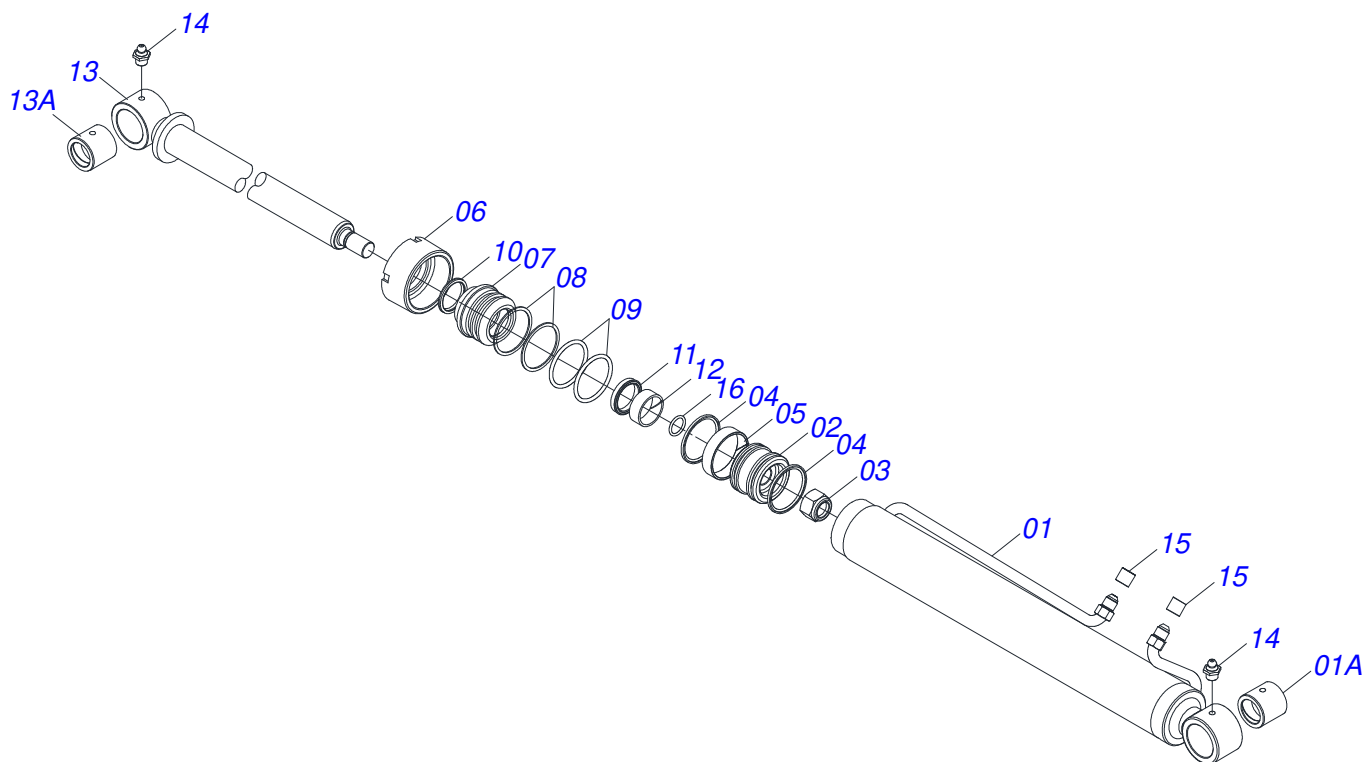




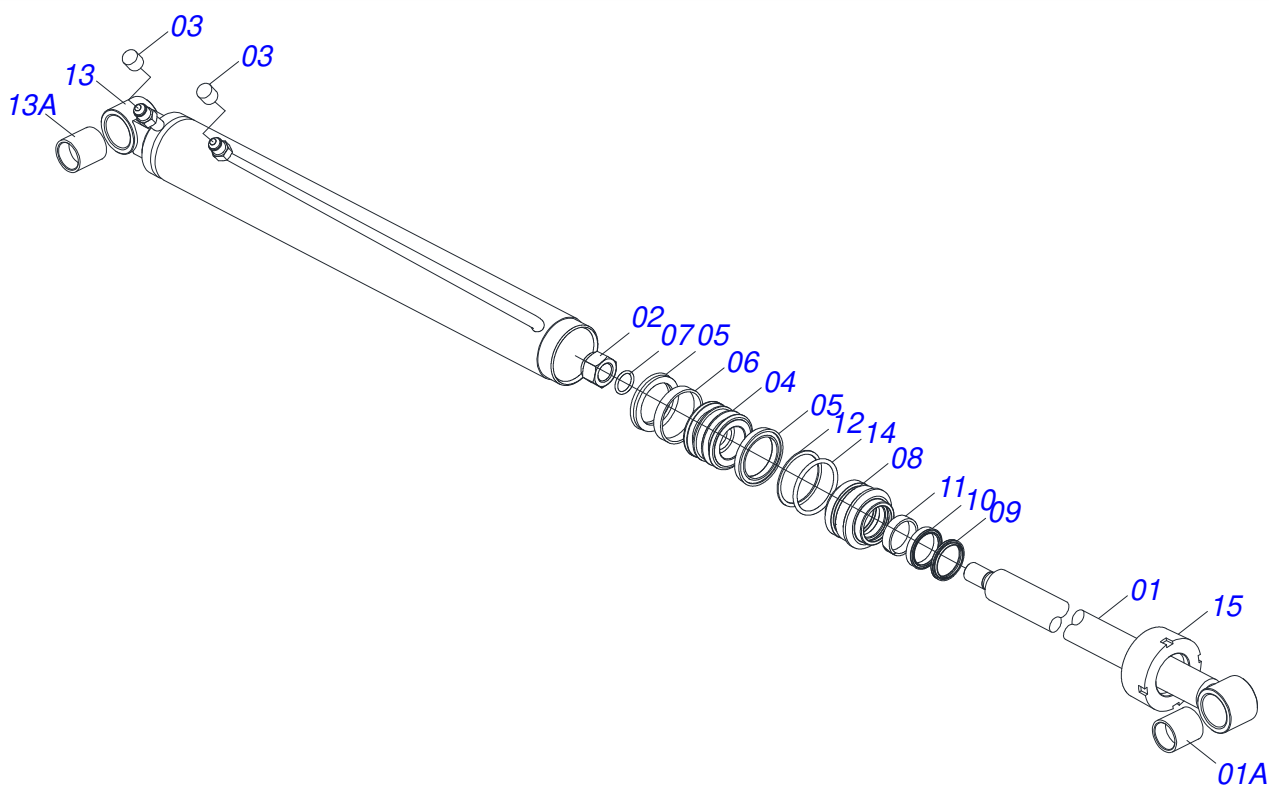
Item	Code	Description	See page	QT
01	0521065756	PLOUGH SUPPORT BODY		02
02	0502012530	REGULATOR NUT BODY R1		02
03	0502012562	LEFT SPINDLE R1 X 160		02
04	0502012529	RIGHT SPINDLE R1 X 160		02
05	0503010002	1800 GREASE FITTING		04
06	0511013598	3/4" X 4.7" COUPLING SHAFT		02
07	0503010071	3/16" X 1" COTTERPIN		06
08	0503030012	HAIR PIN		02
09	0561015578	3/4 X 56 PCA VTR A750 COUPLING SHAFT		02
10	0571018252	REST BASE		02
11	0521012777	COUPLING SHAFT		02



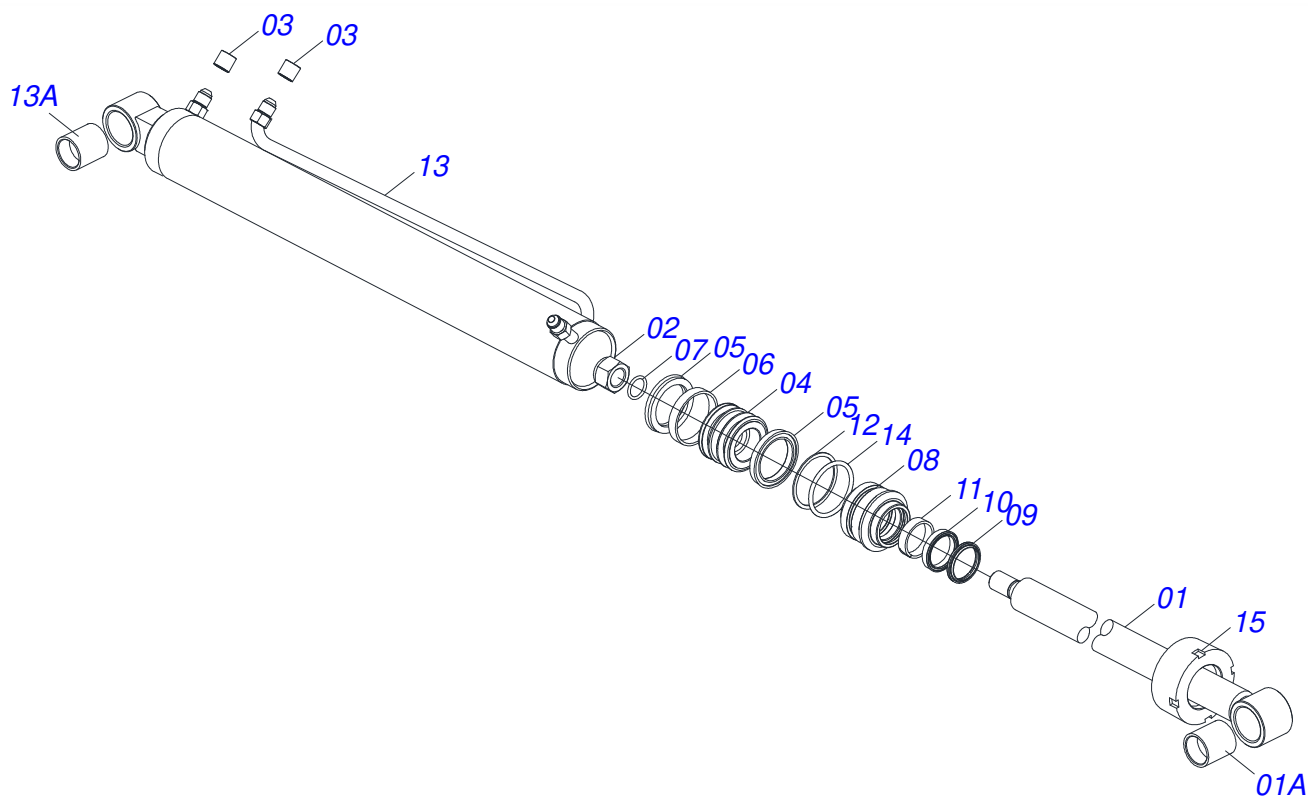
Item	Code	Description	See page	QT
01	0521067486	76,20 X 740,50 LEFT CYLINDER CASE		01
01A	0521010514	38,1 X 52,9 X 50 SLEEVE INTER		01
02	0581010304	PISTON		01
03	0503010063	1" SELF-ALIGNING NUT		01
04	0503018138	RING BS		02
05	0503018140	RING GUIDE		01
06	0502011899	MOBILE COVER		01
07	0581010301	RING SUPPORT		01
08	0503011059	8-334 BACK-UP RING		02
09	0503010343	2-334 N 3006-9B O'RING		02
10	0503010761	D-1750 SCRAPER RING		01
11	0503017937	GASKET		01
12	0503017938	RING GUIDE		01
13	0521067543	44,45 X 774 AIR TURNBUCKLE		01
13A	0521010514	38,1 X 52,9 X 50 SLEEVE INTER		01
14	0503010002	1800 GREASE FITTING		02
15	0503030385	CYLINDER PLUG N-002		02
16	0503010042	2-214 N 3006-9B O'RING		01



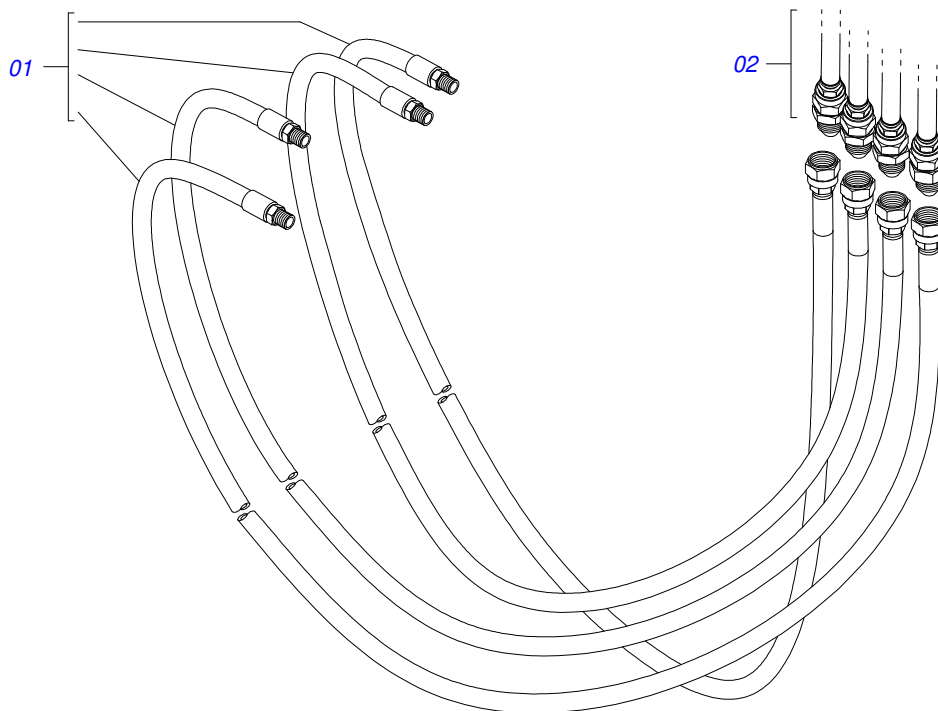
Item	Code	Description	See page	QT
01	0521067485	76,20 X 740,50 RIGHT CYLINDER CASE		01
01A	0521010514	38,1 X 52,9 X 50 SLEEVE INTER		01
02	0581010304	PISTON		01
03	0503010063	1" SELF-ALIGNING NUT		01
04	0503018138	RING BS		02
05	0503018140	RING GUIDE		01
06	0502011899	MOBILE COVER		01
07	0581010301	RING SUPPORT		01
08	0503011059	8-334 BACK-UP RING		02
09	0503010343	2-334 N 3006-9B O'RING		02
10	0503010761	D-1750 SCRAPER RING		01
11	0503017937	GASKET		01
12	0503017938	RING GUIDE		01
13	0521067543	44,45 X 774 AIR TURNBUCKLE		01
13A	0521010514	38,1 X 52,9 X 50 SLEEVE INTER		01
14	0503010002	1800 GREASE FITTING		02
15	0503030385	CYLINDER PLUG N-002		02
16	0503010042	2-214 N 3006-9B O'RING		01



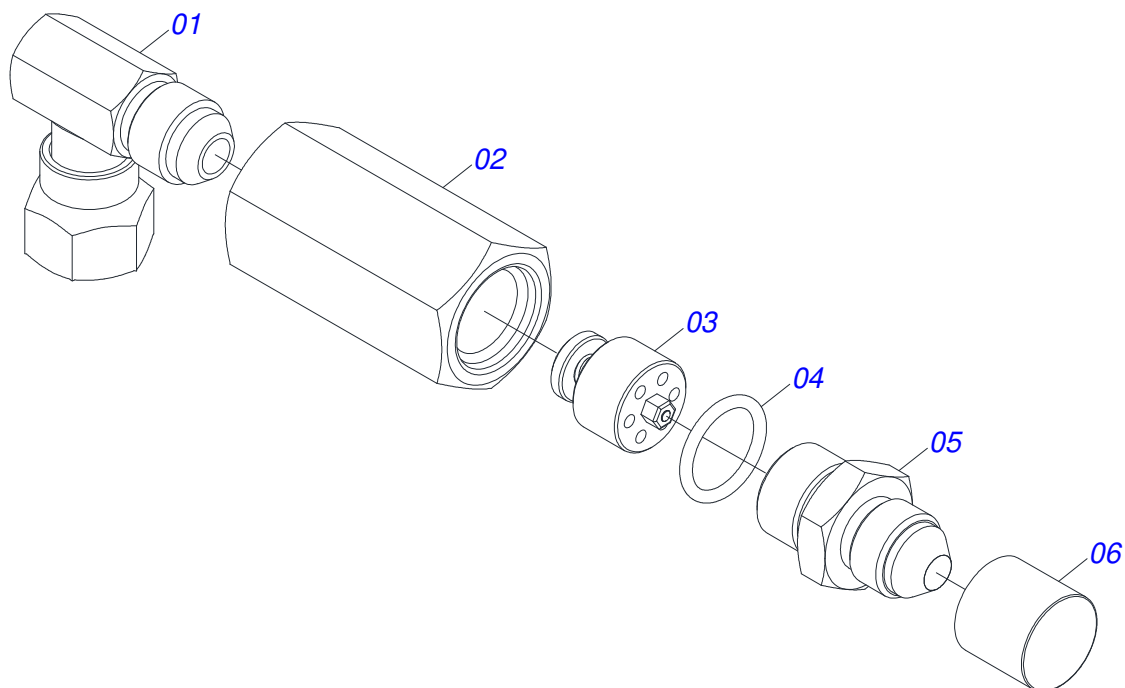
Item	Code	Description	See page	QT
01	0521065842	CYLINDER CASE WITH EXTENSION		01
01A	0571018084	37,80/37,90 X 48,17/48,12 X 50 SLEEVE INTER		02
02	0503010063	1" SELF-ALIGNING NUT		01
03	0503030385	CYLINDER PLUG N-002		02
04	0502011898	1.8" X 3.0" PISTON		01
05	0503012768	3750-2250 GASKET		02
06	0503010992	W2-3000-500 PK RING G.E		01
07	0503010042	2-214 N 3006-9B O'RING		01
08	0502011897	RING SUPPORT		01
09	0503010761	D-1750 SCRAPER RING		01
10	0503010990	GASKET		01
11	0503010949	W2-2000-500 PK RING G.E		01
12	0503011059	8-334 BACK-UP RING		01
13	0521065845	Ø 44,45 X 839 WELDED ARTICULATOR		01
14	0503010343	2-334 N 3006-9B O'RING		01
15	0502011899	MOBILE COVER		01



Item	Code	Description	See page	QT
01	0521065843	RIGHT CYLINDER CASE WITH EXTENSION		01
01A	0571018084	37,80/37,90 X 48,17/48,12 X 50 SLEEVE INTER		01
02	0503010063	1" SELF-ALIGNING NUT		01
03	0503030385	CYLINDER PLUG N-002		02
04	0502011898	1.8" X 3.0" PISTON		01
05	0503012768	3750-2250 GASKET		02
06	0503010992	W2-3000-500 PK RING G.E		01
07	0503010042	2-214 N 3006-9B O'RING		01
08	0502011897	RING SUPPORT		01
09	0503010761	D-1750 SCRAPER RING		01
10	0503010990	GASKET		01
11	0503010949	W2-2000-500 PK RING G.E		01
12	0503011059	8-334 BACK-UP RING		01
13	0521065845	Ø 44,45 X 839 WELDED ARTICULATOR		01
13A	0571018084	37,80/37,90 X 48,17/48,12 X 50 SLEEVE INTER		01
14	0503010343	2-334 N 3006-9B O'RING		01
15	0502011899	MOBILE COVER		01



Item	Code	Description	See page	QT
01	0501080384	TR-TM HOSE ASSY		04
02	0909092479	HYDR CIRCUIT MOBILE HOLDER PCA 600		01



Item	Code	Description	See page	QT
01	0503018034	MALE KNEE JIC		01
02	0581014055	ADAPTER		01
03	0503016854	VALVE ASSY		01
04	0503010045	O'RING		01
05	0581014054	BSP 1/2" NIPPLE		01
06	0503030385	CYLINDER PLUG N-002		01







**MARCHESAN**

**Technical Publications | Elaboration and Revision**  
JOÃO VIRGINIO ROCHA

[www.marchesan.com.br](http://www.marchesan.com.br)

