

PCA - AGRICULTURAL FRONT LOADER

PCA 600 2C VALTRA A750/850/950 SHT CD JS SL

Code: 0501091909

Series: S-0716

Revision: 00

Date Revision: ABRIL/2021

PARTS CATALOGUE



MARCHESAN



PRODUCTS

| Code | Description |
|------------|---|
| 0106111701 | PCA 600 2C VTR A750/850/950 SHT CD JS S/AC S-0716 |

ATTENTION: IMPORTANT

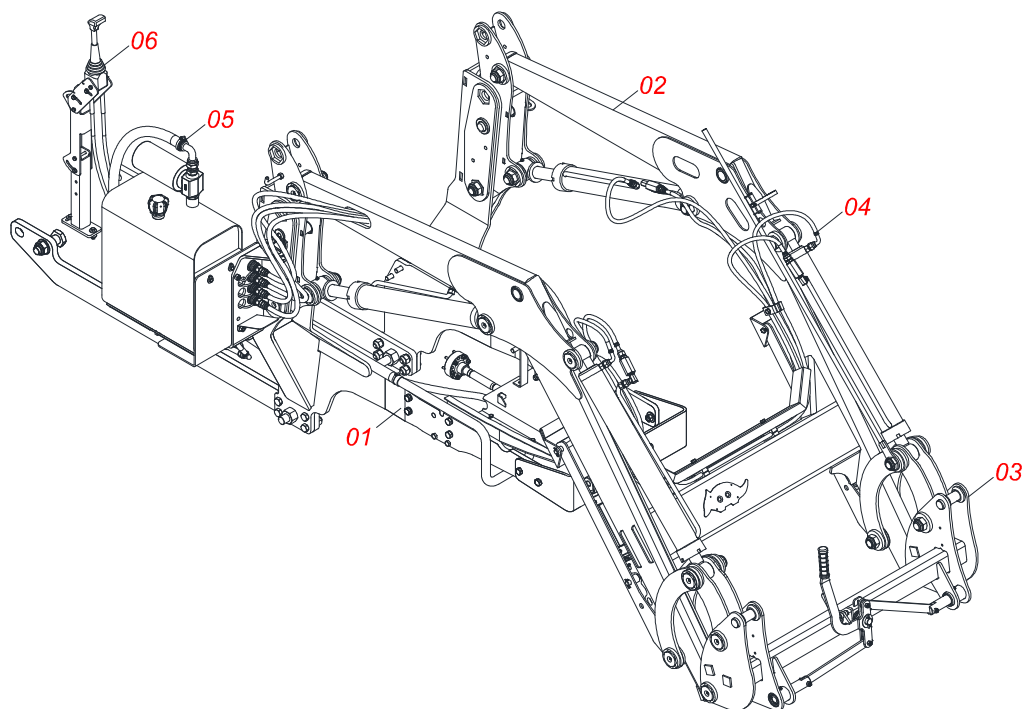
Marchesan S.A. reserves the right to improve and / or modify the technical features of its products, without obligation to do the same with those products already sold and without prior knowledge of the dealer or the consumer.



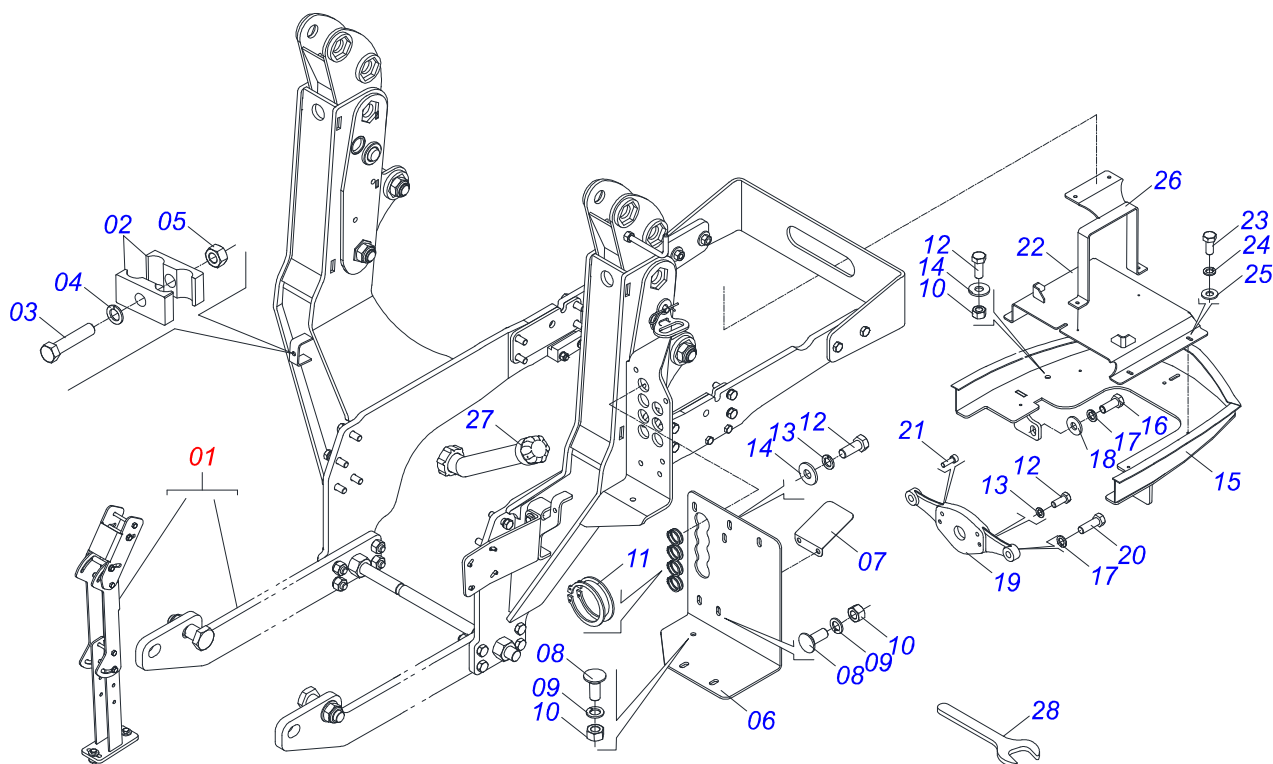
MARCHESAN

INDEX

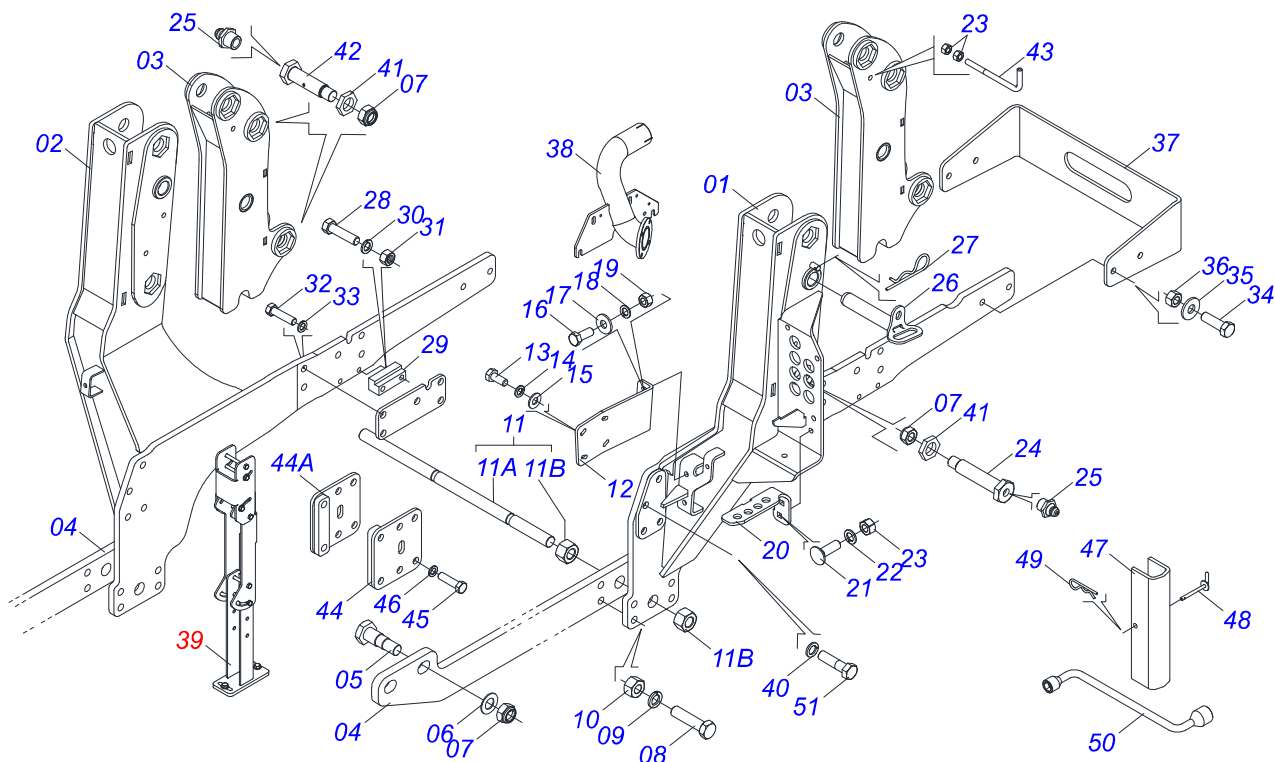
| | | | |
|------------|--|-------|----|
| 0106111701 | PCA 600 2C VTR A750/850/950 SHT CD JS S/AC | | 1 |
| 0909092477 | CHASSI ASSEMBLY PCA 600 VTR SHT CD JS SL | | 2 |
| 0909092473 | CHASSIS ASSEMBLY PCA 600 BT CD JS SL VTR | | 3 |
| 0521045393 | SET SUPPORT JOY STICK | | 4 |
| 0521046965 | FULL MOBILE STAND | | 5 |
| 0909092475 | RESTING WITH NUT MOUNT HOLDER | | 6 |
| 0909092474 | ARTICULATOR ASSEMBLY | | 7 |
| 0909092479 | HYDR CIRCUIT MOBILE HOLDER PCA 600 | | 8 |
| 0521050255 | LEFT HYDRAULIC CYLINDER 44,45 X 76,20 X 845 X 555 | | 9 |
| 0521050256 | RIGHT HYDRAULIC CYLINDER 44,45 X 76,20 X 845 X 555 | | 10 |
| 0521045379 | LEFT HYDRAULIC CYLINDER Ø44,45 X Ø 76,10 X 918 | | 11 |
| 0521045380 | RIGHT HYDRAULIC CYLINDER Ø44,45 X Ø76,10 X 918 | | 12 |
| 0511057772 | SECURITY VALVE ASSY | | 13 |
| 0909092478 | SHT HYDRAULIC CIRCUIT PCA 600 VTR CD JS SL | | 14 |
| 0521046987 | FULL OIL RESERVOIR | | 15 |
| 0521050247 | R.7/8 LARGER RETURN FILTER PCA/PD VTR | | 16 |
| 0521045277 | 40L PUMP WITH PIPES | | 19 |
| 0521046875 | 1/2 COMPLETE JOYSTICK CONTROL VTRA 75/85/950 SHT | | 20 |
| 0501053834 | MALE QUICK COUPLER WITH CAP - 1/2 NPT | | 21 |



| Item | Code | Description | See page | QT |
|------|------------|--|----------|----|
| 01 | 0909092477 | CHASSI ASSEMBLY PCA 600 VTR SHT CD JS SL | 2 | |
| 02 | 0521046965 | FULL MOBILE STAND | 5 | |
| 03 | 0909092474 | ARTICULATOR ASSEMBLY | 7 | |
| 04 | 0909092479 | HYDR CIRCUIT MOBILE HOLDER PCA 600 | 8 | |
| 05 | 0909092478 | SHT HYDRAULIC CIRCUIT PCA 600 VTR CD JS SL | 14 | |
| 06 | 0521046875 | 1/2 COMPLETE JOYSTICK CONTROL VTRA 20 75/85/950 SHT | | |



| Item | Code | Description | See page | QT |
|------|------------|---|----------|----|
| 01 | 0909092473 | CHASSIS ASSEMBLY PCA 600 BT CD JS SL VTR | 3 | 01 |
| 02 | 1902010477 | UPPER CLAMP BODY | | 02 |
| 03 | 0503011173 | 7/16" X 2" BOLT | | 01 |
| 04 | 0503010180 | 7/16" SPRING WASHER | | 01 |
| 05 | 0503010244 | 7/16" NUT | | 01 |
| 06 | 0581013225 | TANK HOLDER 340 VTR A750 S-1015 | | 01 |
| 07 | 0581013395 | HOSE PROTECTION PCA/PD VTR A750/85/950 | | 01 |
| 08 | 0503014734 | BOLT | | 05 |
| 09 | 0503010019 | 1/2" SPRING WASHER | | 05 |
| 10 | 0503810060 | NUT 1/2 NC S SA | | 06 |
| 11 | 0503010217 | 501040 CLAMPING RING (FOR AXLE) | | 08 |
| 12 | 0501010161 | 1/2" X 1.1/4" BOLT | | 07 |
| 13 | 0503010019 | 1/2" SPRING WASHER | | 06 |
| 14 | 0511017302 | FLAT WASHER | | 05 |
| 15 | 0521065610 | FRONT COVER PD/PCA VTR A750/A950 G2 | | 01 |
| 16 | 0503010148 | M16 X 2 X 40 BOLT | | 02 |
| 17 | 0503010027 | 5/8" SPRING WASHER | | 02 |
| 18 | 0501012140 | FLAT WASHER | | 02 |
| 19 | 0502010097 | PUMP SUPPORT | | 01 |
| 20 | 0503011188 | M16 X 2 X 50 BOLT | | 02 |
| 21 | 0503010728 | M10 X 1.2" BOLT | | 02 |
| 22 | 0521065612 | BATTERY HOLDER PCA VTR A750/A950 | | 01 |
| 23 | 0503016506 | 5/16 UNC X 3/4 C S G.5 ZN BOLT | | 04 |
| 24 | 0503010179 | 5/16" ZN SPRING WASHER | | 04 |
| 25 | 0501010694 | 8.5 X 18 X 1.5 FLAT WASHER | | 04 |
| 26 | 0571017962 | FILTER HOLDER PD/PCA V A750/85/95 G2 | | 01 |
| 27 | 0521050292 | TANK MOUTH EXTENSION WITH LID PCA/PD A950 | | 01 |
| 28 | 0511010153 | 2-5/16" FIXED WRENCH | | 01 |



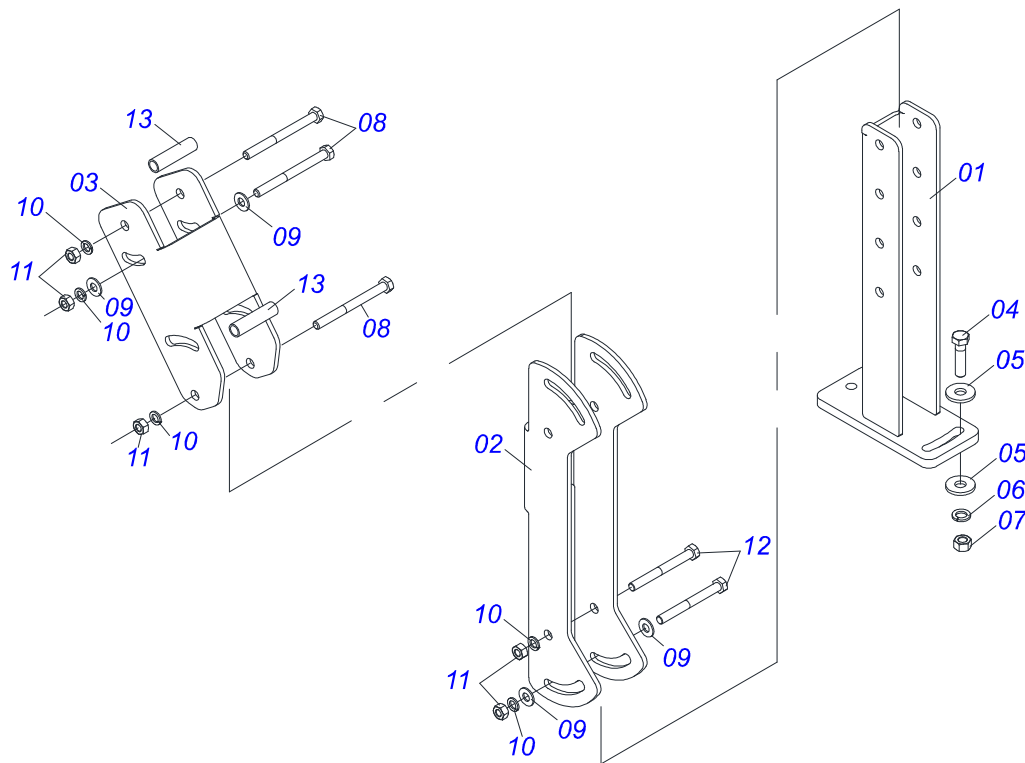
| Item | Code | Description | See page | QT |
|------|------------|---|----------|----|
| 01 | 0521067466 | RIGHT FRAME VTR A750 S1015 | | 01 |
| 02 | 0521067465 | LEFT FRAME VTR A750 S1015 | | 01 |
| 03 | 0521067487 | MOBILE TOWER | | 02 |
| 04 | 0571019093 | REAR COUPLING BAR PCA-T PLUS 1500 VTR | | 02 |
| 05 | 0571019101 | 1.1/4 UNF X 110 BOLT PCA-T PLUS 1500 VTR A950 | | 02 |
| 06 | 0521011132 | FLAT WASHER | | 02 |
| 07 | 0503010044 | 1-1/4" SELF LOCKING NUT | | 08 |
| 08 | 0501010500 | 3/4"X3"BOLT | | 08 |
| 09 | 0503010023 | 3/4" SPRING WASHER | | 08 |
| 10 | 0503010014 | 3/4" NUT | | 08 |
| 11 | 0501044434 | 1" NC X 700 ROD W/NUTS | | 01 |
| 11A | 0501014753 | 1" NC X 700 ROD | | 01 |
| 11B | 0501010087 | 1.1/4" NUT | | 04 |
| 12 | 0521067467 | COMMAND SUPPORT VTR A750 S1015 | | 01 |
| 13 | 0503016506 | 5/16 UNC X 3/4 C S G.5 ZN BOLT | | 04 |
| 14 | 0503010179 | 5/16" ZN SPRING WASHER | | 04 |
| 15 | 0501010694 | 8.5 X 18 X 1.5 FLAT WASHER | | 04 |
| 16 | 0503010395 | 1/2" X 1-1/4" BOLT | | 02 |
| 17 | 0511017302 | FLAT WASHER | | 02 |
| 18 | 0503010019 | 1/2" SPRING WASHER | | 02 |
| 19 | 0503010060 | 1/2" NUT | | 02 |
| 20 | 0521067472 | MULTI CONNECTOR COUPLING BRACKET PCA/PD VTR A750 | | 01 |
| 21 | 0503014378 | 1/2" X 1-1/2" BOLT | | 02 |
| 22 | 0503010019 | 1/2" SPRING WASHER | | 02 |
| 23 | 0503810060 | NUT 1/2 NC S SA | | 02 |
| 24 | 0581013410 | 1.1/4" UNF X 155 BOLT | | 02 |
| 25 | 0503010002 | 1800 GREASE FITTING | | 06 |
| 26 | 0521067468 | MOBILE HOLDER COUPLING HUB | | 02 |
| 27 | 0503030012 | HAIR PIN | | 02 |
| 28 | 0503011730 | M16 X 2 X 60 BOLT | | 04 |
| 29 | 0581013402 | BEATER VTR A750/850/950 | | 02 |



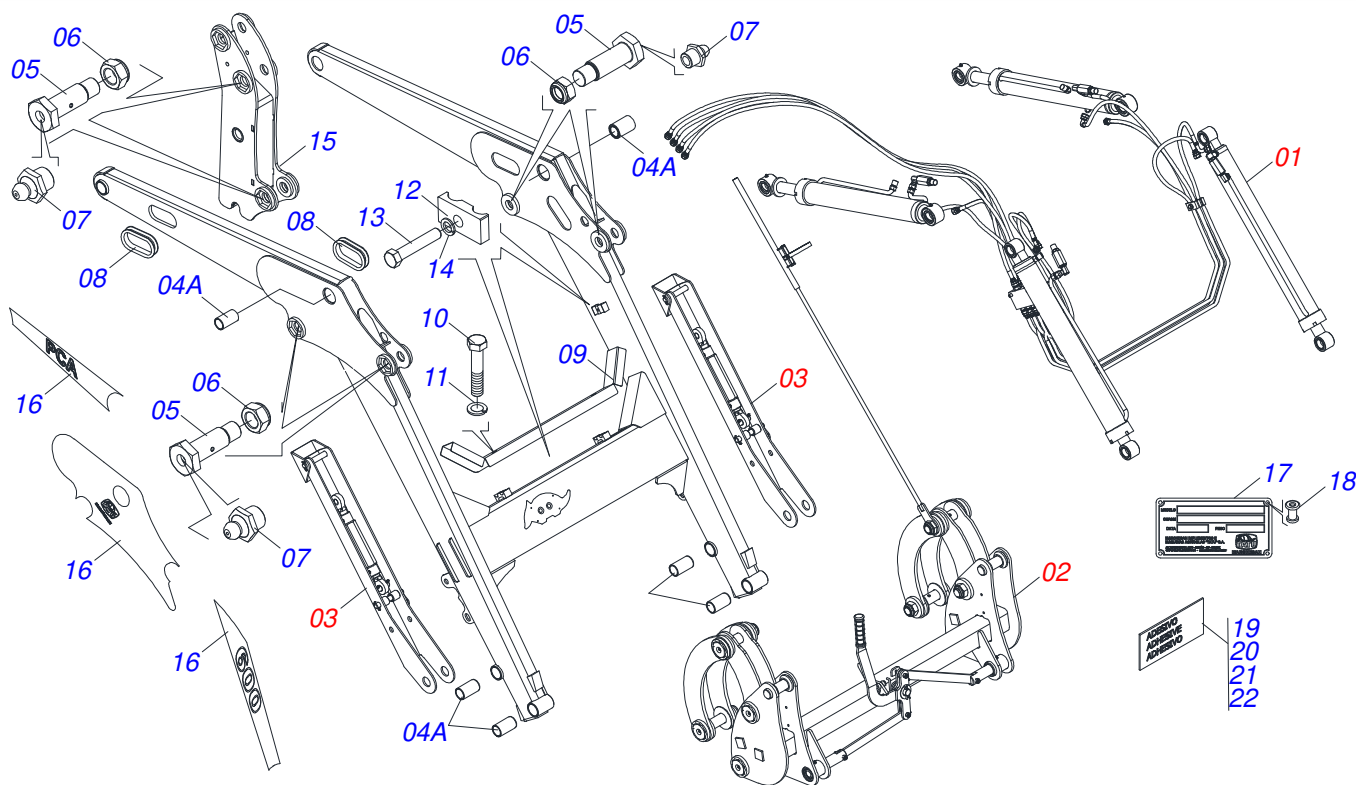
PCA 600 2C VALTRA A750/850/950 SHT CD JS SL
CHASSIS ASSEMBLY PCA 600 BT CD JS SL VTR

Page 3
0909092473

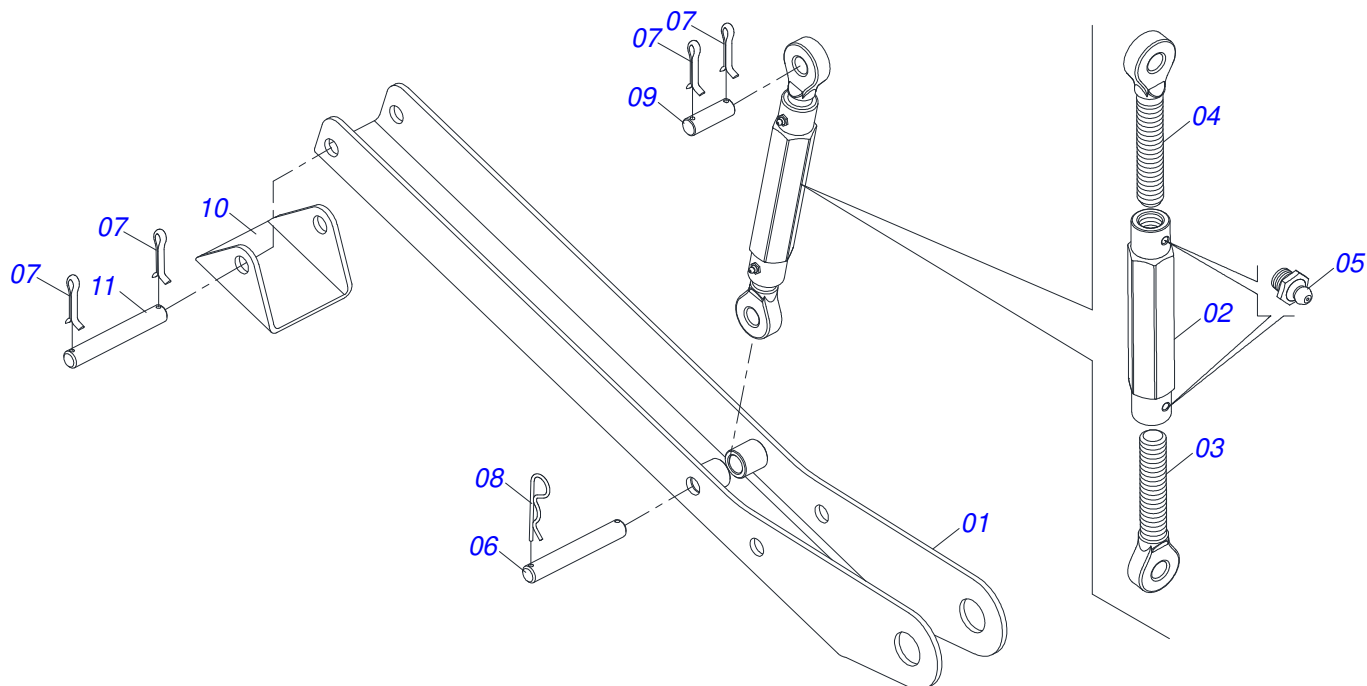
| Item | Code | Description | See page | QT |
|------|------------|---|----------|----|
| 30 | 0503010019 | 1/2" SPRING WASHER | | 04 |
| 31 | 0503010060 | 1/2" NUT | | 04 |
| 32 | 0503011730 | M16 X 2 X 60 BOLT | | 08 |
| 33 | 0503010027 | 5/8" SPRING WASHER | | 08 |
| 34 | 0501010100 | SCREW 5/8 UNC X 2 CS G.5 ZN | | 04 |
| 35 | 0503010027 | 5/8" SPRING WASHER | | 04 |
| 36 | 0503010013 | 5/8" NUT | | 04 |
| 37 | 0571017231 | FRONT PROTECTOR PCA VTR A750/850/950 | | 01 |
| 38 | 0521067469 | EXHAUST ADAPTER | | 01 |
| 39 | 0521045393 | SET SUPPORT JOY STICK | 4 | 01 |
| 40 | 0503010019 | 1/2" SPRING WASHER | | 04 |
| 41 | 0581010243 | WASHER HEX | | 06 |
| 42 | 0571018264 | 1.1/4" UNF X 149 ZN BOLT | | 04 |
| 43 | 0581010285 | CONTROL LOCKING HOOK | | 01 |
| 44 | 0521067351 | RIGHT FRAME LOCK PCA-T PLUS 1500 VTR A750 A A950 | | 01 |
| 44A | 0521067359 | LEFT FRAME LOCK PCA-T PLUS 1500 VTR A950 | | 01 |
| 45 | 0503011730 | M16 X 2 X 60 BOLT | | 06 |
| 46 | 0503010019 | 1/2" SPRING WASHER | | 06 |
| 47 | 0531017238 | LOCK TRANSPORT | | 02 |
| 48 | 0501868994 | LOCK AXLE | | 02 |
| 49 | 0503030168 | HAIR PIN | | 02 |
| 50 | 0501068213 | 5/8" WRENCH DOUBLE | | 01 |
| 51 | 0503011730 | M16 X 2 X 60 BOLT | | 04 |
| 52 | 0571017227 | CHASSIS SHIM - PCA VTR A750/850/950 | | 02 |



| Item | Code | Description | See page | QT |
|------|------------|--|----------|----|
| 01 | 0521065789 | LOWER JOYSTICK SUPPORT PCA | | 01 |
| 02 | 0571018376 | CENTRAL BODY SUPPLEMENT OF JOYSTICK PCA | | 01 |
| 03 | 0571018375 | SUPERIOR BODY SUPPLEMENT OF JOYSTICK PCA | | 01 |
| 04 | 0503010849 | 3/8" X 1-1/2" BOLT | | 02 |
| 05 | 0501010984 | FLAT WASHER | | 02 |
| 06 | 0503010025 | 3/8" SPRING WASHER | | 02 |
| 07 | 0503010026 | 3/8" NUT | | 02 |
| 08 | 0503010848 | 5/16" X 3.1/2" BOLT | | 04 |
| 09 | 0501010694 | 8.5 X 18 X 1.5 FLAT WASHER | | 06 |
| 10 | 0503010179 | 5/16" ZN SPRING WASHER | | 06 |
| 11 | 0503010337 | 5/16" NUT | | 06 |
| 12 | 0503011053 | 5/16" X 3" C S 6.5 ZN BOLT | | 02 |
| 13 | 0541015551 | 0.39" X 0.512" X 1.9" SLEEVE | | 02 |

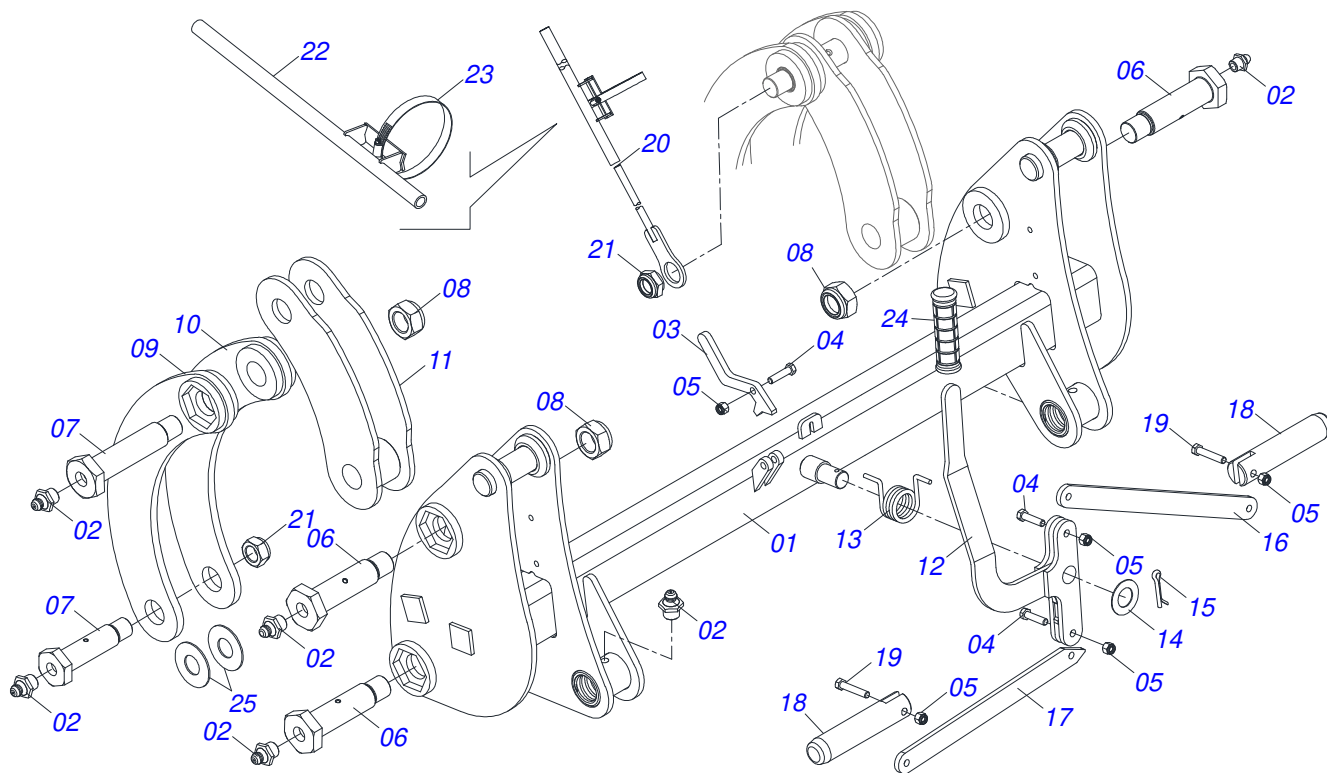


| Item | Code | Description | See page | QT |
|------|------------|--------------------------------------|----------|----|
| 01 | 0909092479 | HYDR CIRCUIT MOBILE HOLDER PCA 600 | 8 | 01 |
| 02 | 0909092474 | ARTICULATOR ASSEMBLY | 7 | 01 |
| 03 | 0909092475 | RESTING WITH NUT MOUNT HOLDER | 6 | 01 |
| 04 | 0521067475 | MOBILE SUPPORT | | 01 |
| 04A | 0501110800 | Ø37,70 X Ø55 X 80 BUSHING PCA-T 1500 | | 08 |
| 05 | 0581013575 | 1.1/4 UNF X 85 BOLT | | 04 |
| 06 | 0503010044 | 1-1/4" SELF LOCKING NUT | | 04 |
| 07 | 0503010002 | 1800 GREASE FITTING | | 04 |
| 08 | 0503034364 | HOSE PROTECTOR | | 02 |
| 09 | 0521065758 | PIPELINE PROTECTION | | 01 |
| 10 | 0503012555 | SCREW 7/16 UNC X 2 CS RT G.7 ZN | | 02 |
| 11 | 0503010180 | 7/16" SPRING WASHER | | 02 |
| 12 | 1902010477 | UPPER CLAMP BODY | | 03 |
| 13 | 0503012555 | SCREW 7/16 UNC X 2 CS RT G.7 ZN | | 01 |
| 14 | 0503010180 | 7/16" SPRING WASHER | | 01 |
| 15 | 0521067487 | MOBILE TOWER | | 02 |
| 16 | 0503062658 | SET LABEL ADHESIVE PCA 600 2C | | 01 |
| 17 | 0503034003 | SERIAL NUMBER TAG 61 X 118 | | 01 |
| 18 | 0503010001 | 3.2 X 5.5 RIVET | | 04 |
| 19 | 0503034078 | LIFTING POINTS DECAL | | 03 |
| 20 | 0503031087 | ADHESIVE LABEL | | 01 |
| 21 | 0503031428 | READ MANUAL DECAL | | 01 |
| 22 | 0503031827 | LUBRICATE AND RETIGHTEN DAILY DECAL | | 01 |

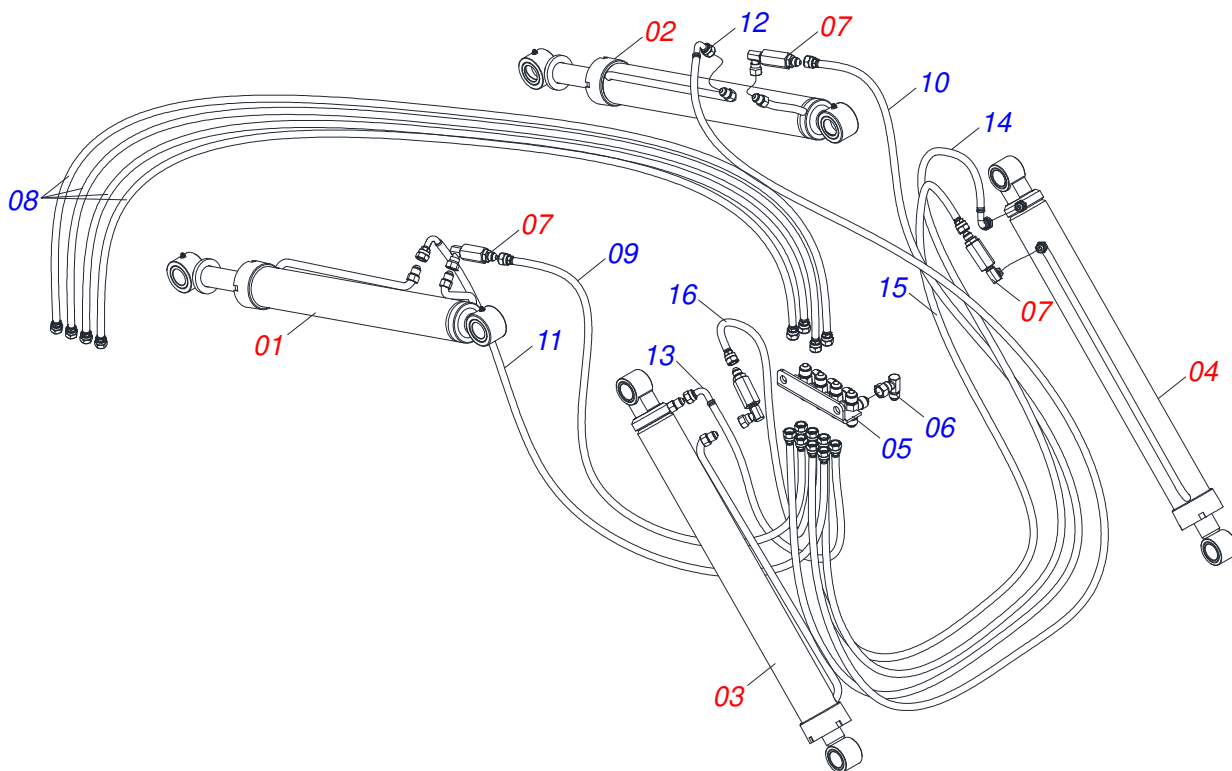


| Item | Code | Description | See page | QT |
|------|------------|--------------------------------------|----------|----|
| 01 | 0521065756 | PLOUGH SUPPORT BODY | | 02 |
| 02 | 0502012530 | REGULATOR NUT BODY R1 | | 02 |
| 03 | 0502012562 | LEFT SPINDLE R1 X 160 | | 02 |
| 04 | 0502012529 | RIGHT SPINDLE R1 X 160 | | 02 |
| 05 | 0503010002 | 1800 GREASE FITTING | | 04 |
| 06 | 0511013598 | 3/4" X 4.7" COUPLING SHAFT | | 02 |
| 07 | 0503010071 | 3/16" X 1" COTTERPIN | | 06 |
| 08 | 0503030012 | HAIR PIN | | 02 |
| 09 | 0561015578 | 3/4 X 56 PCA VTR A750 COUPLING SHAFT | | 02 |
| 10 | 0571018252 | REST BASE | | 02 |
| 11 | 0521012777 | COUPLING SHAFT | | 02 |

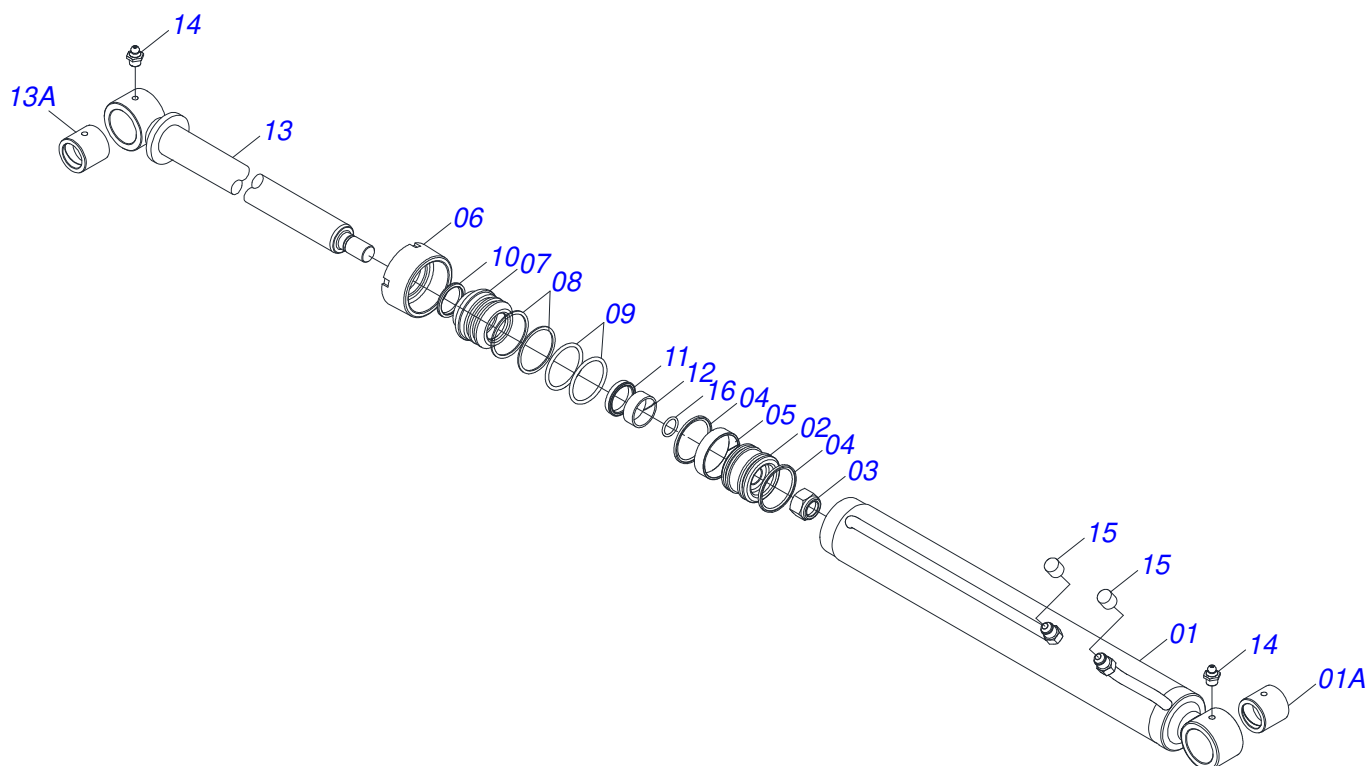
ARTICULATOR ASSEMBLY



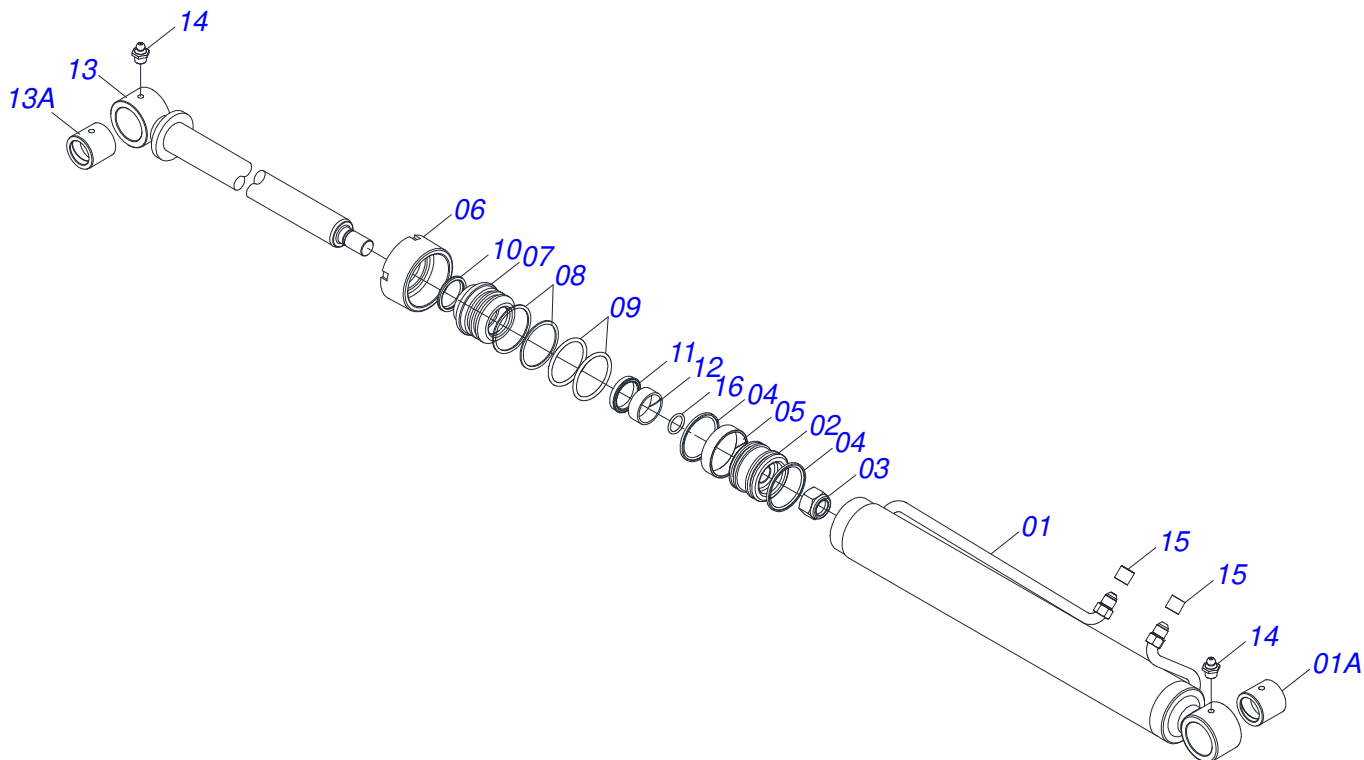
| Item | Code | Description | See page | QT |
|------|------------|-----------------------------------|----------|----|
| 01 | 0521065697 | ARTICULATOR | 01 | |
| 02 | 0503010002 | 1800 GREASE FITTING | 10 | |
| 03 | 0571018934 | PENDULUM LOCKS | 01 | |
| 04 | 0503010849 | 3/8" X 1-1/2" BOLT | 03 | |
| 05 | 0503013357 | 3/8" SELF-ADJUSTING NUT | 05 | |
| 06 | 0571018264 | 1.1/4" UNF X 149 ZN BOLT | 04 | |
| 07 | 0571018245 | 1.1/4" UNF X 139 BOLT | 04 | |
| 08 | 0503010044 | 1-1/4" SELF LOCKING NUT | 07 | |
| 09 | 0521067473 | EXTERNAL ARM OF THE ARTICULATOR | 02 | |
| 10 | 0521067474 | INTERNAL ARM OF THE ARTICULATOR | 02 | |
| 11 | 0521067478 | LOWER ARTICULATOR | 02 | |
| 12 | 0521065888 | LEVER | 01 | |
| 13 | 0503034192 | TORSION SPRING | 01 | |
| 14 | 0561811883 | 28,5 X 51,5 X 1,50 SA FLAT WASHER | 01 | |
| 15 | 0503010523 | 1/4" X 2" COTTERPIN | 01 | |
| 16 | 0571018935 | SPRING SUPPORT ARM | 01 | |
| 17 | 0571018125 | RIGHT ARM OF THE UNLOCK | 01 | |
| 18 | 0571018129 | PIN LOCK ACCESSORY | 02 | |
| 19 | 0503011236 | 3/8" X 2" BOLT | 02 | |
| 20 | 0521068692 | LEVEL ROD | 01 | |
| 21 | 0571018205 | 1.1/4"XUNF NUT WITH RECESS | 01 | |
| 22 | 0521067968 | ROD GUIDE | 01 | |
| 23 | 0503011372 | 102 TO 121 CLAMP | 01 | |
| 24 | 0503037382 | Ø25 X 120 PVC HANDLE | 01 | |
| 25 | 0551014871 | FLAT WASHER | 04 | |



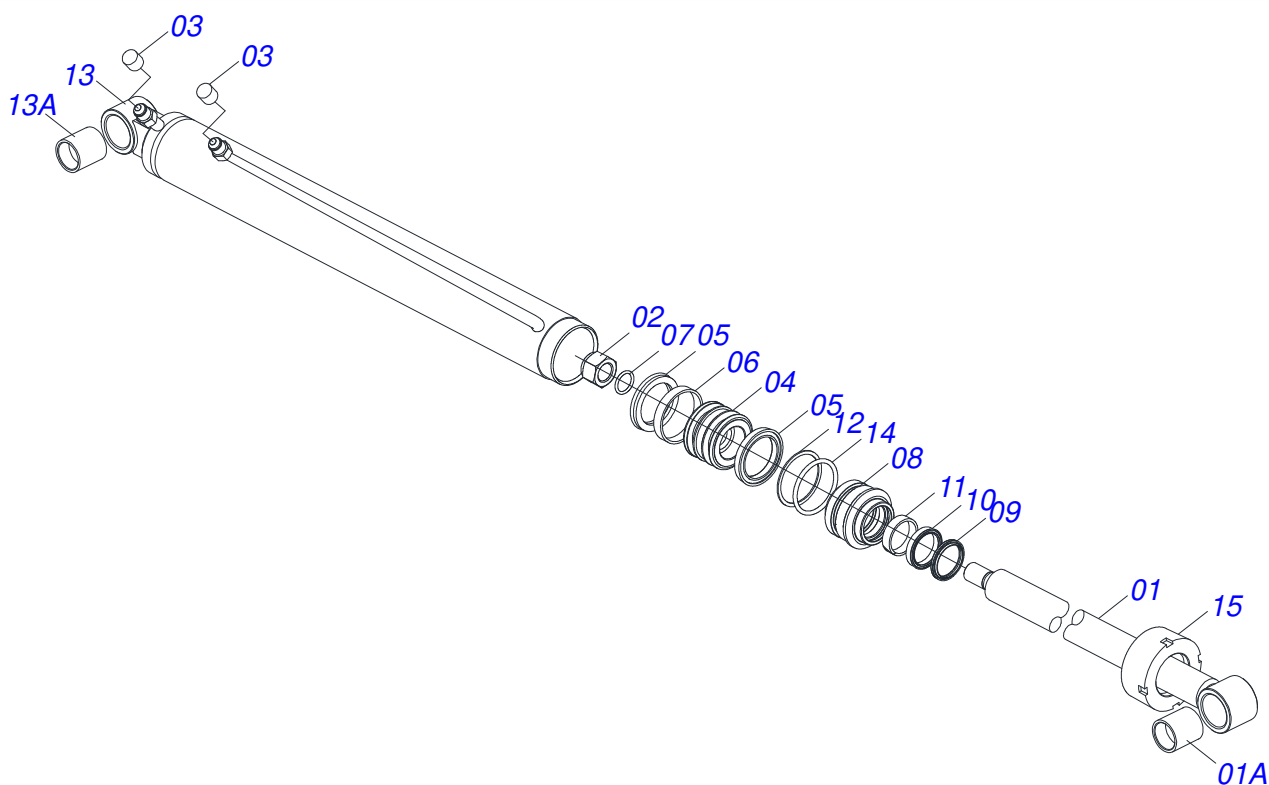
| Item | Code | Description | See page | QT |
|------|------------|--|----------|----|
| 01 | 0521050256 | RIGHT HYDRAULIC CYLINDER 44,45 X 76,20 X 845 X 555 | 10 | 01 |
| 02 | 0521050255 | LEFT HYDRAULIC CYLINDER 44,45 X 76,20 X 845 X 9555 | | 01 |
| 03 | 0521045380 | RIGHT HYDRAULIC CYLINDER Ø44,45 X Ø76,10 X 12918 | | 01 |
| 04 | 0521045379 | LEFT HYDRAULIC CYLINDER Ø44,45 X Ø76,10 X 11918 | | 01 |
| 05 | 0521069023 | HOSE DIVIDER PCA 600 2C | | 01 |
| 06 | 0503018034 | MALE KNEE JIC | | 04 |
| 07 | 0511057772 | SECURITY VALVE ASSY | 13 | 04 |
| 08 | 0501080452 | 3/8" X 98" TR-TR HOSE | | 04 |
| 09 | 0501080127 | HOSE | | 01 |
| 10 | 0501080483 | 3/8" X 86,6" TR-TR HOSE | | 01 |
| 11 | 0501080348 | TR-TC HOSE ASSY | | 01 |
| 12 | 0501080451 | 3/8" X 94,5" TR-TC HOSE ASSY | | 01 |
| 13 | 0501080375 | 3/8 X 23.6" TR-TC HOSE ASSY | | 01 |
| 14 | 0501080419 | 3/8 X 82.6" TR-TC HOSE ASSY | | 01 |
| 15 | 0501080320 | 3/8" X 82,6" TR-TR HOSE | | 01 |
| 16 | 0501080027 | 3/8" X 39,3" TR-TR HOSE ASSY | | 01 |



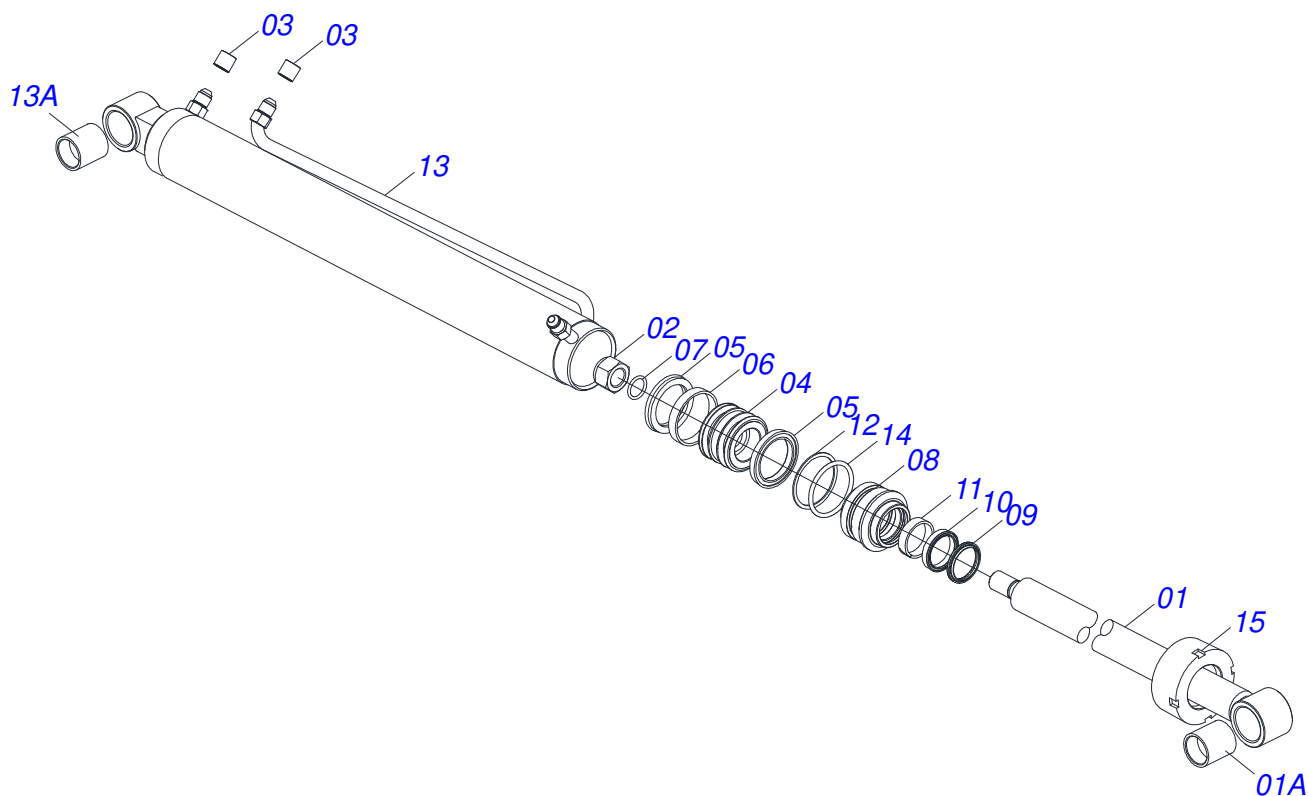
| Item | Code | Description | See page | QT |
|------|------------|-----------------------------------|----------|----|
| 01 | 0521067486 | 76,20 X 740,50 LEFT CYLINDER CASE | | 01 |
| 01A | 0521010514 | 38,1 X 52,9 X 50 SLEEVE INTER | | 01 |
| 02 | 0581010304 | PISTON | | 01 |
| 03 | 0503010063 | 1" SELF-ALIGNING NUT | | 01 |
| 04 | 0503018138 | RING BS | | 02 |
| 05 | 0503018140 | RING GUIDE | | 01 |
| 06 | 0502011899 | MOBILE COVER | | 01 |
| 07 | 0581010301 | RING SUPPORT | | 01 |
| 08 | 0503011059 | 8-334 BACK-UP RING | | 02 |
| 09 | 0503010343 | 2-334 N 3006-9B O'RING | | 02 |
| 10 | 0503010761 | D-1750 SCRAPER RING | | 01 |
| 11 | 0503017937 | GASKET | | 01 |
| 12 | 0503017938 | RING GUIDE | | 01 |
| 13 | 0521067543 | 44,45 X 774 AIR TURNBUCKLE | | 01 |
| 13A | 0521010514 | 38,1 X 52,9 X 50 SLEEVE INTER | | 01 |
| 14 | 0503010002 | 1800 GREASE FITTING | | 02 |
| 15 | 0503030385 | CYLINDER PLUG N-002 | | 02 |
| 16 | 0503010042 | 2-214 N 3006-9B O'RING | | 01 |



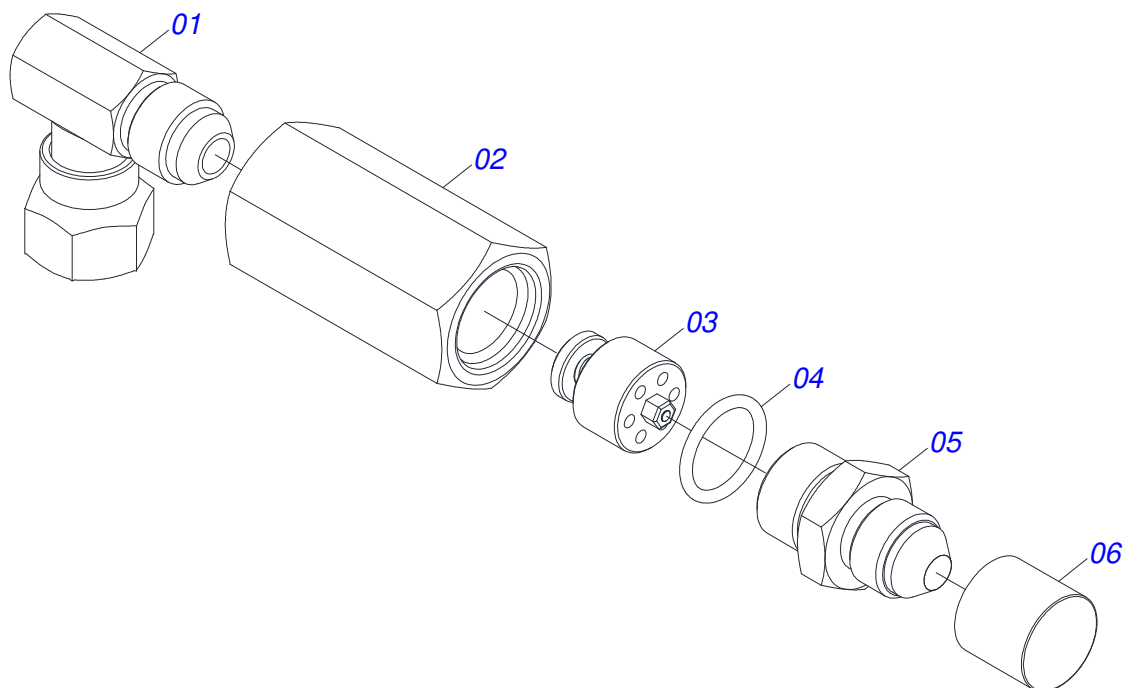
| Item | Code | Description | See page | QT |
|------|------------|------------------------------------|----------|----|
| 01 | 0521067485 | 76,20 X 740,50 RIGHT CYLINDER CASE | | 01 |
| 01A | 0521010514 | 38,1 X 52,9 X 50 SLEEVE INTER | | 01 |
| 02 | 0581010304 | PISTON | | 01 |
| 03 | 0503010063 | 1" SELF-ALIGNING NUT | | 01 |
| 04 | 0503018138 | RING BS | | 02 |
| 05 | 0503018140 | RING GUIDE | | 01 |
| 06 | 0502011899 | MOBILE COVER | | 01 |
| 07 | 0581010301 | RING SUPPORT | | 01 |
| 08 | 0503011059 | 8-334 BACK-UP RING | | 02 |
| 09 | 0503010343 | 2-334 N 3006-9B O'RING | | 02 |
| 10 | 0503010761 | D-1750 SCRAPER RING | | 01 |
| 11 | 0503017937 | GASKET | | 01 |
| 12 | 0503017938 | RING GUIDE | | 01 |
| 13 | 0521067543 | 44,45 X 774 AIR TURNBUCKLE | | 01 |
| 13A | 0521010514 | 38,1 X 52,9 X 50 SLEEVE INTER | | 01 |
| 14 | 0503010002 | 1800 GREASE FITTING | | 02 |
| 15 | 0503030385 | CYLINDER PLUG N-002 | | 02 |
| 16 | 0503010042 | 2-214 N 3006-9B O'RING | | 01 |



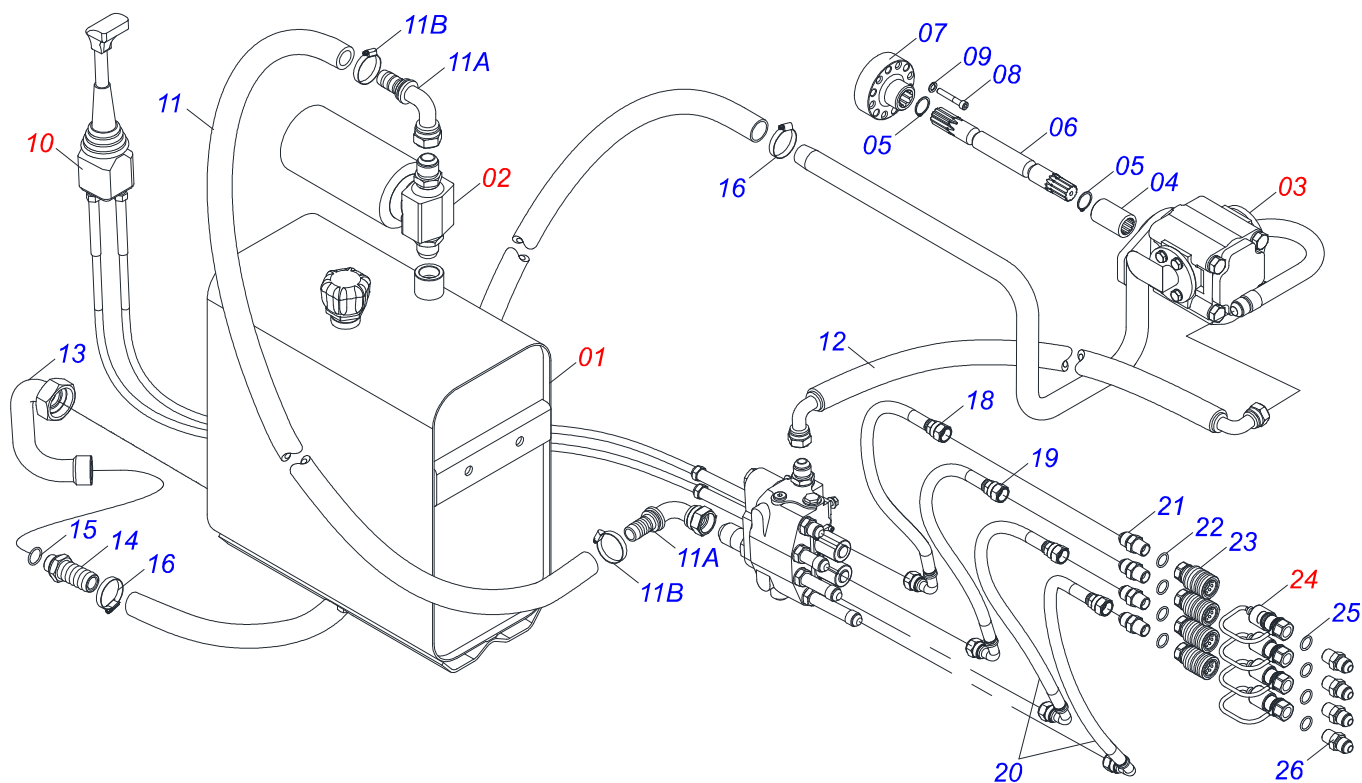
| Item | Code | Description | See page | QT |
|------|------------|---|----------|----|
| 01 | 0521065842 | CYLINDER CASE WITH EXTENSION | 01 | |
| 01A | 0571018084 | 37,80/37,90 X 48,17/48,12 X 50 SLEEVE INTER | 02 | |
| 02 | 0503010063 | 1" SELF-ALIGNING NUT | 01 | |
| 03 | 0503030385 | CYLINDER PLUG N-002 | 02 | |
| 04 | 0502011898 | 1.8" X 3.0" PISTON | 01 | |
| 05 | 0503012768 | 3750-2250 GASKET | 02 | |
| 06 | 0503010992 | W2-3000-500 PK RING G.E | 01 | |
| 07 | 0503010042 | 2-214 N 3006-9B O'RING | 01 | |
| 08 | 0502011897 | RING SUPPORT | 01 | |
| 09 | 0503010761 | D-1750 SCRAPER RING | 01 | |
| 10 | 0503010990 | GASKET | 01 | |
| 11 | 0503010949 | W2-2000-500 PK RING G.E | 01 | |
| 12 | 0503011059 | 8-334 BACK-UP RING | 01 | |
| 13 | 0521065845 | Ø 44,45 X 839 WELDED ARTICULATOR | 01 | |
| 14 | 0503010343 | 2-334 N 3006-9B O'RING | 01 | |
| 15 | 0502011899 | MOBILE COVER | 01 | |



| Item | Code | Description | See page | QT |
|------|------------|---|----------|----|
| 01 | 0521065843 | RIGHT CYLINDER CASE WITH EXTENSION | | 01 |
| 01A | 0571018084 | 37,80/37,90 X 48,17/48,12 X 50 SLEEVE INTER | | 01 |
| 02 | 0503010063 | 1" SELF-ALIGNING NUT | | 01 |
| 03 | 0503030385 | CYLINDER PLUG N-002 | | 02 |
| 04 | 0502011898 | 1.8" X 3.0" PISTON | | 01 |
| 05 | 0503012768 | 3750-2250 GASKET | | 02 |
| 06 | 0503010992 | W2-3000-500 PK RING G.E | | 01 |
| 07 | 0503010042 | 2-214 N 3006-9B O'RING | | 01 |
| 08 | 0502011897 | RING SUPPORT | | 01 |
| 09 | 0503010761 | D-1750 SCRAPER RING | | 01 |
| 10 | 0503010990 | GASKET | | 01 |
| 11 | 0503010949 | W2-2000-500 PK RING G.E | | 01 |
| 12 | 0503011059 | 8-334 BACK-UP RING | | 01 |
| 13 | 0521065845 | Ø 44,45 X 839 WELDED ARTICULATOR | | 01 |
| 13A | 0571018084 | 37,80/37,90 X 48,17/48,12 X 50 SLEEVE INTER | | 01 |
| 14 | 0503010343 | 2-334 N 3006-9B O'RING | | 01 |
| 15 | 0502011899 | MOBILE COVER | | 01 |

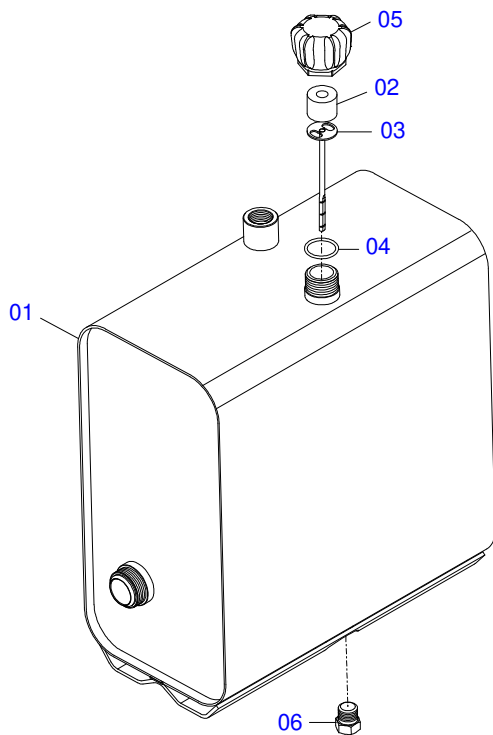


| Item | Code | Description | See page | QT |
|------|------------|---------------------|----------|----|
| 01 | 0503018034 | MALE KNEE JIC | | 01 |
| 02 | 0581014055 | ADAPTER | | 01 |
| 03 | 0503016854 | VALVE ASSY | | 01 |
| 04 | 0503010045 | O'RING | | 01 |
| 05 | 0581014054 | BSP 1/2" NIPPLE | | 01 |
| 06 | 0503030385 | CYLINDER PLUG N-002 | | 01 |

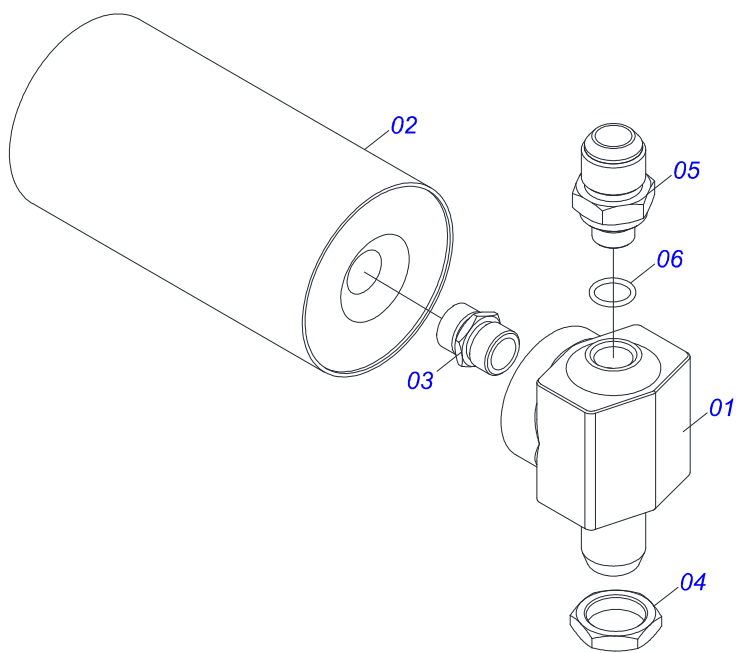


| Item | Code | Description | See page | QT |
|------|------------|---|----------|----|
| 01 | 0521046987 | FULL OIL RESERVOIR | 15 | 01 |
| 02 | 0521050247 | R.7/8 LARGER RETURN FILTER PCA/PD VTR | 16 | 01 |
| 03 | 0521045277 | 40L PUMP WITH PIPES | 19 | 01 |
| 04 | 0503030838 | 1-1/8" X 2.4" SLEEVE | | 01 |
| 05 | 0503010174 | 501028 CLAMPING RING (FOR AXLE) | | 02 |
| 06 | 0521065607 | 290 X 1.1/8 STRIATED SHAFT | | 01 |
| 07 | 0501067327 | COUPLING FLANGE | | 01 |
| 08 | 0503011313 | M 8 X 1,25 X 50 BOLT | | 06 |
| 09 | 0503010025 | 3/8" SPRING WASHER | | 06 |
| 10 | 0521046875 | 1/2 COMPLETE JOYSTICK CONTROL VTRA 20 75/85/950 SHT | | 01 |
| 11 | 0501014090 | 1 X 1450 AB-AB HOSE | | 01 |
| 11A | 0503018722 | JIC CURVE TERMINAL FOR HOSE 1" | | 02 |
| 11B | 0503010243 | CLAMP | | 02 |
| 12 | 0501080892 | 3/4 X 2500 TC-TC HOSE | | 01 |
| 13 | 0521067470 | TANK OUTLET TUBE VTR A750 S1015 | | 01 |
| 14 | 0581013403 | R.1.1/6 UNC HOSE NOZZLE FOR 1.1/4 HOSE PCA/PD SHT VTR A750 | | 01 |
| 15 | 0503011109 | 2-119 N 3006-9B O'RING | | 01 |
| 16 | 0503010243 | CLAMP | | 02 |
| 17 | 0501013456 | 1.1/4 X 1600 AB-AB HOSE | | 01 |
| 18 | 0501080113 | 1/2 X600 HOSE TR-TC | | 01 |
| 19 | 0501081235 | 1/2 X 650 TR- TC HOSE | | 01 |
| 20 | 0501080218 | 1/2 X 750 HOSE | | 01 |
| 21 | 0511014065 | 7/8" NF X R1/2NPT X 52 NIPPLE | | 04 |
| 22 | 0503010045 | O'RING | | 04 |
| 23 | 0503011628 | FEMALE QUICK COUPLER | | 04 |
| 24 | 0501053834 | MALE QUICK COUPLER WITH CAP - 1/2 NPT | 21 | 04 |
| 25 | 0503010045 | O'RING | | 04 |
| 26 | 0511014065 | 7/8" NF X R1/2NPT X 52 NIPPLE | | 04 |

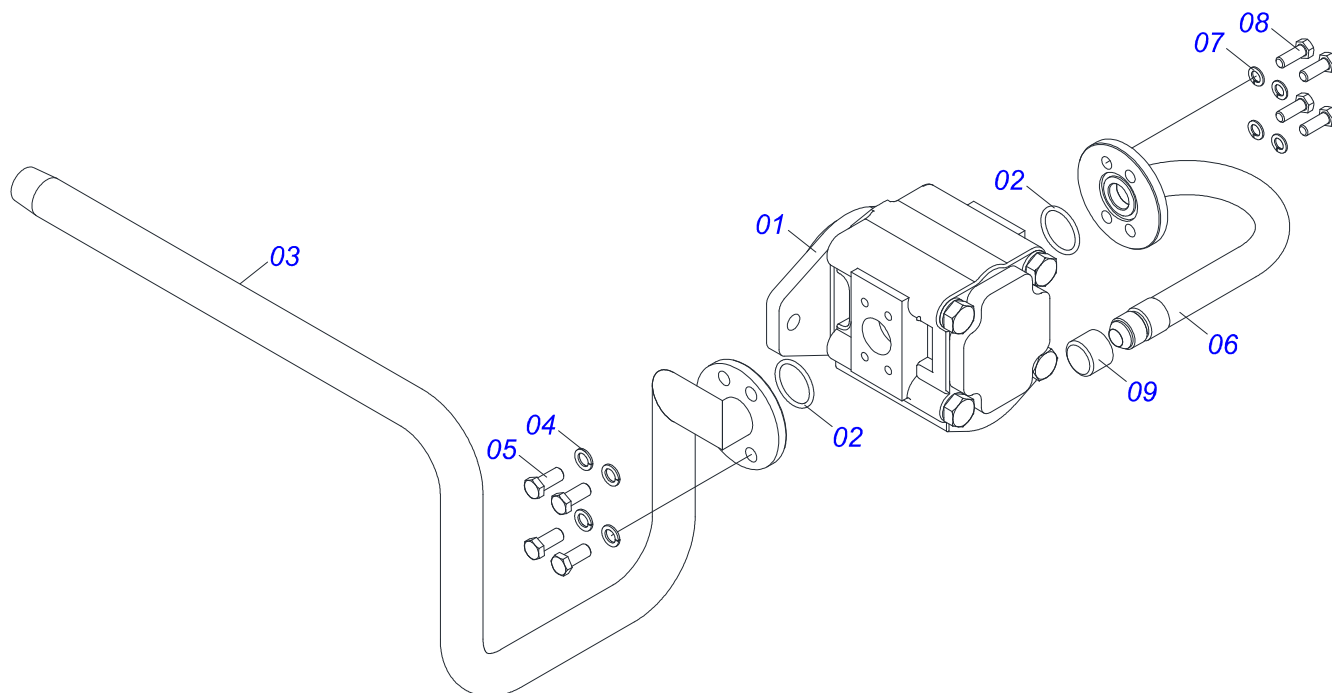
FULL OIL RESERVOIR



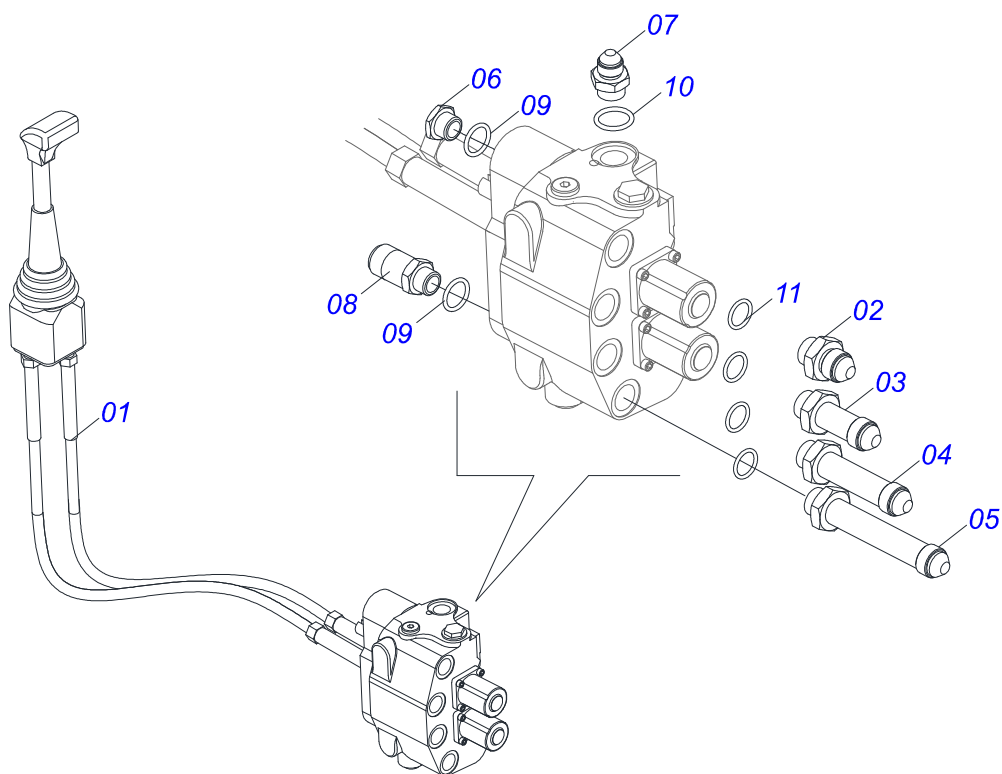
| Item | Code | Description | See page | QT |
|------|------------|------------------------|----------|----|
| 01 | 0501068880 | OIL RESERVOIR | | 01 |
| 02 | 0503030044 | FILTERING ELEMENT | | 01 |
| 03 | 0501060975 | OIL GAGE | | 01 |
| 04 | 0503010185 | 2-221 N 3006-9B O'RING | | 01 |
| 05 | 0502020472 | FRONTAL COVER | | 01 |
| 06 | 0503031604 | 1/2" BSP PLUG | | 01 |



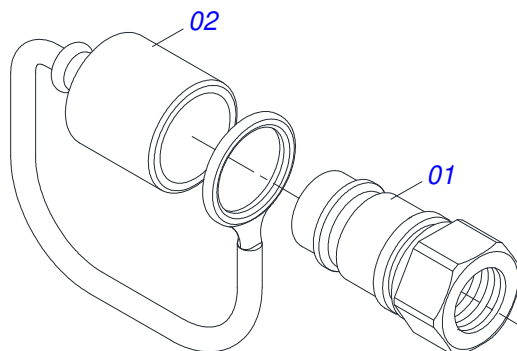
| Item | Code | Description | See page | QT |
|------|------------|---|----------|----|
| 01 | 0581013367 | RETURN FILTER HEAD R.7/8 PCA/PD | | 01 |
| 02 | 0503010183 | RETURNING FILTER | | 01 |
| 03 | 0501010595 | 1" NF NIPPLE | | 01 |
| 04 | 0501010594 | 1" NUT | | 01 |
| 05 | 0581013366 | R.1.5/16 X R.7/8 X 64 SEXT 1.1/2 NIPLE VTR A750 | | 01 |
| 06 | 0503010045 | O'RING | | 01 |



| Item | Code | Description | See page | QT |
|------|------------|------------------------------------|----------|----|
| 01 | 0503060153 | 40L 1/2" PUMP | | 01 |
| 02 | 0503010173 | 2-220 N 3006-9B O'RING | | 02 |
| 03 | 0521065608 | SUCTION DUCT PCA VTR A750/A950 | | 01 |
| 04 | 0503010180 | 7/16" SPRING WASHER | | 04 |
| 05 | 0503010355 | 7/16" X 1" BOLT | | 04 |
| 06 | 0521065615 | PUMP PRESSURE LINE CA VTR A750/950 | | 01 |
| 07 | 0503010025 | 3/8" SPRING WASHER | | 04 |
| 08 | 0503011087 | 3/8" X 1" BOLT | | 04 |
| 09 | 0503030388 | PLUG N-005 | | 01 |



| Item | Code | Description | See page | QT |
|------|------------|--|----------|----|
| 01 | 0503062624 | COMPLETE JOYSTICK CONTROL SDM122/2 | | 01 |
| 02 | 0501010590 | NIPPLE | | 01 |
| 03 | 0581013293 | 7/8 NF (SEXT. 1" X 73) NIPPLE VTR A750/85/950 | | 01 |
| 04 | 0581013292 | R.7/8 NF (SEXT 1" X 98) NIPLE VTR A750/85/950 | | 01 |
| 05 | 0581013291 | R.7/8 NF (SEXT 1" X 123) NIPLE VTR A750/85/950 | | 01 |
| 06 | 0501015335 | 1.1/16" UN X 22 PLUG PD SHT | | 01 |
| 07 | 0581013289 | R.1.1/16 UN X 1/2 BSP X 52 VTR A750/85/950 | | 01 |
| 08 | 0581013290 | R.1.5/16 X R.1.1/16 X 90 SEXT 1.1/2 NIPLE VTR A750 | | 01 |
| 09 | 0503011109 | 2-119 N 3006-9B O'RING | | 02 |
| 10 | 0503010045 | O'RING | | 01 |
| 11 | 0503010190 | 2-114 N 3006-9B O'RING | | 04 |



| Item | Code | Description | See page | QT |
|------|------------|--------------------------------|----------|----|
| 01 | 0503011627 | MALE QUICK COUPLER AGR 1/2 NPT | | 01 |
| 02 | 0503011882 | MALE QUICK COUPLER CAP | | 01 |



MARCHESAN

Technical Publications | Elaboration and Revision
JOÃO VIRGINIO ROCHA

www.marchesan.com.br

